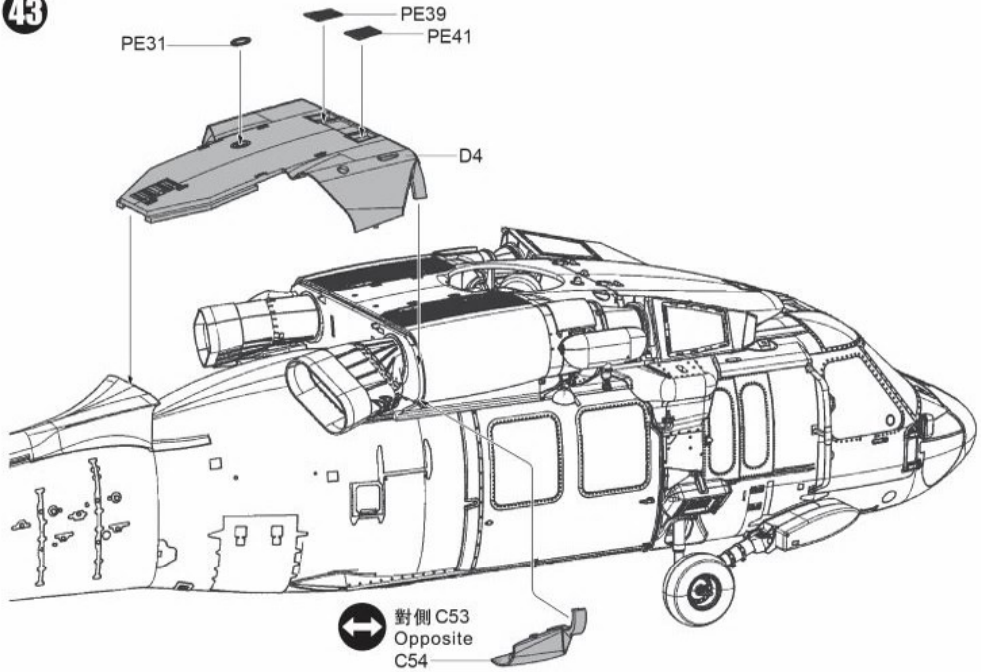
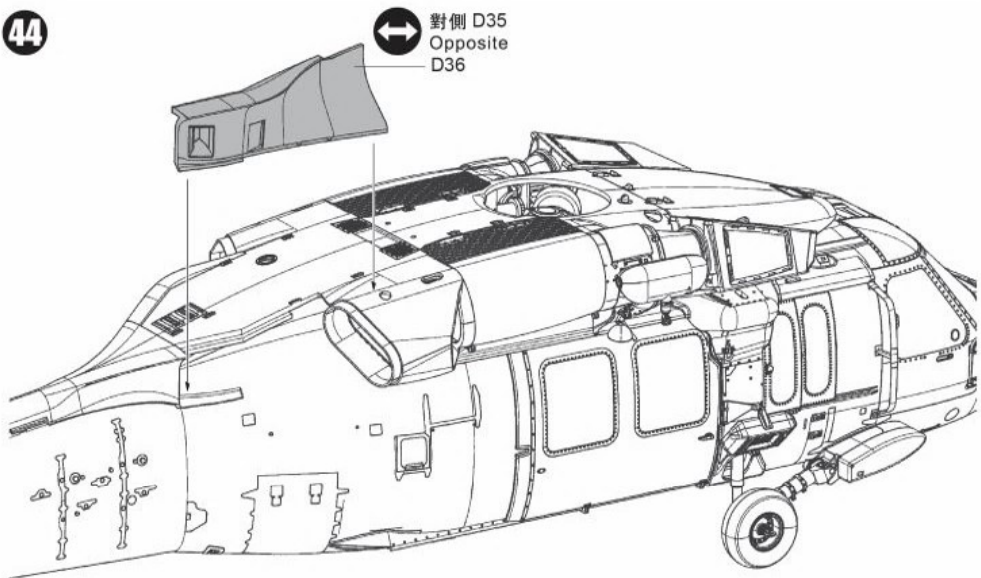


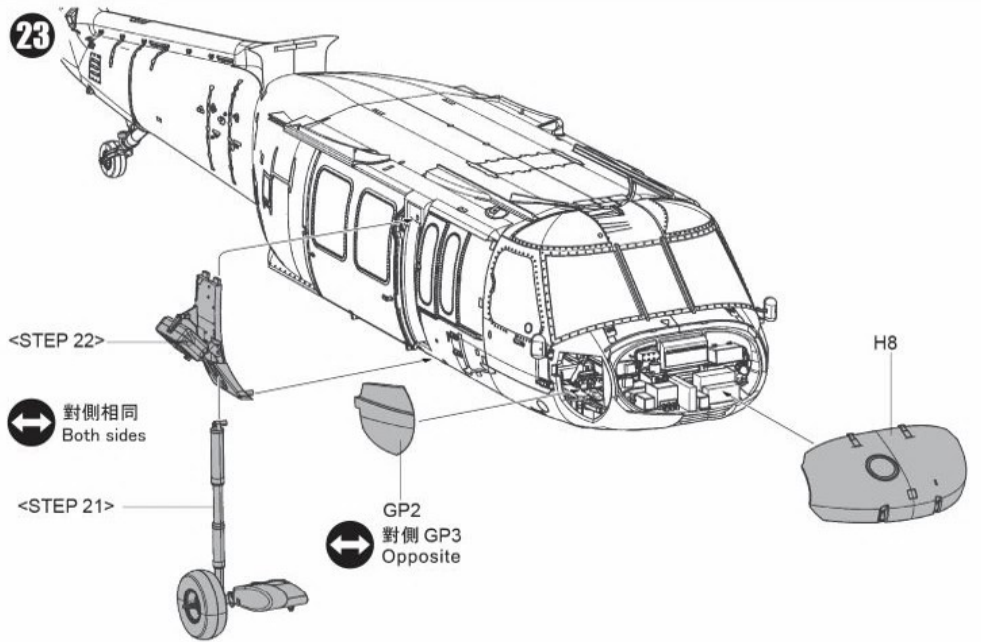
43



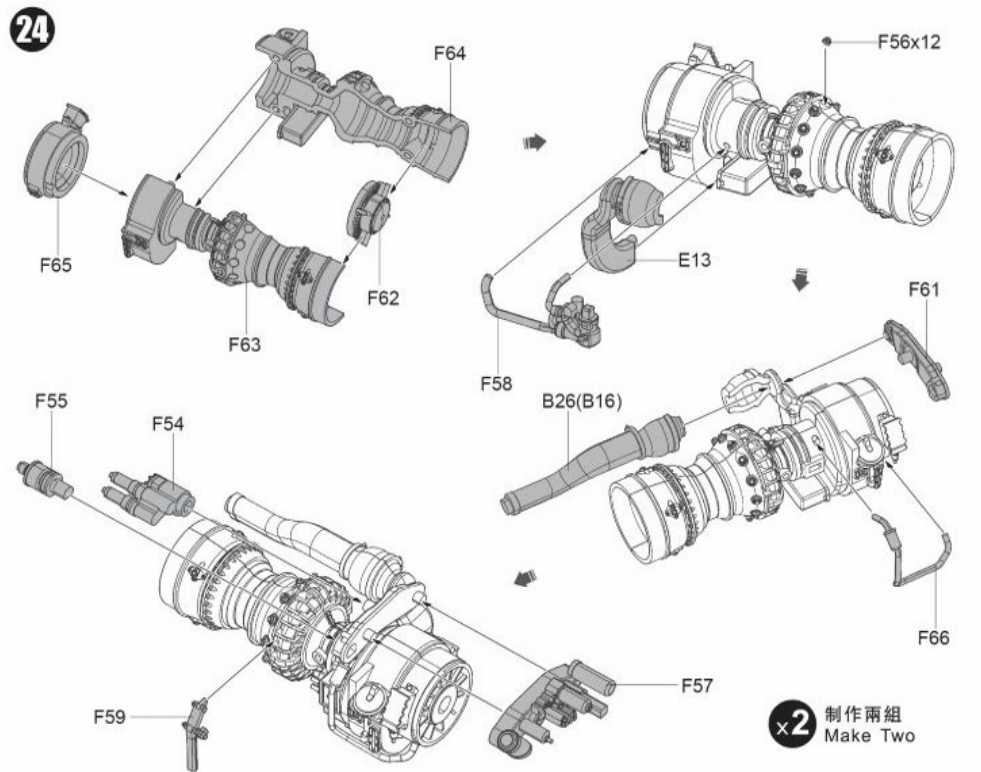
44

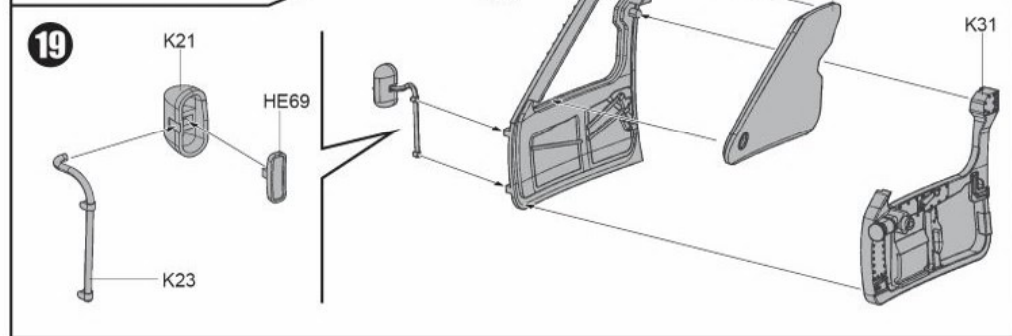
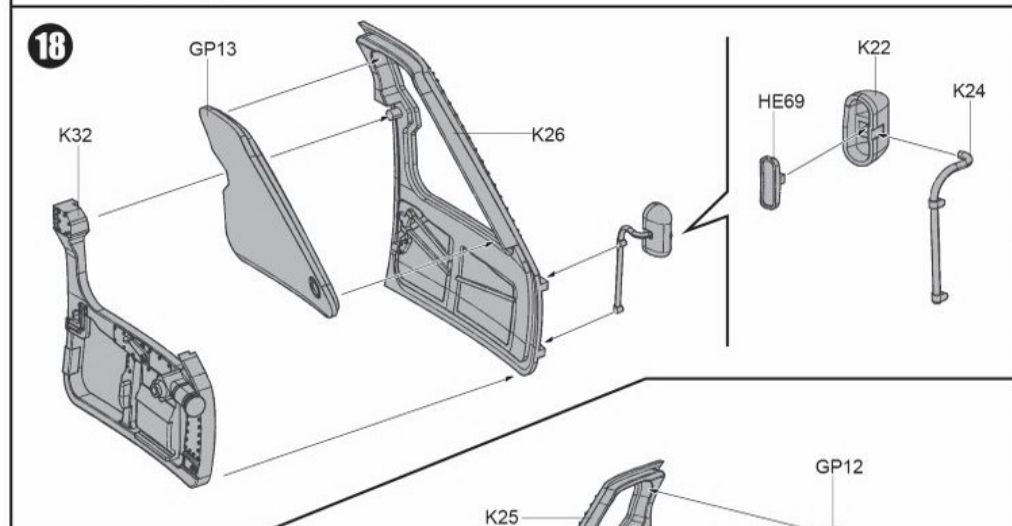
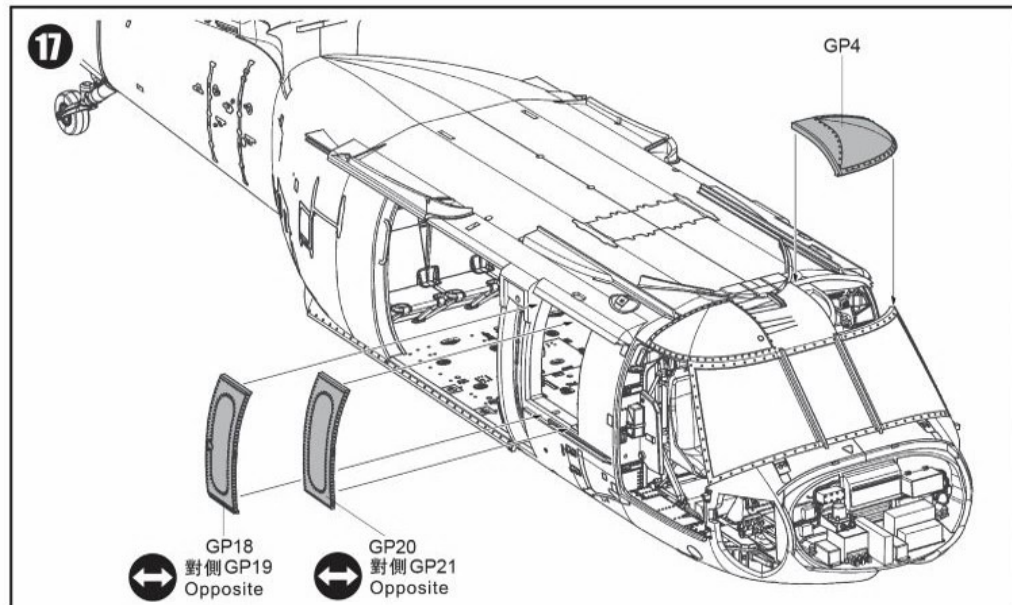
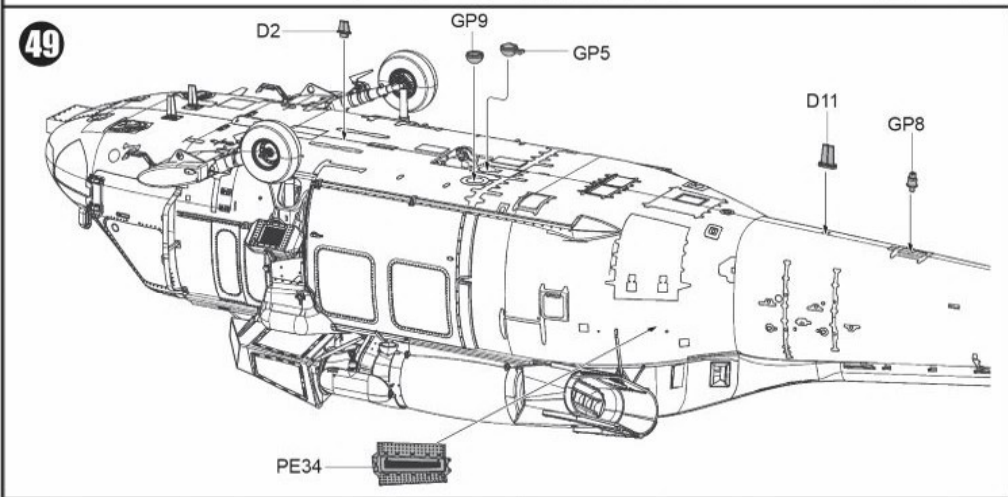
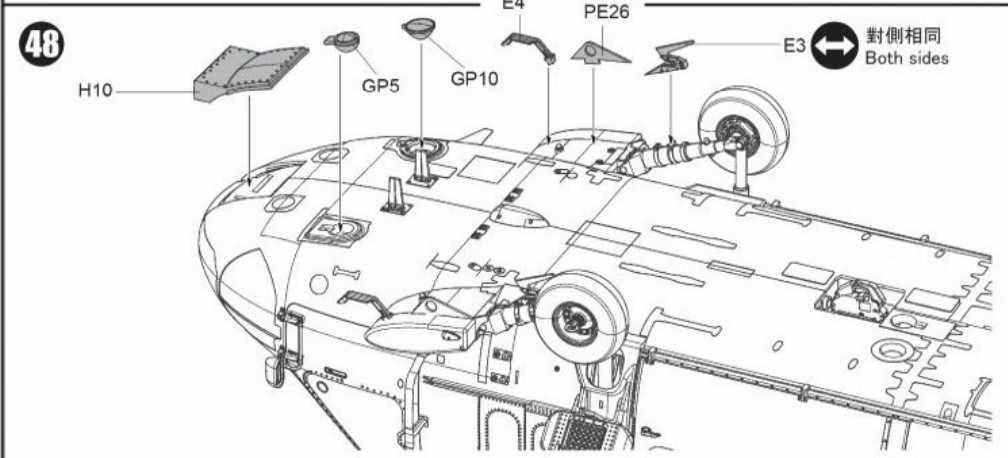
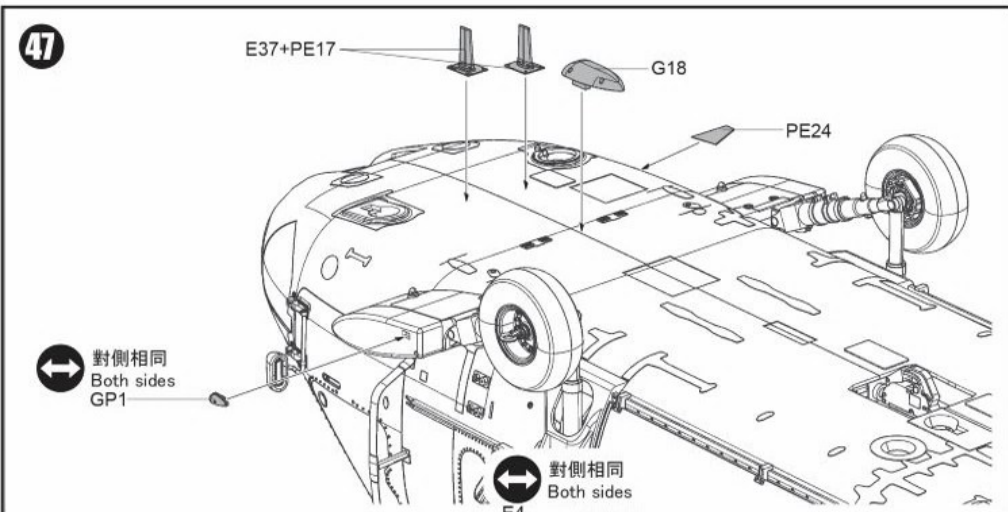


23

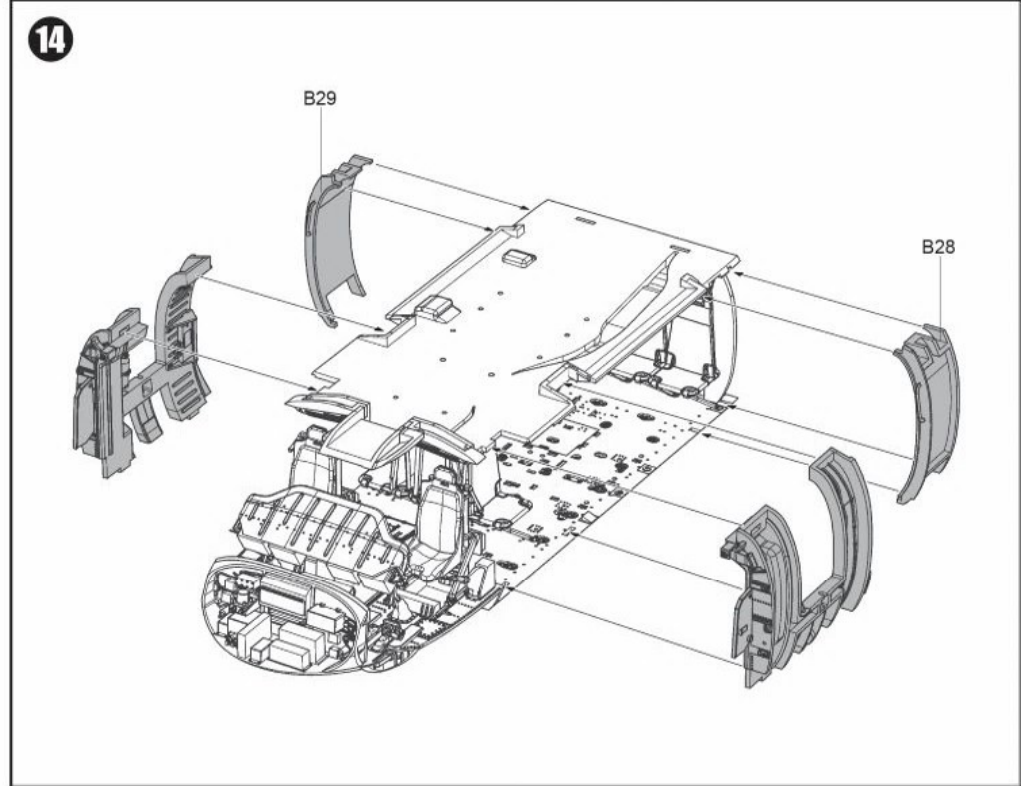
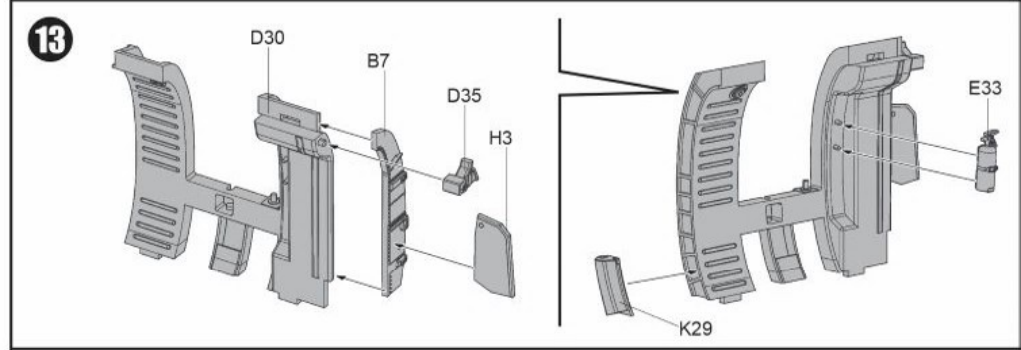
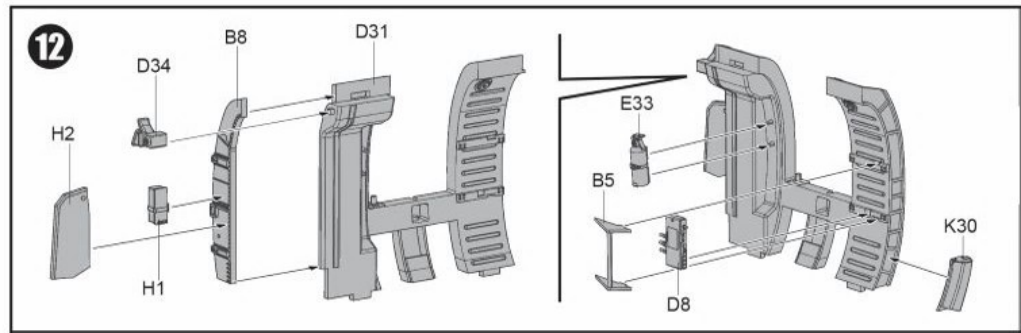
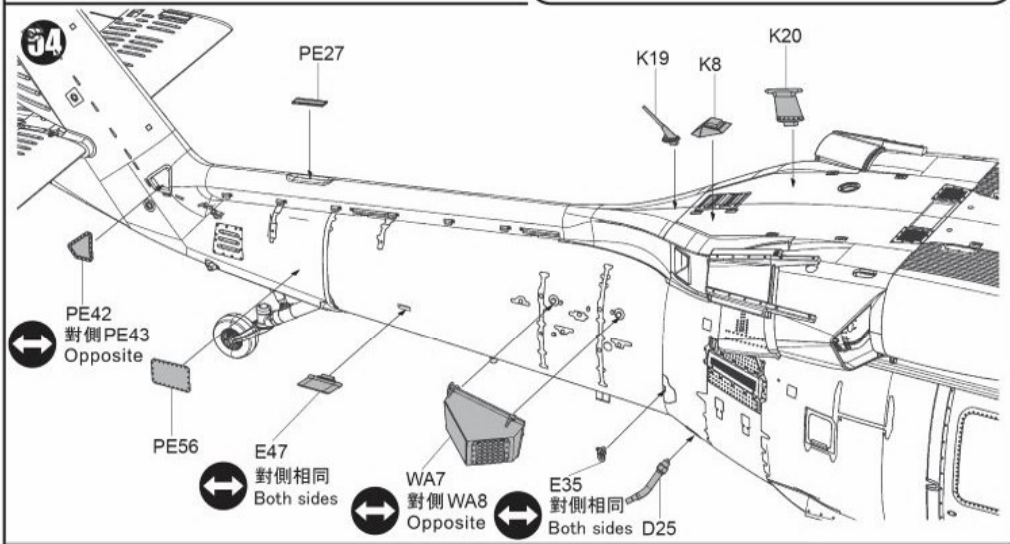
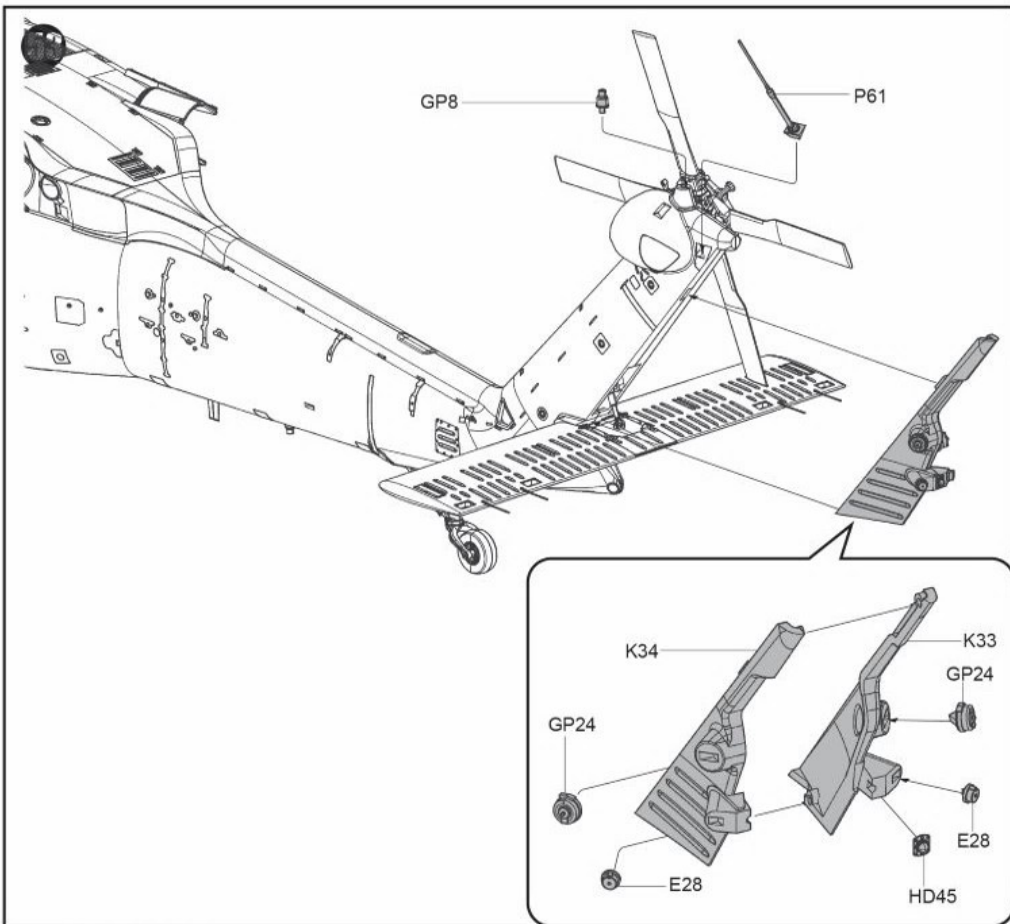


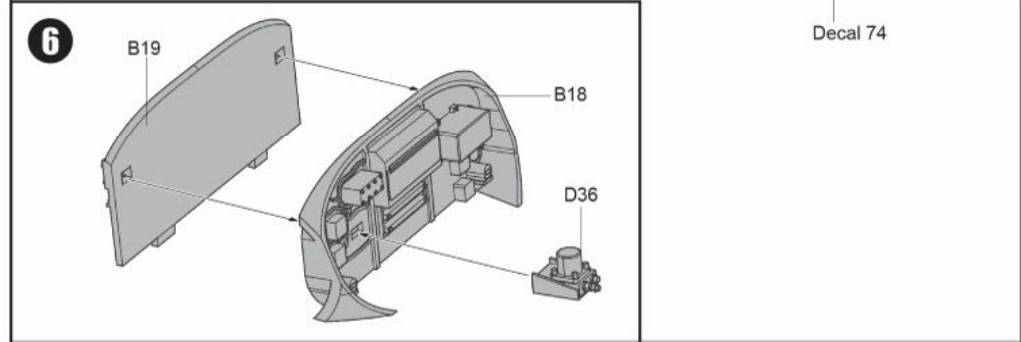
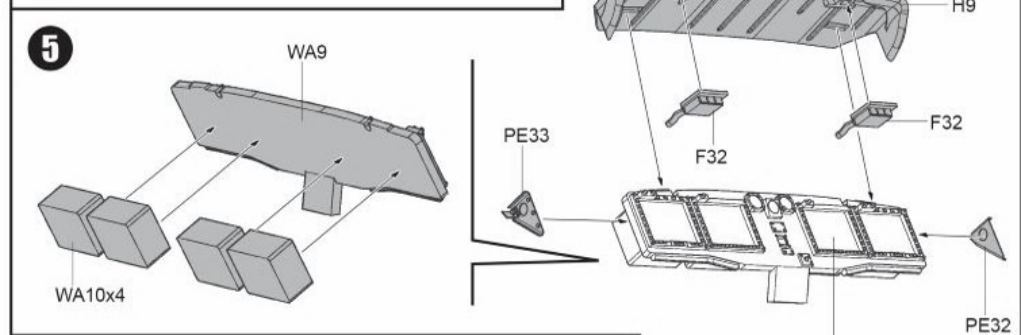
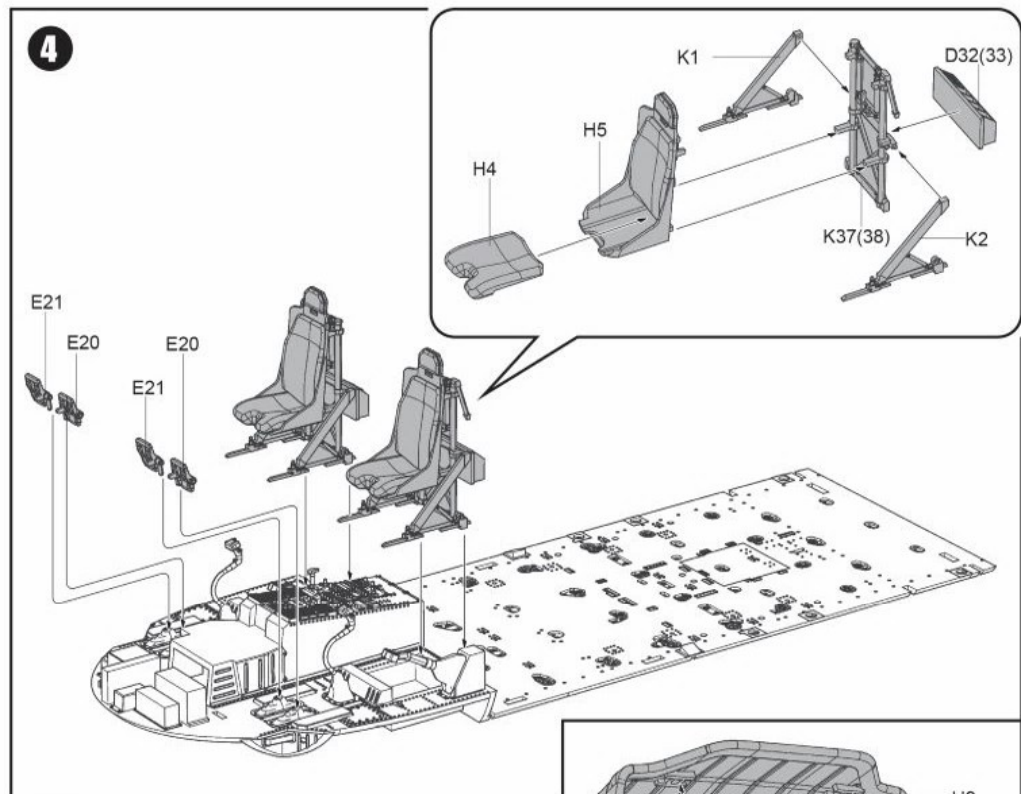
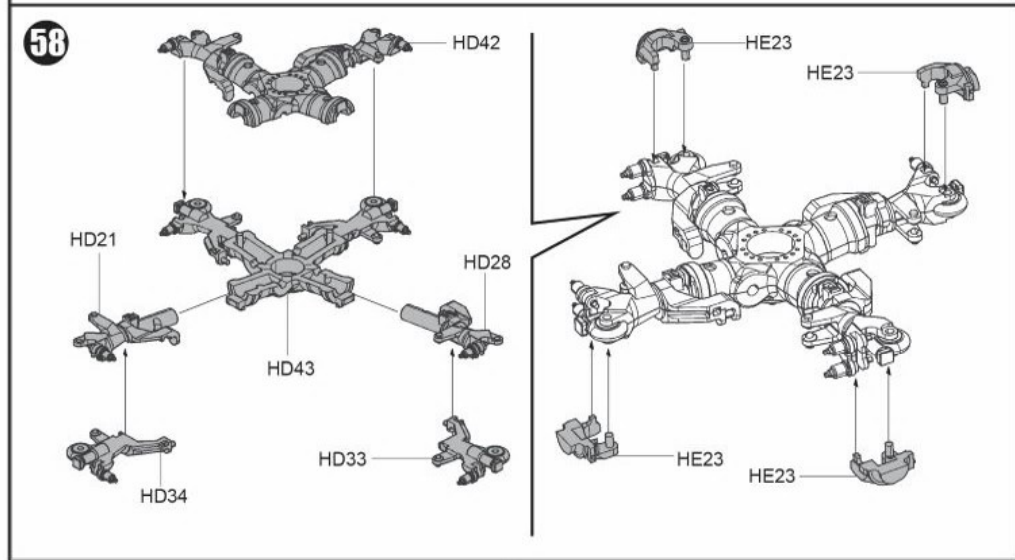
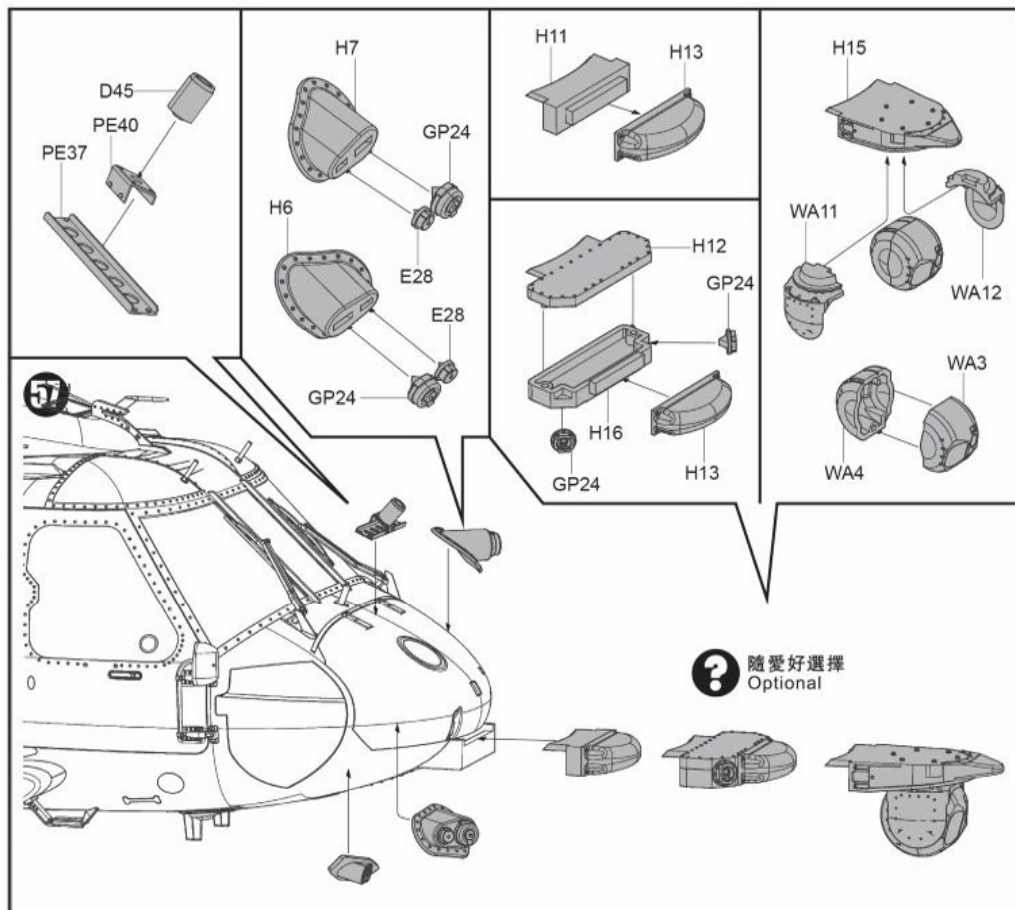
24



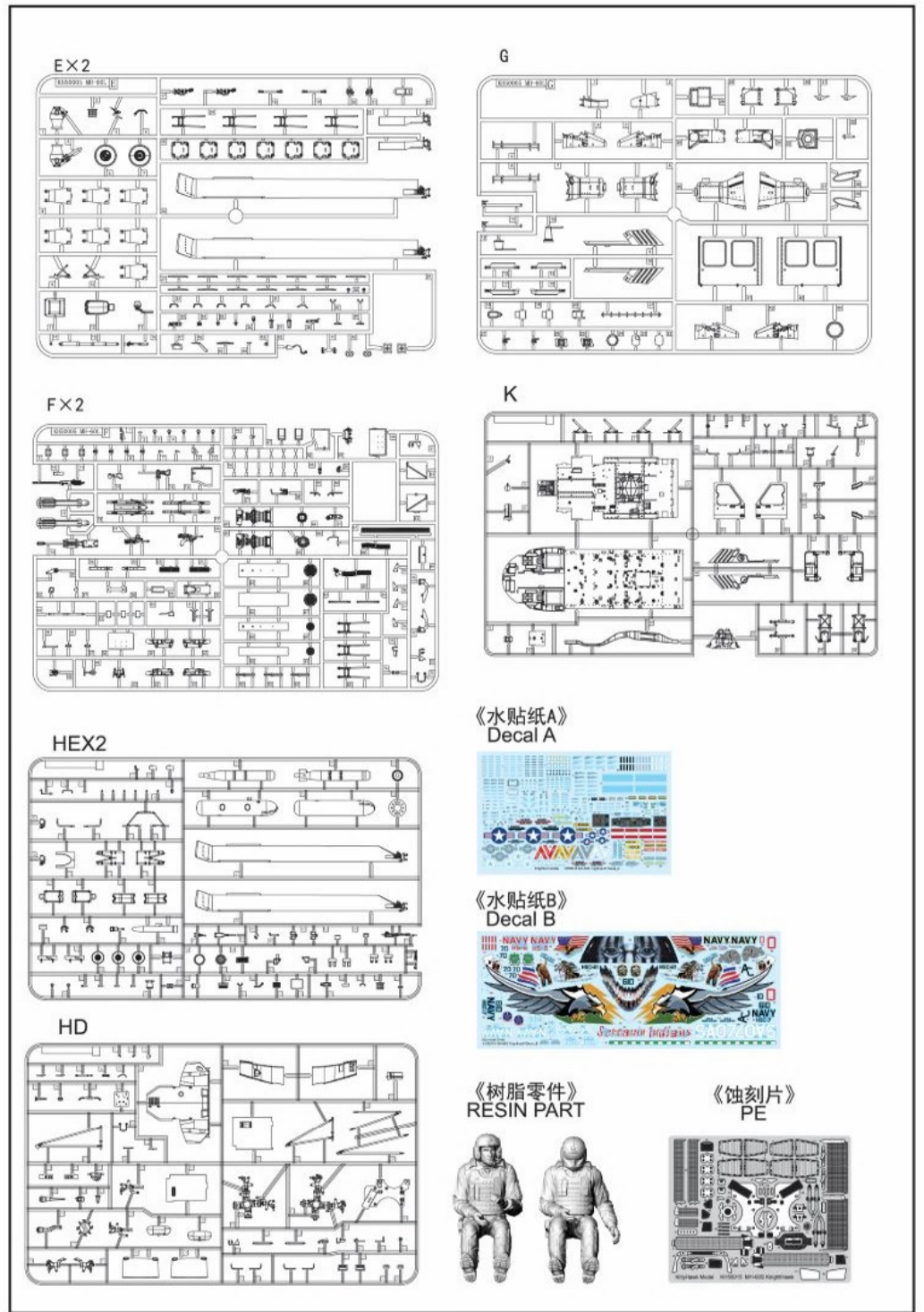
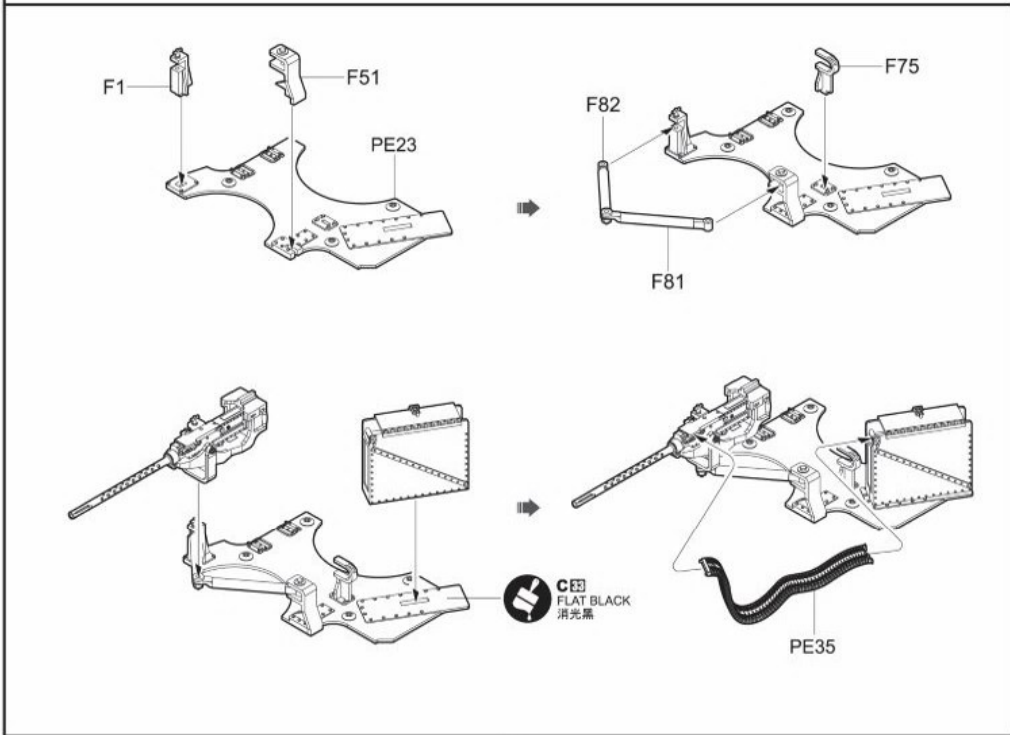
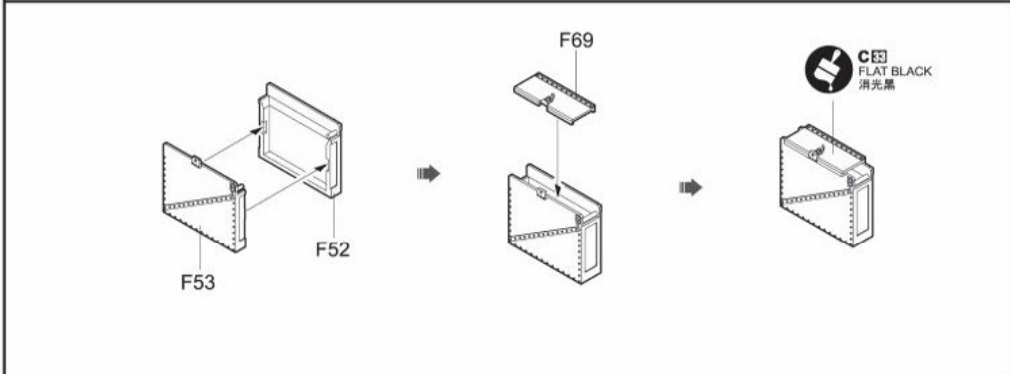
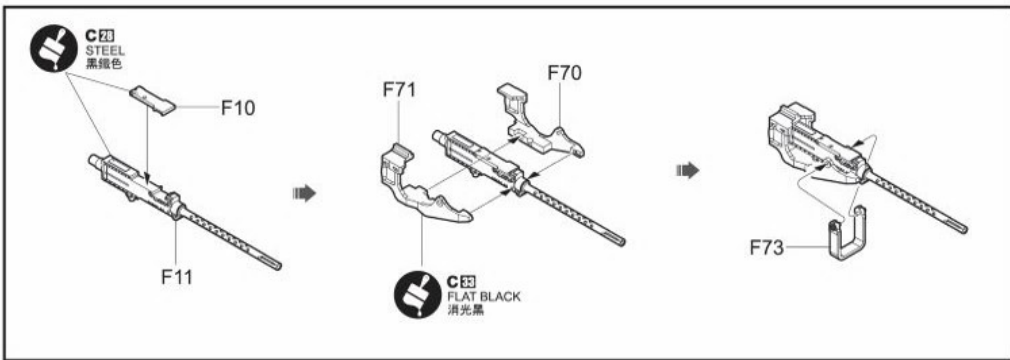


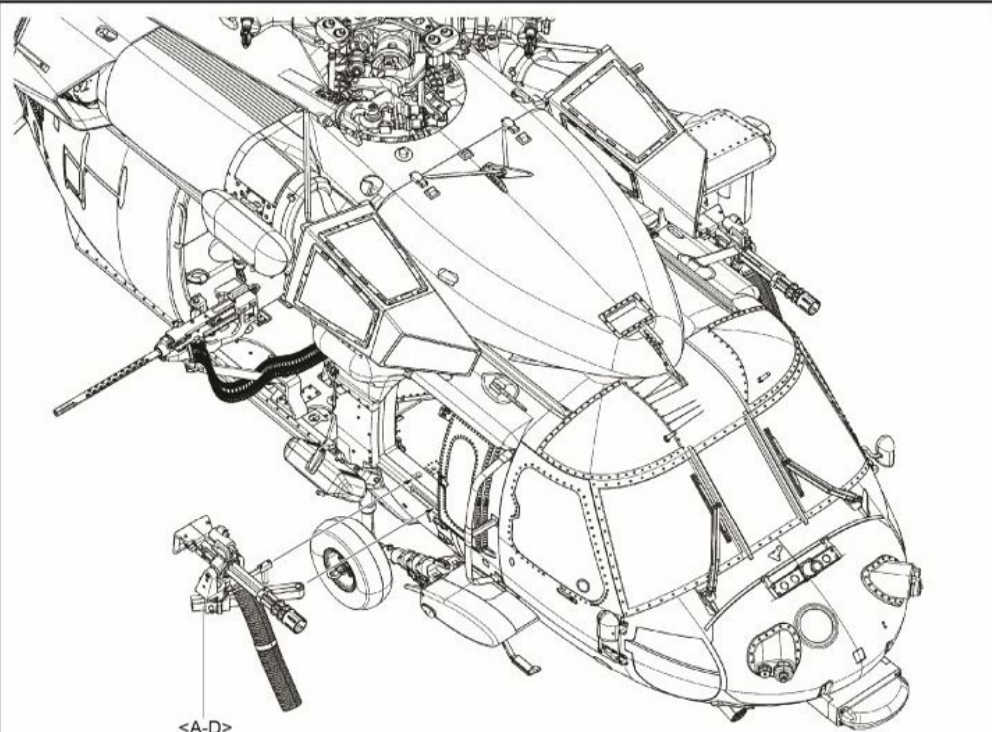












<A-D>  
 對側<A-E>  
 Opposite

**Instruction**  
 模型拼裝說明書 1:35 Scale



# MH-60S Knighthawk



1:35 SH-60B “海鷹” 直升機



淘宝展示店

kittyhawkmodel@vip.sina.com  
 elitetorn@126.com

KH50015



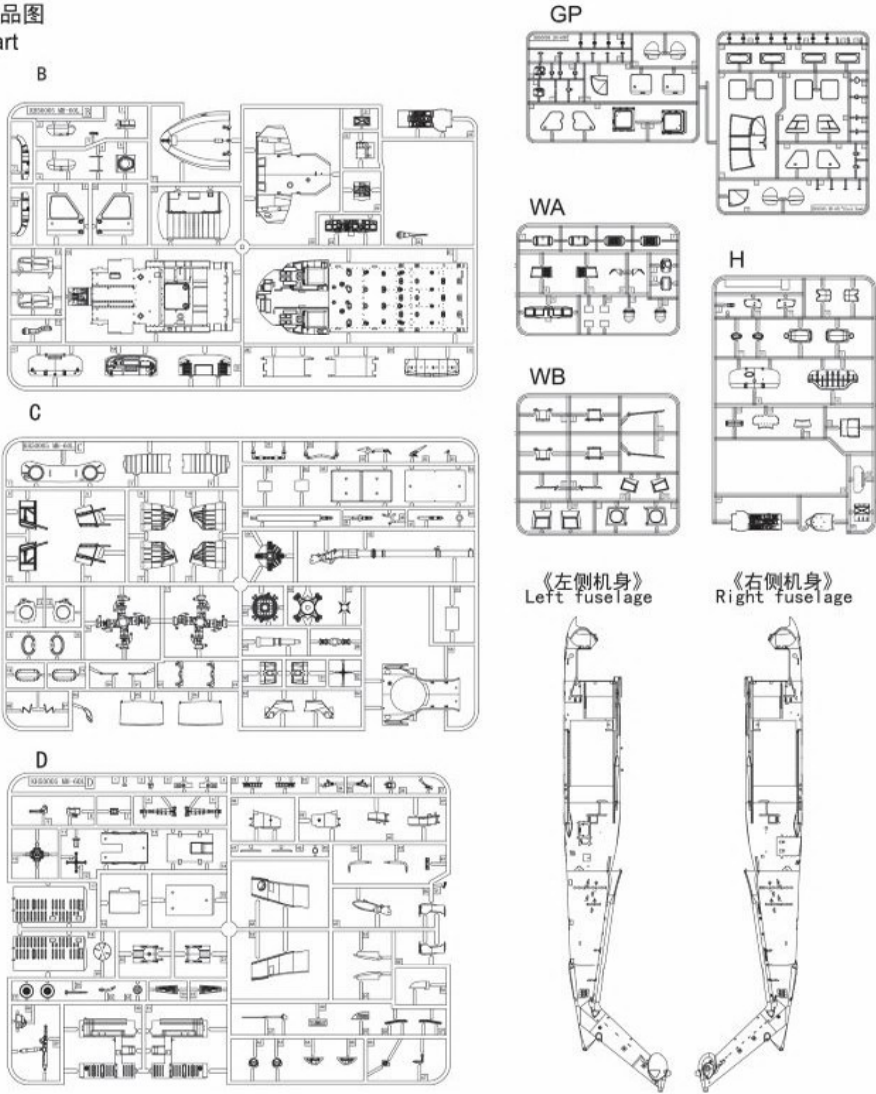
**READ BEFORE ASSEMBLY**

在組合您的模型之前，請充分閱讀本冊說明書。組合模型您需要如下物品（需另購）：模型膠水；一把模型鉗或一把用于將零件從框架上切下的模型筆刀。筆刀同樣可以用來修整零件的合模線。祝您制作愉快！

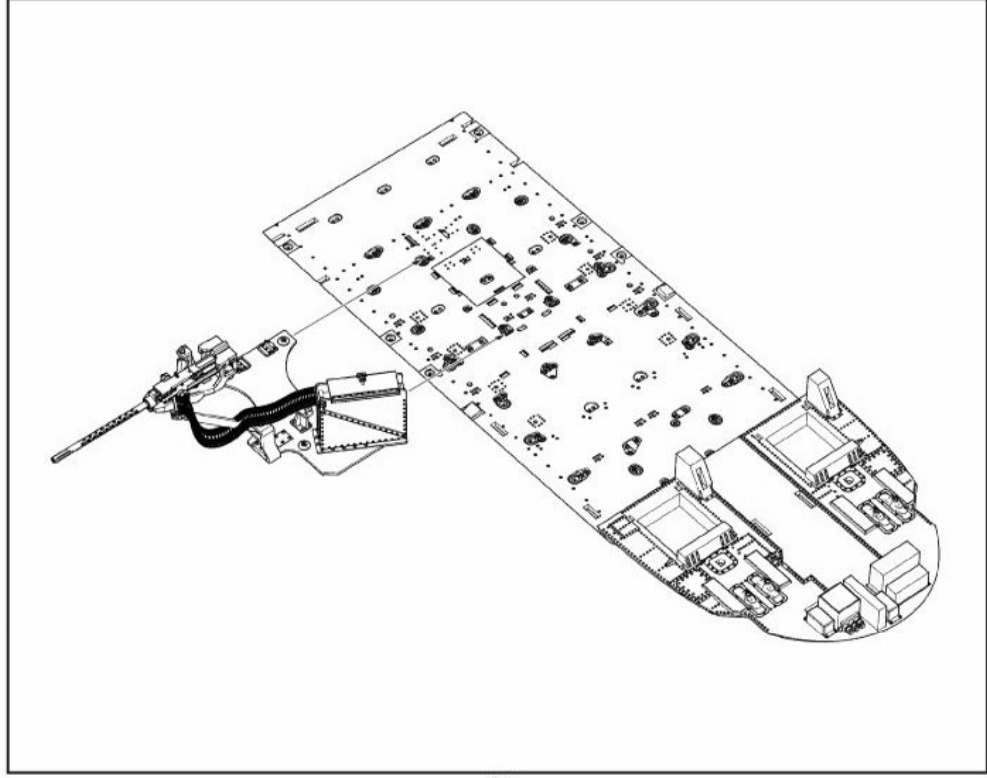
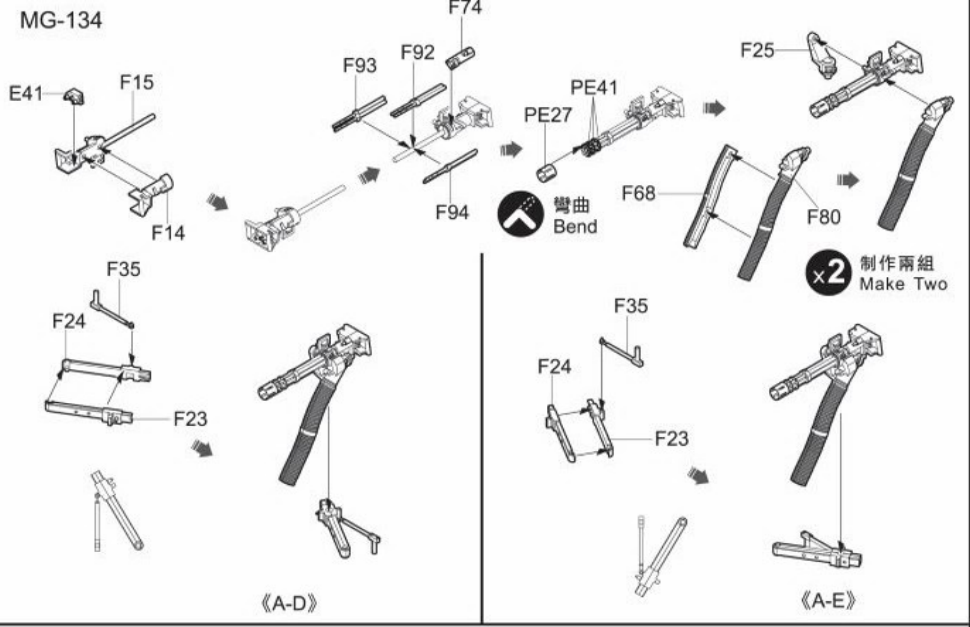
Before assembling your model kit, read through these instructions carefully. To assemble this kit, you will need Plastic glue (not included). A pair of side cutter or a sharp modelling knife is required for removing parts from the frame. Plastic mold lines can be removed with the modelling knife.

-  請注意  
Special instructions
-  隨愛好選擇  
Optional
-  組合完成  
Finished Assembly
-  彎曲  
Bend
-  制作兩組  
Make Two
-  鉆孔  
Make Hole
-  塗色  
Painting
-  無需膠粘  
Do Not Cement
-  切除  
Cut
-  對側  
Opposite

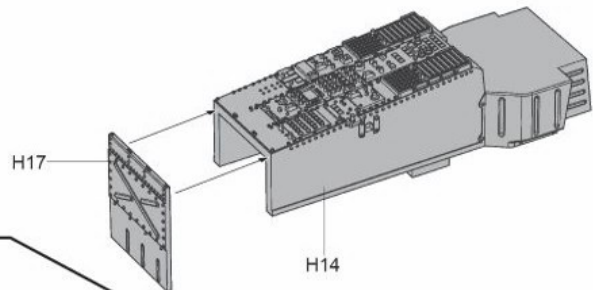
部品圖  
Part



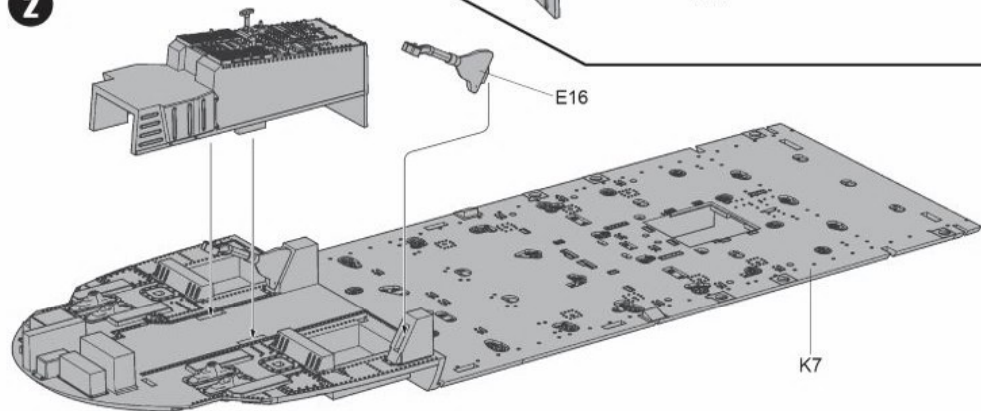
MG-134



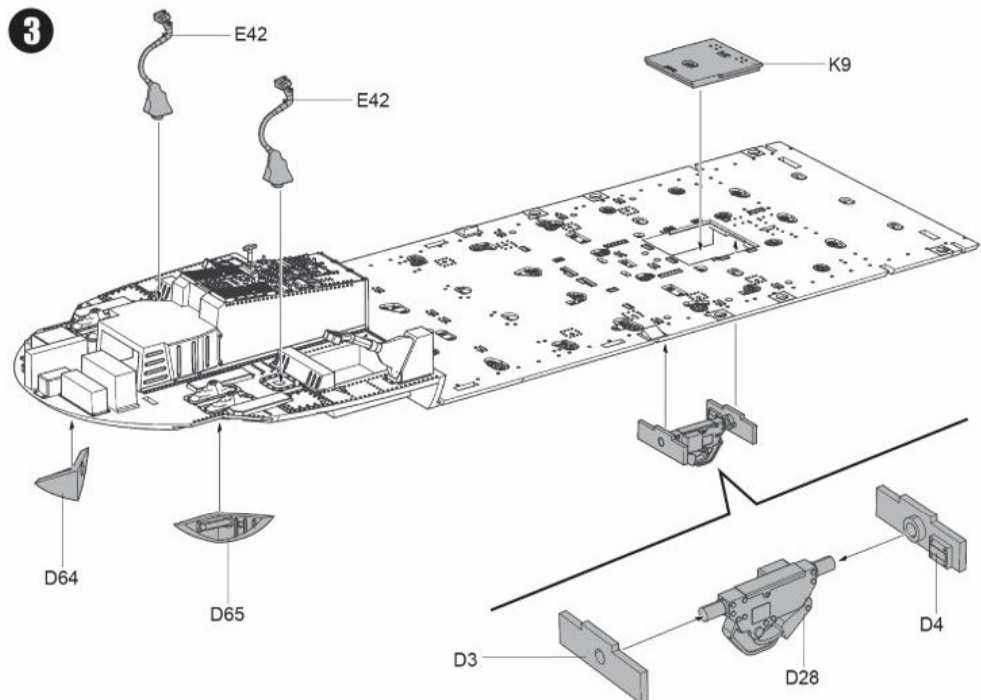
1



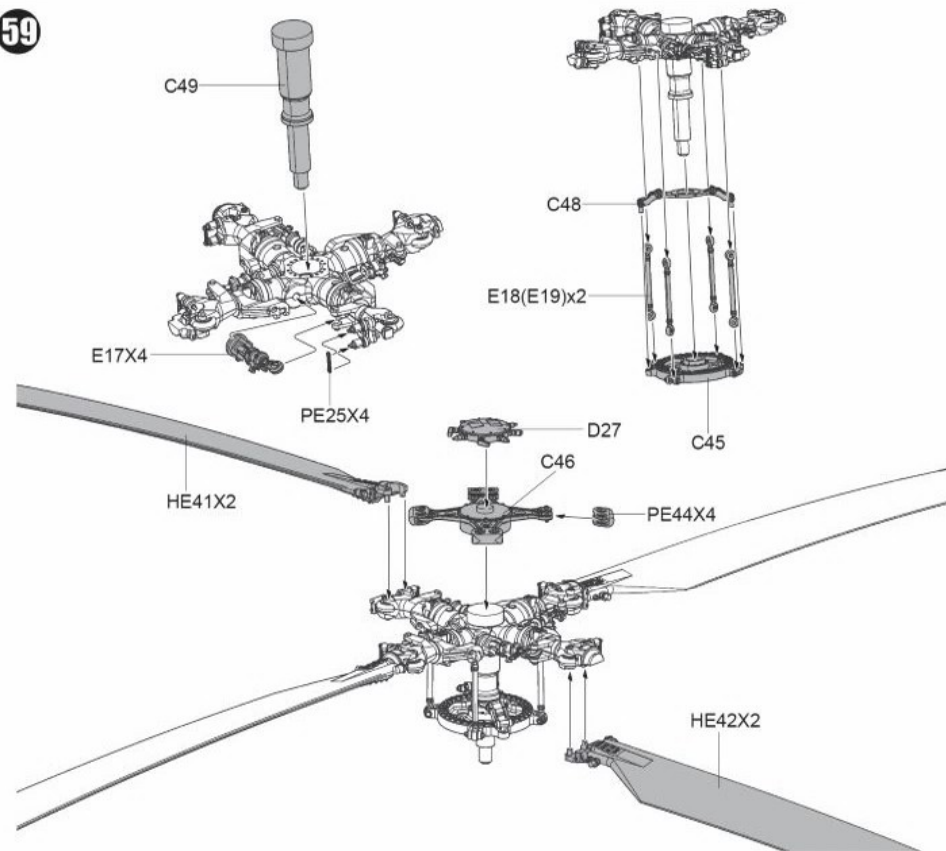
2



3



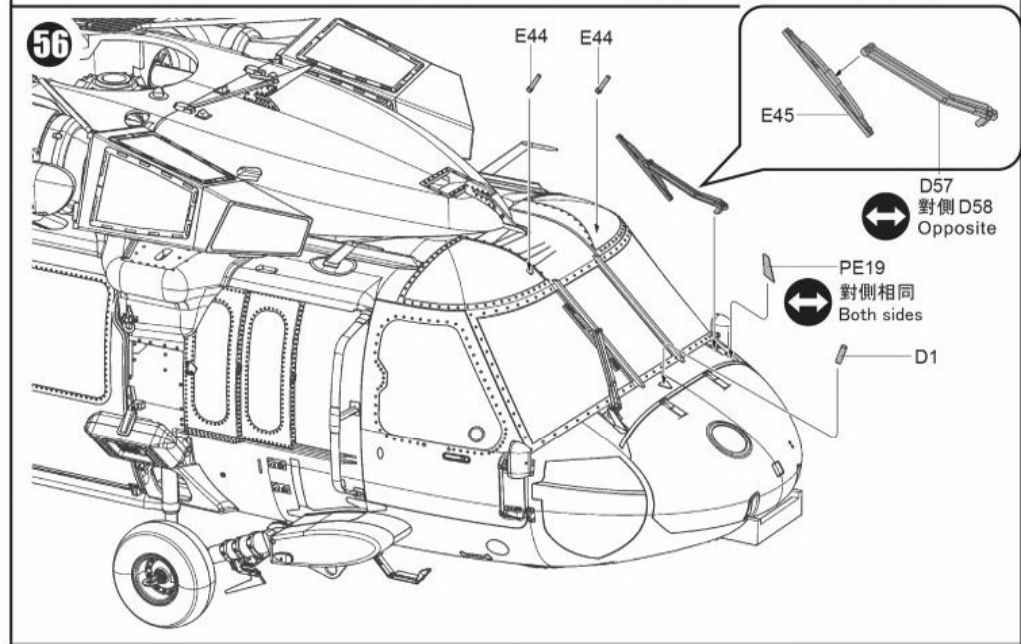
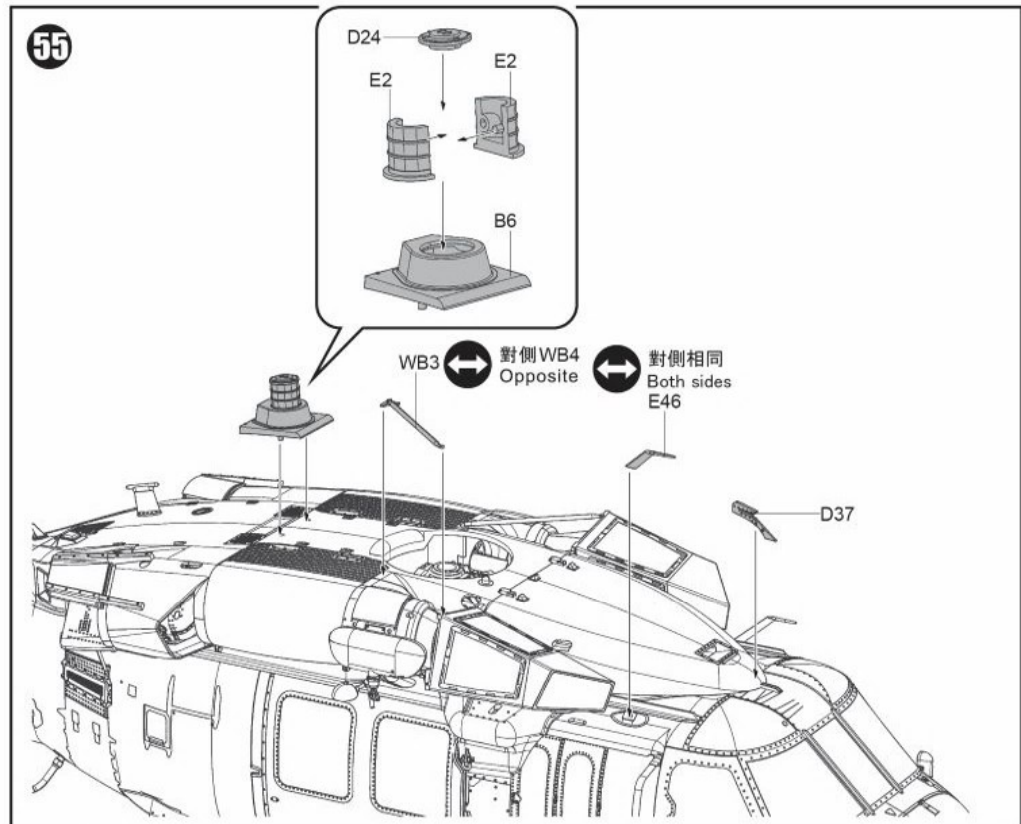
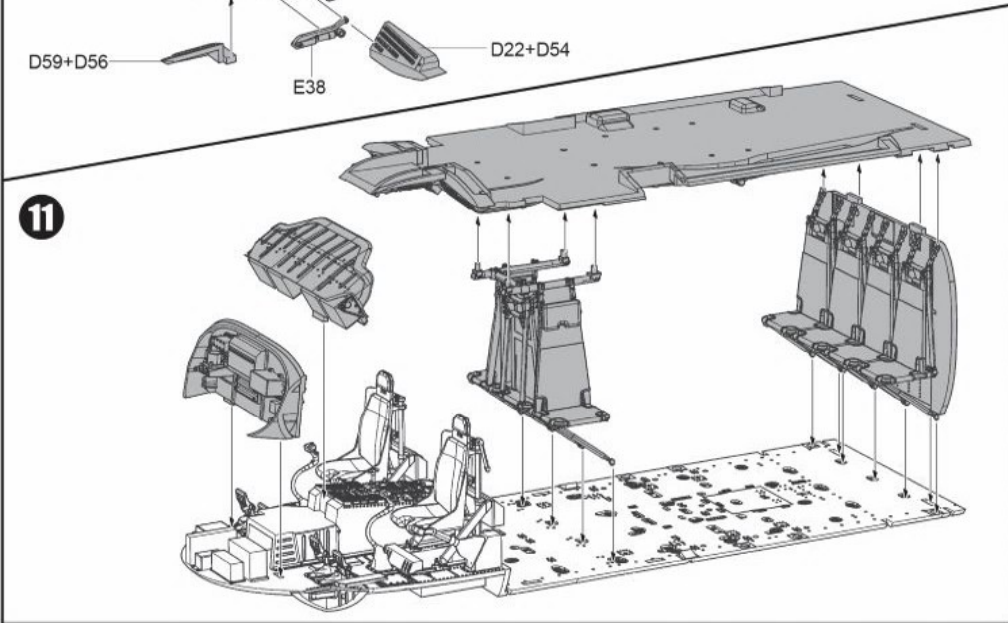
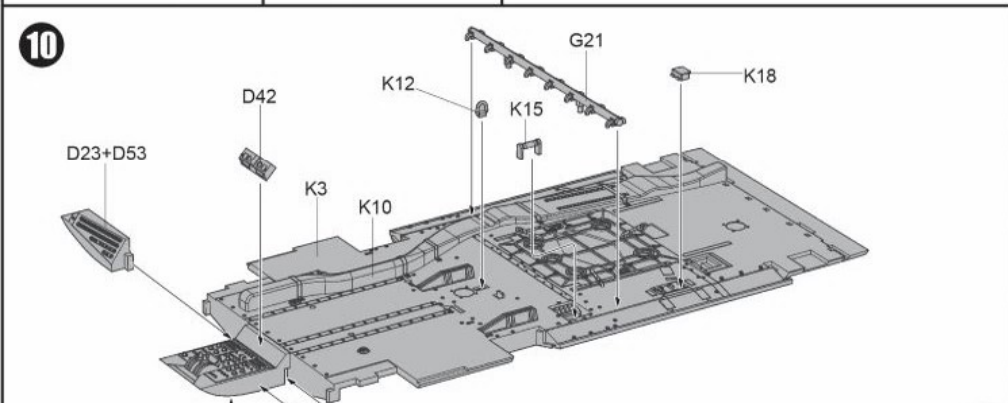
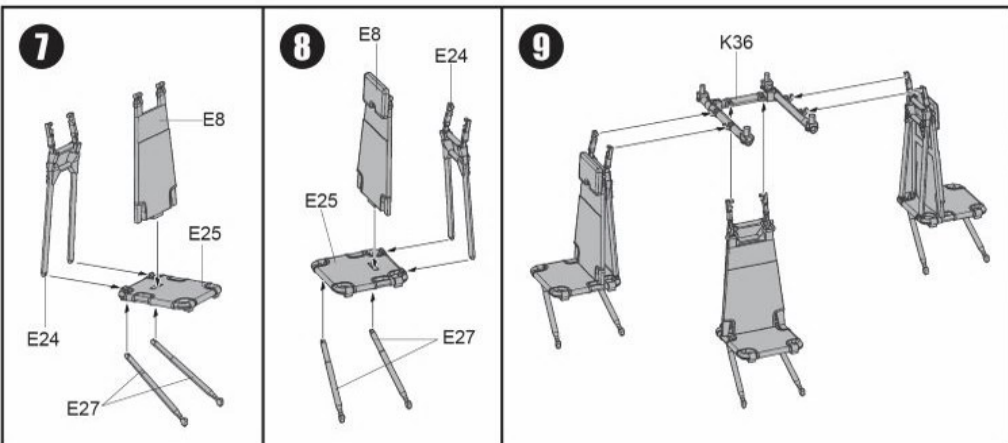
59



60

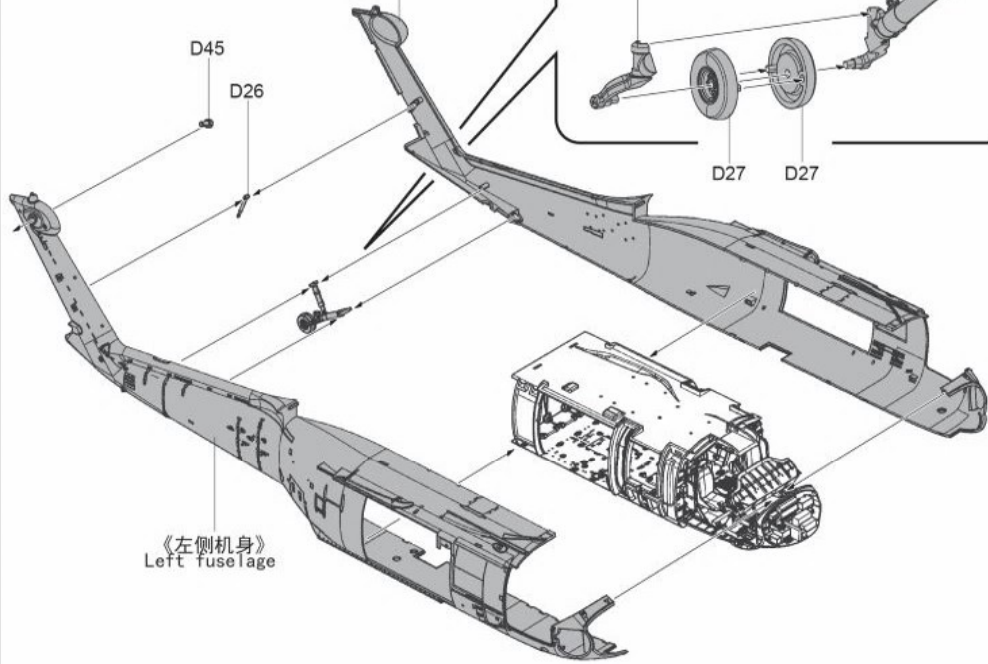






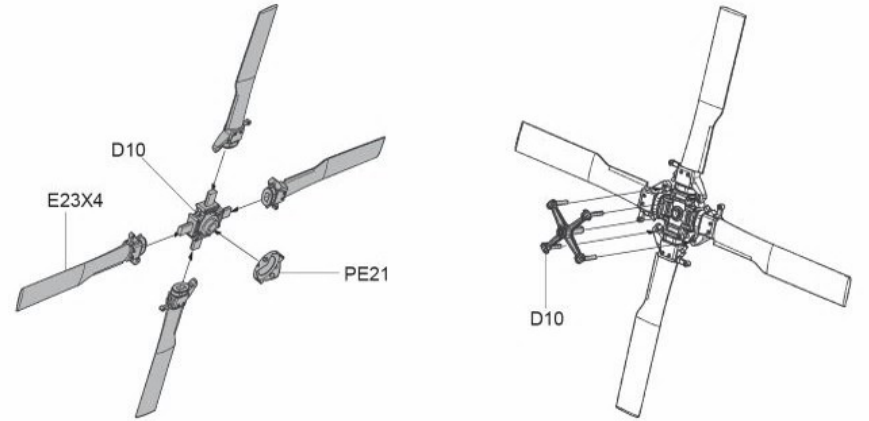
15

《右侧机身》  
Right fuselage

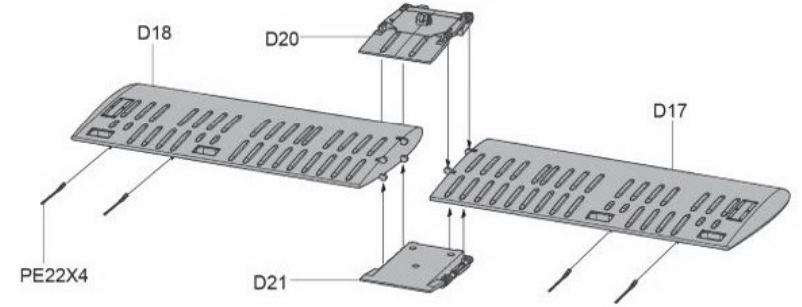


《左侧机身》  
Left fuselage

50

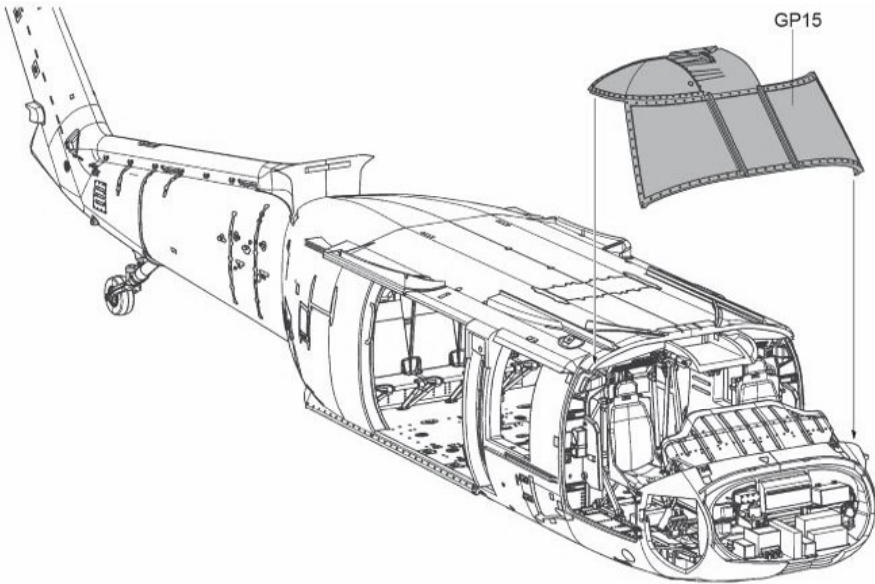


51

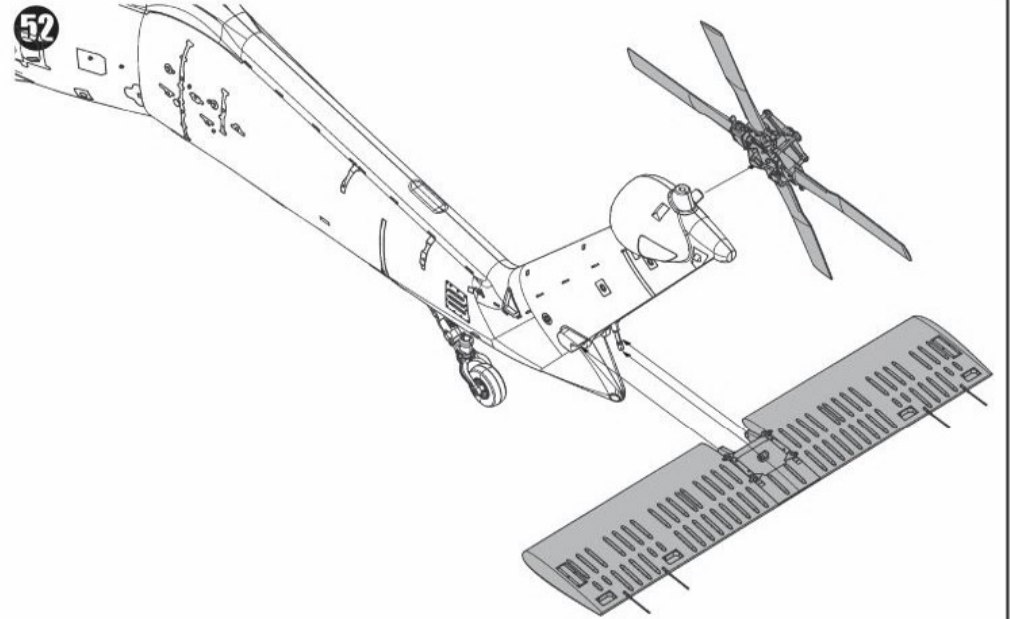


16

GP15

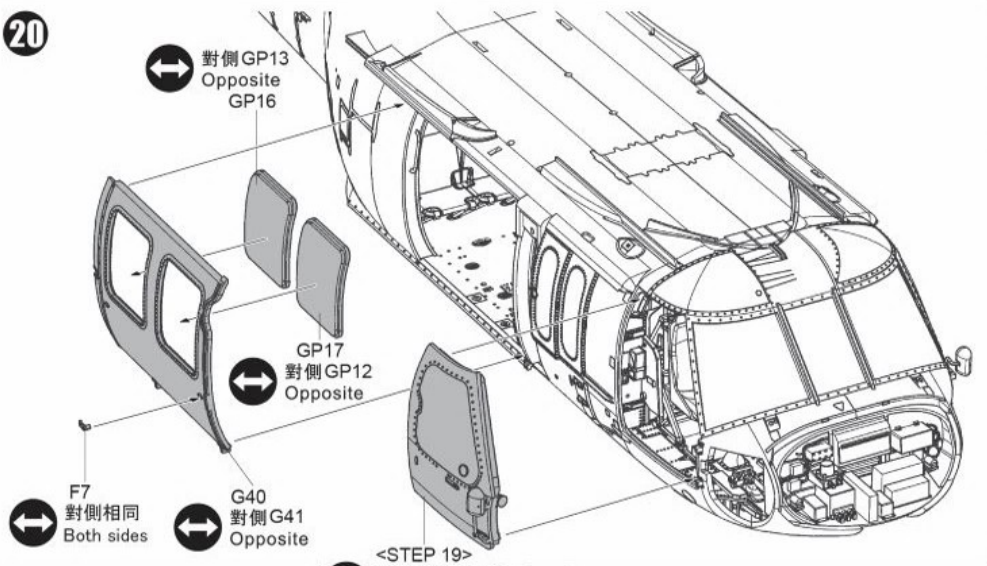


52

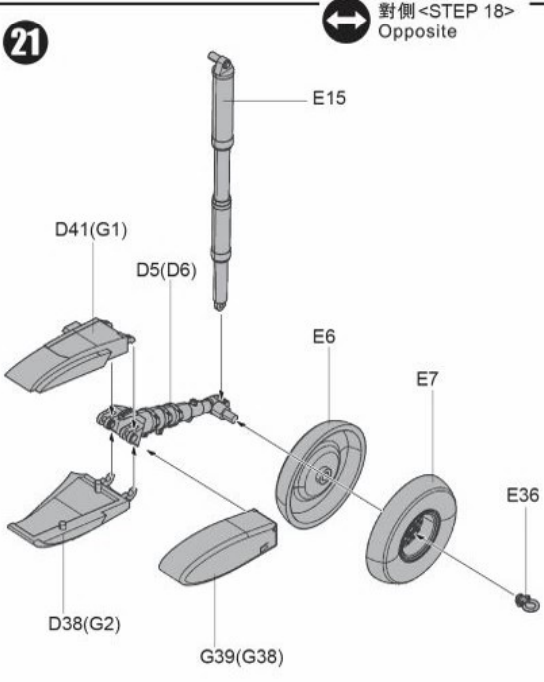




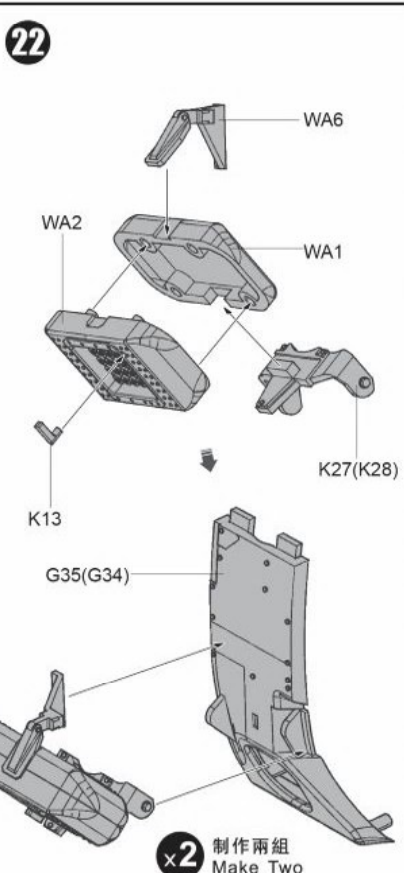
20



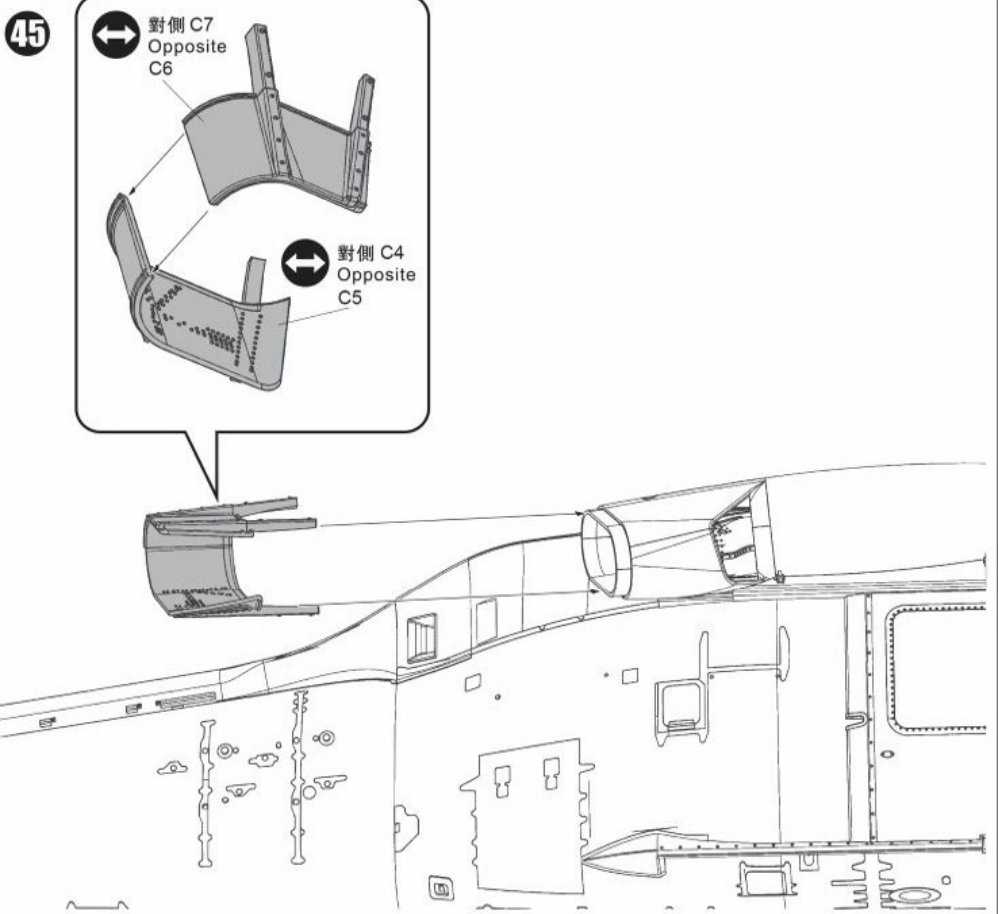
21



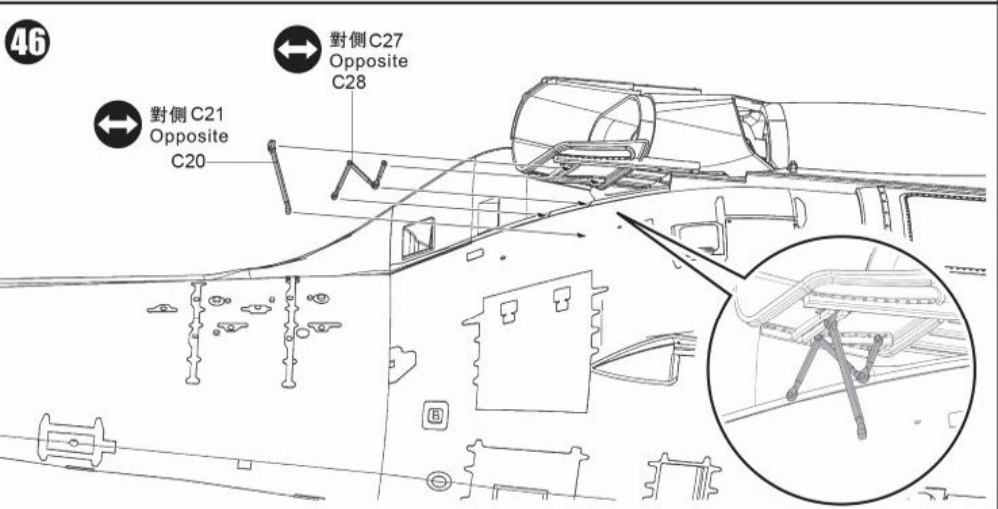
22

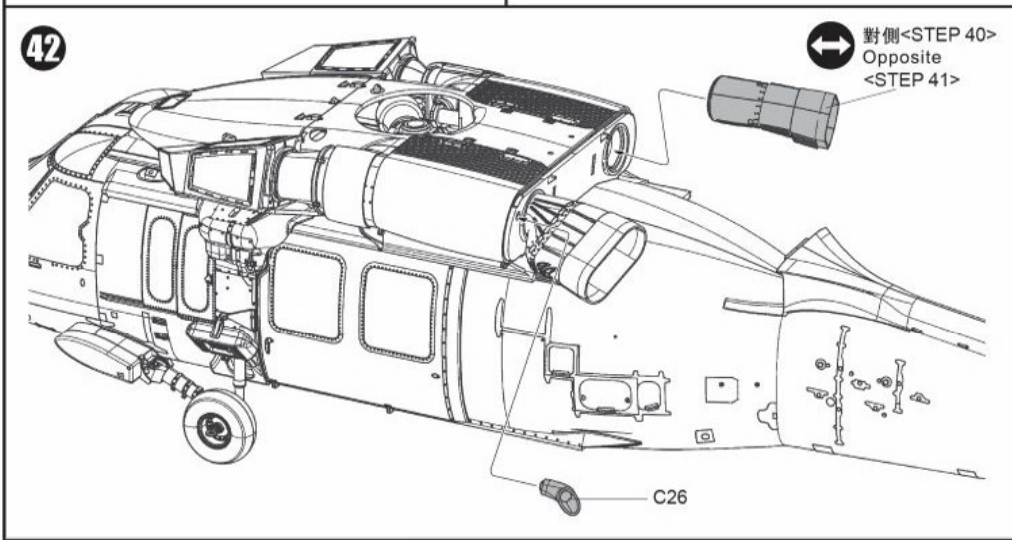
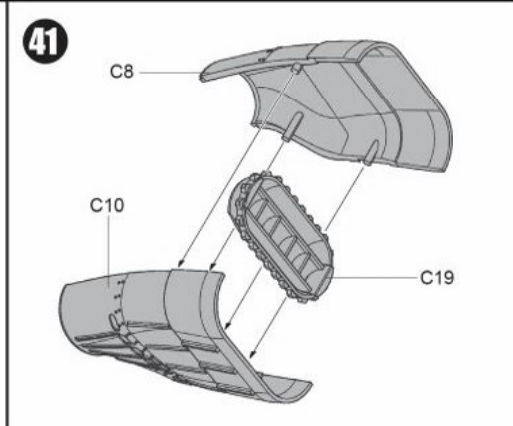
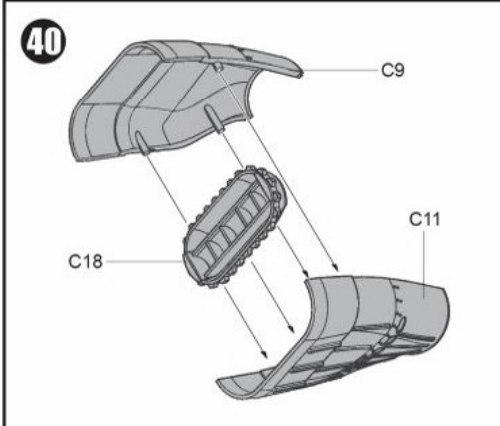
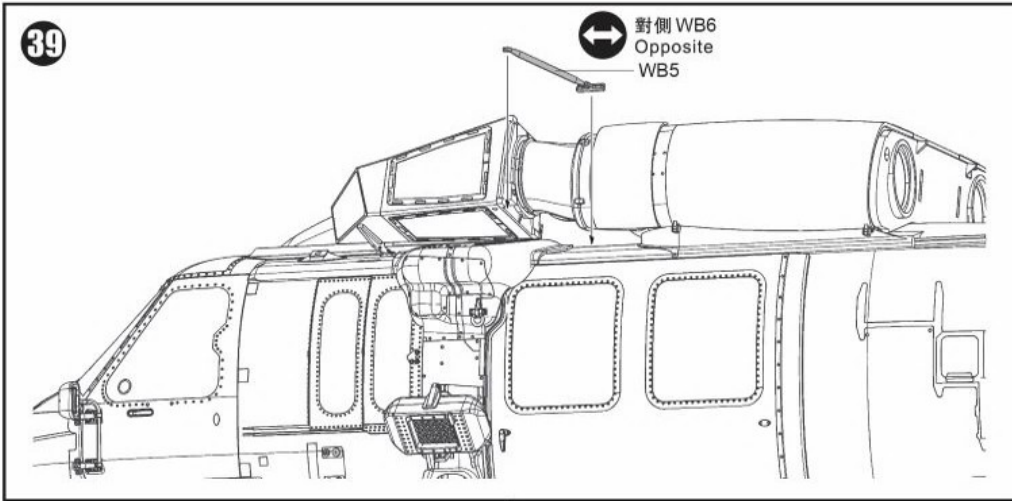
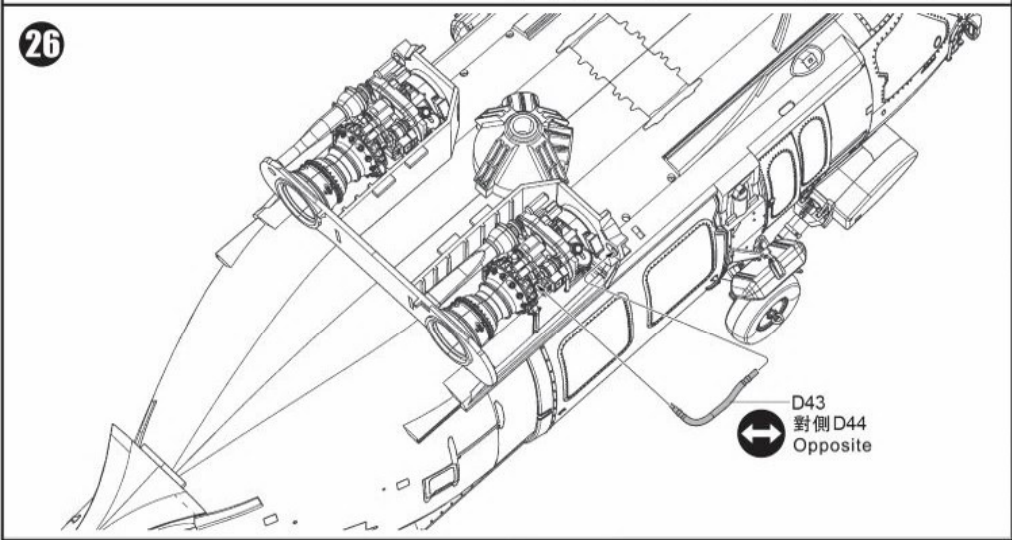
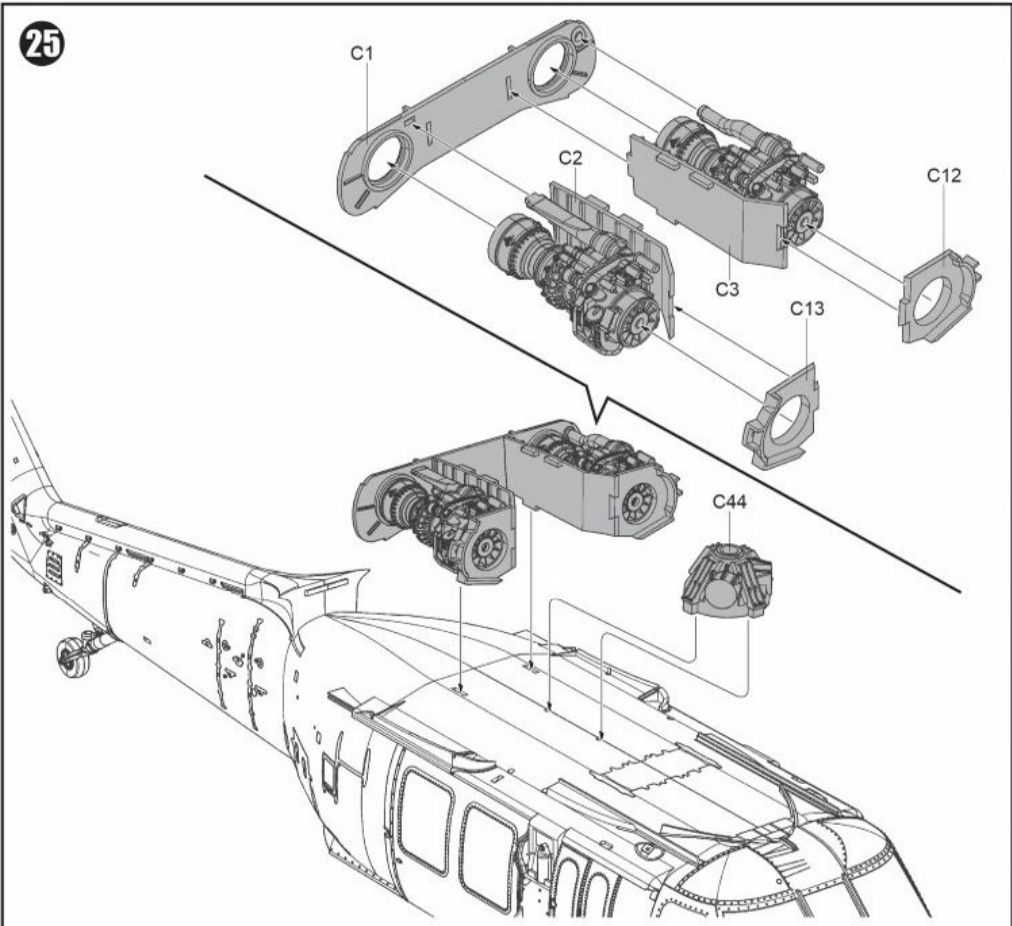


45

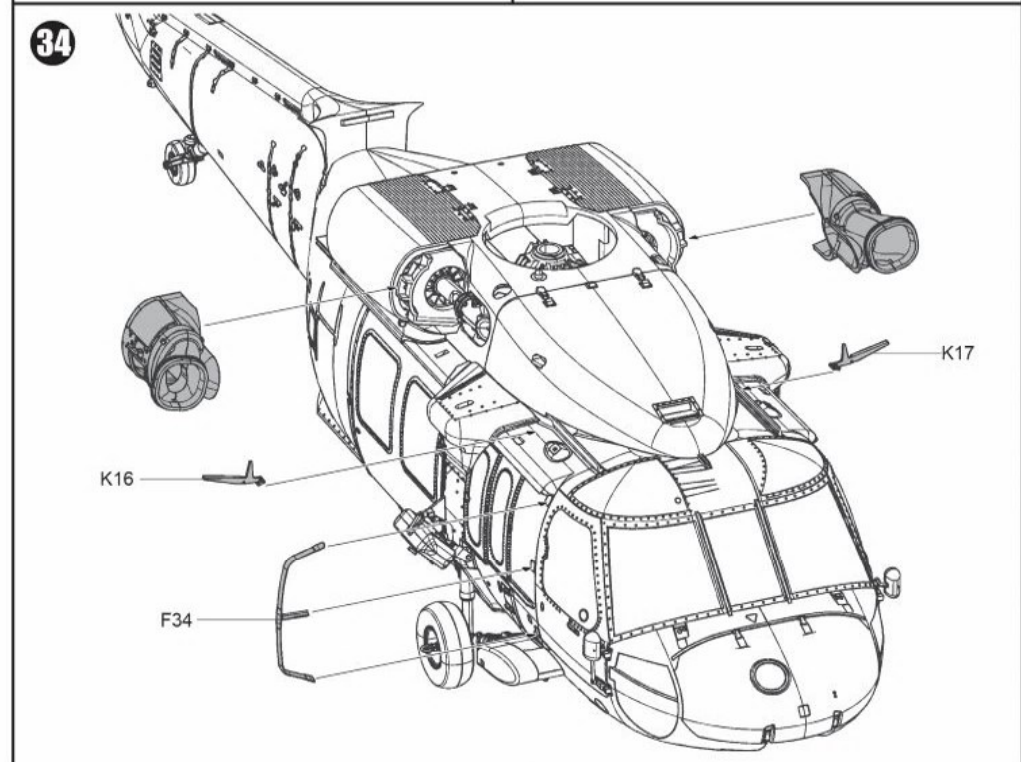
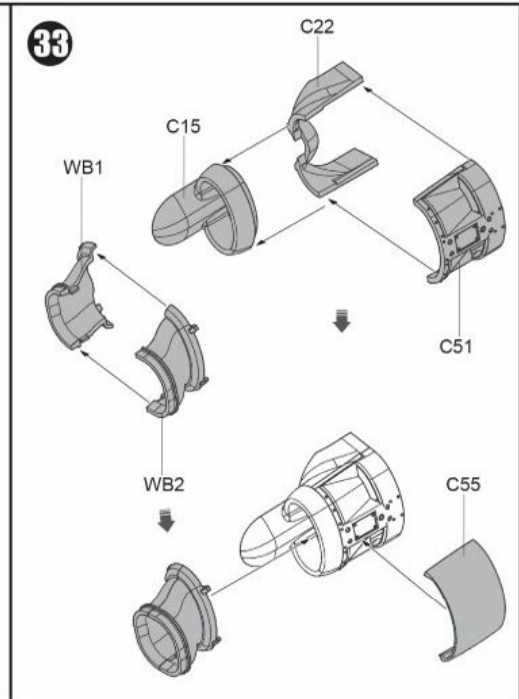
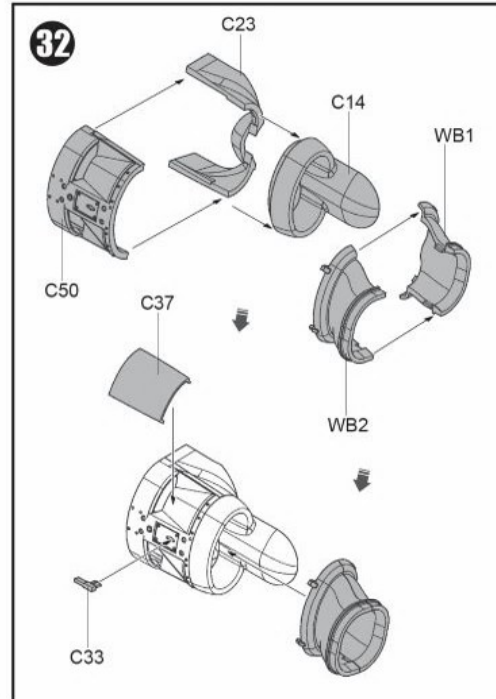
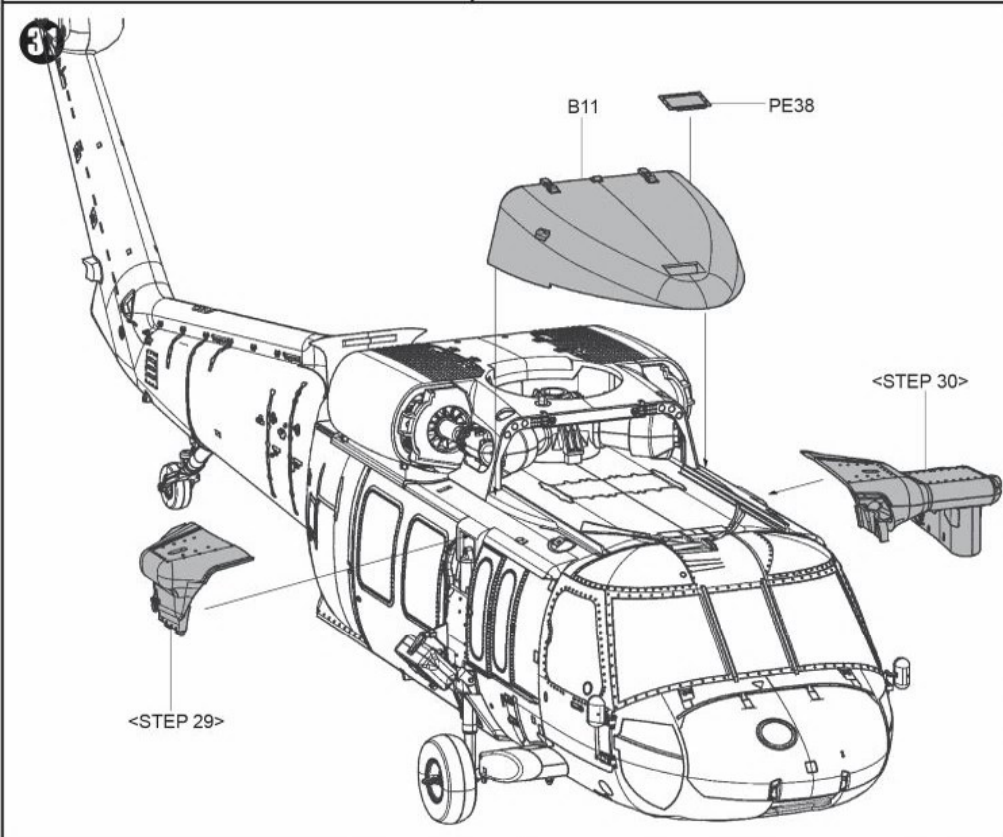
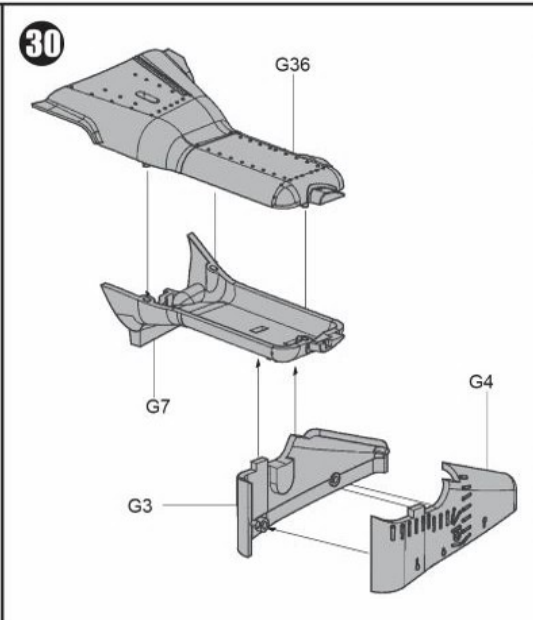
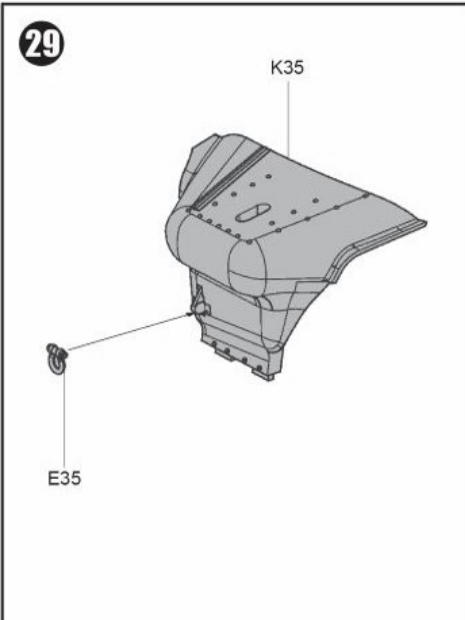


46





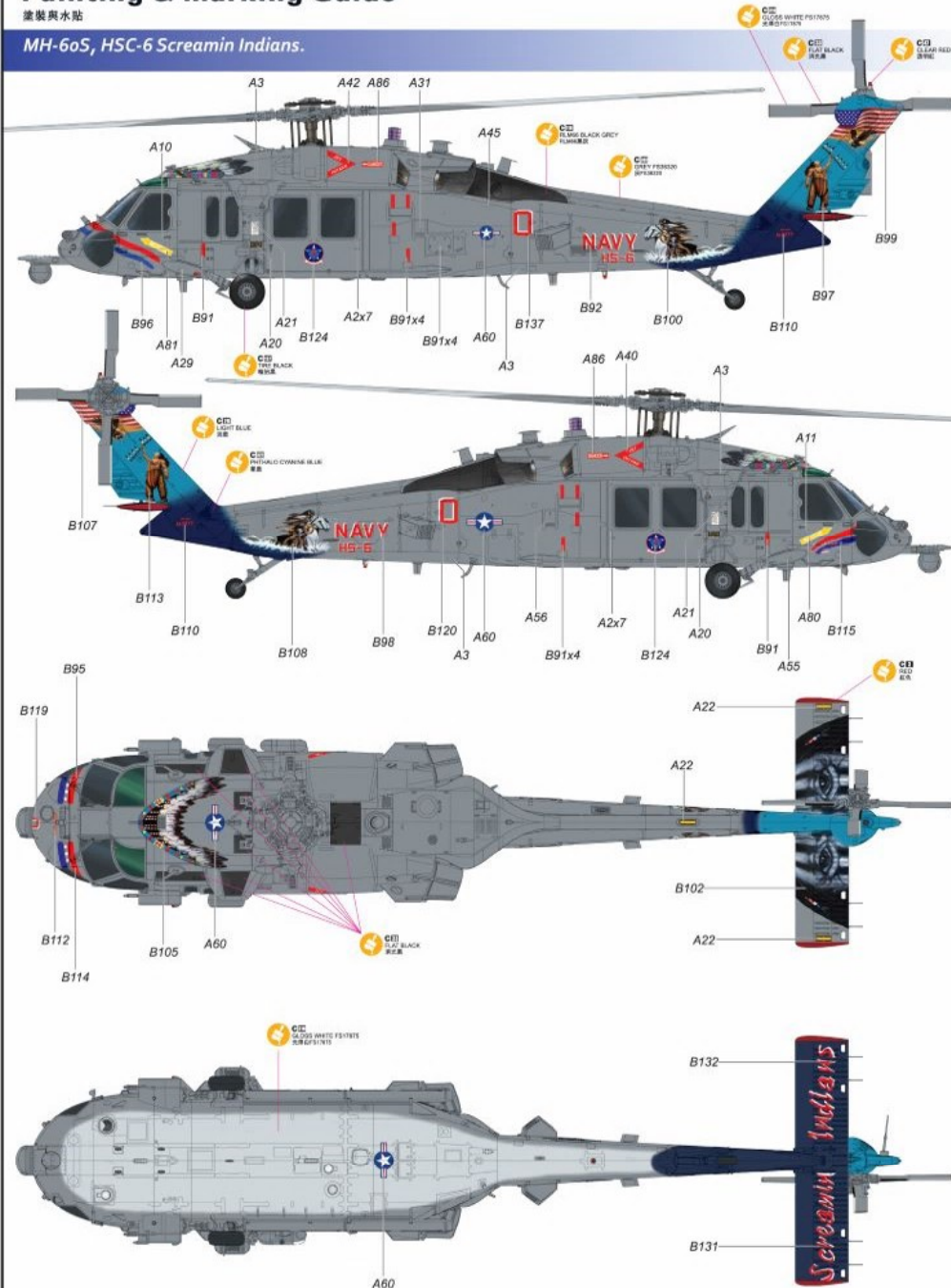




## Painting & marking Guide

塗裝與水貼

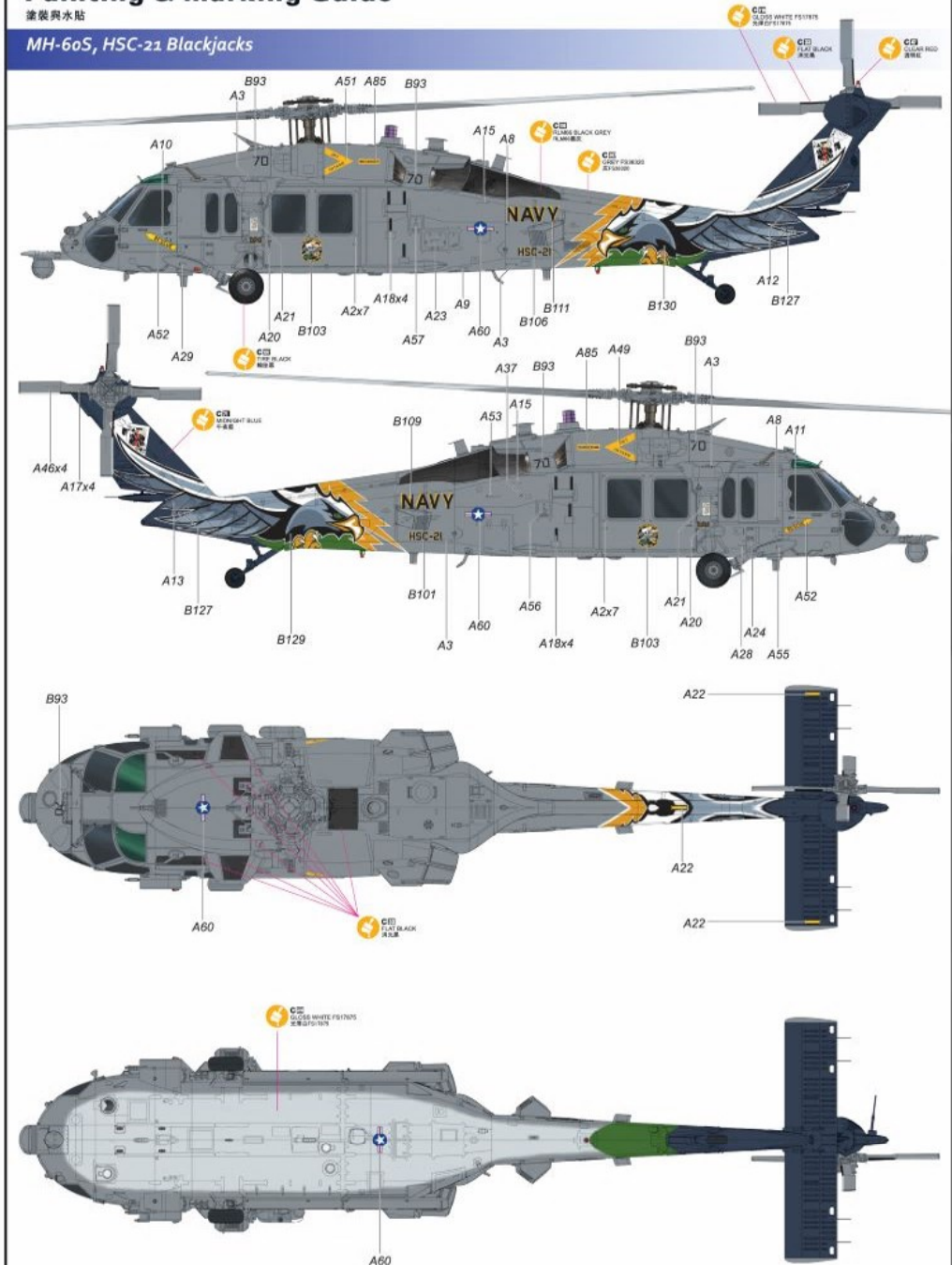
MH-60S, HSC-6 Screamin Indians.



## Painting & marking Guide

塗裝與水貼

MH-60S, HSC-21 Blackjacks

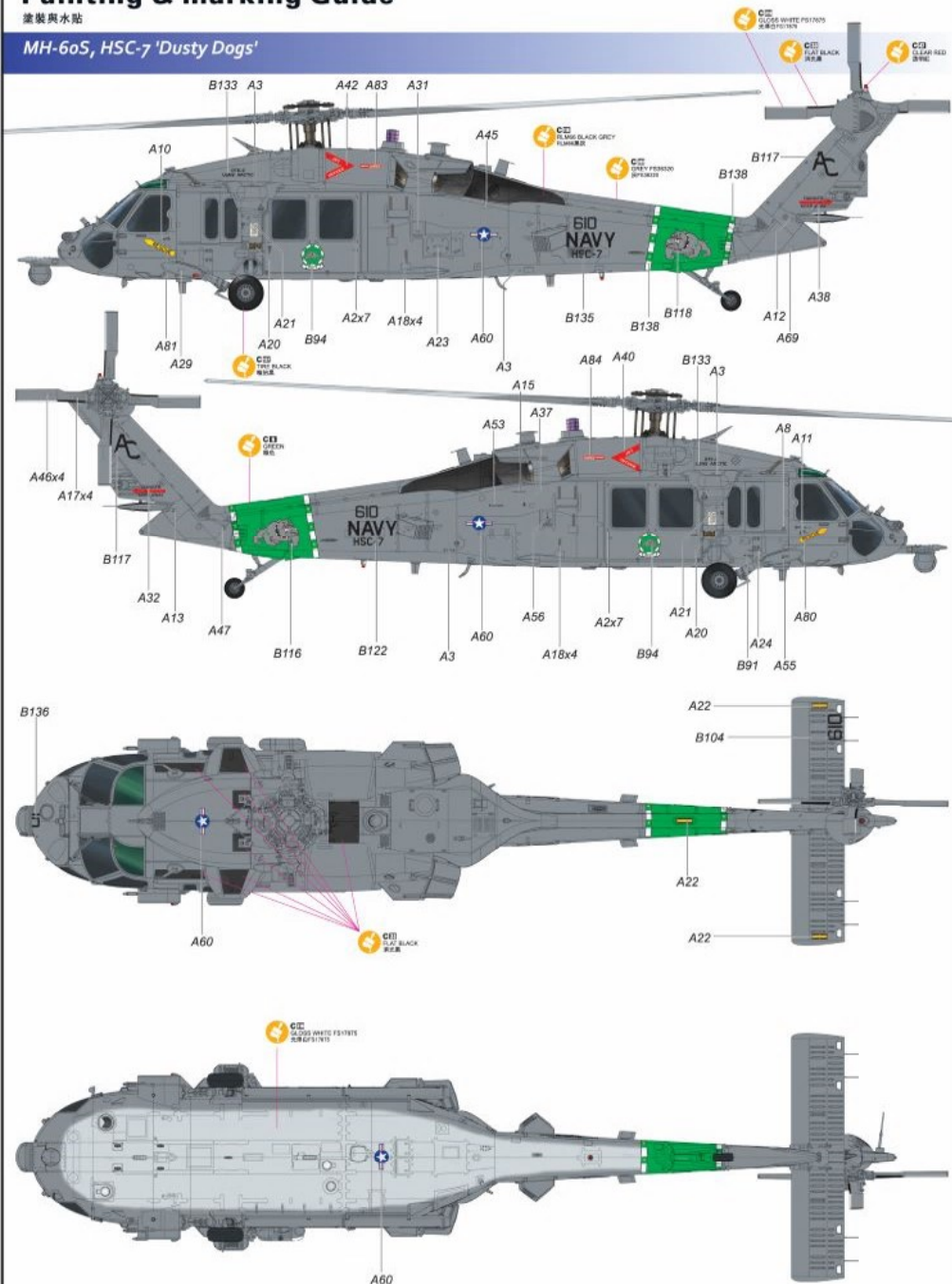




# Painting & marking Guide

塗裝與水貼

MH-60S, HSC-7 'Dusty Dogs'



# Painting & marking Guide

塗裝與水貼

MH-60S, HSC-3 SA07

