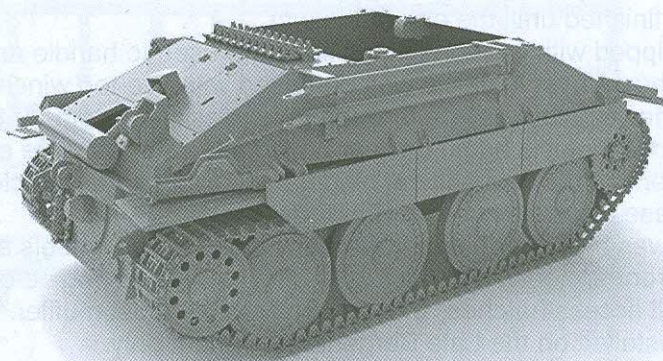


35102, 35103

產品編號：35102, 35103

scale 1/35

1:35 比例



## 1/35 German Bergepanzer Hetzer Early

Go through this assembly guide and understand it before you start kit assembly

Use usual plastic kit's cements and tools (not included in the kit)

Follow painting guide supplied, use only hobby paints

Work carefully with photo etched parts if included, use C/A glues to assemble them

請您在組裝此產品前仔細閱讀組裝指南；

請使用通用塑膠模型黏合劑和工具(本產品不附帶)；

本產品所以提供的噴塗指南只適用本於模型；

如果本產品含有蝕刻套件,請小心仔細處理,請使用C/A膠水組裝；



cut/remove

切下 / 移除



drill hole

鑽孔



no glue

不適用膠水



bend

折彎



cyanoacrylate glue

氰基丙烯酸酯膠水



string or wire

細繩或者金屬絲線



rope

繩



painting area during assembly  
recommended (ref. to AMMO colors)

裝配過程中的噴漆區域推薦  
(請參考AMMO顏色)



PE - press rivets (lines)  
from the etched off side

蝕刻片 -  
請从蝕刻掉的一側压铆钉 (线)

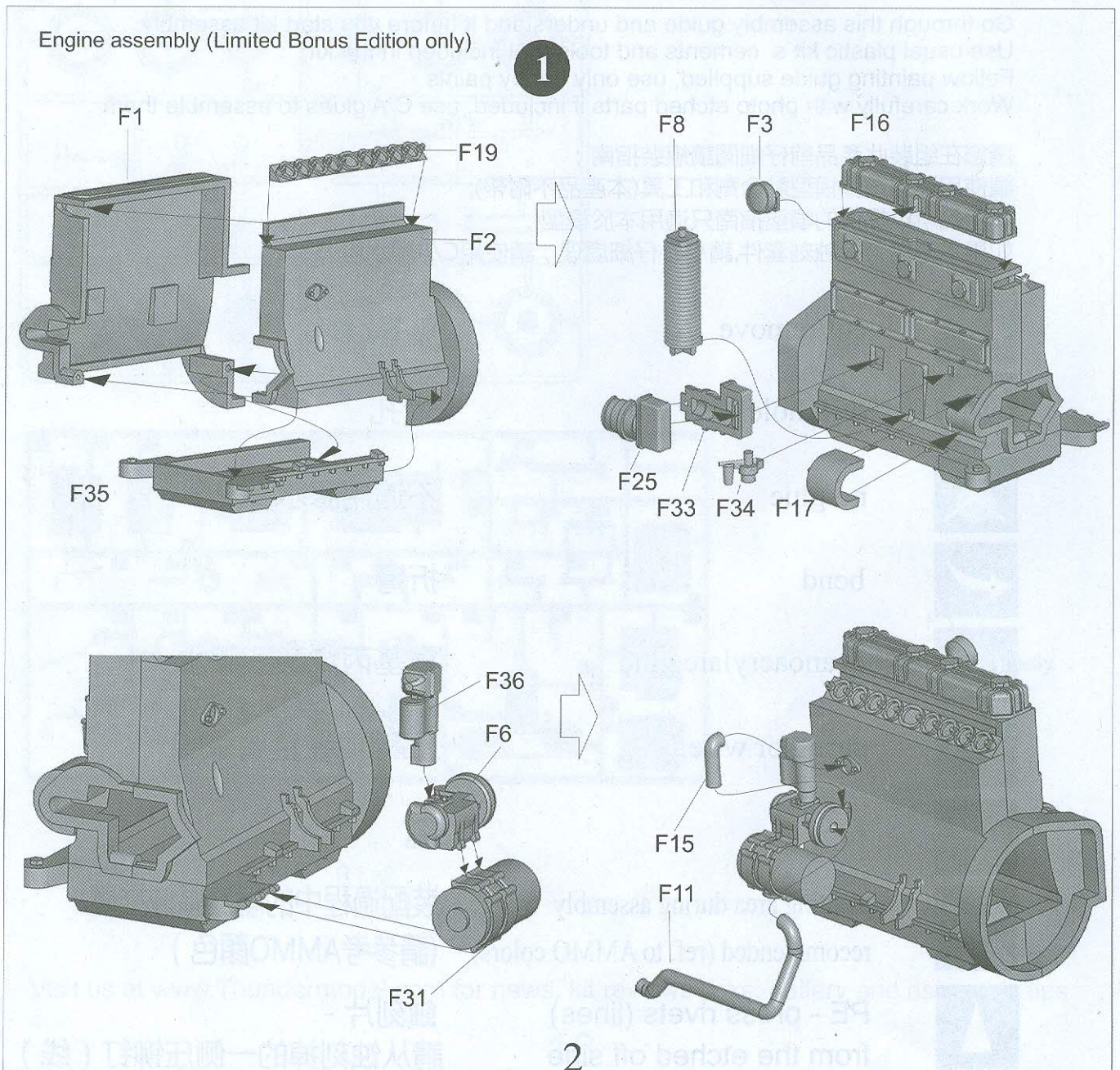
Bergerpanzer 38(t) was a recovery vehicle based on Hetzer's base, with lower open-top superstructure, manufactured by BMM company in Prague. The plans were approved in September 1944 and called for production of 170 vehicles until the end of 1944. In fact just 101 vehicles were built. To meet the production plans it was decided to convert 64 summer production's Hetzers into armoured recovery vehicles, but it is unknown how many were actually converted. Production was much slower than plans, and total number of about 180 vehicles was finished until the end of the war.

The Bergepanzer was equipped with two-ton folding jib crane used to handle engines and other heavy components. Additionally the recovery vehicle was equipped with five-ton winch of Baumgarten company. The winch was driven by the vehicle's engine through transmission system. At the end a blade was installed at the rear of the hull, but it is again unclear how many vehicles were equipped with it. There were also some development works to install the blade at the front of the vehicle, as seen in the company blueprints, but probably these plans were never realized.

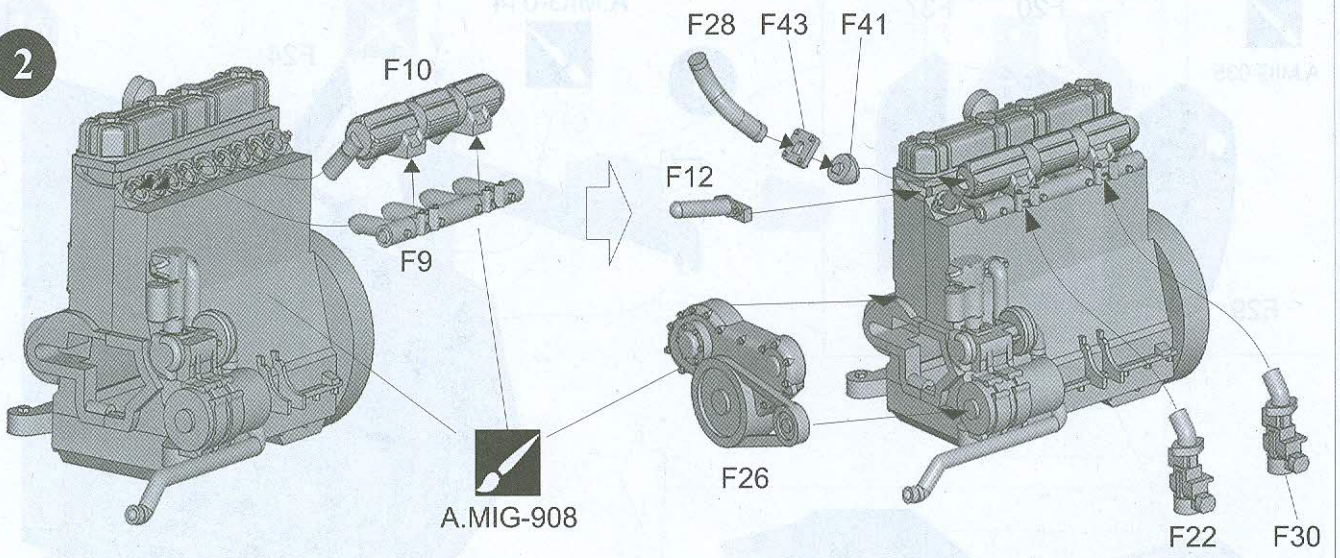
Early Bergehetzer variant was mostly equipped with early type of road wheels and idler wheels, it had different towing eyes, the front armor was thinner than Late variant, its engine cover was early type without two additional small access hatches, with early type of exhaust muffler. The rear support blade was developed later and installed on the Late Bergehetzer variant only.

Kit TM35102 Standard edition (excludes engine compartment, mudguards and skirts molded in plastic)

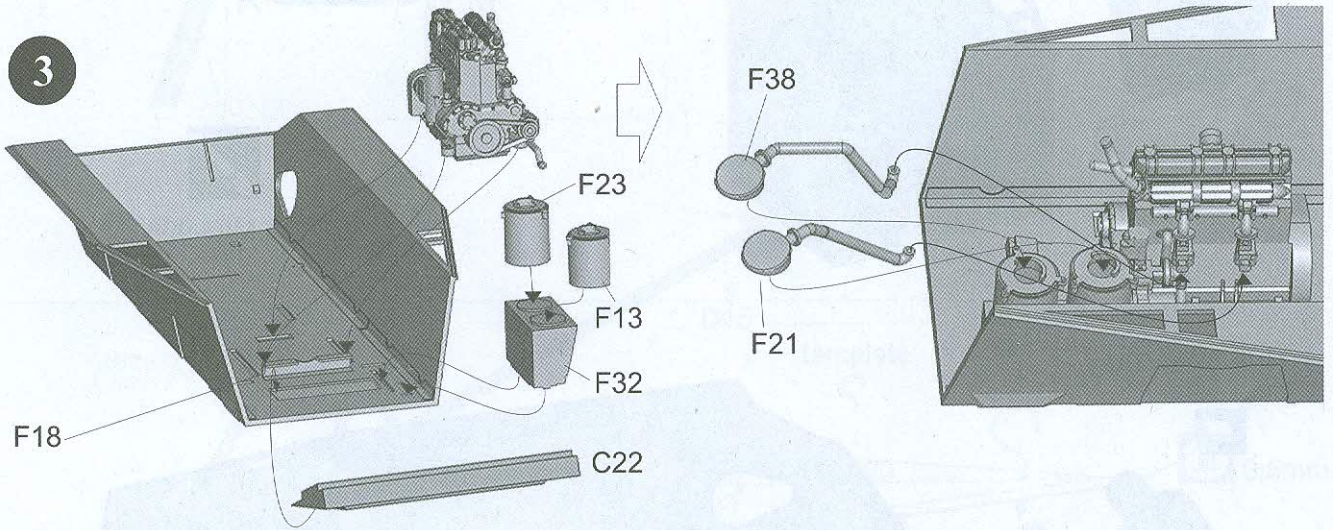
Kit TM35103 Limited Bonus Edition (includes engine compartment and additional PE set mudguards, skirts)



2



3



F14

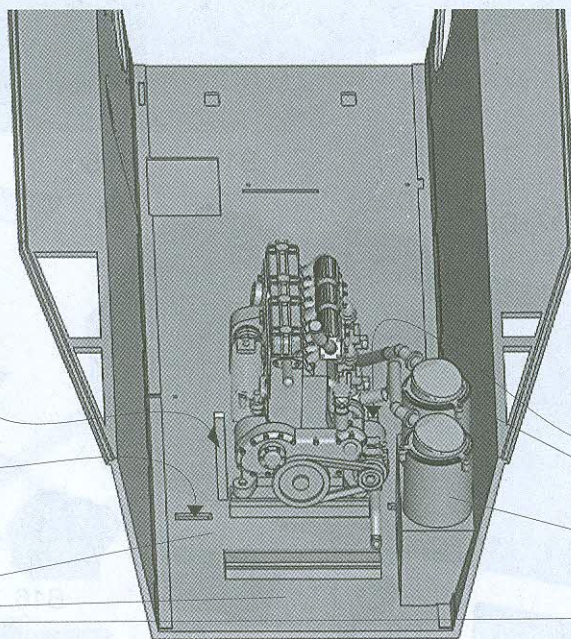
F39

F27

F5



A.MIG-014

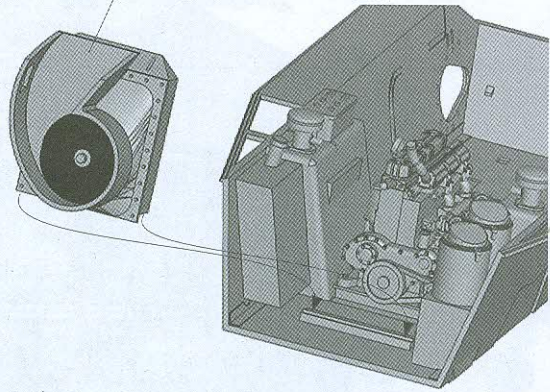
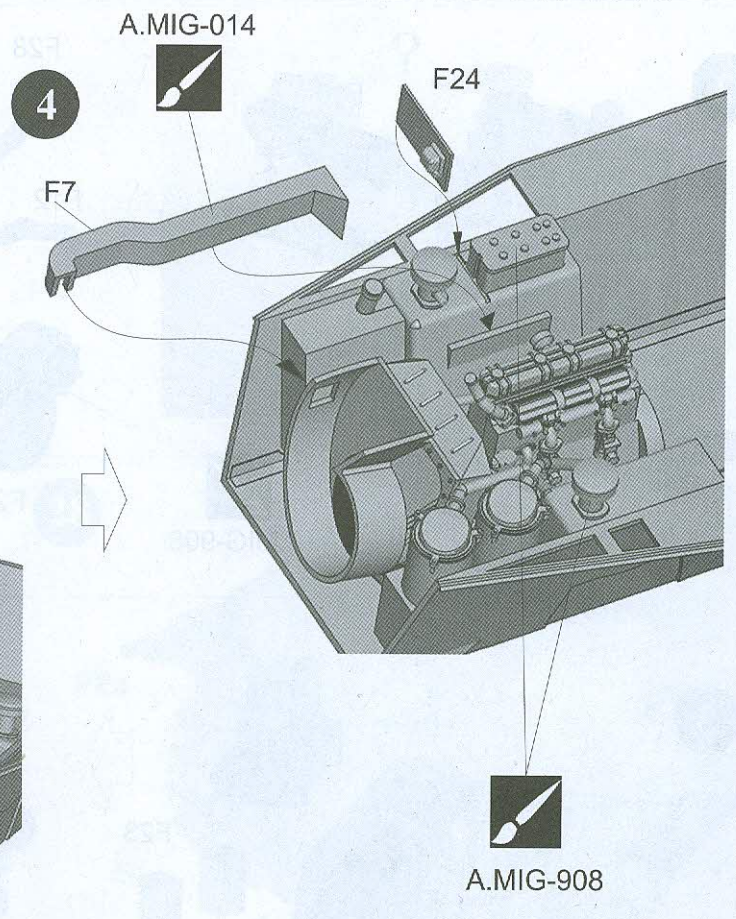
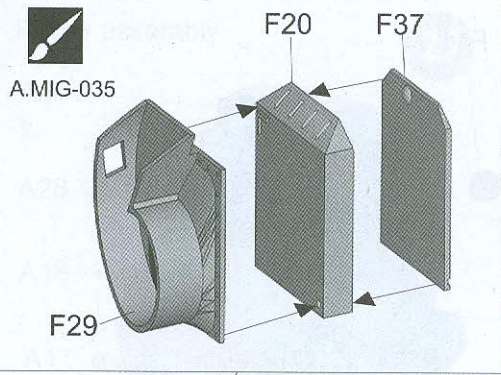


F40

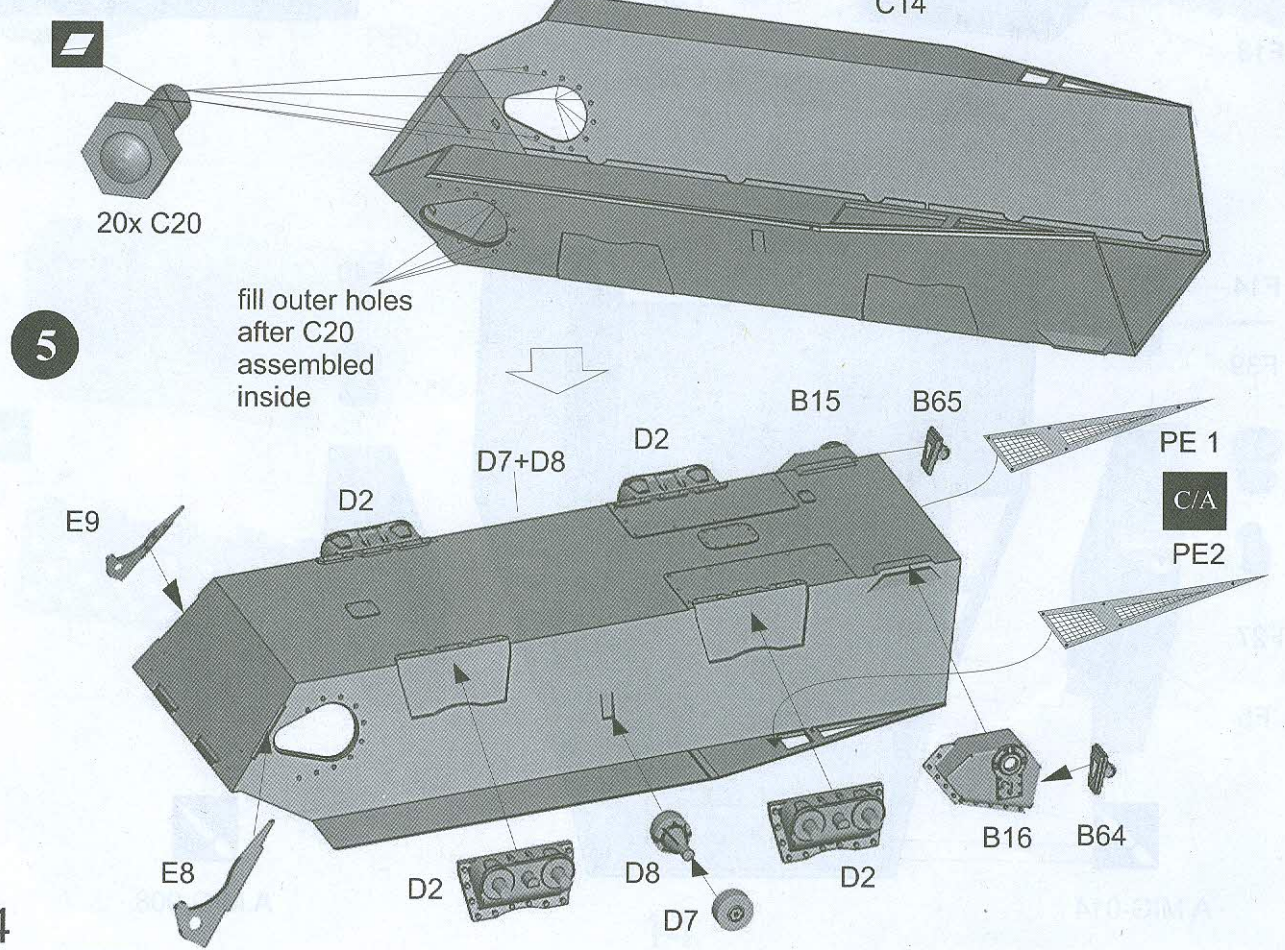
F4

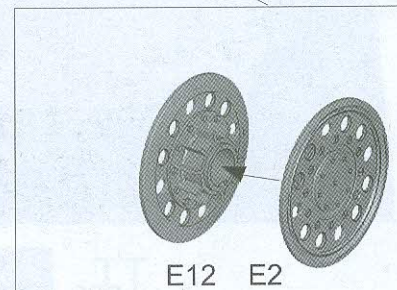
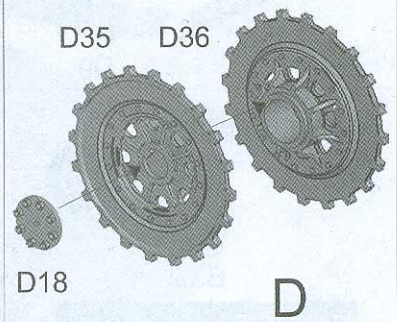
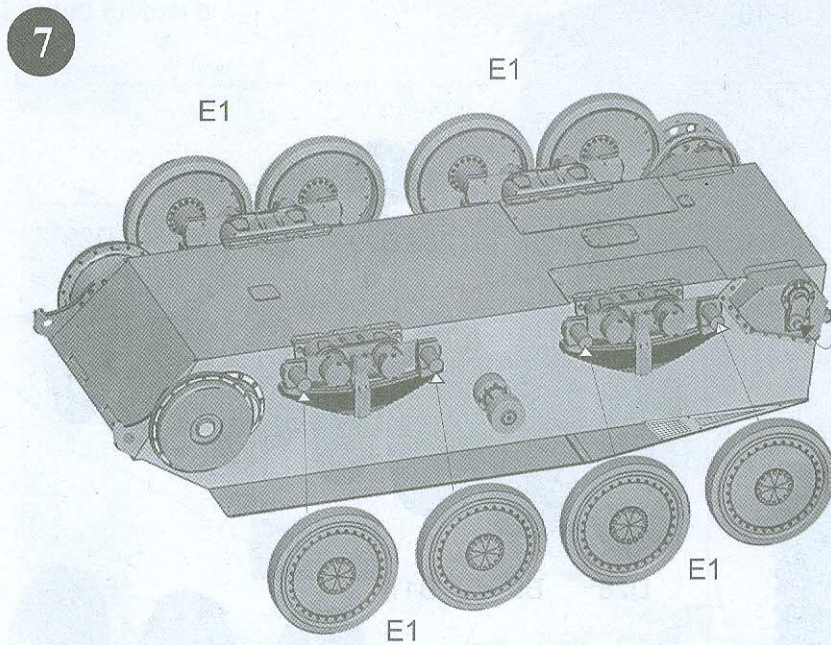
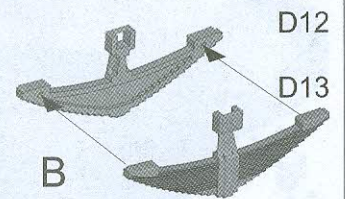
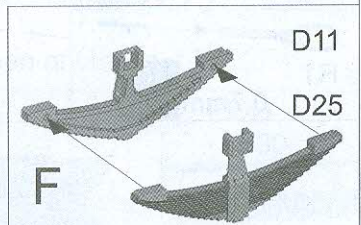
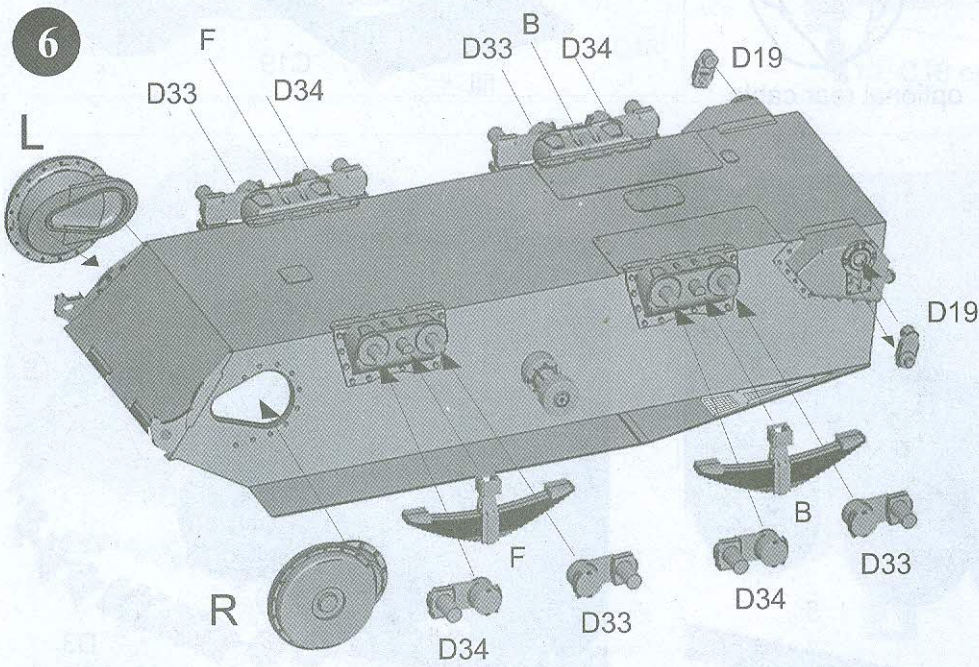
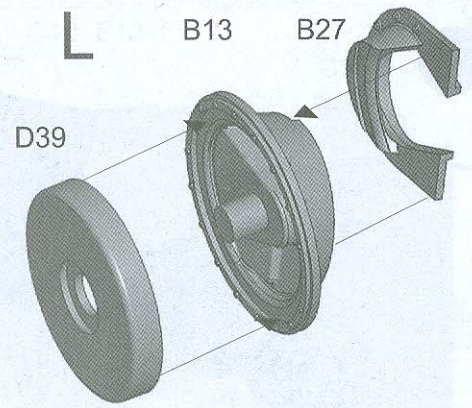
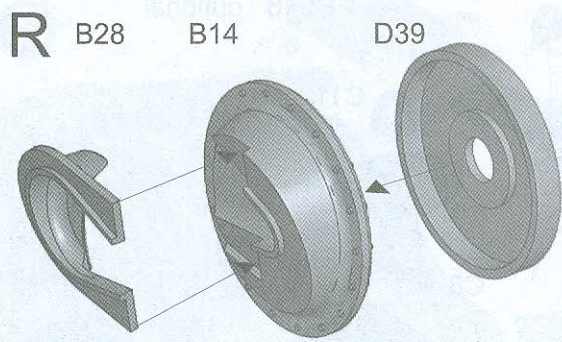


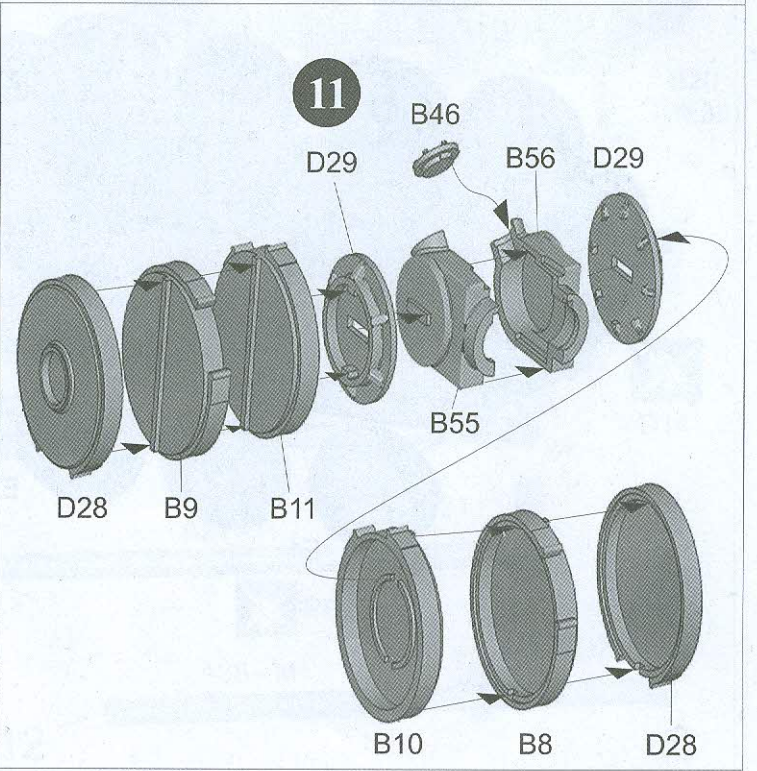
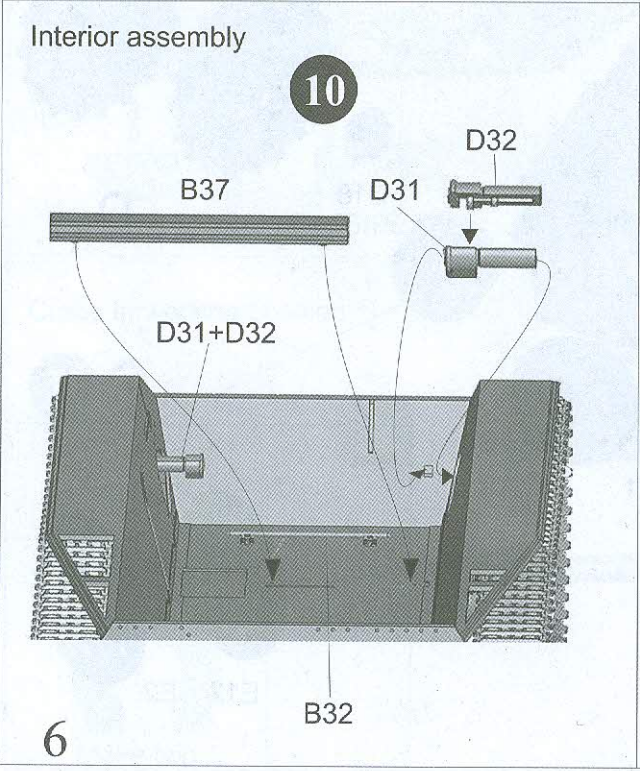
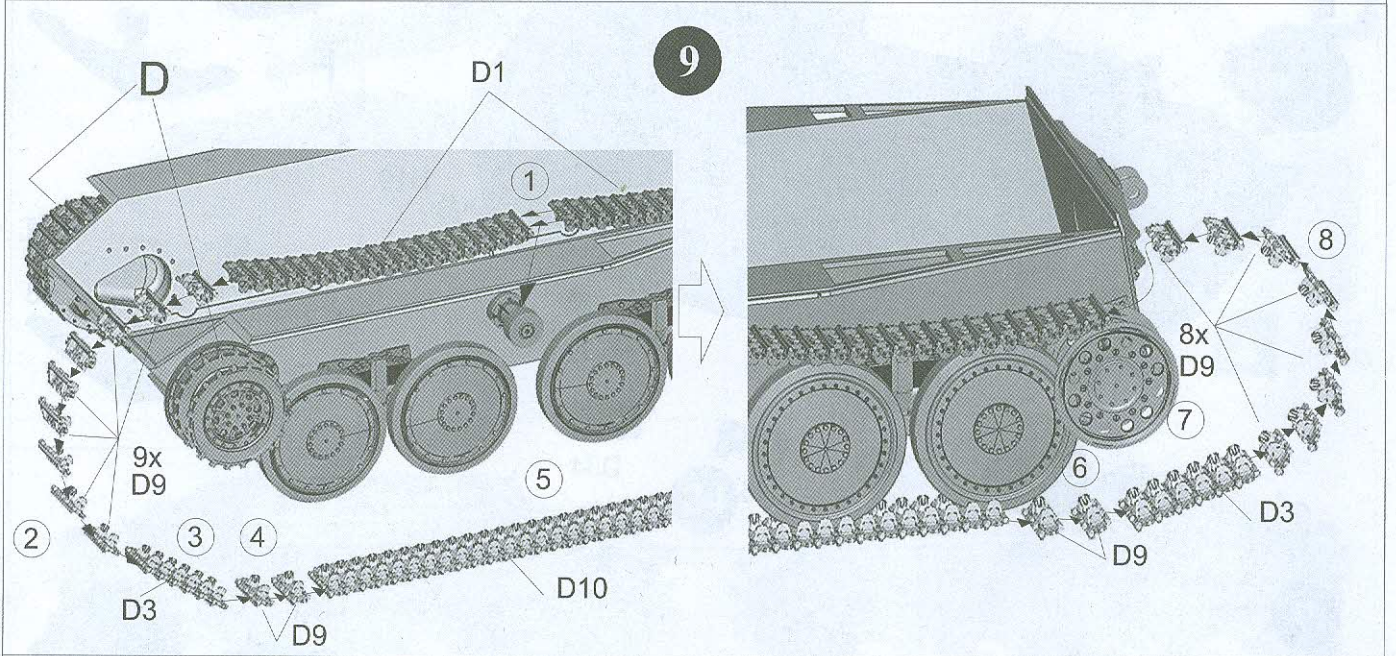
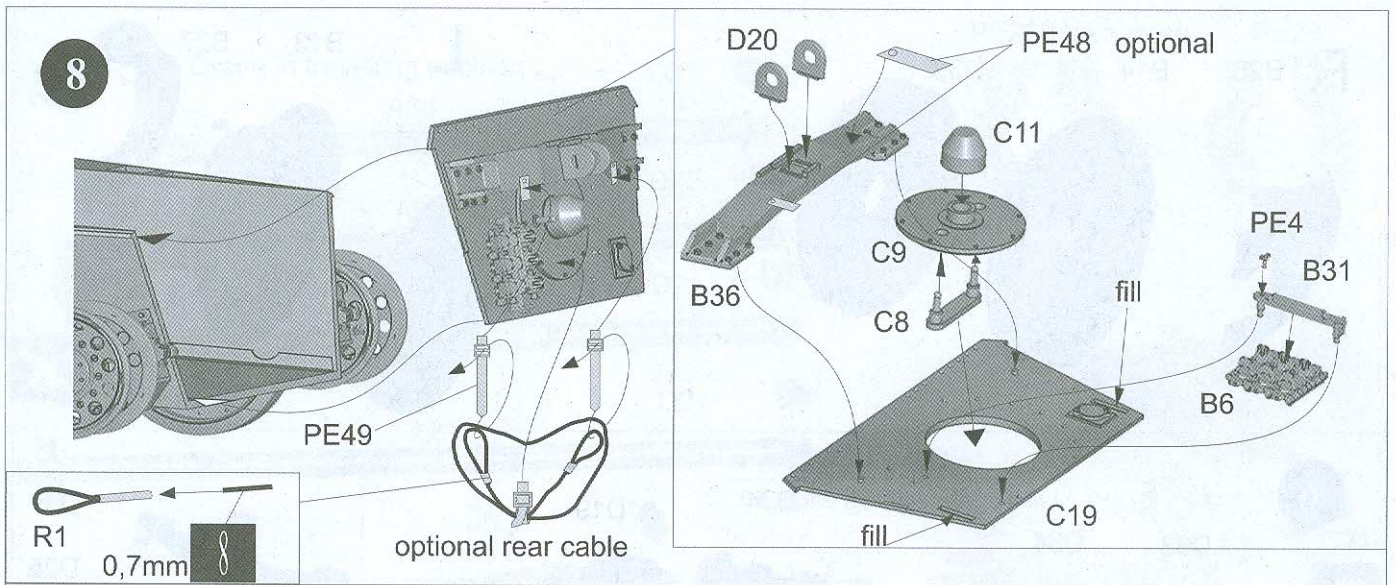
A.MIG-908

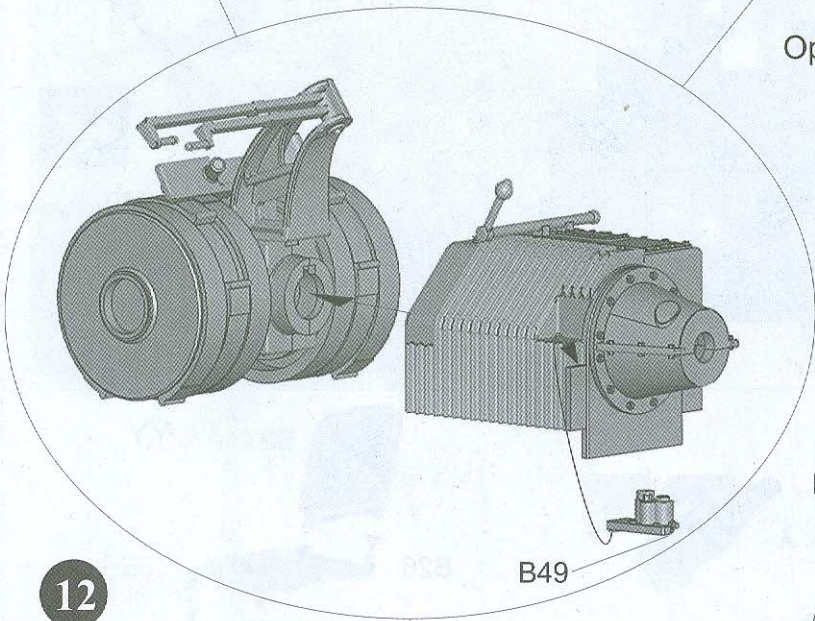
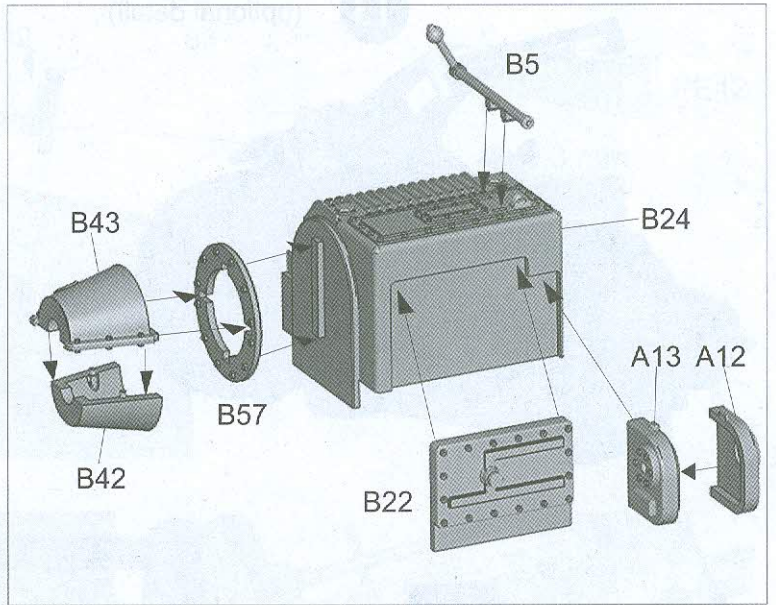
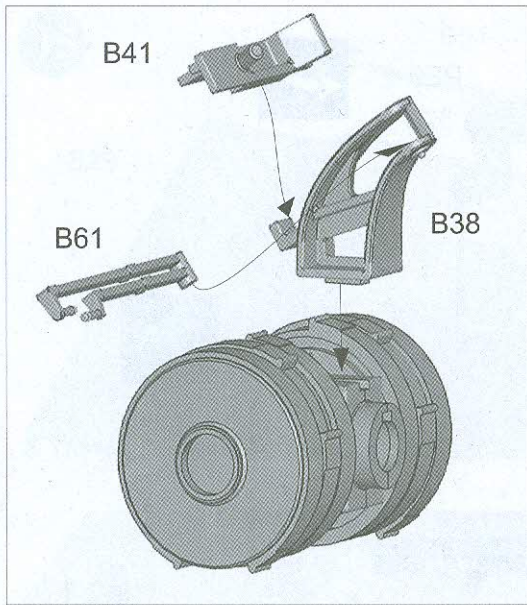


Hull assembly





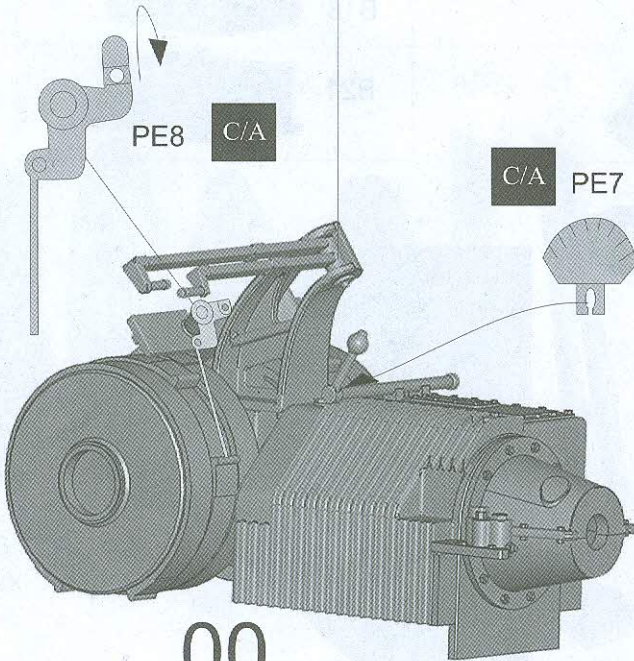
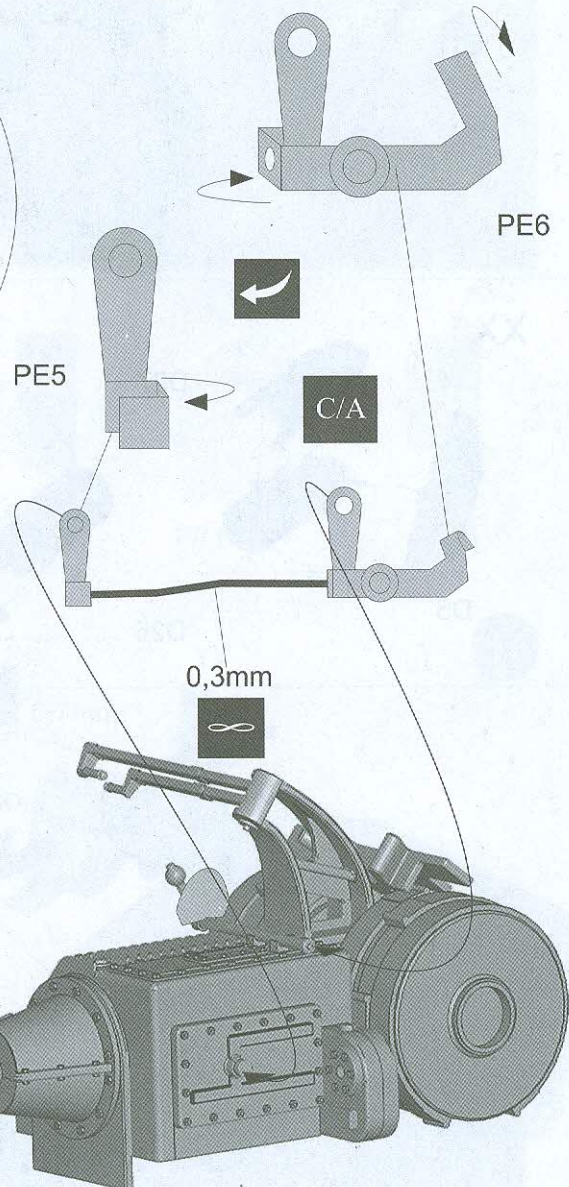




Optional detail - PE 5,6,8,9,10,11,12

12

B49



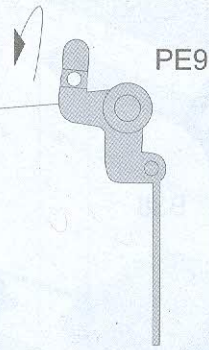
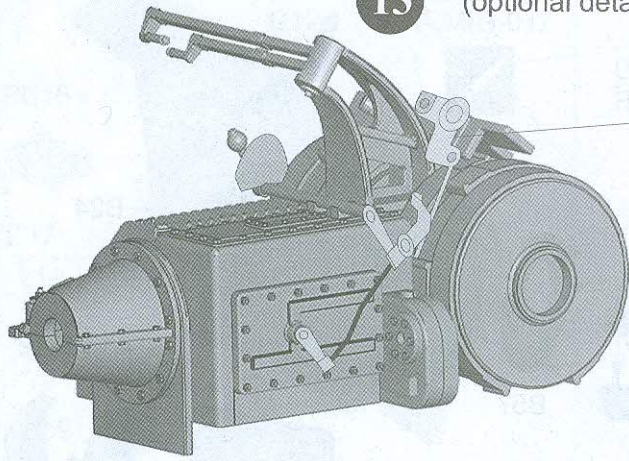
7

00

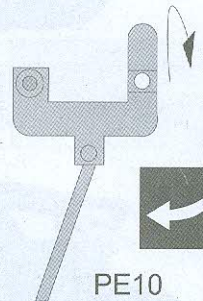
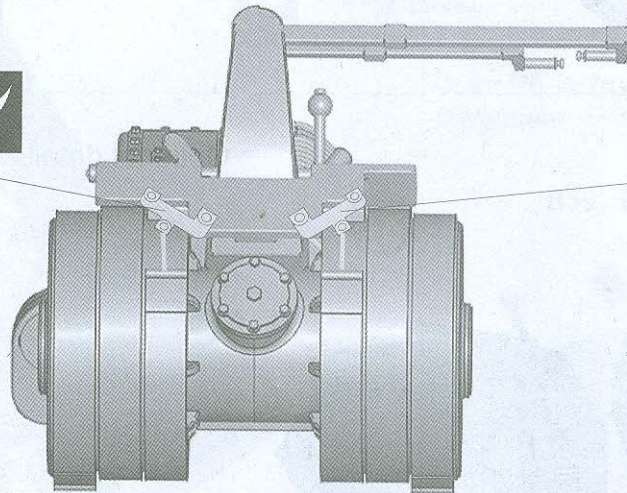
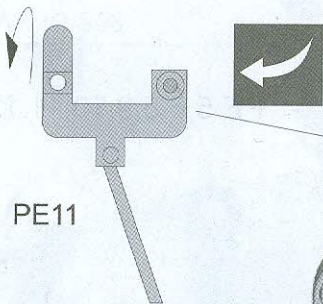
80

13

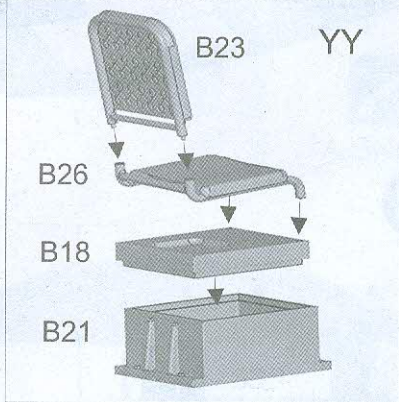
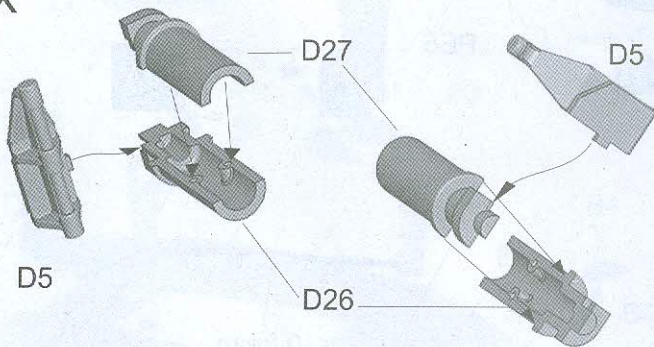
(optional detail)



C/A

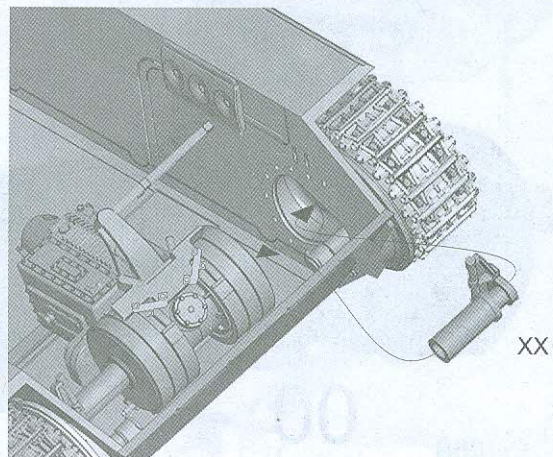
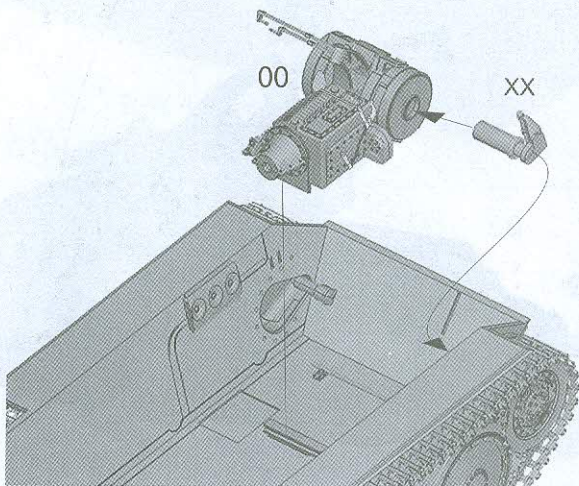


XX



YY

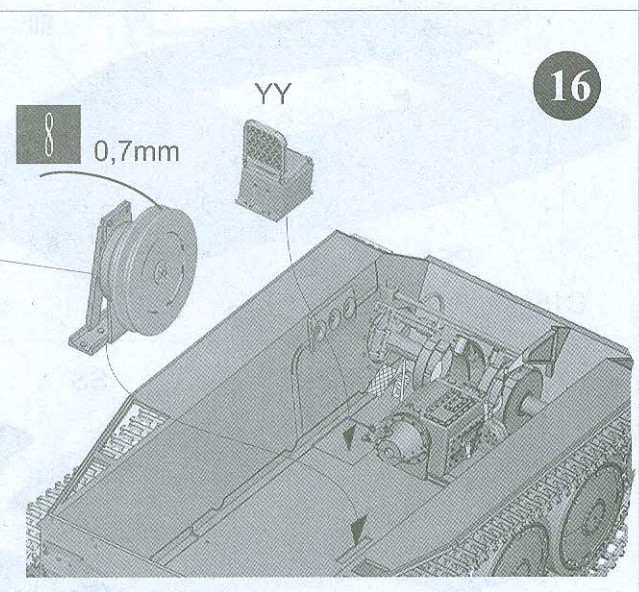
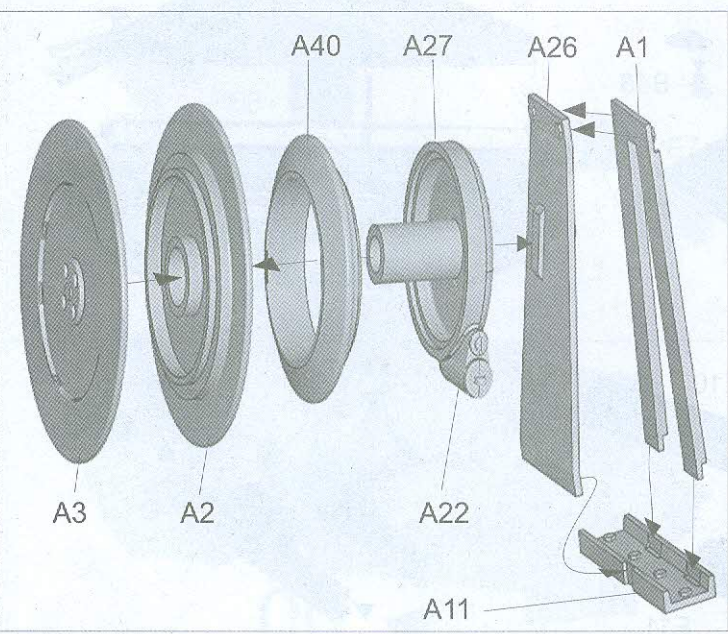
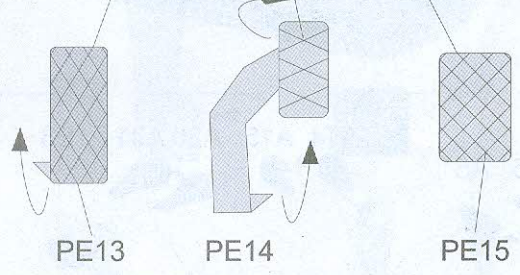
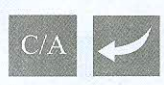
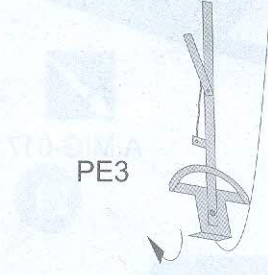
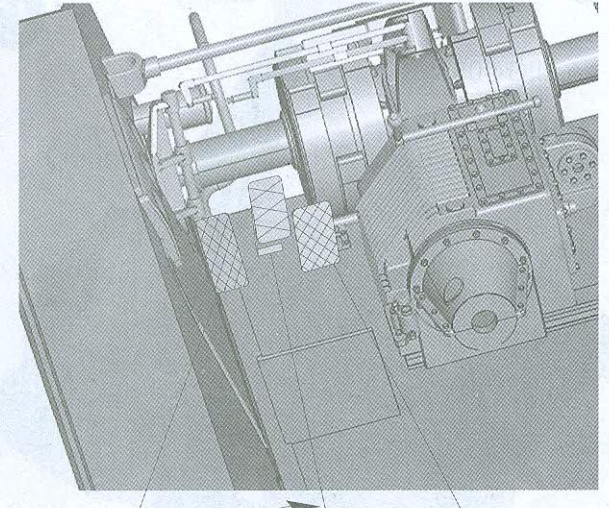
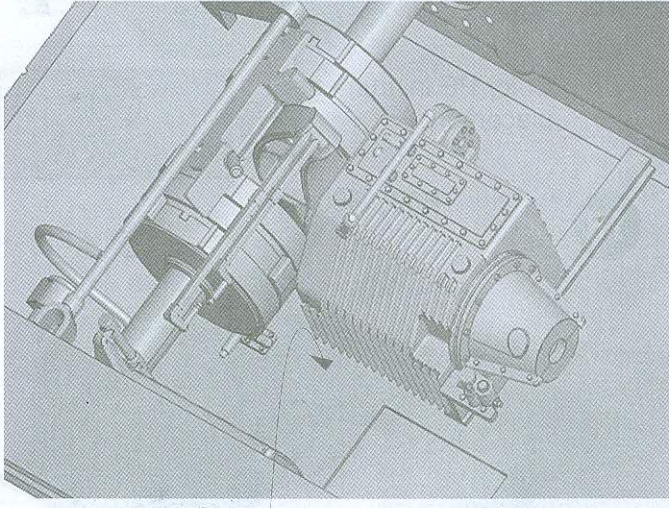
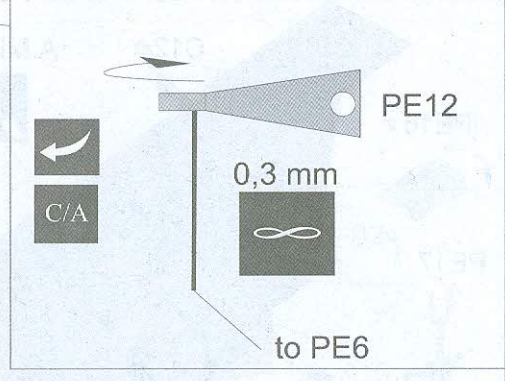
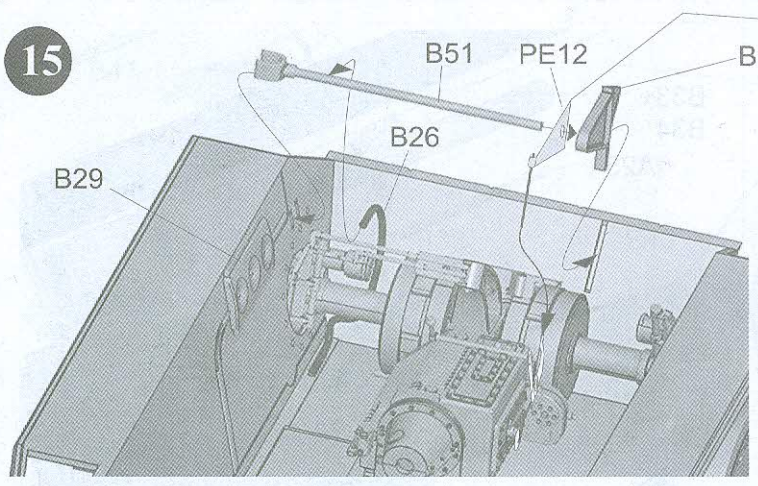
14



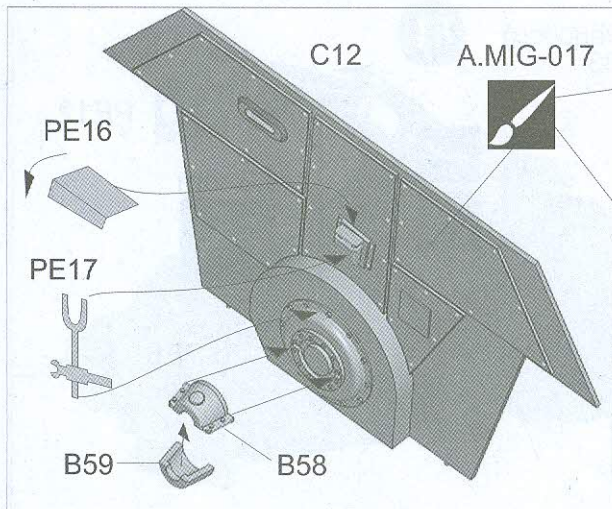
8



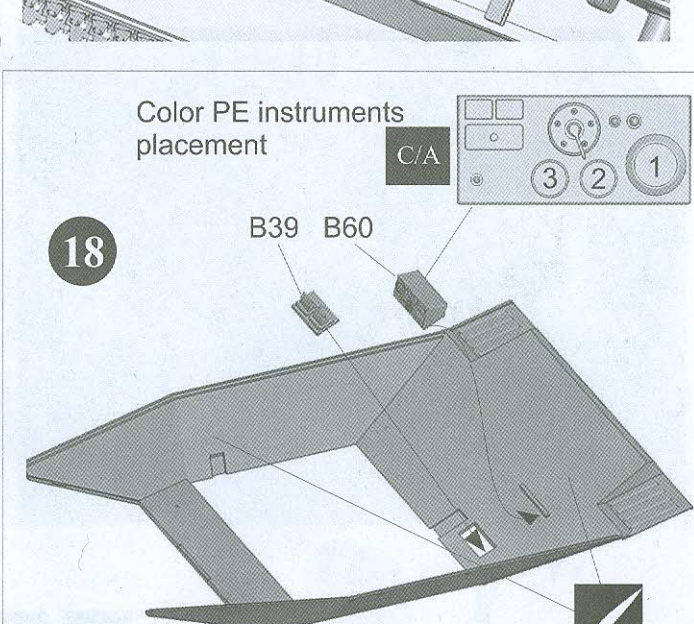
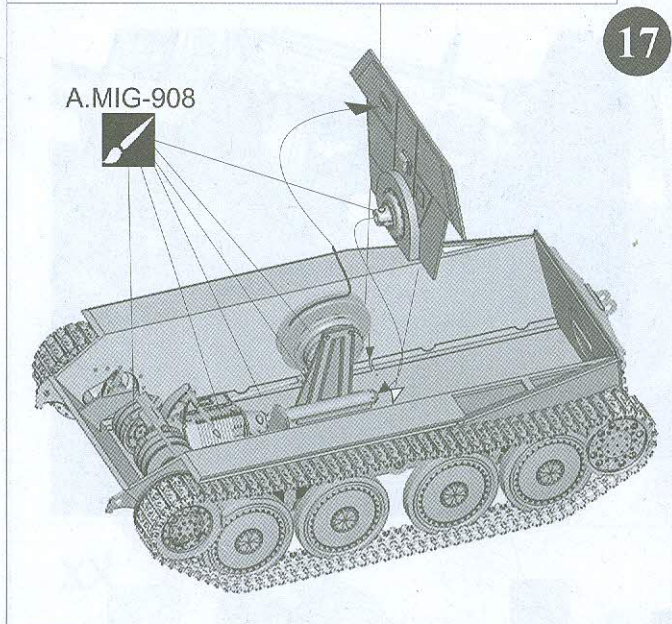
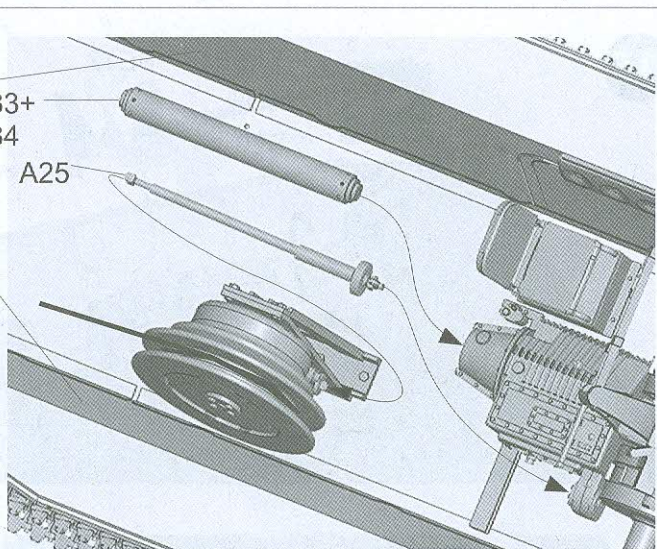
15



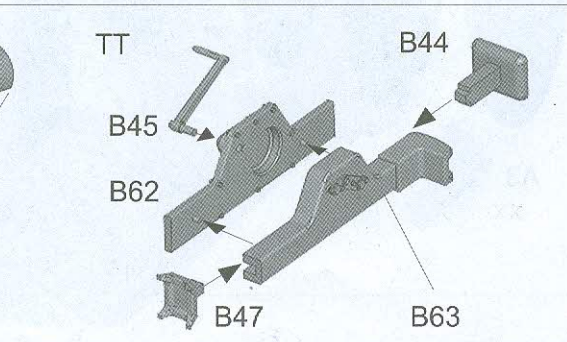
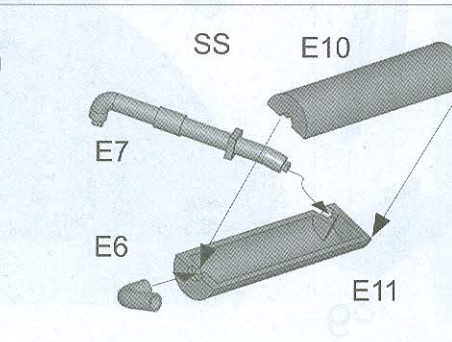
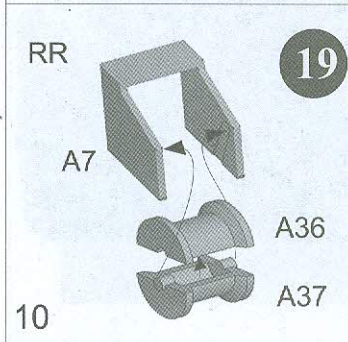
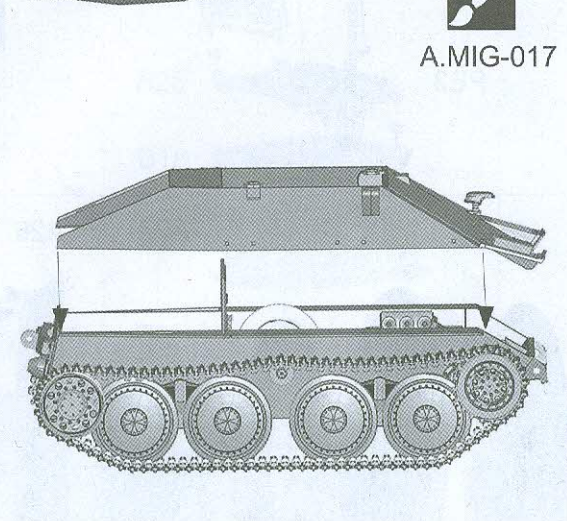
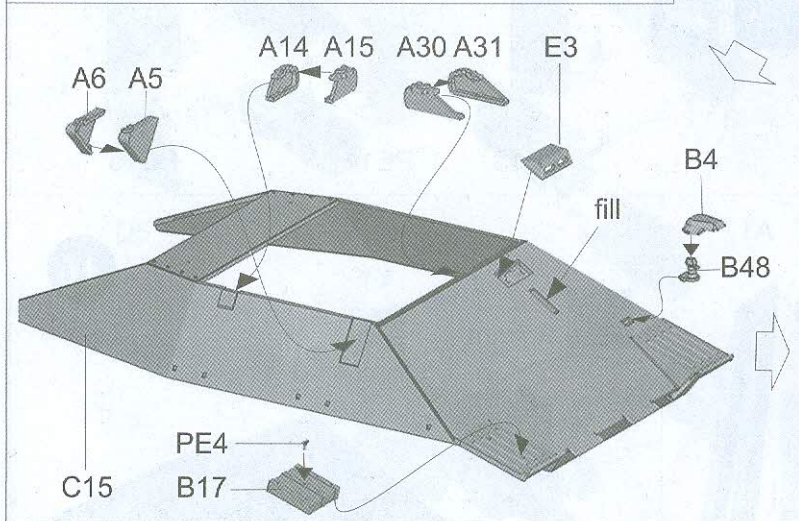
16



17

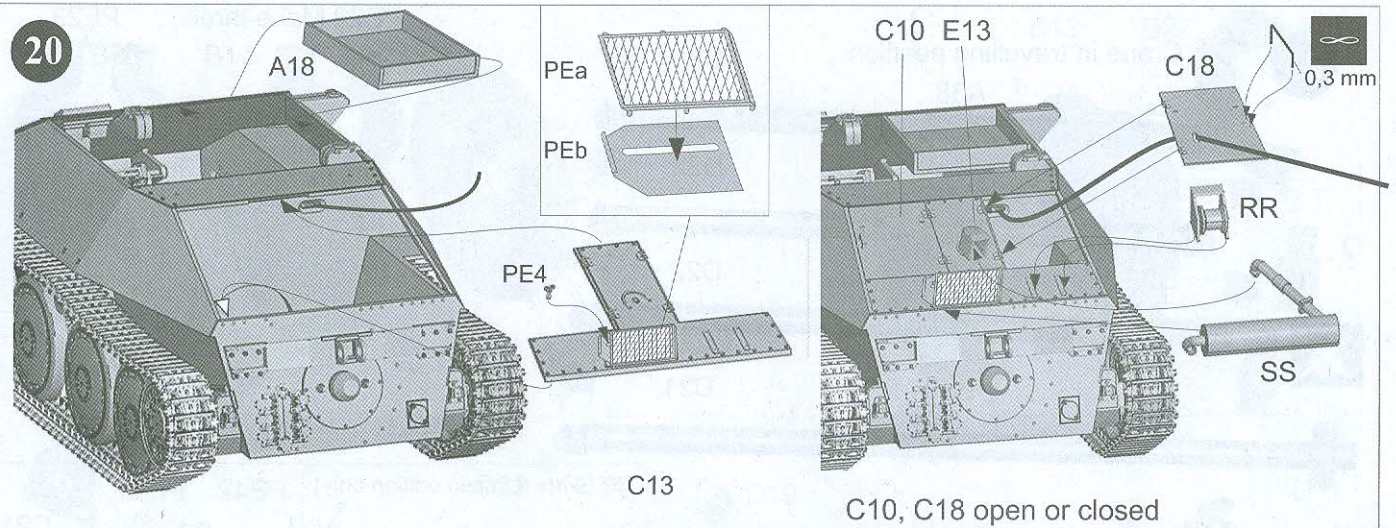


18

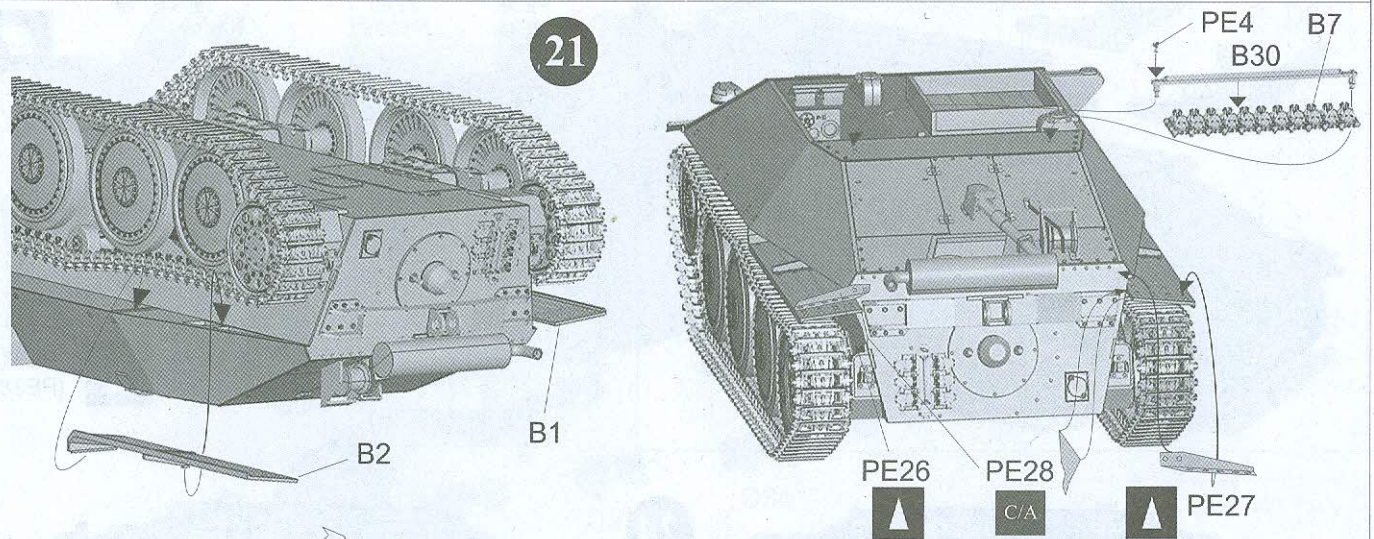


10

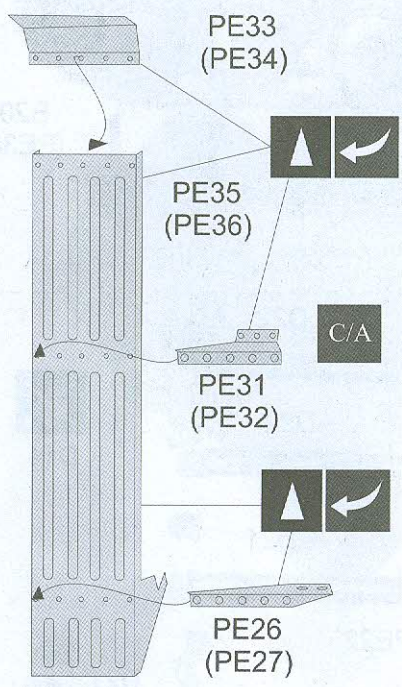
20



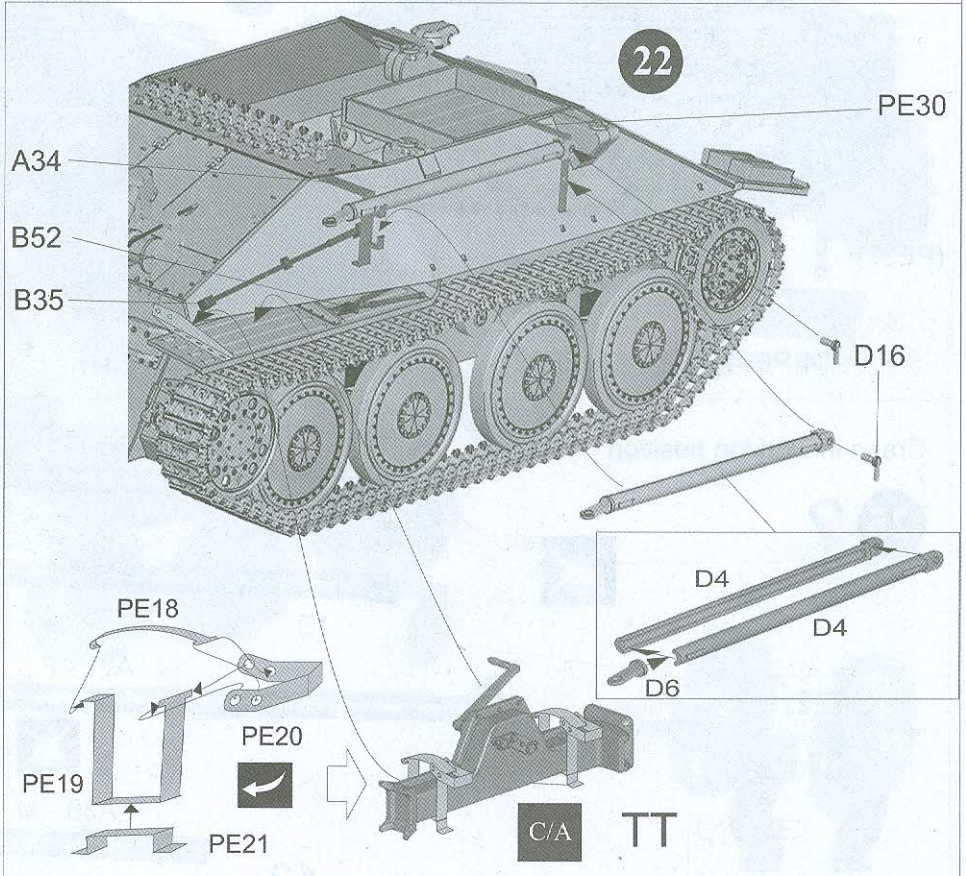
21



B1, B2 PE option  
Limited Edition only



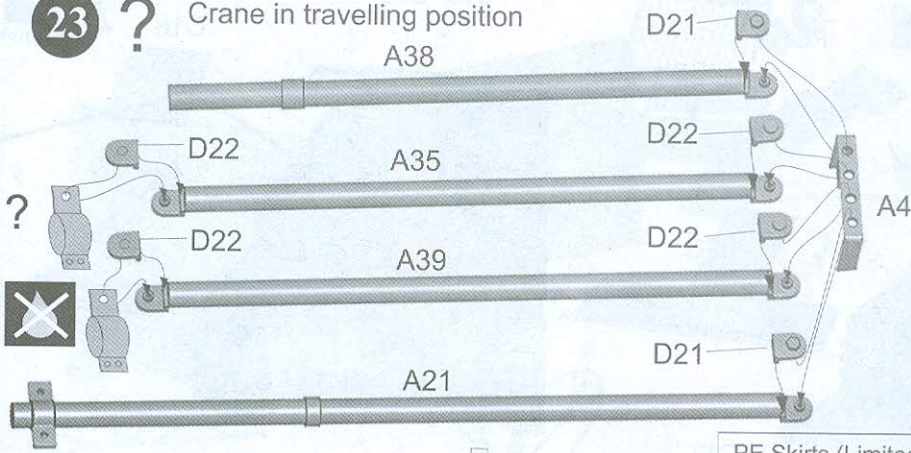
22



11

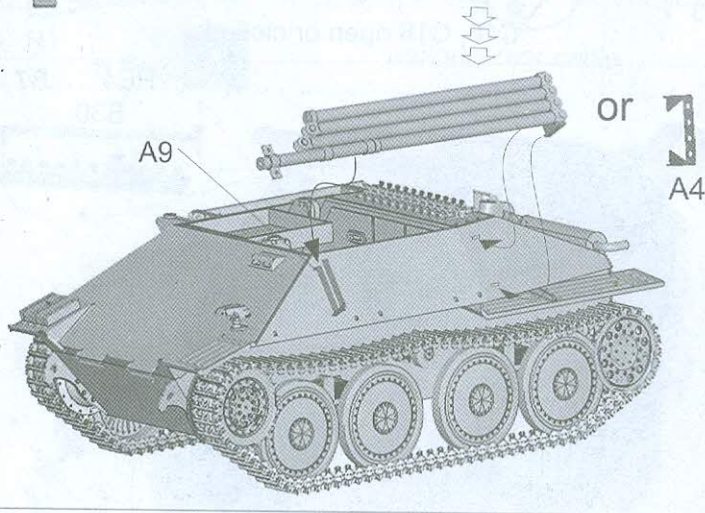
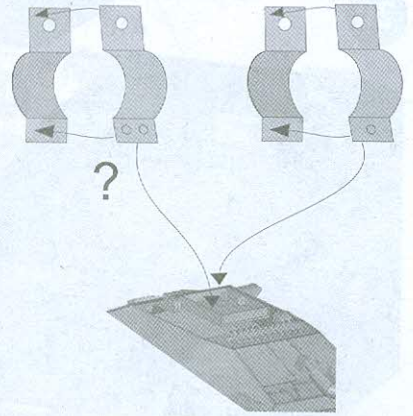
23 ?

Crane in travelling position



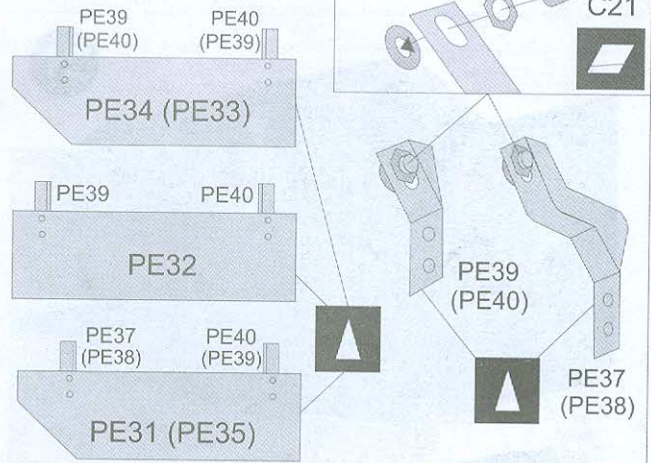
PE22 Make three

PE23

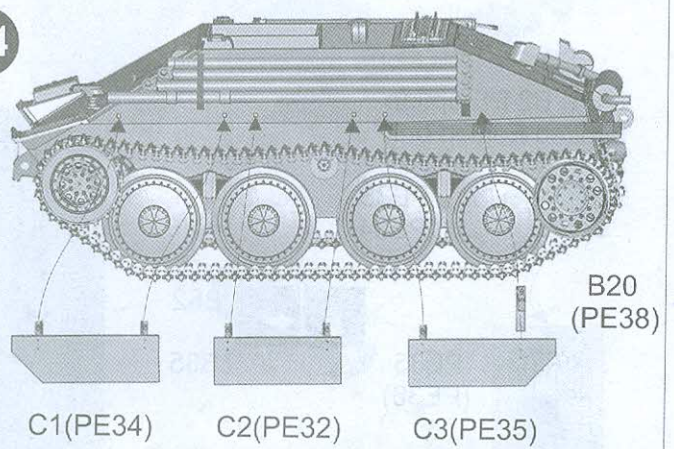
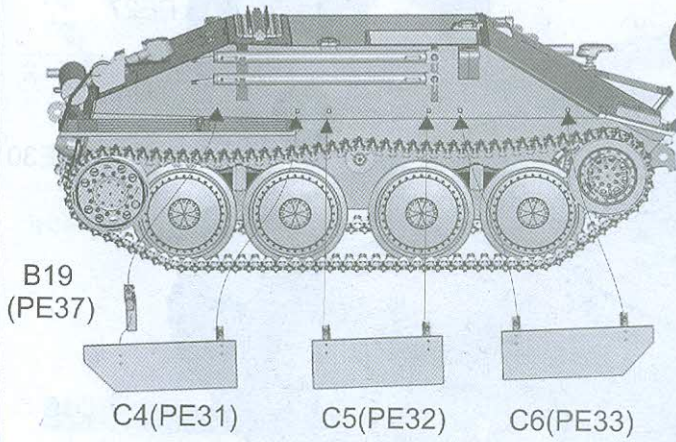


PE Skirts (Limited edition only)

PE42 PE41

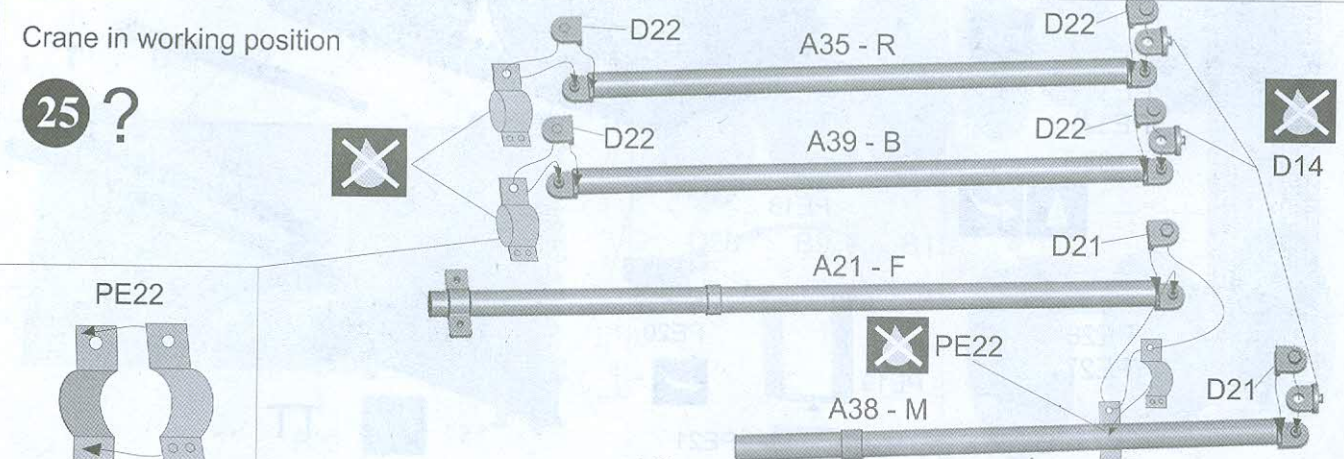


24

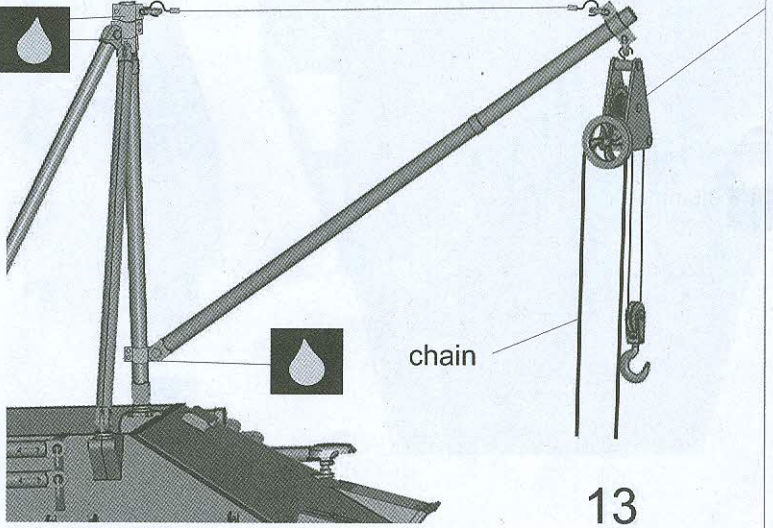
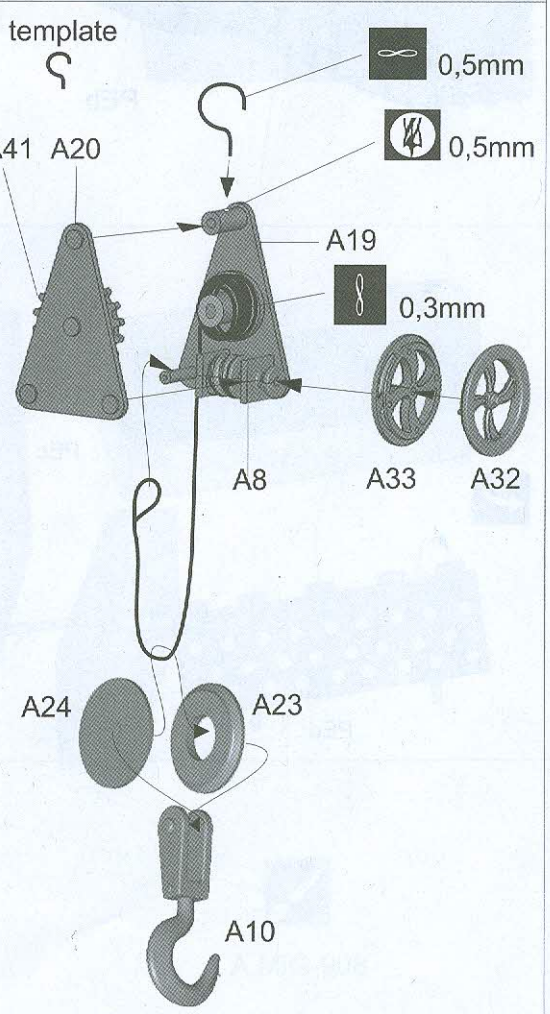
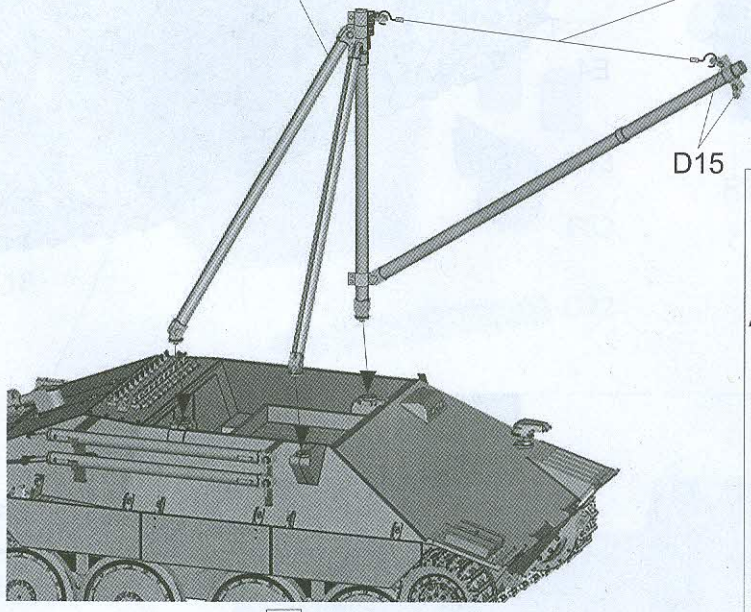
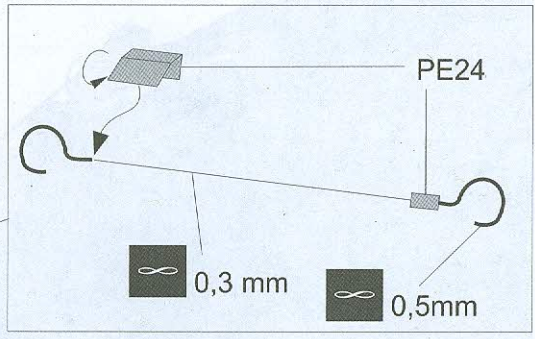
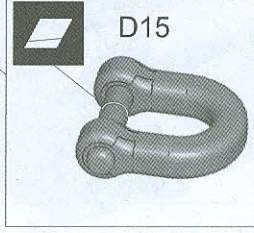
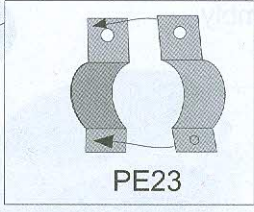
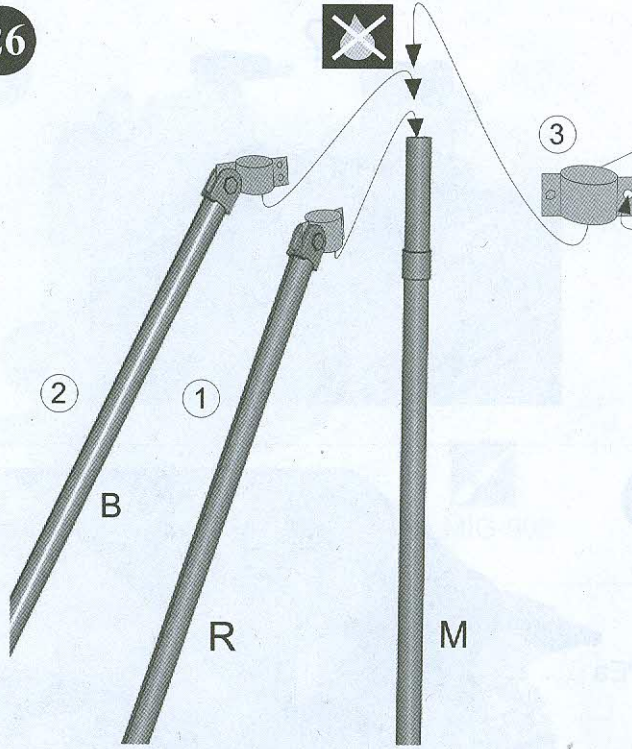


Crane in working position

25 ?

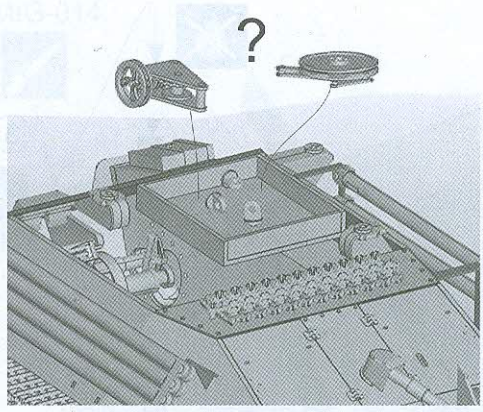
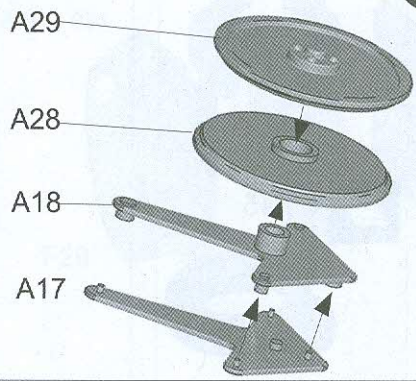


26

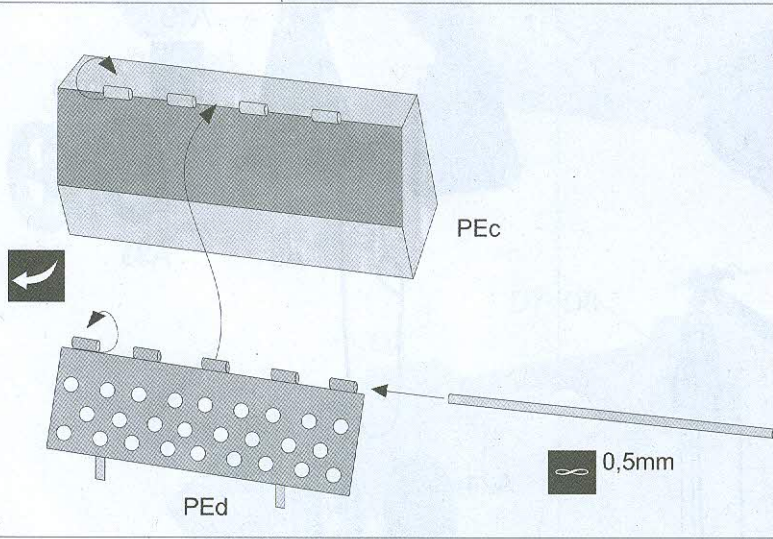
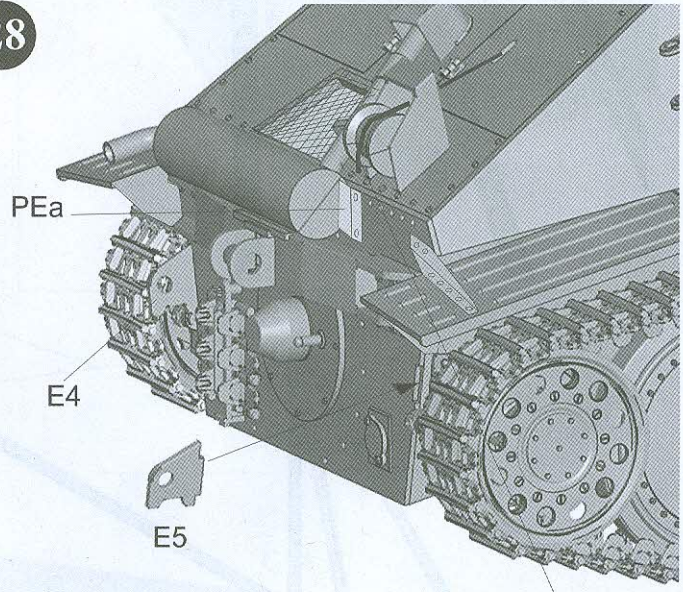
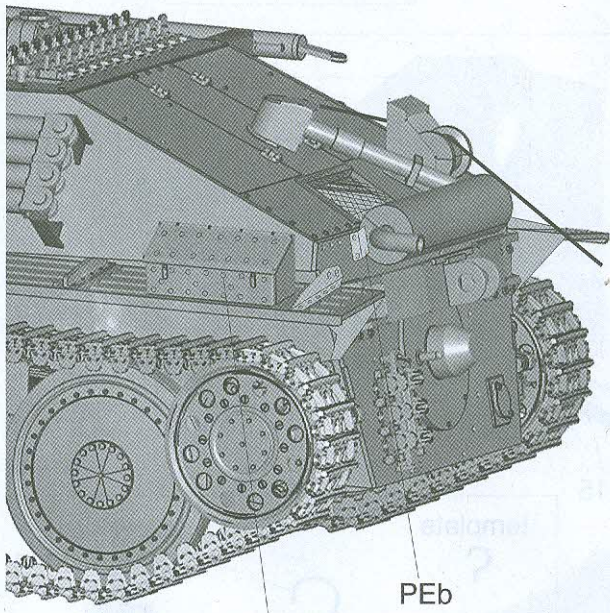


Pulley assembly

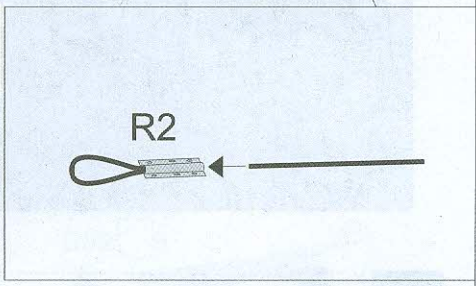
27

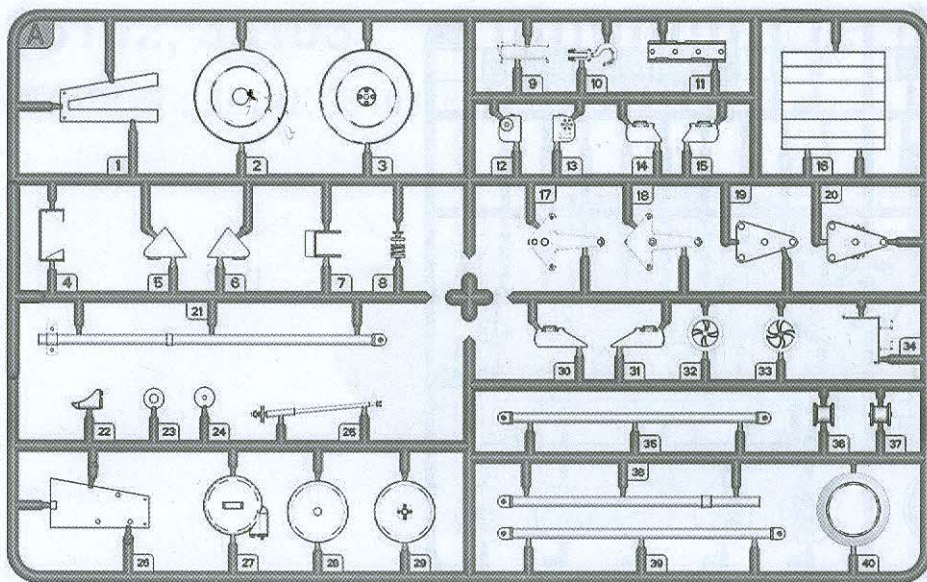


28

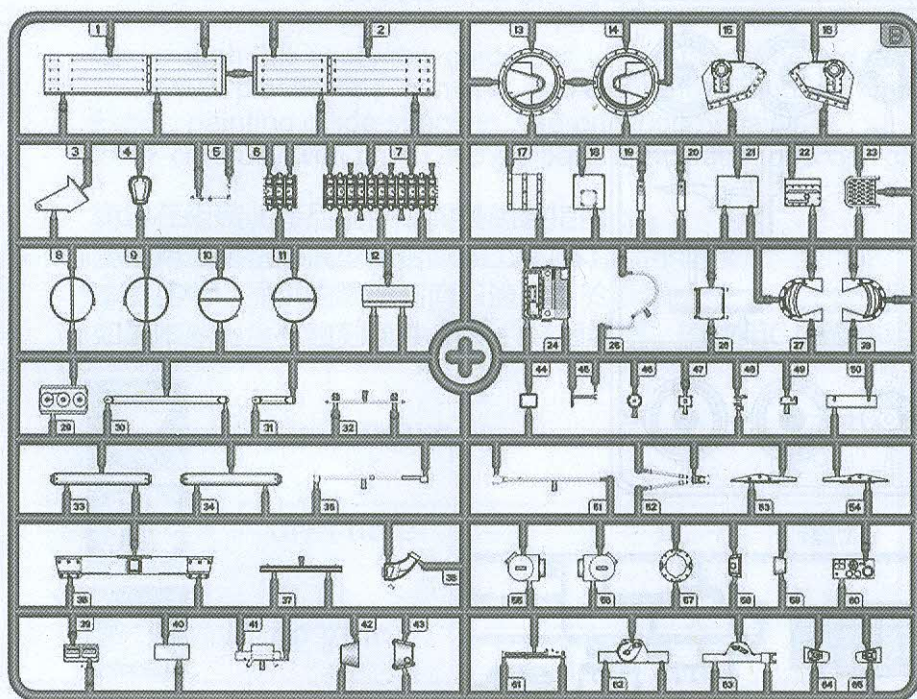


C/A

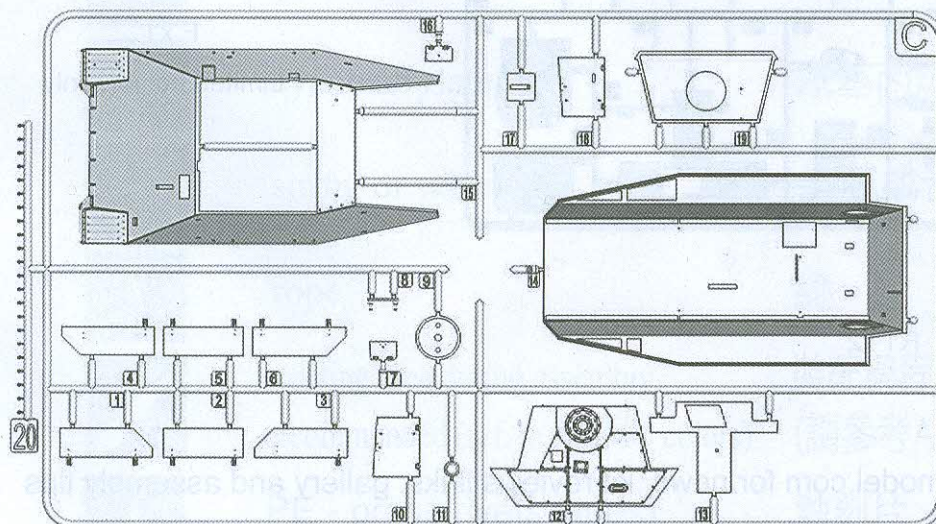




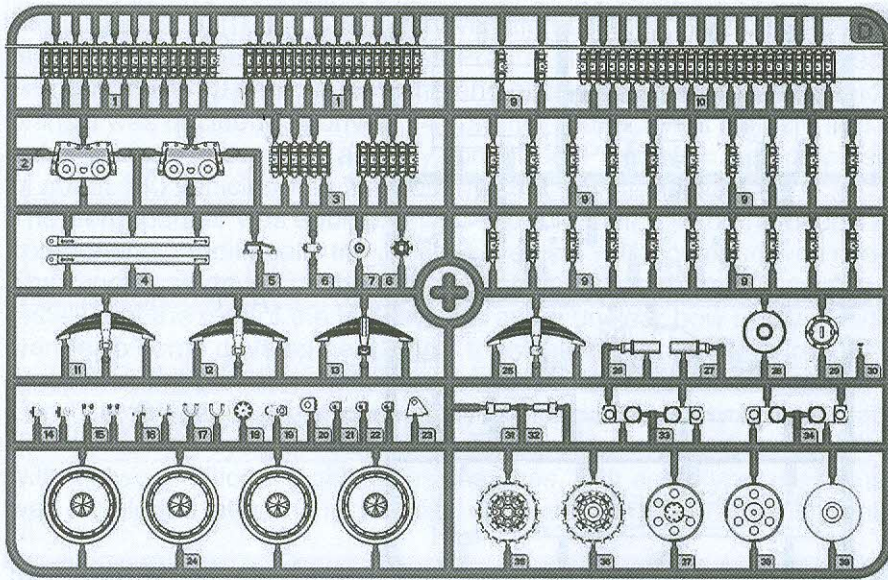
A x1



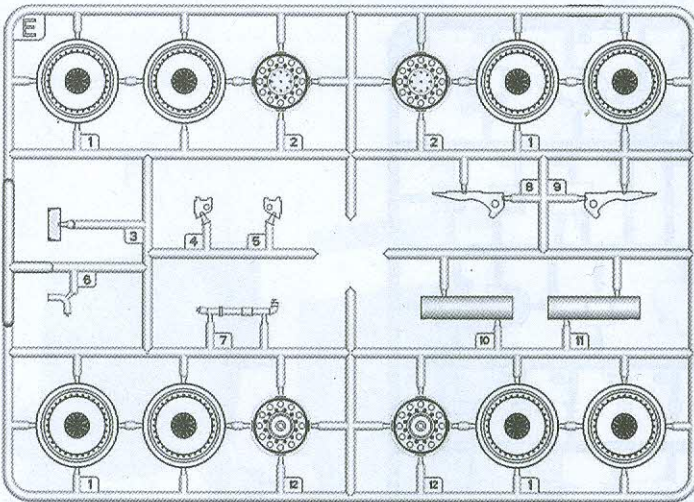
B x1



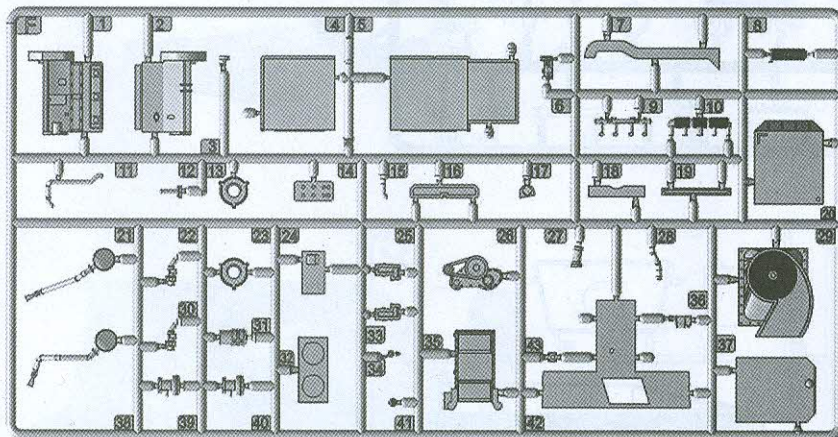
C x1



D x2



E x1



F x1  
Limited edition only



Visit us at [www.Thundermodel.com](http://www.Thundermodel.com) for news, kit reviews links, gallery and assembly tips





Color info and profiles by



# BERGEPANZER 38 HETZER EARLY

Ref: TM35102  
TM35103

## Painting and Marking Guide

Germany, Early 1945.

A.MIG 002 Olivegrün Opt.2

A.MIG 010 Dunkelgelb (Mid War)

A.MIG 014 Rotbraun

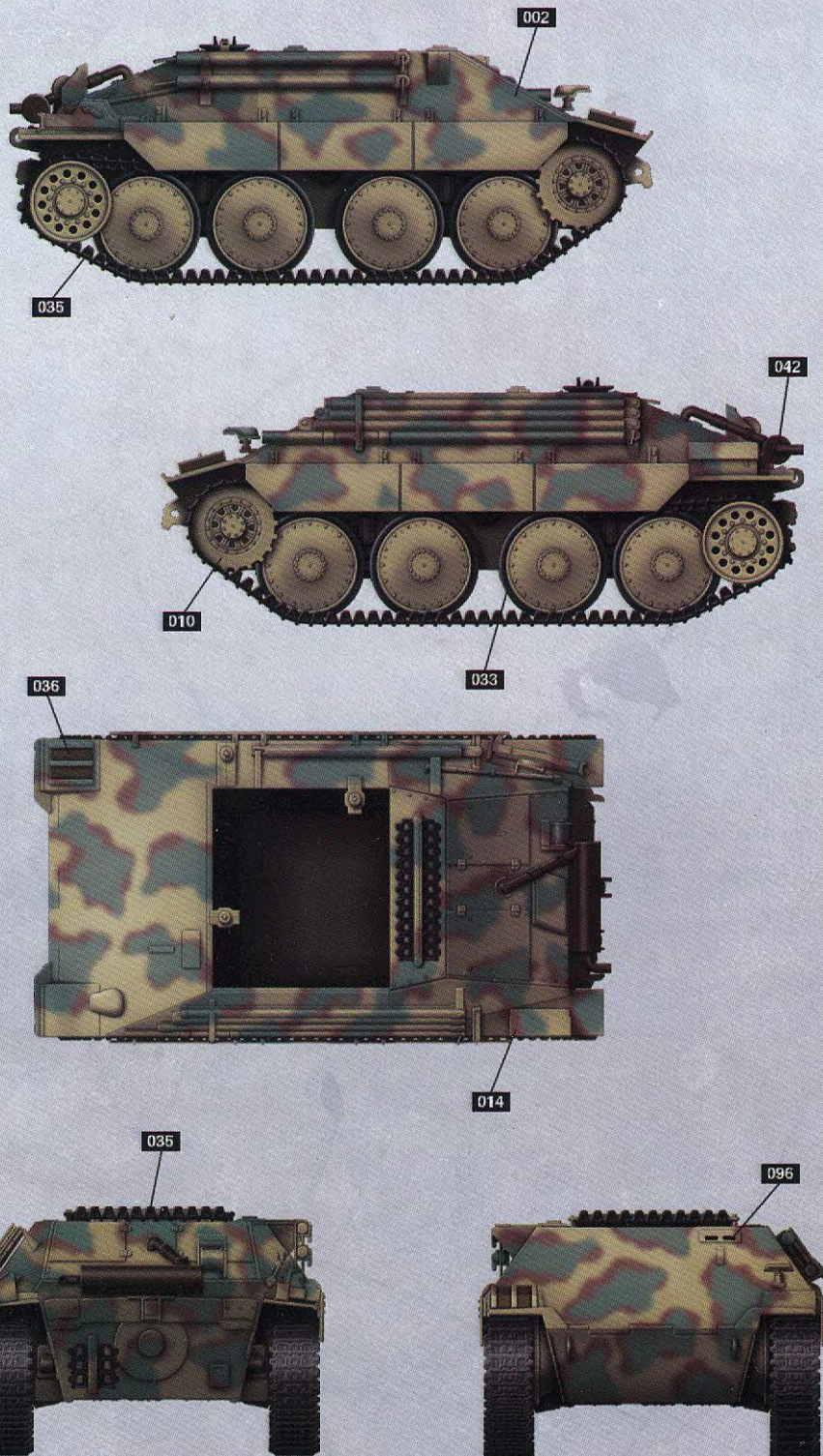
A.MIG 033 Rubber & Tires

A.MIG 035 Dark Tracks

A.MIG 036 Old Wood

A.MIG 042 Old Rust

A.MIG 096 Crystal Periscope Green





Color info and profiles by



# BERGEPANZER 38 HETZER EARLY

Ref: TM35102  
TM35103

## Painting and Marking Guide

BMM, (Prague/CKD) 1945.

- A.MIG 003 Resedagrün
- A.MIG 017 Cremeweiss
- A.MIG 033 Rubber & Tires
- A.MIG 035 Dark Tracks
- A.MIG 036 Old Wood
- A.MIG 042 Old Rust
- A.MIG 070 Medium Brown
- A.MIG 096 Crystal Periscope Green

