

# MIG-17F Soviet Interceptor

## 前苏联 米格-17F 拦截机

From Vietnam to the Middle East, Africa to Afghanistan, the MIG-17F carved out a reputation as one of the most important combat aircraft developed since World War II. Due to its simple, rugged and maneuverable, over 10,000 MIG-17F served in 30 air forces since 1953. And as of late 1986, 21 nations still boasted inventories of this reliable little fighter. The other important improved version included the MIG-17PF and MIG-17PFM all-weather aircraft.

从越南、到中东、非洲，再到阿富汗，苏制米格-17F拦截机赢得了第二次世界大战后世界上最重要的战斗机之一的美名。这种简单、粗糙然而却有良好的机动性能的战斗机，自1953年来，竟生产了多达10,000架以上，分别在30个不同国家的空军中服役。直到1986年末，仍有21个国家的空军在大量使用这种性能可靠的小型战斗机。这种飞机的其他重要改进型还有 米格-17PF及 米格-17PFM全天候战斗机。



### Attention-Useful Advice

1. Study the instructions carefully prior to assembly.
2. Check the fitness of each part before assembling.
3. Remove parts from frame with a sharp knife or a pair of scissors and trim away excess plastic. Be careful, do not break off any plastic parts.
4. Don't pull off the parts from frame.
5. Use plastic cement only and use cement sparingly to avoid damaging the model.
6. Paint small parts before detaching them from frame.
7. Remove paint where parts are to be cement.
8. Parts with shadows are not used for this model.

### CAUTION

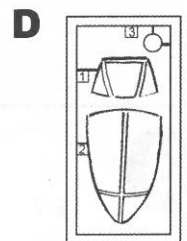
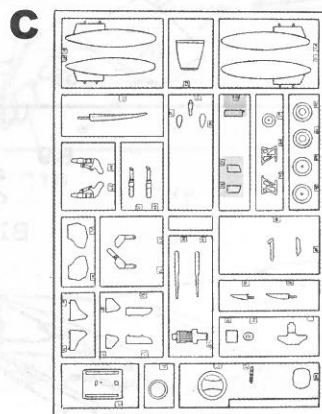
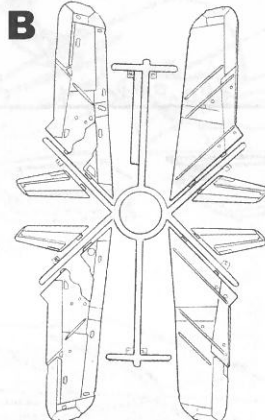
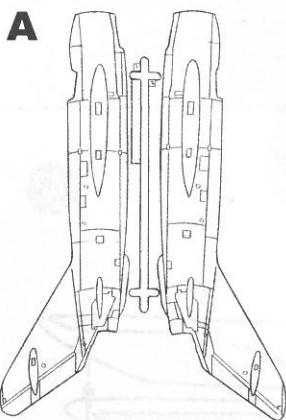
1. Before you start assembly, you should read all the instructions carefully.
2. Please have all the necessary tools ready before start assembling.
3. The removed plastic parts have sharp, pointed or jagged edges. Remove these with a file or sandpaper.
4. Do not use glue or paint near open flame. Keep the window open.
5. Plastic bags can be dangerous. To avoid danger of suffocation, keep this bag away from babies and children.
6. Keep out of the reach of children under 36 months old, as some parts are detachable. Children must not be allowed to suck any parts with this kits.
7. Please keep this instructions for future reference because it contains important information.

### 注意:拼装技巧提议

1. 拼装之前请仔细阅读说明书。
2. 拼装之前请检查每部份零件是否吻合。
3. 用小切刀或模型剪从注塑件中剪去多余的胶片，请小心，勿剪断塑胶零件。
4. 切勿从塑胶片中拉断零件。
5. 请使用模型专用胶水粘合，小心使用胶水以免损坏模型。
6. 请先替小零件涂上颜色，然后将小零件从塑胶片中取出。
7. 请刮去零件要沾合处的油漆。
8. 阴影部分的零件不是作为装配此模型之用。

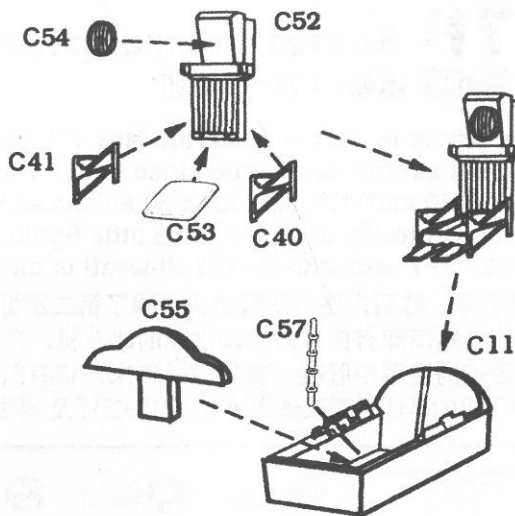
### 小心:

1. 请在拼装之前，仔细阅读所有说明书。
2. 请在拼装之前，准备好所需工具。
3. 移去的塑胶零件会有尖锐的锯齿状的边缘，用小锉子或沙纸磨掉。
4. 切勿在火旁使用胶水或油漆，应保持窗户通风。
5. 胶袋可以造成危险，为避免窒息，请勿让婴儿及小孩接触此胶袋。
6. 由于部分零件是可以分开的，切勿让3岁以下小孩接触。禁止让此模型的零件让小孩含入口中。
7. 请保留此说明书作为将来参考之用，因为此说明书包含重要资料。

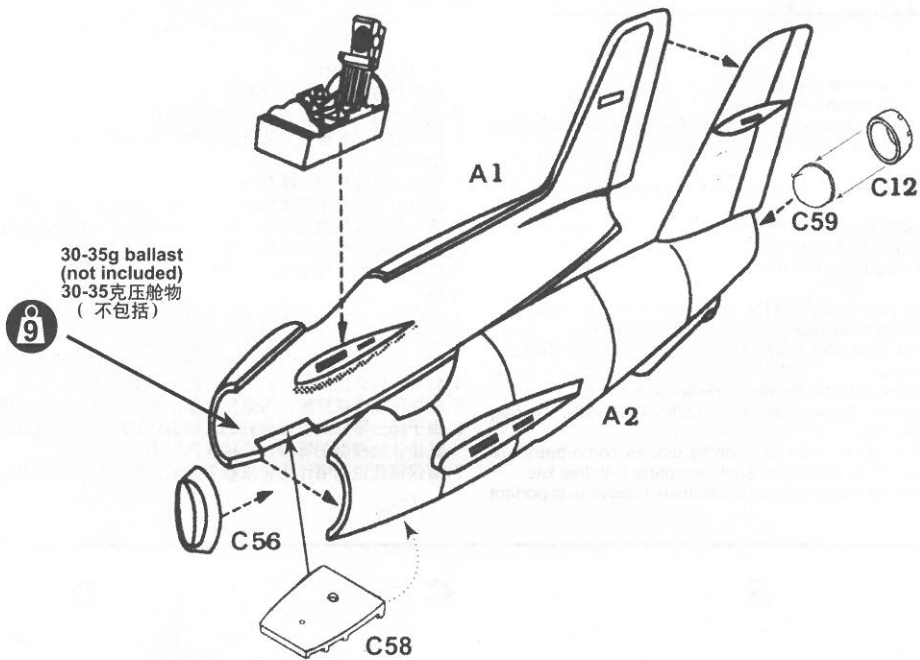


Parts not for use  
阴影部分是多余的组件

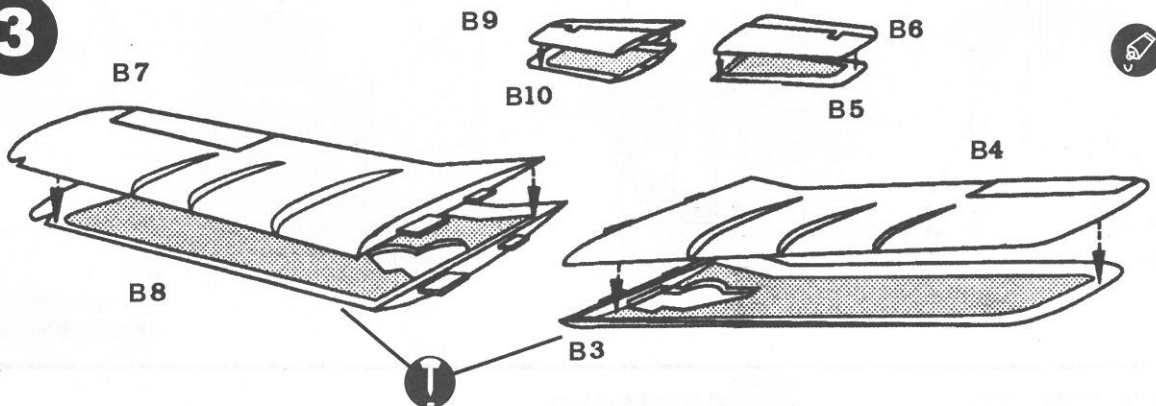
1



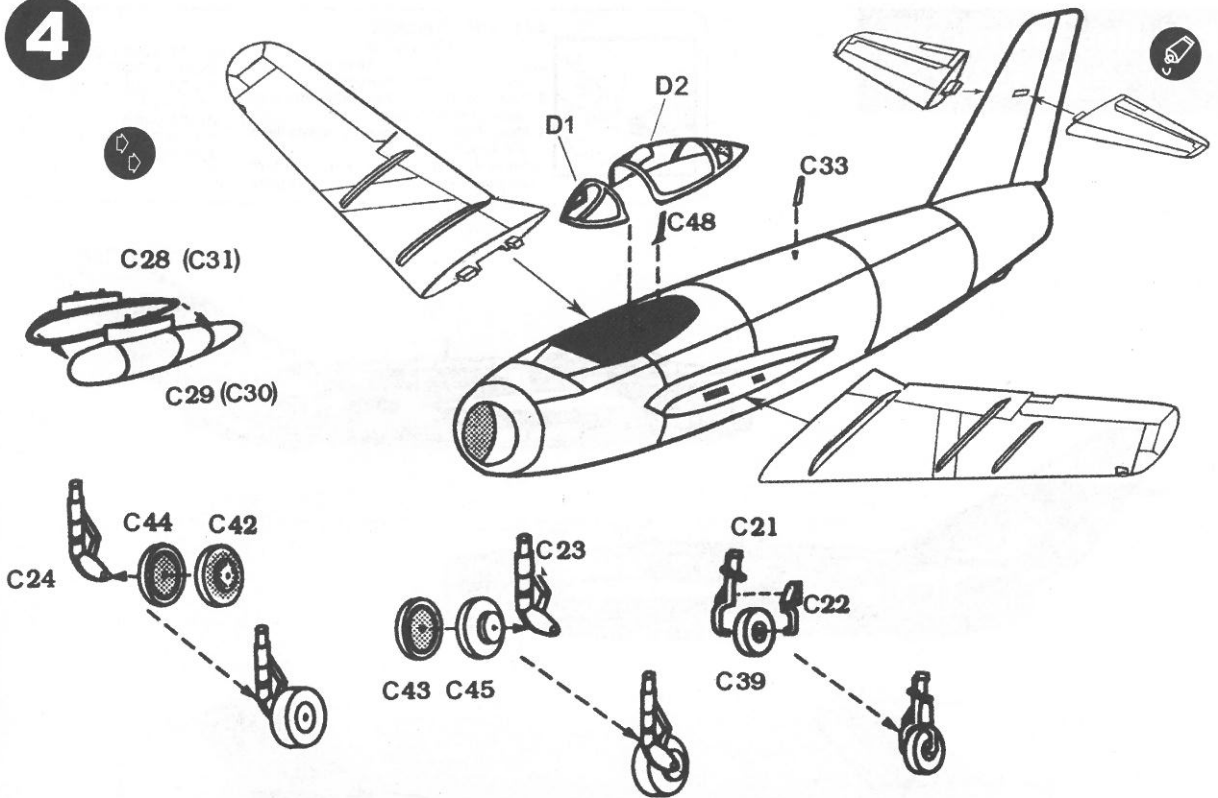
2



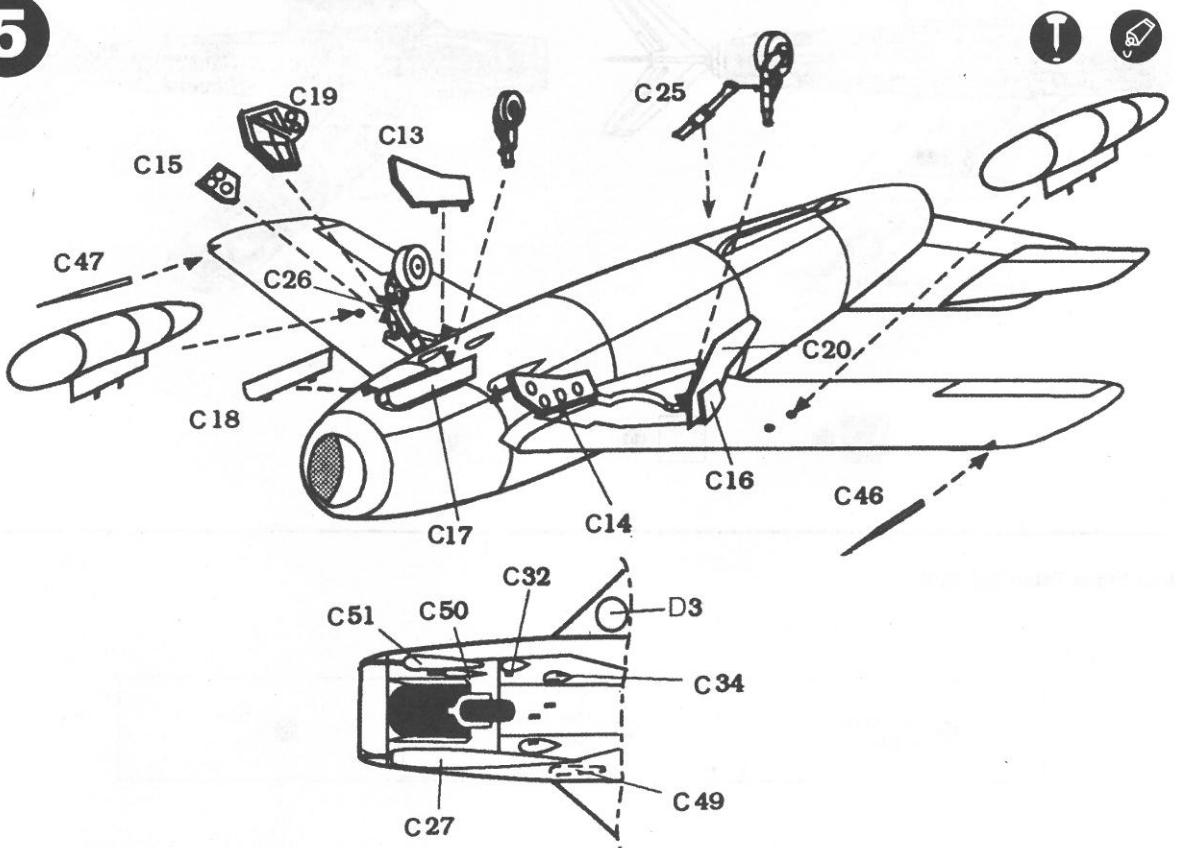
3



4



5



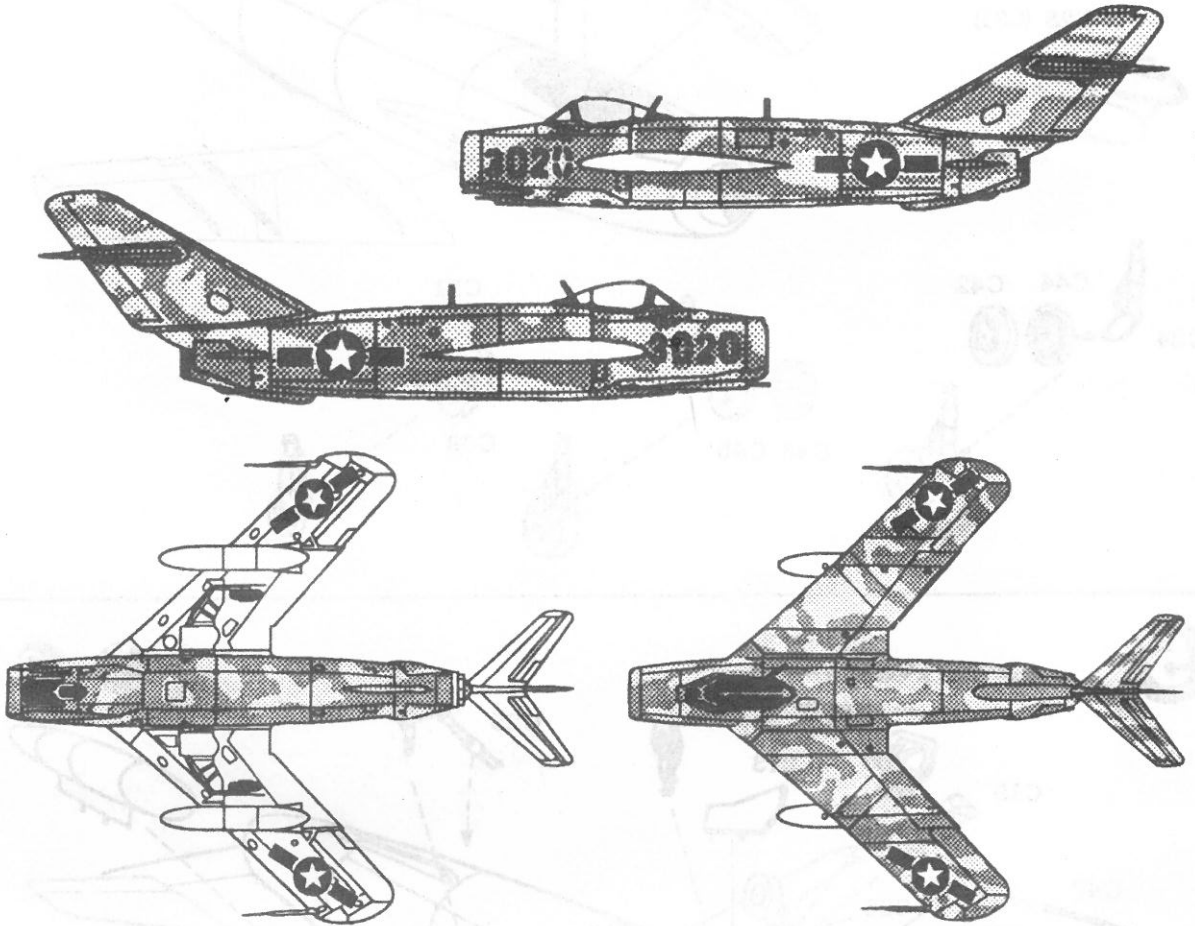
# Painting instruction 涂装指导



## APPLYING DECALS

1. Cut off decal from sheet.
2. Dip the decal in tepid water for about 10 second place on a clean cloth.
3. Hold the backing sheet edge and slide decal onto the model.
4. Move decal into position by wetting decal with finger.
5. Press decal gently down with a sof cloth until excess water and air bubbles are gone.

印花(印花水贴纸)应用  
 · 由印花纸剪下印花。  
 · 将印花放入温水中约10秒, 然后放于干净布上。  
 · 将印花移入模型上。  
 · 手指沾水移放印花到位。  
 · 用软布轻轻压印花直到水泡消失。



## Colour Index Table 颜色指示

<p><b>F2</b> Dark Green 深绿色</p>	<p><b>F1</b> Olive Drab 橄榄绿</p>	<p><b>G</b> Silver 银色</p>
-------------------------------------	-------------------------------------	-------------------------------

3020 3020



**Kitech**<sup>™</sup>  
正德福

**08M-3308H**

**1/48**

**MIG-17F Soviet Interceptor**