

1:35 '39-'45 SERIES

# Sd.Kfz.7/1 2cm FLAKVIERLING 38 auf SELBSTFAHRLAFETTE

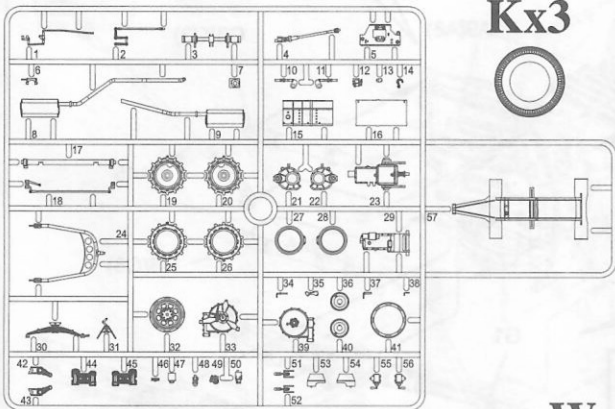
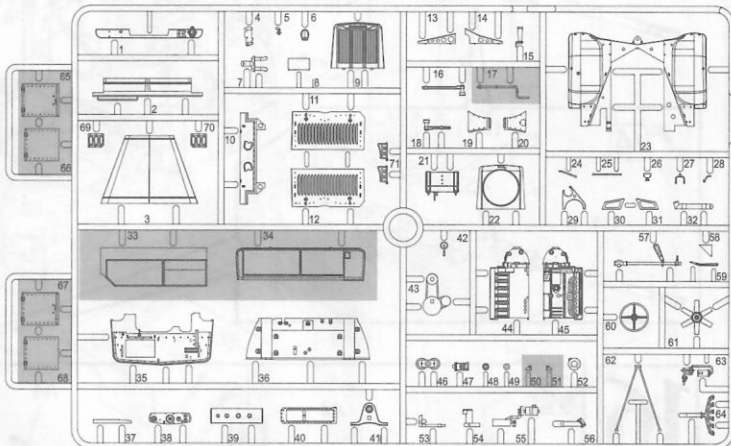
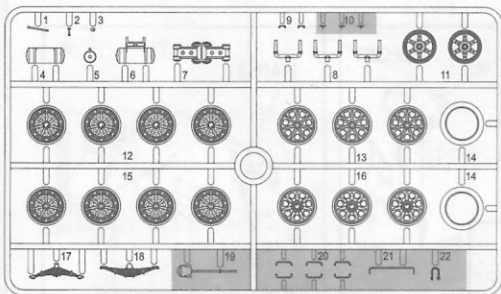
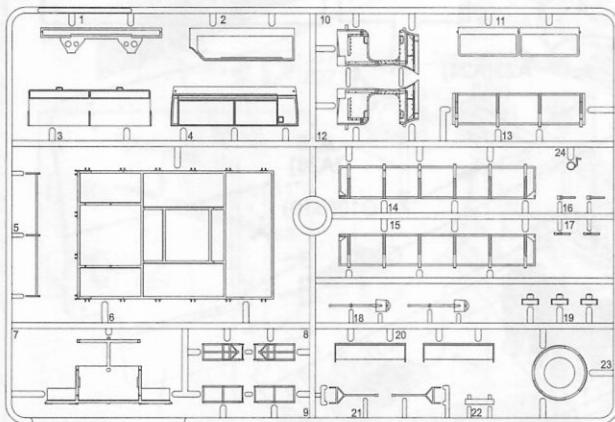
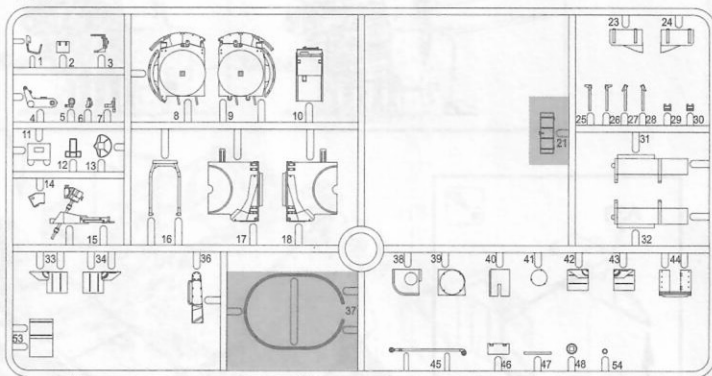
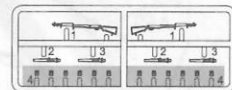
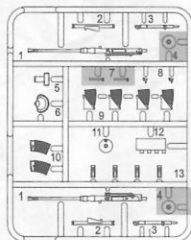
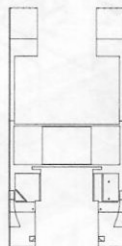
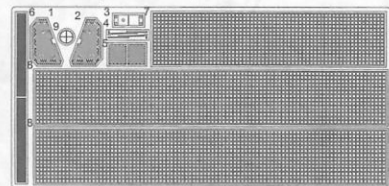
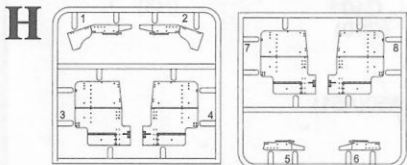
**Smart  
Kit**

 **DRAGON**

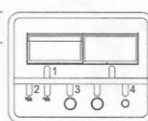


Project supervised by HIROHISA TAKADA.  
Technical drawings provided by H3 DESIGN OFFICE and DAN GRAVES.  
Thanks to TOM COCKLE and GARY EDMUNDSON as technical consultants.

KIT NO. 6525

**B****Kx3****D****Cx2****W****J****A****WA****Gx2****X****MA** (Photo-etched Parts)**H**

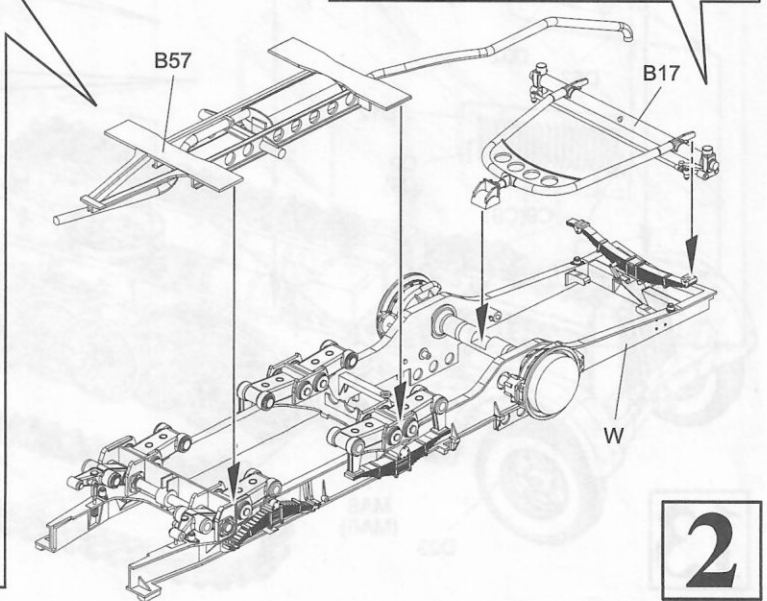
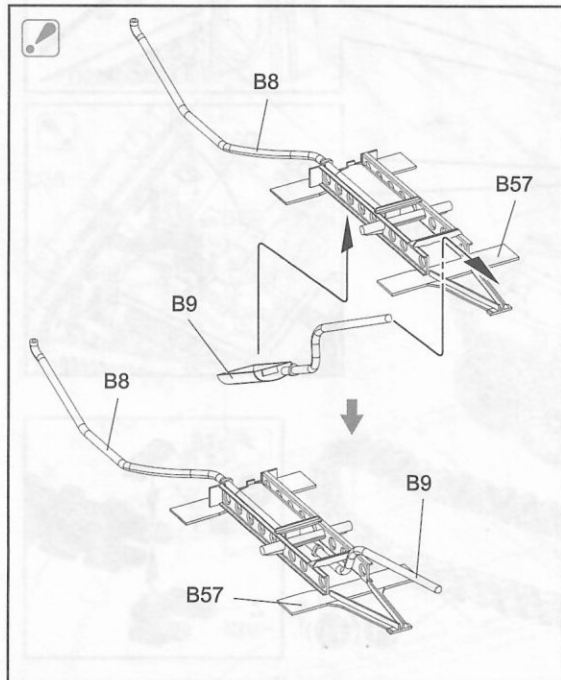
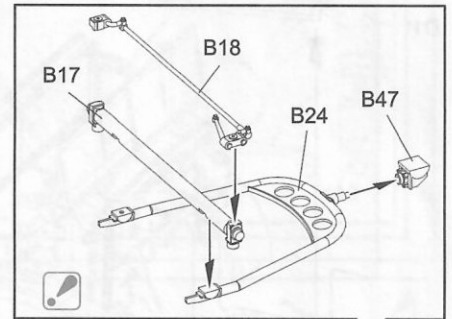
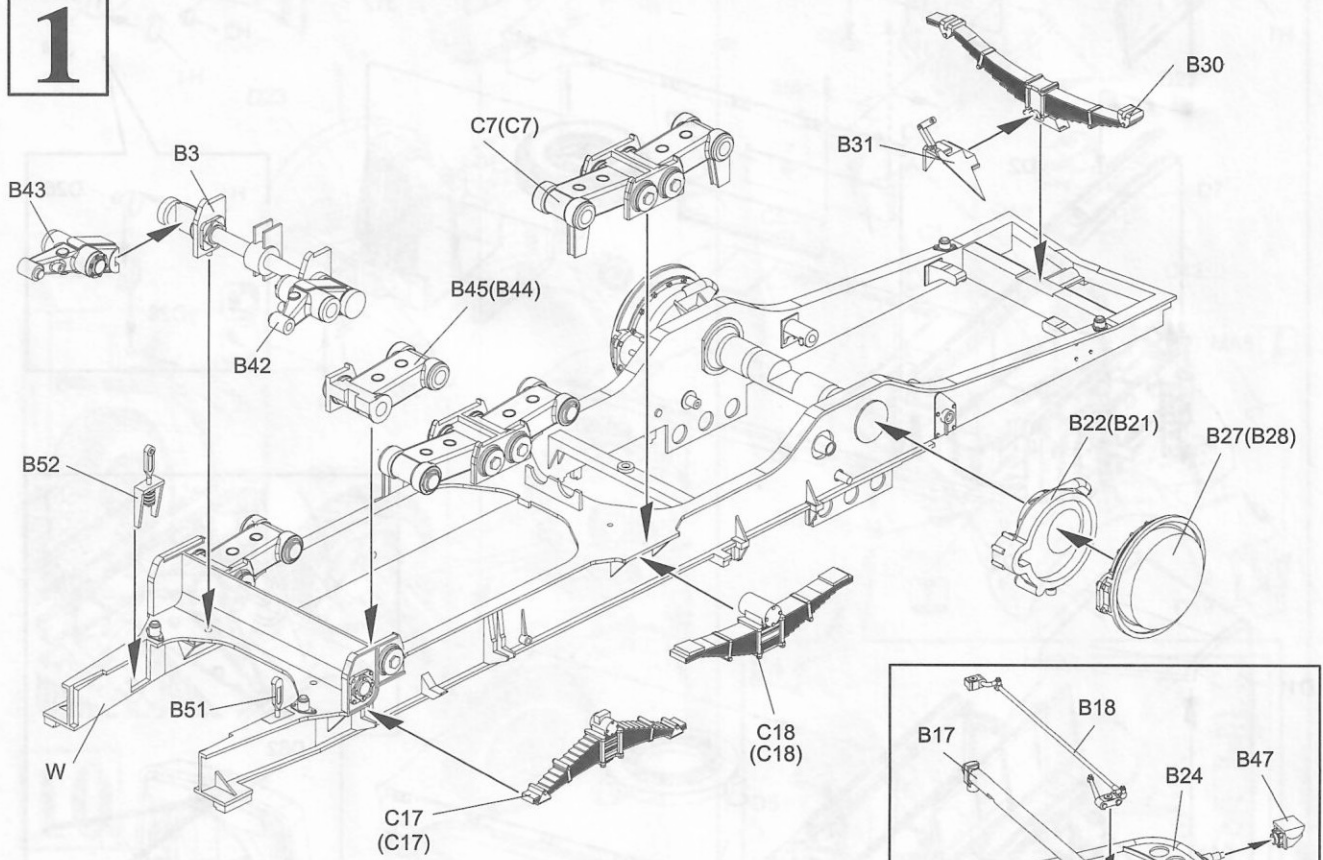
**MagicTrack**  
 PATENT REGISTERED  
 実用新案登録済み

**Yx54****Zx54****H**

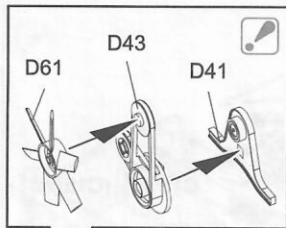
この部品は使用しません  
 Parts not for use.  
 Teile werden nicht verwendet.  
 Pièces a ne pas utiliser.  
 Partì nin ulizzat.  
 不需要使用的部件



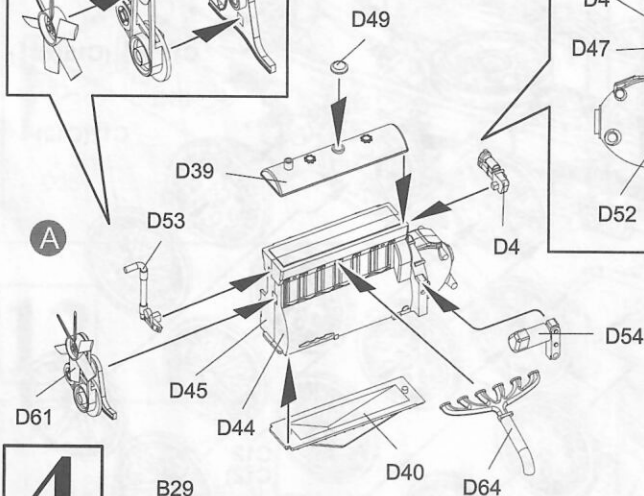
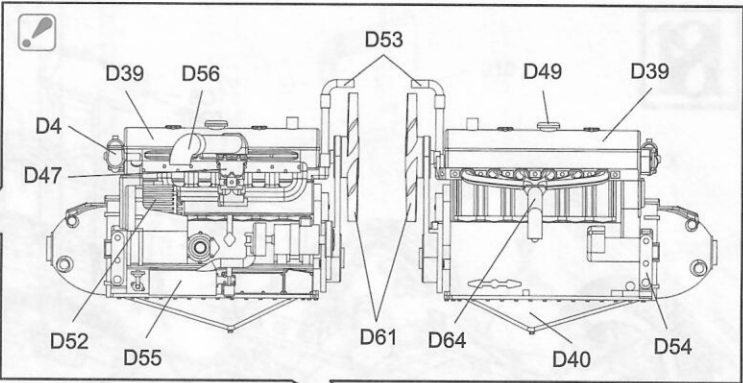
# 1



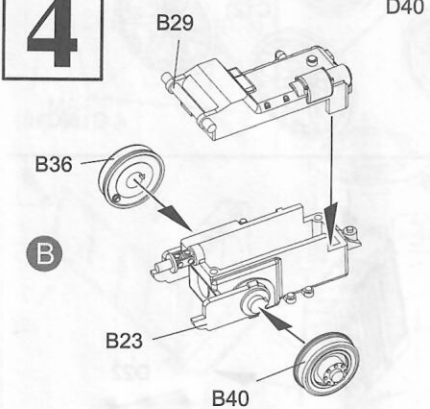
# 2



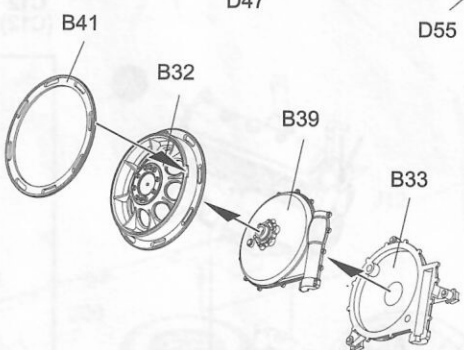
**3**



**4**

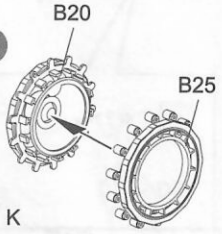


**C**



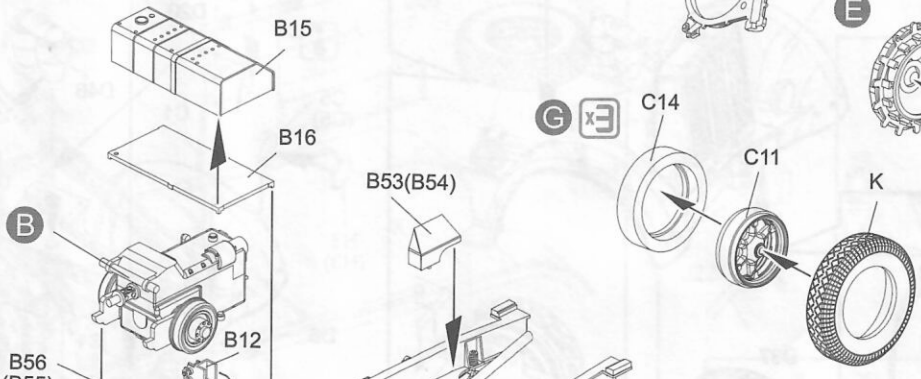
**5**

**E**



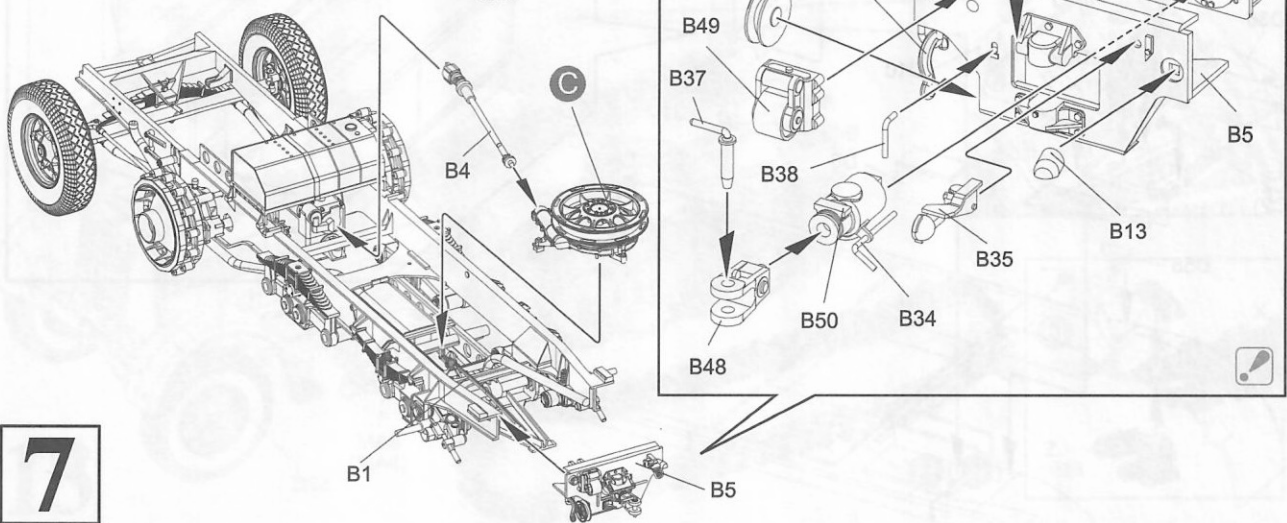
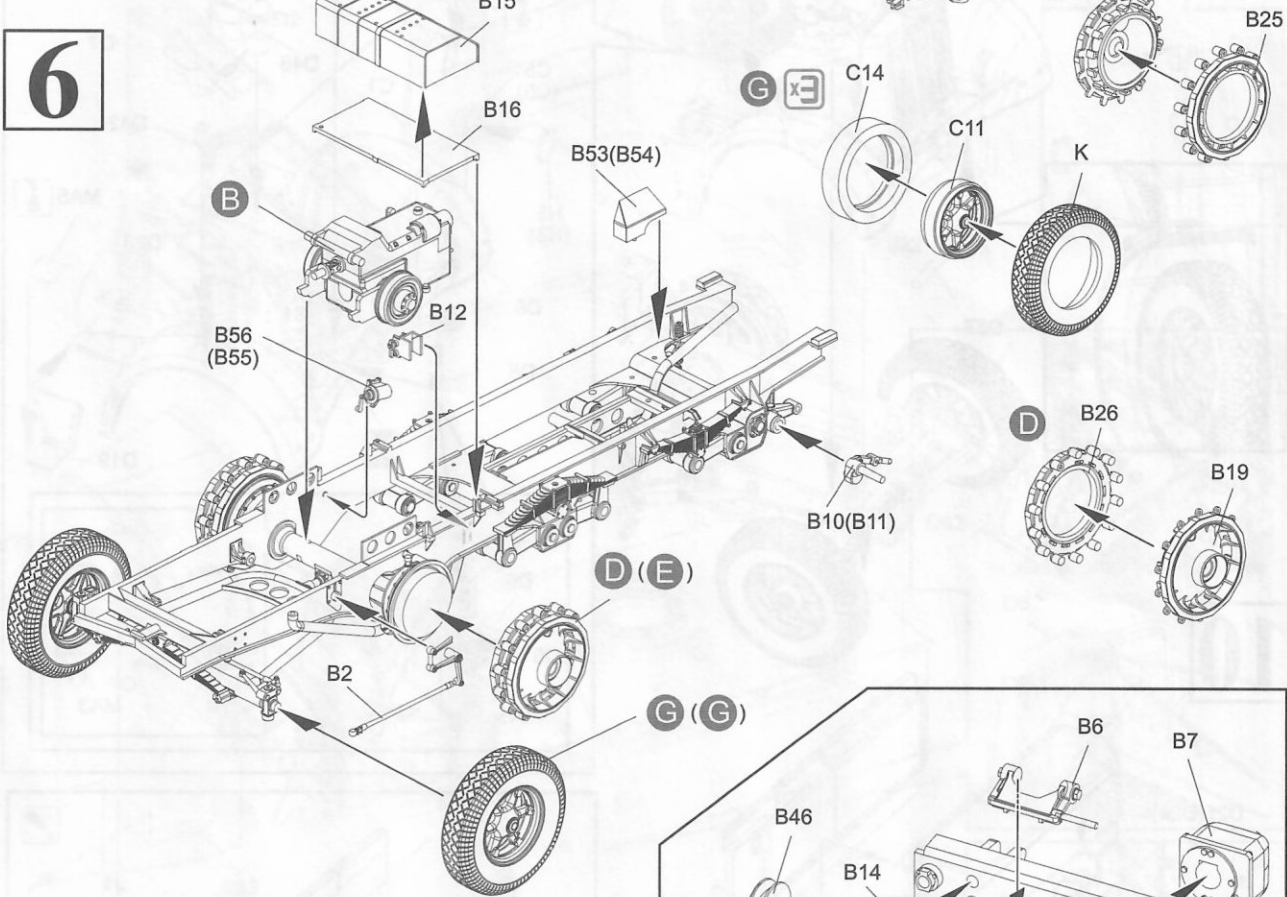
**6**

**G** x3



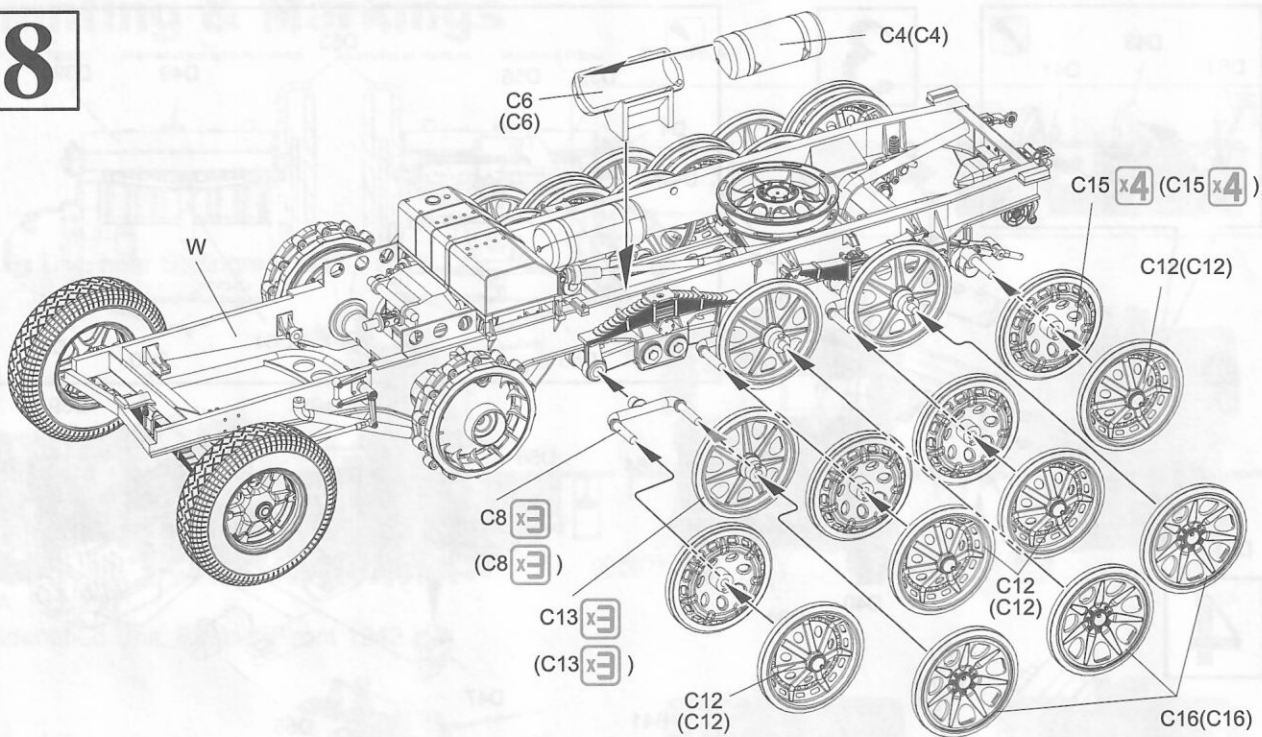


6

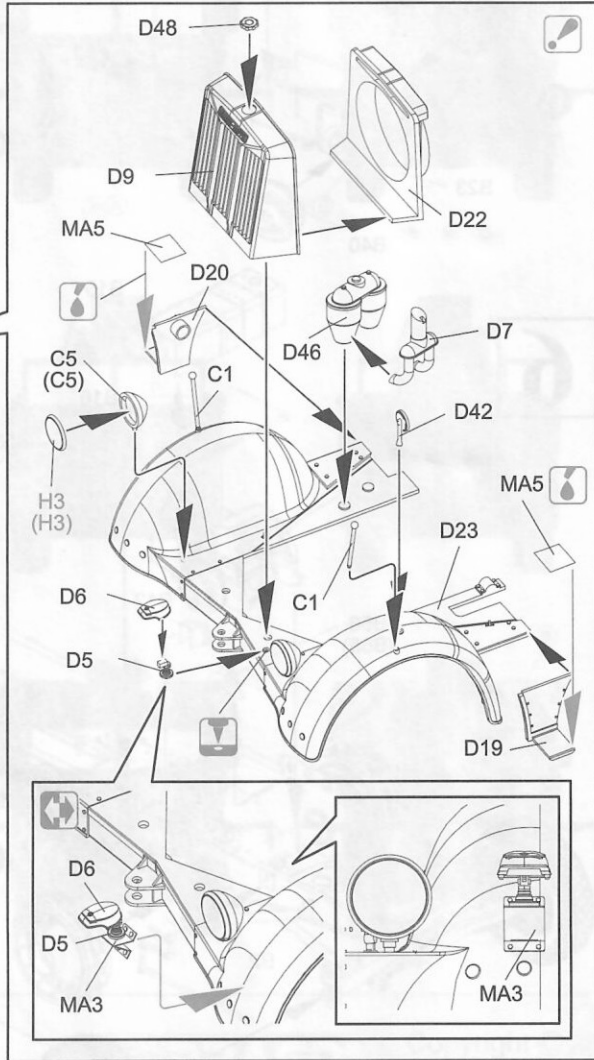
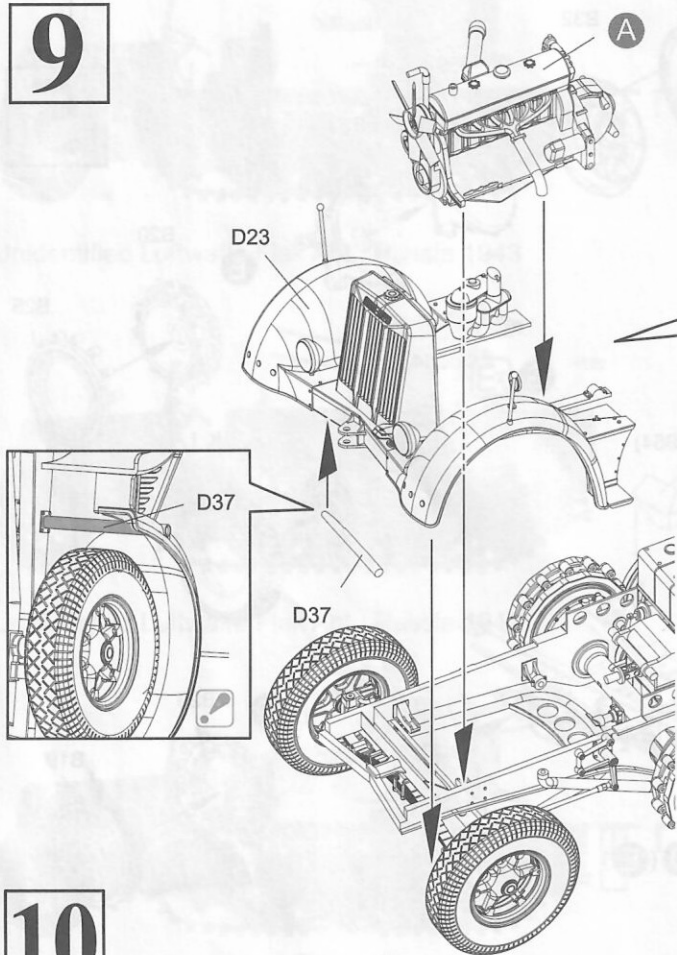


7

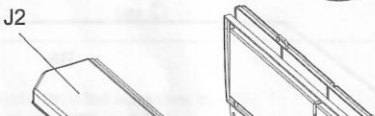
8



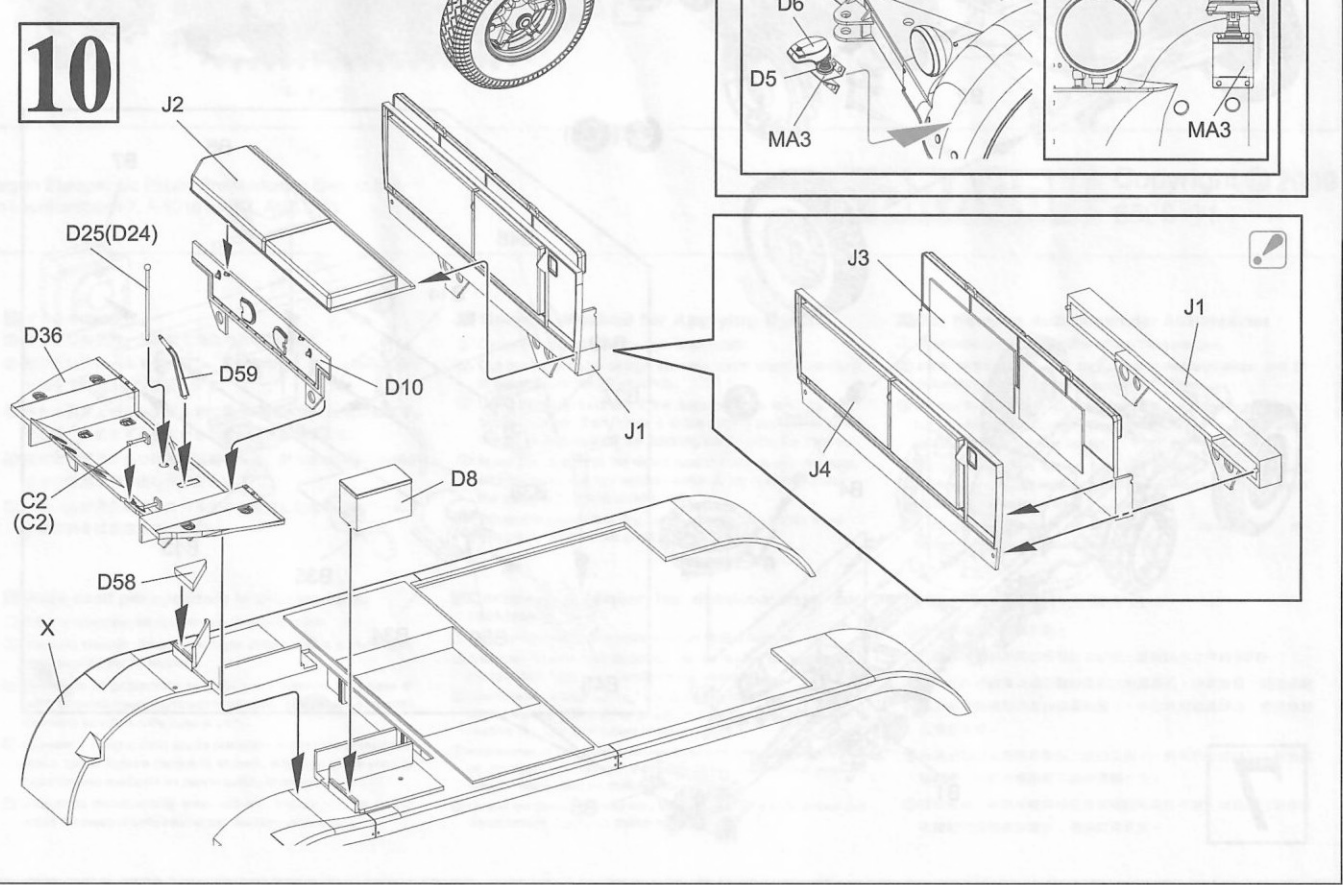
9



10

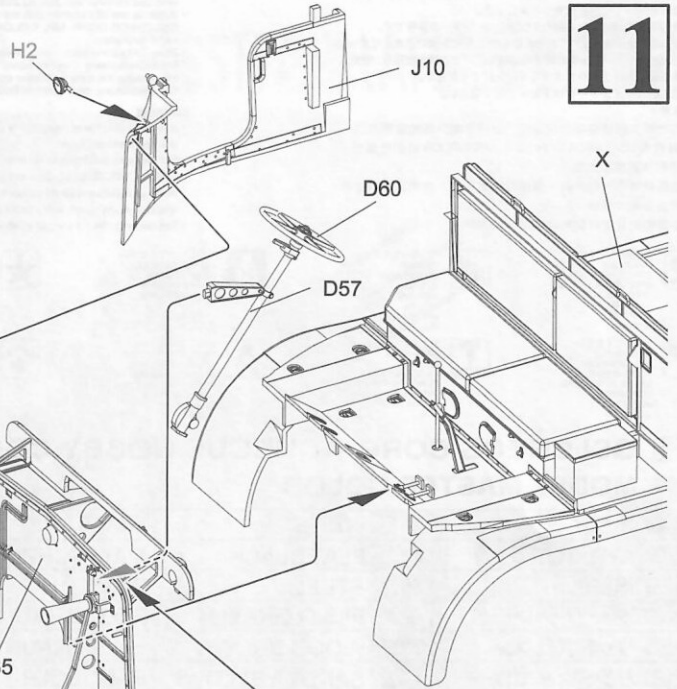
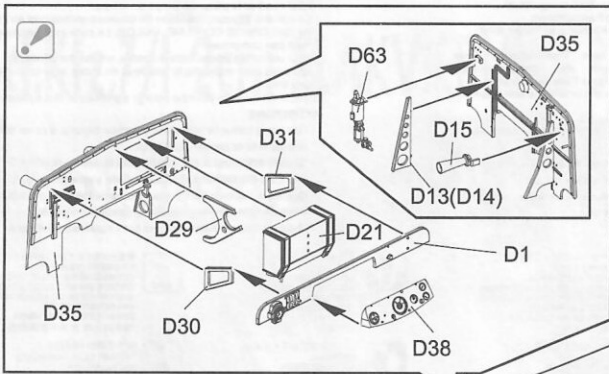


# 10

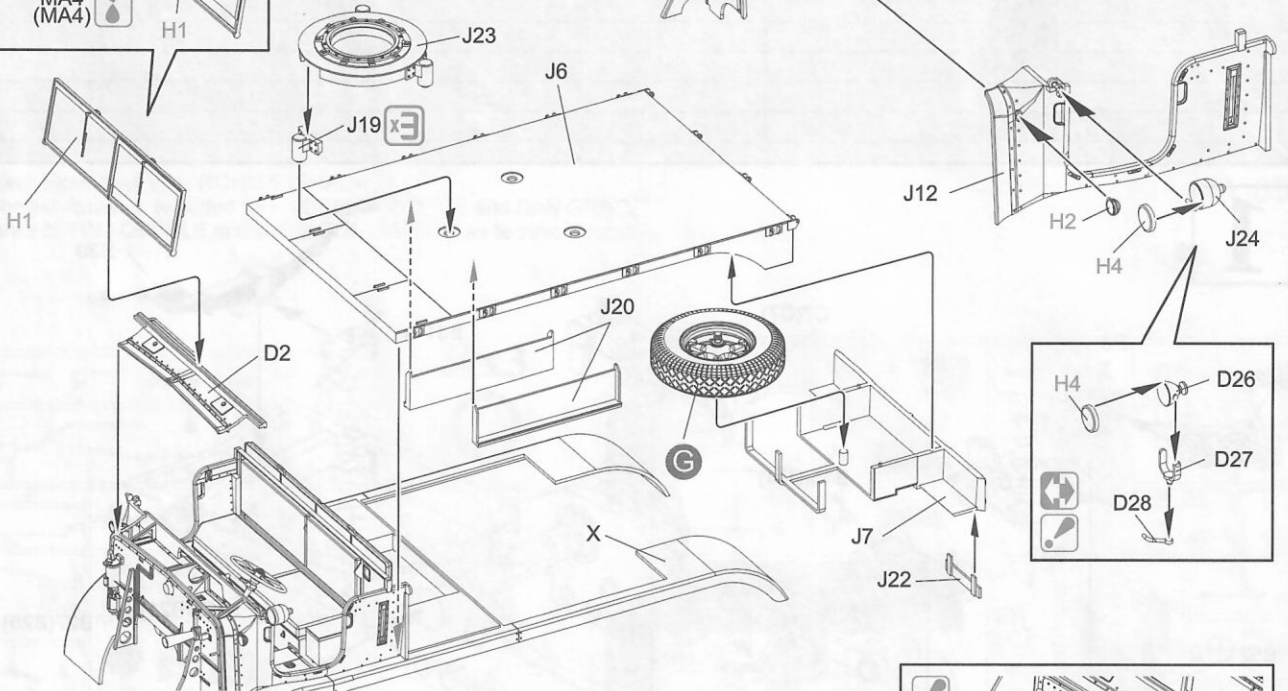
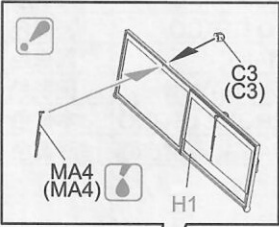


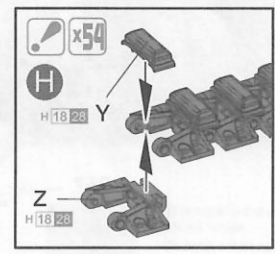
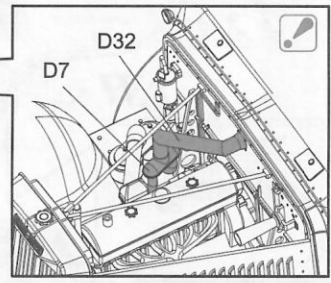
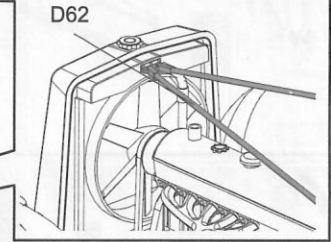
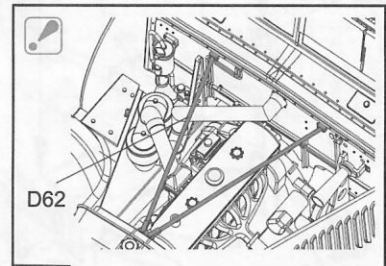
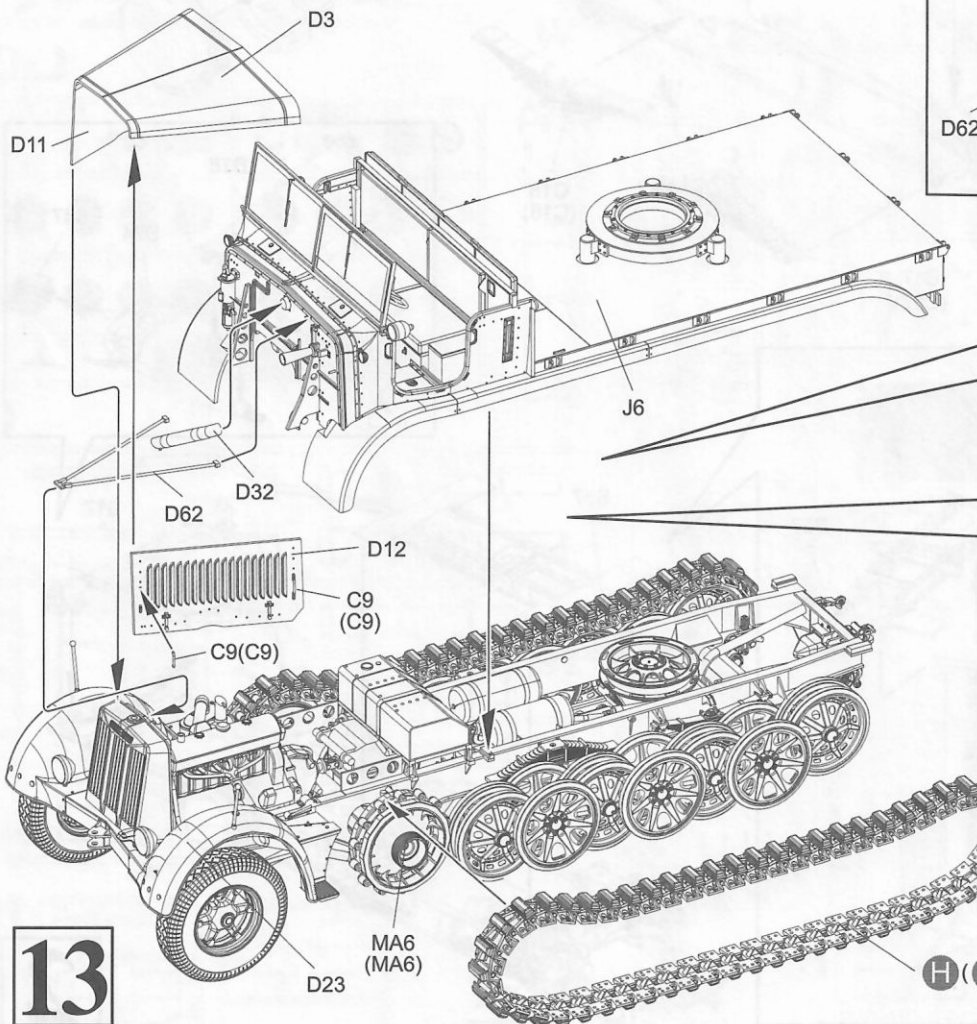


# 11



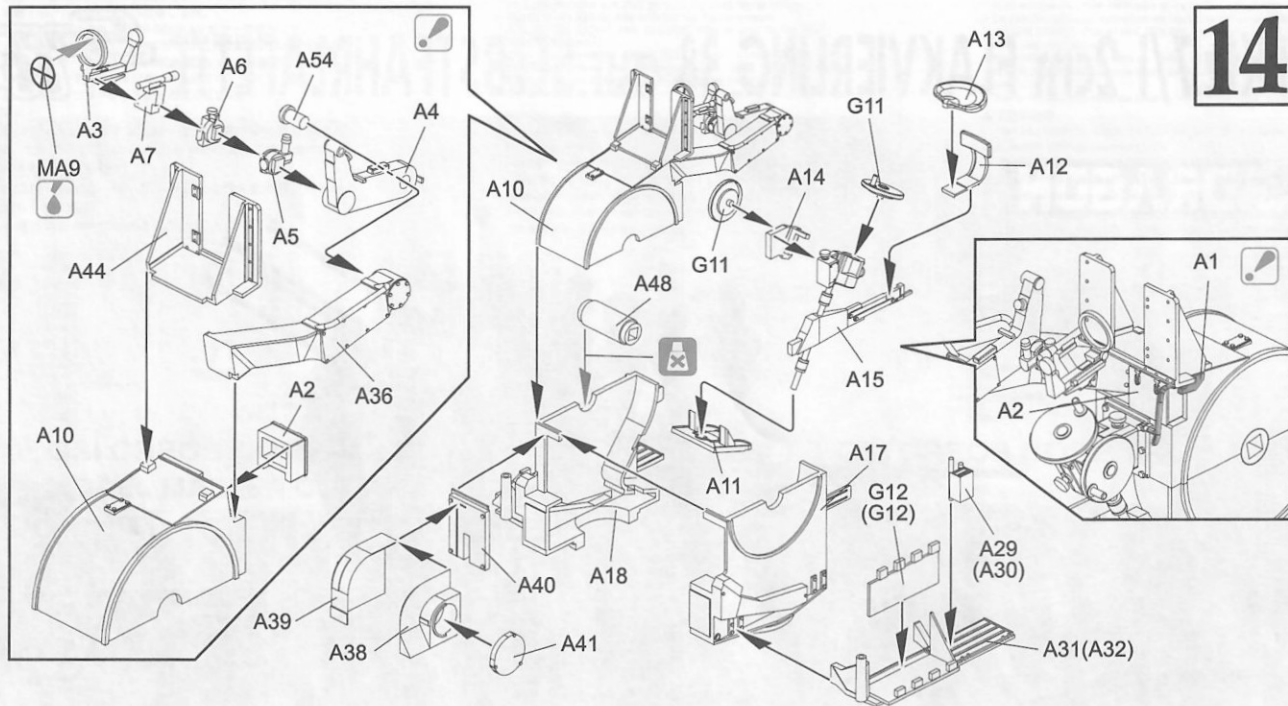
# 12



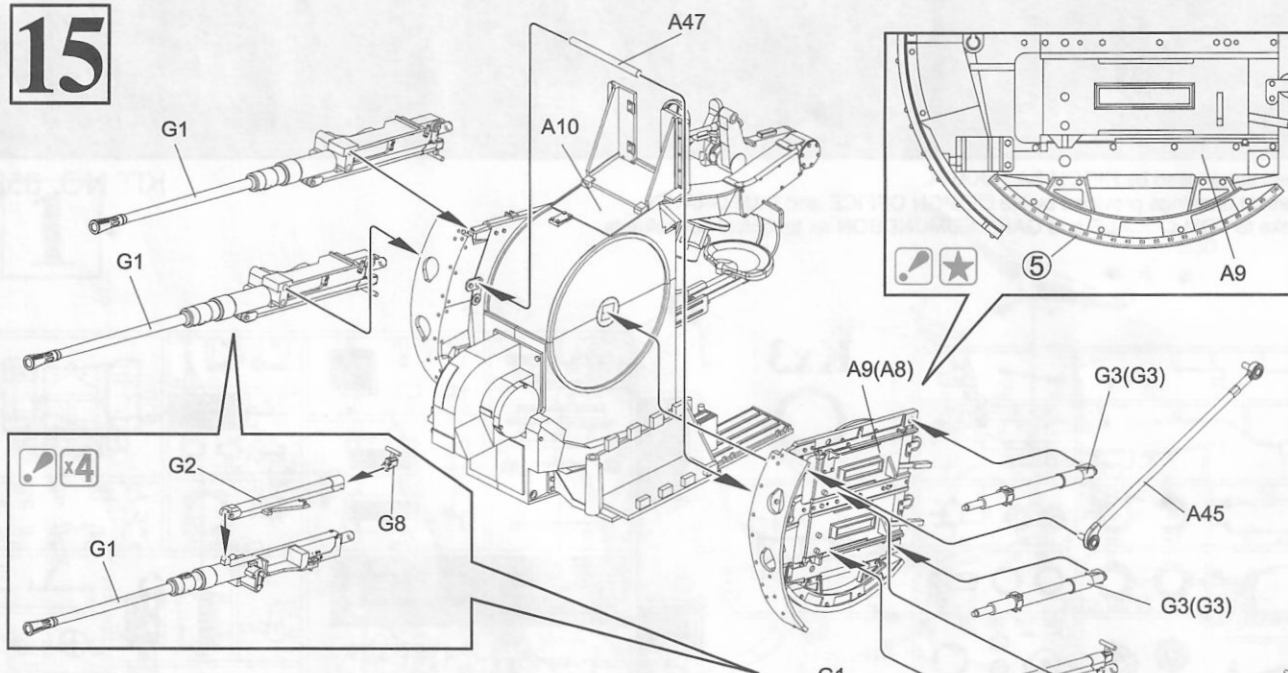


13

# 14

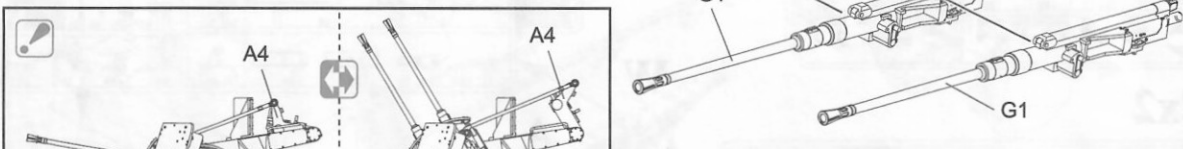


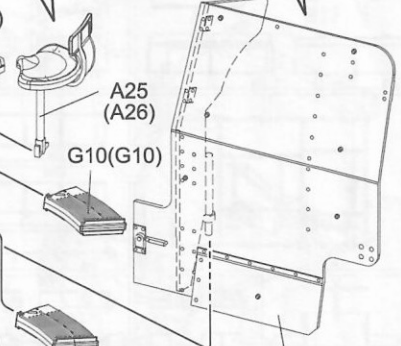
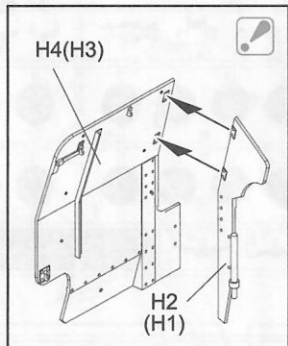
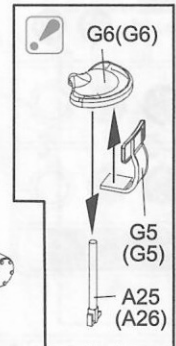
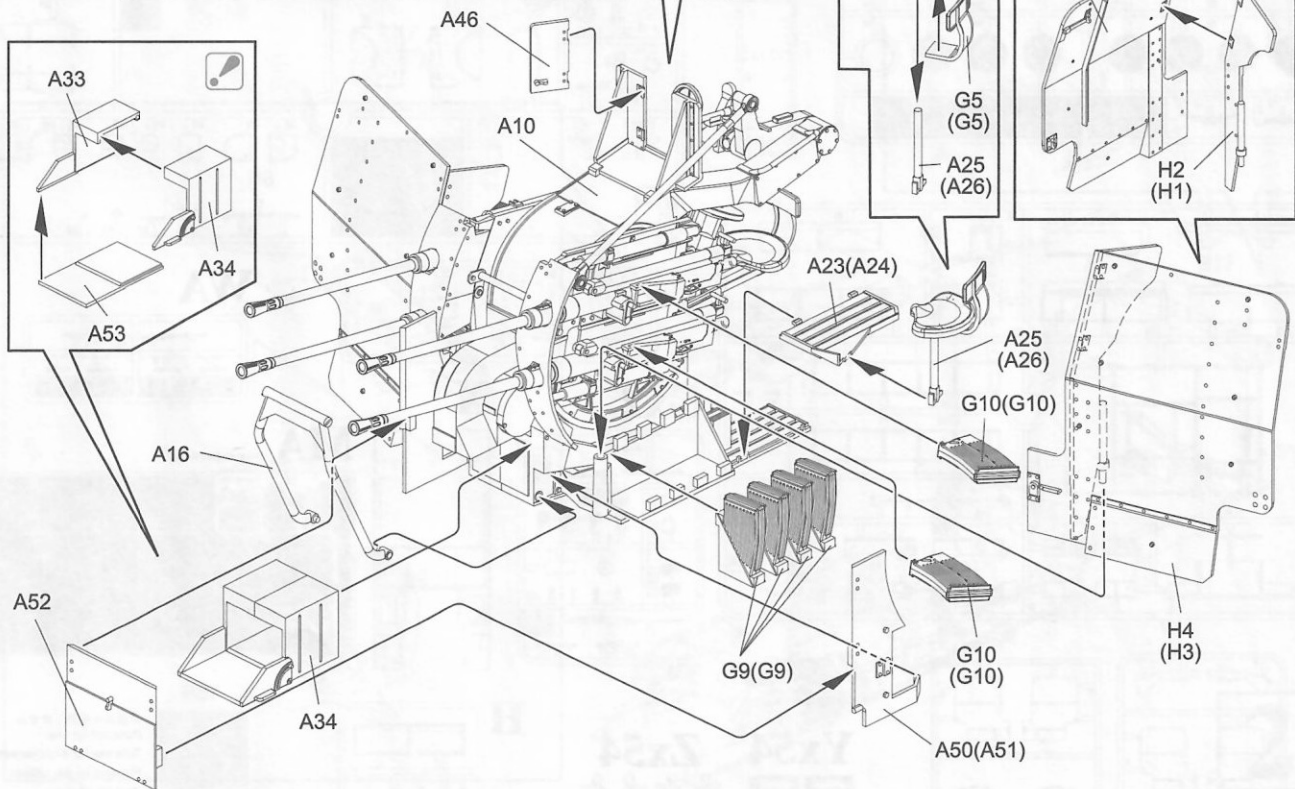
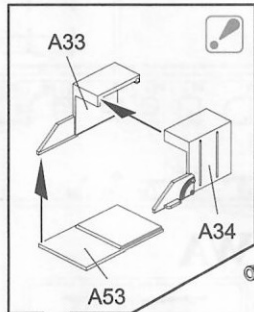
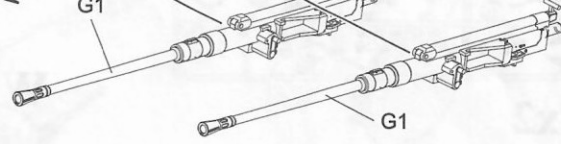
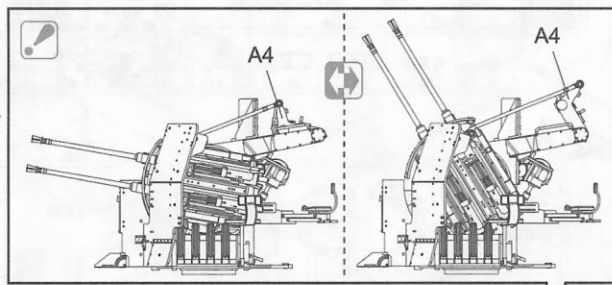
# 15



# 16

FOR COMBAT



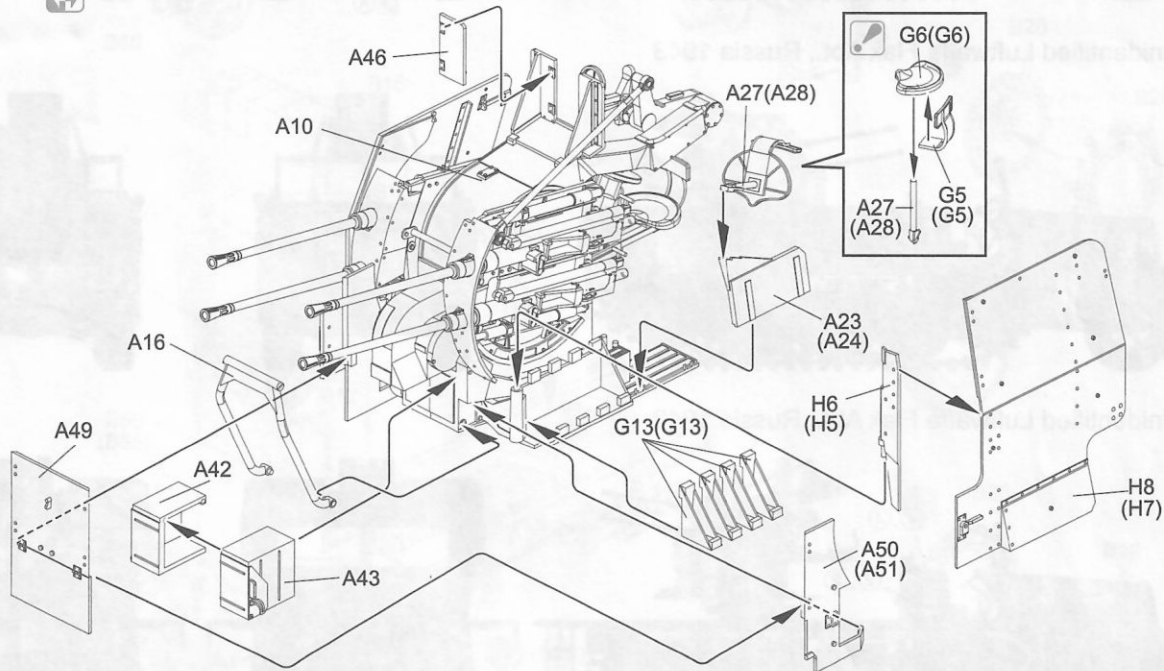






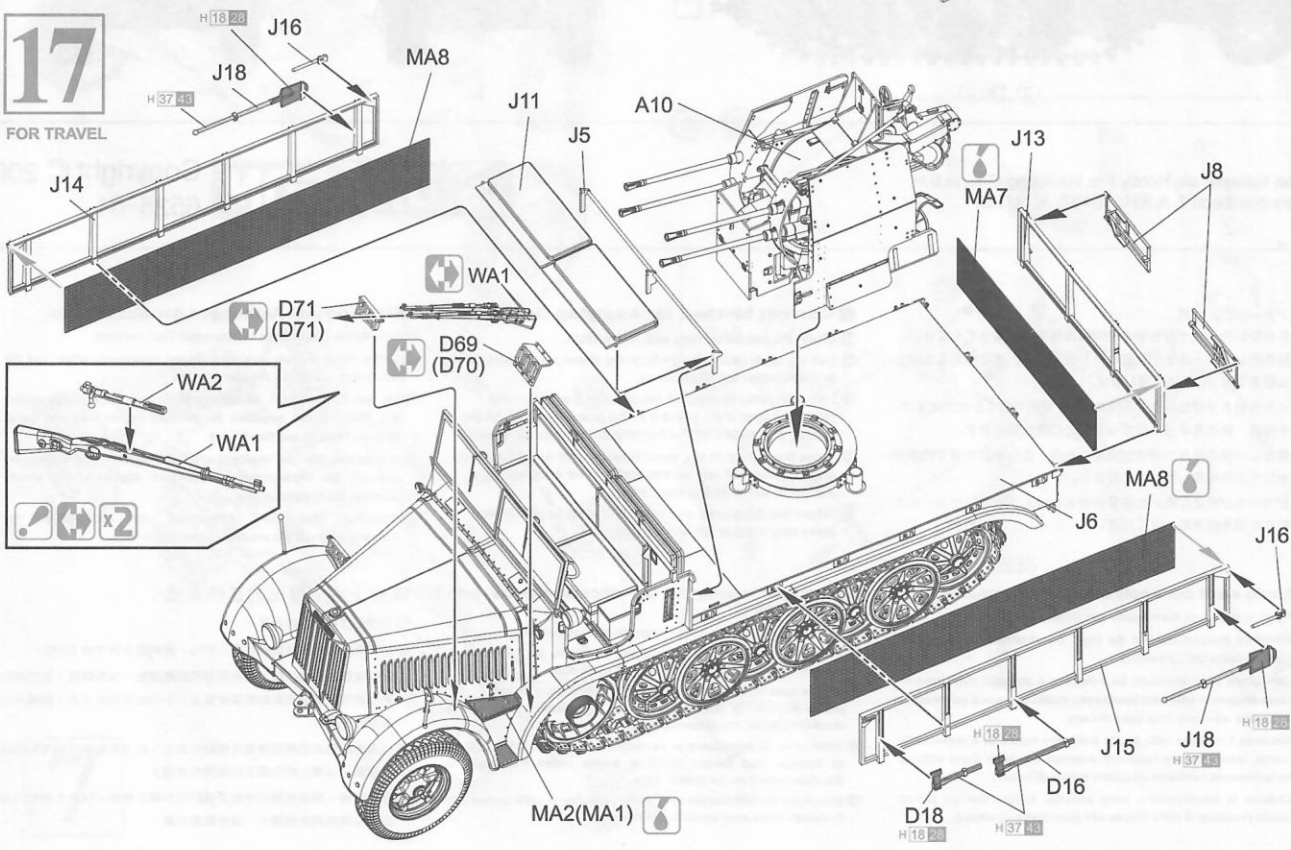
# 16

FOR TRAVEL



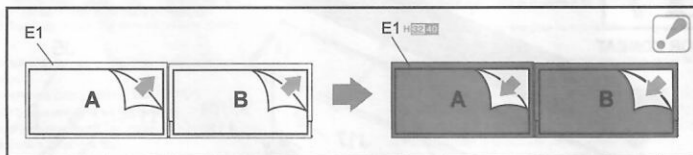
# 17

FOR TRAVEL

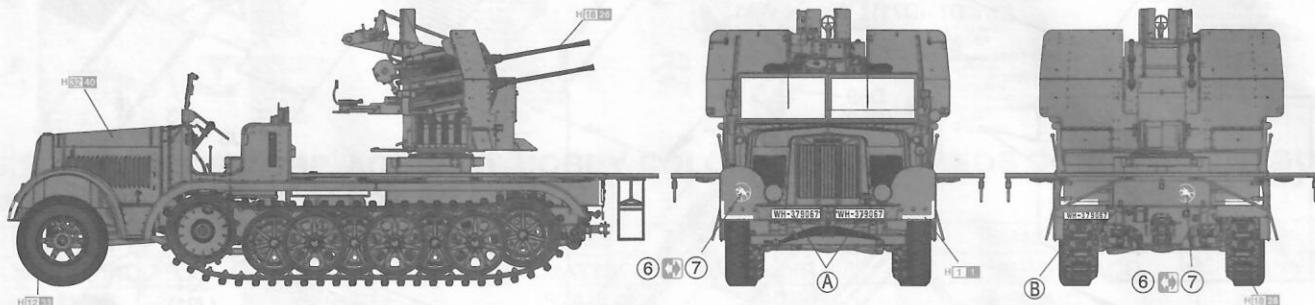


# Painting & Markings

マーキング及び塗装図    Markierungen und Bemalung    Decoration et Peinture    Marchio & Pittura    標貼及着色指示



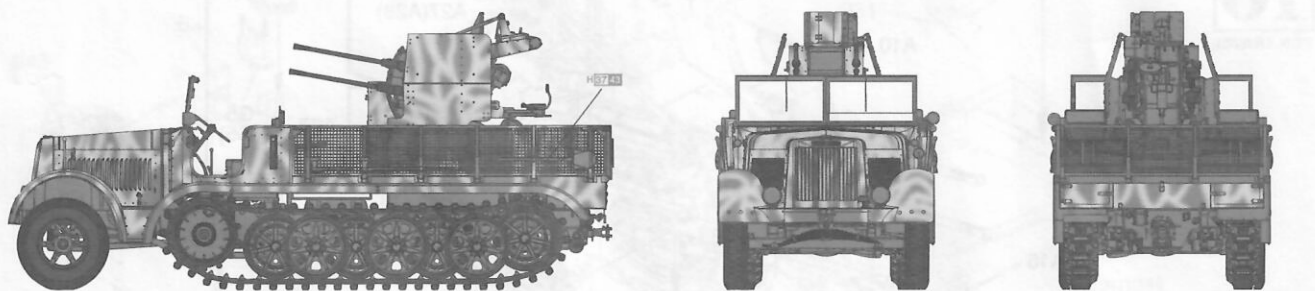
24.Pz.Div., near Stalingrad 1942



Unidentified Unit, Eastern Front 1942



Unidentified Luftwaffe Flak Abt., Russia 1943



Unidentified Luftwaffe Flak Abt., Russia 1942

