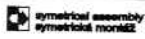




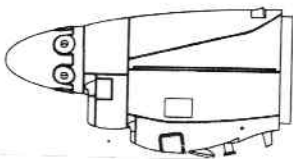
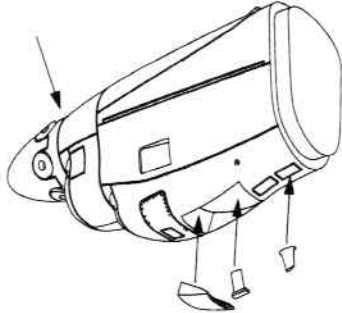
MODEL ACCESSORIES BAL72170

C-130J engine nacells
(Italeri kit)

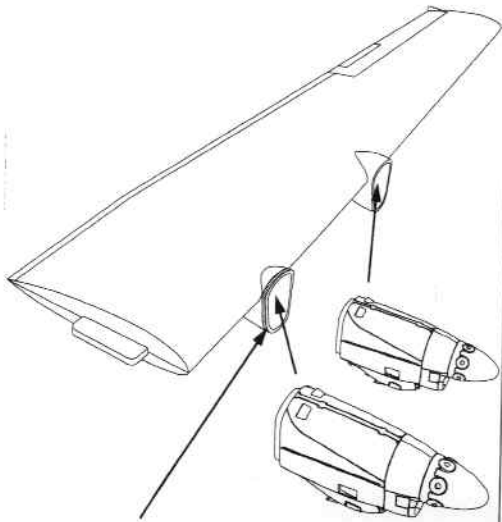
1:72



You can cut propeller spinner and glue it when a different rotation angle is needed



arrangement of flaps
and aerials in all four engines



Remove 1.5 mm from model part
(inner engine only)

www.BRENGUN.cz