

1/72 SCALE PLASTIC KIT

ProfiPACK
edition

#70144



INTRO

The MiG-21 was one of a long list of Mikoyan-Gurevich products to be integrated into the armed forces of the Soviet Union, the Warsaw Pact, and allied client states. Its predecessors included such notable types as the MiG-15, MiG-17 and the supersonic MiG-19. The roots of this project reach back to the first half of the fifties. In 1954, the Ye-1 project came to an end, and was quickly picked up by the Ye-2. Both had a swept wing. The first machine to feature the delta wing was the Ye-4, which first took to the air on June 16th, 1955. It was also demonstrated a year later at the Moscow airfield Tushino. The first of the new line to enter production was the MiG-21F, which together with the MiG-21P and F-13 represented the first generation of the MiG-21, and was in production through the end of the fifties and the beginning of the sixties. Subsequent versions included the PF, FL, PFM, R the production of which peaked at the end of the sixties. The third generation started production in 1968, which included such versions as M, SM, MF, SMT, bis among others. Simultaneously, two-seat training versions were also produced designated MiG-21U, UM and US. Production of the MiG-21 ended in 1985, and was put into service with some fifty nations. Over the course of the cold war, the opponents of the MiG-21 included the likes of the Northrop F-5 Freedom Fighter and the Dassault Mirage III. NATO assigned it the reporting name 'Fishbed'. It became the most produced supersonic fighter in terms of quantity. The new machines came off Soviet production lines in Moscow, Gorky and Tbilisi. The MiG-21F-13 was also built under license in Czechoslovakia and the MiG-21FL, M and bis in India by Hindustan Aeronautics Ltd. The Soviet Union produced 10,645 examples of all versions, 194 were built in Czechoslovakia and 657 in India. Outside of the Soviet Union, the type flew with a long list of nations on all continents with the exception of Australia. The MiG-21 participated in combat in Vietnam, the Indo-Pakistan wars, the Cuban participation in Angola and in the Arab world's attempt to eliminate Israel. Thanks to the high volume of use, the highest number of aces produced on the type was in Vietnam. The top of the ladder is occupied by Nguyen Van Coc with nine kills. The type serving as an interceptor served with the Soviet Union and other nations of the Warsaw Pact into the eighties, when it began to be displaced by the MiG-29 Fulcrum.

From this kit you can build MiG-21PFM. In the factory documentation this version is identified as Izdelye 94A for the export aircraft and Izdelye 94 for the aircraft destined to the Soviet Air Force. It originated from the significant modernization of the MiG-21PF type and since 1963 was simultaneously manufactured for the Soviet Air Defense units in the Gorky plant. Since 1966 it was manufactured for export in the Moscow plant. In the beginning of 1968, it was replaced by slightly improved version capable of carrying GP-9 cannon container under the fuselage containing 23mm twin barrel cannon GSh-23 with 200 rounds or a nuclear bomb. Some users distinguish both versions as MiG-21SPS and MiG-21SPS-K respectively but mostly both versions are marked as MiG-21PFM only. MiG-21PFM production was terminated in 1968. The aircraft powerplant was Tumanskyi R-11F2-300. The outer ordnance consisted of RS-2US rockets or UB-16-57 rocket launchers, anti-ground unguided rockets S-24 and bombs up to 500 kilos. The aircraft NATO code name was Fishbed F.

ATTENTION



UPOZORNĚNÍ



ACHTUNG



ATTENTION



注意



Carefully read instruction sheet before assembling. When you use glue or paint, do not use near open flame and use in well ventilated room. Keep out of reach of small children. Children must not be allowed to suck any part, or pull vinyl bag over the head.



Před započítím stavby si pečlivě prostudujte stavební návod. Při používání barev a lepidel pracujte v době větrané místnosti. Lepidla ani barvy nepoužívejte v blízkosti otevřeného ohně. Model není určen malým dětem, mohlo by dojít k požití drobných dílů.

INSTRUCTION SIGNS ✳ INSTR. SYMBOLY ✳ INSTRUKTION SINNBILDEN ✳ SYMBOLES ✳ 記号の説明

OPTIONAL
VOLBABEND
OHNOUTSAND
BROUSITOPEN HOLE
VYVRTAT OTVORSYMMETRICAL ASSEMBLY
SYMETRICKÁ MONTÁŽREMOVE
ODRŽNOUTREVERSE SIDE
OTOCIČITAPPLY EDUARD MASK
AND PAINT
POUŽÍJ EDUARD MASK
NABARVIT

PARTS



DÍLY



TEILE



PIÈCES

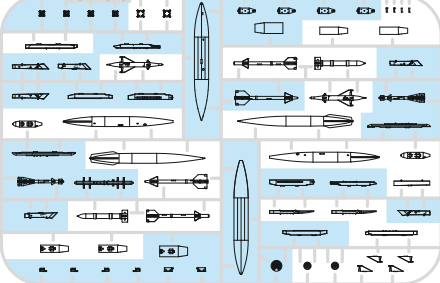


部品

PLASTIC PARTS

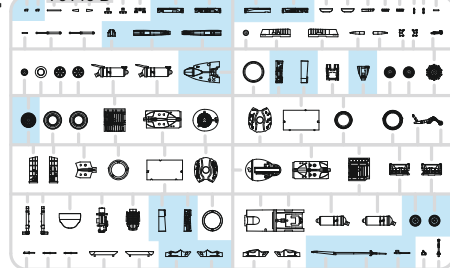
C>

70140 C



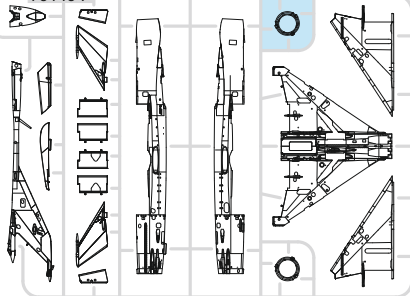
D>

70140 D



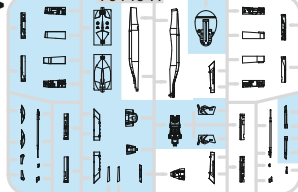
F>

70140 F



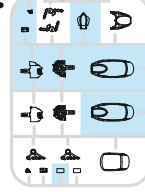
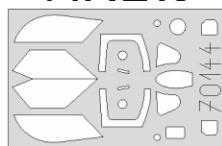
H>

70140 H



I>

70140 I

PE - PHOTO ETCHED
DETAIL PARTSeduard
MASK

-Parts not for use. -Teile werden nicht verwendet. -Pièces à ne pas utiliser. -Tyto díly nepoužívejte při stavbě. - 使用しない部品

COLOURS



BARVY



FARBEN



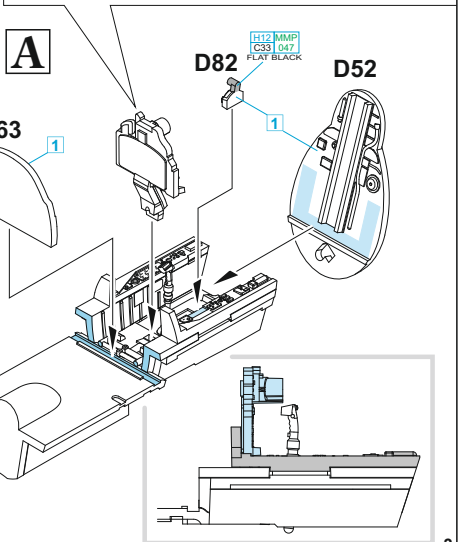
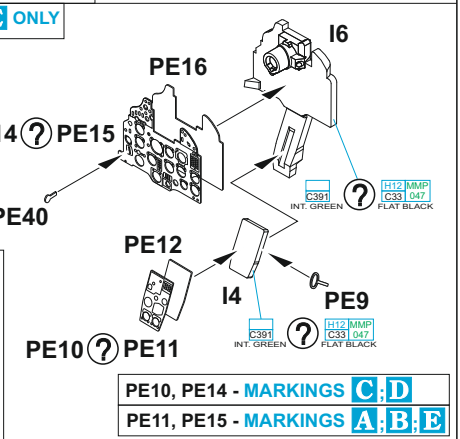
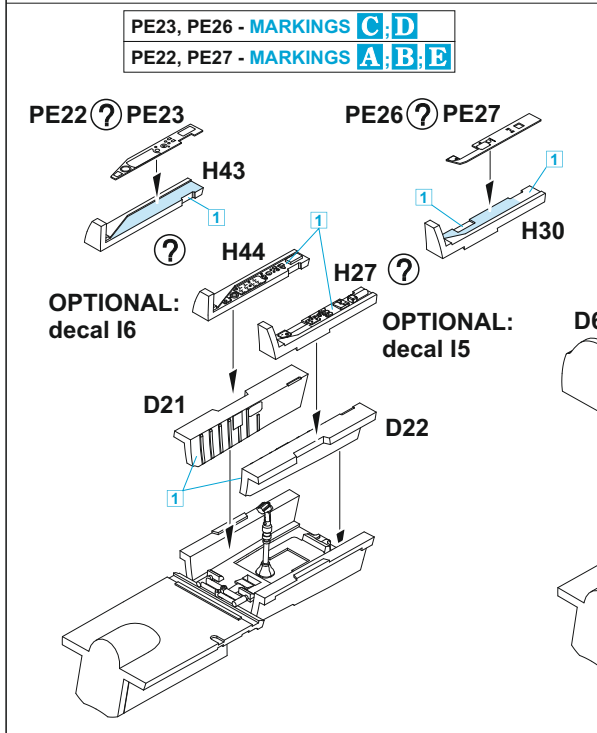
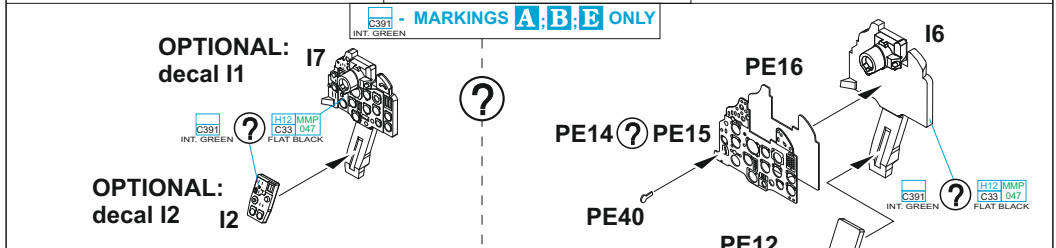
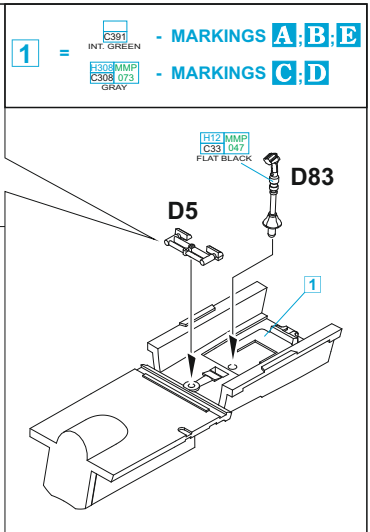
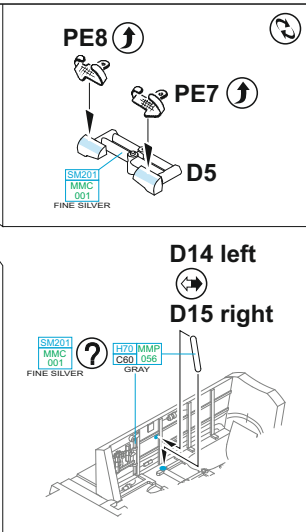
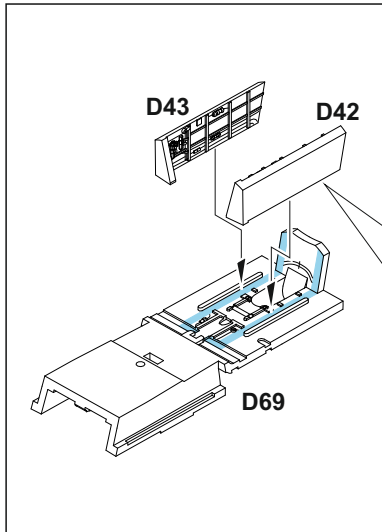
PEINTURE

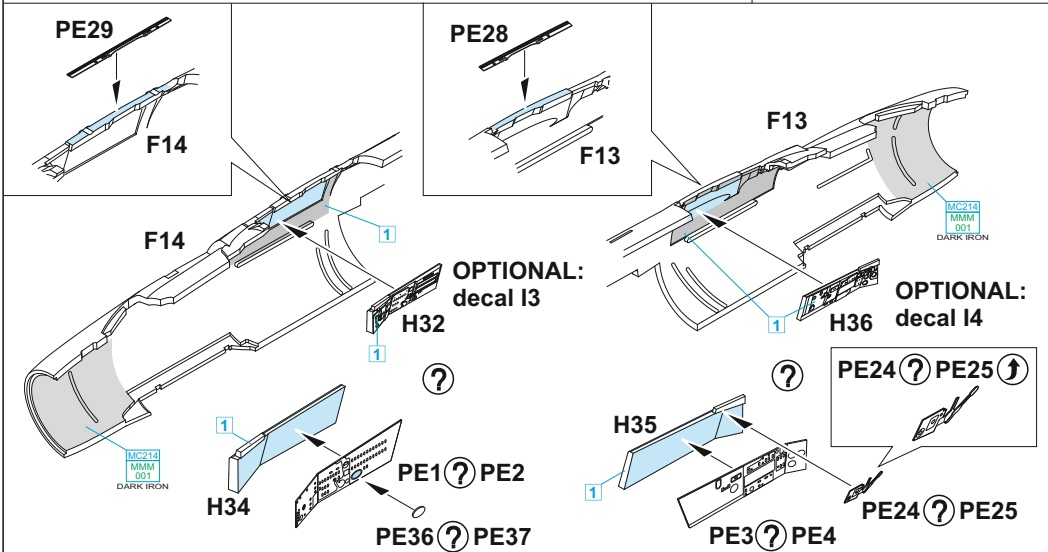
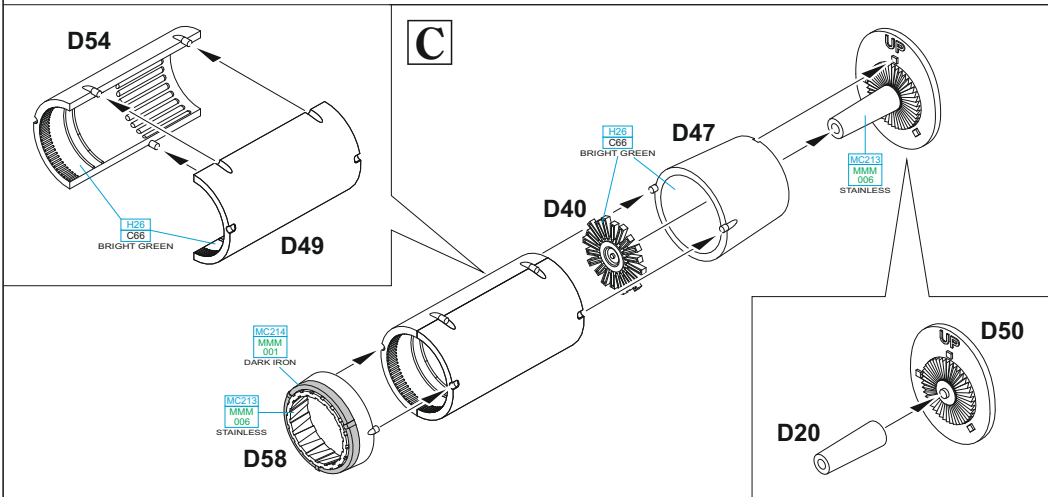
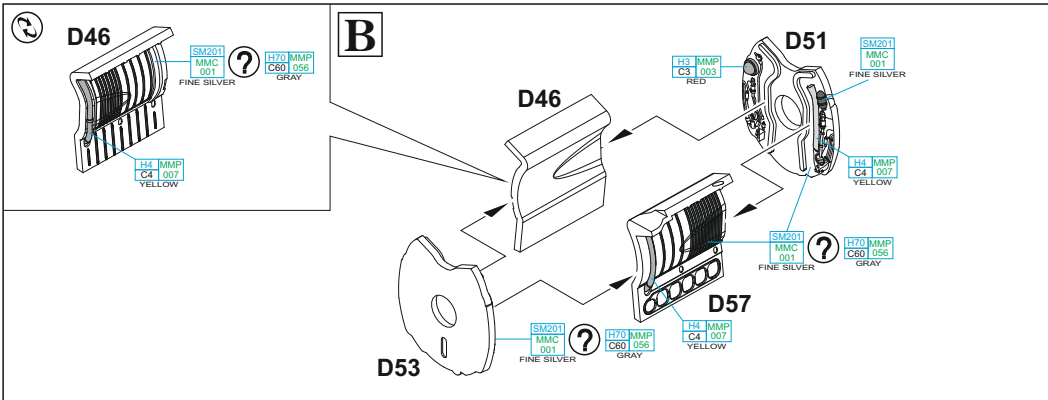


色

GSI Creos (GUNZE)		MISSION MODELS	
AQUEOUS	Mr.COLOR	PAINTS	
H1	C1	MMP-001	WHITE
H3	C3	MMP-003	RED
H4	C4	MMP-007	YELLOW
H5	C5	MMP-048	BLUE
H11	C62	MMP-001	FLAT WHITE
H12	C33	MMP-047	FLAT BLACK
H15	C65		BRIGHT BLUE
H23	C79		SHINE RED
H26	C66		BRIGHT GREEN
H44	C51		FLESH
H47	C41	MMP-012	RED BROWN
H51	C11	MMP-063	LIGHT GULL GRAY
H53	C13		NEUTRAL GRAY
H66	C119	MMP-119	SAND YELLOW
H67	C115	MMP-057	LIGHT BLUE
H70	C60	MMP-056	GRAY
H72	C369	MMP-078	DARK EARTH
H77	C137	MMP-040	TIRE BLACK

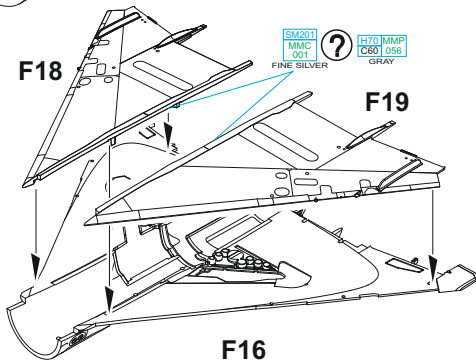
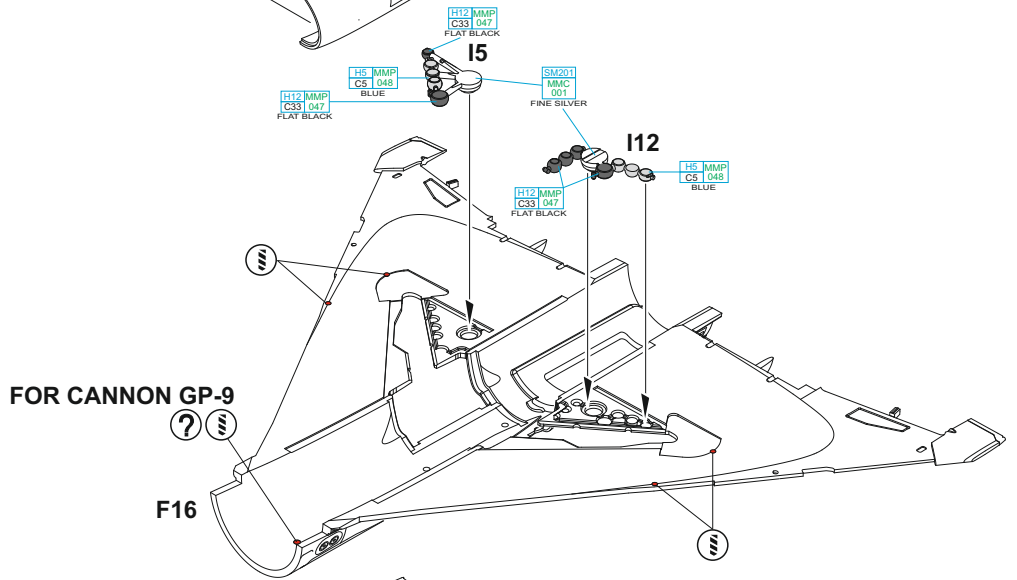
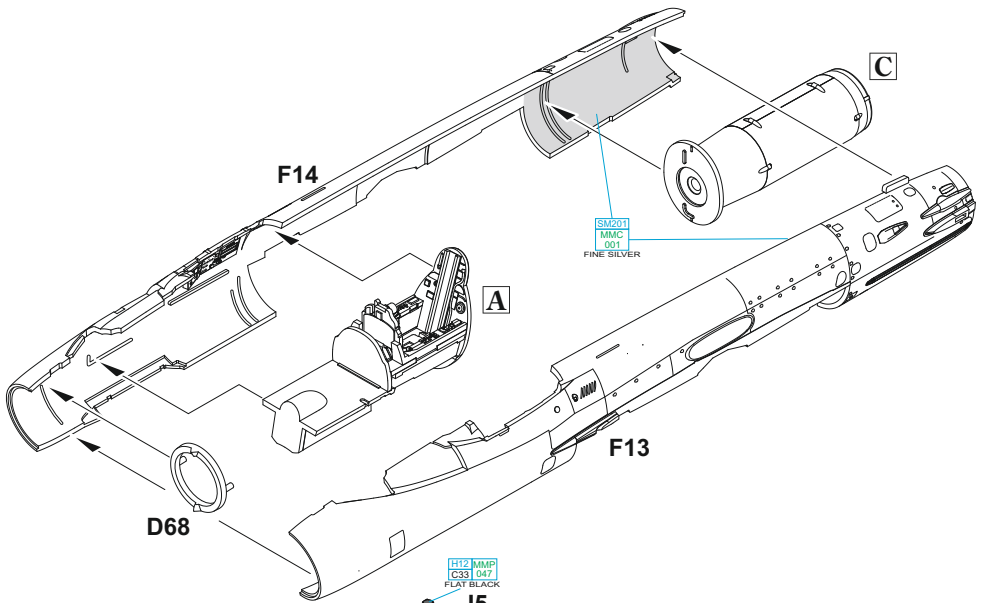
GSI Creos (GUNZE)		MISSION MODELS	
AQUEOUS	Mr.COLOR	PAINTS	
H64	C42		MAHOAGANY
H60	C47		CLEAR RED
H64	C138		CLEAR GREEN
H308	C308		GRAY
H313	C313		YELLOW
H315	C315	MMP-060	GRAY
H317	C317	MMP-064	GRAY
H323	C323		LIGHT BLUE
H326	C326		BLUE
H332	C332		LIGHT AIRCRAFT GRAY
H340	C340		FIELD GREEN
H413	C113	MMP-090	YELLOW
	C391		INTERIOR GREEN
Mr.METAL COLOR		METALLICS	
MC213		MMM-006	STEEL
MC214		MMM-001	DARK IRON
Mr.COLOR SUPER METALLIC		METALLICS	
SM201		MMC-001	SUPER FINE SILVER

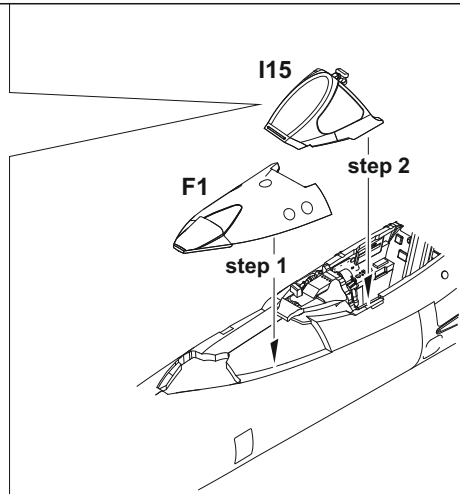
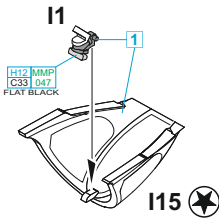
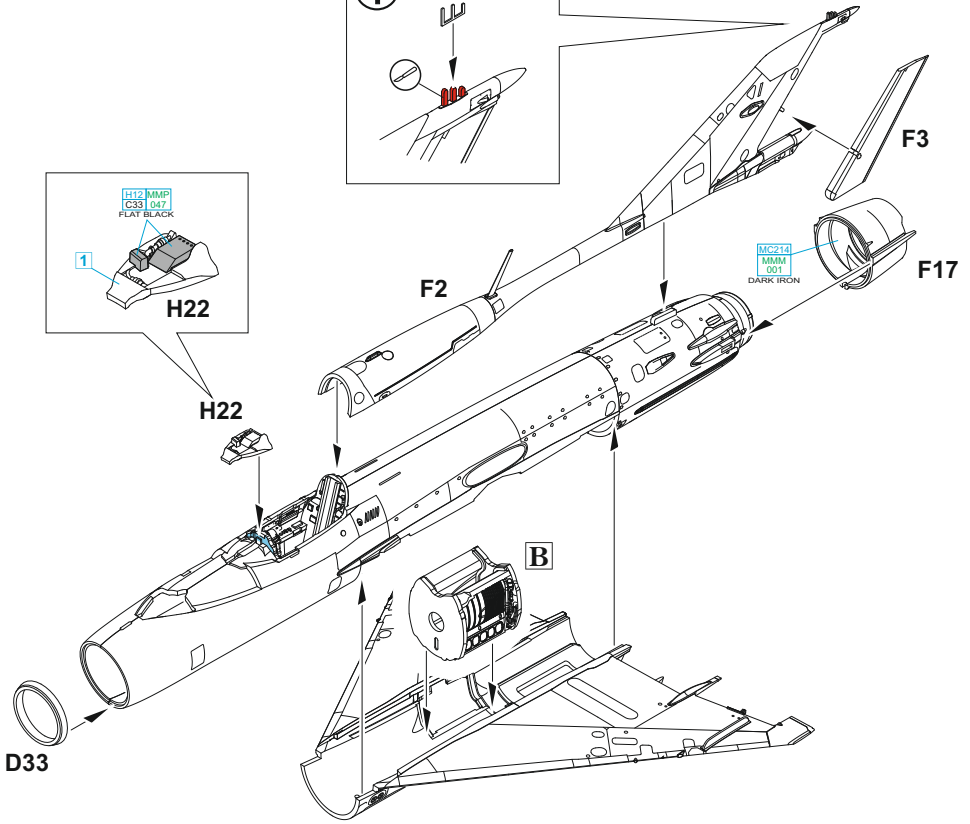
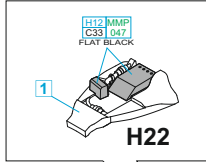
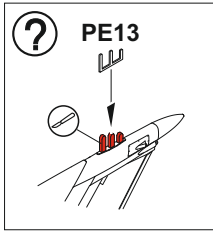


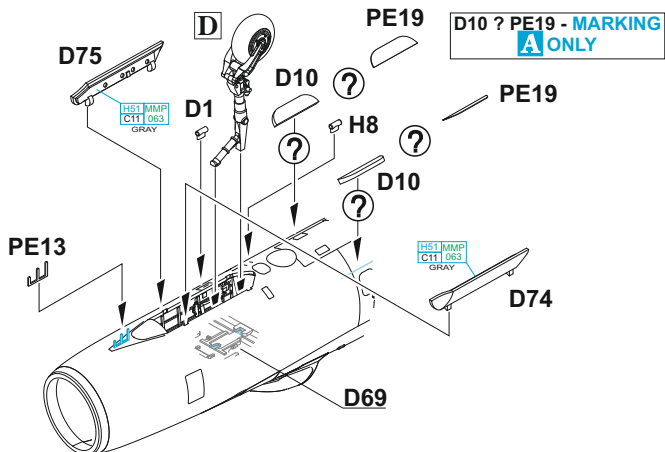
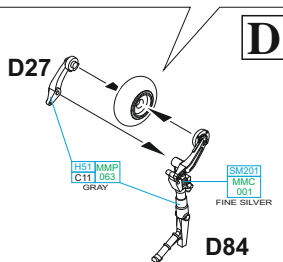
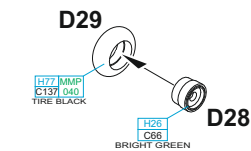
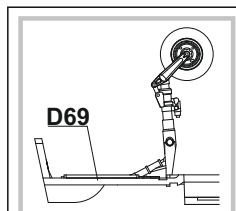
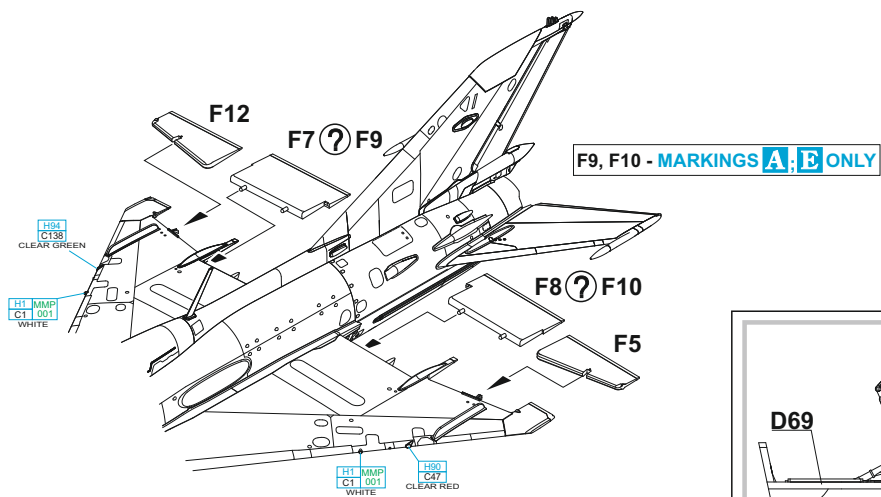
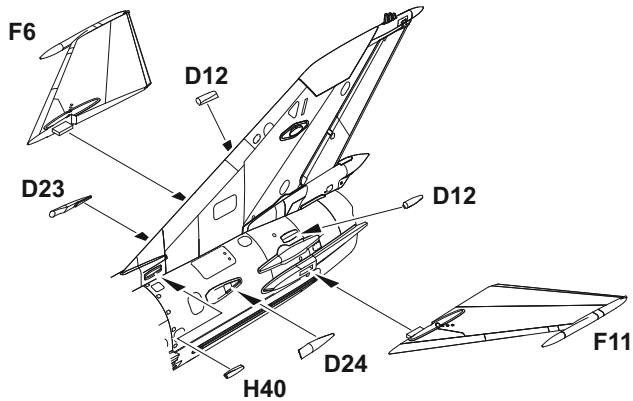


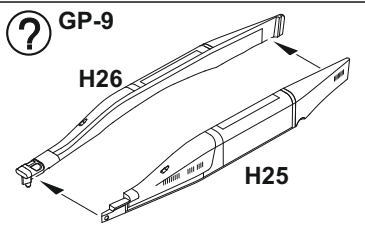
PE1, PE37 - MARKINGS **C; D**
 PE2, PE36 - MARKINGS **A; B; E**

PE4, PE25 - MARKINGS **C; D**
 PE3, PE24 - MARKINGS **A; B; E**

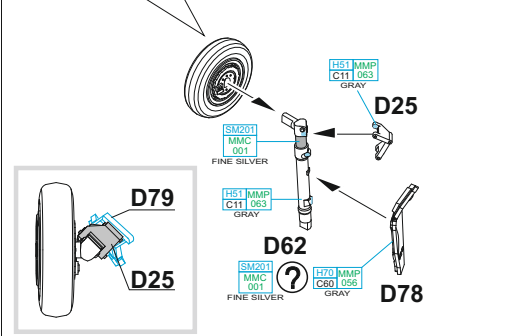
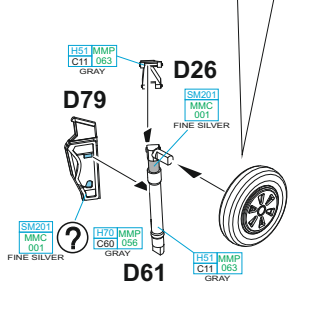
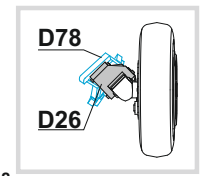
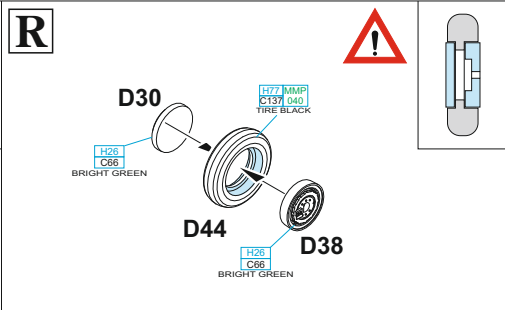
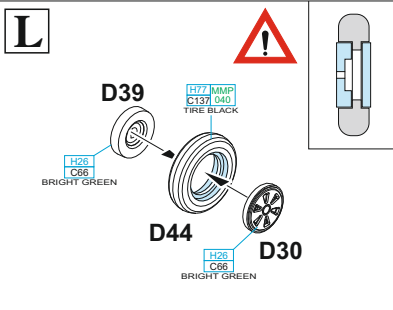
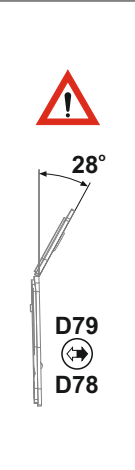
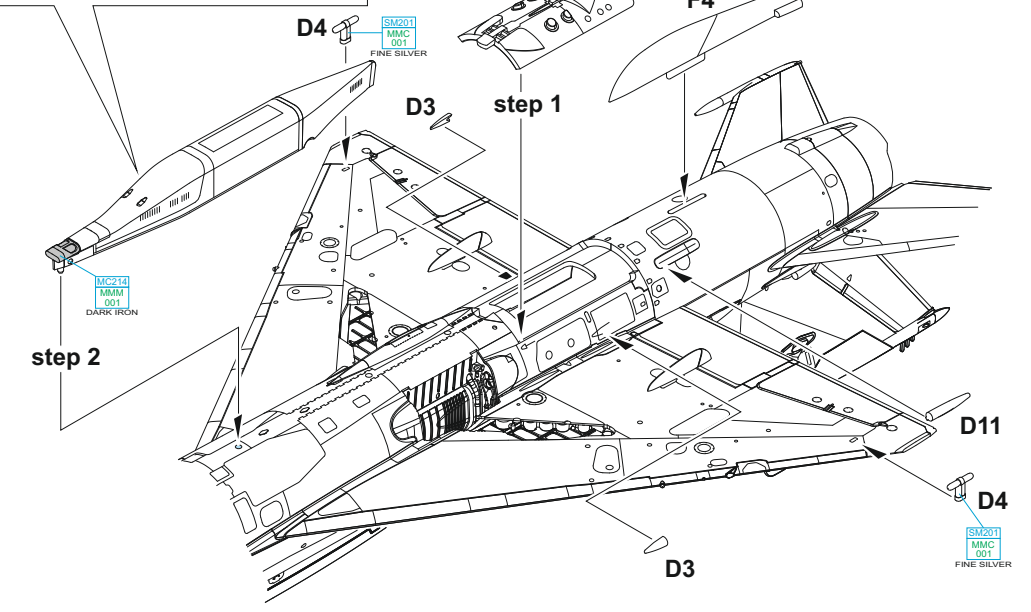
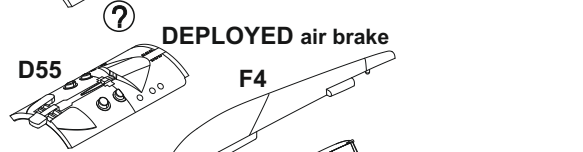






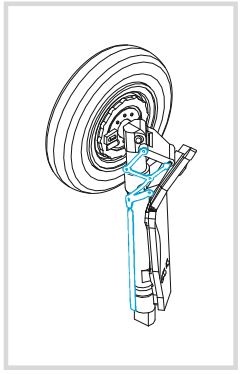


CLOSED air brake
**IF YOU USE CANNON GP-9,
 THEN YOU MUST USE CLOSED
 AIR BRAKE (PART D48)**



L

R



D16
SM201 MMC 001 FINE SILVER
H51 MMP C11 063 GRAY

D16
SM201 MMC 001 FINE SILVER
H51 MMP C11 063 GRAY

PE21 right
PE20 left

F17

F18

SM201 MMC 001 FINE SILVER

H70 MMP C60 056 GRAY

D59

SM201 MMC 001 FINE SILVER

H70 MMP C60 056 GRAY

D73

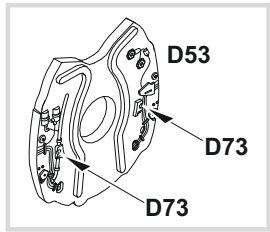
SM201 MMC 001 FINE SILVER

H51 MMP C11 063 GRAY

D73

D60

D73

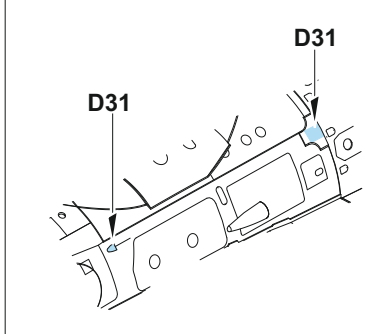
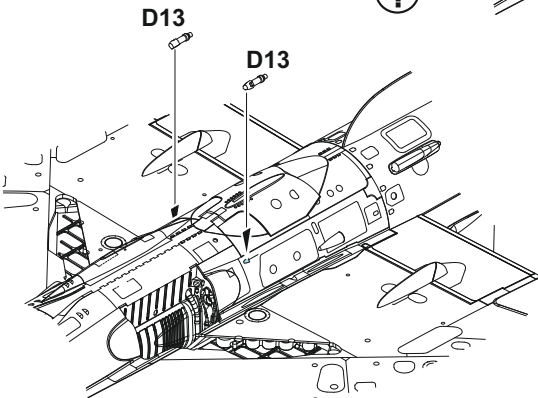
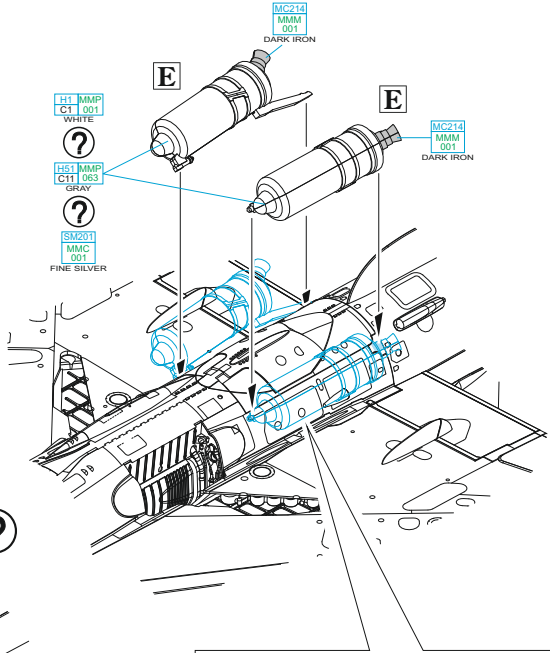
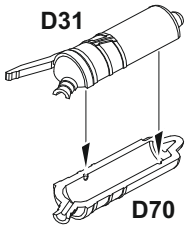


D53

D73

D73

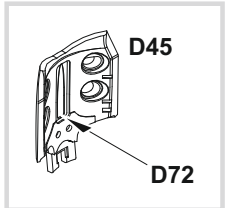
E 2 pcs.



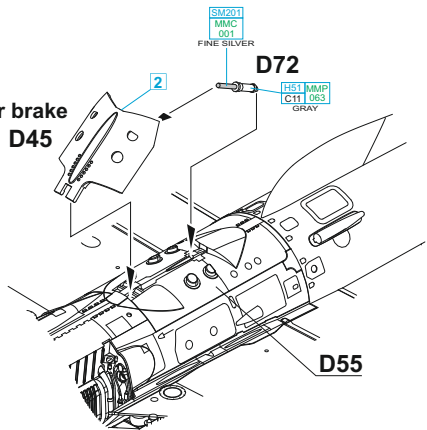
2 =

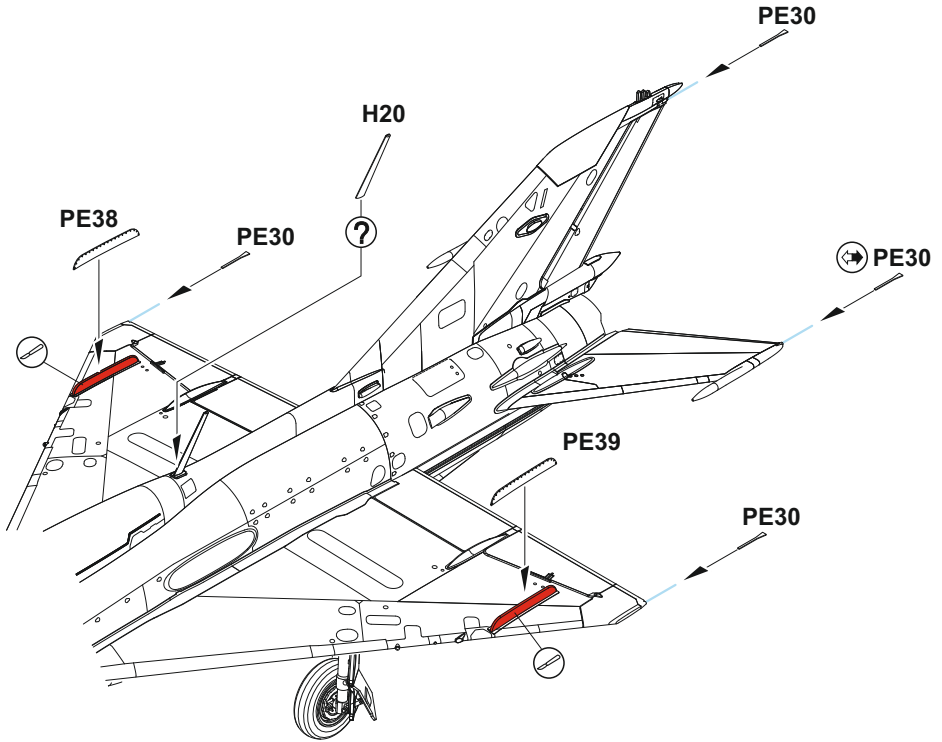
H3 MMP C4 007	- MARKINGS B;E
UNDERSURFACE COLOR	- MARKINGS A;C;D

?

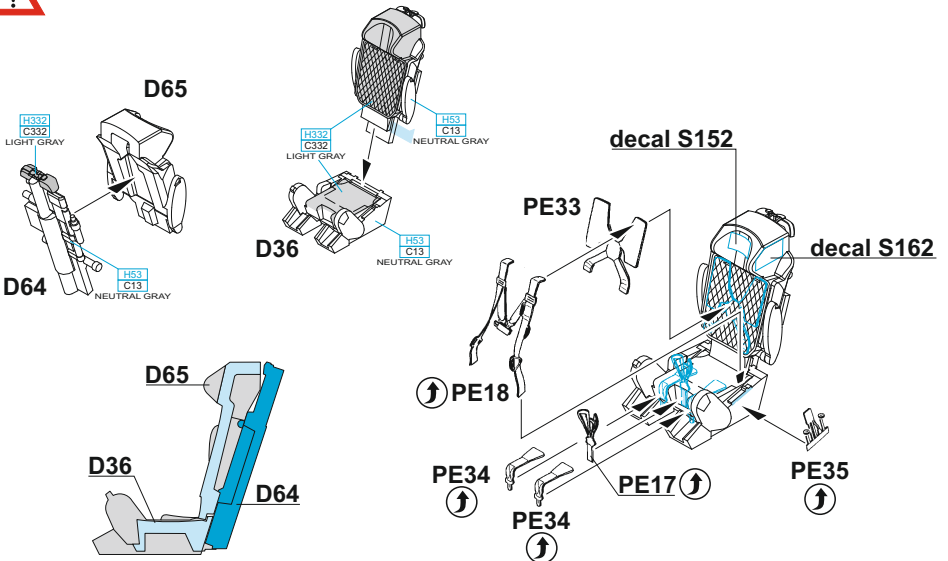


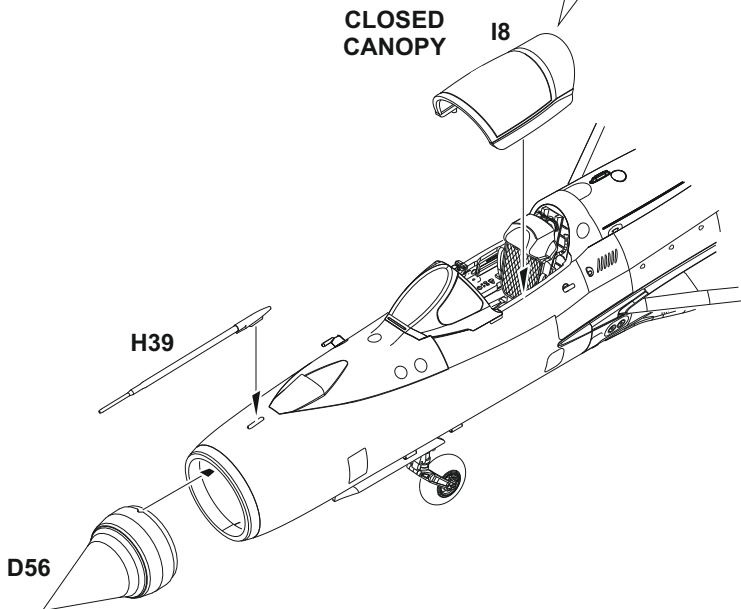
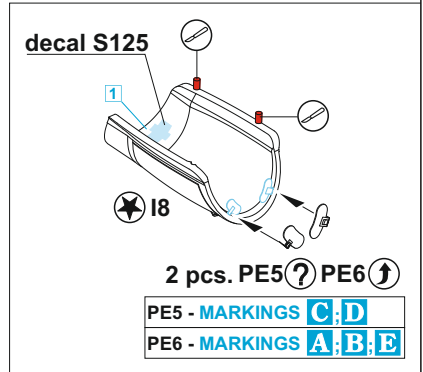
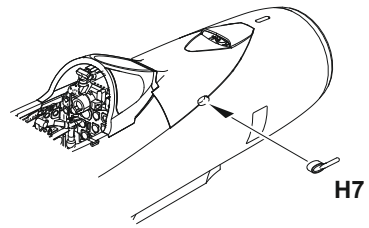
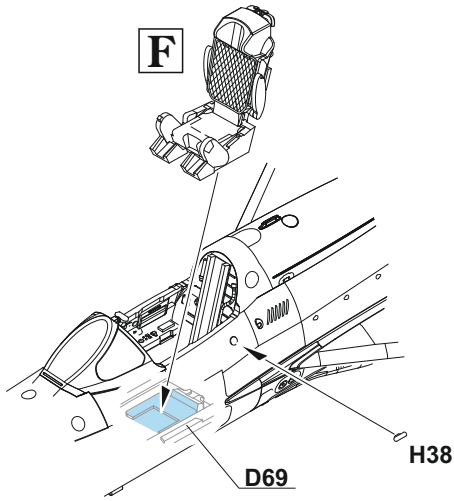
OPEN air brake

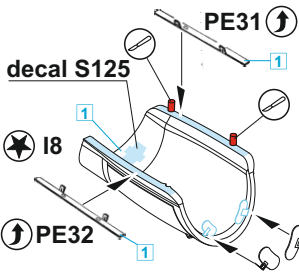




F

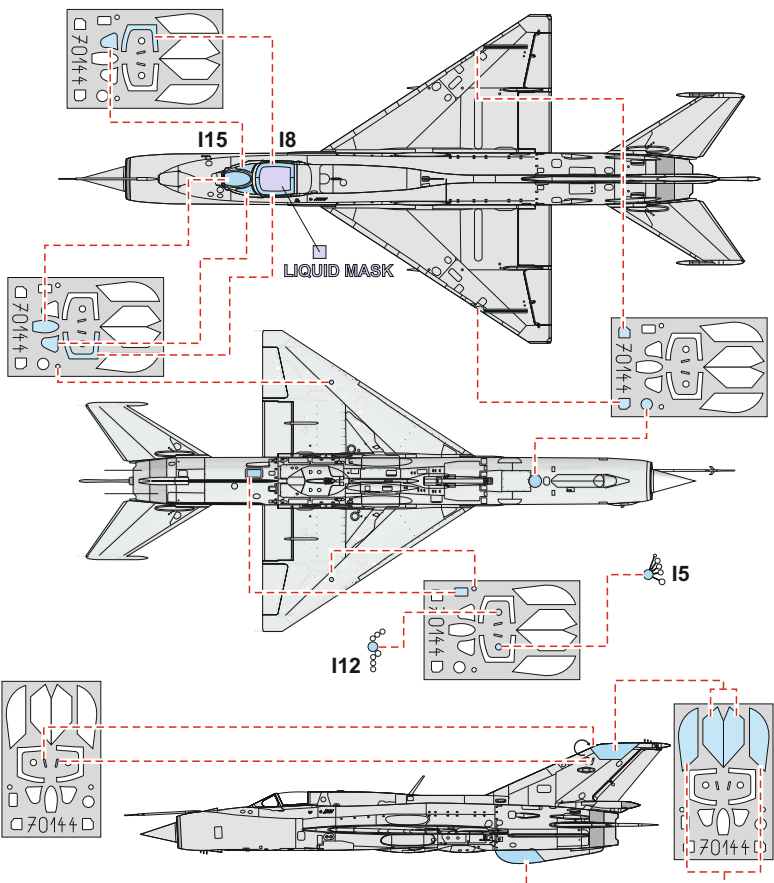
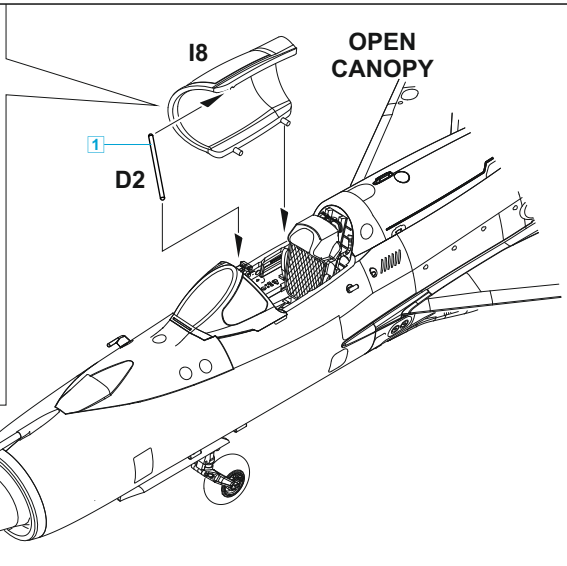




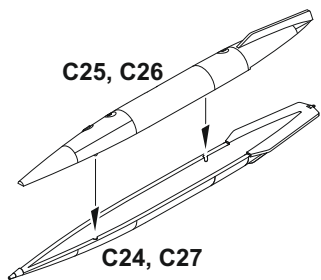


2 pcs. PE5 PE6

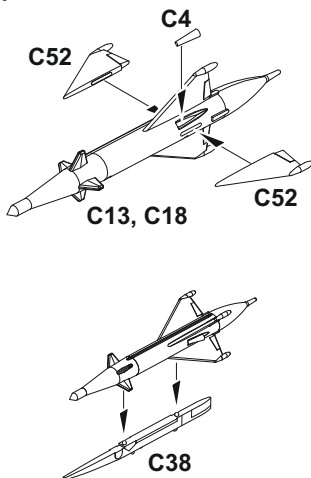
PE5 - MARKINGS	C	D
PE6 - MARKINGS	A	B, E



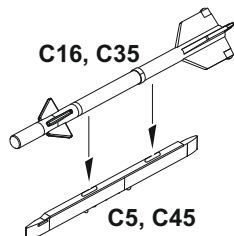
**EXTERNAL FUEL TANK 490 I
PŘÍDAVNÁ NÁDRŽ 490 I**



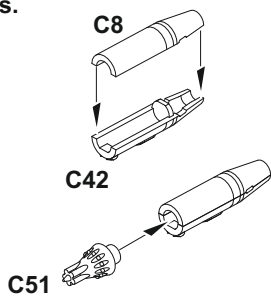
**RS-2US
2 pcs.**



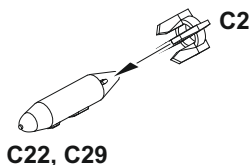
**R-3S
2 pcs.**



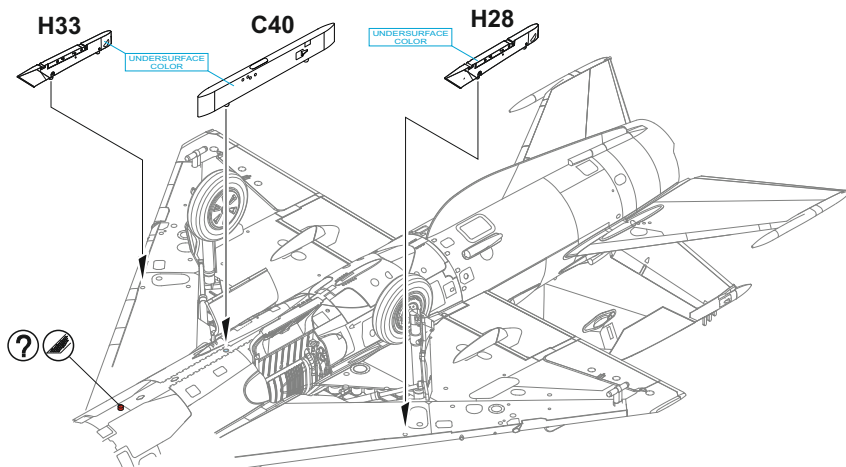
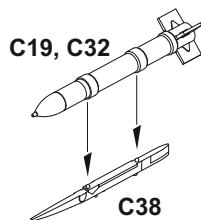
**UB-16
2 pcs.**



**BOMB 250
2 pcs.**

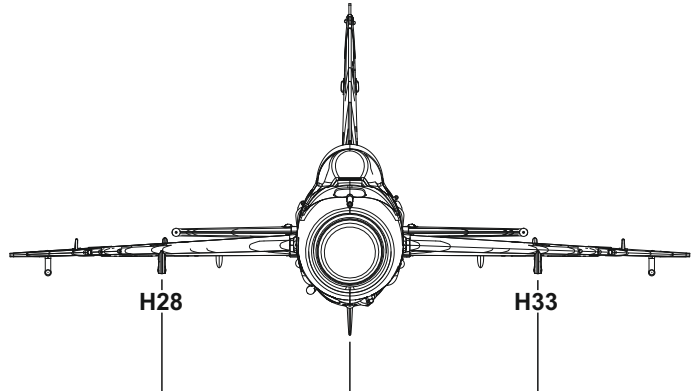


**S-24
2 pcs.**



**TO CHOOSE WEAPON AND EXTERNAL FUEL TANK
OPTION PLEASE FOLLOW YOUR REFERENCE.**

**PRO VOLBU VÝZBROJE A PŘÍDAVNÝCH NÁDRŽÍ SE DRŽTE
DOKUMENTACE KONKRÉTNÍHO STROJE.**



**EXTERNAL
FUEL
TANK 490 I**

|| C40



GP-9



2x RS-2US

|| C38



|| C38



2x R-3S

|| C5



|| C45



2x S-24

|| C38



|| C38



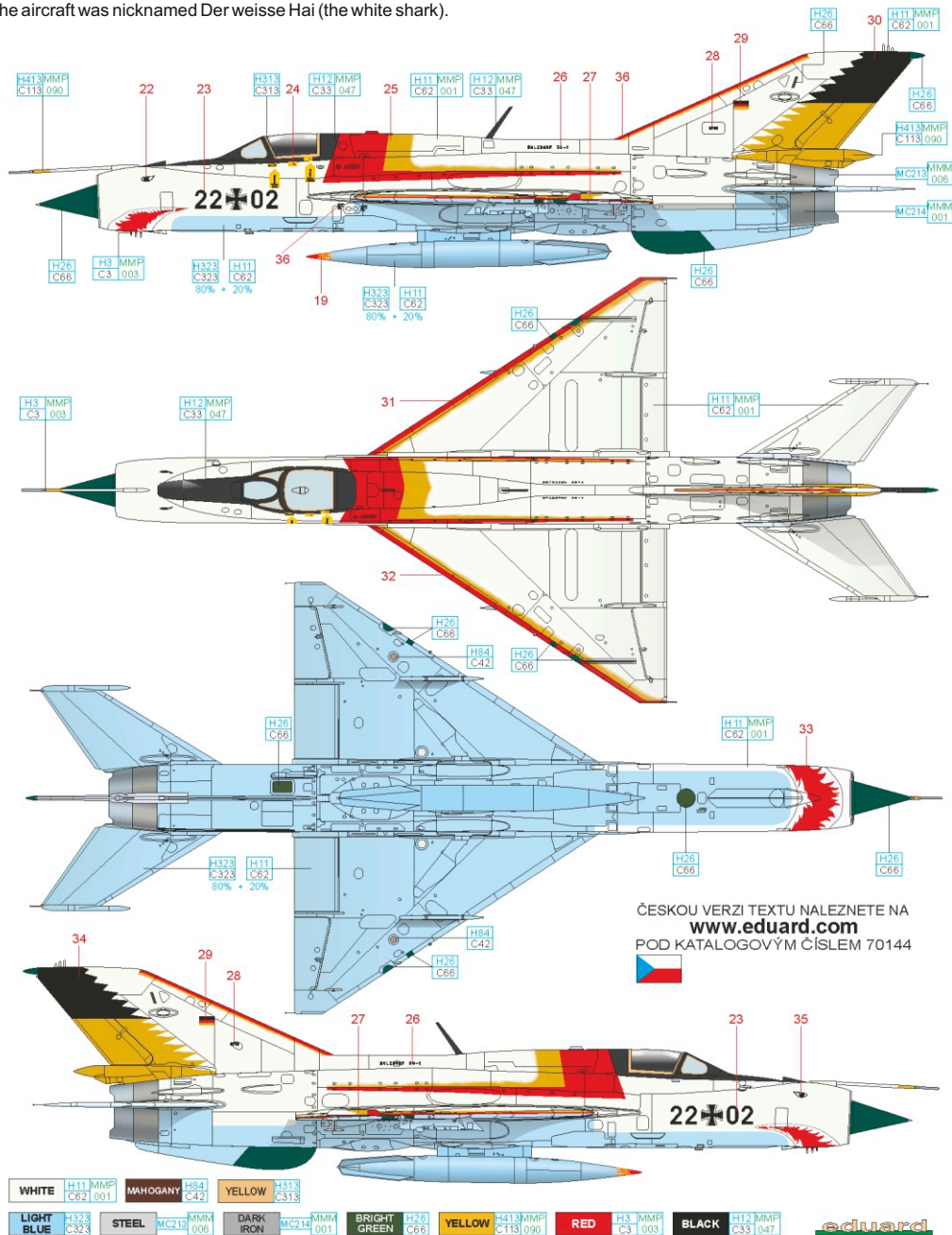
2x FAB 250



2x UB-16

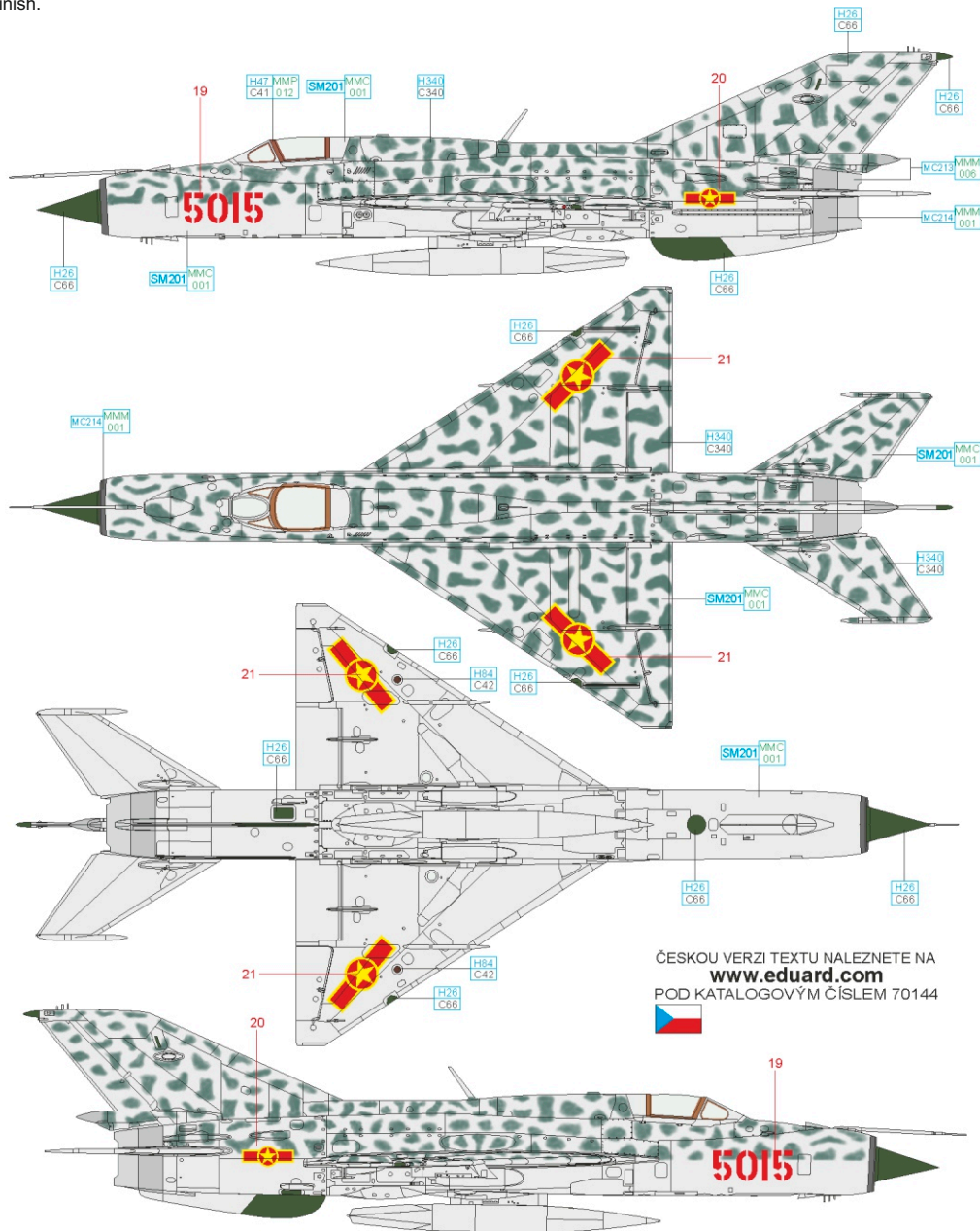


In January 1968 this aircraft was received by East German Air Force (Luftstreitkräfte und Luftverteidigung der Deutschen Demokratischen Republik), marked red 441 and assigned to JG 8. During its service life it flew with JG 8, JG 3 and JG 1. In 1990, after the unification of Germany, already carrying the new marking 22+02 it was overpainted with an anniversary scheme, together with other JG 1 aircraft flown over to Drewitz airbase where it awaited its end. It was scrapped in November 1992. The upper and side surfaces were sprayed in white color, the lower surfaces remained in light grey-blue color. The white paintwork was supplemented by yellow and red elements, the shark mouth was added to the aircraft nose. After the paint job was completed the aircraft was nicknamed Der weisse Hai (the white shark).



C 921st Fighter Regiment, Vietnamese People's Army Air Force, Noi Bai AB, Democratic Republic of Vietnam, 1968

This aircraft was flown by 921st Fighter Regiment „Sao Do“ (Red Star) in 1968. The first examples of MiG-21PFM were delivered to this unit during this year. Some sources say that this particular MiG was flown by Nguyen Van Coc, a fighter ace credited with 9 kills. The b&w photos of this aircraft can be interpreted in various ways. One of the theories says that green splotches were sprayed on the upper sides. The splotches were not sharp-edged and the surrounding area was also covered by the thin layer of the green color. This gave this area light-green appearance. The canopy and antenna were left in natural metal finish.

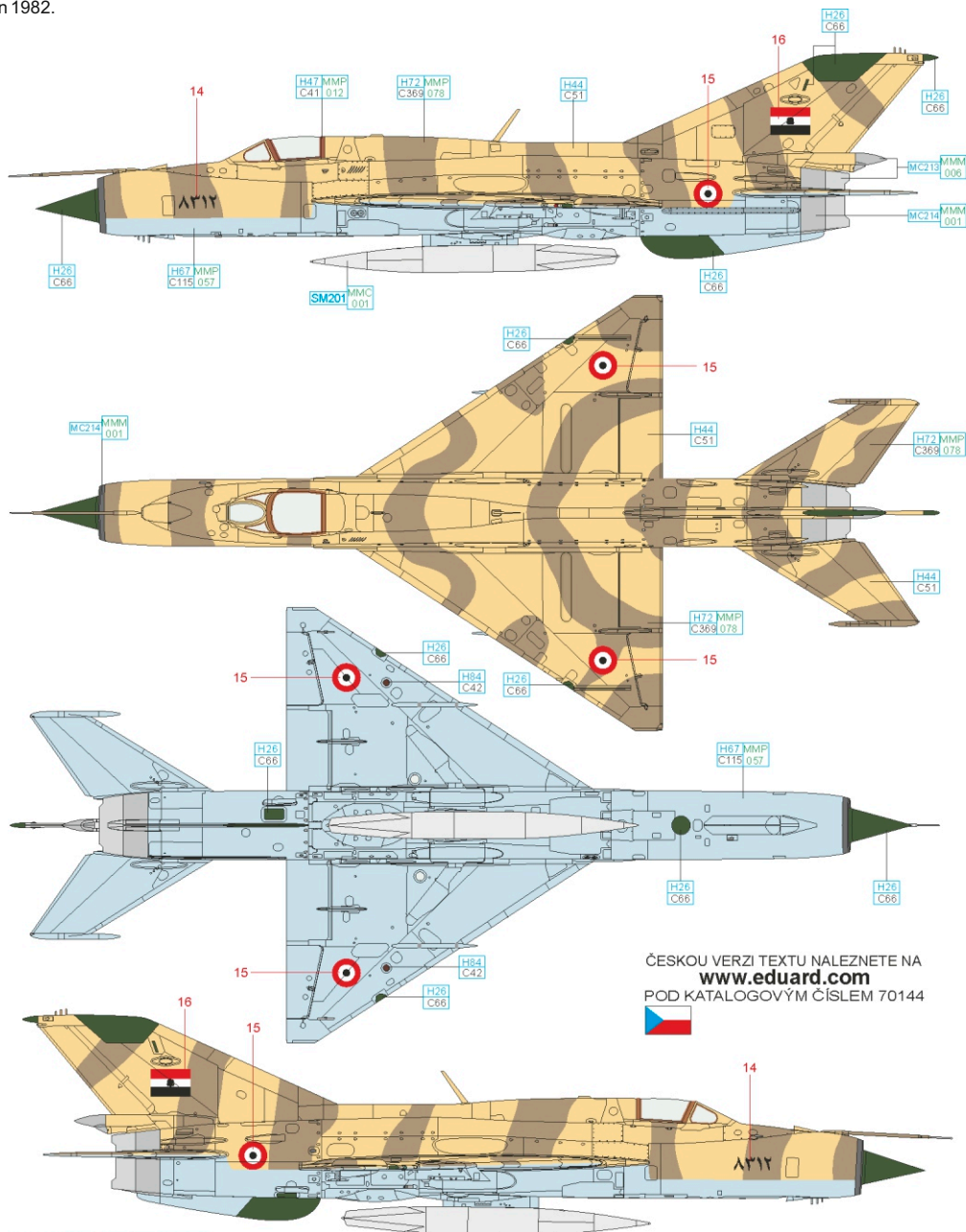


ČESKOU VERZI TEXTU NALEZNETE NA
www.eduard.com
 POD KATALGOVÝM ČÍSLEM 70144



D Egyptian Air Force, Inshas airbase, Arab Republic of Egypt, early 80's

This aircraft is one of the few MiG-21PFMs flown by Egyptian Air Force after Six-Days War. Prior to this Arab – Israeli conflict the total of 235 various MiG-21s was delivered to Egypt, but about 10 only survived the war. Only the surprising Israeli aerial attack on Egyptian airbases on the very first day of the war on June 5th, 1967 (Operation Moked) cost about 90 Egyptian MiG-21s. This particular MiG was delivered to Egypt sometimes around 1970 and took part in the US – Egyptian military exercise Bright Star in 1982.



ČESKOU VERZI TEXTU NALEZNETE NA
www.eduard.com
 POD KATALOGOVÝM ČÍSLEM 70144



MAHOAGANY	H84 C42	RED BROWN	H47 MMP C41 012
SUPER FINE SILVER	SM201 MMC 001	STEEL	MC214 MMM 006

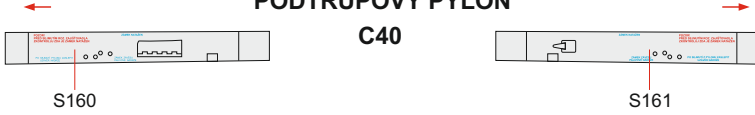
DARK IRON	MC214 MMM 001	DARK EARTH	H72 MMP C369 078
--------------	---------------------	---------------	------------------------

LIGHT BLUE	H67 MMP C115 057	SAND	H44 C51
---------------	------------------------	------	------------

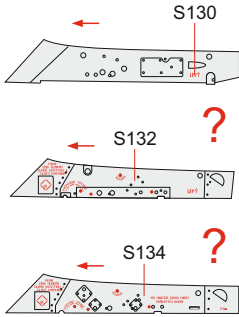
BRIGHT GREEN	H26 C66
-----------------	------------

eduard

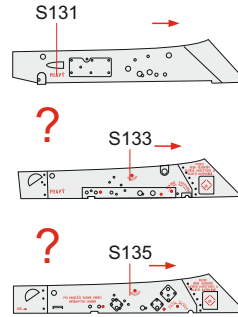
FUSELAGE PYLON PODTRUPOVÝ PYLON



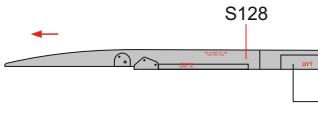
LEFT PYLON LEVÝ PYLON



RIGHT PYLON PRAVÝ PYLON

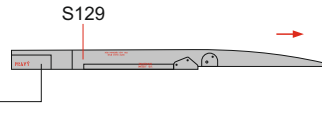


LEFT APU-7 LEVÉ APU-7



C38

RIGHT APU-7 PRAVÉ APU-7



LEFT APU-13 LEVÉ APU-13

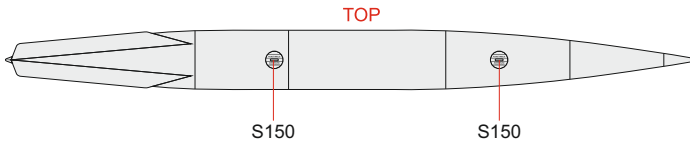


C5, C45

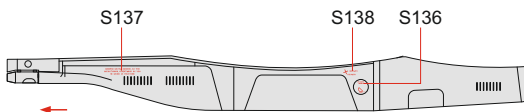
RIGHT APU-13 PRAVÉ APU-13



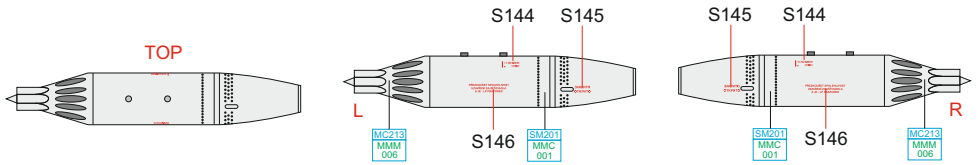
EXTERNAL FUEL TANK 800 I PŘÍDAVNÁ NÁDRŽ TANK 800 I



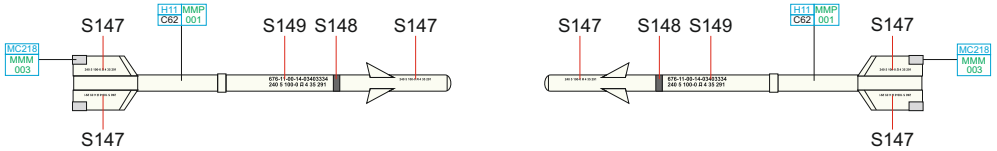
GUN POD GP-9 KANÓNOVÝ KONTEJNER GP-9



UB-16

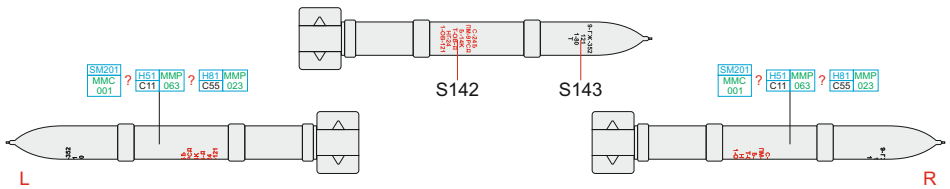


R-3S



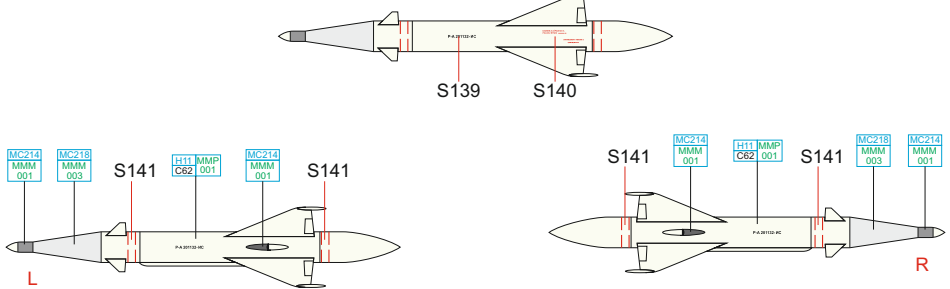
S-24

TOP



RS-2US

TOP



FAB 250

?

