



Photo of Painted and Assembled Model



1/72 Scale FW 190

Plastic Model Kit/
Maquette plastique à
construire/Plastbyggsats

Photos of painted and assembled model
An Unassembled Plastic Model

FEATURES:

- Clear canopy
- Build with extended or retracted landing gear
- Optional SC 250 Bomb, underwing guns, fuel tanks or rocket tubes



- Rotating propeller and wheels
- Full color decals

From a pilot's point of view, the Focke Wulf 190 was perhaps the most beautiful fighter plane ever designed. Its clean and straightforward lines drew praises from both the German pilots who flew it, and the Allied pilots who fought against it. Beautifully combined with its appearance was the capability for top speed, neck-snapping maneuverability and heavy armament. The Focke Wulf 190 ranks as one of the most successful fighters ever developed.

Photo of painted and assembled model



For Ages 8 to Adult
To assemble this model kit you need Plastic Model Cement. If you wish to paint this model kit, the following colors are recommended:

Dk. Green Red
White Yellow Lt. Blue

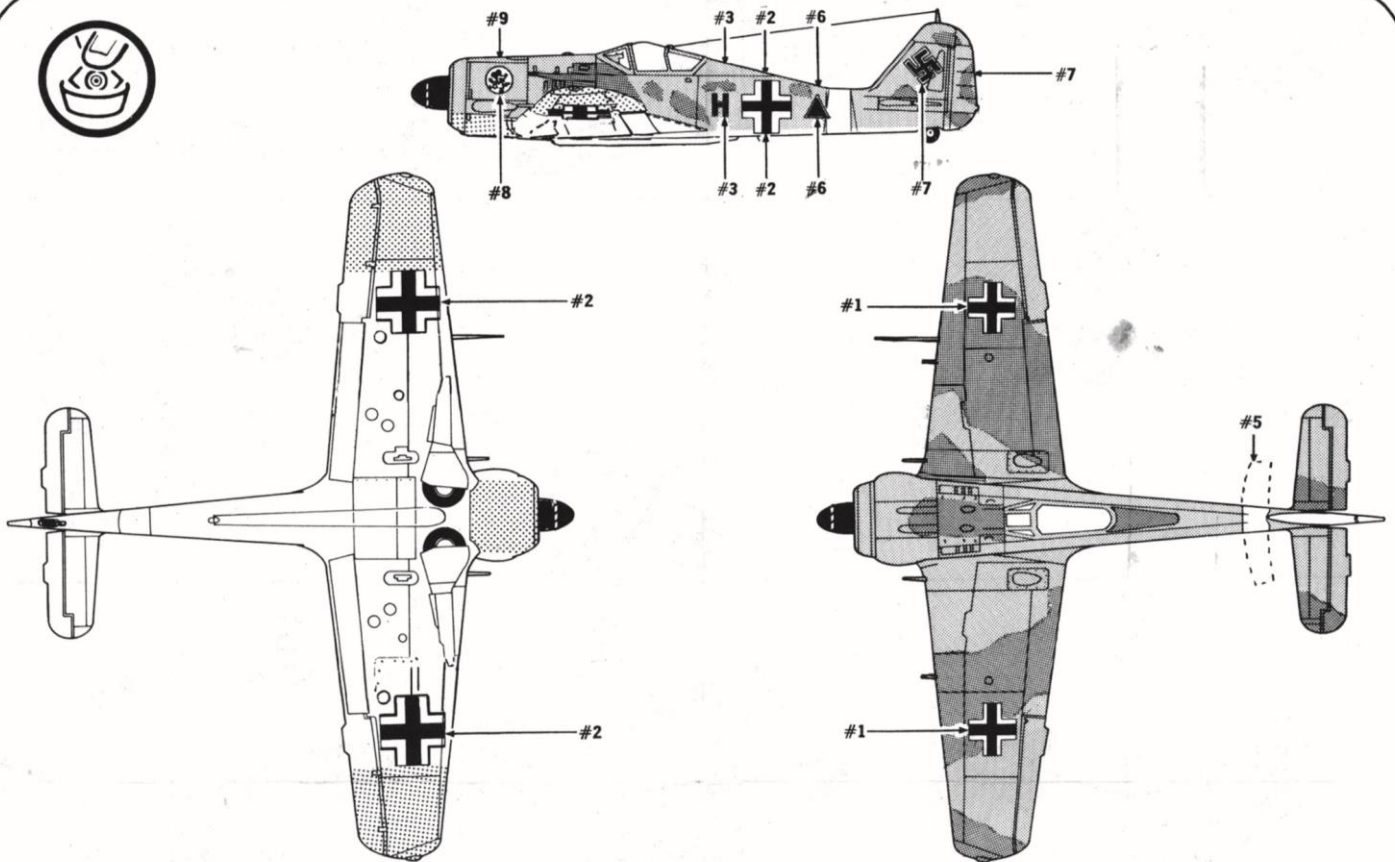
Paint & Cement not included.

Pas de décalcomanies disponibles actuellement.

FOCKE-WULF 190A

Revell

H-53-3800



Matt Dark Green Matt Dunkelgrün Vert Foncé Mat Mat Donkergroen Matt Mörkgrön Verde Oscuro Mate Verde Scuro Smorto	Matt Olive Green Matt Olivagrün Vert Olive Mat Mat Olijfgroen Matt Olivgrön Verde Oliva Mate Verde Oliva Smorto	Red Rot Rouge Rood Röd Rojo Rosso	White Weiss Blanc Wit Vit Blanco Bianco	Yellow Gelb Jaune Geel Gul Amarillo Giallo	Light Blue Hellblau Bleu Clair Lichtblauw Ljusblå Azul Claro Azzurro



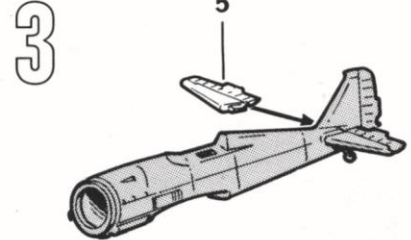
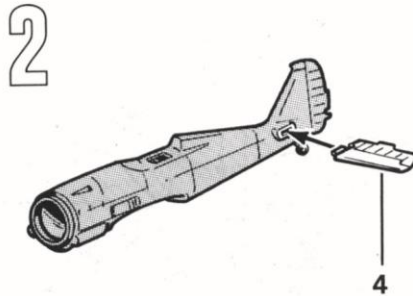
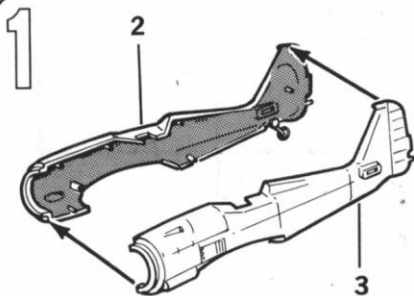
Do not cement
Nicht kleben
Ne pas coller
Niet plakken
Skall inte klistras
No encole
Non incollare



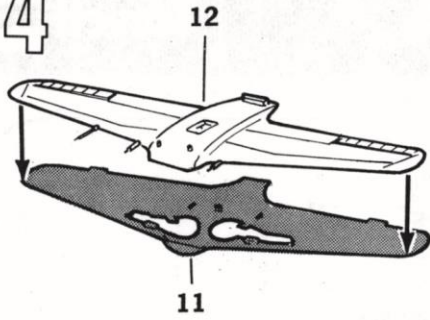
Optional
Wahlweise
Facultatif
Naar keuze
Valfri
Facultativo
Facoltativo



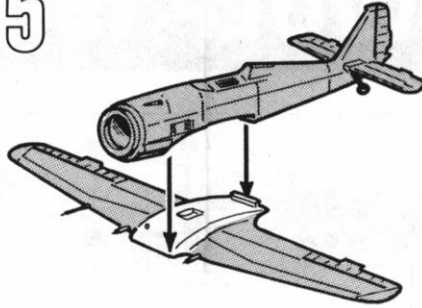
Soak and apply decal
Abziehbild in Wasser einweichen und anbringen
Mouiller et appliquer décal comanie
Maak plakplaatje door en door nat en bevestig het
Blot lagg market och satt pådet
Remoje y pegue la calcomania
Immergere nell acqua applicare calcomania



4

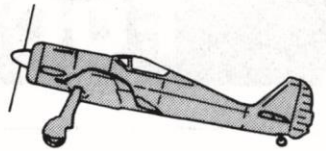


5



6

(A)

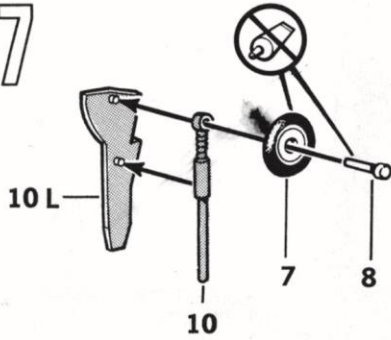


(?)

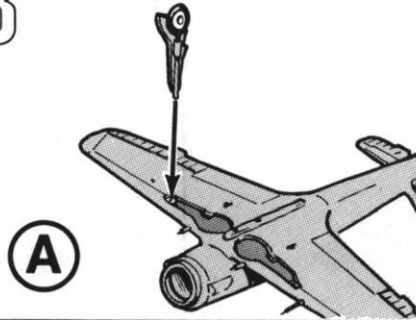
(B)



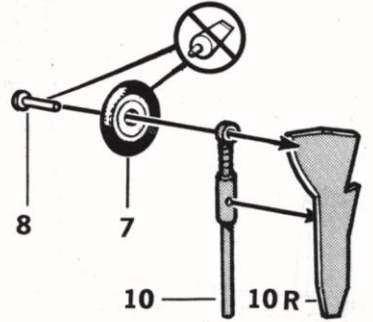
7



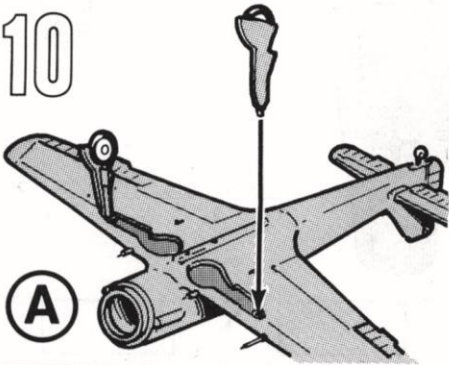
8



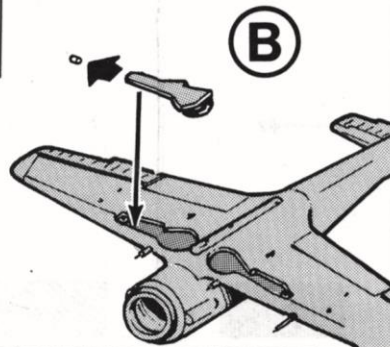
9



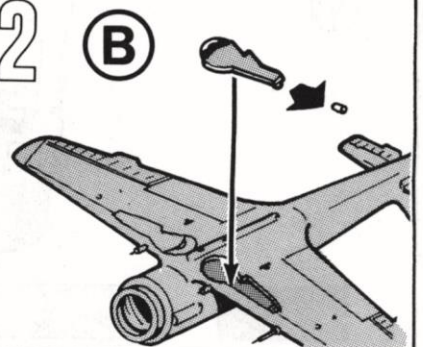
10



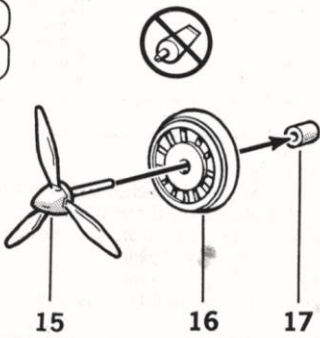
11



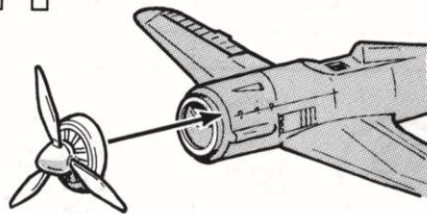
12



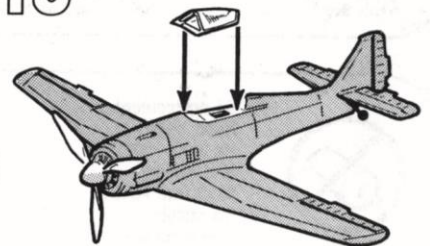
13



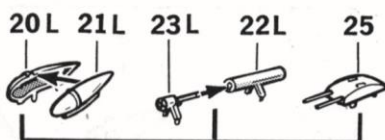
14



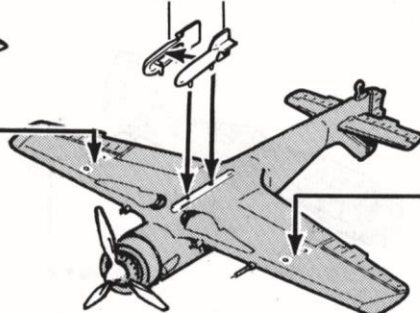
15



16



14 13



20R 21R

23R 22R

24

