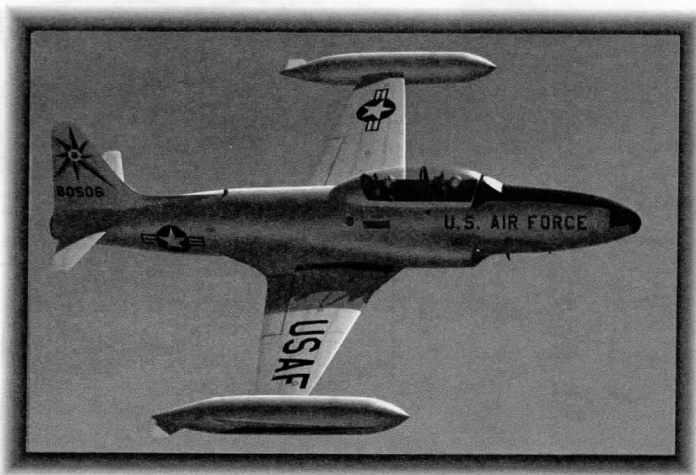


SW 72027 scale: 1/72

Lockheed T-33

USAF, RCAF



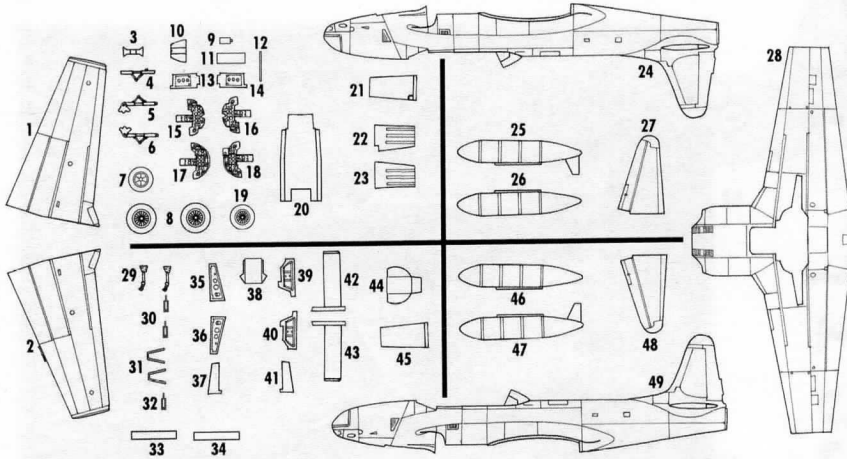
The airplane had its origin in June 1943, when Lockheed was requested to design a fighter around the De Havilland turbojet engine developed in England in response to Germany's twin-engine jet fighter, the Messerschmitt Me 262. It was flown for the first time on January 8, 1944, and its performance was very good. The USAAF planned to build the Shooting Star in large numbers. However, only few of the machines arrived in Italy before the end of the war in Europe, and these were never used in operations. Anyway production continued, but in smaller scale.

In 1947 P-80 changed its name to F-80, because newly independent USAF redesignated F (as fighter) to P (as pursuit).

Lockheed built 917 F-80A's and B's, one of which was modified for an attempt on the world speed record. On June 19, 1947, this plane achieved a speed of 623.8 miles per hour. Some of these modifications were retained in the F-80C, 798 of which were produced in 1948 and 1949. F-80C had an ejection seat and explosive canopy ejection system. When war started in Korea, F-80's were sent to the battle area to help the South Koreans. On November 10, 1950, Lieutenant Russell Brown, flying a Shooting Star, made history when he destroyed a Russian MiG-15 fighter in the world's first decisive all-jet combat. However during later stages of war, P-80C's were used in ground attack role, being superseded by F-84 and F-86.

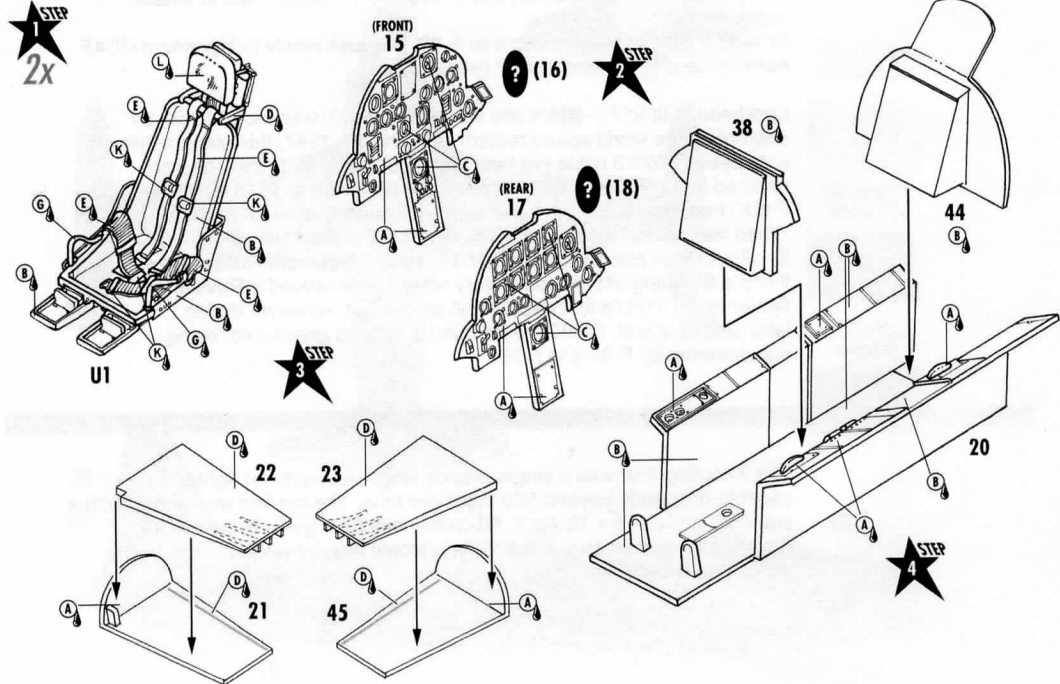
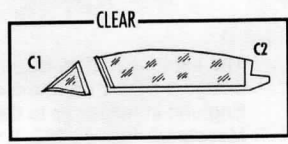
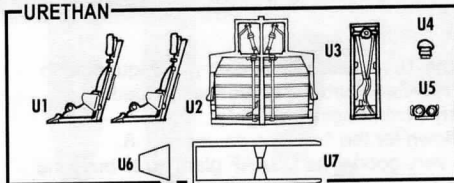
Specification

The Shooting Star was a single-engine single-seat turbojet fighter capable of speeds beyond 500 miles per hour. The system was armed with a standard array of 6 x 12.7mm .50 caliber machine guns. Provision for drop bombs and air-to-surface rockets would also be added to the armament capabilities.

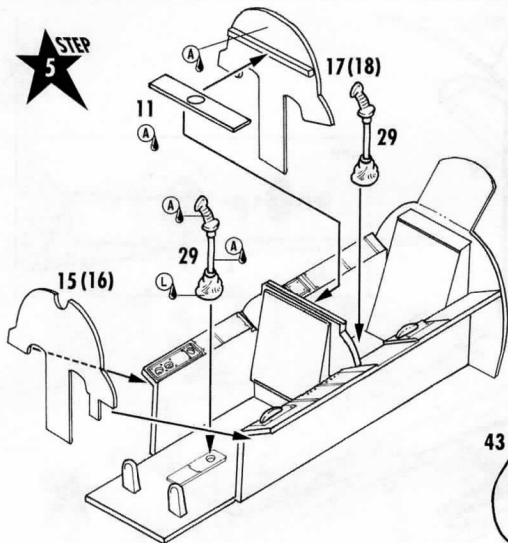


BARVA/COLOR	
A	Černá/Black
B	Interierová zelená/ Zinc chromate
C	Stříbrná/Silver
D	Hliník/Aluminium
E	Světle šedá/ Light Grey
F	Červená/Red
G	Žlutá/Yellow
H	Zelená/Green
I	Černošedá/ Tyre Black
J	Špinavý hliník/ Dirty Aluminium
K	Chromová/ Chrome
L	Hnědá/Brown
M	Kovová/Gun metal

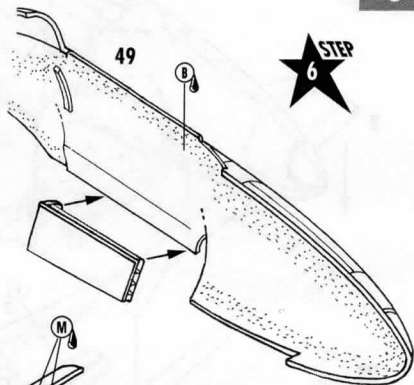
Drawings:MA



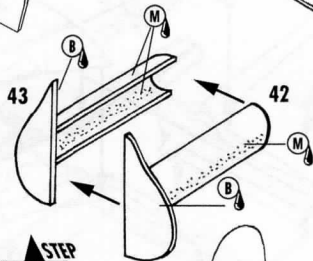
STEP 5



STEP 6

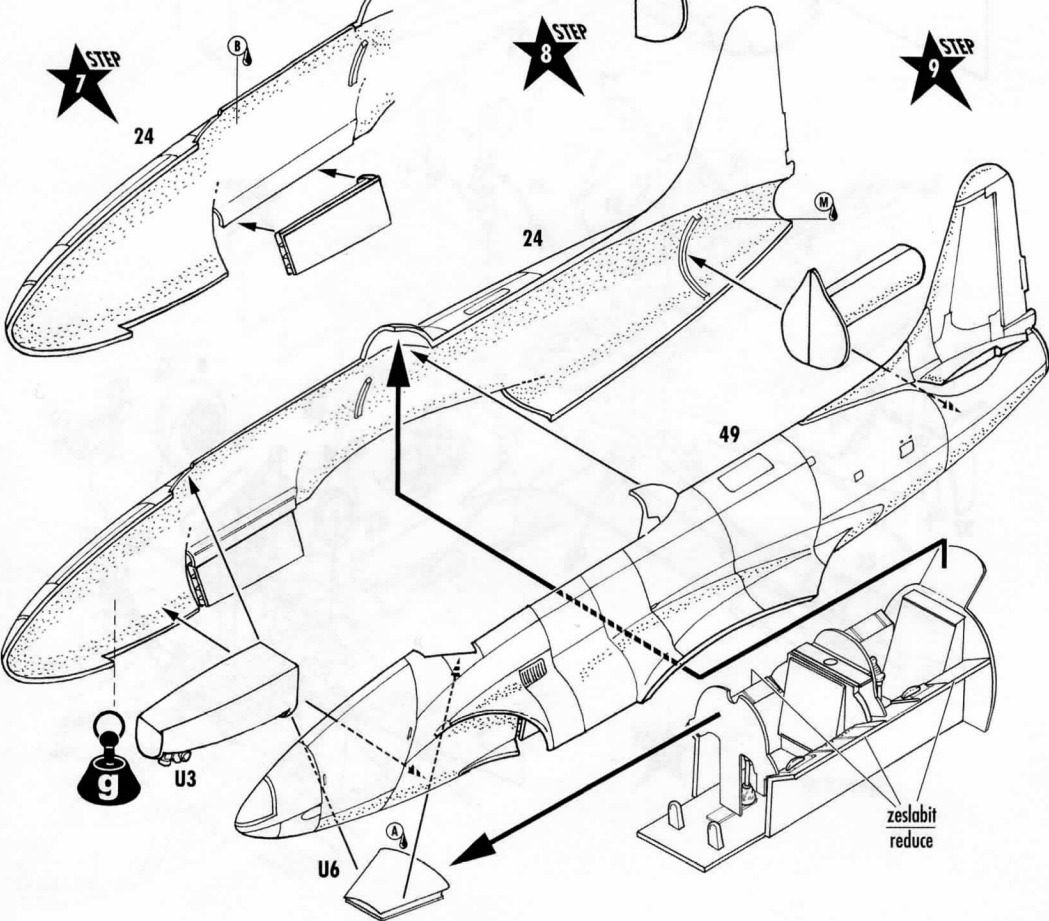
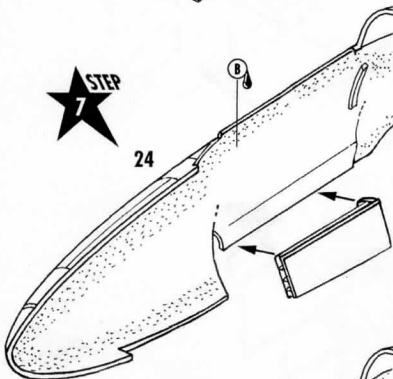


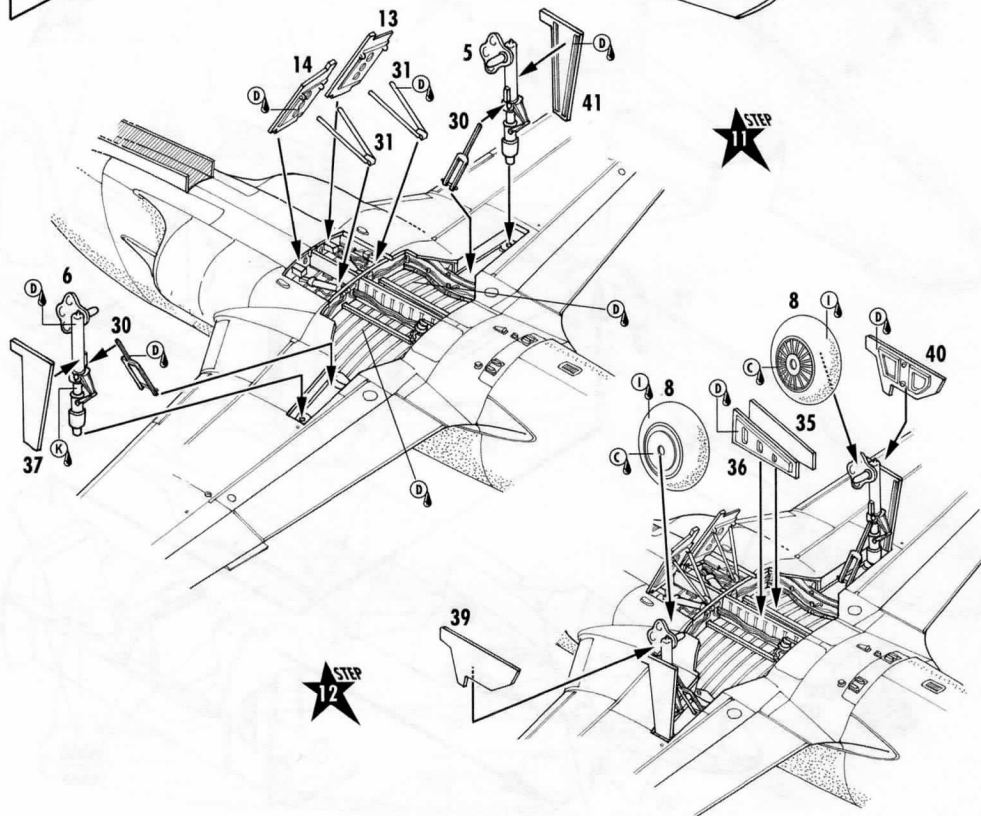
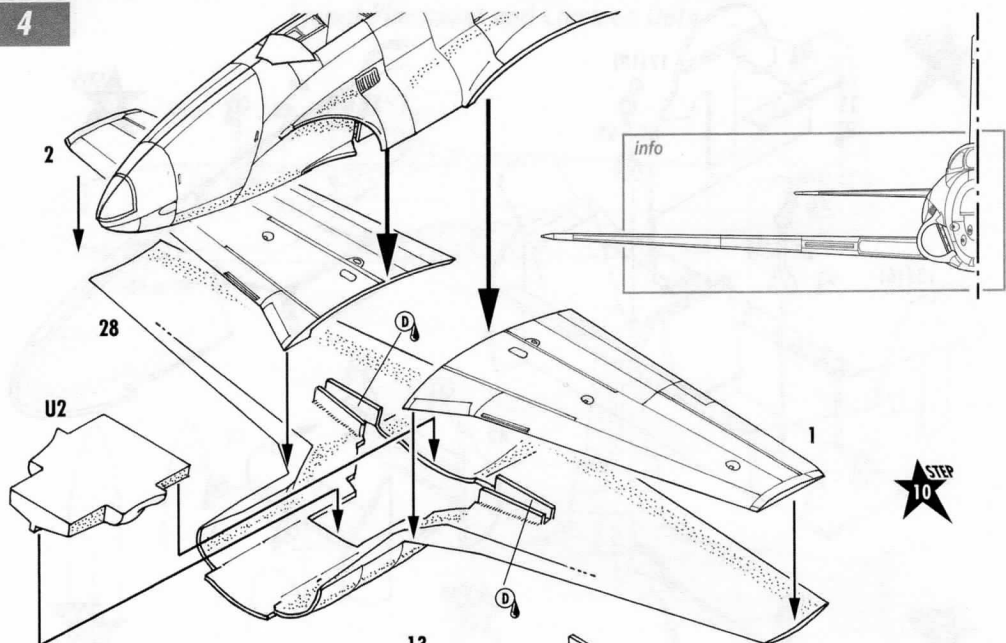
STEP 8



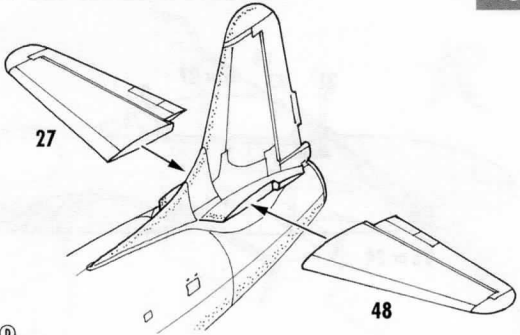
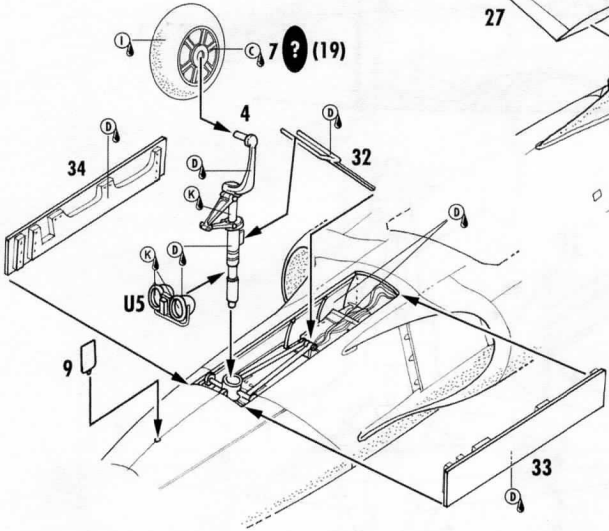
STEP 9

STEP 7

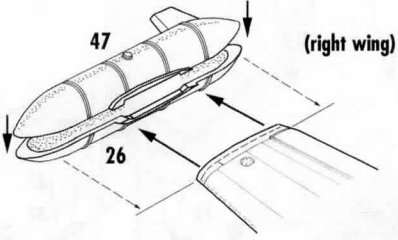




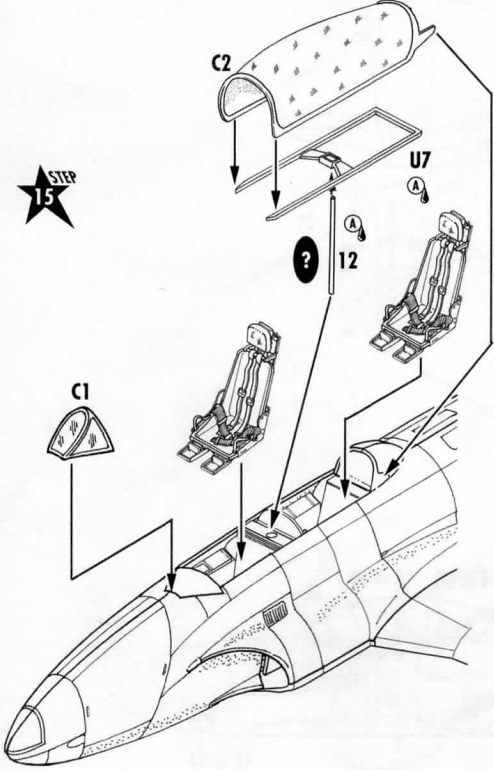
STEP 13



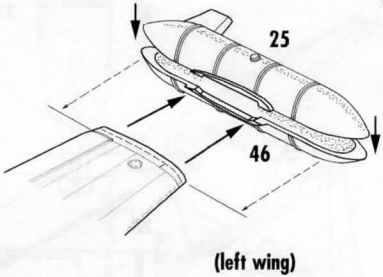
STEP 14



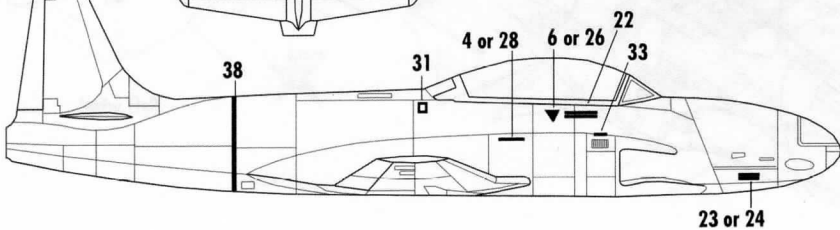
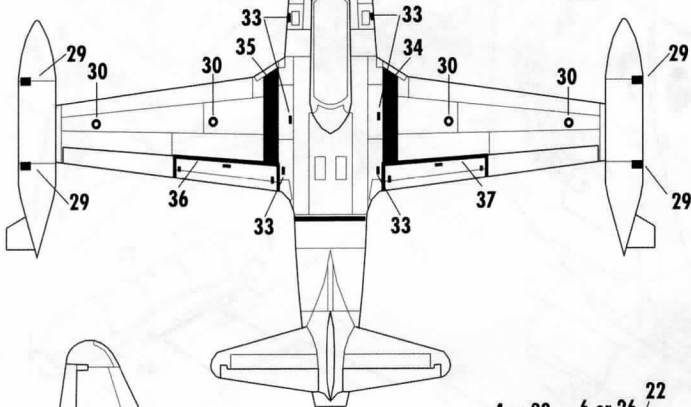
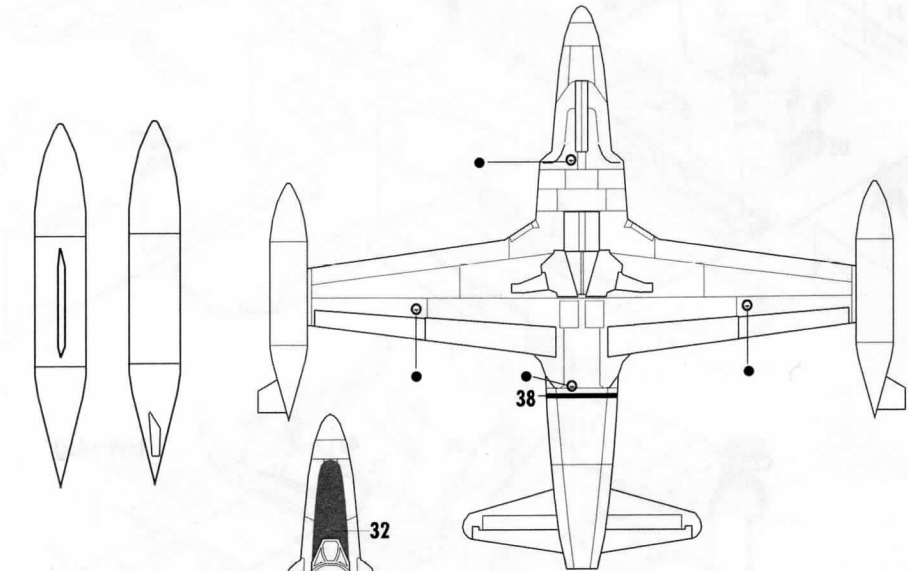
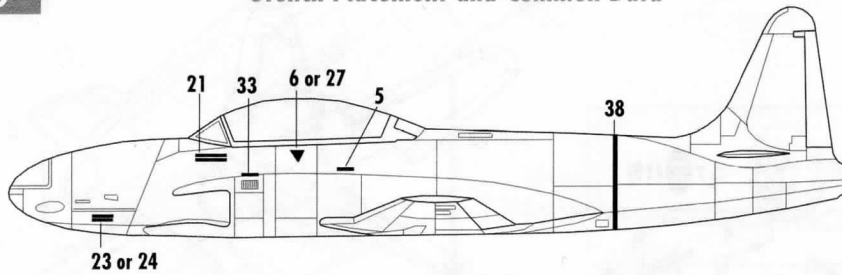
STEP 15



STEP 16

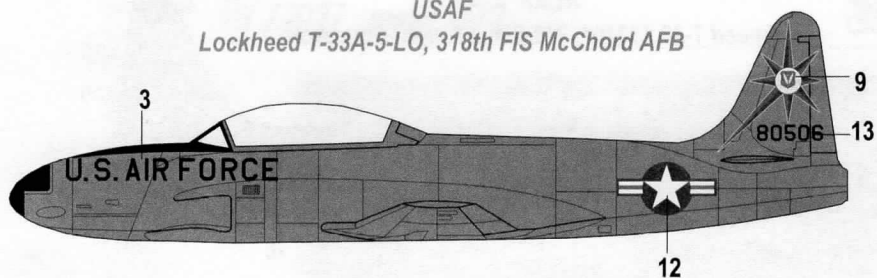


Stencil Placement and Common Data



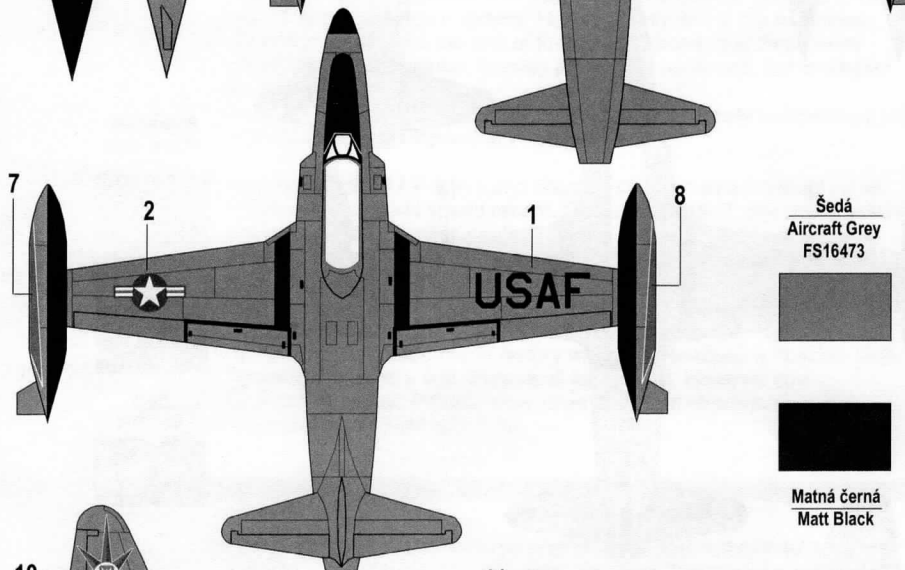
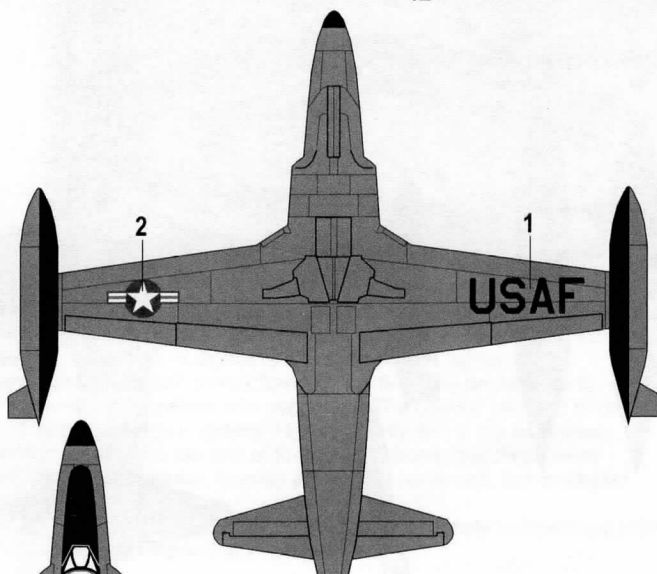
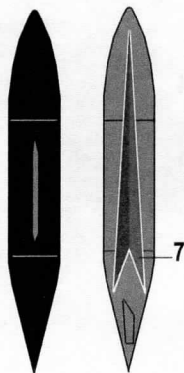
USAF

Lockheed T-33A-5-LO, 318th FIS McCord AFB

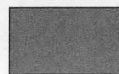


vnitřní strana
inside

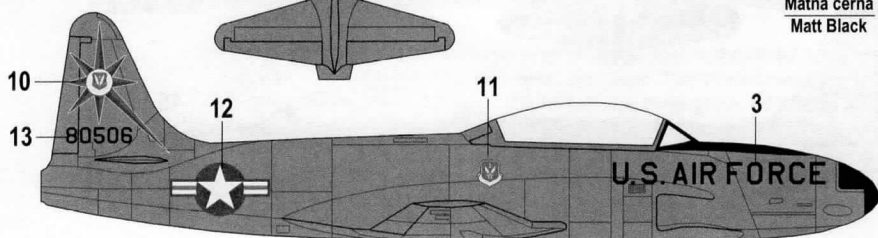
vnější strana
outside



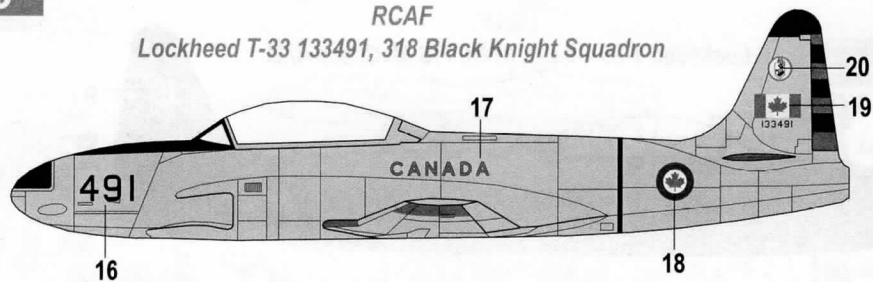
Šedá
Aircraft Grey
FS16473



Matná černá
Matt Black

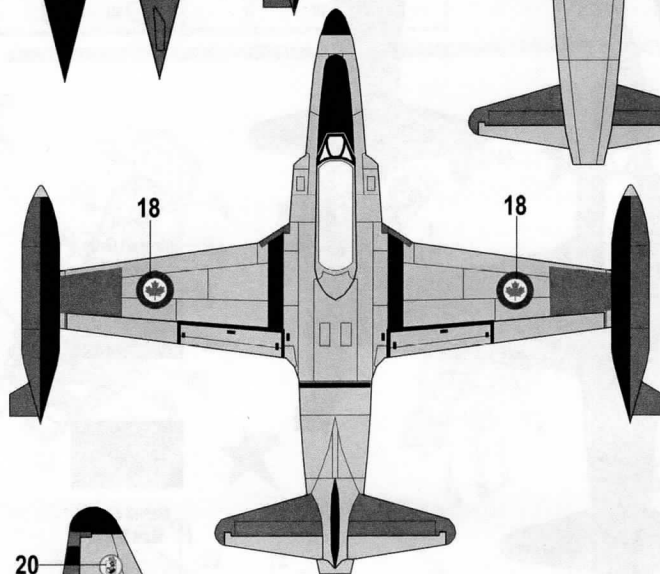
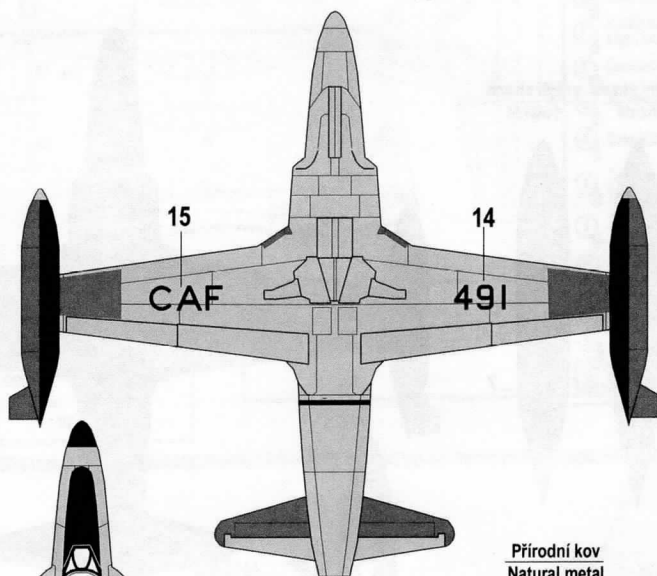
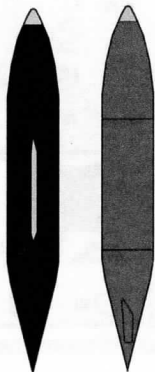


RCAF
Lockheed T-33 133491, 318 Black Knight Squadron

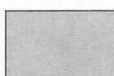


vnitřní strana
inside

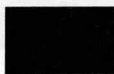
vnější strana
outside



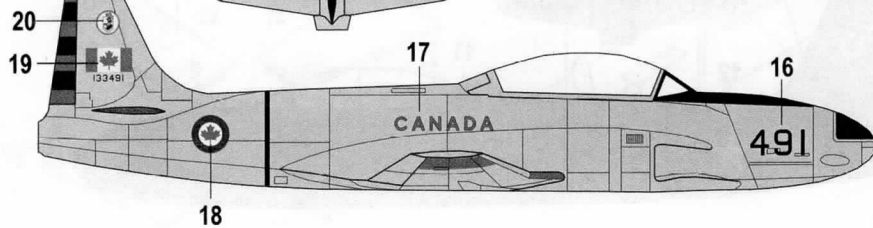
Přírodní kov
Natural metal





Matná černá
Matt Black



Rudá
Dark Red



USAF ¹  ²  USAF ⁷ ¹

U.S. AIR FORCE ³



U.S. AIR FORCE ⁴



491 CAF ¹⁴ ¹⁵



491 ¹⁶ 491 ¹⁵



11

80506 ¹³ 80506

CANADA ¹⁷
CANADA



21 22

23



24

25

26

27

28

29



31

NO STEP



NO STEP

33

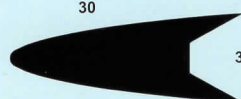
NO STEP

NO STEP

NO STEP

NO STEP

NO STEP



32

34

NO STEP

NO STEP

NO STEP

NO STEP

NO STEP

35

36

37

38



Lockheed T-33A Shooting Star

Printed by Techmod