

1/35 SCALE
5070
Military Miniature Series



Pz.Kpfw.III Ausf.J

ドイツPz.Kpfw.III Ausf.J 德国3号J型坦克

ASSEMBLY ICONS



OPTIONAL
选择



CEMENT
膠水



DO NOT CEMENT
不使用膠水



INSTANT CEMENT
瞬間接著劑



BEND
彎折



MAKE 2
製作2組



OPEN HOLE
鑽孔



REMOVE
切除



BE CAREFUL
注意



APPLY DECAL
貼上水貼紙

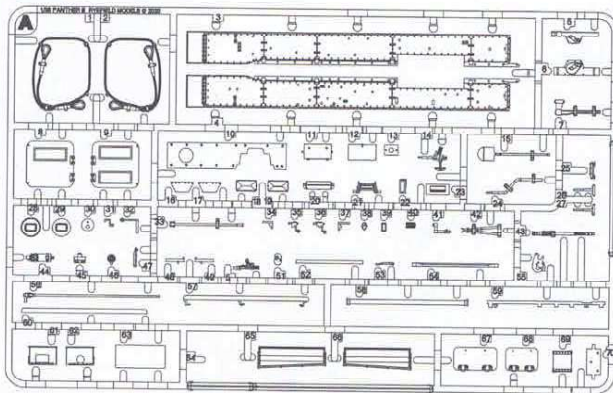
CAUTION!

Read carefully and fully understand the instructions before commencing assembly.
Supervising adult should also read the instructions if a child assembles the model.
When you used glue or paint, do not use near a naked flame, and use in a well-ventilated room.
When assembling this kit, tools including knives are used. Extra care should be taken to avoid personal injury.
Read and follow the instructions supplied with paints and/ or cement. Use plastic cement and paints only.
Keep out of reach of small children. Children must not be allowed to suck any part, or pull vinyl bag over the head.

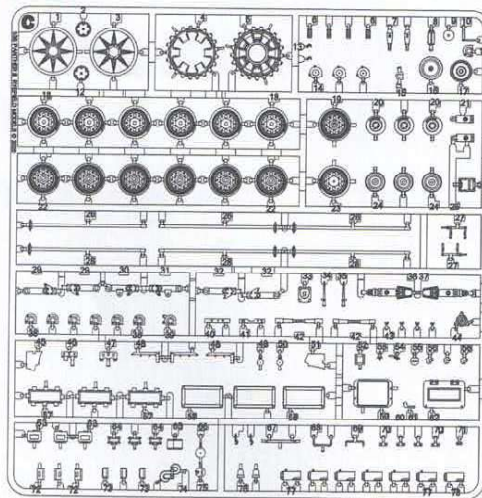
在裝配前仔細閱讀說明並完全理解。小孩裝配時需成人看護且需仔細閱讀說明。
使用膠水和油漆時，應遠離火源並打開窗戶保持空氣流通。
製作時請格外注意工具刀和零件的鋒利尖銳部分，避免對身體造成傷害。
在使用膠水和油漆前仔細閱讀注意事項，按照說明正確使用膠水和油漆。
請將本品放在兒童接觸不到的地方，套件中的塑膠包裝袋會對兒童造成窒息的危險。

PARTS 部品图

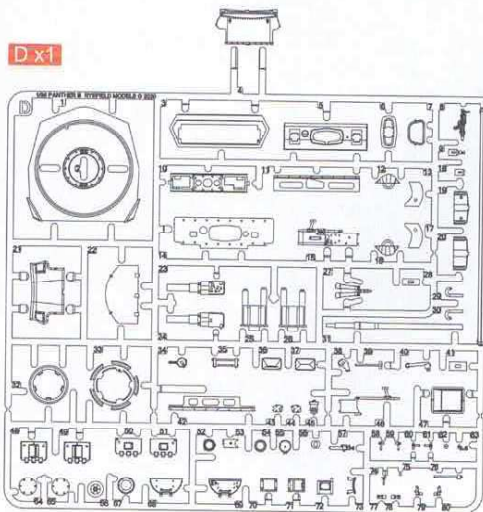
A x1



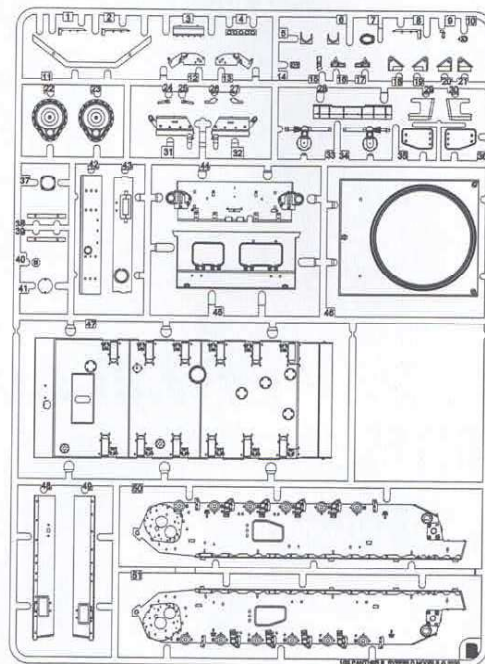
C x2



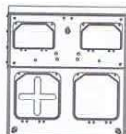
D x1



B x1



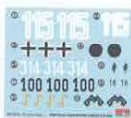
Lower Hull x1



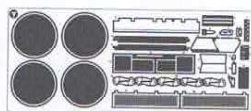
Lower Hull x1



Decal



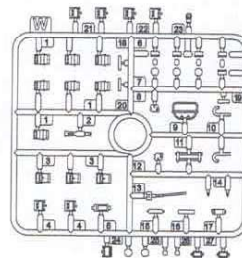
Y x1



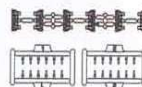
Poly Cap



W x1



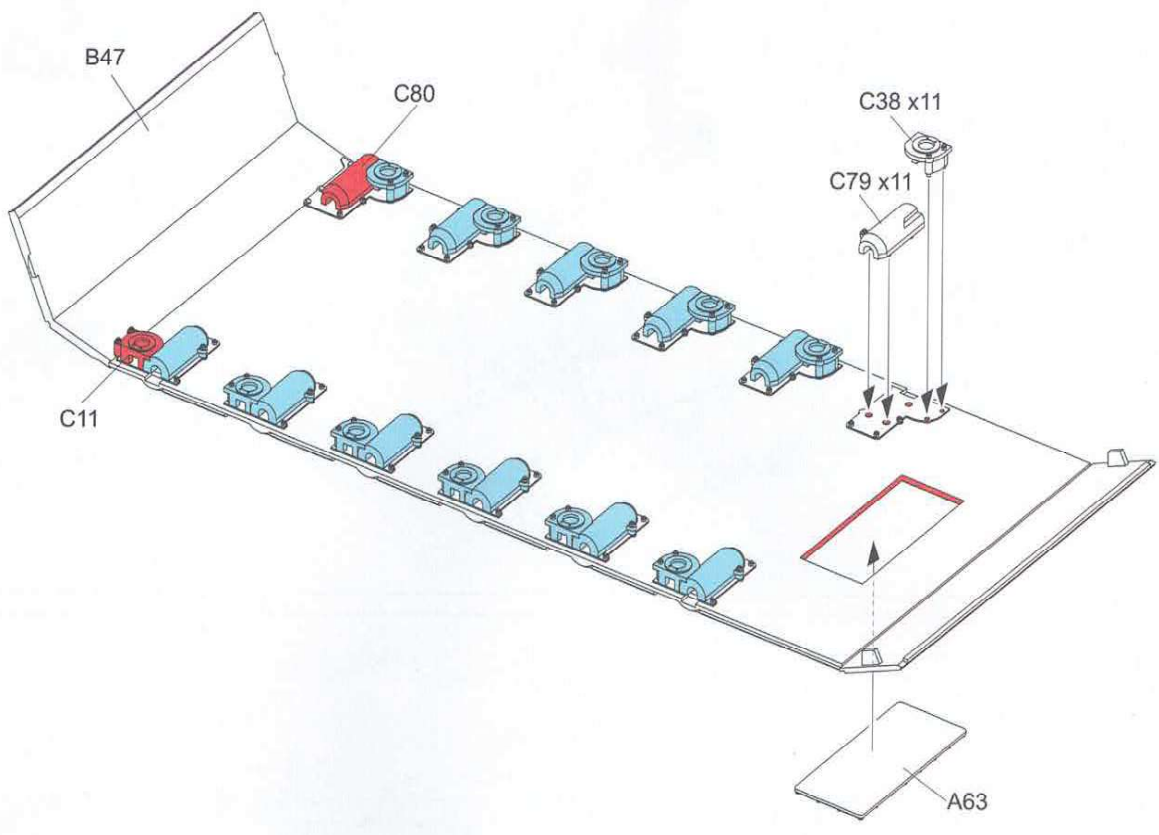
Tracks x 216



Spring

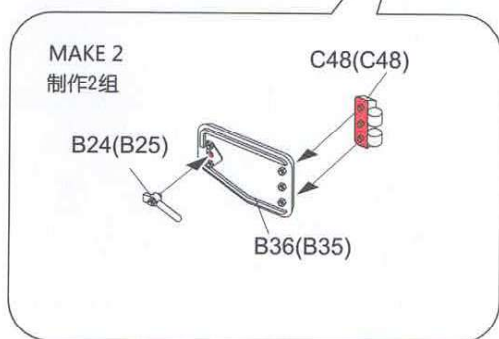
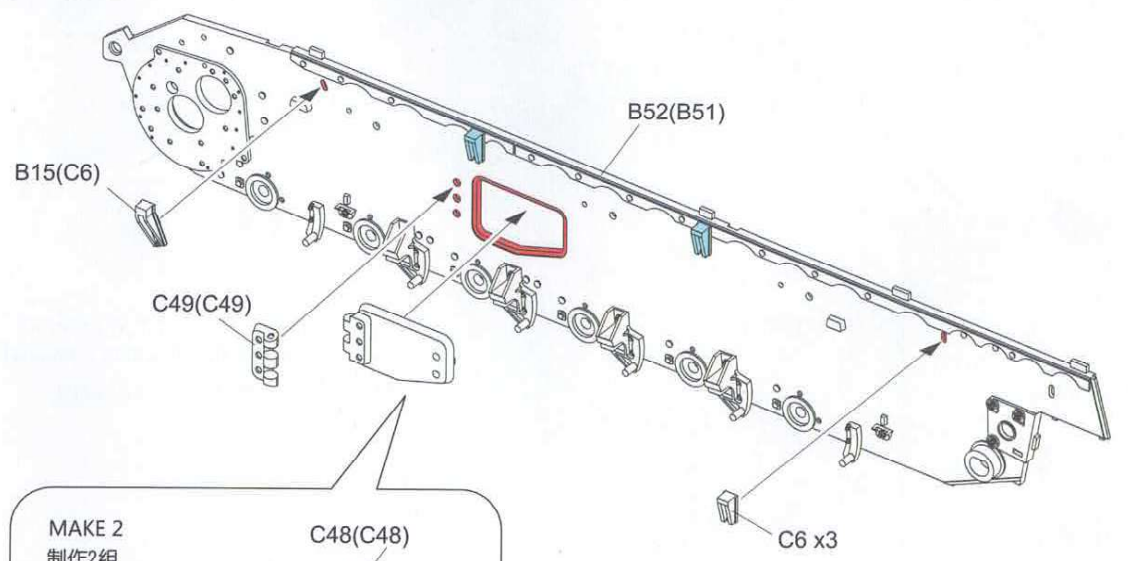


1

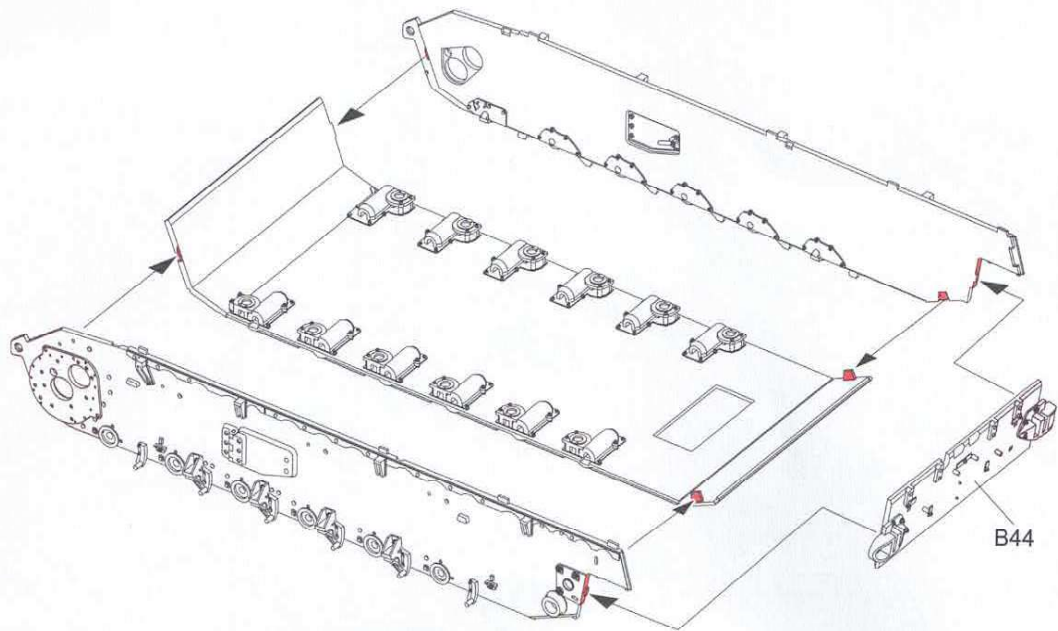


2

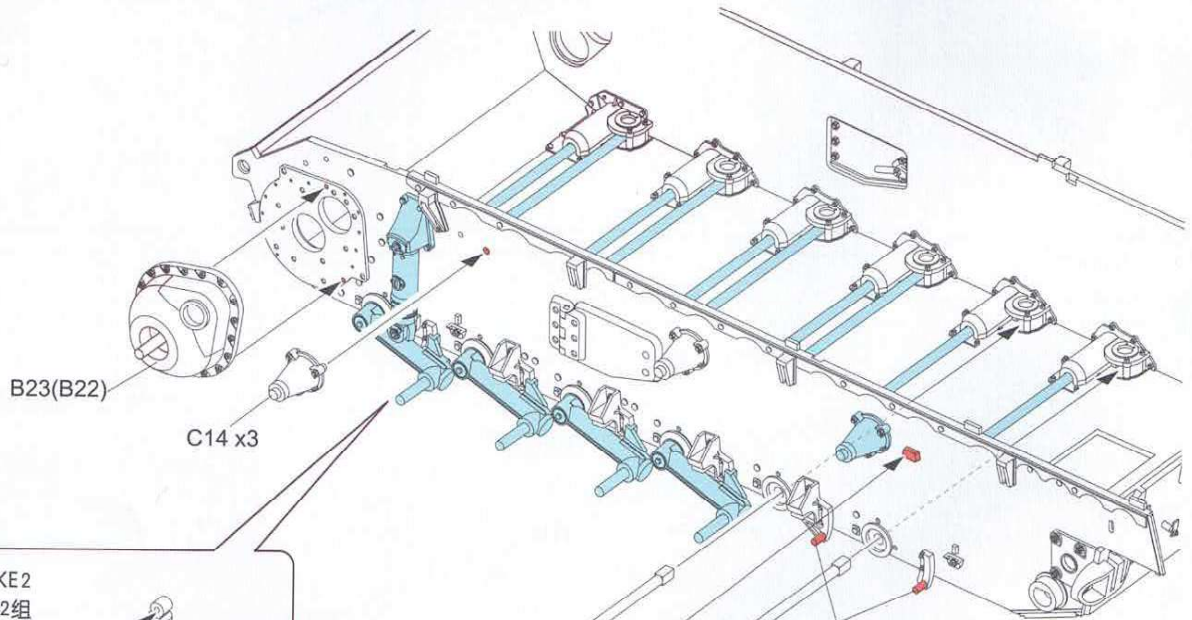
MAKE 2
制作2组



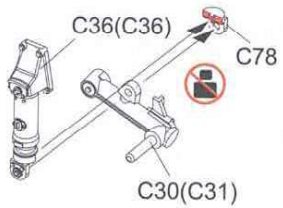
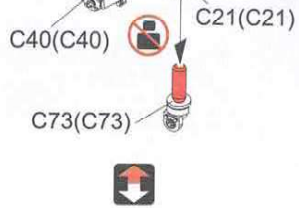
3



4



MAKE2
制作2组



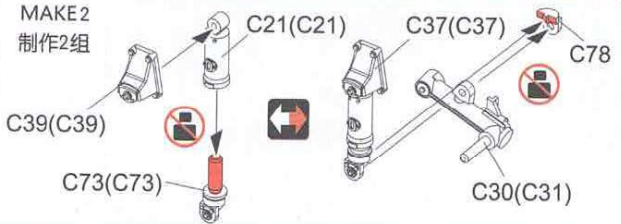
C26 x6(C28 x6)

C32 x4(C29 x4)

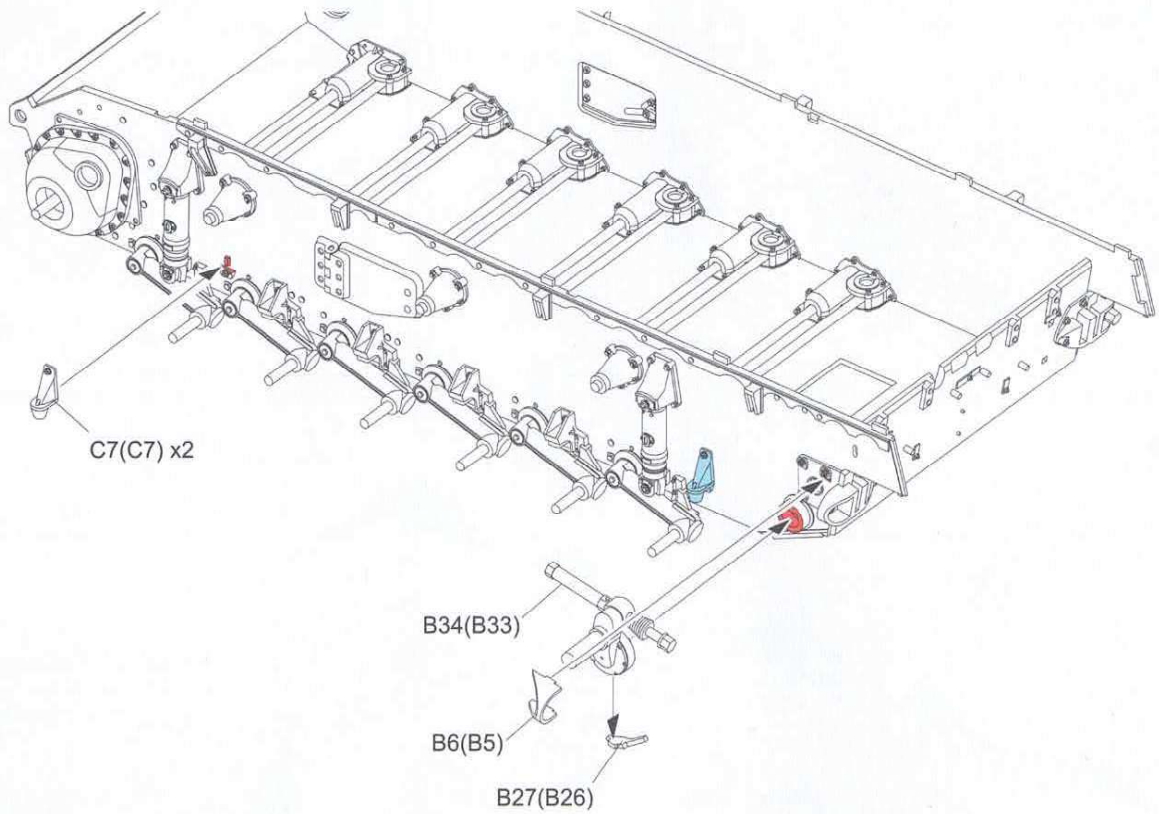


Cut out the part if you choose
to install the movable suspension.
切除红色部分可制作活动悬挂

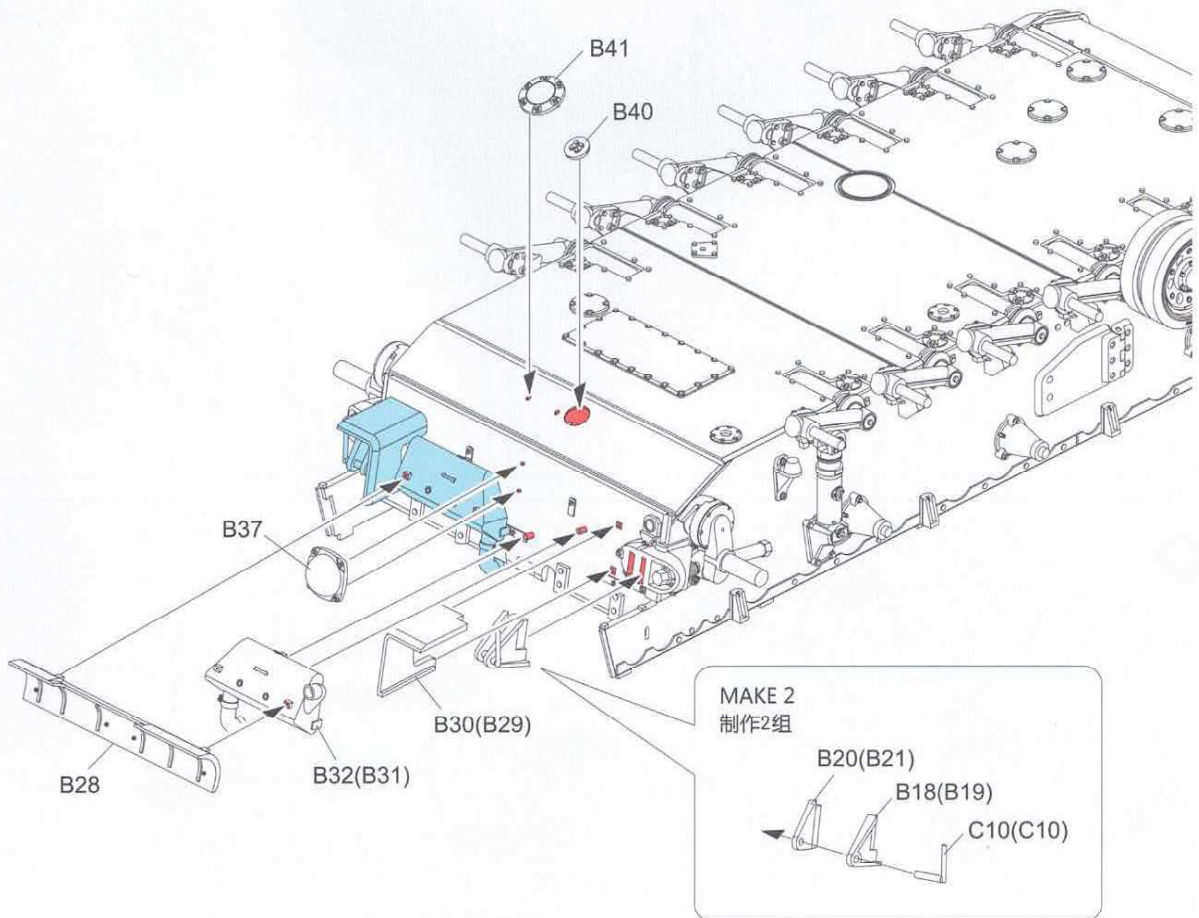
MAKE2
制作2组



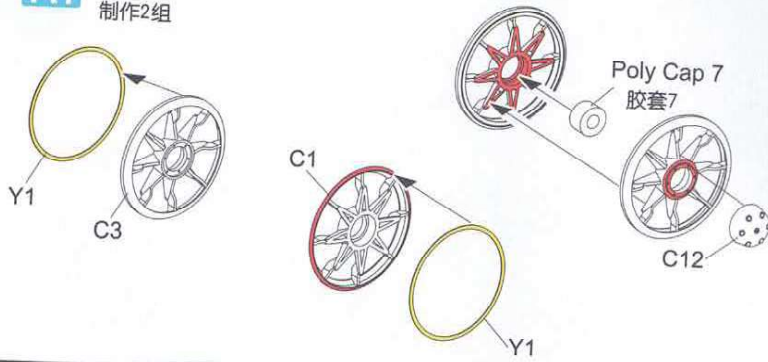
5



6

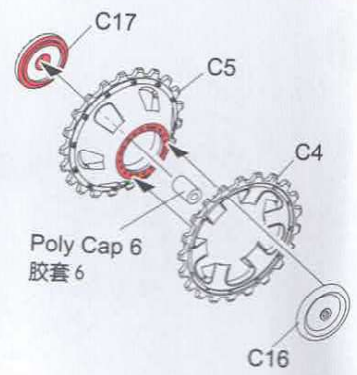


A1 MAKE 2
制作2组

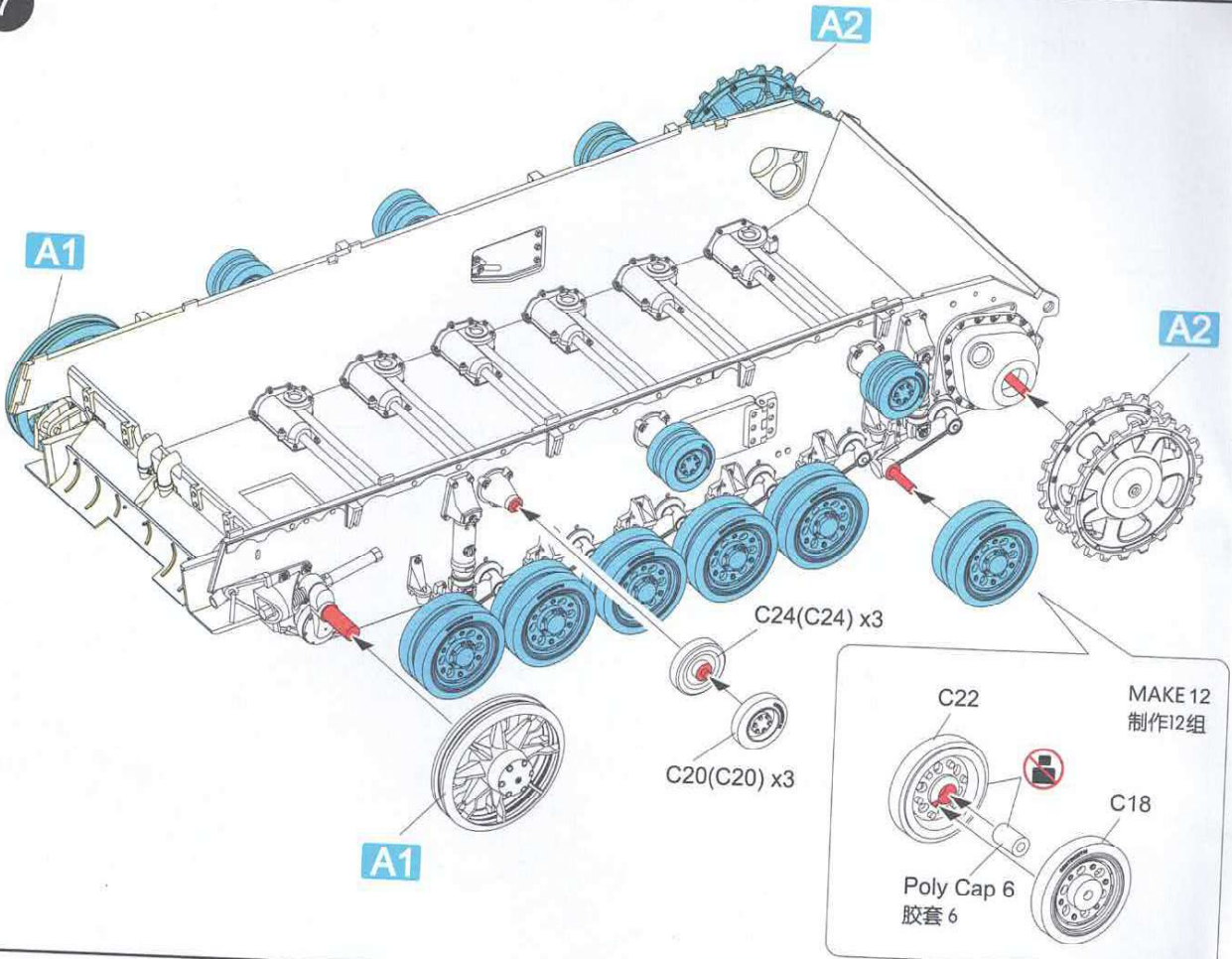


A2

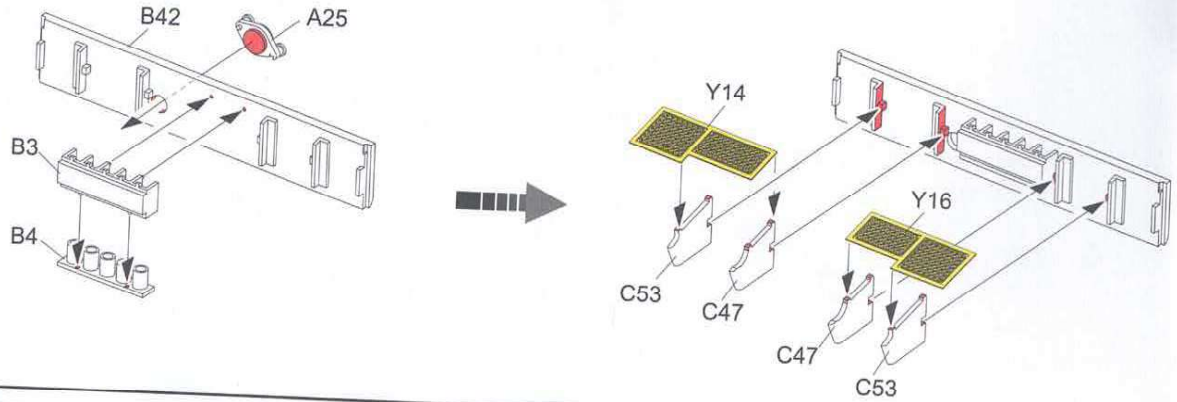
MAKE 2
制作2组



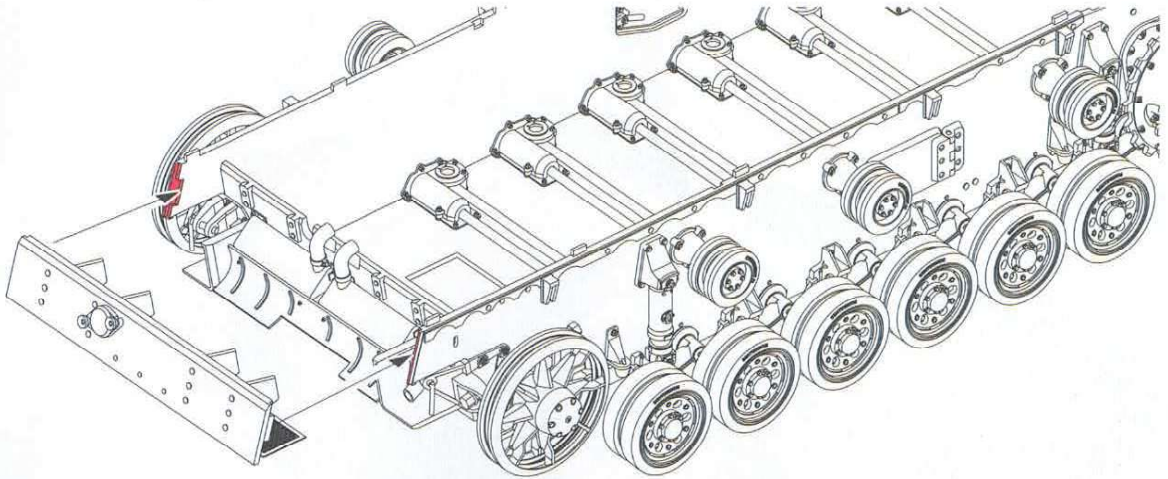
7



8

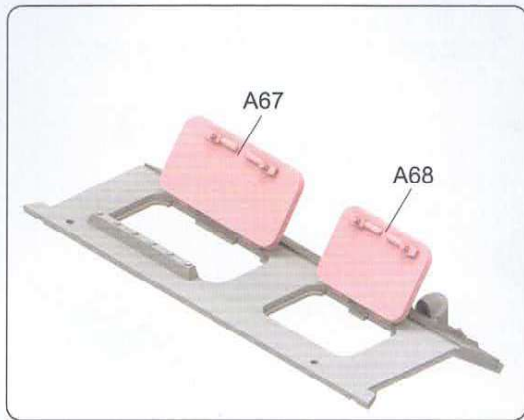
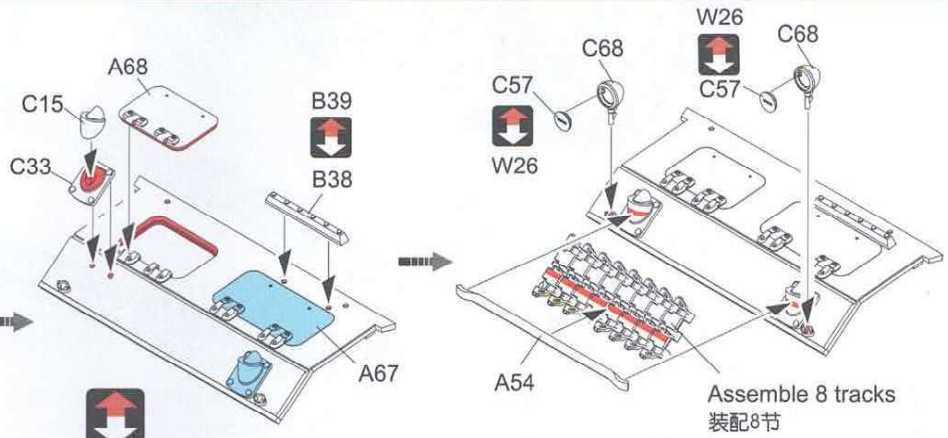
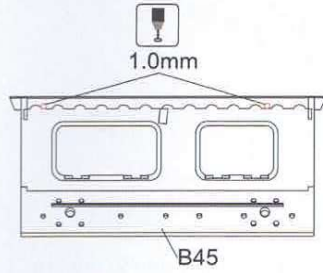


9



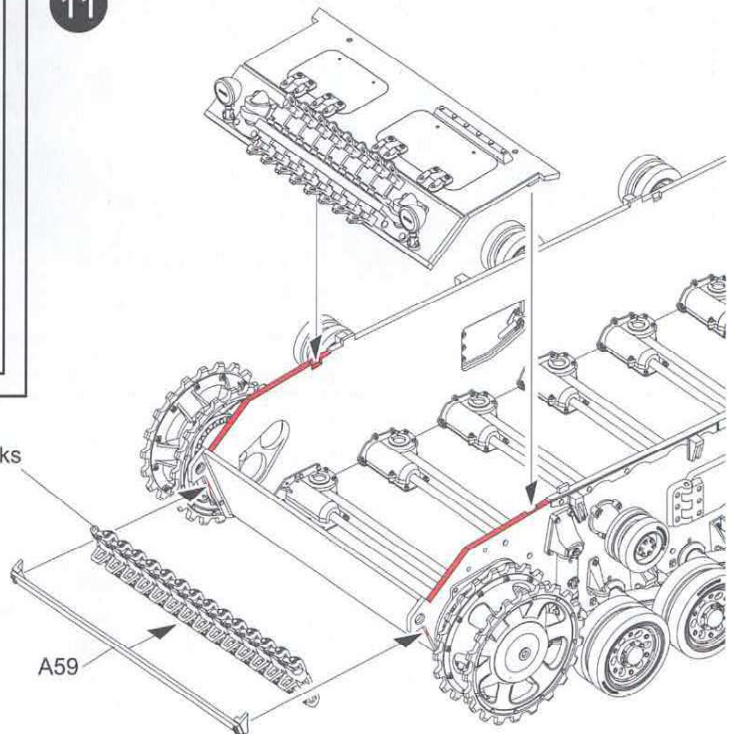
10

Drill holes when choice assemble additional armor plates
 选装附加装甲时钻孔

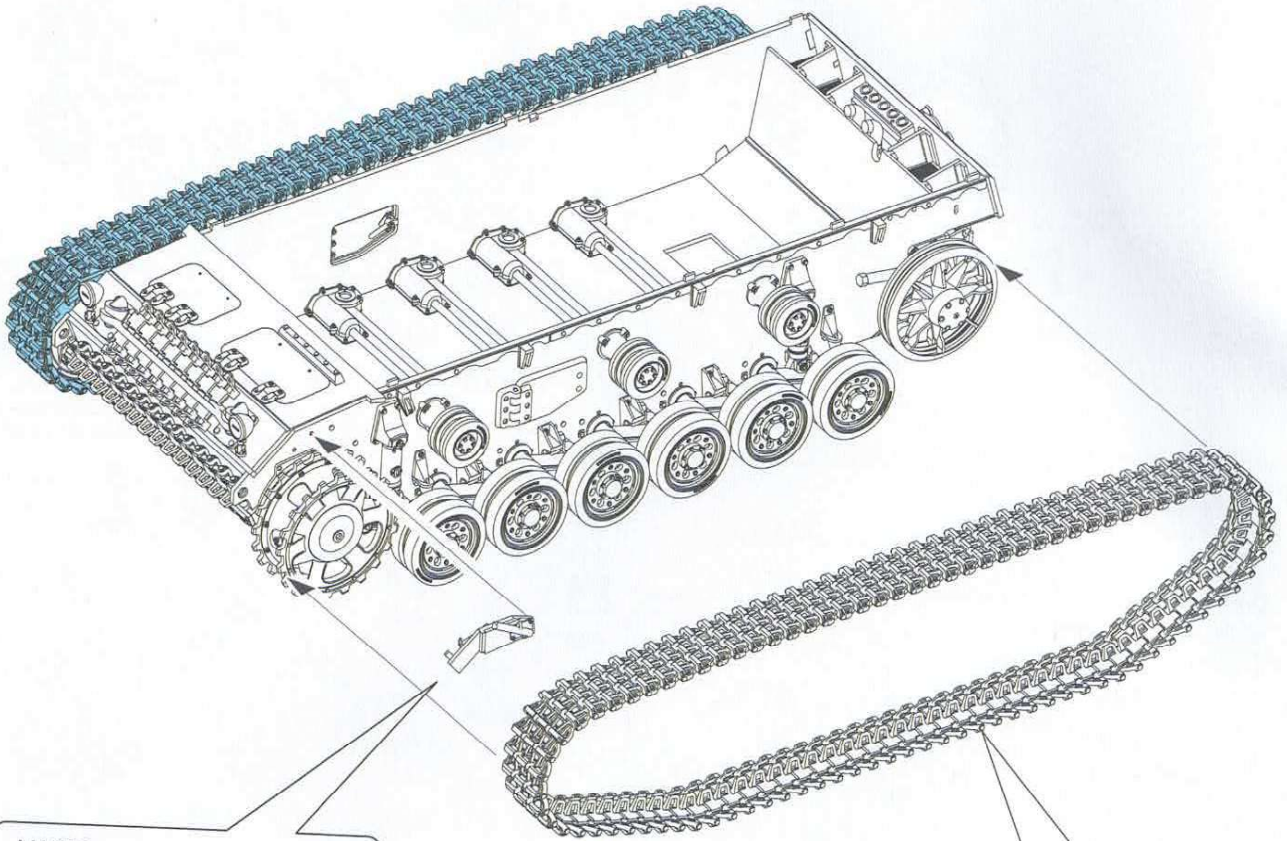


11

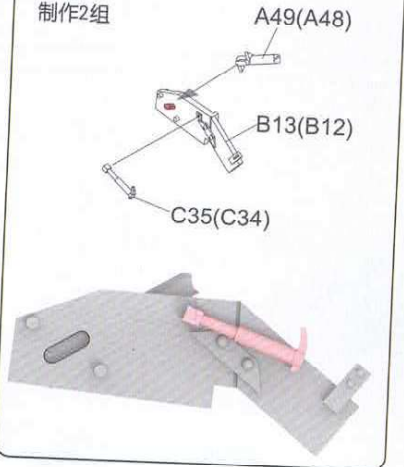
Assemble 14 tracks
装配14节



12



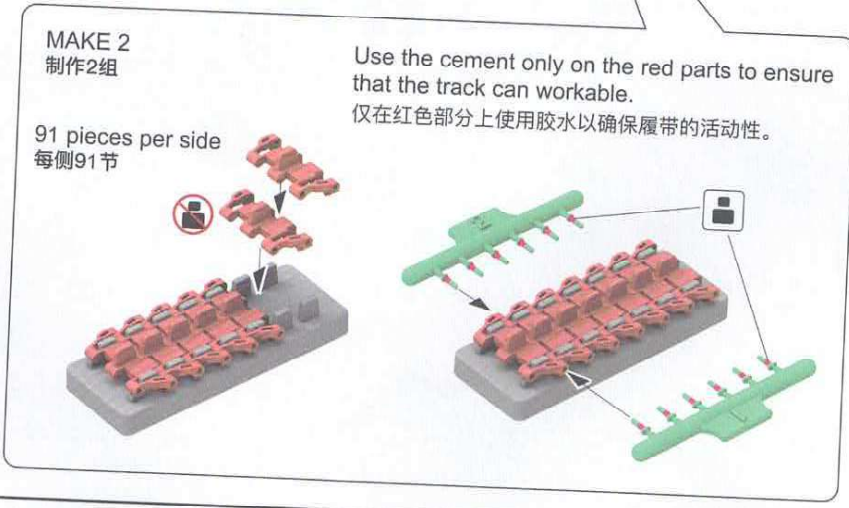
MAKE 2
制作2组



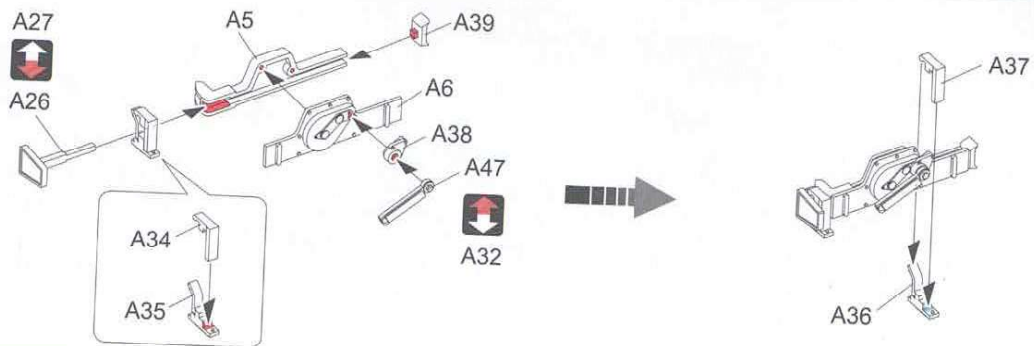
MAKE 2
制作2组

91 pieces per side
每侧91节

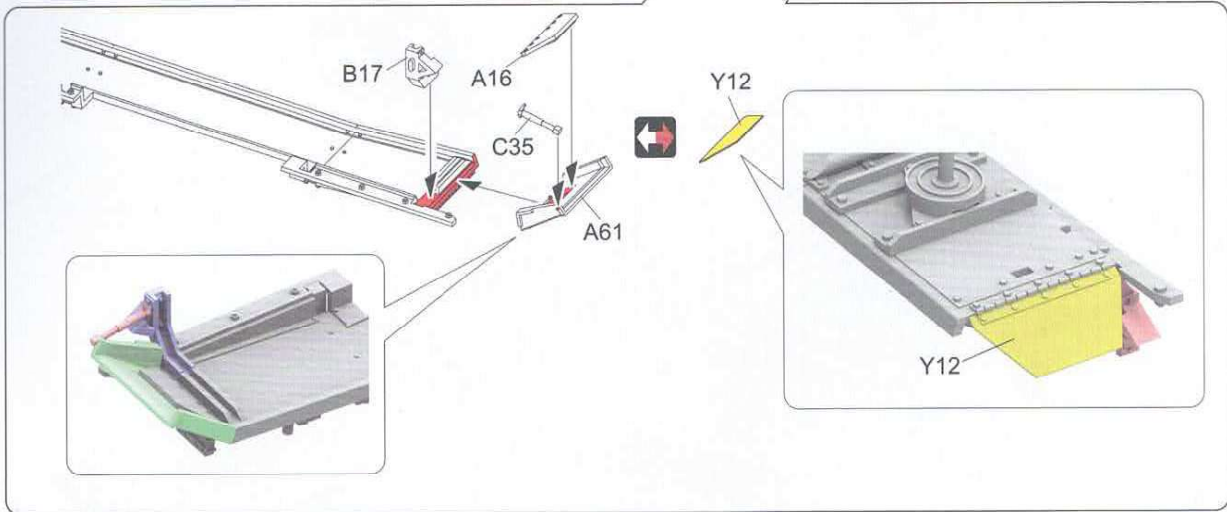
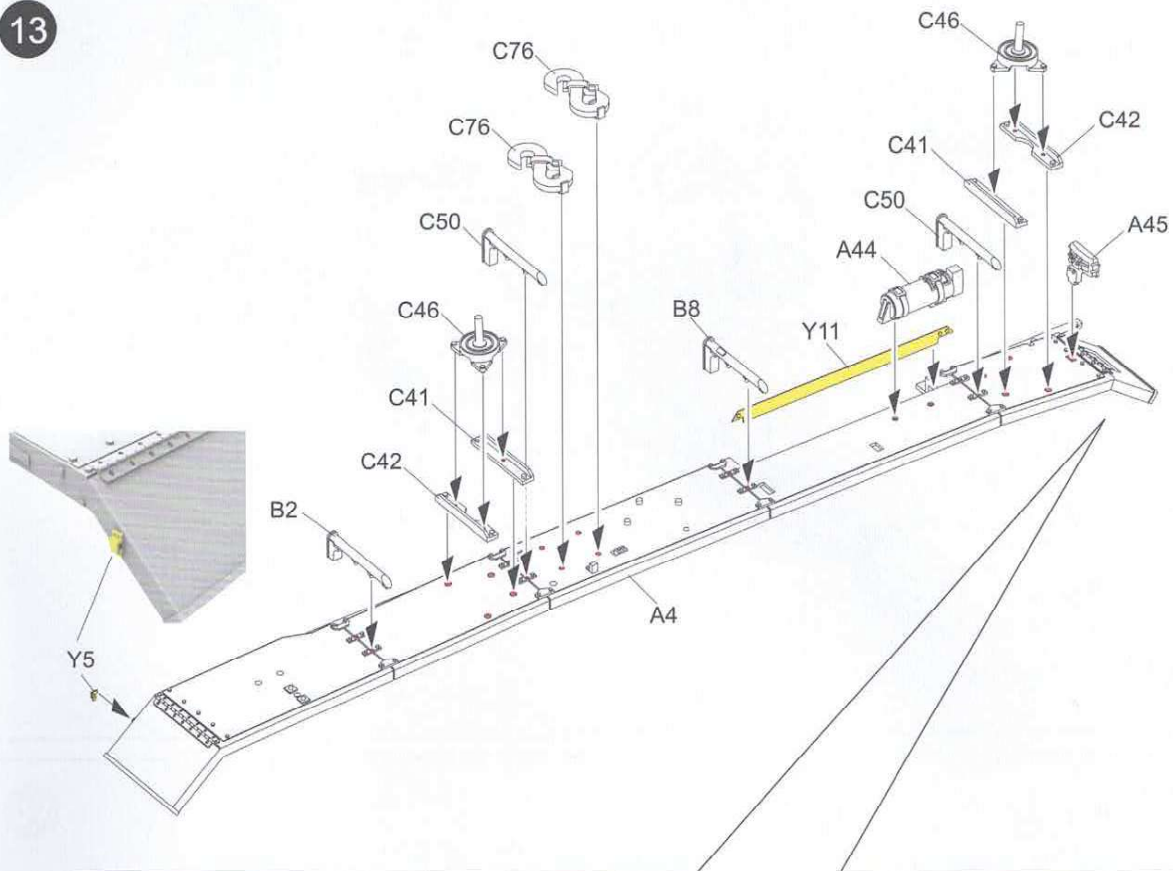
Use the cement only on the red parts to ensure that the track can workable.
仅在红色部分上使用胶水以确保履带的活动性。



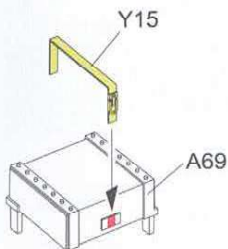
A3



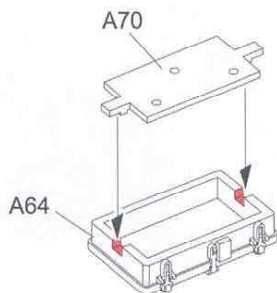
13



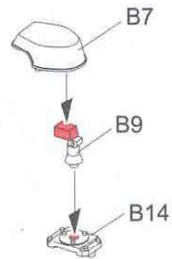
A4



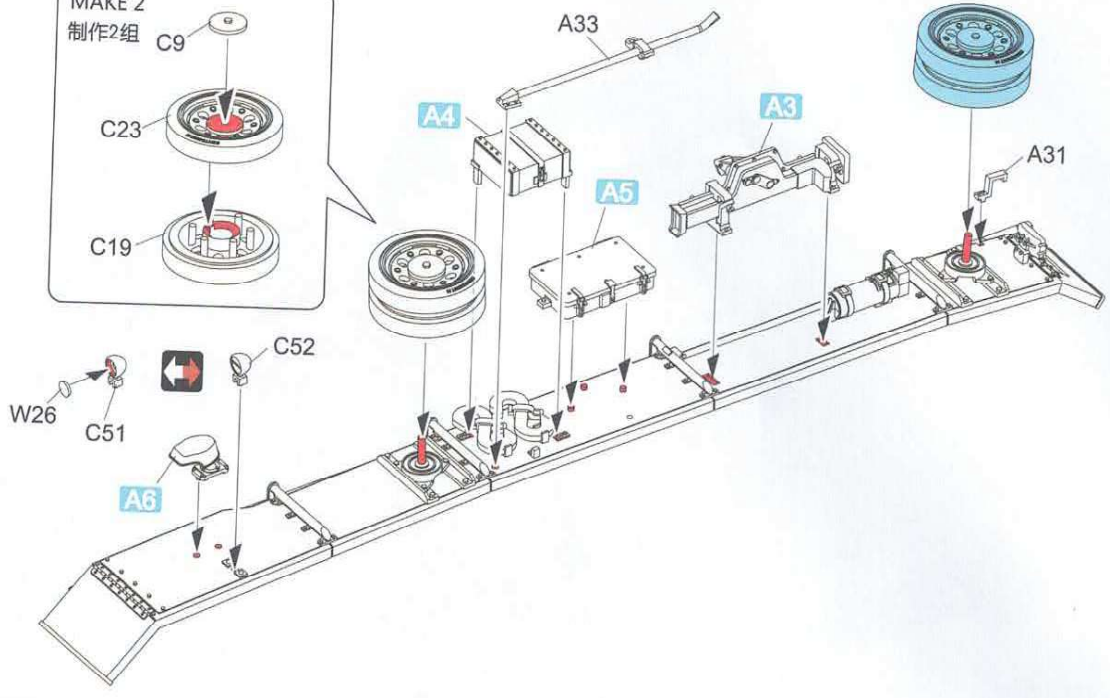
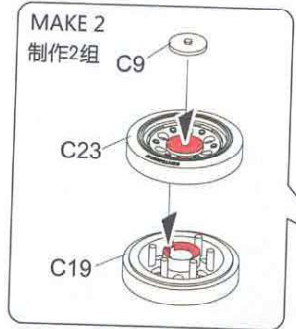
A5



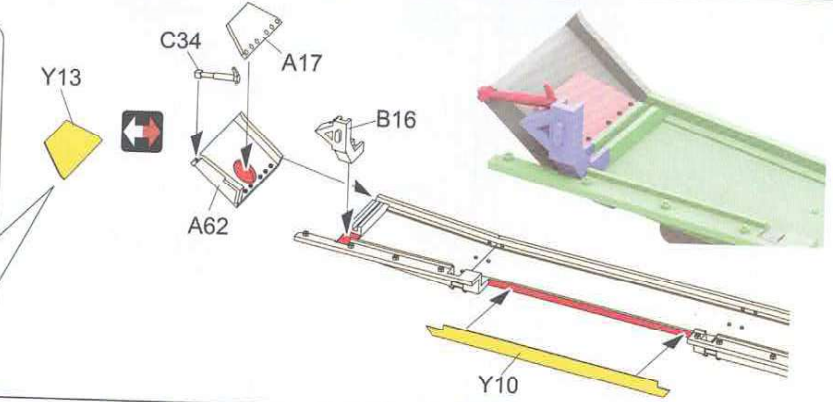
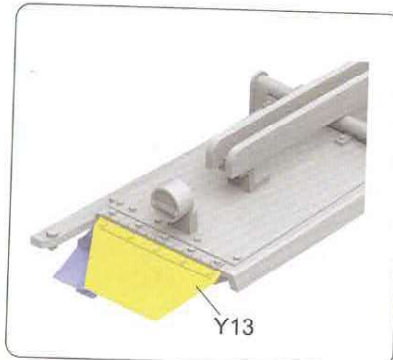
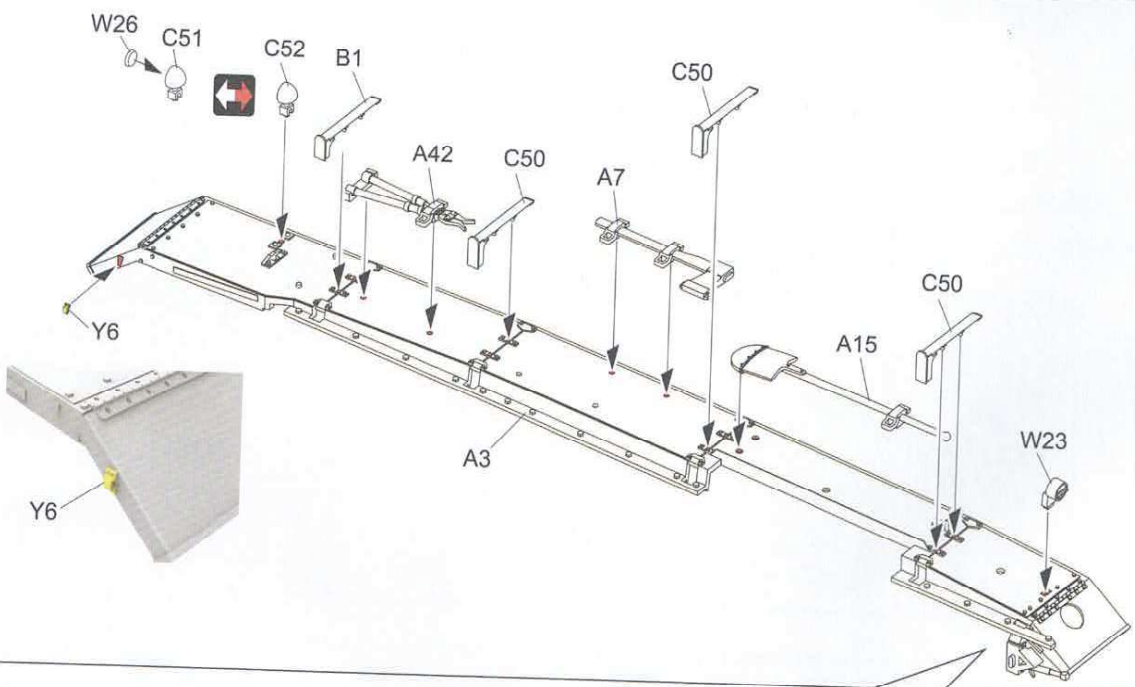
A6



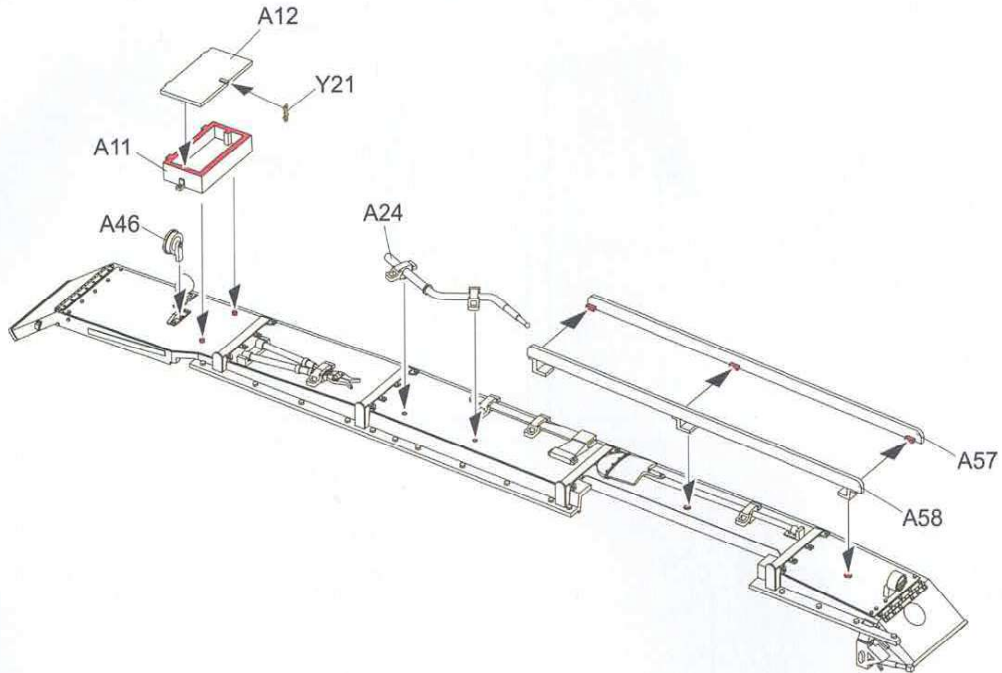
14



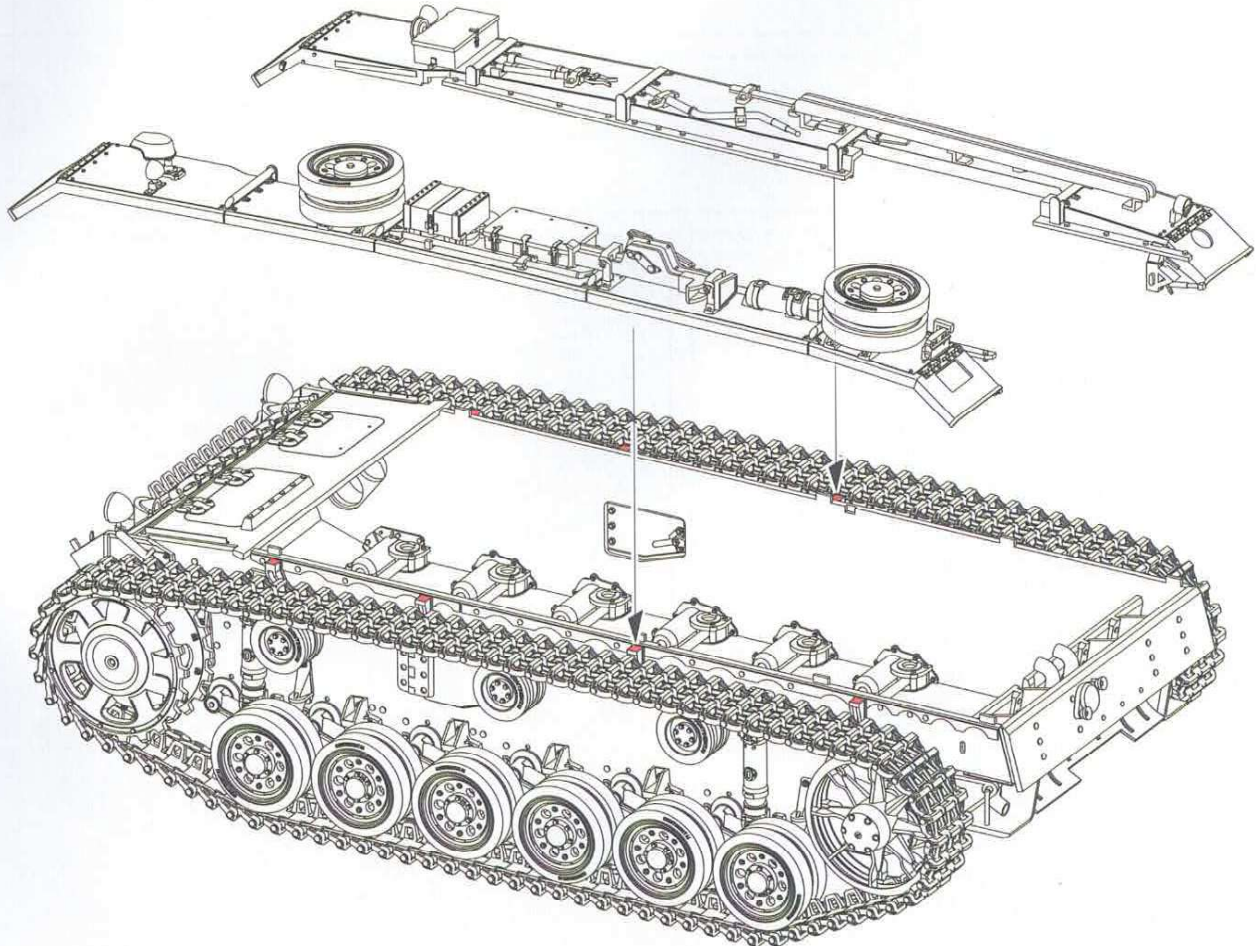
15



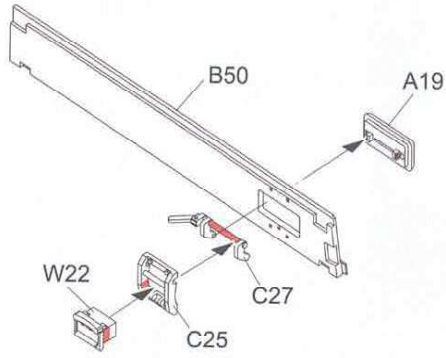
16



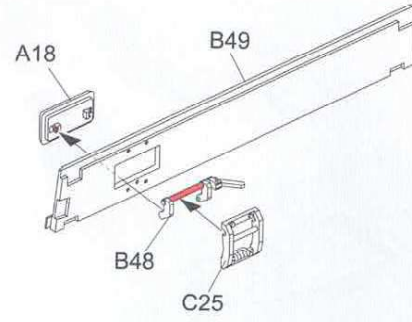
17



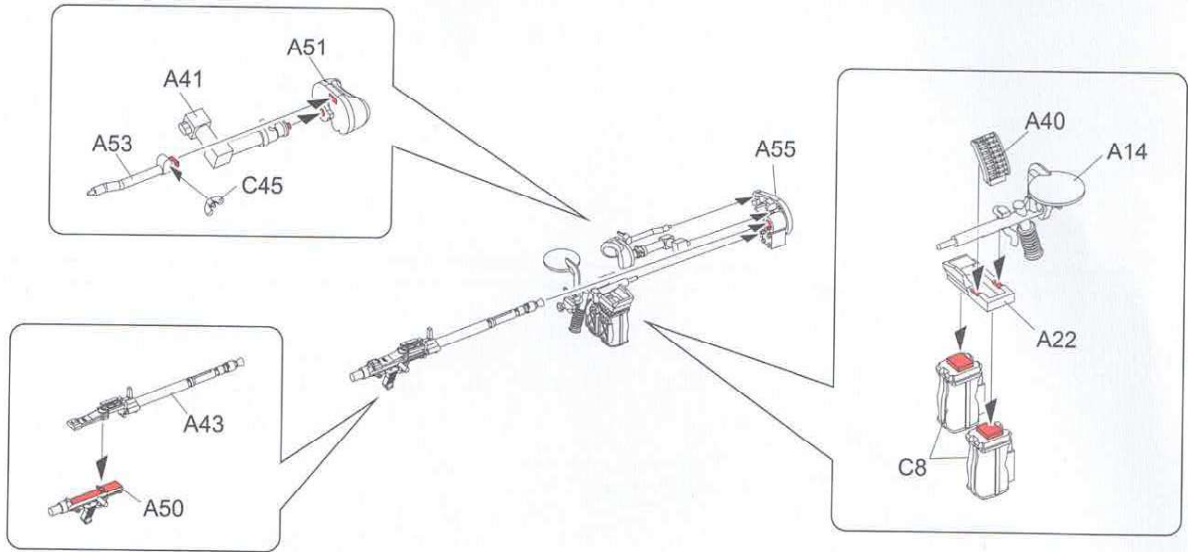
A7



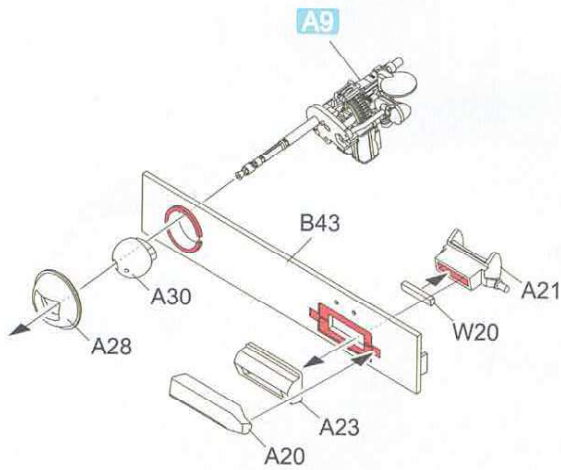
A8



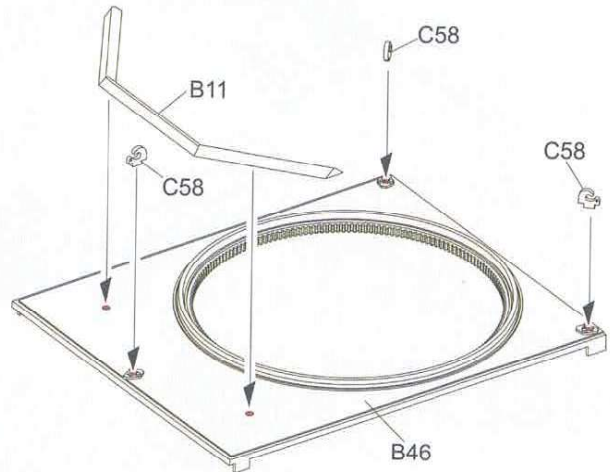
A9



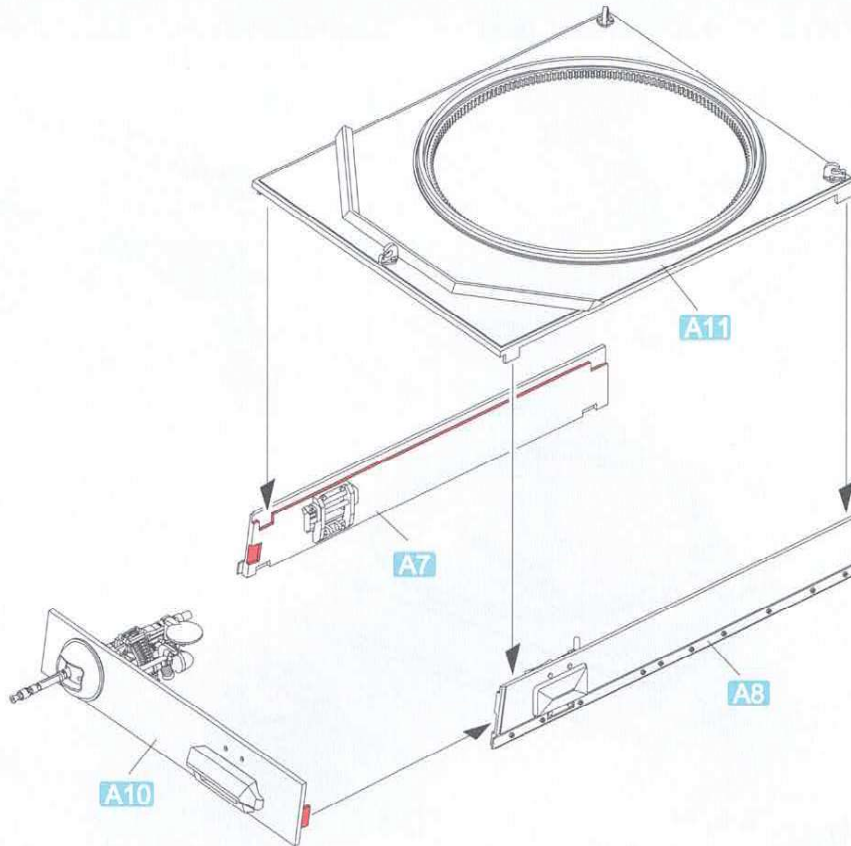
A10



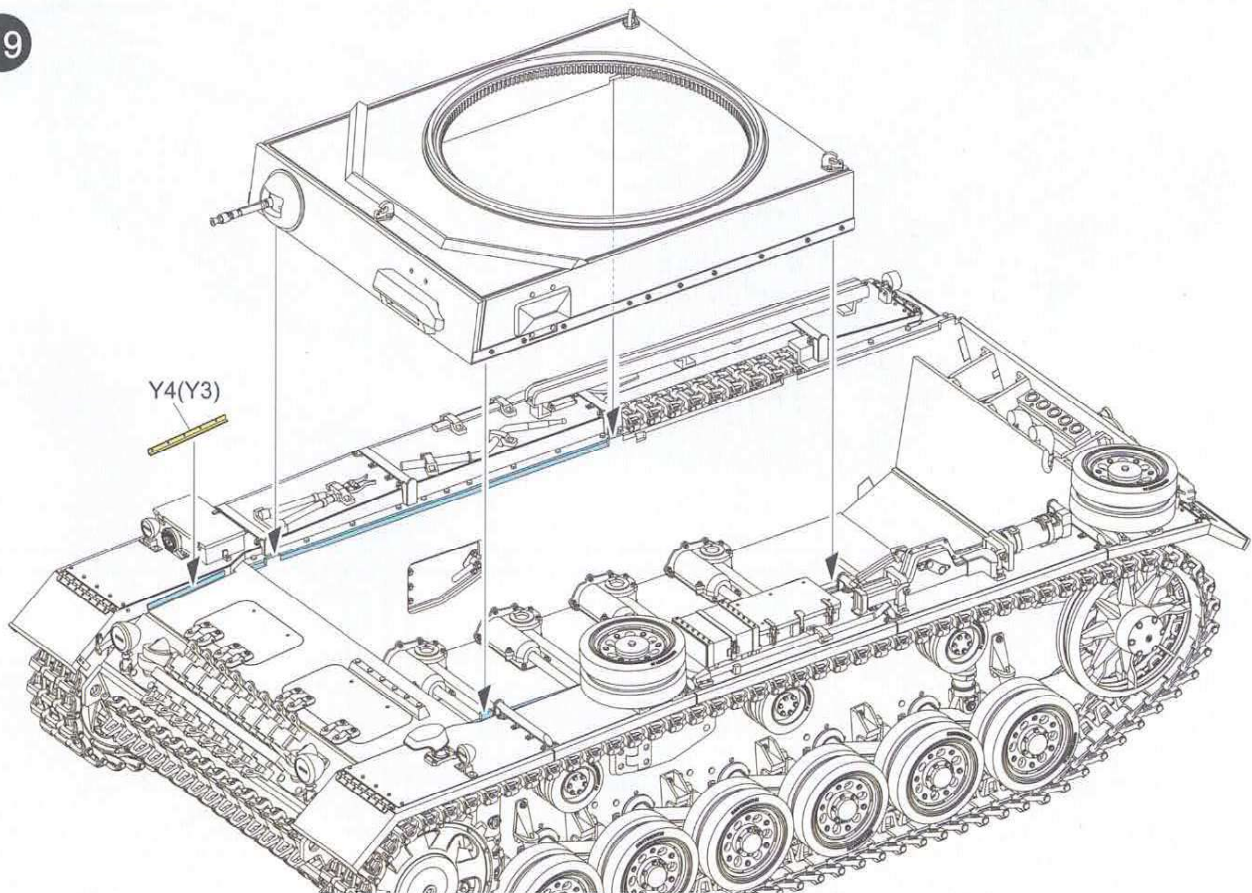
A11



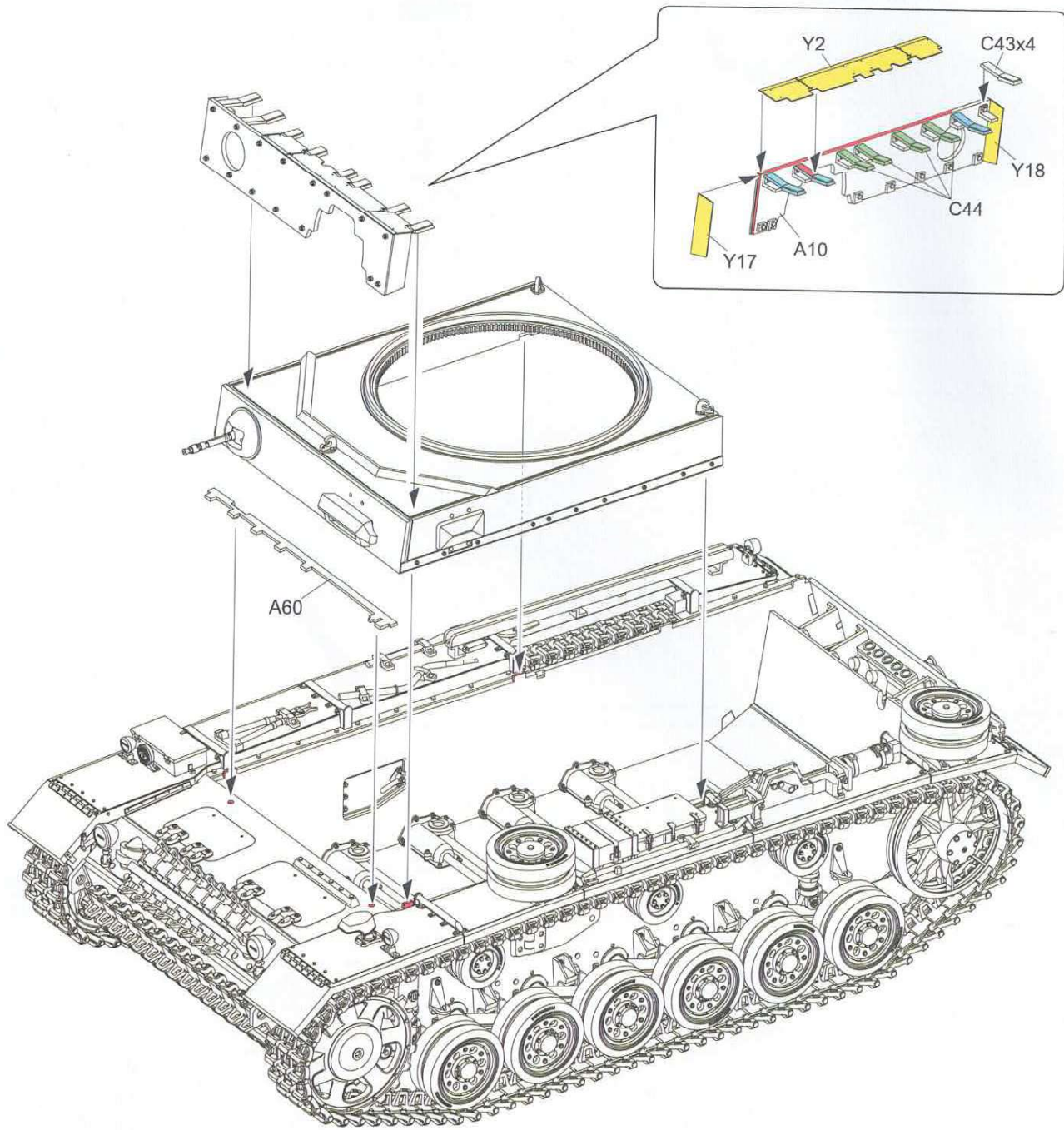
18



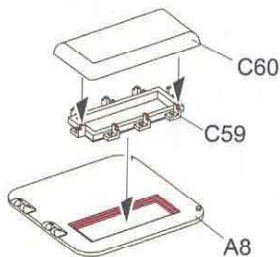
19



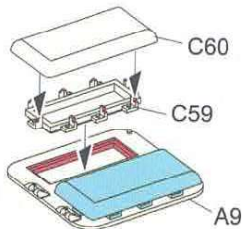
Assemble Step for Additional armor plates. 附加装甲的装配步骤



A12

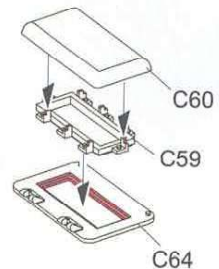


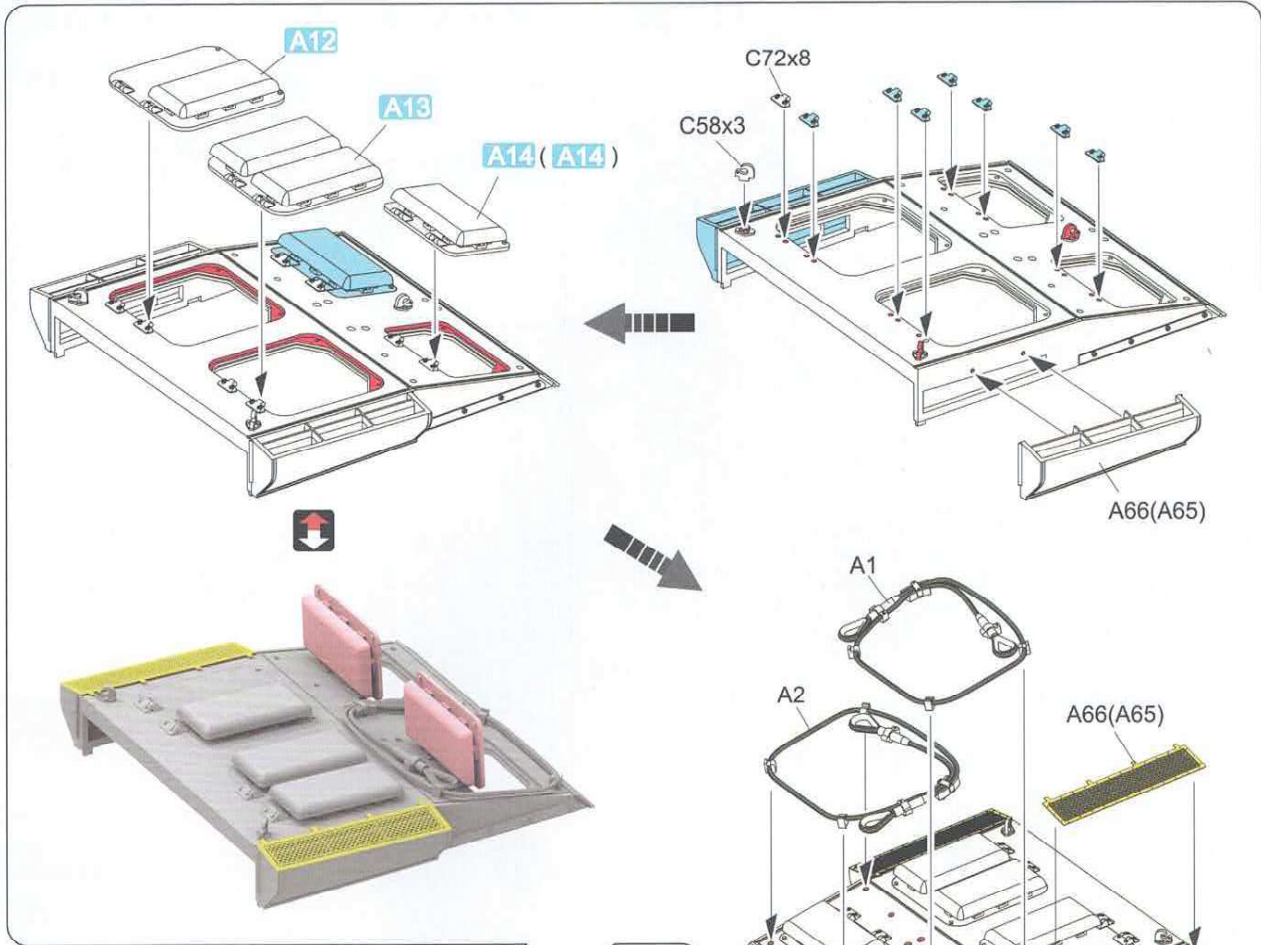
A13



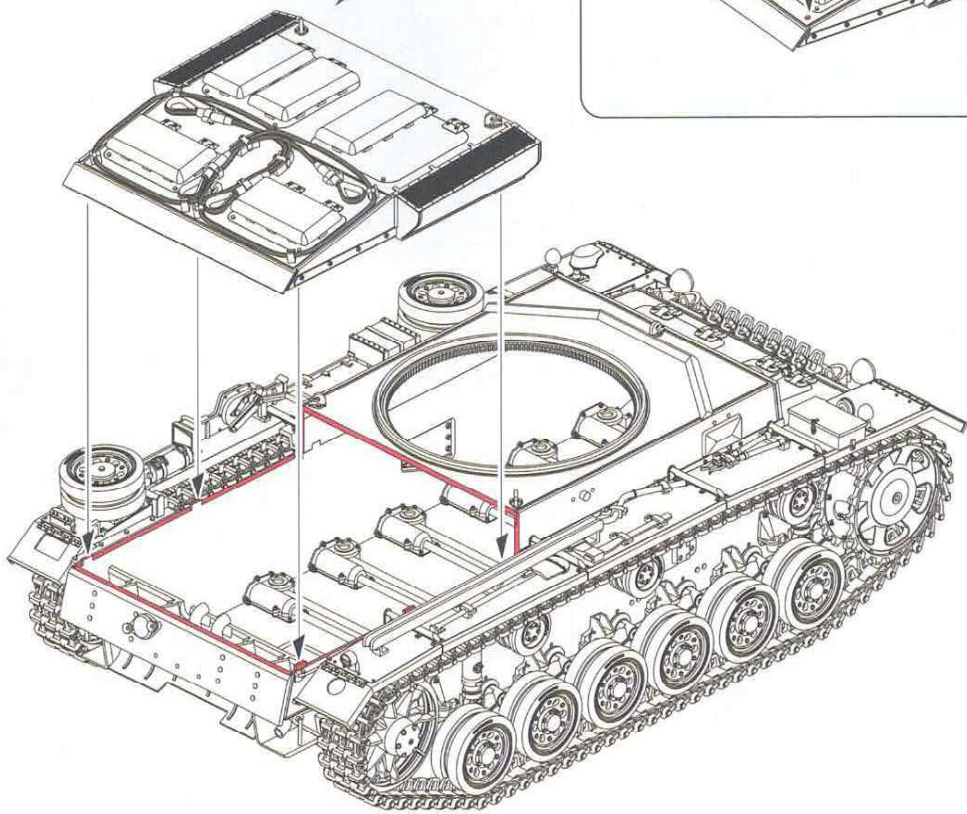
A14

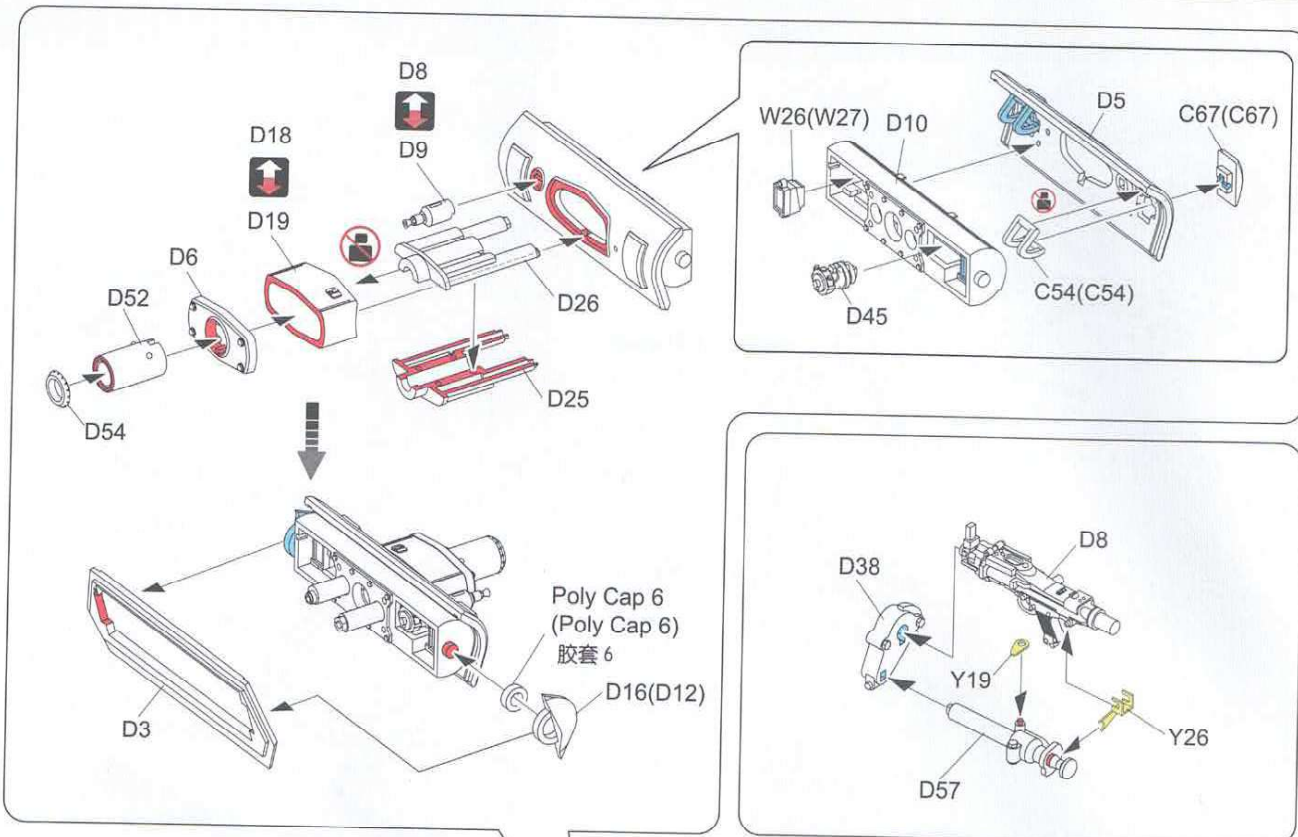
MAKE 2
制作2组



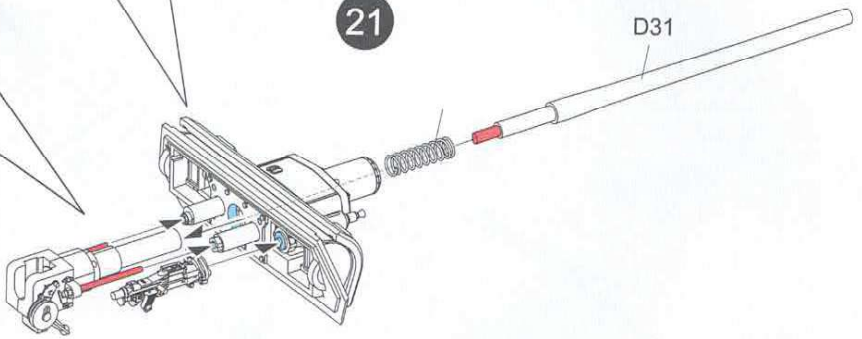
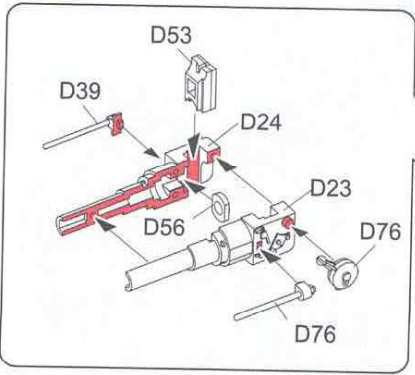


20

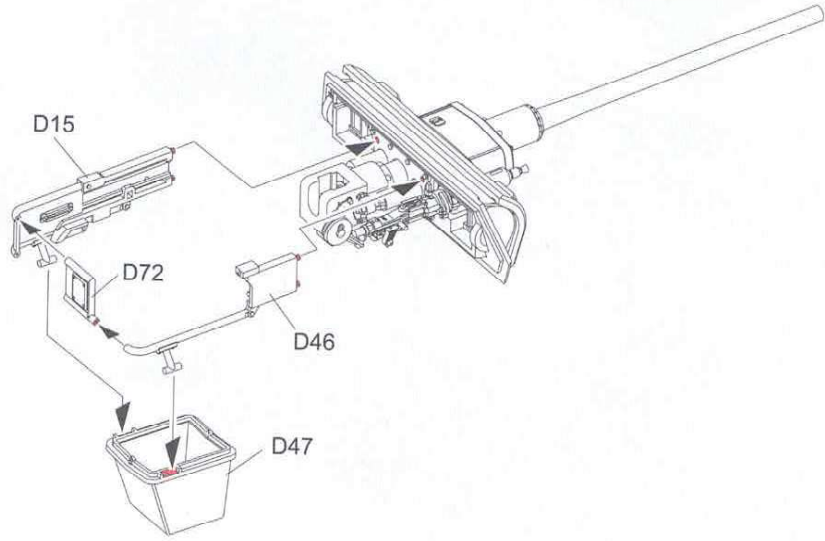




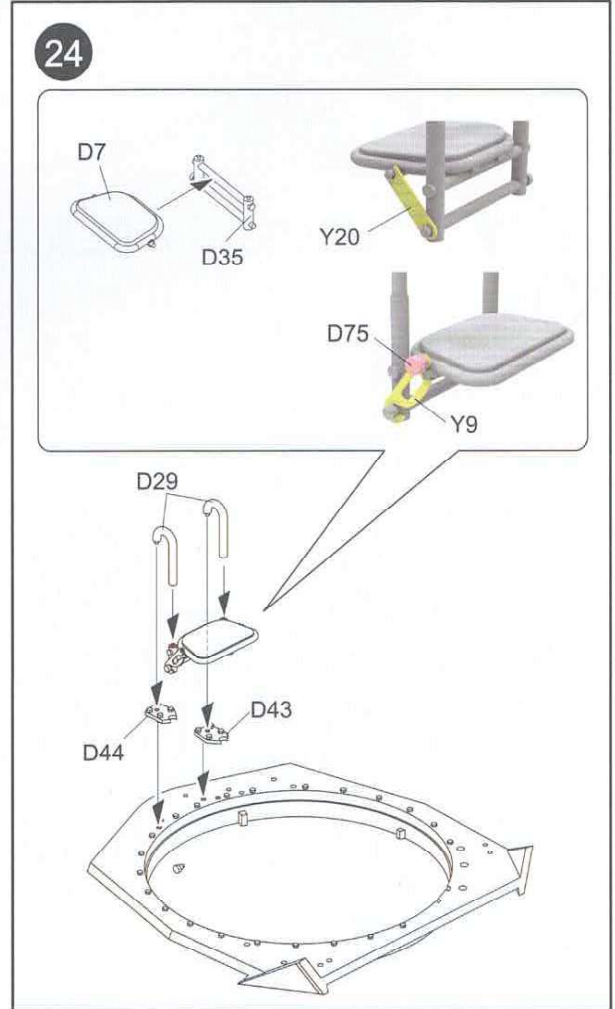
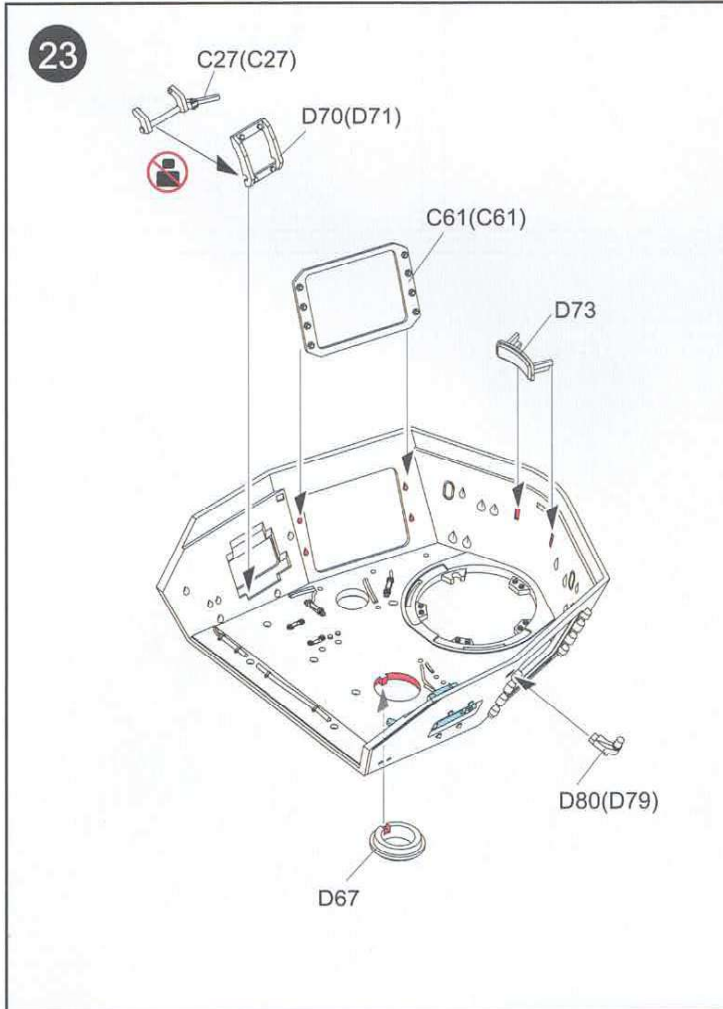
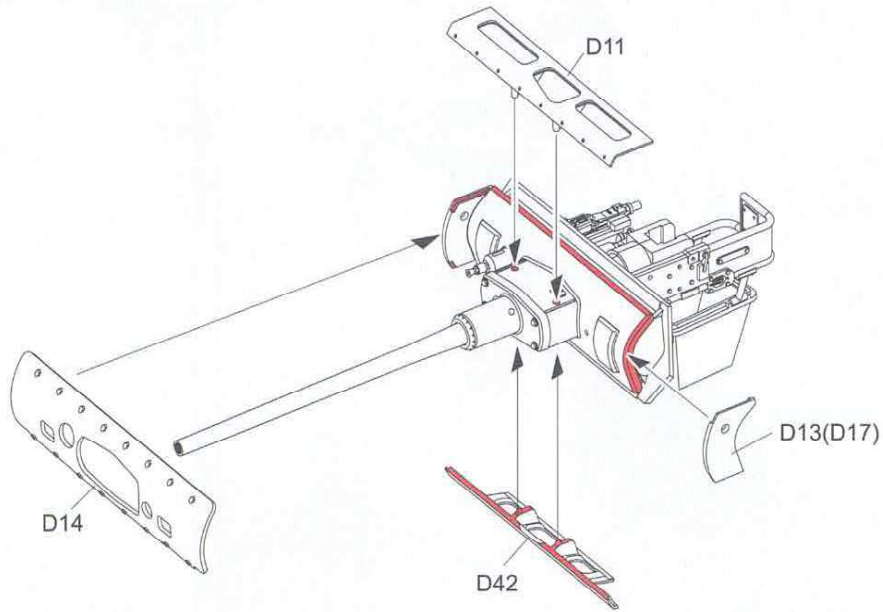
21



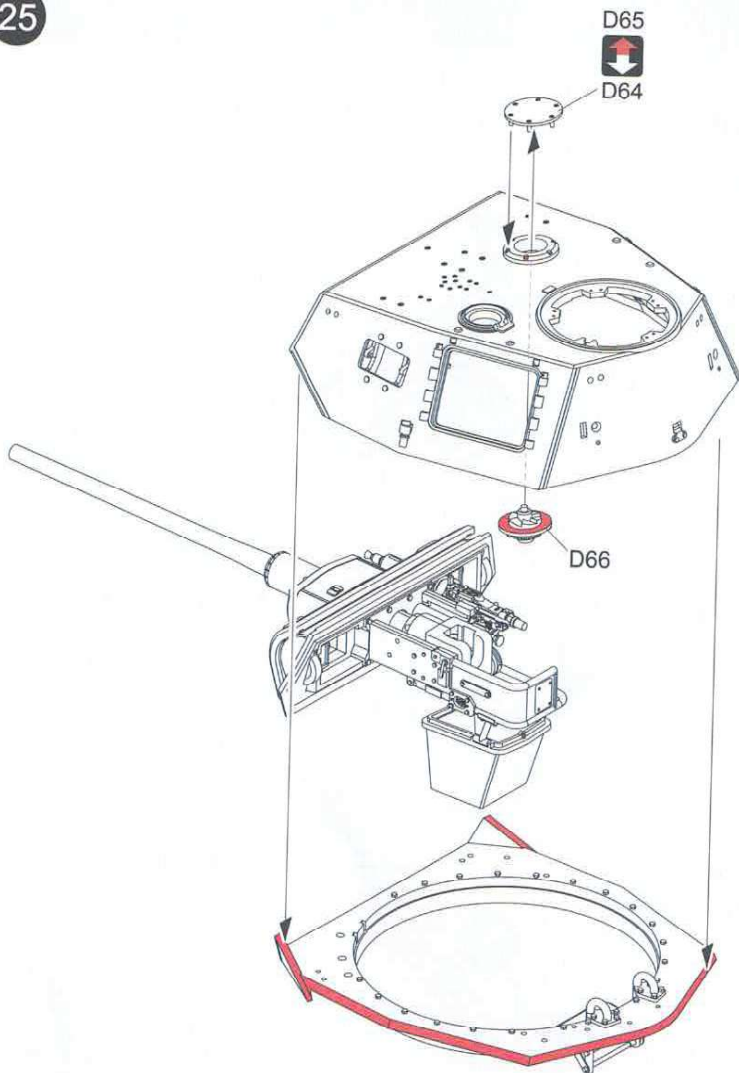
22



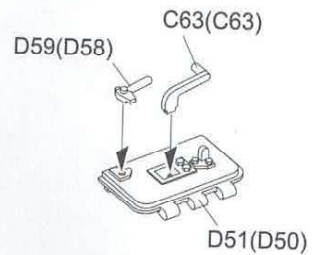
Assemble Step for Additional armor plates. 附加装甲的装配步骤



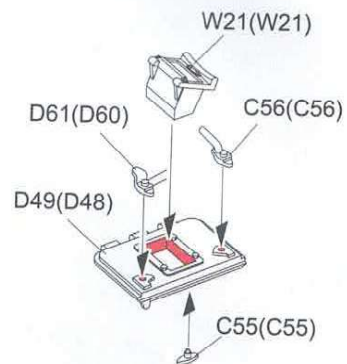
25



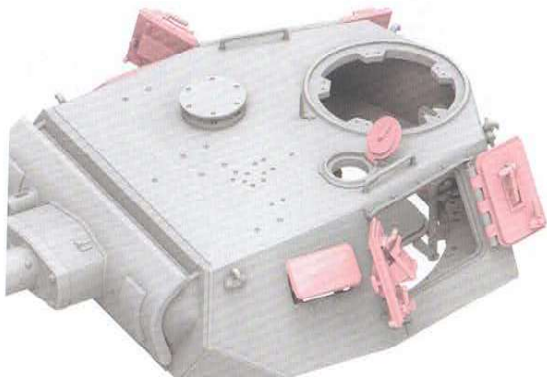
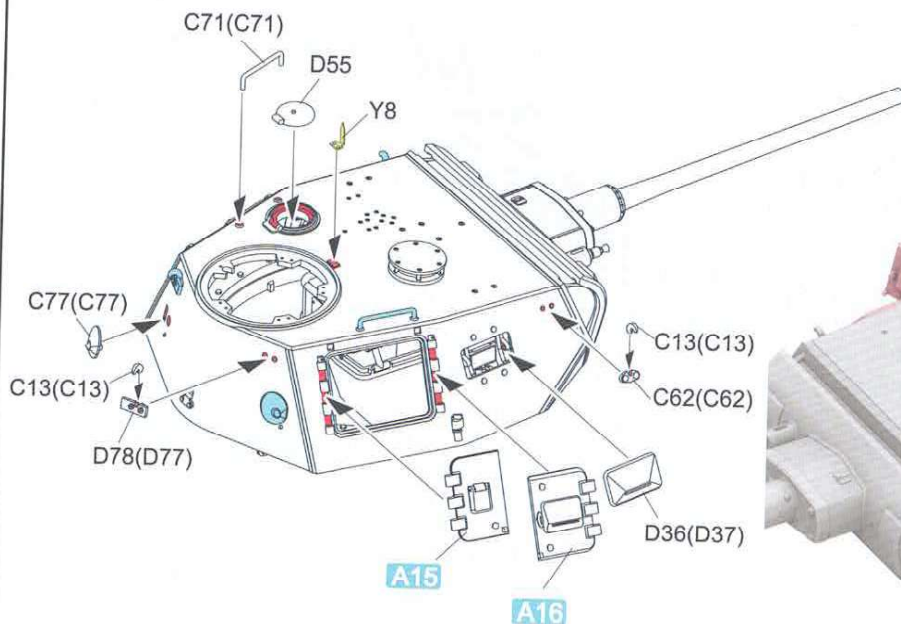
A15



A16

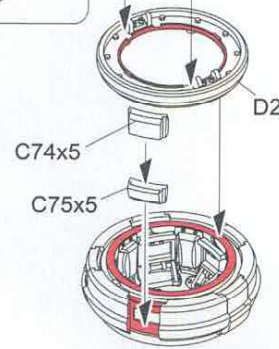
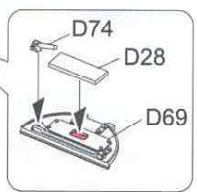
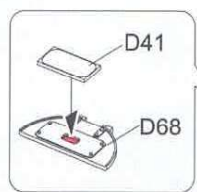
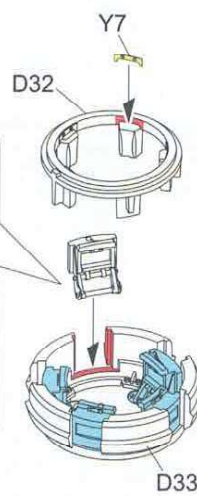
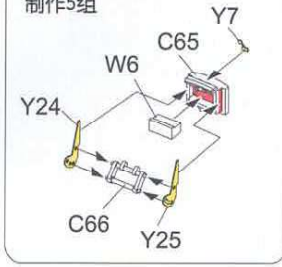


26

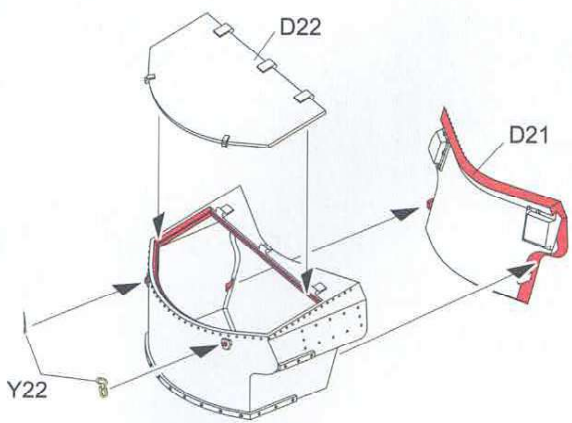


A17

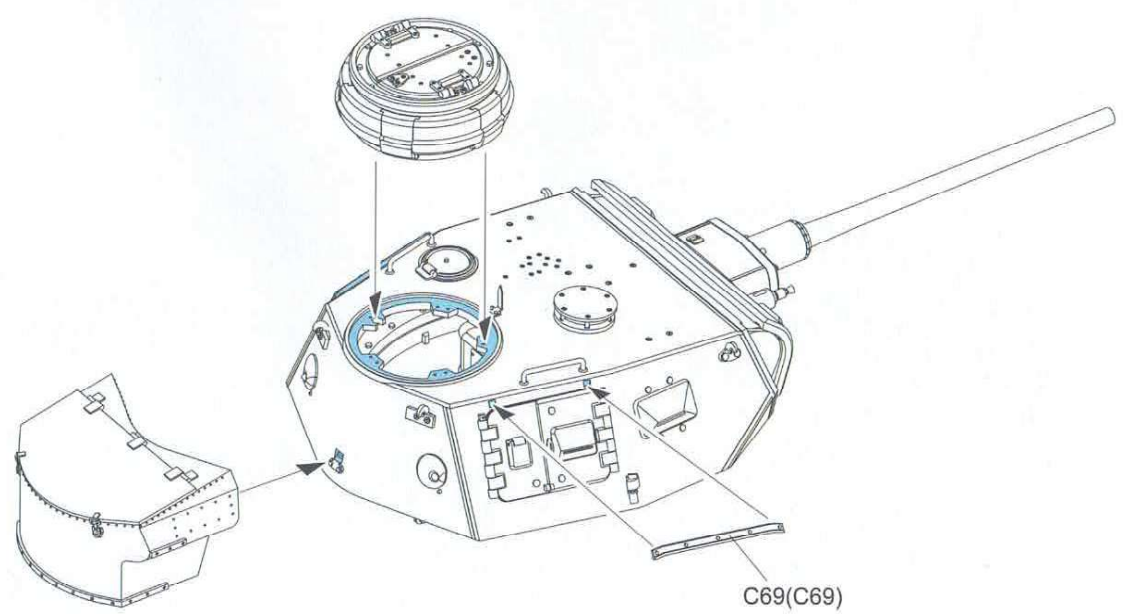
MAKE5
制作5组

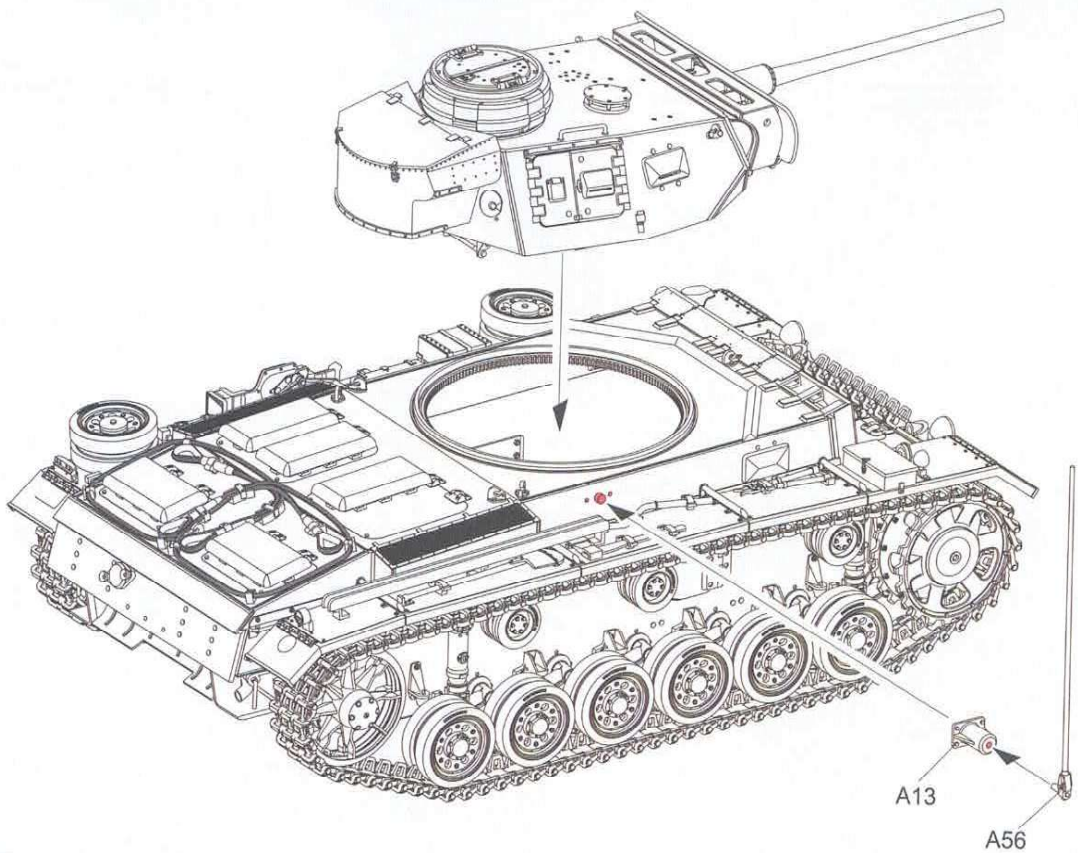
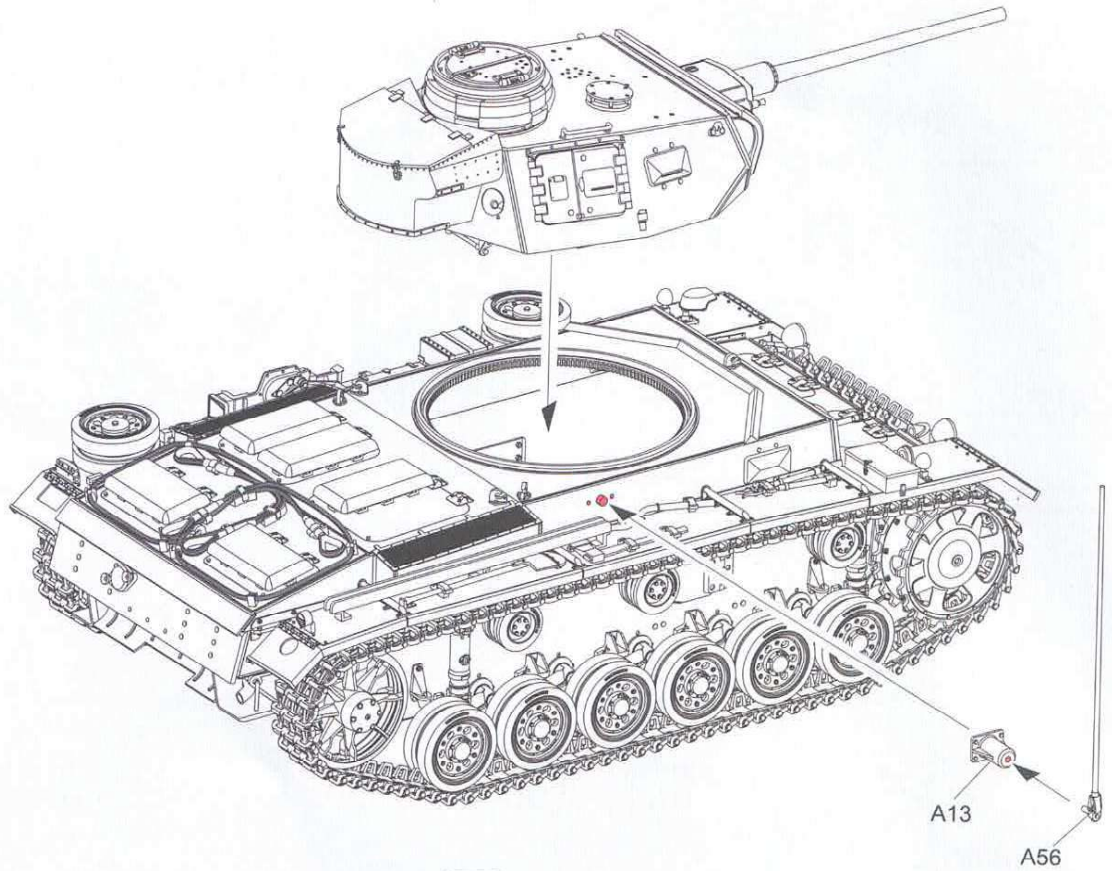


A18



27





*Gratzeil
was her!*



PANZER III Ausf. J

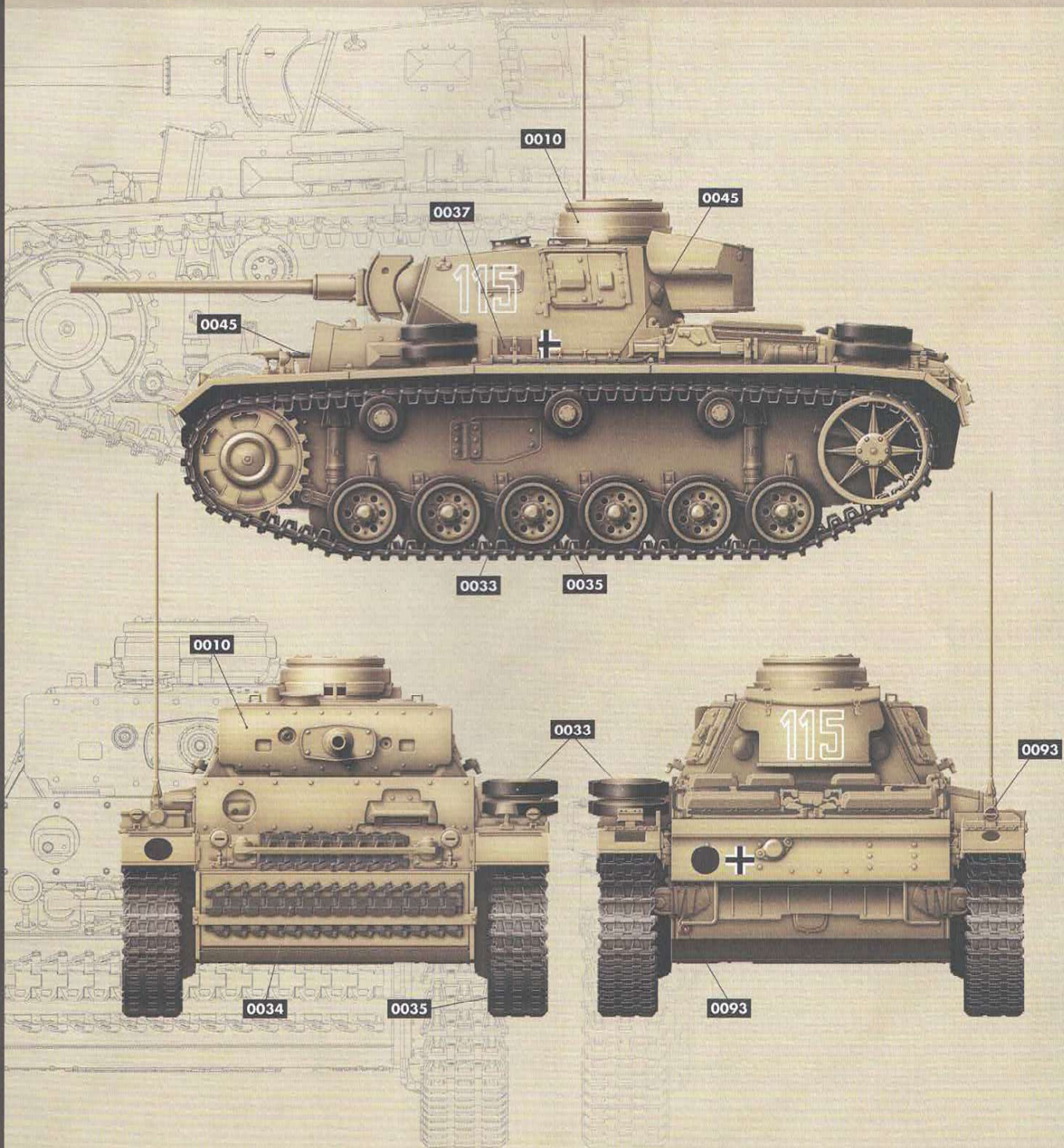
Painting and Marking Guide

www.migjimenez.com



by MIG Jimenez

- A.MIG-0035** Dark Tracks
- A.MIG-0034** Rust Tracks
- A.MIG-0033** Rubber & Tires
- A.MIG-0045** Gun Metal
- A.MIG-0037** New Wood
- A.MIG-0093** Crystal Red
- A.MIG-0010** RAL 7028
Dunkelgelb (Mid War)



WEATHERING STEPS WITH AMMO PRODUCTS

1 GENERAL WASH A.MIG-1000 Brown Wash for Dark Yellow	3 STREAKING A.MIG-1203 Streaking Grime	5 RUST A.MIG-1204 Streaking Rust Effects	7 MUD A.MIG-1702 Turned Earth	9 FUEL A.MIG-1409 Fuel Stains
2 FILTER A.MIG-1511 Brown for Dark Yellow	4 TRACKS WASH A.MIG-1002 Tracks Wash	6 DUST A.MIG-3030 Factory Dirt Ground	8 SPLASHES A.MIG-1751 Dry Steppe	10 OIL A.MIG-1408 Fresh Engine Oil










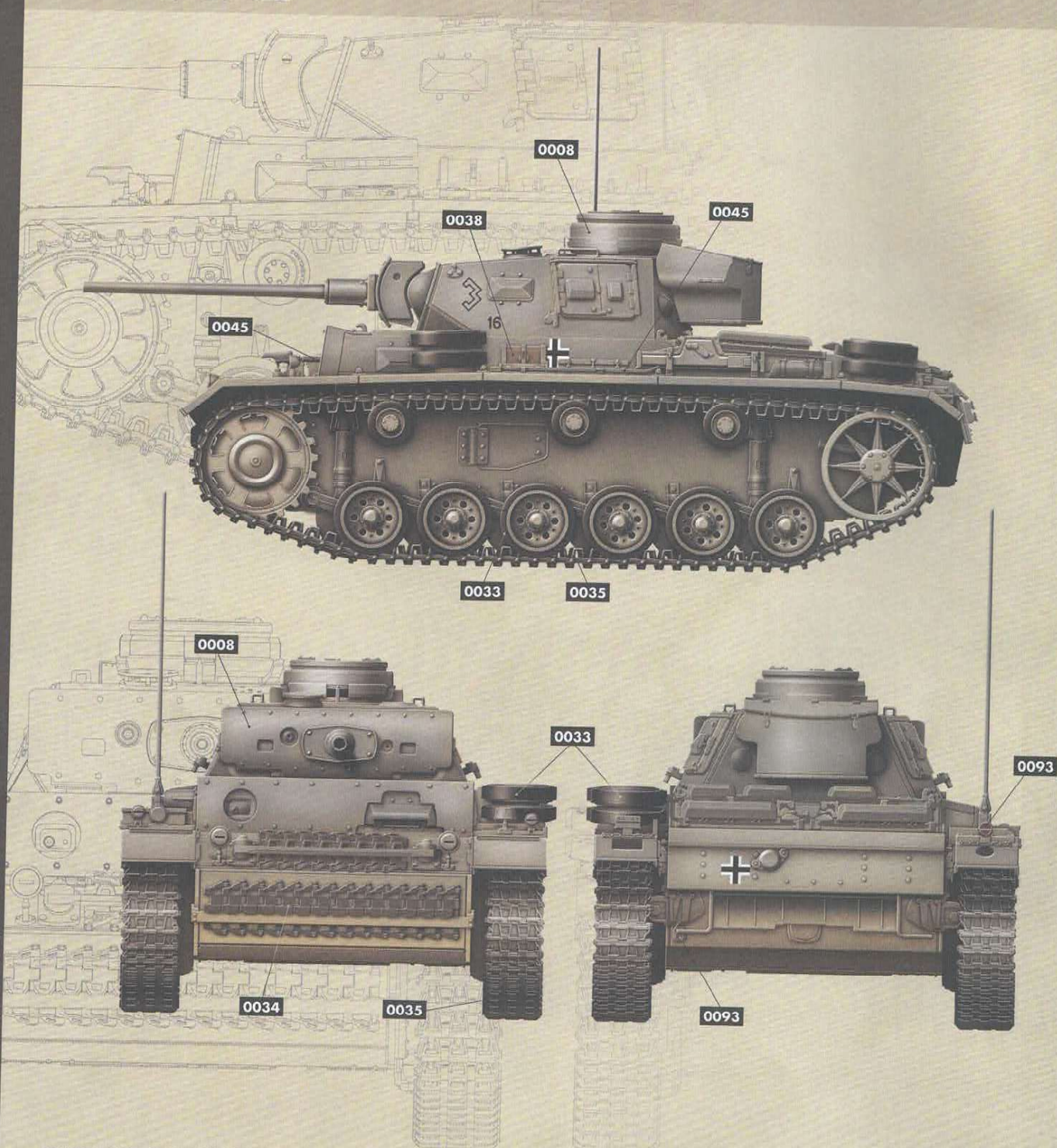
PANZER III Ausf. J

Painting and Marking Guide

www.migjimenez.com



-  A.MIG-0035 Dark Tracks
-  A.MIG-0034 Rust Tracks
-  A.MIG-0033 Rubber & Tires
-  A.MIG-0045 Gun Metal
-  A.MIG-0038 Light Wood
-  A.MIG-0093 Crystal Red
-  A.MIG-0008 Dunkelgrau



WEATHERING STEPS WITH AMMO PRODUCTS

1 GENERAL WASH A.MIG-1006 Blue Wash for Panzer Grey	3 STREAKING A.MIG-1202 Streaking Grime for Panzer Grey	5 TRACKS WASH A.MIG-1002 Tracks Wash	7 HEAVY MUD A.MIG-1704 Heavy Earth
2 FILTER A.MIG-1509 Blue for Dark Grey	4 RAINMARKS A.MIG-1258 Streakingbrusher Dust	6 DUST A.MIG-3013 Rubble	8 SPLASHES A.MIG-1753 Turned Dirt
			9 FUEL A.MIG-1409 Fuel Stains
			10 OIL A.MIG-1408 Fresh Engine Oil



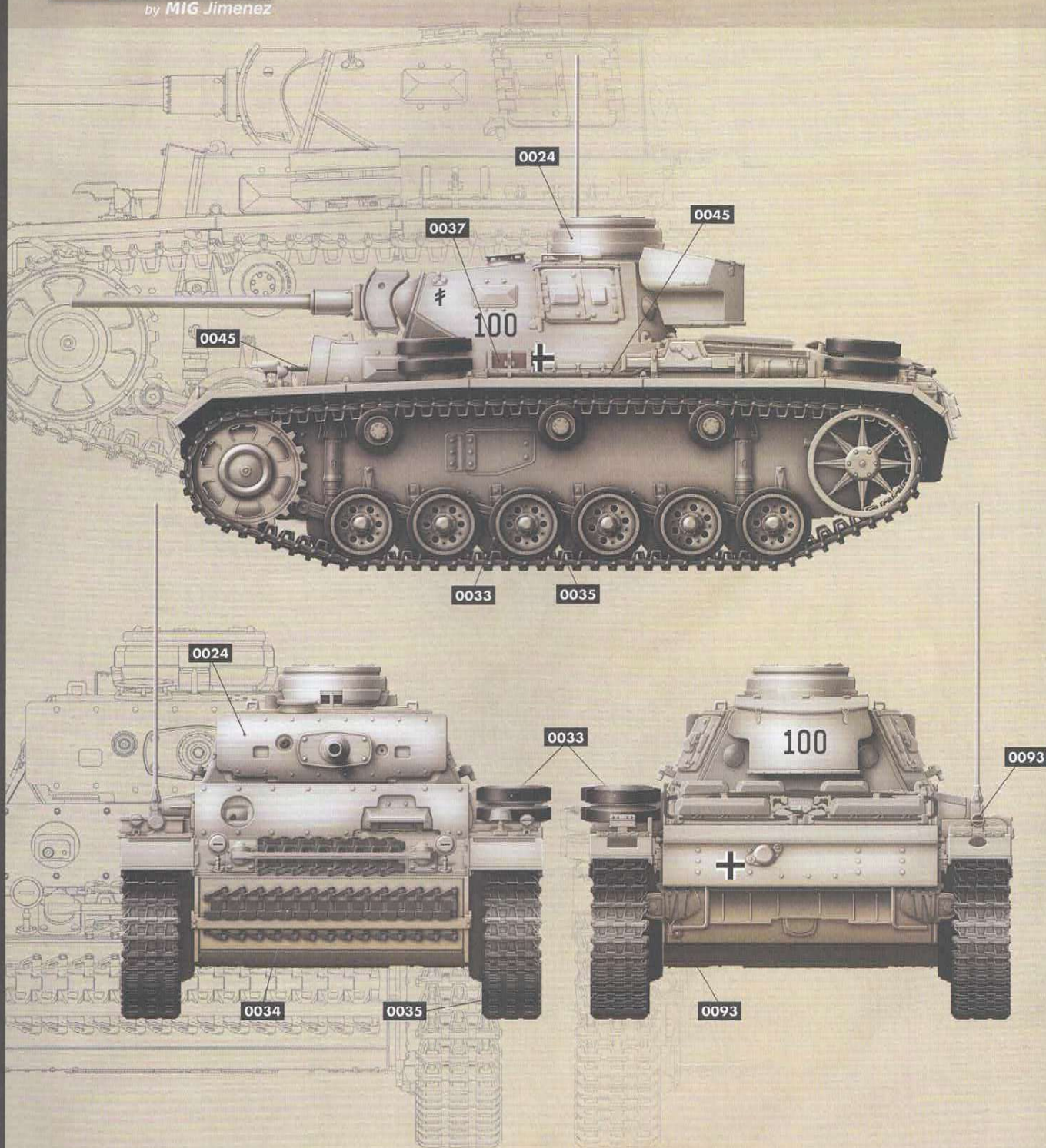
PANZER III Ausf. J

Painting and Marking Guide

www.migjimenez.com



- A.MIG-0035** Dark Tracks
- A.MIG-0034** Rust Tracks
- A.MIG-0033** Rubber & Tires
- A.MIG-0045** Gun Metal
- A.MIG-0037** New Wood
- A.MIG-0083** Crystal Red
- A.MIG-0024** Washable White Camo



WEATHERING STEPS WITH AMMO PRODUCTS

1 GENERAL WASH A.MIG-1010 Neutral Wash	3 STREAKING A.MIG-1255 Streakingbrusher Winter Grime	5 RUST A.MIG-1204 Streaking Rust Effects	7 MUD A.MIG-1705 Wet Mud
2 FILTER A.MIG-1501 Grey for White	4 TRACKS WASH A.MIG-1002 Tracks Wash	6 DUST A.MIG-3029 Winter Soil	8 SPLASHES A.MIG-1754 Damp Earth
			9 FUEL A.MIG-1409 Fuel Stains
			10 OIL A.MIG-1408 Fresh Engine Oil



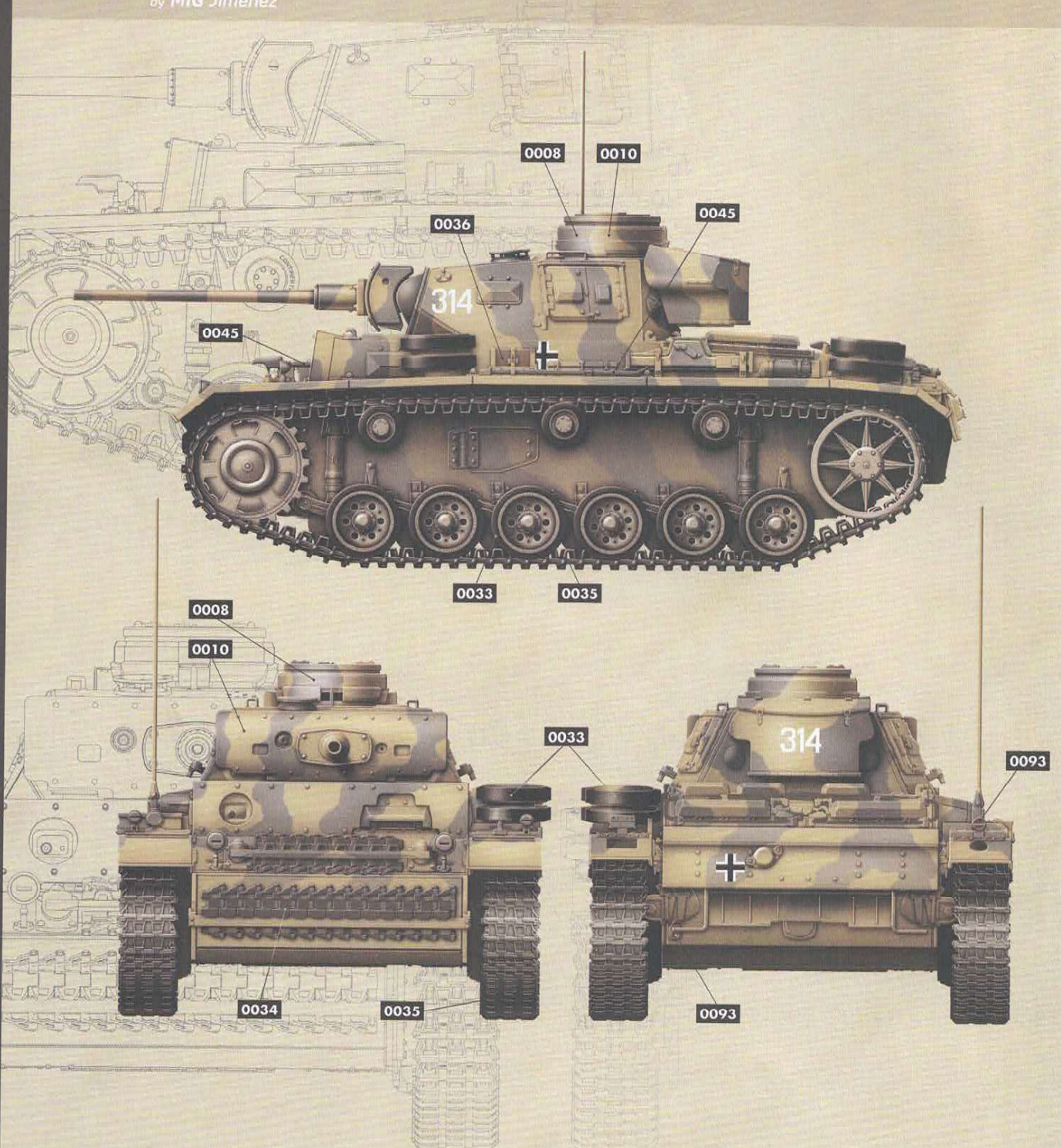
PANZER III Ausf. J

Painting and Marking Guide

www.migjimenez.com



-  A.MIG-0035 Dark Tracks
-  A.MIG-0034 Rust Tracks
-  A.MIG-0033 Rubber & Tires
-  A.MIG-0045 Gun Metal
-  A.MIG-0036 Old Wood
-  A.MIG-0093 Crystal Red
-  A.MIG-0010 RAL 7028 Dunkelgrau (Mid War)
-  A.MIG-0008 Dunkelgrau



WEATHERING STEPS WITH AMMO PRODUCTS

1 GENERAL WASH A.MIG-1000 Brown Wash for German Dark Yellow	3 STREAKING A.MIG-1203 Streaking Grime	5 TRACKS WASH A.MIG-1002 Tracks Wash	7 HEAVY MUD A.MIG-1704 Heavy Earth
2 FILTER A.MIG-1510 Tan for 3 Tone Camo	4 RAINMARKS A.MIG-1258 Streakingbrusher Dust	6 DUST A.MIG-3004 Europe Earth	9 FUEL A.MIG-1409 Fuel Stains
		8 SPLASHES A.MIG-1753 Turned Dirt	10 OIL A.MIG-1408 Fresh Engine Oil