



1/35 scale

M109A7 PALADIN Self-Propelled Howitzer

M109A7 “帕拉丁” 自行榴弹炮

READ BEFORE ASSEMBLY 组装前请仔细阅读

1. Study and understand these instructions thoroughly before beginning assembly
组装前请仔细阅读以下内容
2. When needed, remove photo-etch parts carefully using a modeling knife or photo etch sprue cutter, be careful not to damage or lose small parts
请使用专业模型工具仔细去除蚀刻片或胶件上需要剪下的部分，小心不要损坏或丢失
3. Take extra care in handling photo etch parts in order to avoid injury
在处理蚀刻片的部分时请格外小心，以避免伤害
4. Apply instant cement sparingly to photo etch parts were instructed
用强力快干胶水粘合蚀刻片零件和金属轴，过量使用快干胶水可能导致可动零件粘住，小心涂胶
5. Tools recommended(not included in kit): Plastic and instant cements, sprue cutters, long nose pliers, modeling knife, small files, tweezers, pin vise & scissors. Soft cloth and sandpaper will also assist in construction
推荐模型工具(自备): 胶水、水口剪刀、长咀钳、刀片、锉刀、镊子、钳、钻、剪刀、瞬间快干胶
软布与砂纸同时也应该是必备工具，请使用塑料胶水和油漆(模型内不含)
6. Glue and paint are not included in the kit. Use plastic cement and hobby paints only. Color guide for purchasing paint is included in the kit.

ICON INSTRUCTION 图标说明

	Optional 选择		Bending 折弯		Do not stick 不涂胶水		Decal 水贴纸		Remove 切除		Drilling 钻孔		Fill 填补		Weight 配重
--	----------------	--	---------------	--	----------------------	--	--------------	--	--------------	--	----------------	--	------------	--	--------------

READ BEFORE ASSEMBLY

在組合您的模型之前，請充分閱讀本冊說明書。組合模型您需要如下物品（需另購）：模型膠水；一把模型鉗或一把用於將零件從框架上切下的模型筆刀。筆刀同樣可以用來修整零件的合模綫。祝您制作愉快！

Before assembling your model kit, read through these instructions carefully. To assemble this kit, you will need Plastic glue (not included). A pair of side cutter or a sharp modelling knife is required for removing parts from the frame. Plastic mold lines can be removed with the modelling knife.



請注意
Special instructions



隨愛好選擇
Optional



組合完成
Finished Assembly



彎曲
Bend



制作兩組
Make Two



鉗孔
Make Hole



塗色
Painting



無需膠粘
Do Not Cement

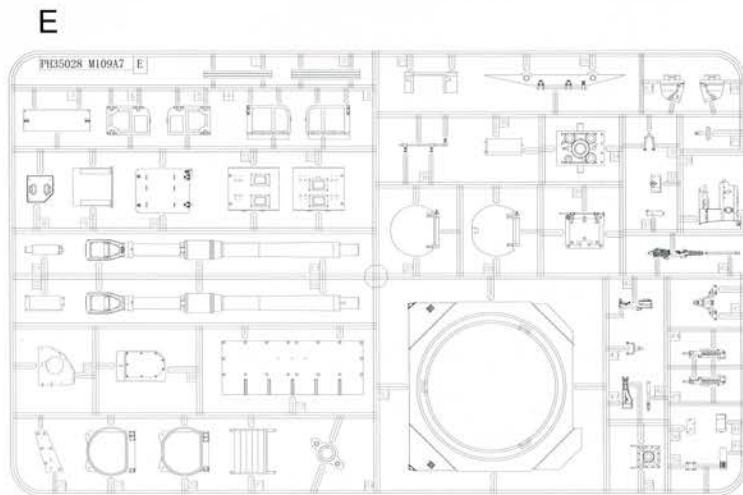
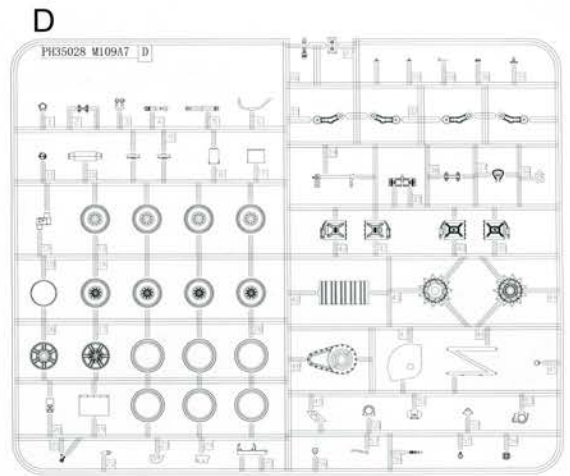
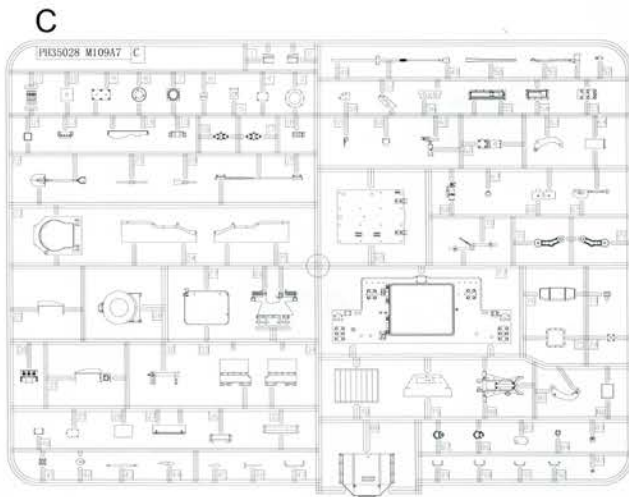


切除
Cut

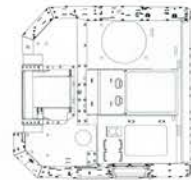


對側
Opposite

部品圖 Part



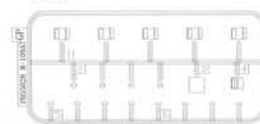
炮塔
TURRET



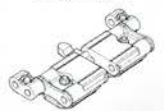
B2



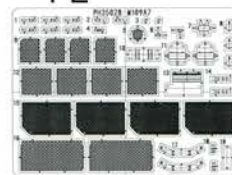
GP



Track 1



《蚀刻片》
PE



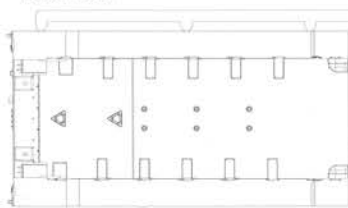
Track 2



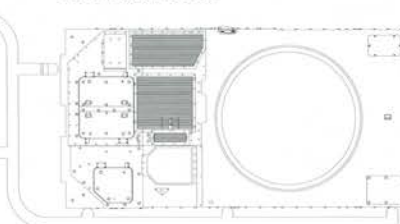
Track 3



车底
LOWER



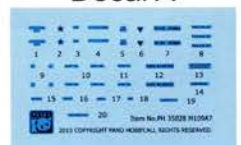
车面
UPPER HULL



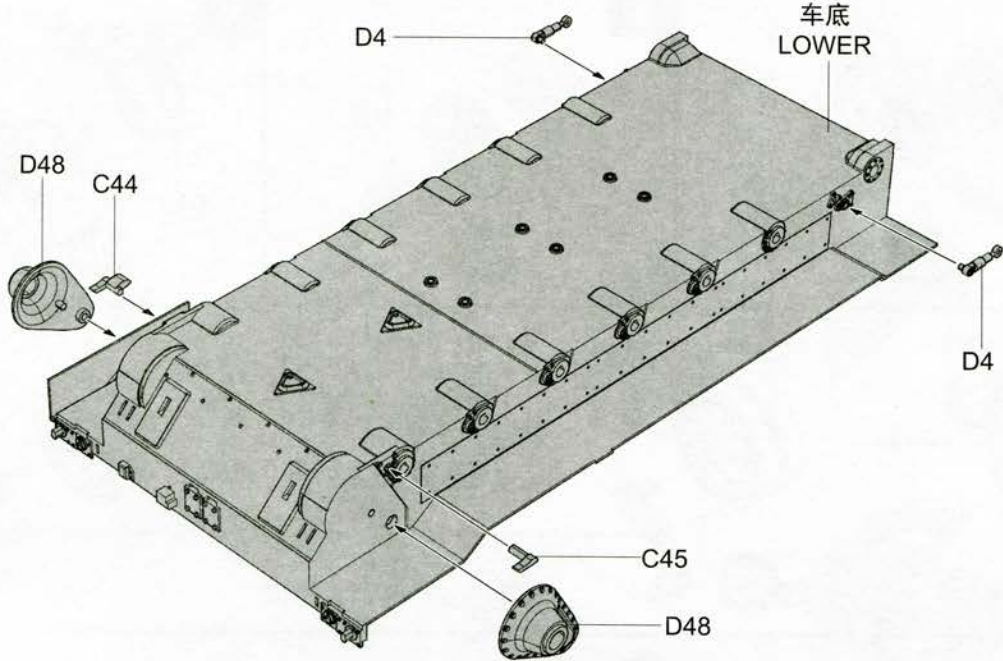
《蚀刻片B》
PE_B



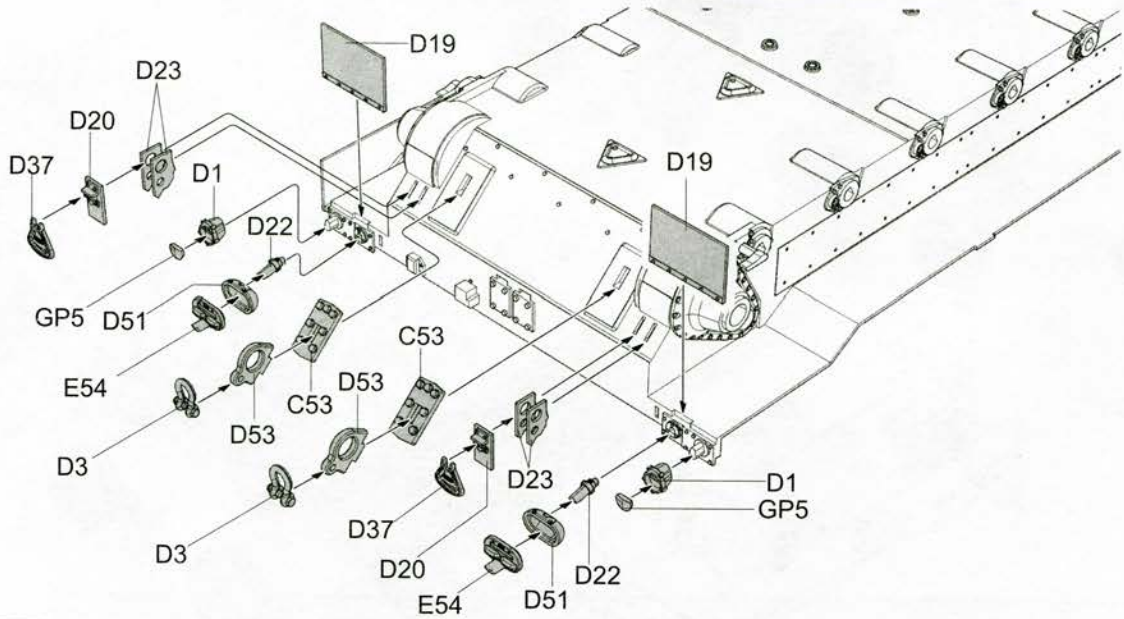
《水贴纸A》
Decal A



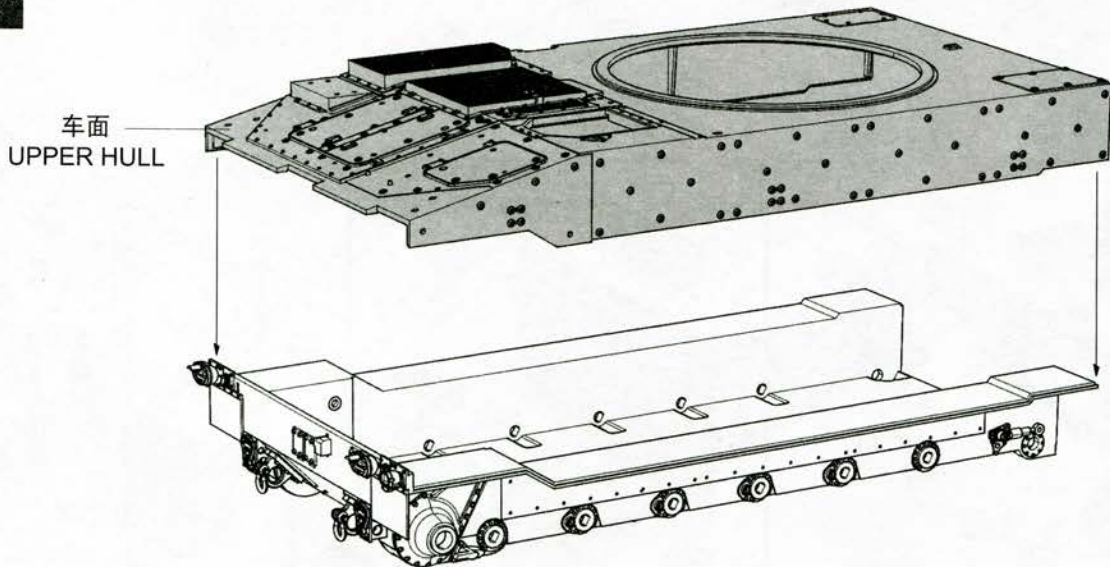
1

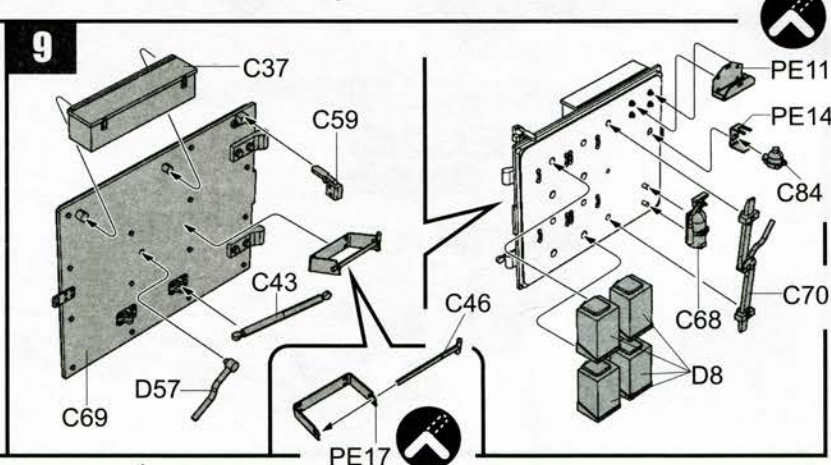
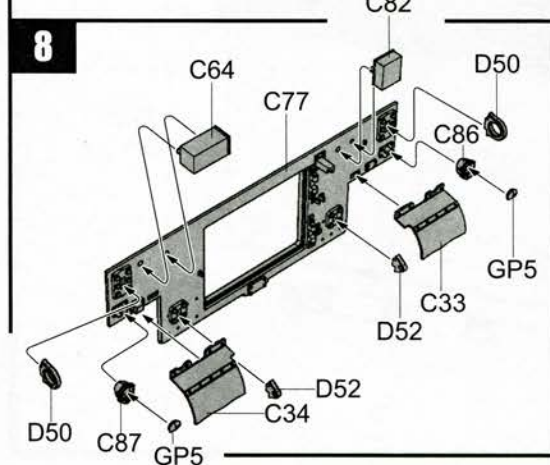
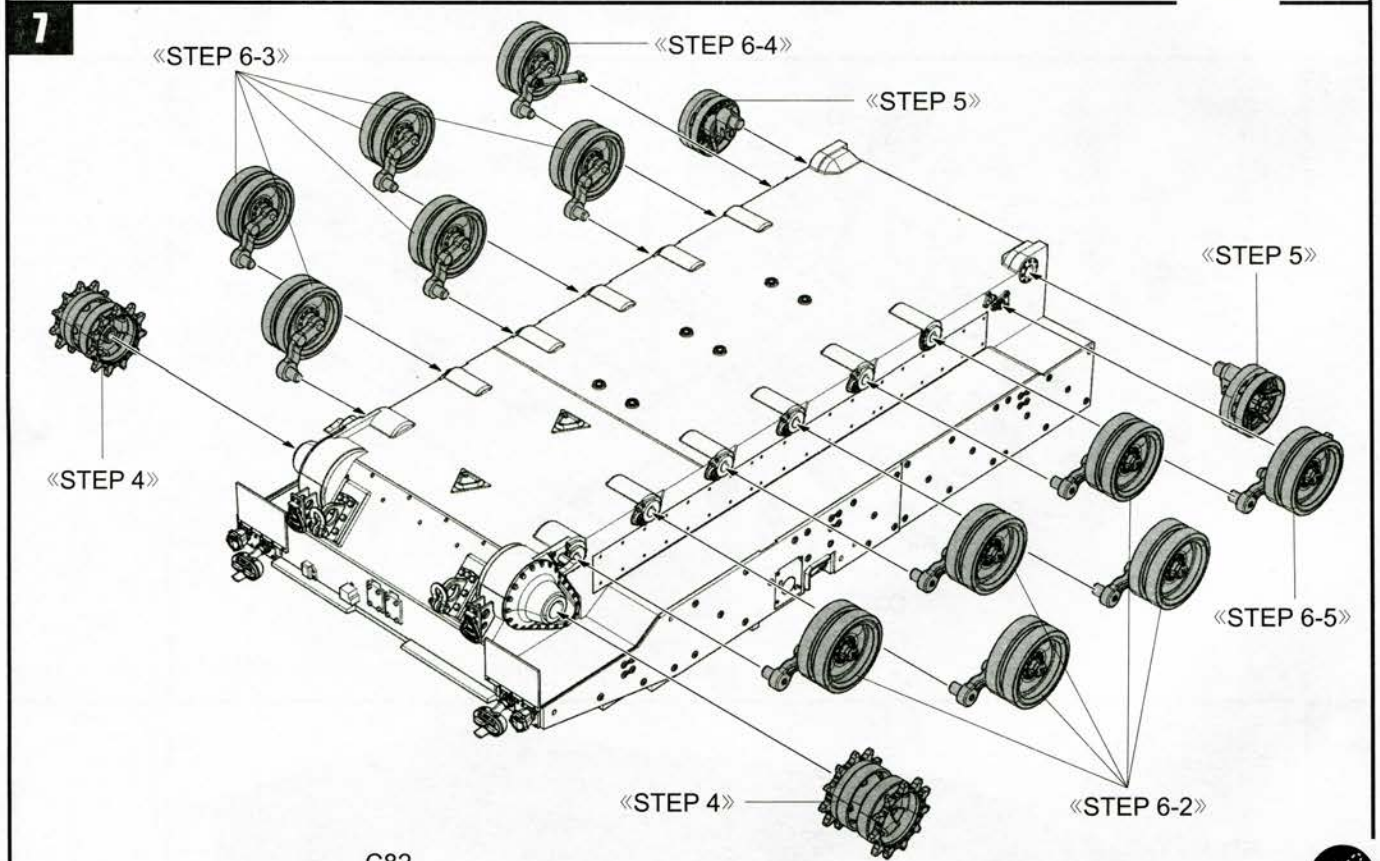
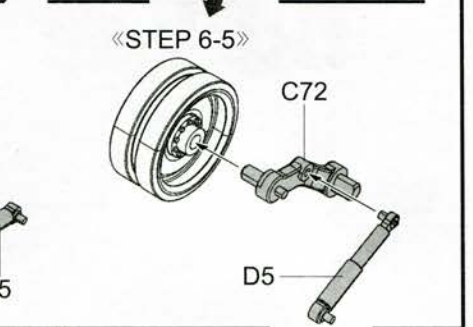
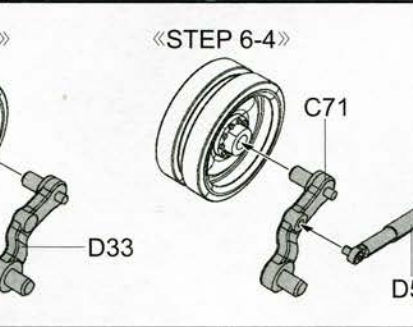
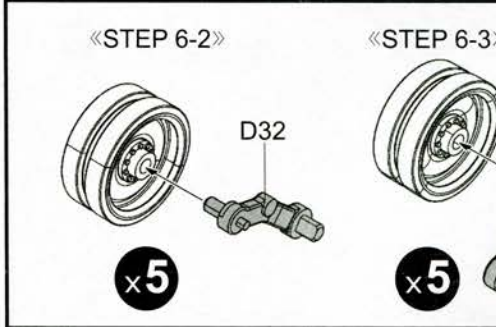
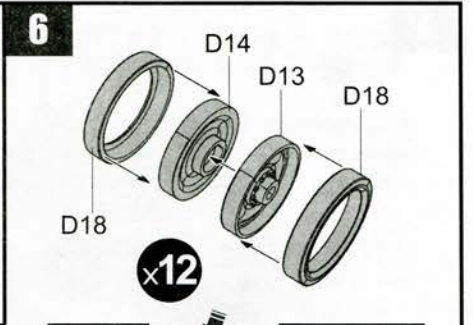
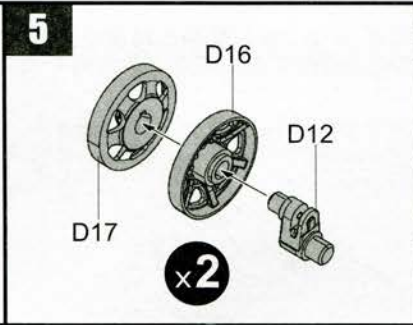
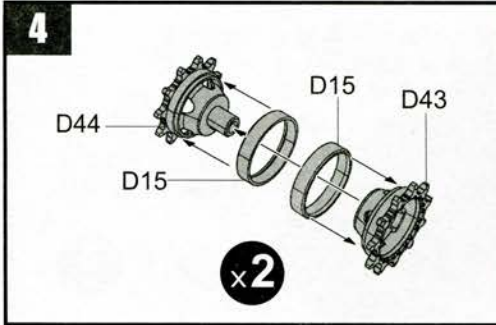


2

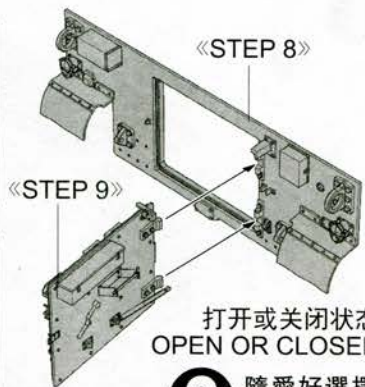
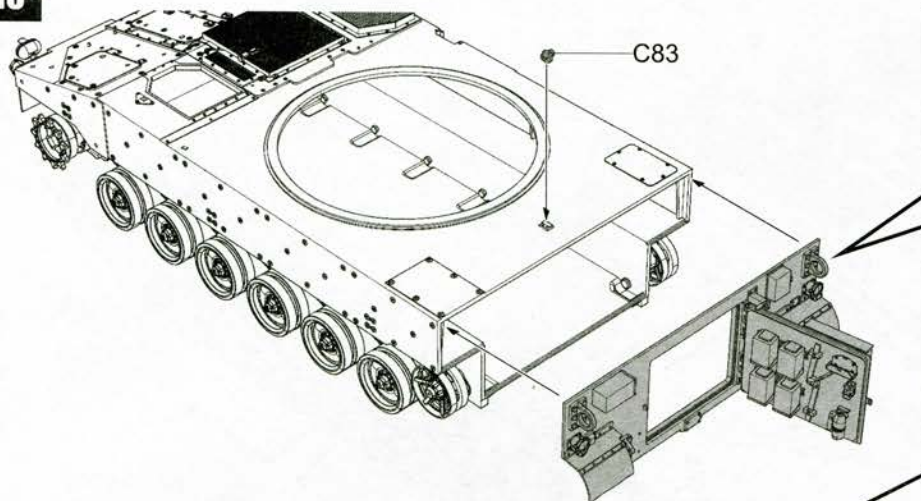


3





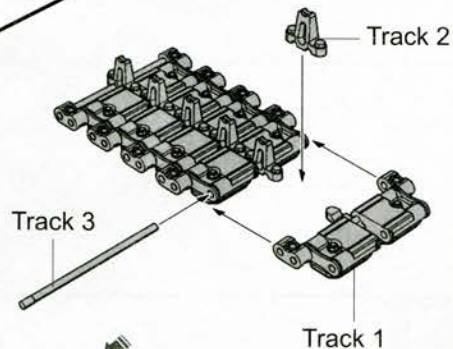
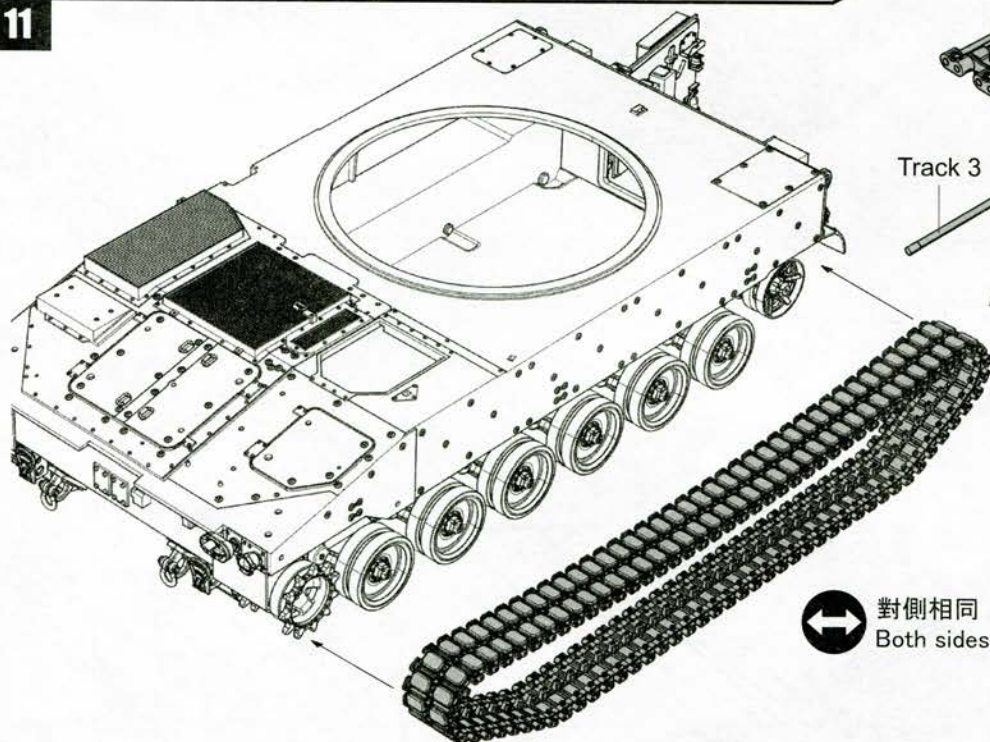
10



打开或关闭状态
OPEN OR CLOSED

? 随爱好选择
Optional

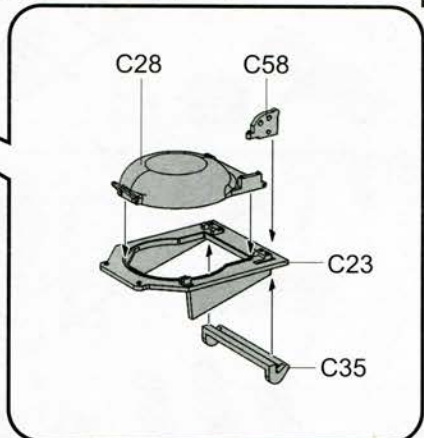
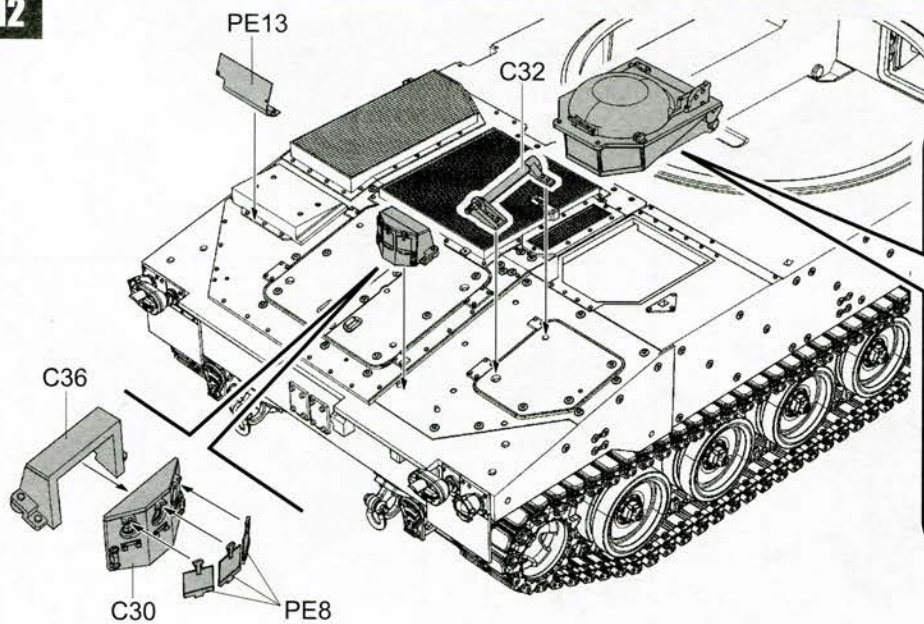
11



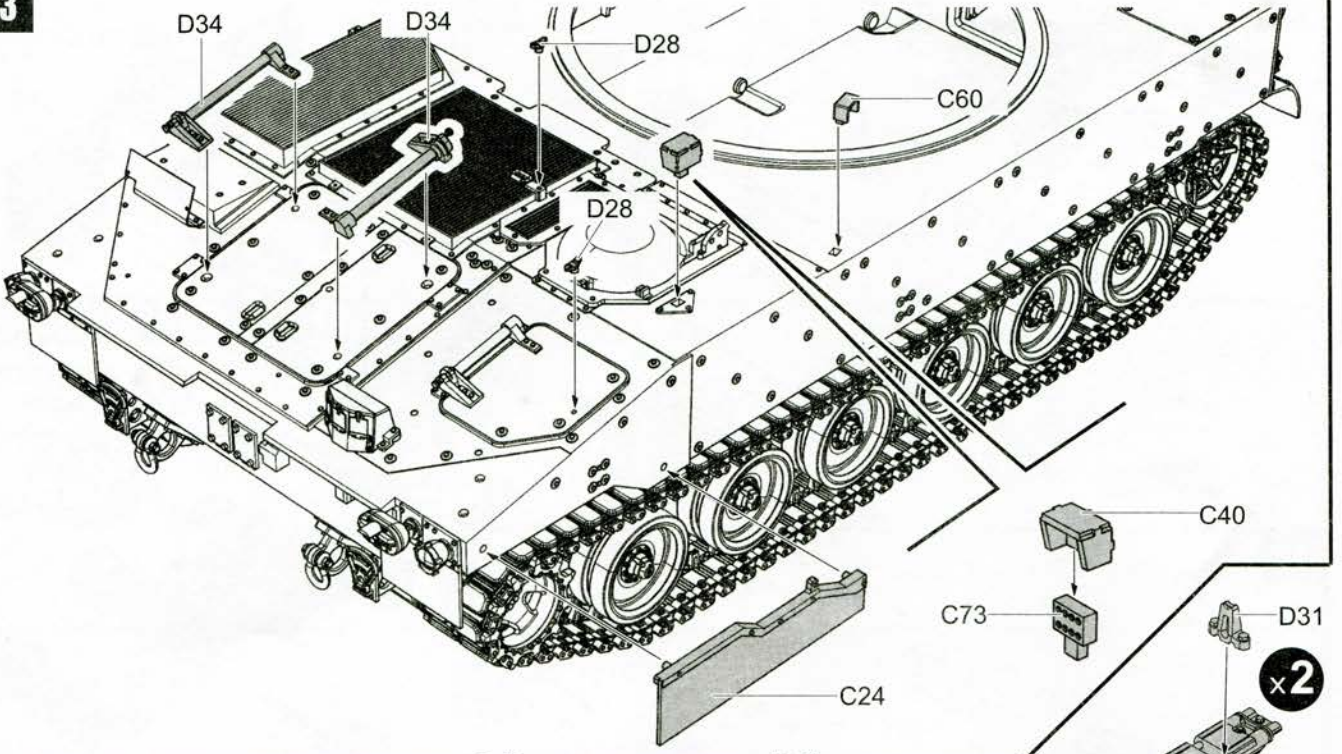
注意：每条履带至少
需要组装85节。
NOTE: Complete track
for one side requirse 85
links.

↔ 对侧相同
Both sides

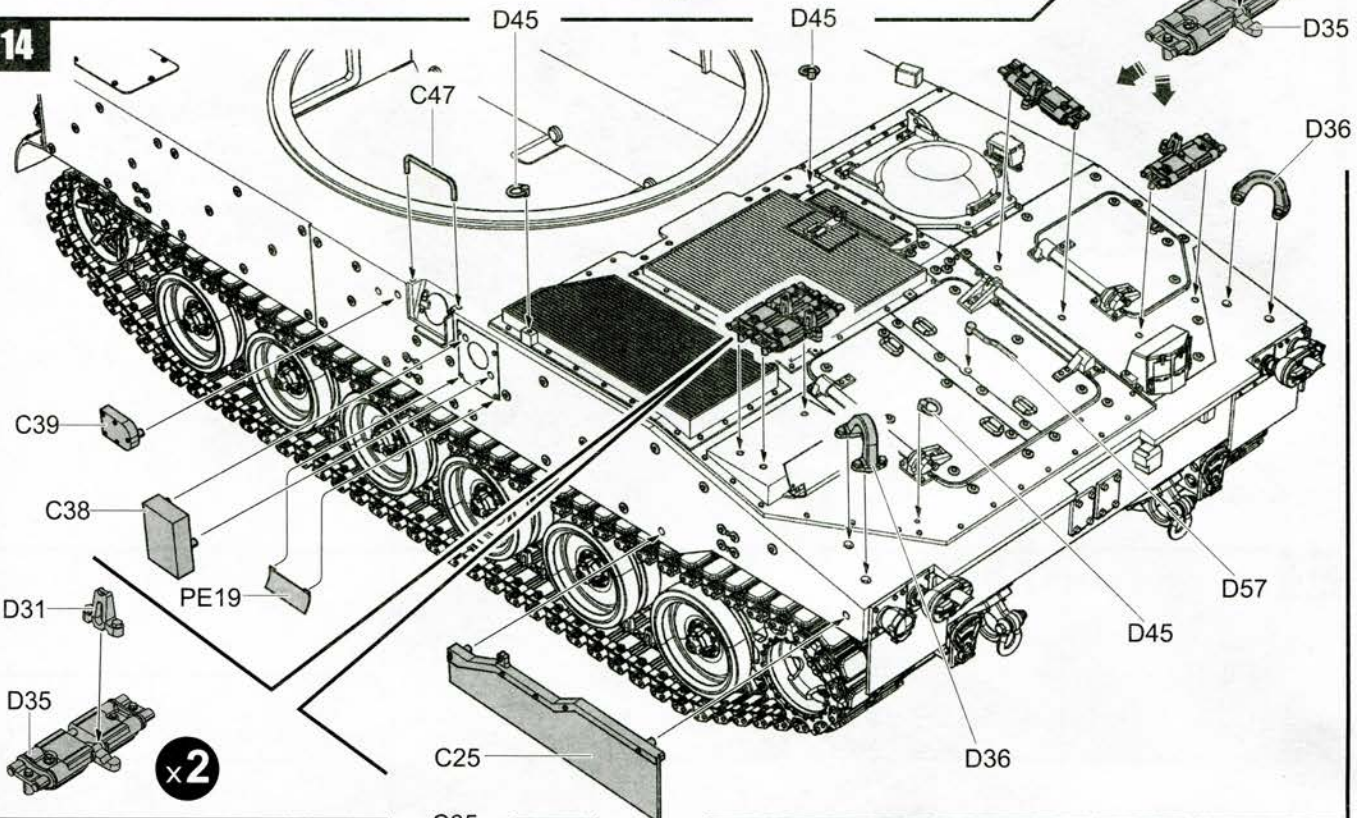
12



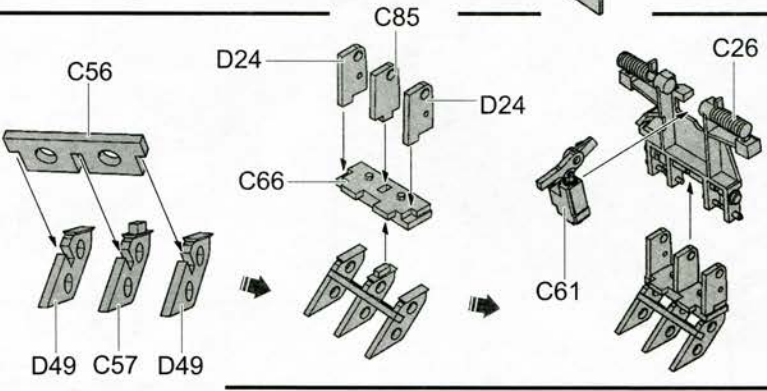
13



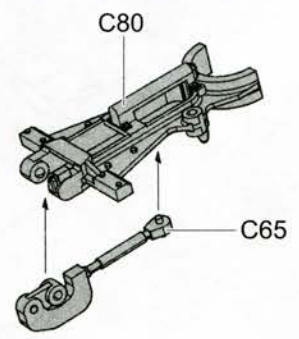
14



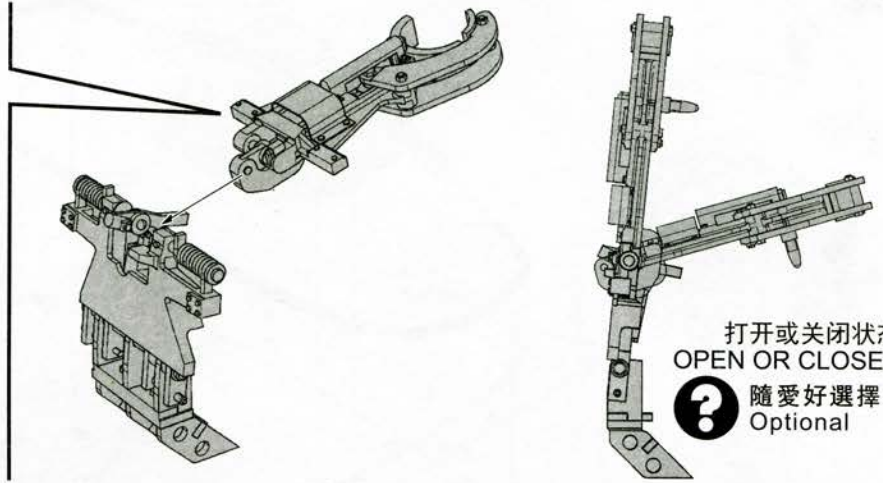
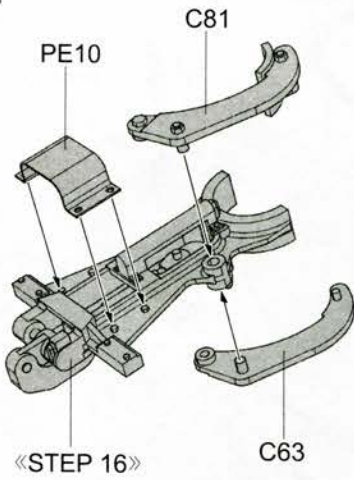
15



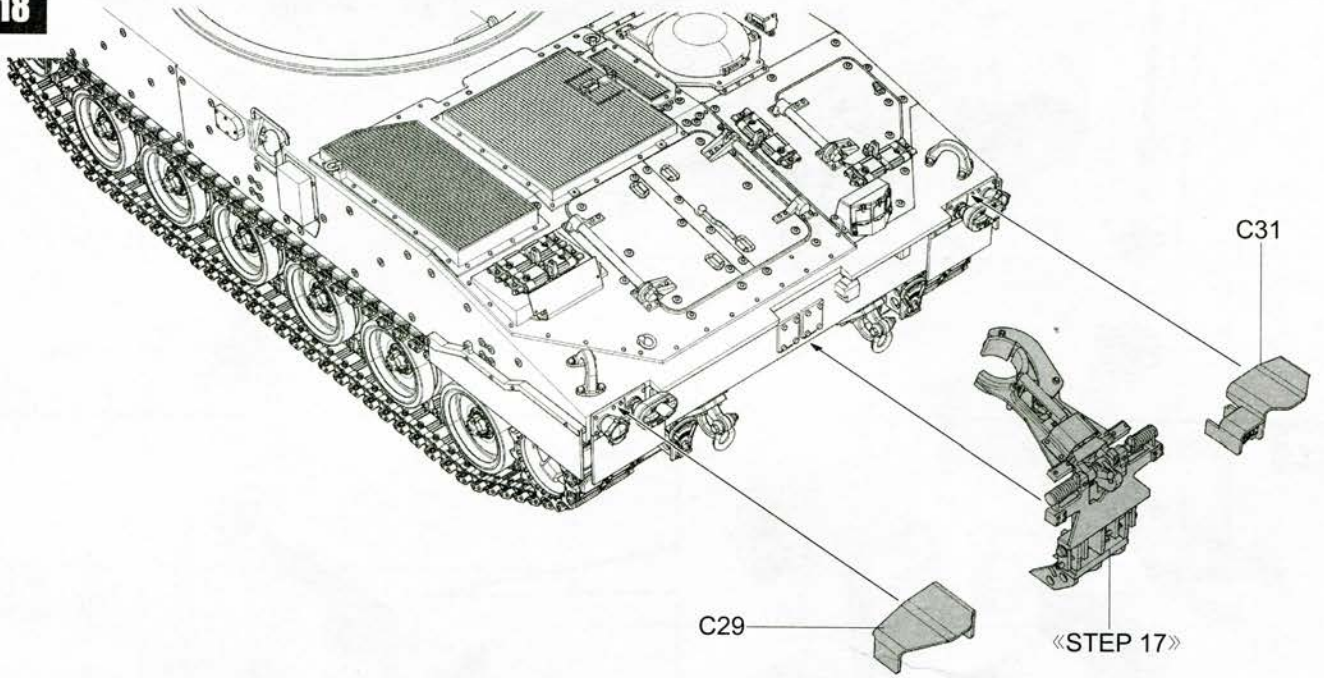
16



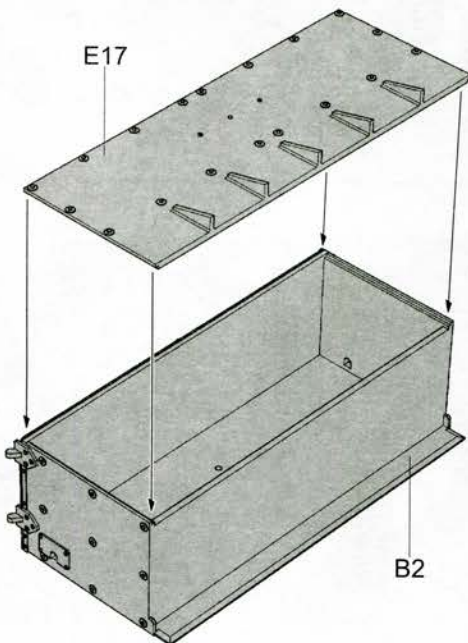
17



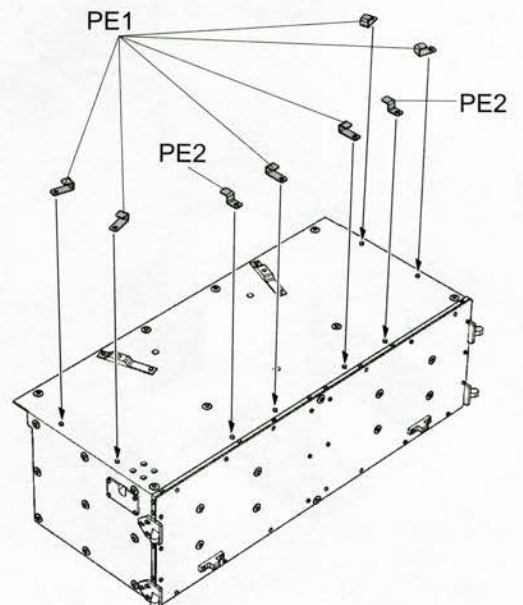
18



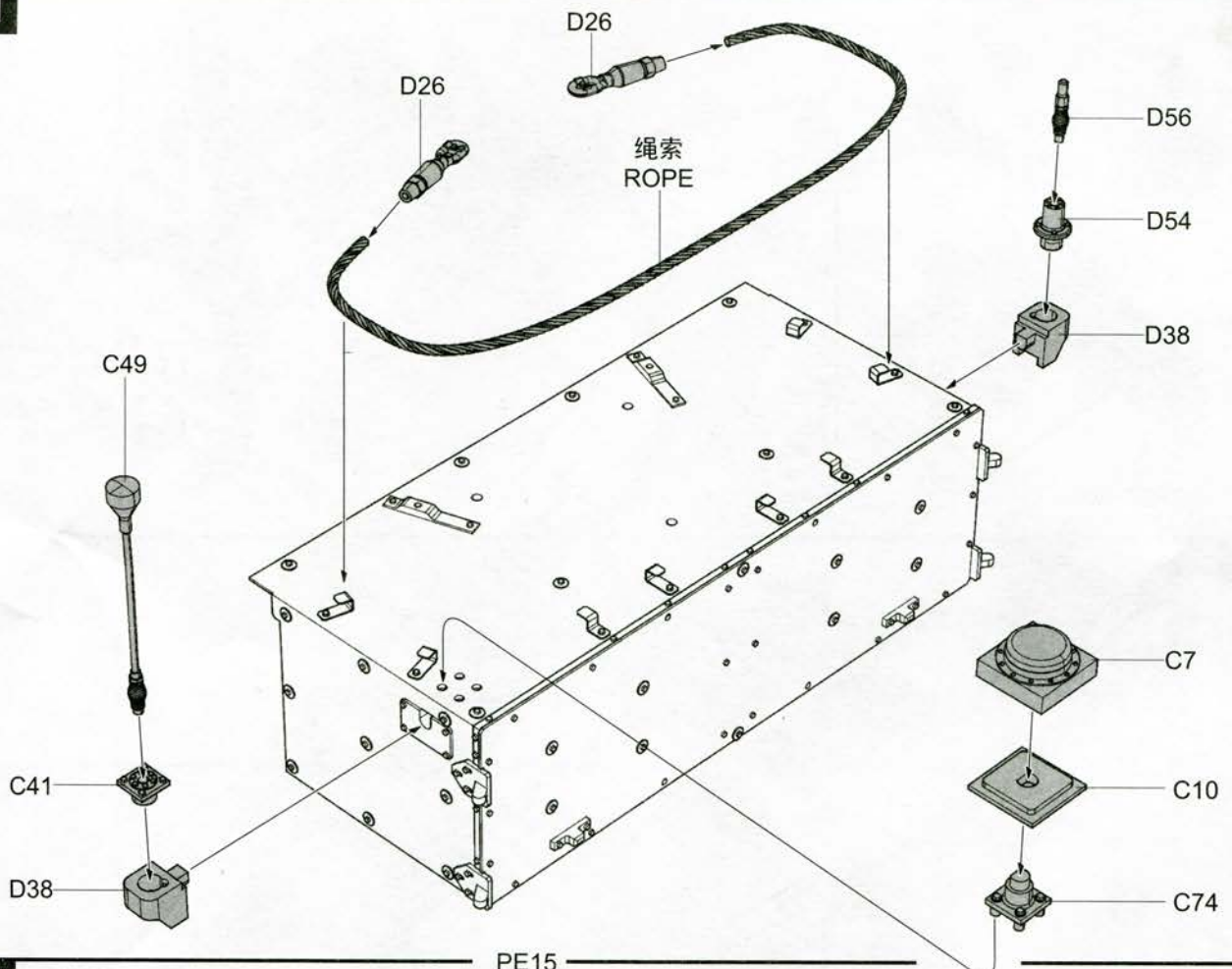
19



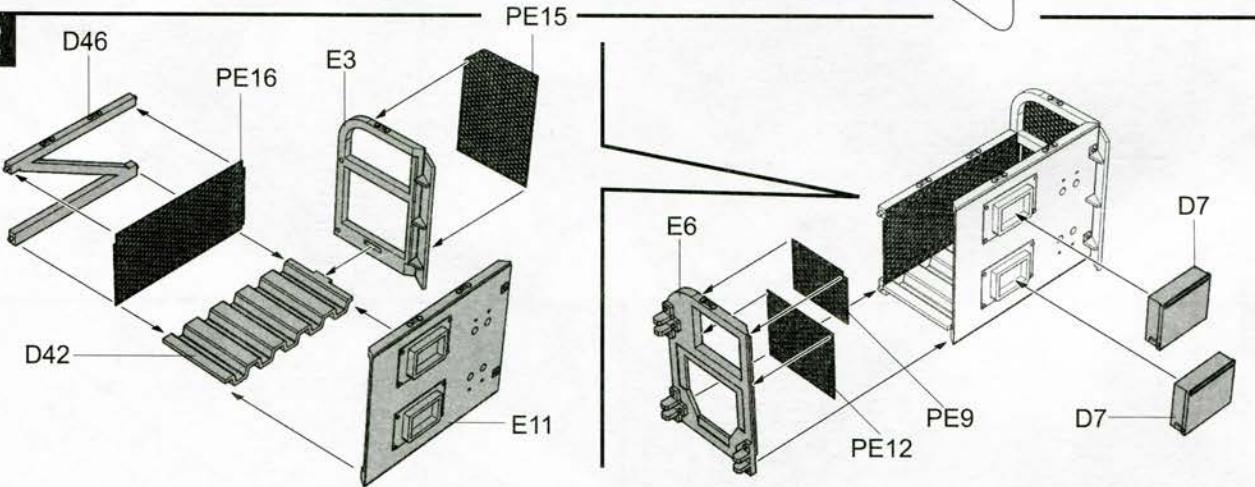
20



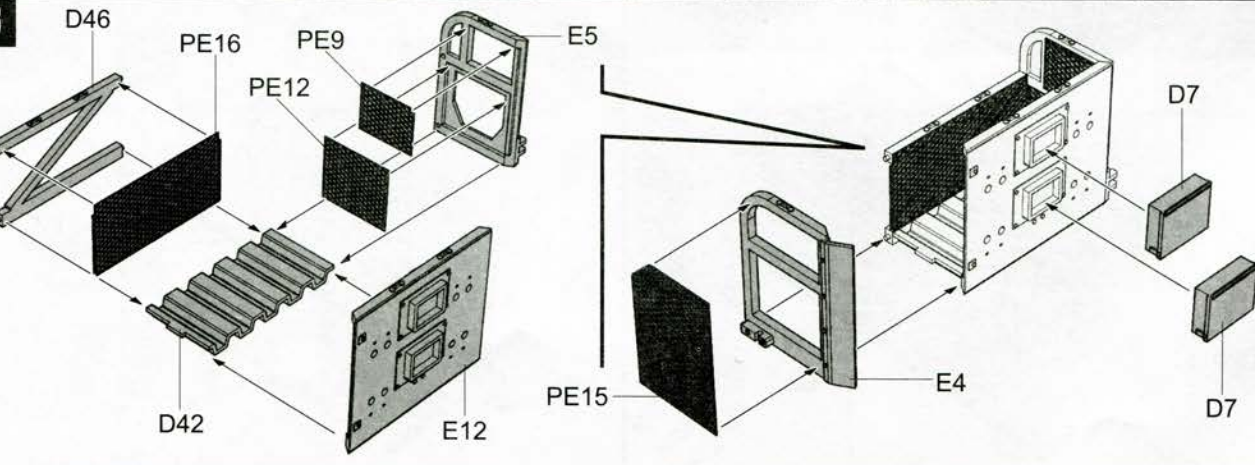
21



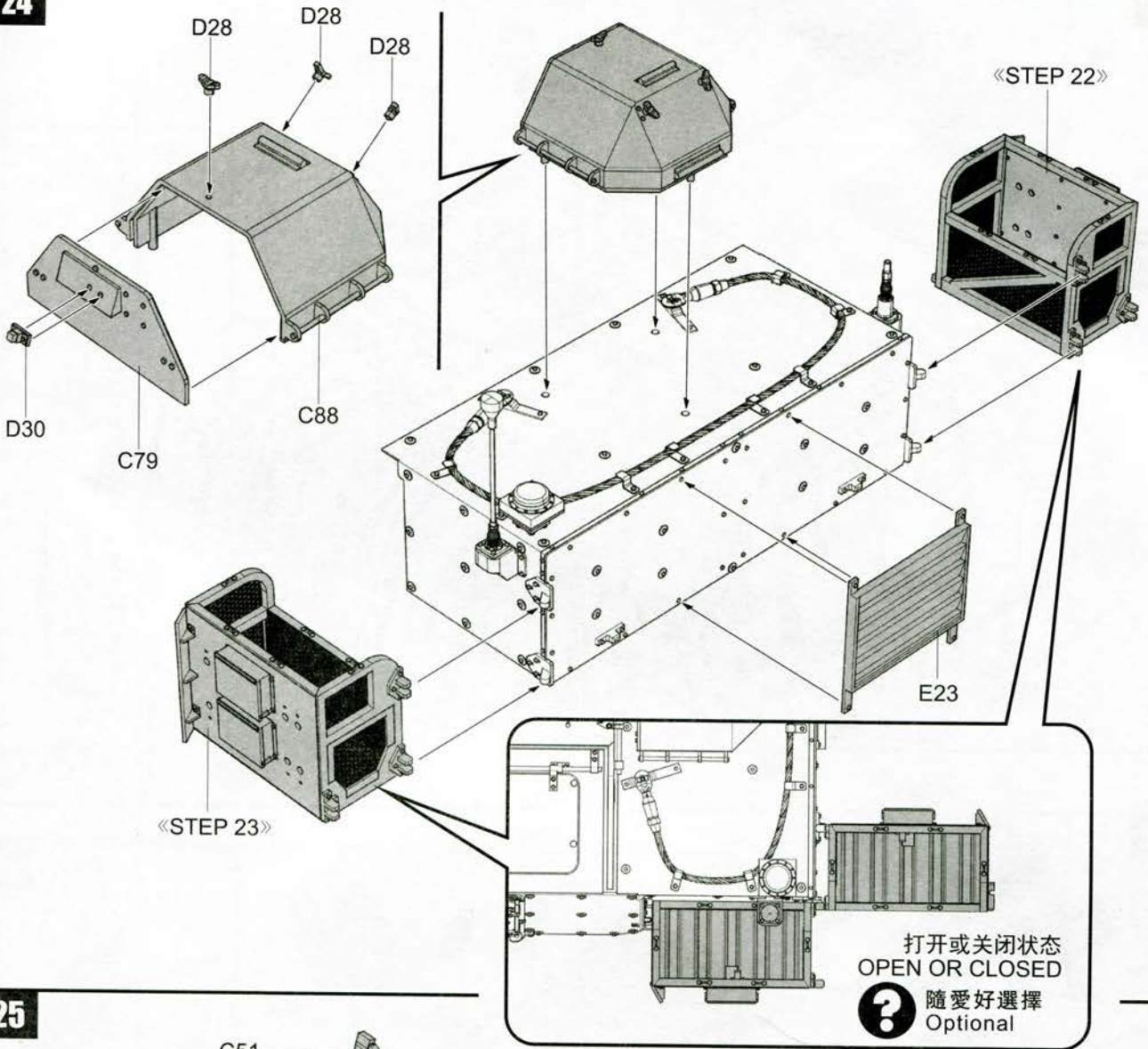
22



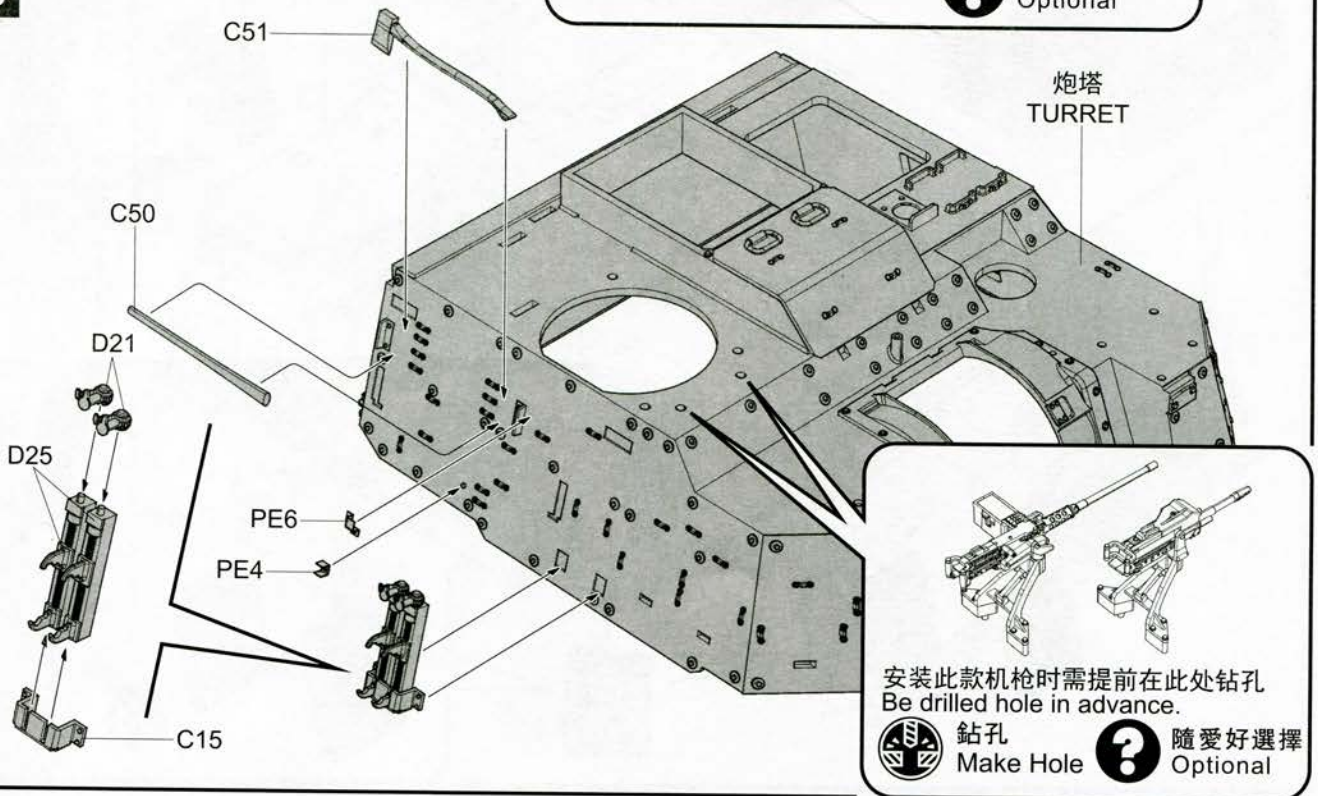
23



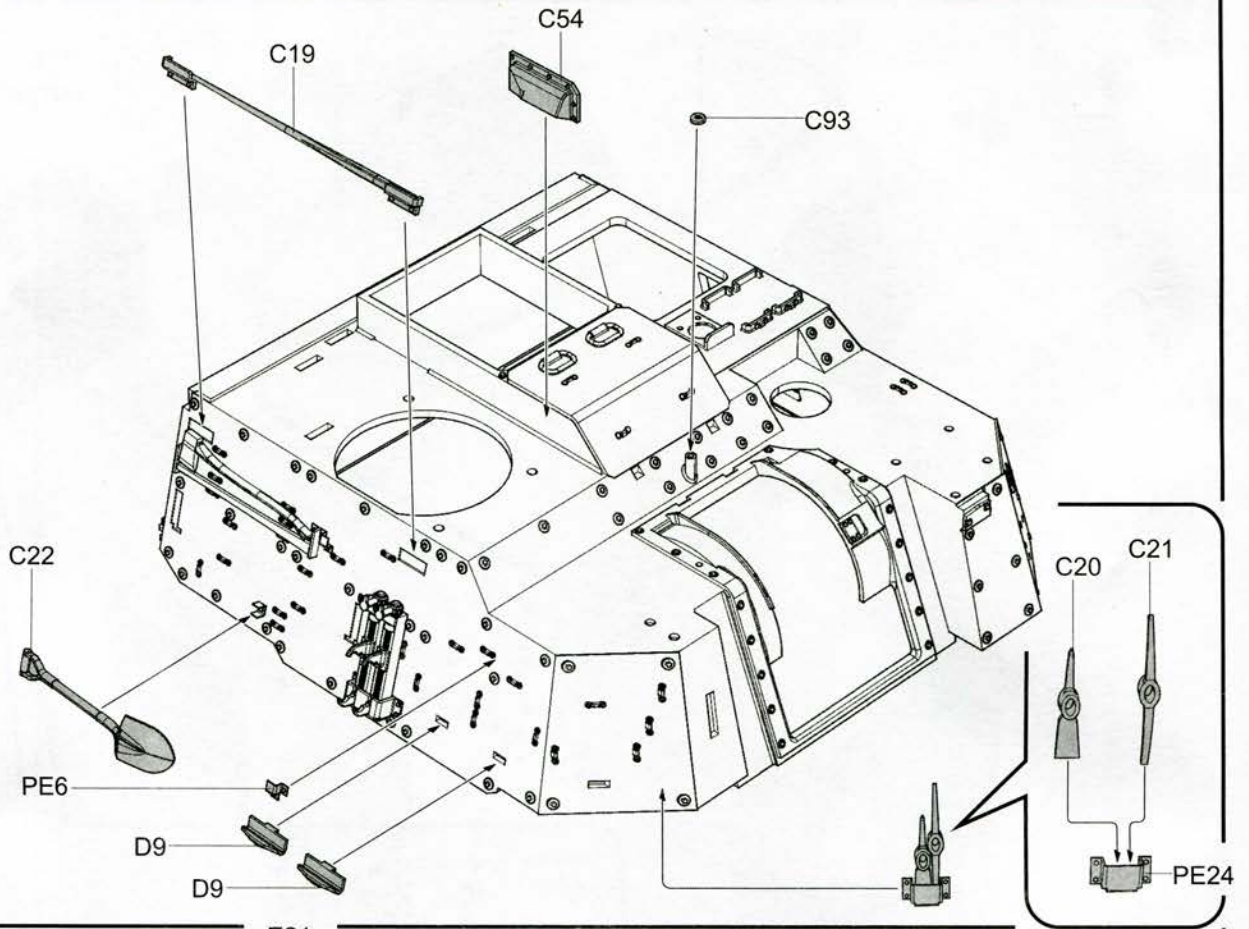
24



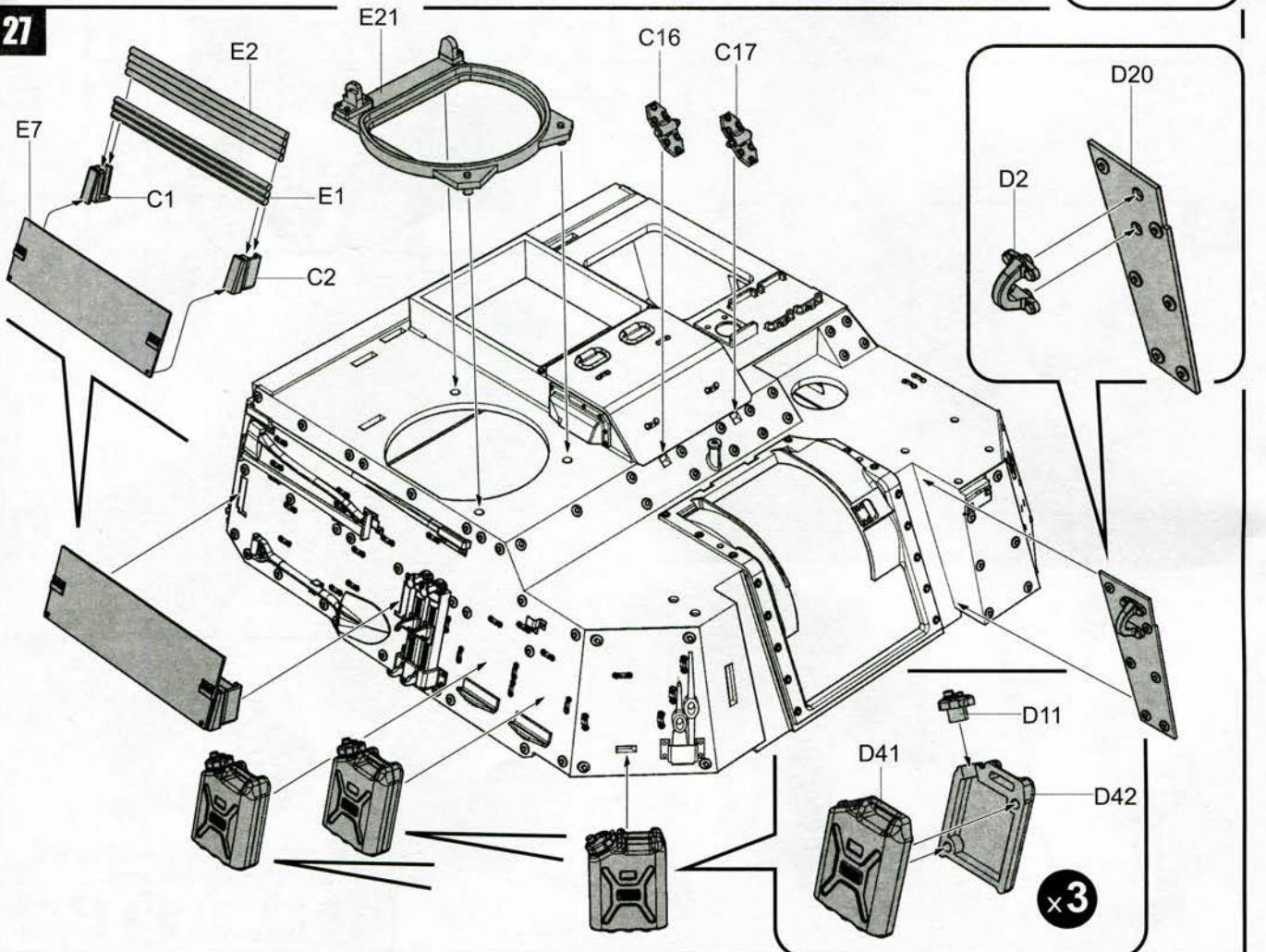
25



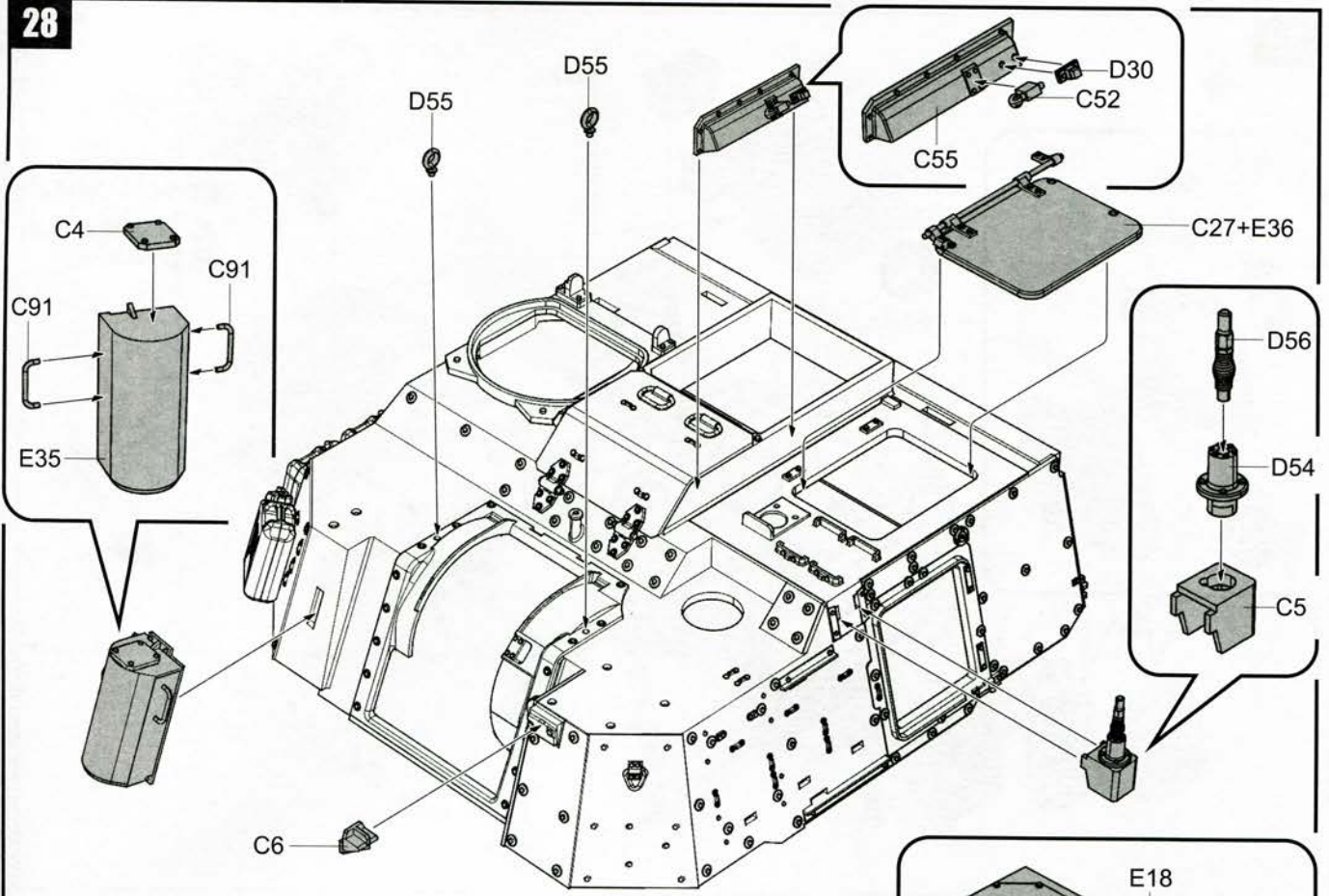
26



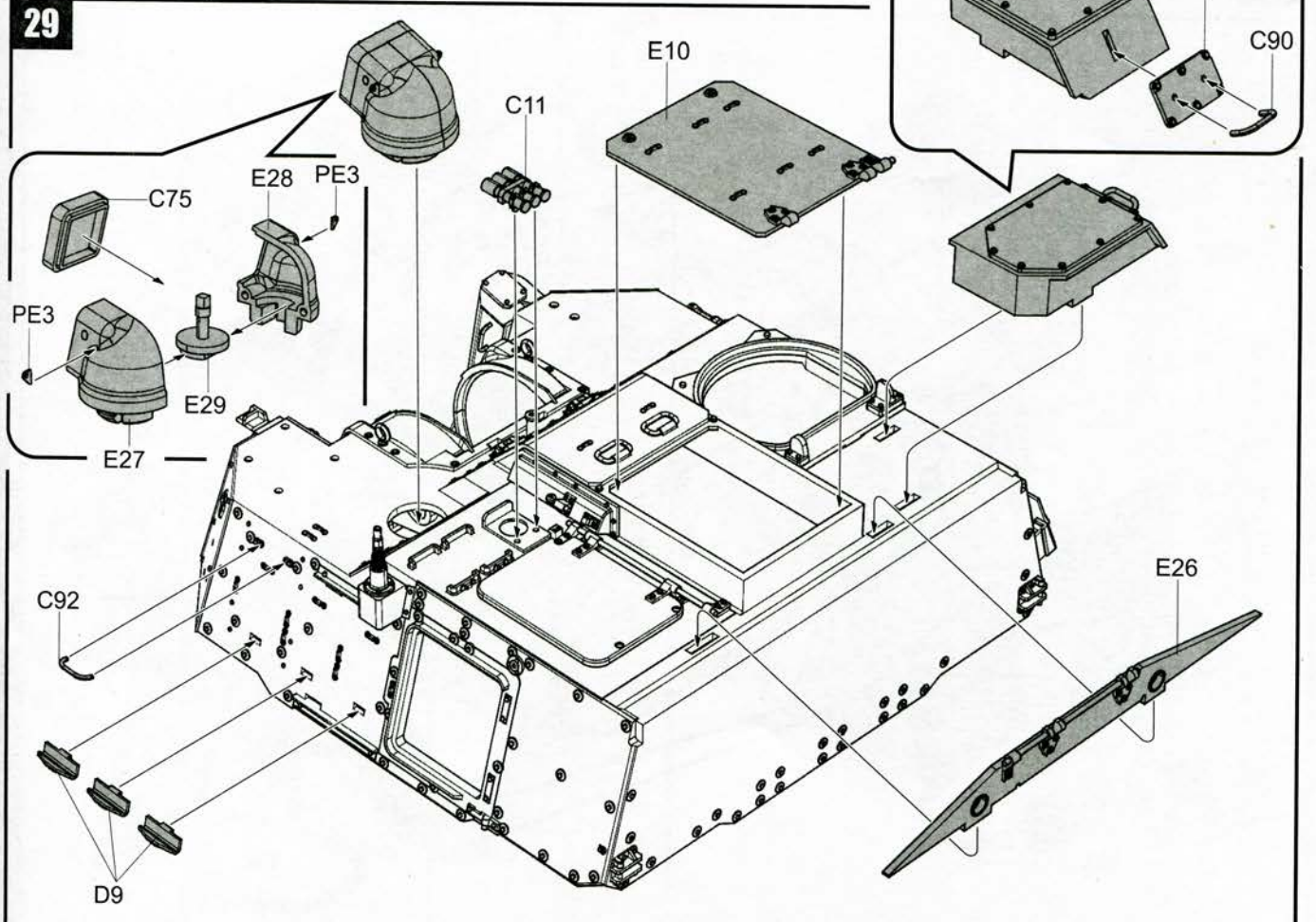
27



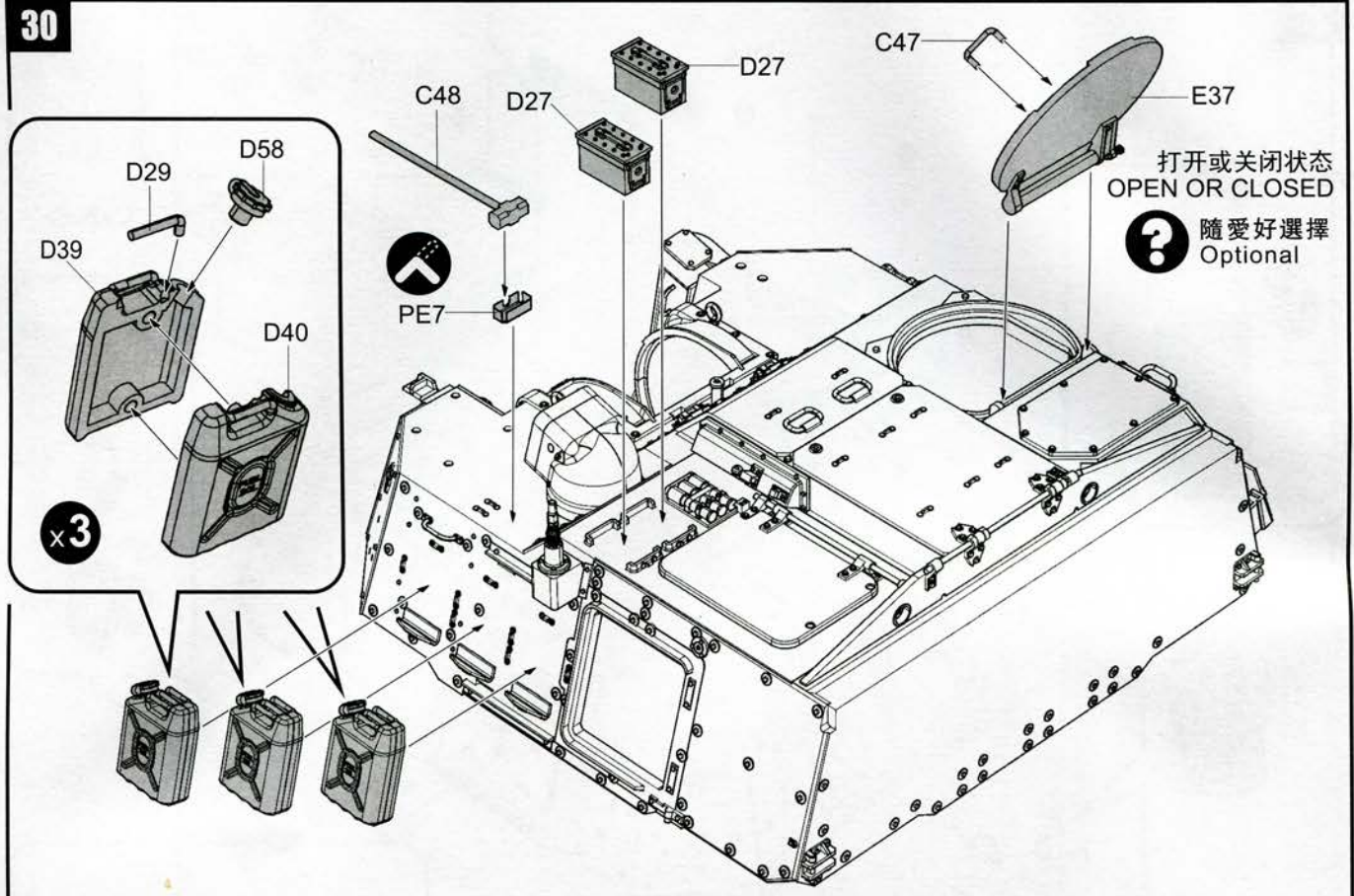
28



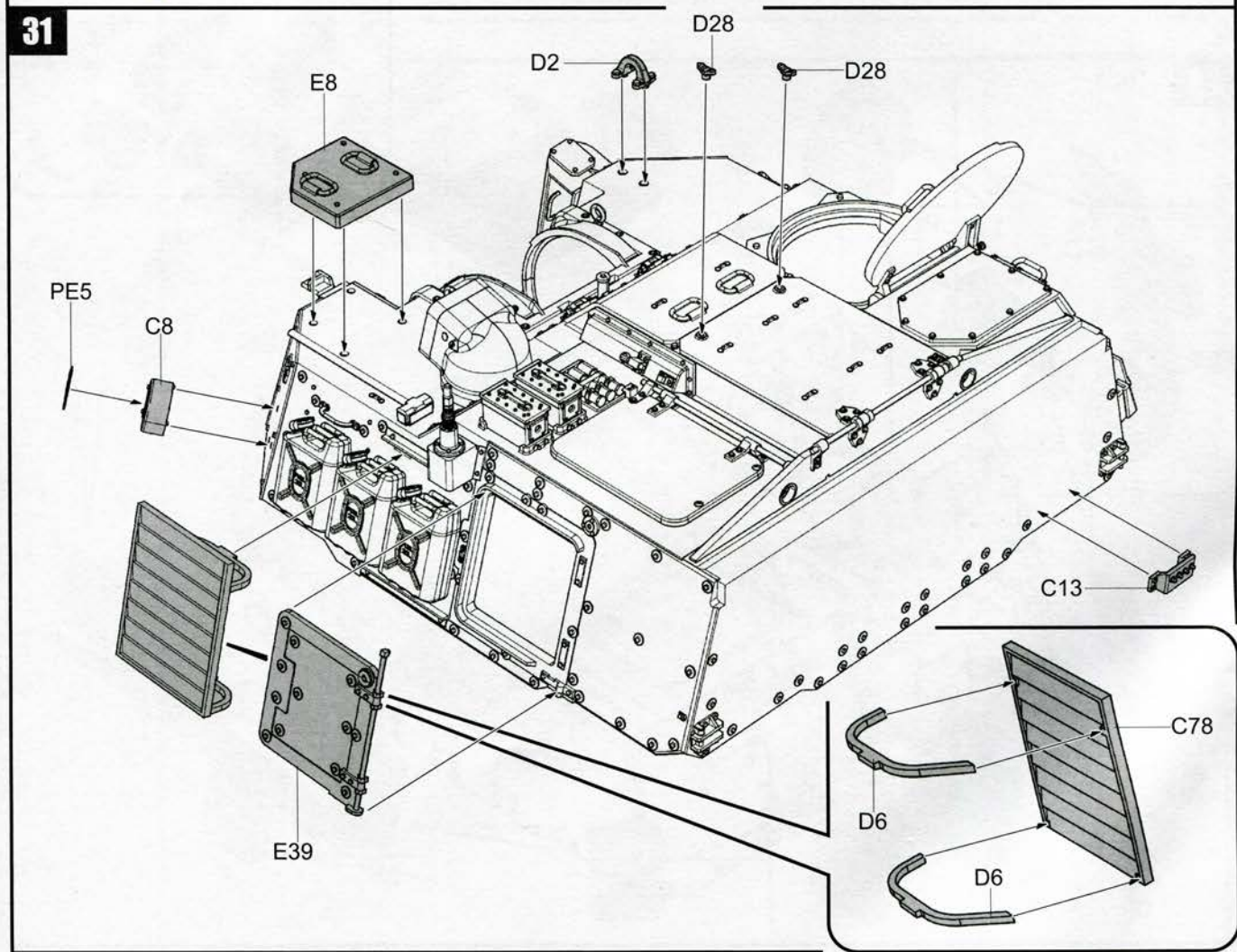
29



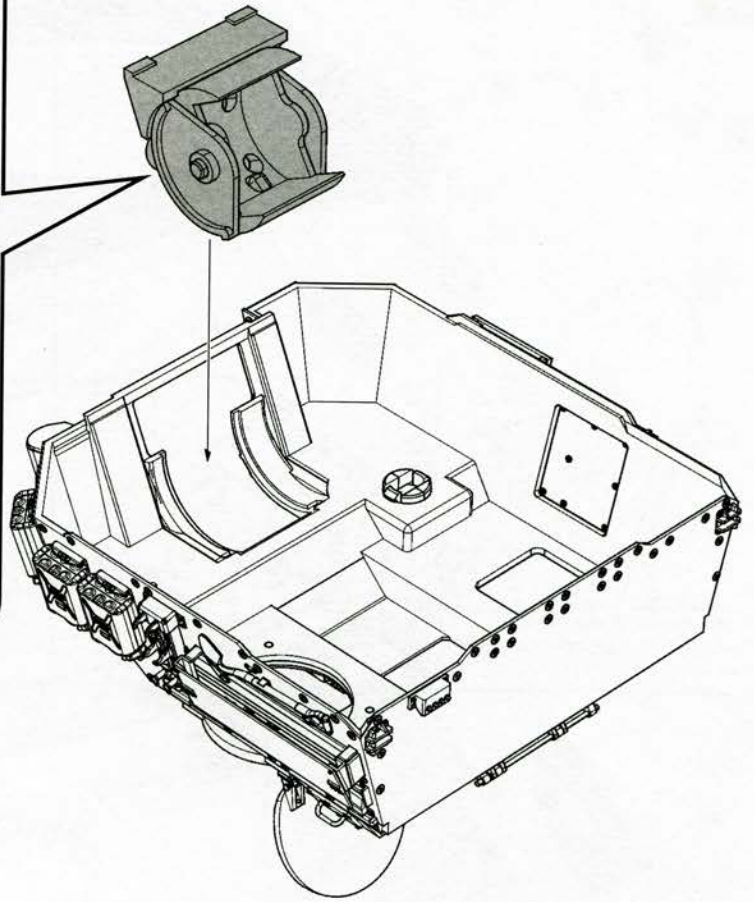
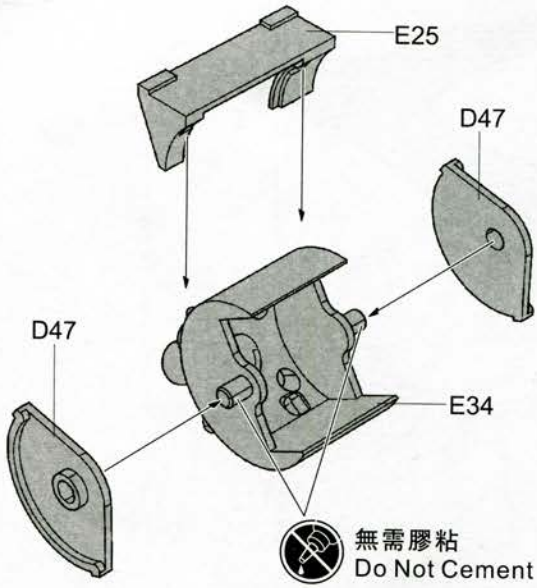
30



31



32

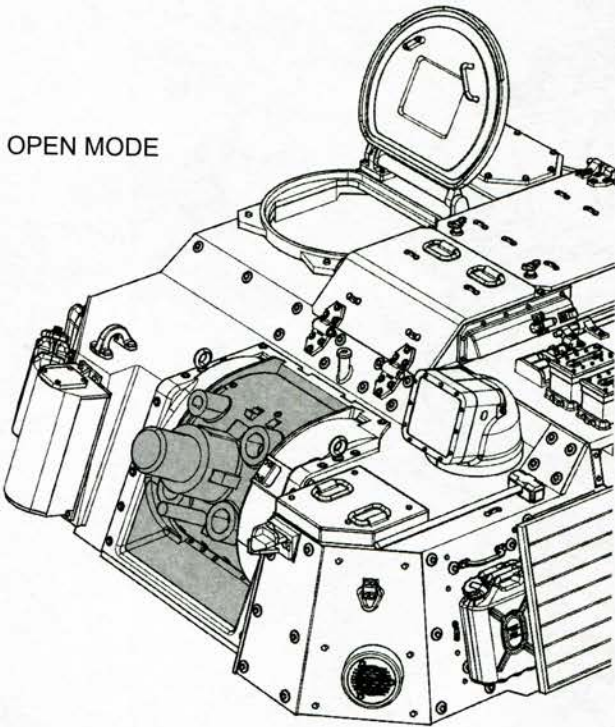


33

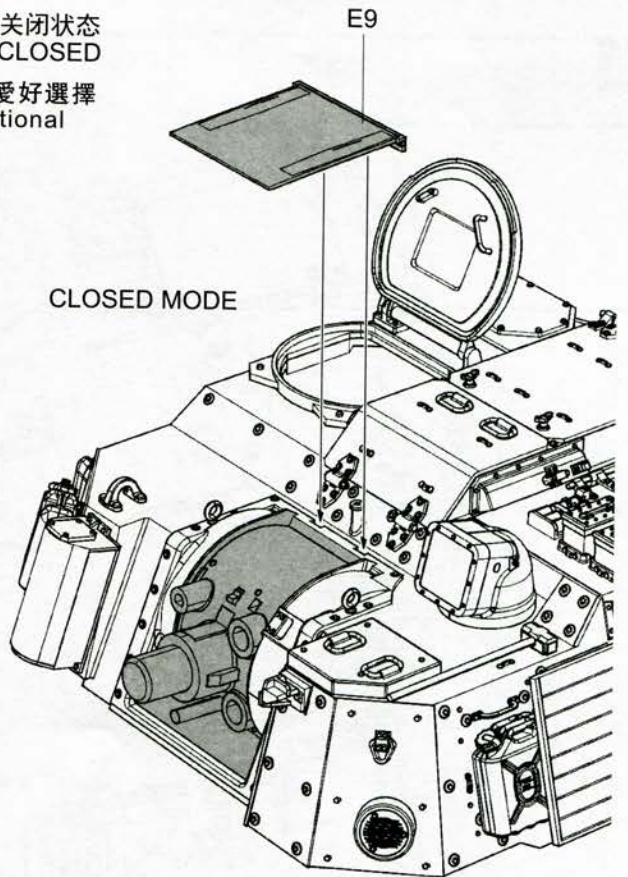
打开或关闭状态
OPEN OR CLOSED

? 隨愛好選擇
Optional

OPEN MODE

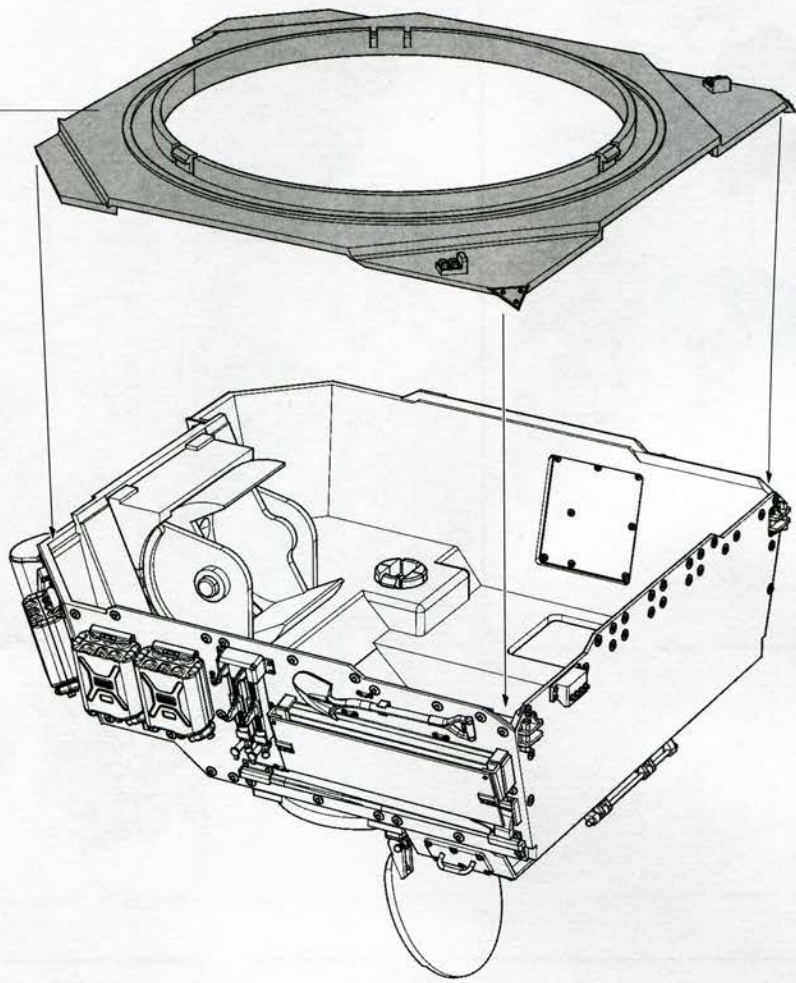


CLOSED MODE

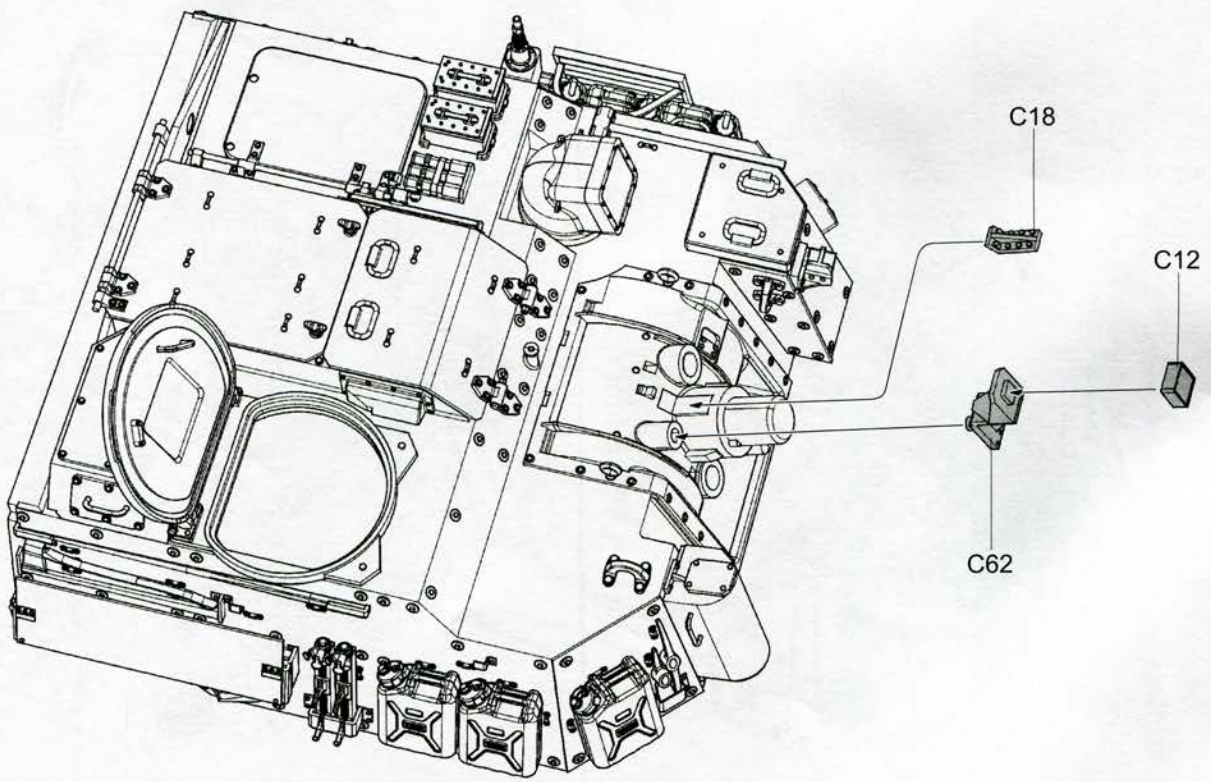


34

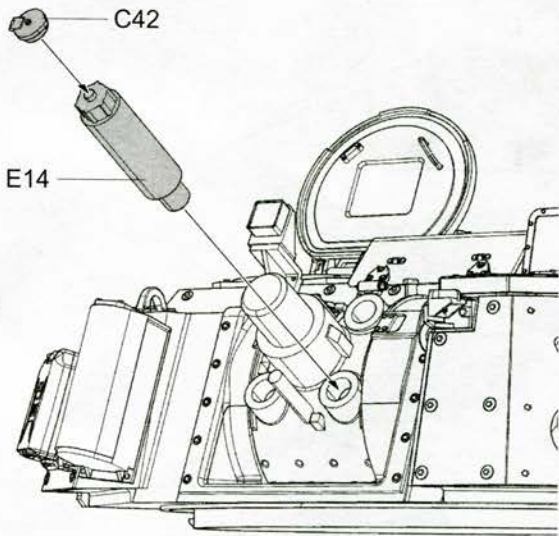
E53



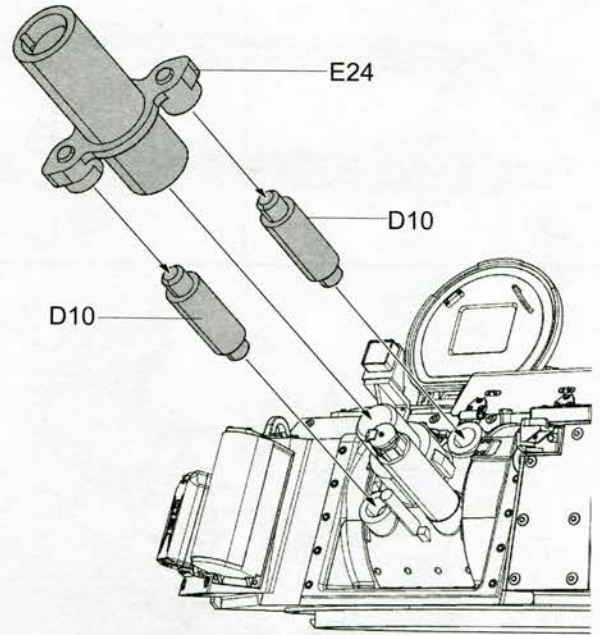
35



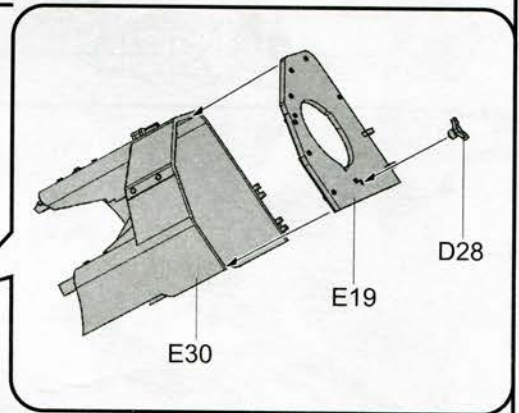
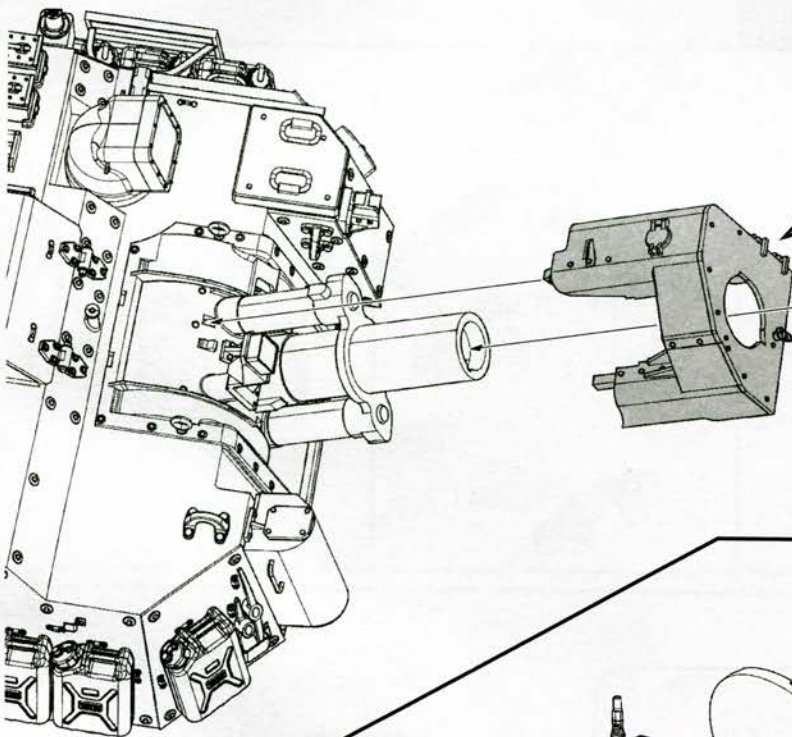
36



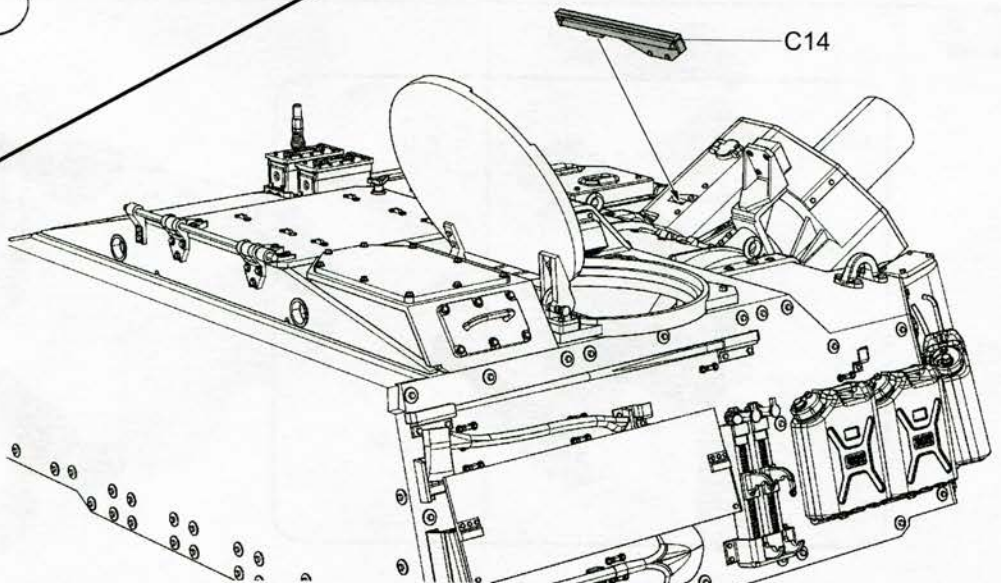
37



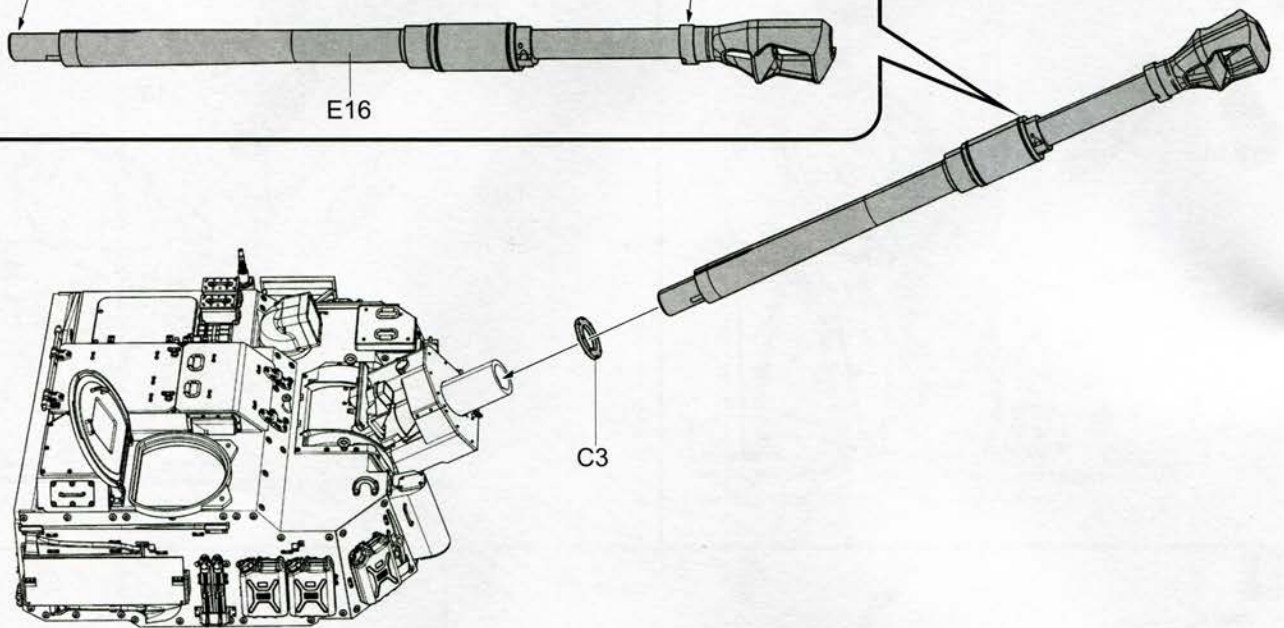
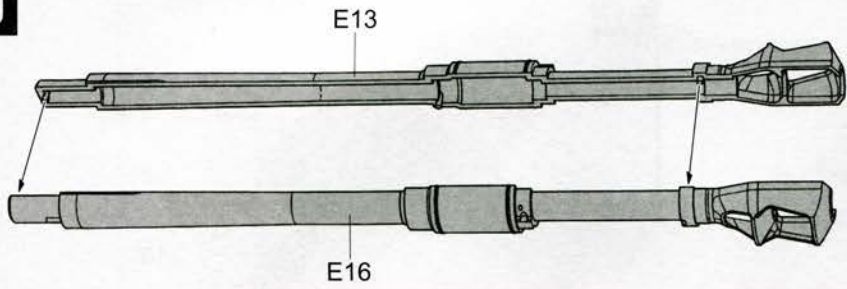
38



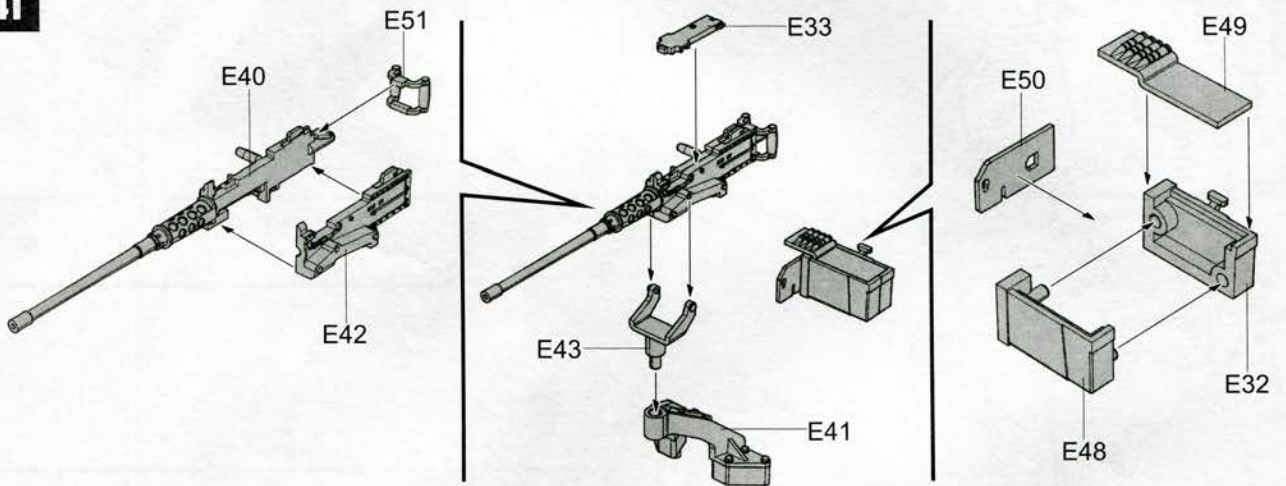
39



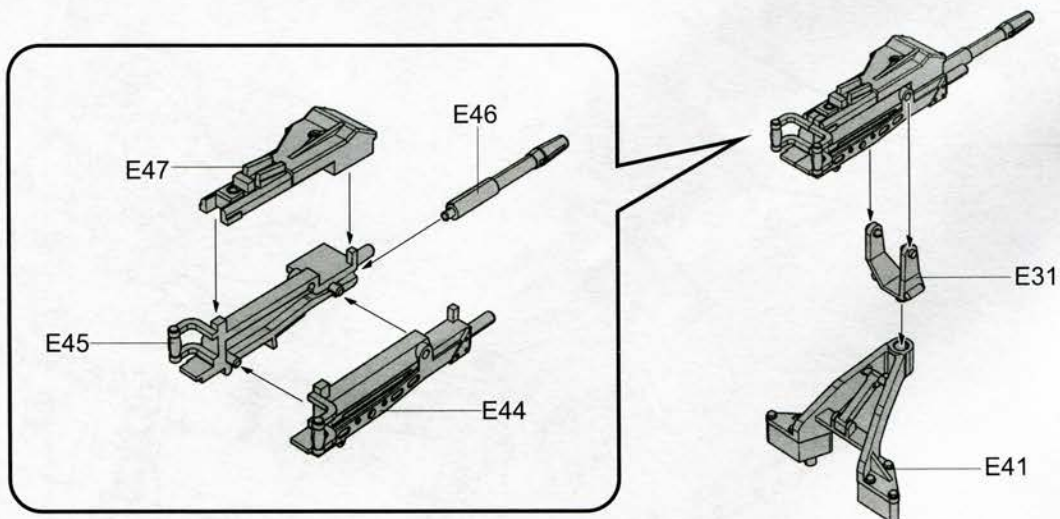
40



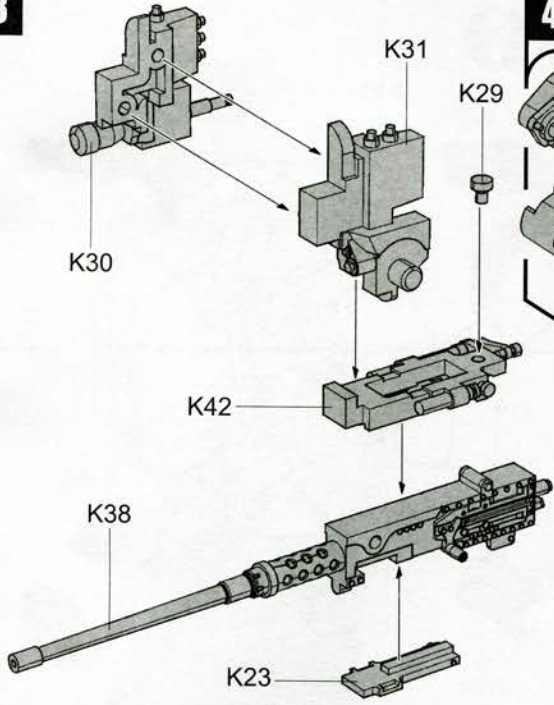
41



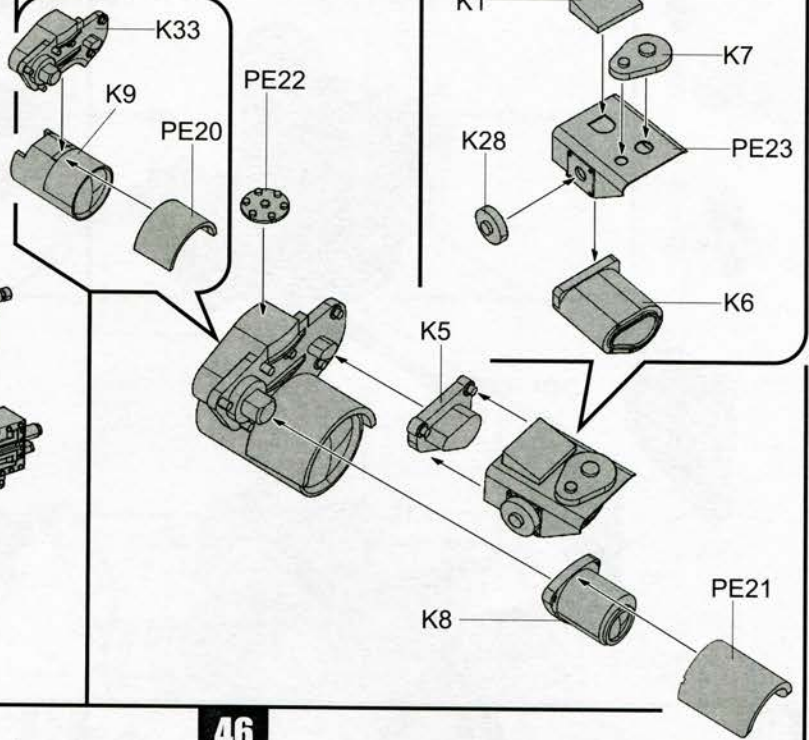
42



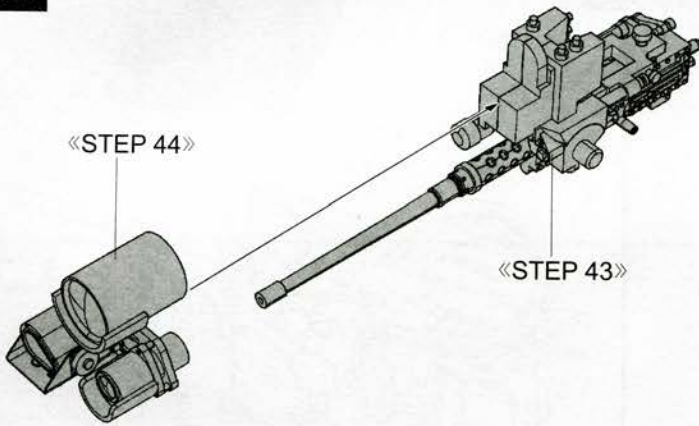
43



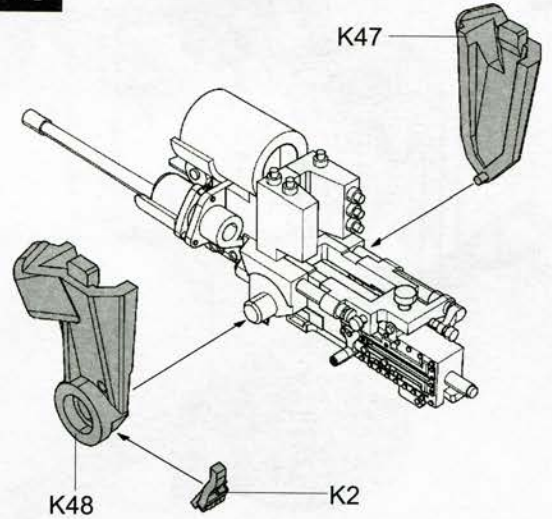
44



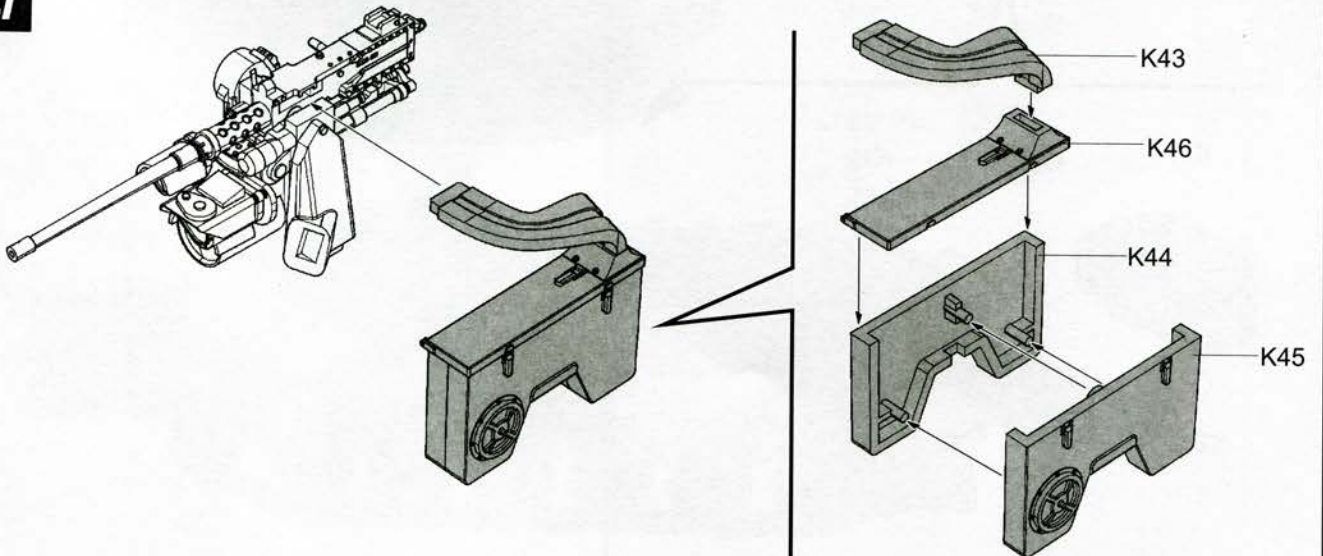
45



46

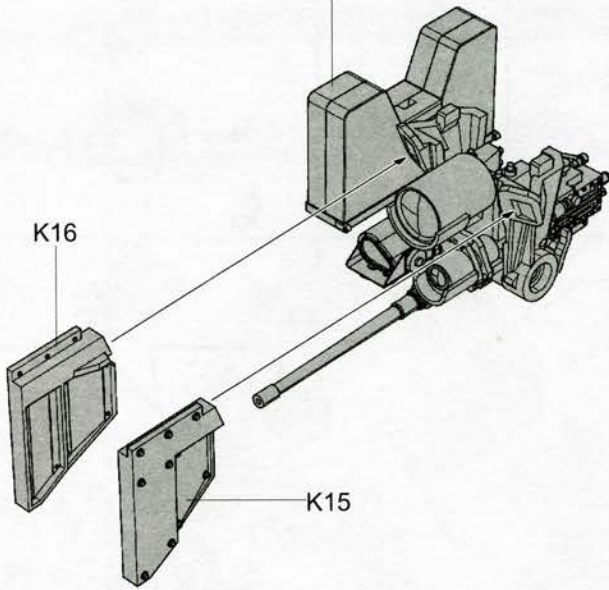


47

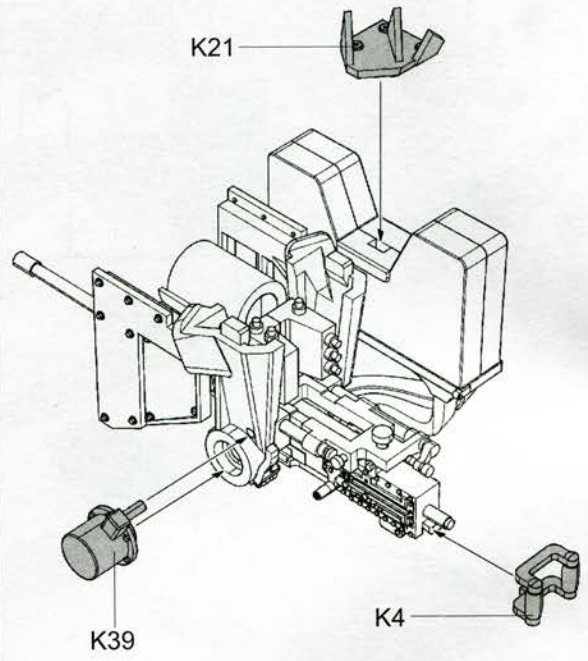


48

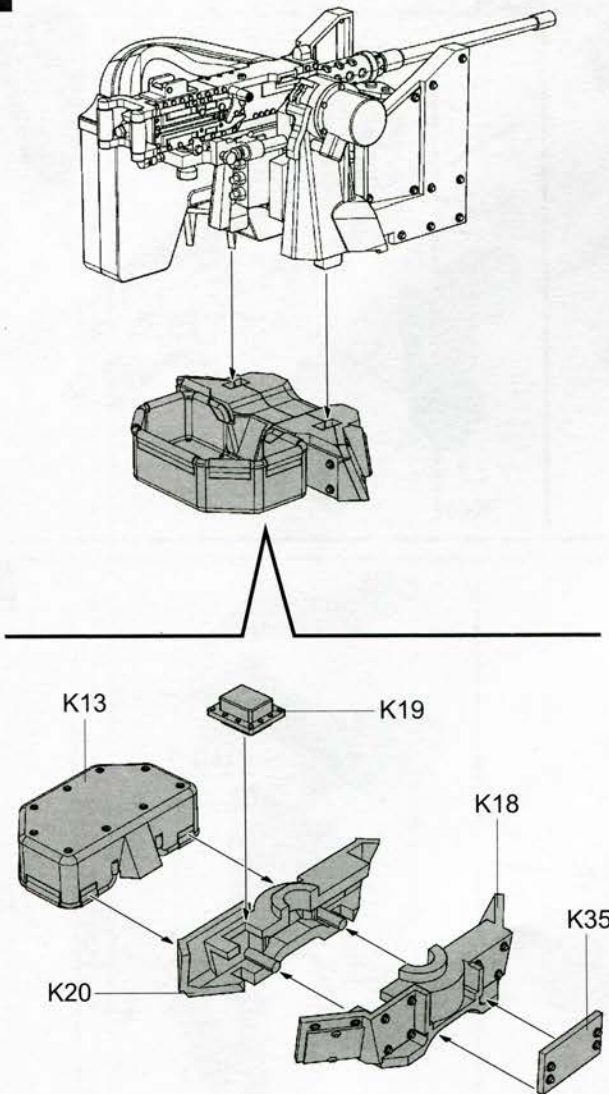
«STEP 47»



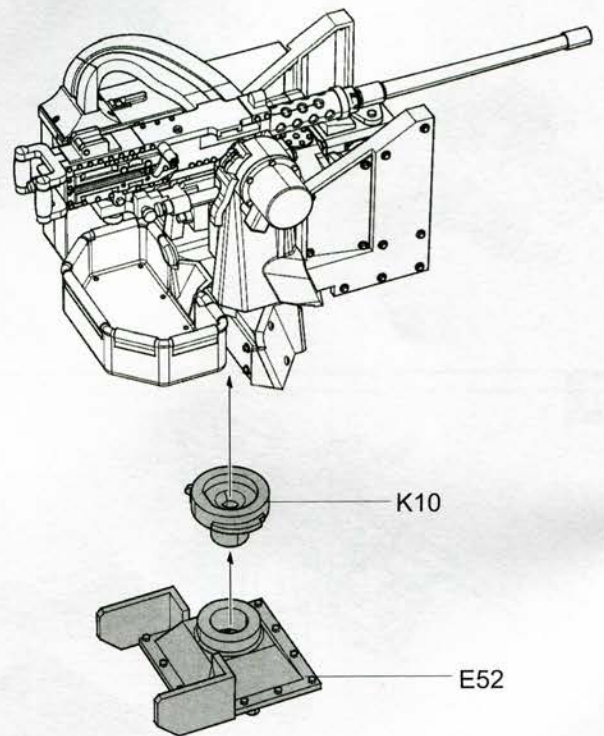
49



50



51



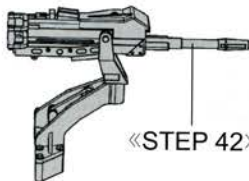
52

? 隨愛好選擇
Optional

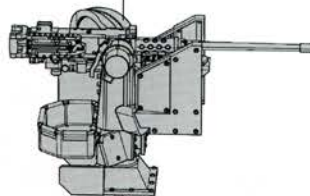
《STEP 41》



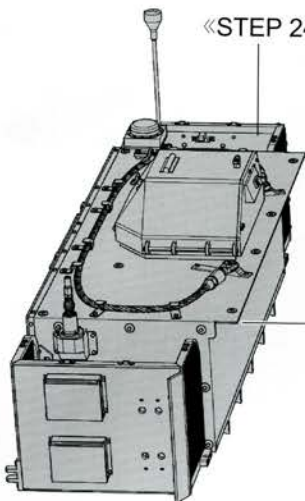
《STEP 42》



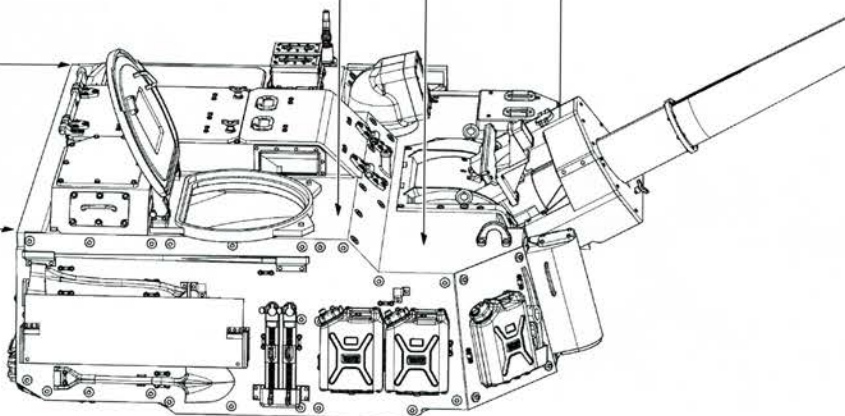
《STEP 51》



《STEP 24》



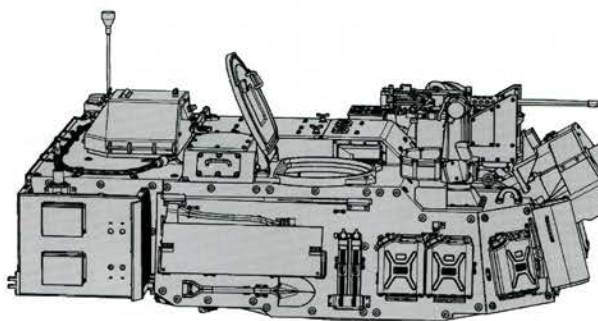
《STEP 40》



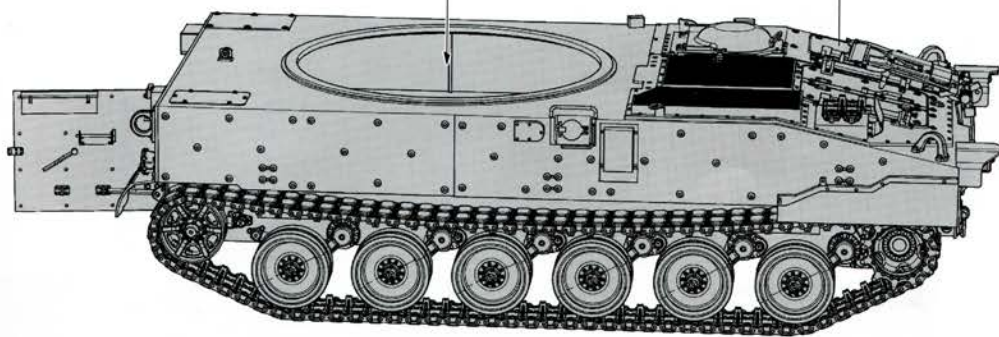
53

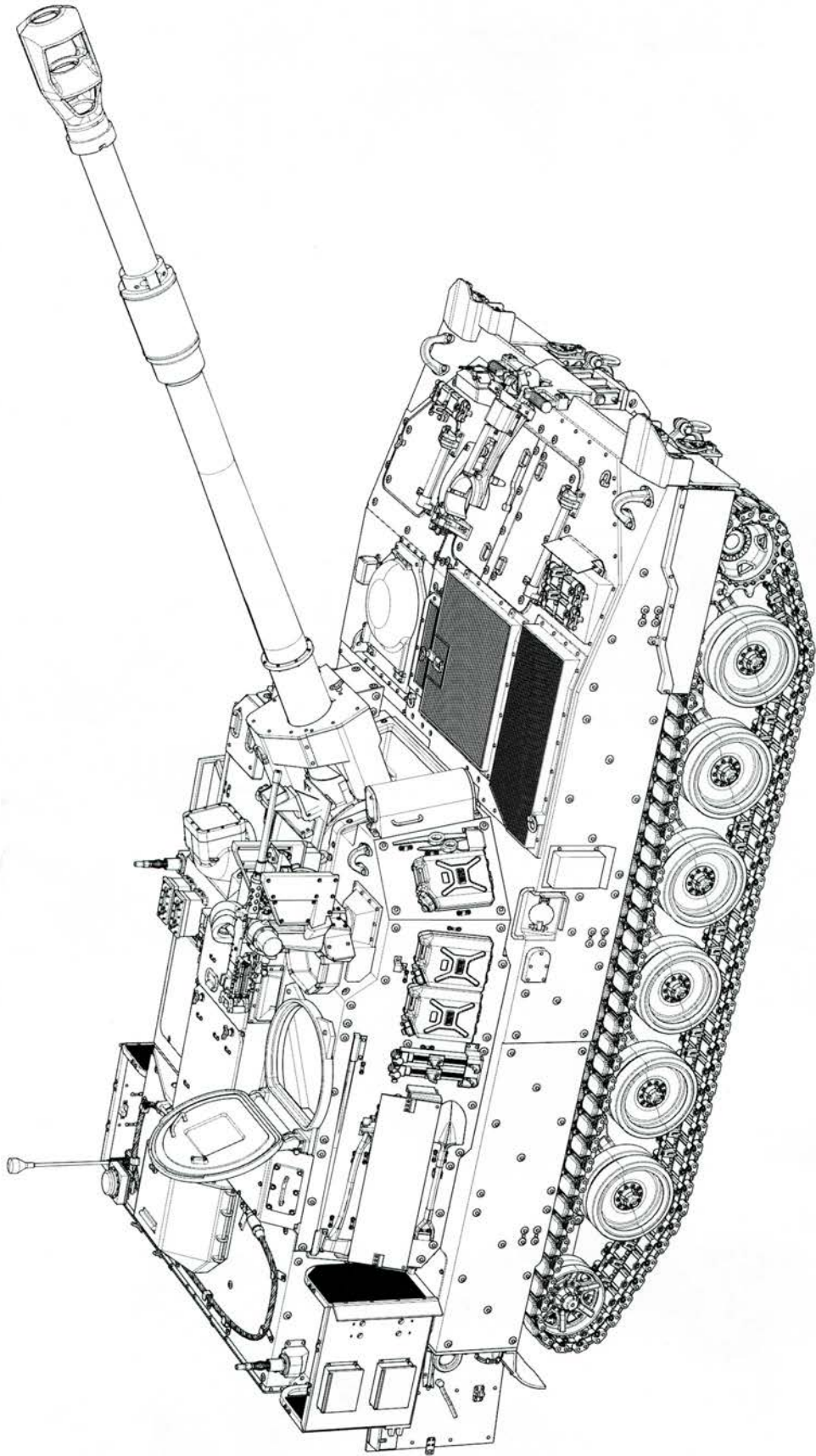


組合完成
Finished Assembly



《STEP 18》



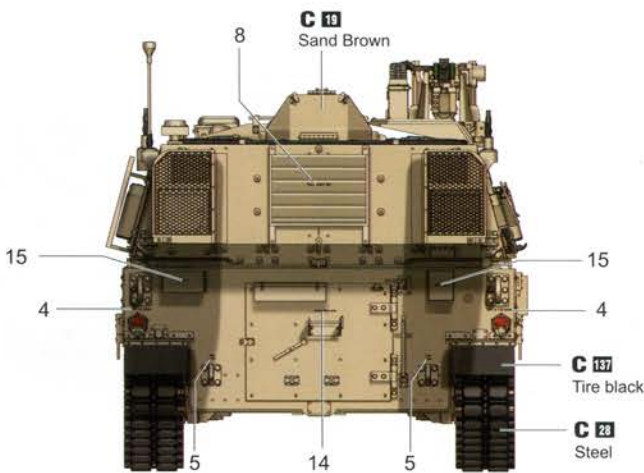
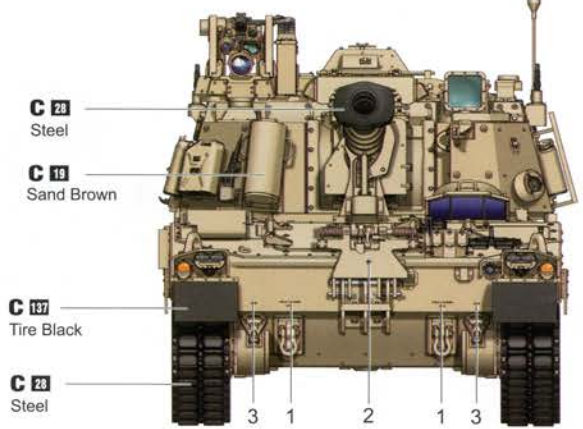
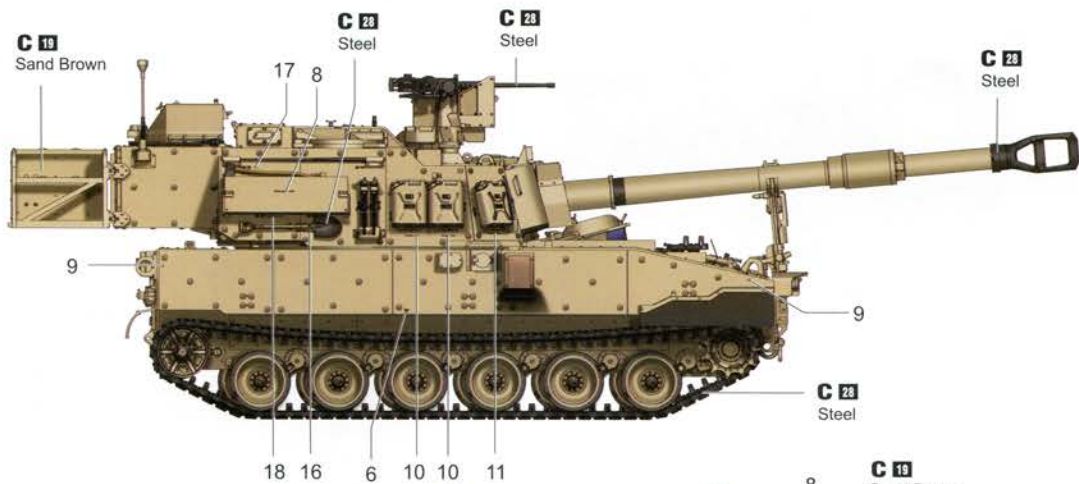
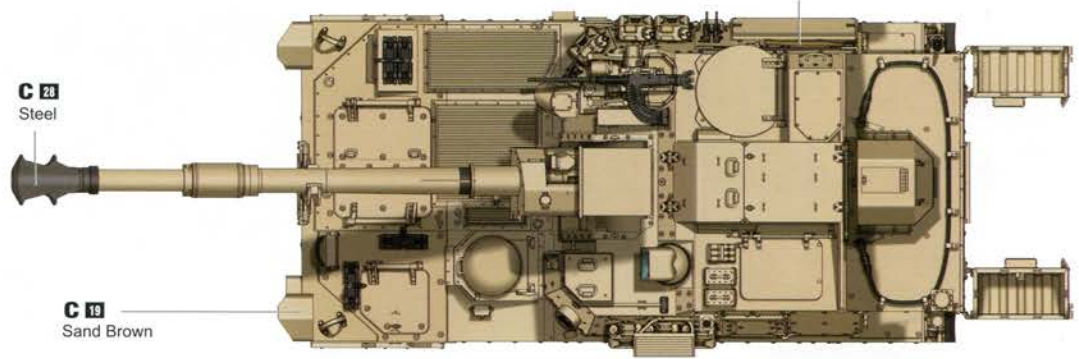
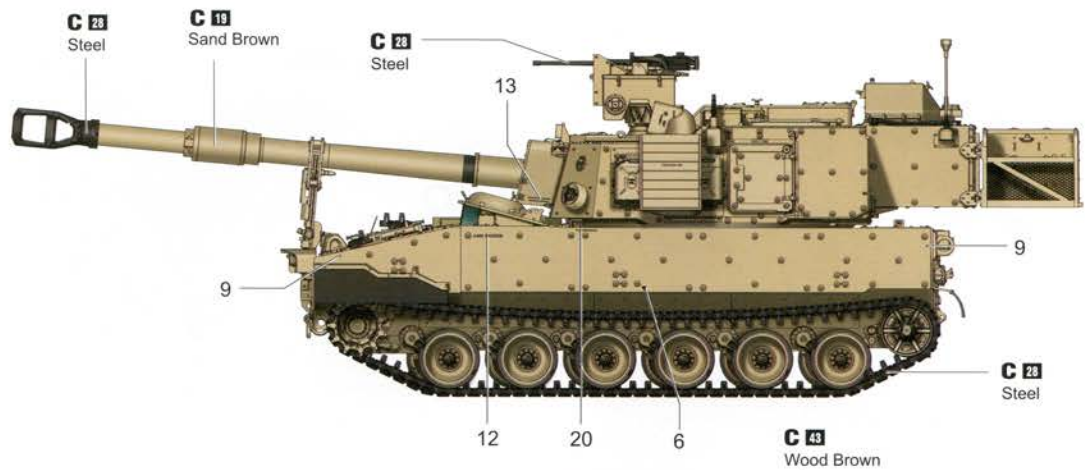




M109A7 PALADIN Self-Propelled Howitzer

M109A7 “帕拉丁” 自行榴彈炮
1/35 scale

Painting & marking Guide 塗裝與水貼



M109A7 PALADIN Self-Propelled Howitzer

M109A7 “帕拉丁” 自行榴彈炮
1/35 scale

Painting & marking Guide 塗裝與水貼

