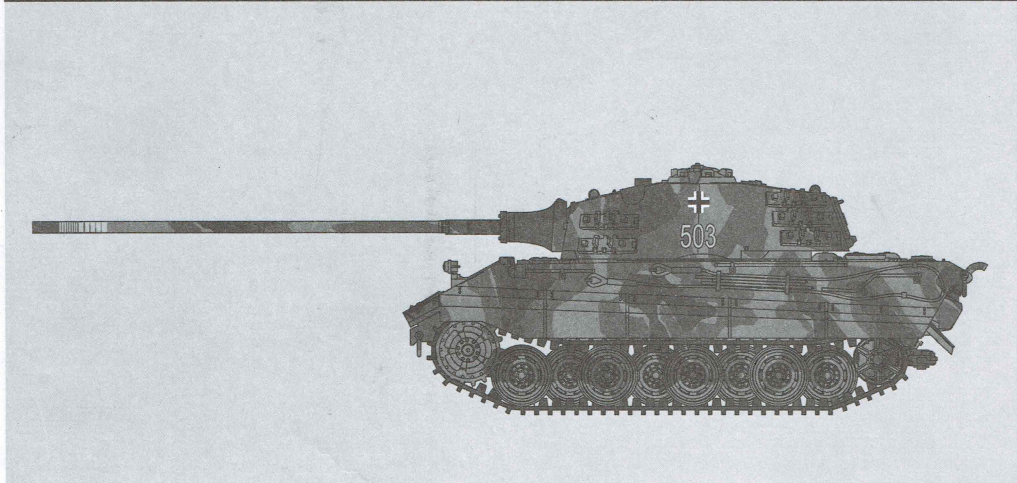


GERMANY WWII E-75 HEAVY TANK WITH 88 GUN



ITEM NO:UA72017

●READ BEFORE ASSEMBLY

1. When you use glue or paint, do not near flame, and use in a well-ventilated room.
2. Take extra care in handling photo etch parts in order to avoid injury
3. When you take parts off the runner frame, use modeling scissors and trim excess plastic with a cutter or a file.
4. Glue and paint are not included.
5. This product is only suitable for experienced more than 14 years old.

●装配之前仔细阅读:

1. 勿於近火处使用胶水或油漆, 并 打开窗户保持空气流通。
2. 取蚀刻片时应特别注意安全, 防止利边划伤手指。
3. 从胶架中取出部件时, 应用模型专用剪, 并用界刀或小锥除去多余的胶料。
4. 请使用塑料胶水和油漆, 模型内不含。
5. 本产品不适合14岁以下没有经验的模型爱好者。

SUPERGLUE 强力胶	WEIGHT 配重	MAKE HOLE 钻孔	CUT/REMOVE 切除	BEND 弯曲	FILE/SAND 锉平
OPTION 选择	NO CEMENT 不涂胶水	DECAL 贴纸			

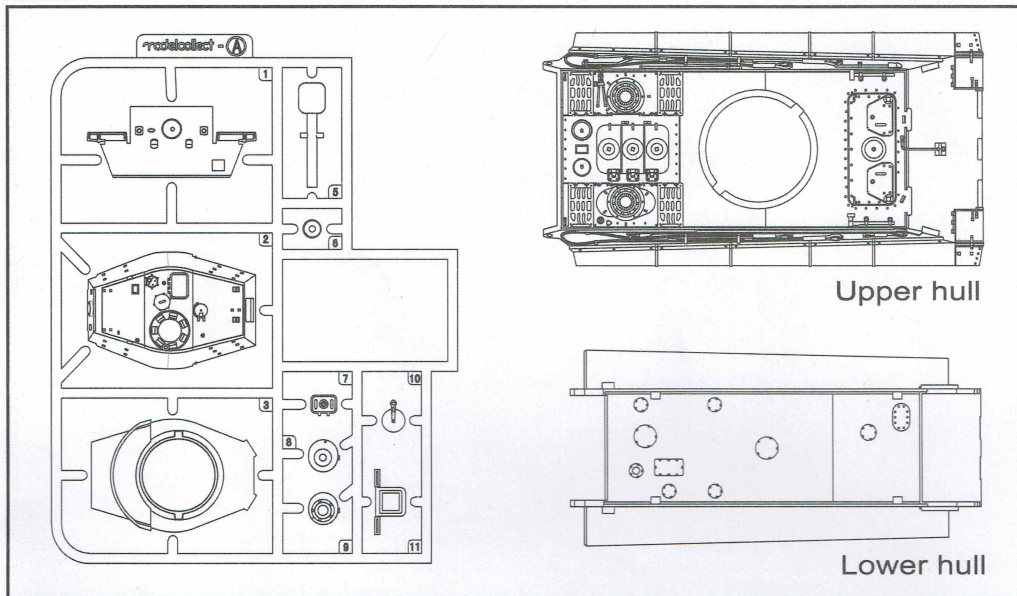
DECAL APPLICATION

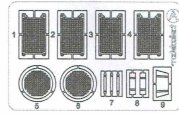
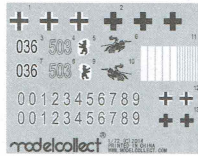
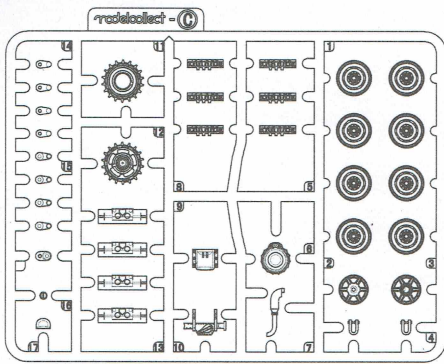
1. Cut off decal from sheet.
2. Dip the decal in tepid water 40° C for about 10 sec. and place on a clean cloth.
3. Hold the backing sheet edge and slide decal onto the model.
4. Move decal into position by wetting decal with finger.
5. Press decal gently down with a soft cloth until excess water and air bubbles are gone.

水贴纸的使用:

1. 从水贴纸上剪下印花。
2. 将印花放入温水中浸10秒, 然后放在干净布上。
3. 拿着印花纸板将印花移到模型上。
4. 手指蘸水将印花移到适当的位置。
5. 用软布轻压印花直至不干, 气泡消失。

Parts





Decal

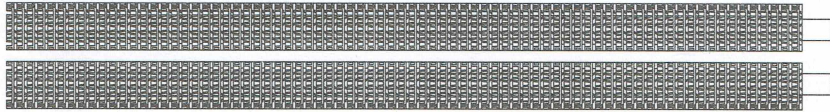
PE



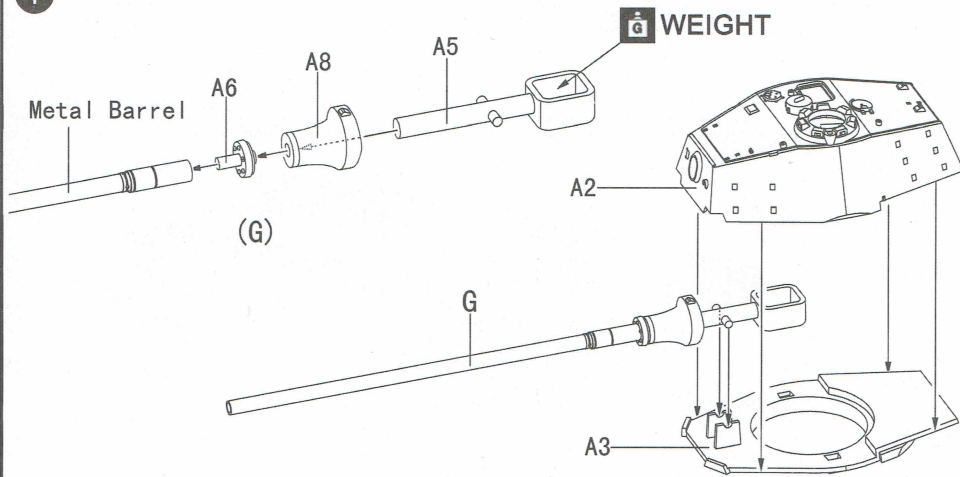
Metal Barrel

Cx2

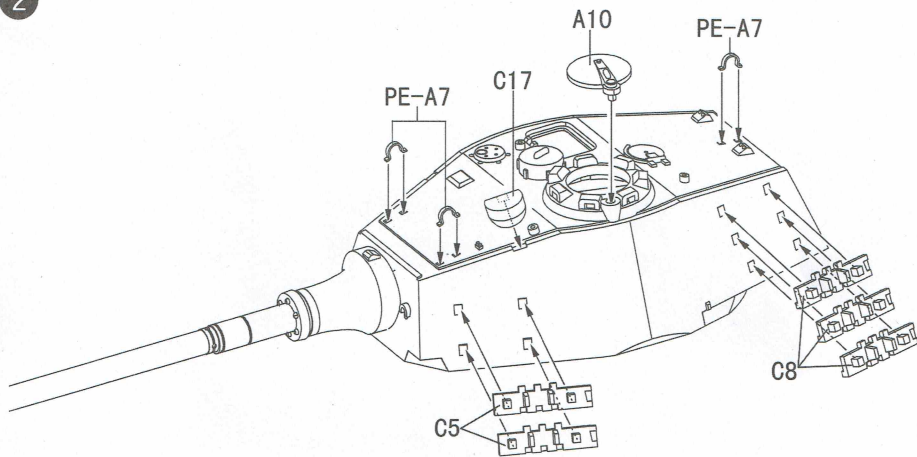
Track



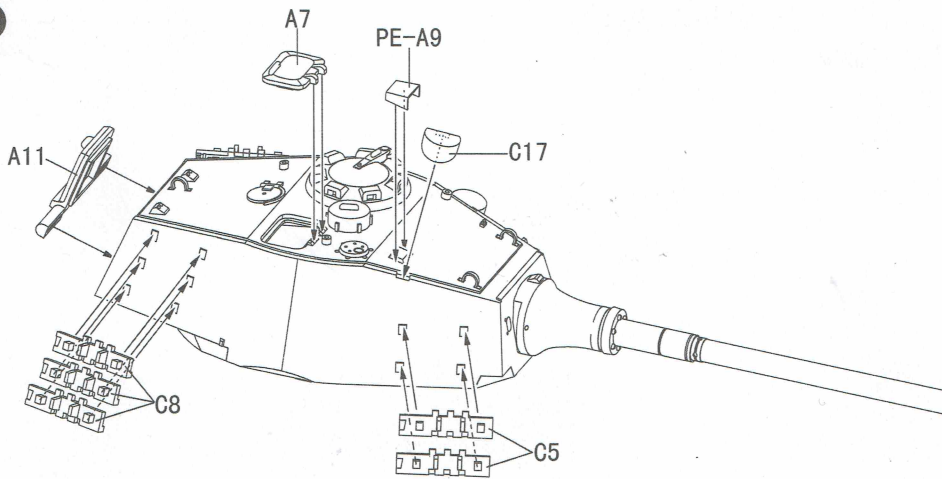
1



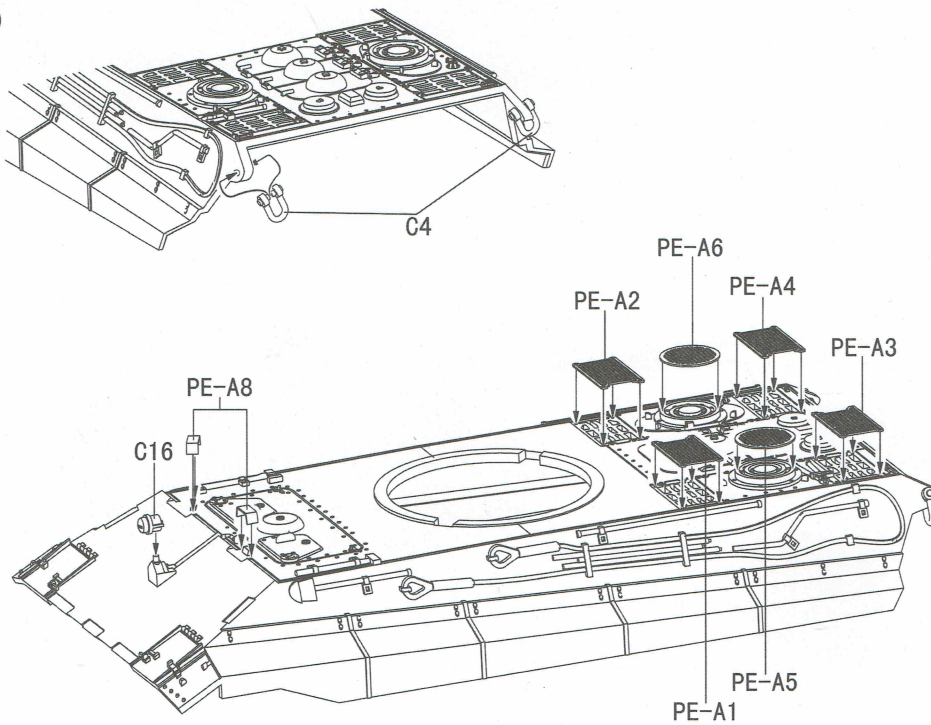
2



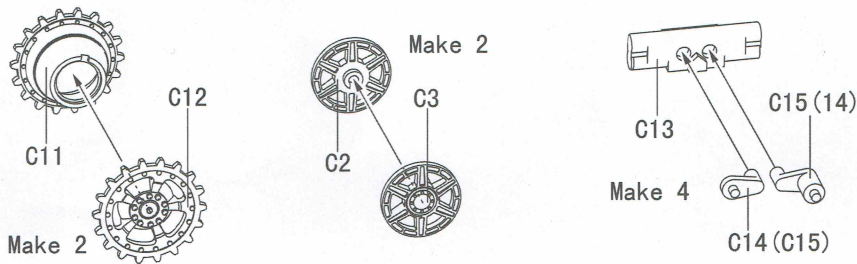
3



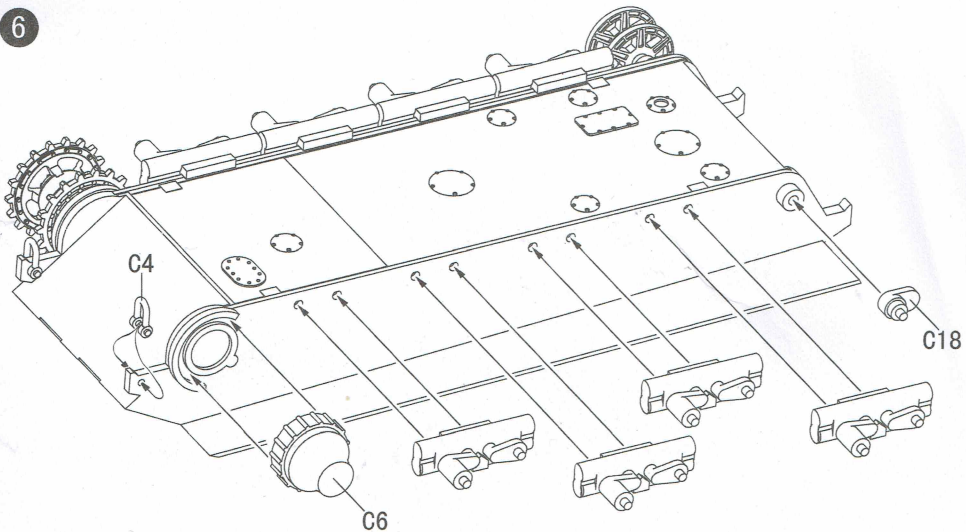
4



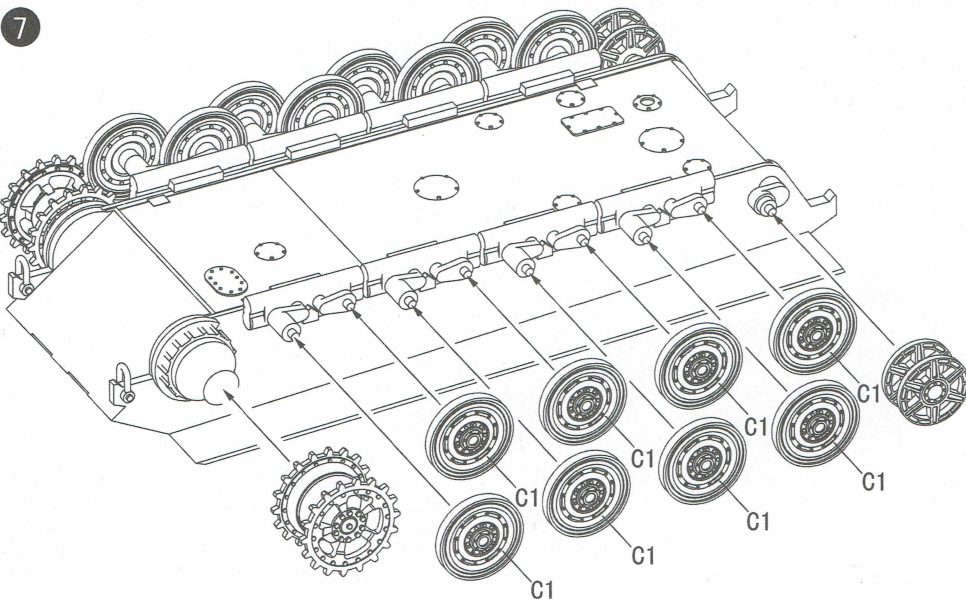
5



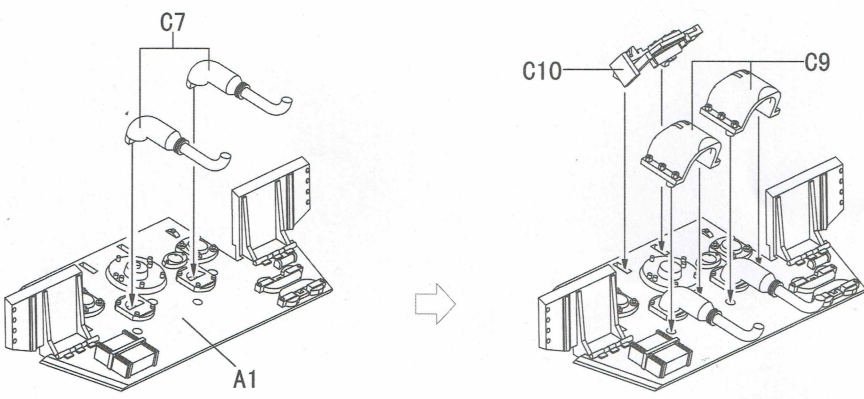
6



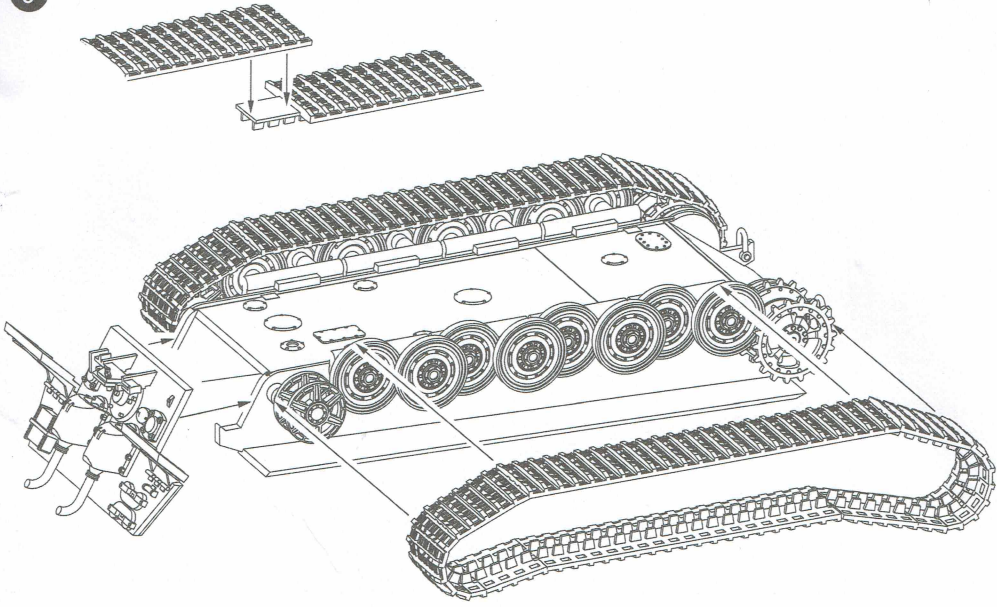
7



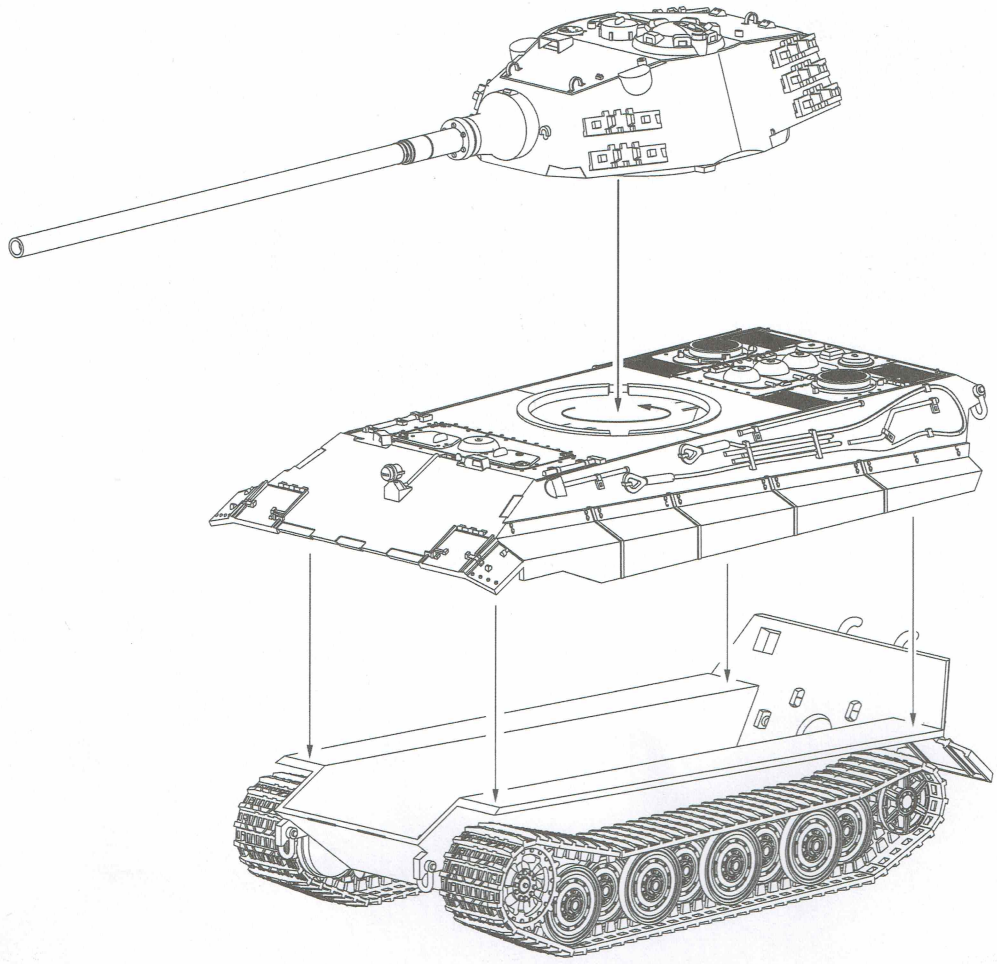
8



9



10



5

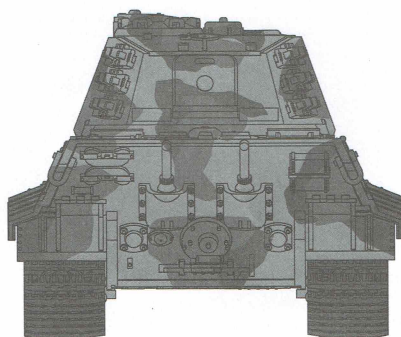
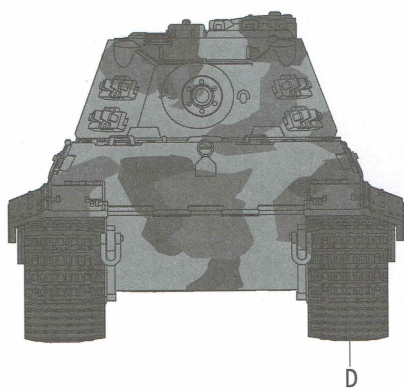
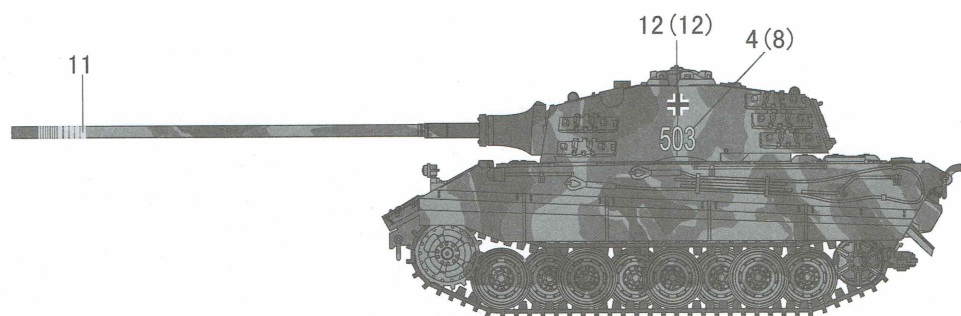
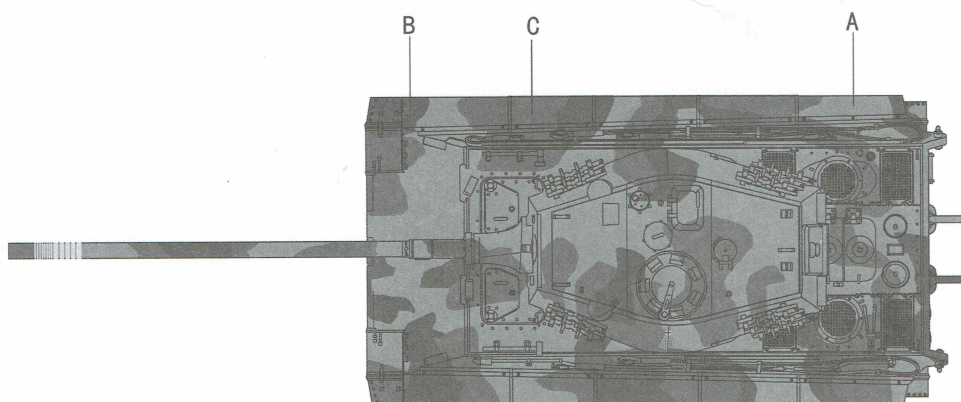
Painting & Marriing guide

涂装同标贴指示

PAINT REFERENCE COLOUR

Color	Mr.Hobby		
RLM Sand Brown(砂褐)	H 66	19	A
Red Brown(红褐)	H 47	41	B
Green(绿)	H 303	303	C
Flat Black(消光黑)	H 12	33	D

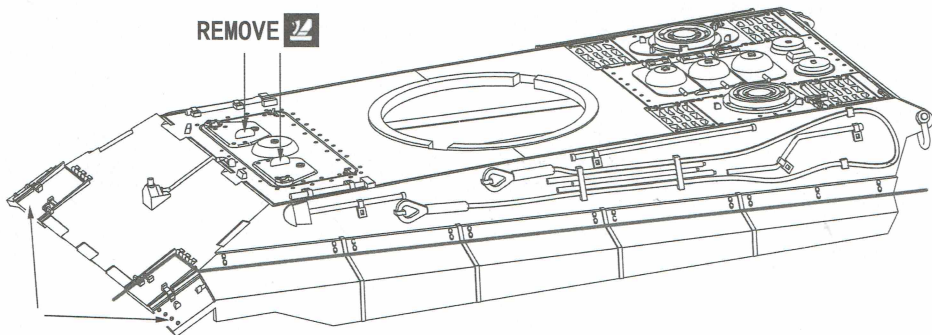
Germany WWII E-75 Heavy Tank with 88 gun



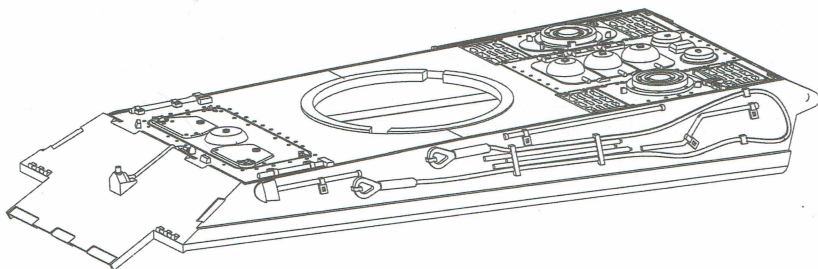
This part is only for Ultra Ver.

1

REMOVE 

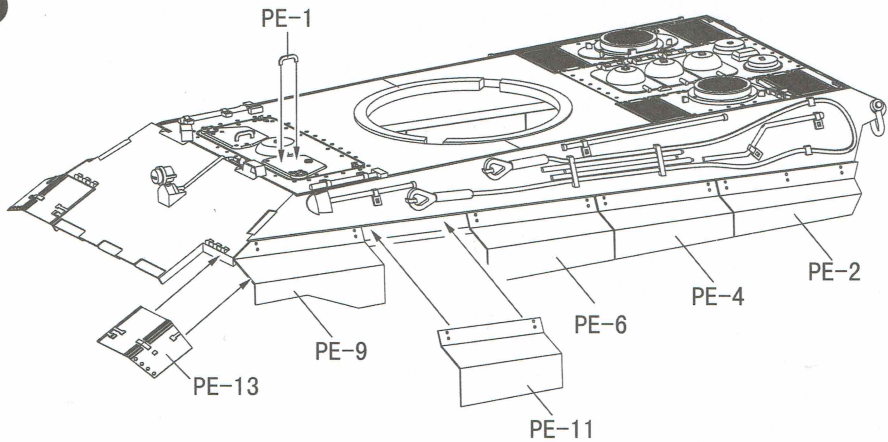


BOTH SIDE REMOVE 

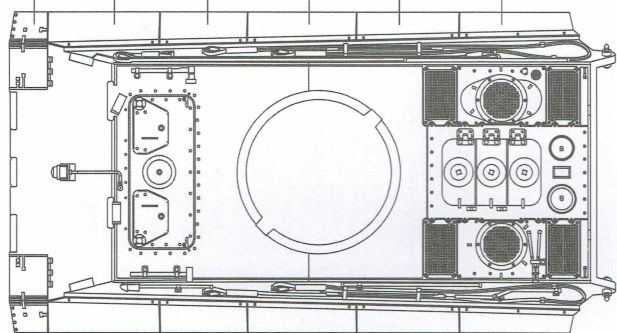


2

PE-1

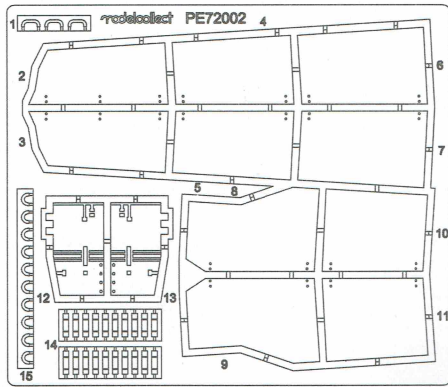
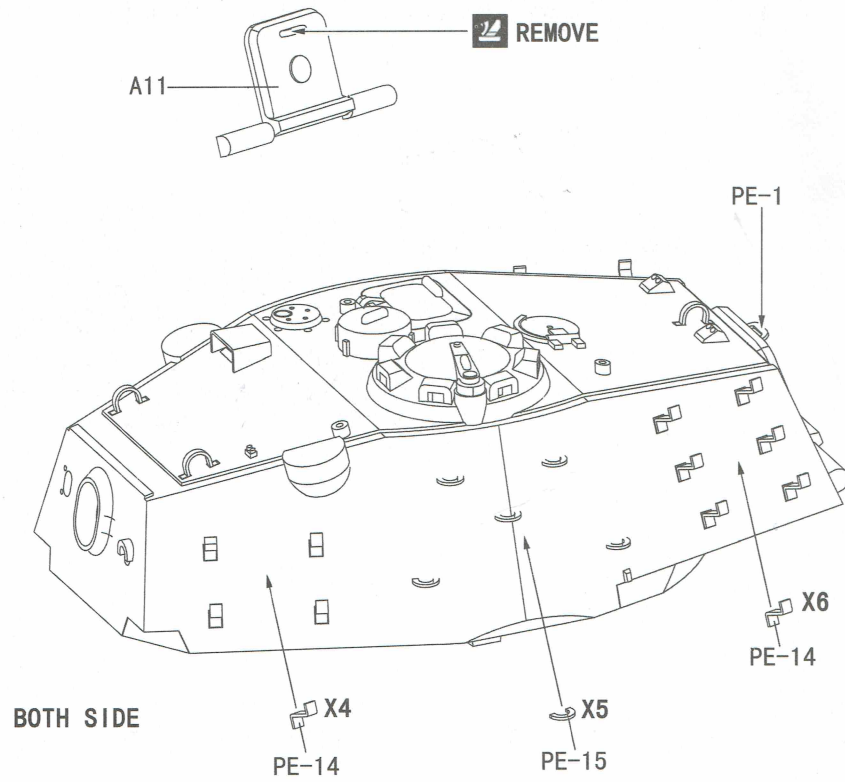


PE-12 PE-8 PE-10 PE-7 PE-5 PE-3



7

3 This step is only for E 75 tank



This part is only for Ultra Ver.