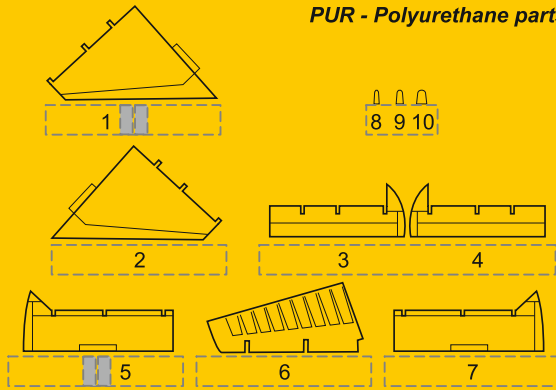


7432
1/72

**A-4B/P/Q Skyhawk
Control Surfaces**
for Airfix kit



PUR - Polyurethane parts



© Special Hobby 2020

Díly ohnuté popř. pokroucené vlivem teplotních změn a stárnutí materiálu, mohou být narovnaný do požadovaného tvaru pomocí proudu teplé vody nebo vzduchu (fén na vlasy).

Parts slightly distorted and bent owing to temperature changes or due to material ageing can be straightened to requested shape by hot water or hot air jet. (hair dryer)

This process can be repeated till result is entirely satisfactory.

K lepení použít kyanoakrylátové lepidlo!
Use cyanoacrylate (super) glue!

Kontaktní plochy doporučujeme před lepením odmastit.

It is recommended to ungrease the mating surfaces before assembly.

Visit our official website and e-shop at
www.cmkkits.com
www.specialhobby.eu

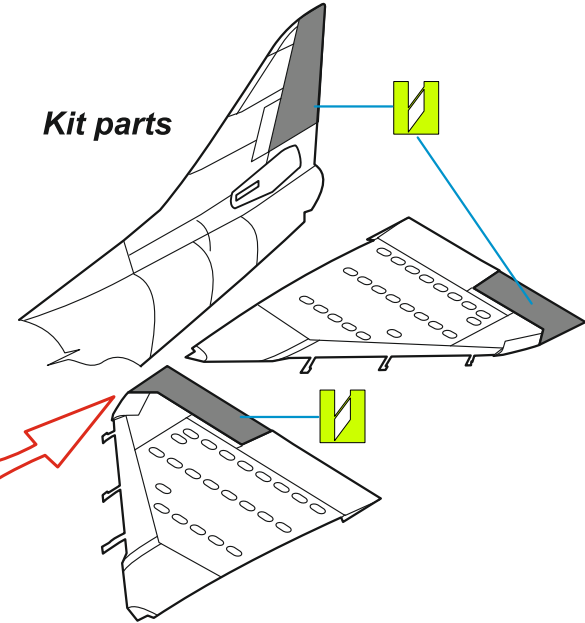


CMK H1010

Our saw holder (cat. n. H1010) is a great tool for cutting both plastic and resin. CMK offers not only the holder but also a wide variety of saws.

Special Hobby, Mezilesí 718, CZ - Praha 9, 193 00, Czech Republic
e-mail: office@specialhobby.eu

Kit parts



<p>OPTIONAL MOŽNOST VOLBY NACH BELIEBEN OPTION</p>	<p>INSTANT CYANOACRYLATE GLUE POUŽITÍ KYANOAKRYLÁTOVÉ LEPIDLO KYANOAKRYLÄTKLEBER ADHESIF CYANOACRYLAT</p>	<p>SYMBOLS</p> <p>BEND OHNOUT BIEGEN COURBER</p>	<p>SCRATCH BUILD ZHOTOVIT NOVÉ FERTIGSTELLEN ACHEVER</p>	<p>CUT OFF/DRILL REZAT/VRTAT ENTFERNEN DETACHER</p>	<p>COLOUR NÁTRIT FARBEN PEINDRE</p>
--	---	---	--	---	---



Other 1/72 Sets

- 7431 A-4B/Q Skyhawk Cockpit for Airfix kit
- Q72314 A-4B/P Skyhawk Mainwheels and Nosewheel (early with spoke type hubs), for Airfix kit
- Q72348 IAF Fouga Magister (and other planes) - IMI 80mm unguided rockets, for SH kit and others
- Q72349 IAF Fouga Magister - IMI 50kg bombs, for SH kit and others
- Q72350 IAF Fouga Magister rocket pods, for SH kit and others
- Q72355 AJ/SK/SH-37 Viggen Control Surface