

7431
1/72

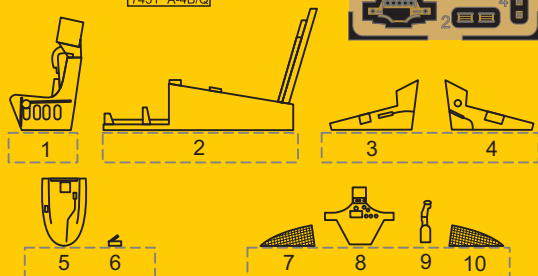
A-4B/Q Skyhawk Cockpit for Airfix kit



Film



PE - Photo-etched parts



PUR - Polyurethane parts

© Special Hobby 2020

7431
1/72

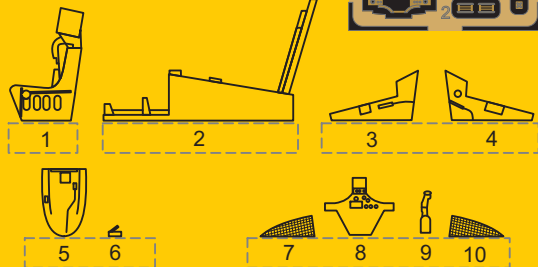
A-4B/Q Skyhawk Cockpit for Airfix kit



Film



PE - Photo-etched parts



PUR - Polyurethane parts

© Special Hobby 2020

Díly ohnuté popř. pokroucené vlivem teplotních změn a stárnutí materiálu, mohou být narovnaný do požadovaného tvaru pomocí proudu teplé vody nebo vzduchu (fén na vlasy).

Parts slightly distorted and bent owing to temperature changes or due to material ageing can be straightened to requested shape by hot water or hot air jet. (hair dryer)

This process can be repeated till result is entirely satisfactory.

K lepení použít kvanoakrylátové lepidlo!

Use cyanoacrylate (super) glue!

Kontaktní plochy doporučujeme před lepením odmastit.

It is recommended to ungrease the mating surfaces before assembly.

Visit our official website and e-shop at
www.cmkkits.com



www.specialhobby.eu



CMK H1010

The Razor Saw with Handle (cat. n. H1010)
is a great tool for cutting both plastic and resin.

CMK also offers a wide variety
of coarse / medium / fine saws.

Special Hobby, Mezilesí 718, CZ - Praha 9, 193 00, Czech Republic
e-mail: office@specialhobby.eu

Díly ohnuté popř. pokroucené vlivem teplotních změn a stárnutí materiálu, mohou být narovnaný do požadovaného tvaru pomocí proudu teplé vody nebo vzduchu (fén na vlasy).

Parts slightly distorted and bent owing to temperature changes or due to material ageing can be straightened to requested shape by hot water or hot air jet. (hair dryer)

This process can be repeated till result is entirely satisfactory.

K lepení použít kvanoakrylátové lepidlo!

Use cyanoacrylate (super) glue!

Kontaktní plochy doporučujeme před lepením odmastit.

It is recommended to ungrease the mating surfaces before assembly.

Visit our official website and e-shop at
www.cmkkits.com



www.specialhobby.eu

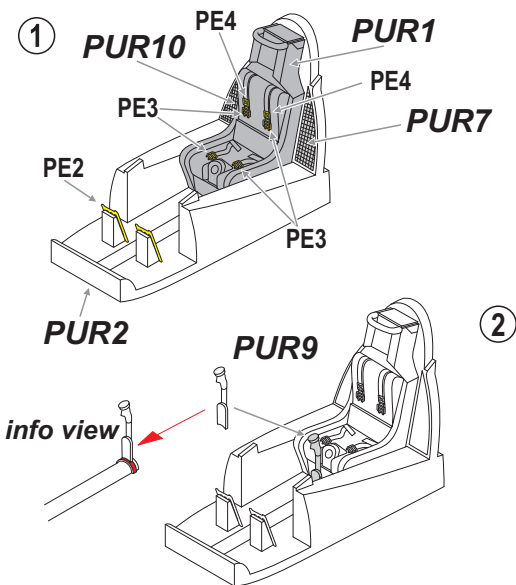
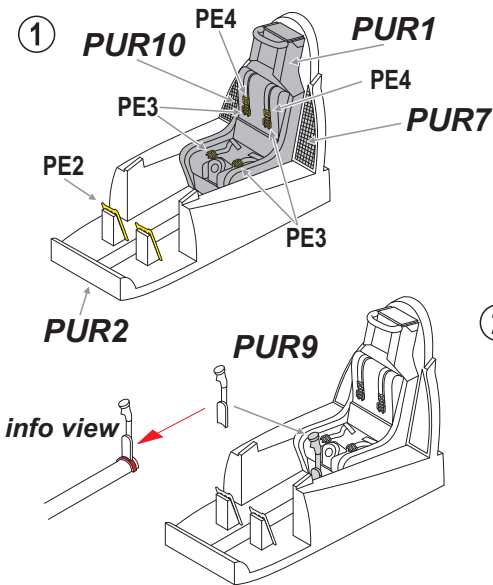


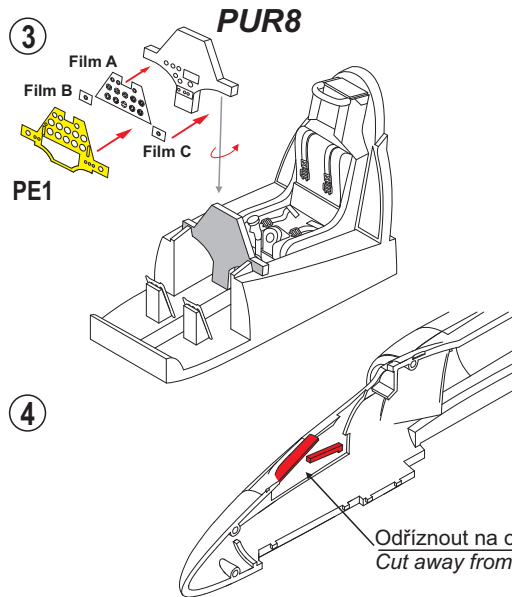
CMK H1010

The Razor Saw with Handle (cat. n. H1010)
is a great tool for cutting both plastic and resin.

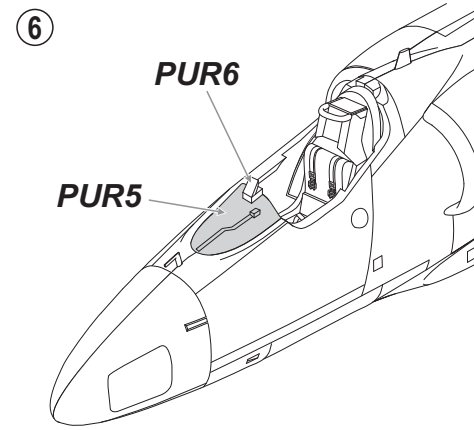
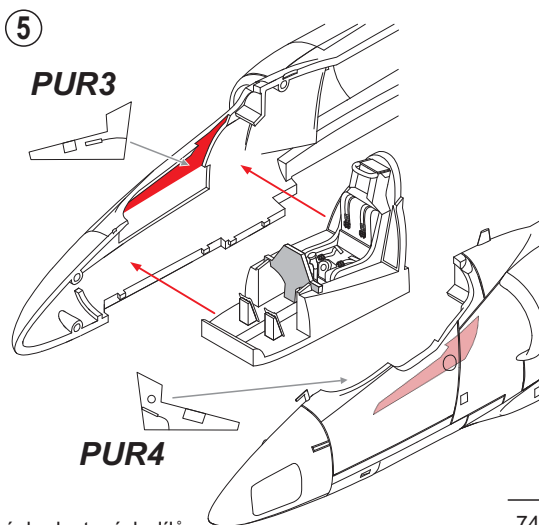
CMK also offers a wide variety
of coarse / medium / fine saws.

Special Hobby, Mezilesí 718, CZ - Praha 9, 193 00, Czech Republic
e-mail: office@specialhobby.eu



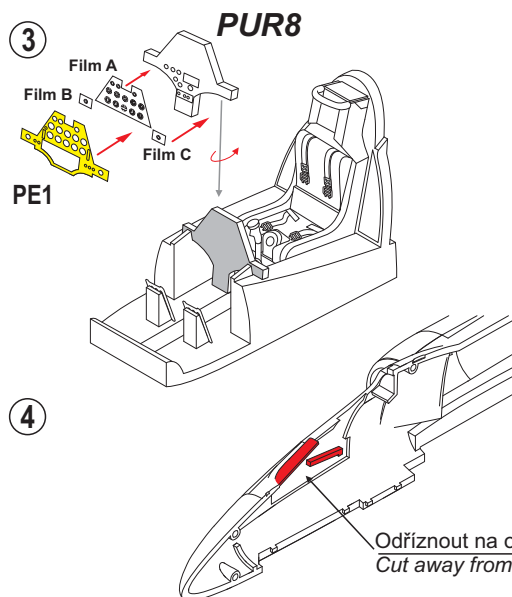


Odříznout na obou stranách plastových dílů
Cut away from both fuselage halves

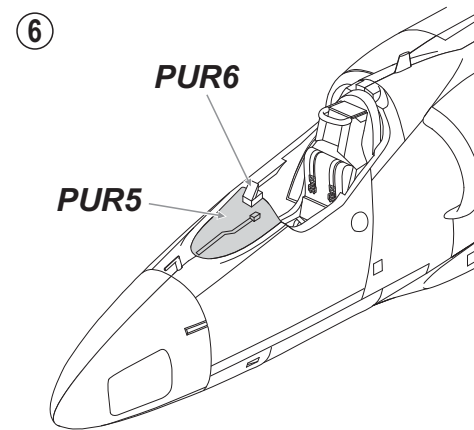
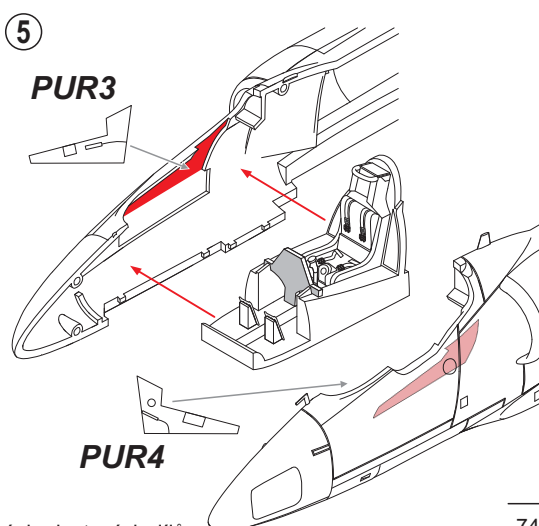


 Other 1/72 A-4 Skyhawk Sets (Airfix kits)

7431 A-4B/Q Skyhawk Cockpit for Airfix kit
Q72314 A-4B/P Skyhawk Mainwheels and Nosewheel (early with spoke type hubs), for Airfix kit



Odříznout na obou stranách plastových dílů
Cut away from both fuselage halves



 Other 1/72 A-4 Skyhawk Sets (Airfix kits)

7431 A-4B/Q Skyhawk Cockpit for Airfix kit
Q72314 A-4B/P Skyhawk Mainwheels and Nosewheel (early with spoke type hubs), for Airfix kit