

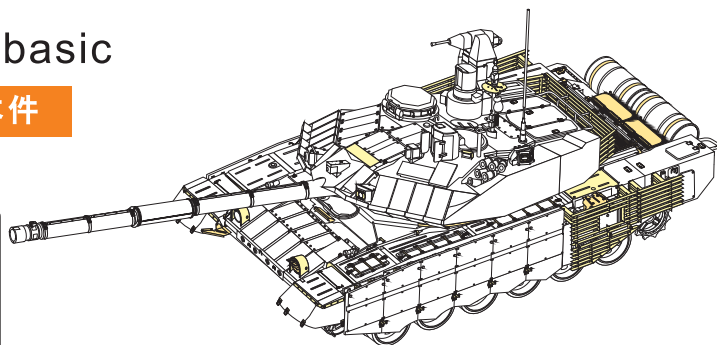
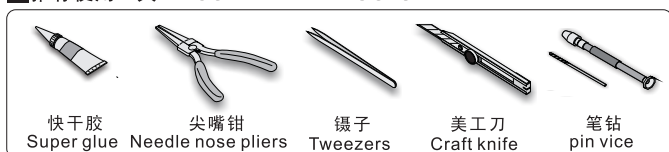
1/35 MILITARY MINIATURE VEHICLE UPGRADE SERIES PE35861










Modern Russian T-90MS MBT basic

现代俄罗斯T-90MS型主战坦克改造基本件

[For TIGERMODEL 4612]

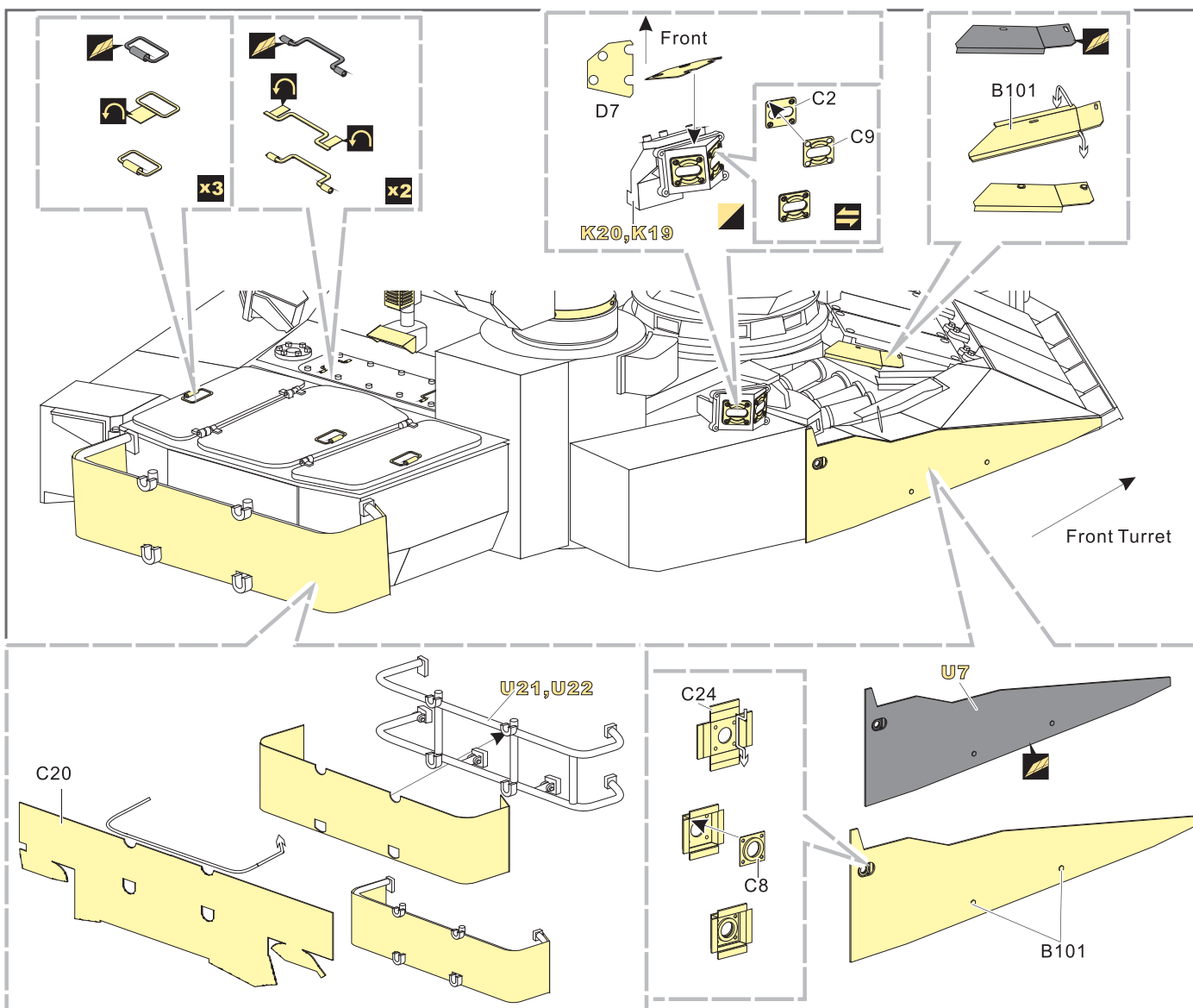
推荐使用工具 RECOMMENDED TOOLS



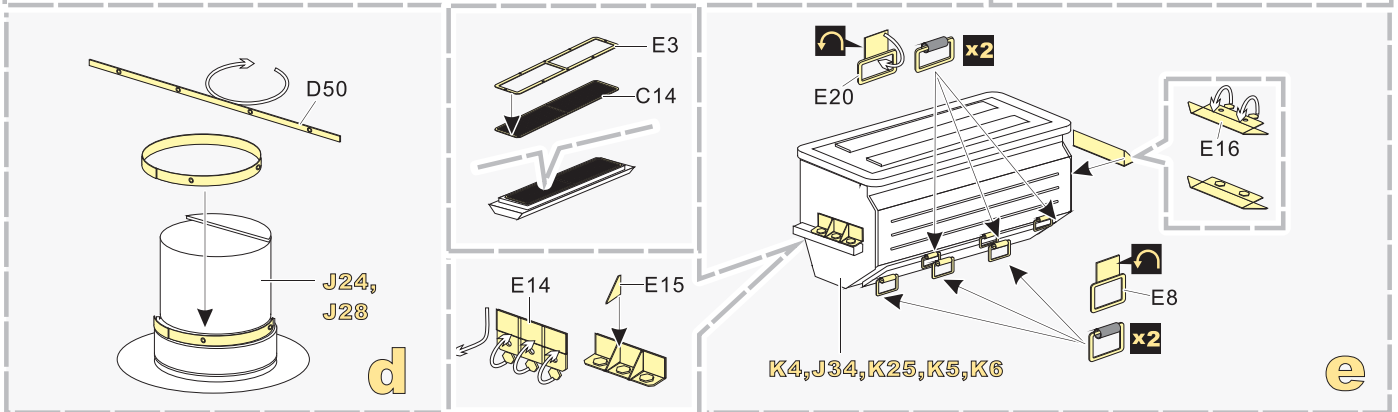
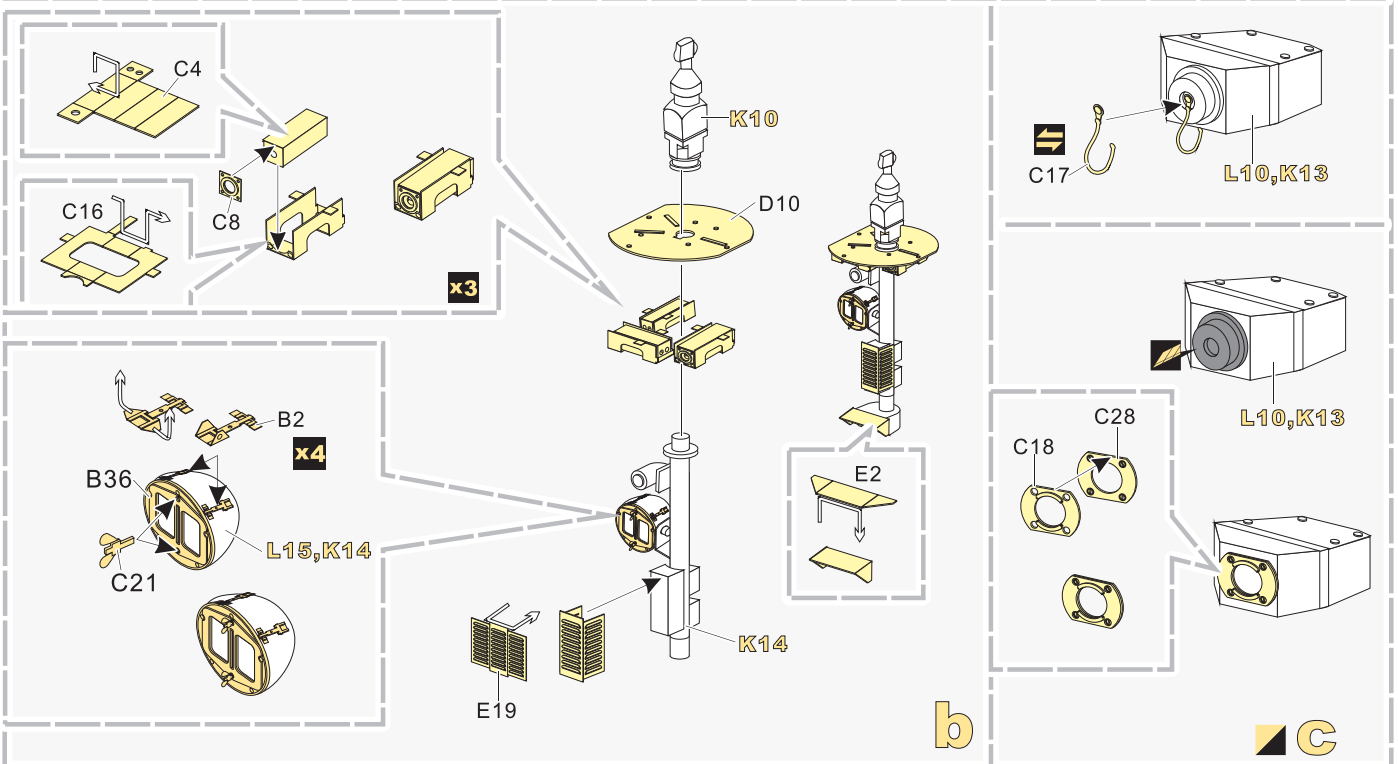
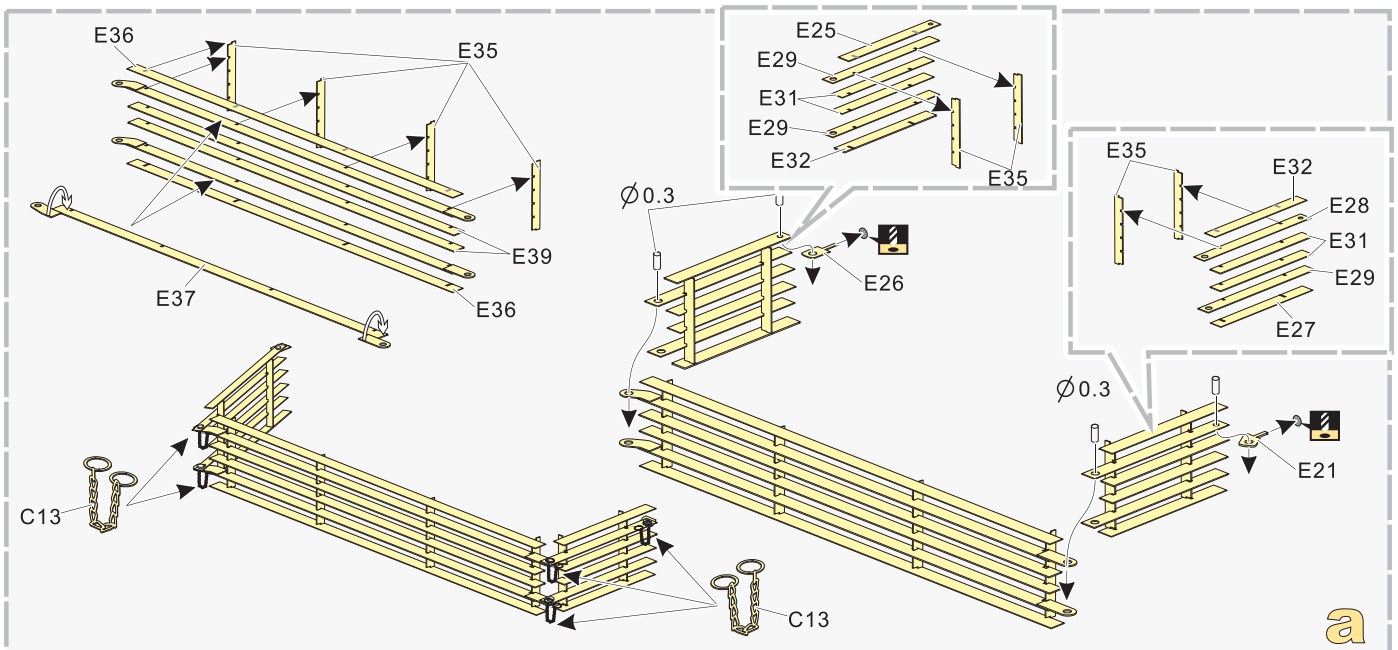
- 
 安装
install
- 
 折叠
bend
- A1**
 改造件零件编号
PE/resin part number
- B12**
 原零件编号
kit part number
- C22**
 被替换的原零件编号
replaced kit part number
- 
 另一侧相同制作
repeat on opposite side
- 
 切除
remove
- 
 打磨
grind off
- 
 弧度卷曲
radial bending
- x2**
 制作若干组
multiple assembly
- 
 选择安装
alternative
- 
 钻孔
drill
- 
 用胶棒制作
make from plastic rod


 用尖端在凹槽处冲压
use penpoint to press on the dent

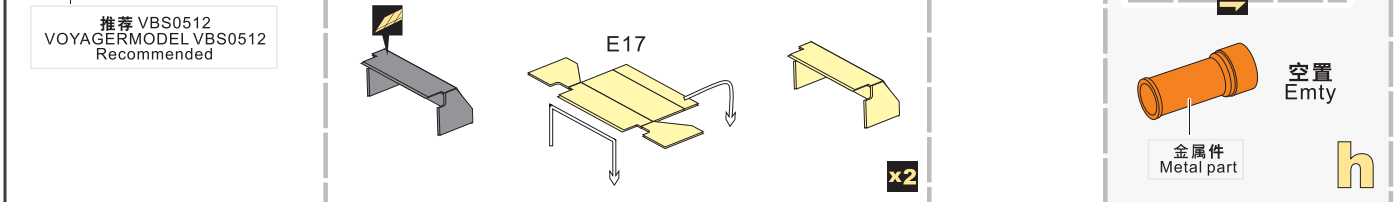
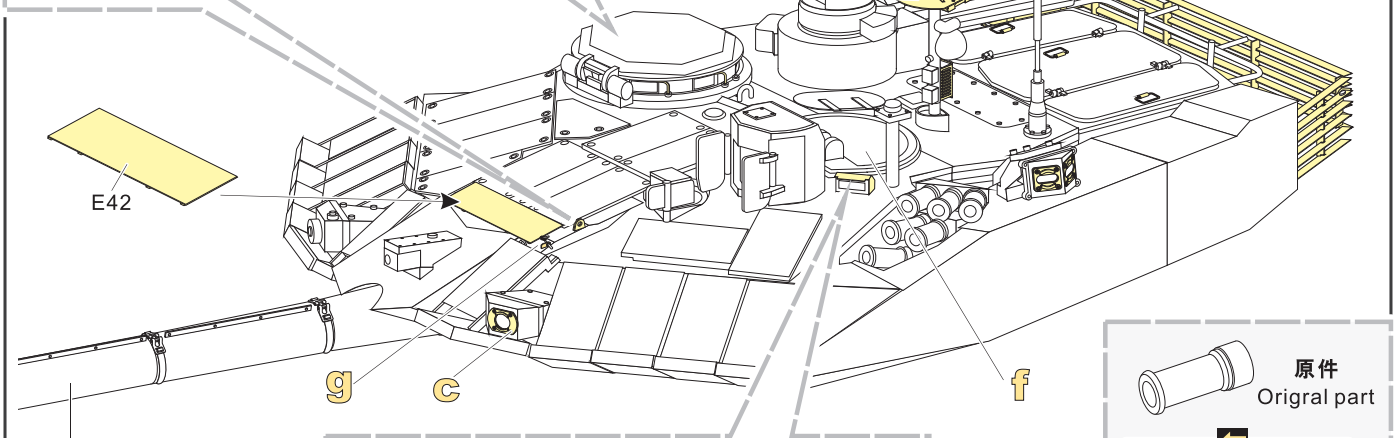
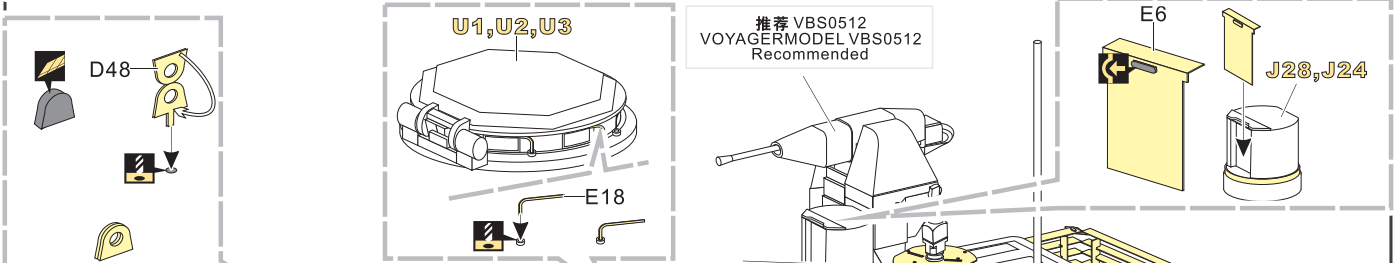
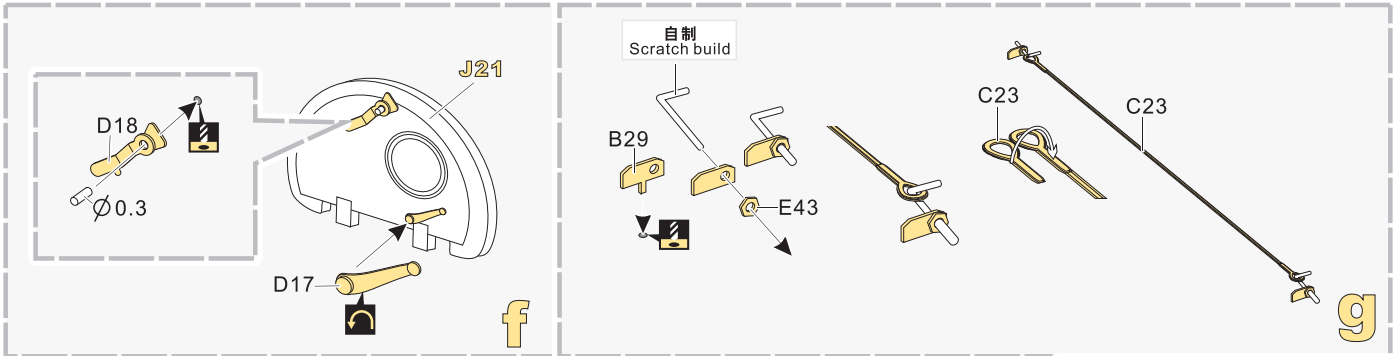
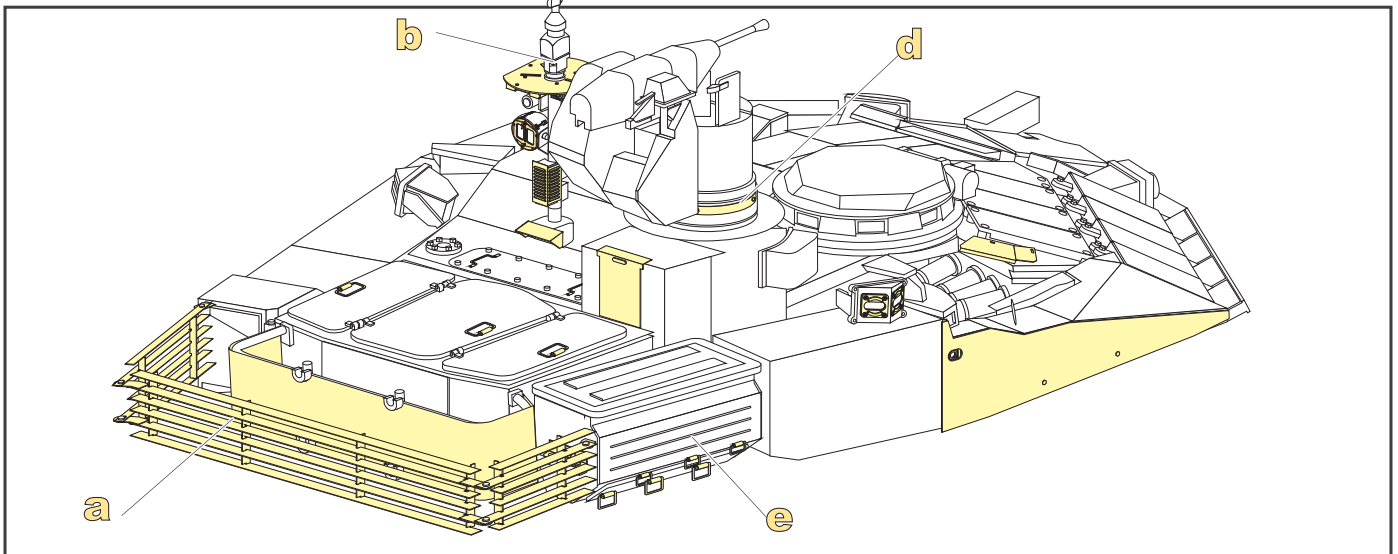
蚀刻片零件内侧面向上
Put the part upside down
 用笔尖在凹槽处刺
Use penpoint to press on the dent

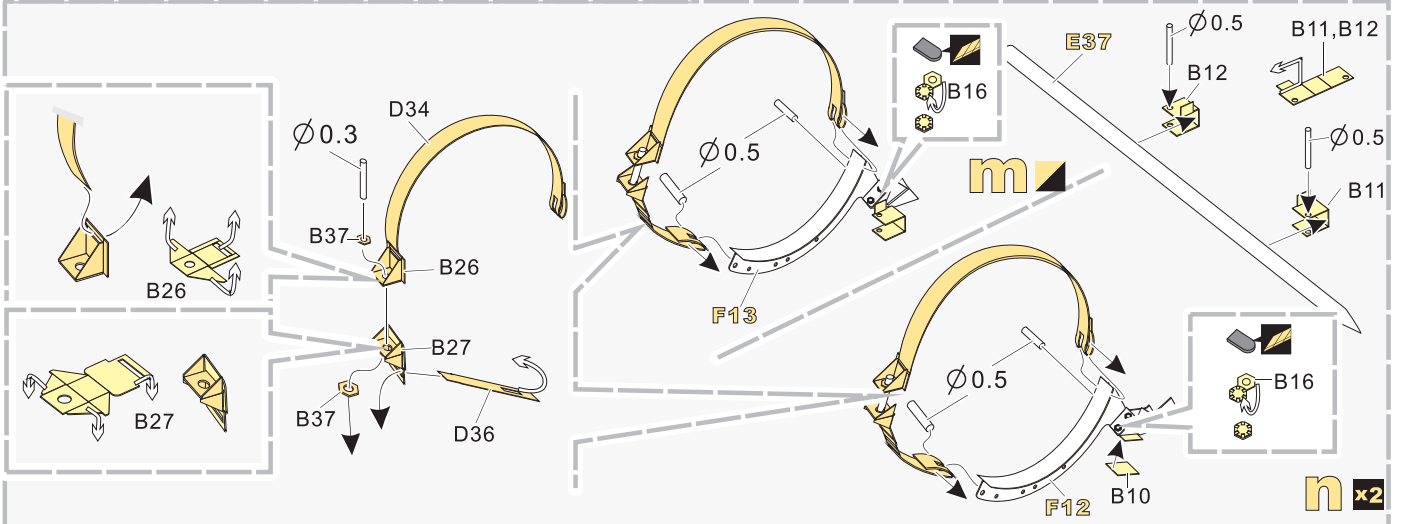
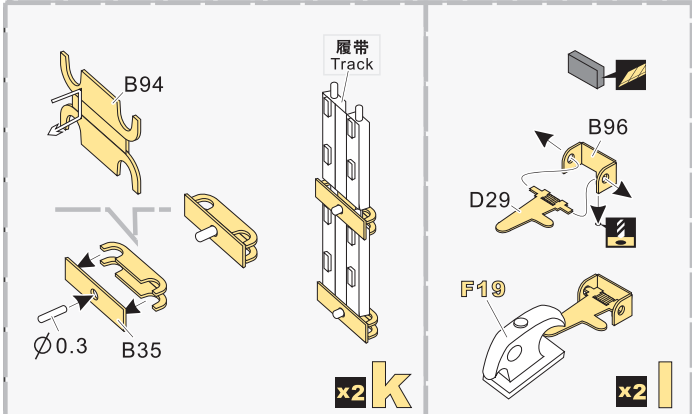
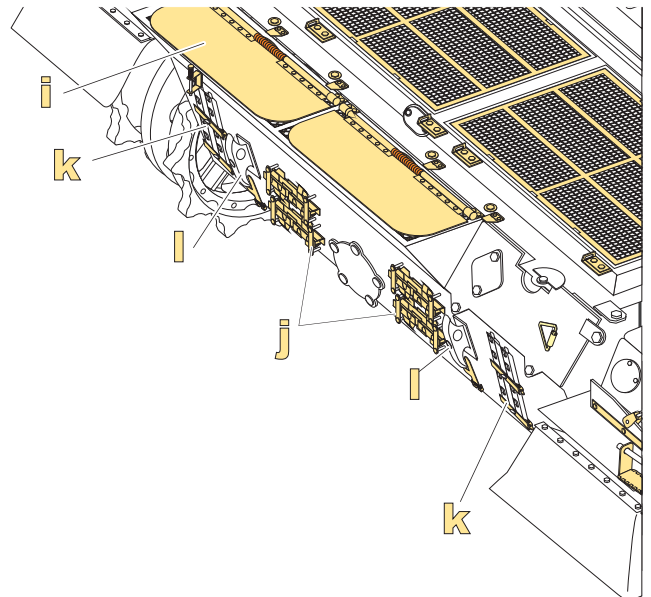
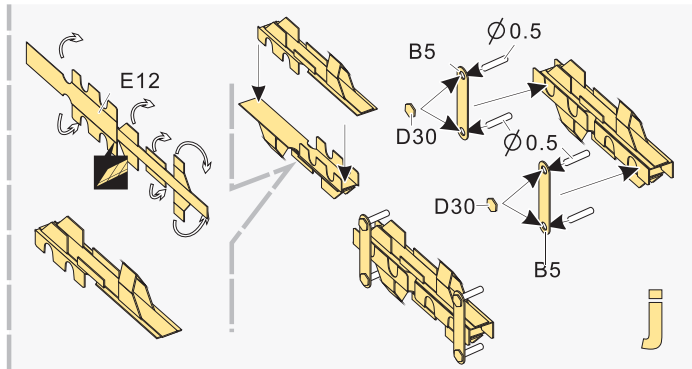
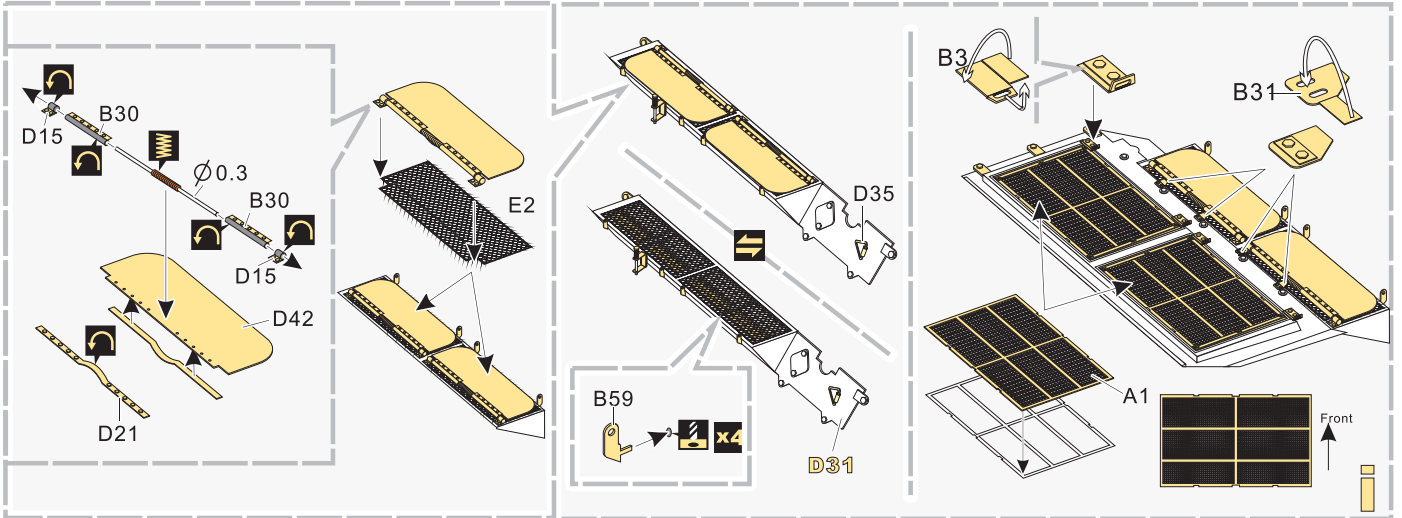
1/35 MILITARY MINIATURE VEHICLE UPGRADE SERIES PE35861



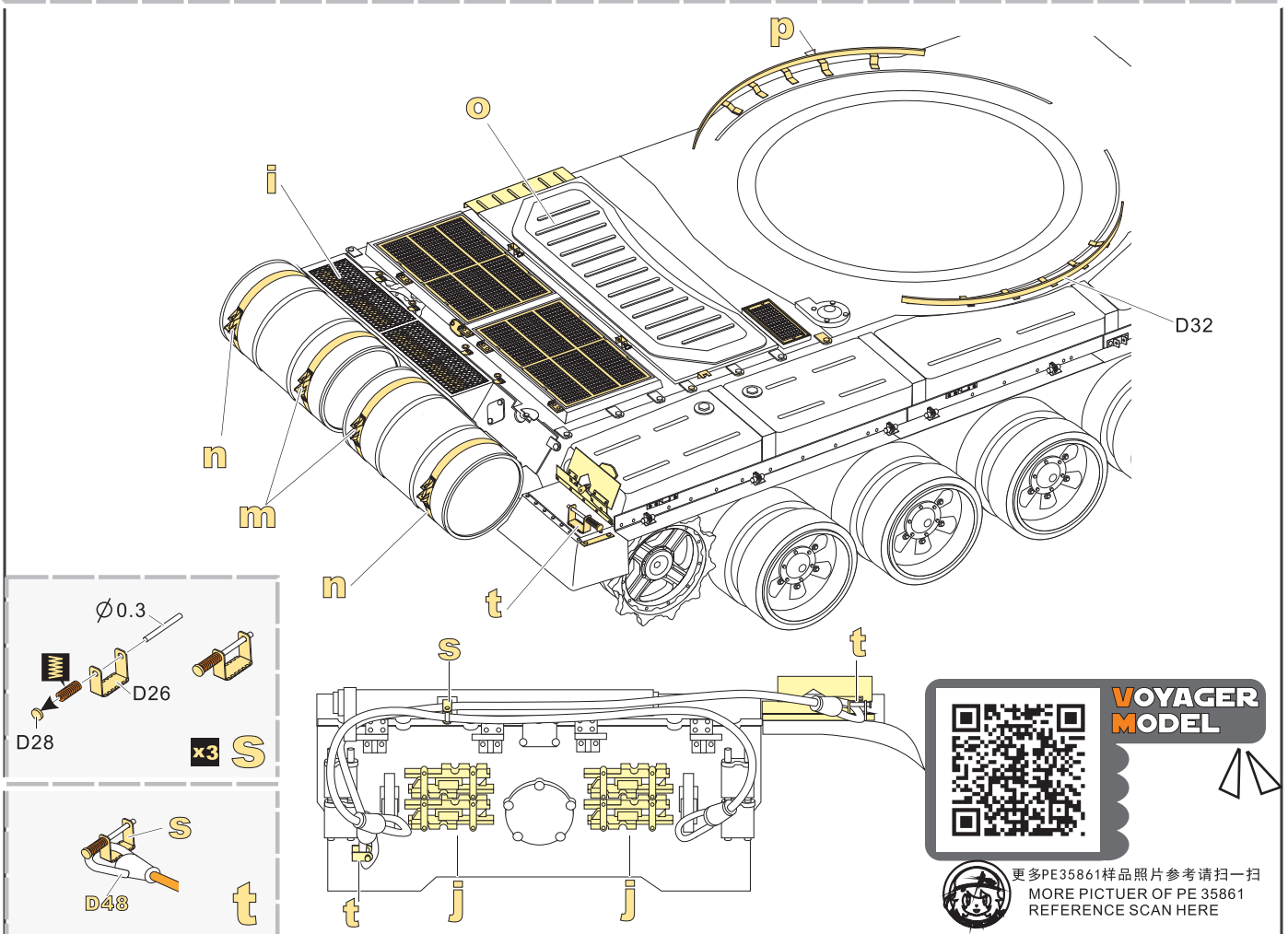
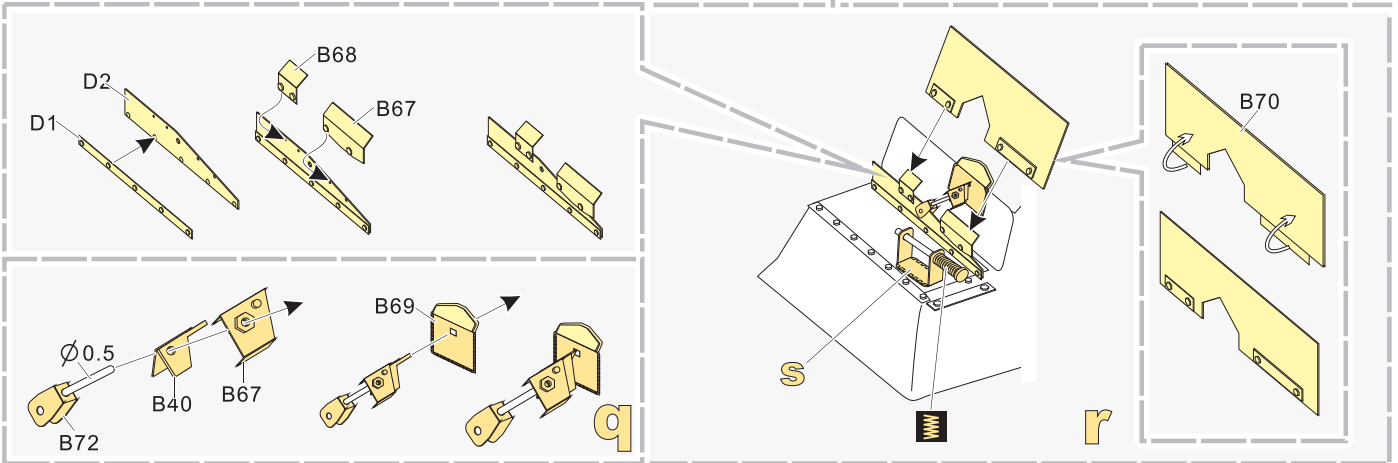
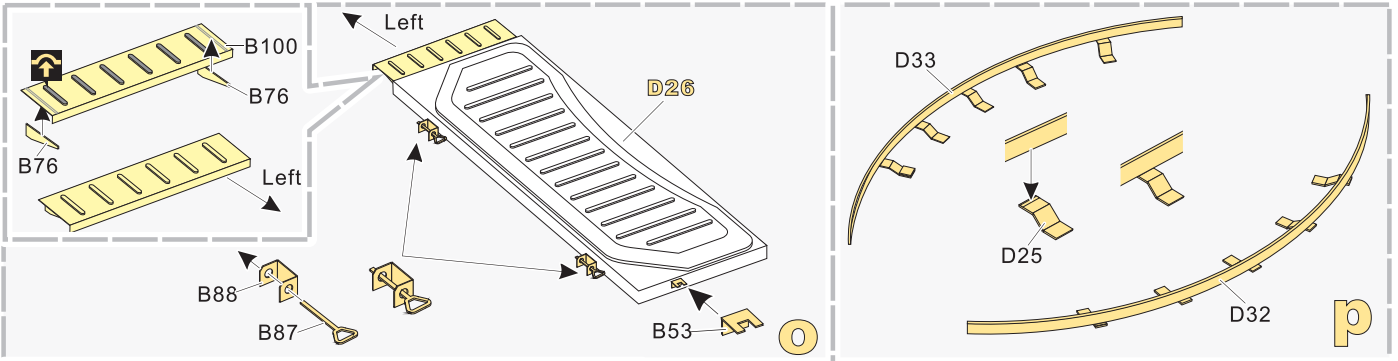
1/35 MILITARY MINIATURE VEHICLE UPGRADE SERIES PE35861



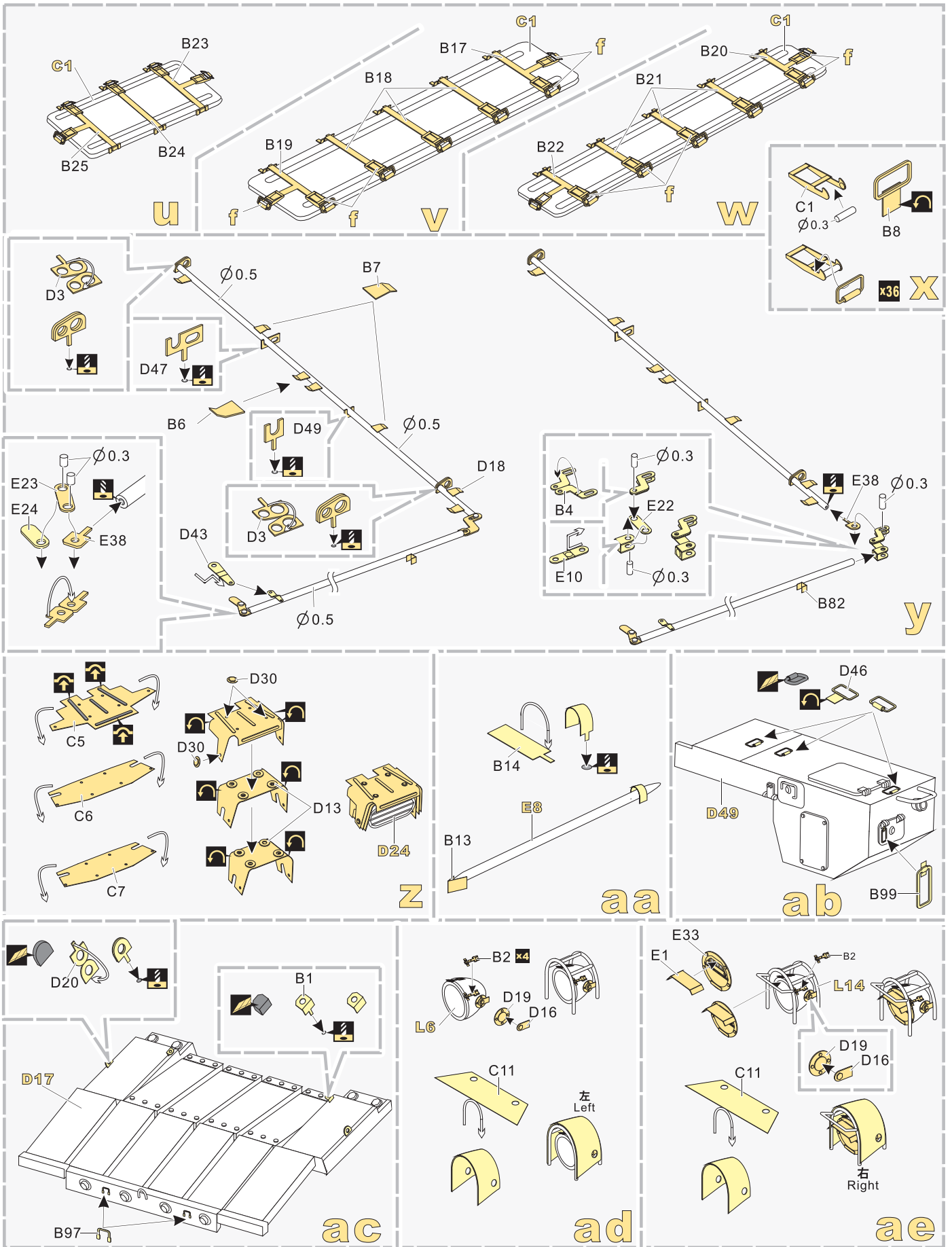
1/35 MILITARY MINIATURE VEHICLE UPGRADE SERIES PE35861



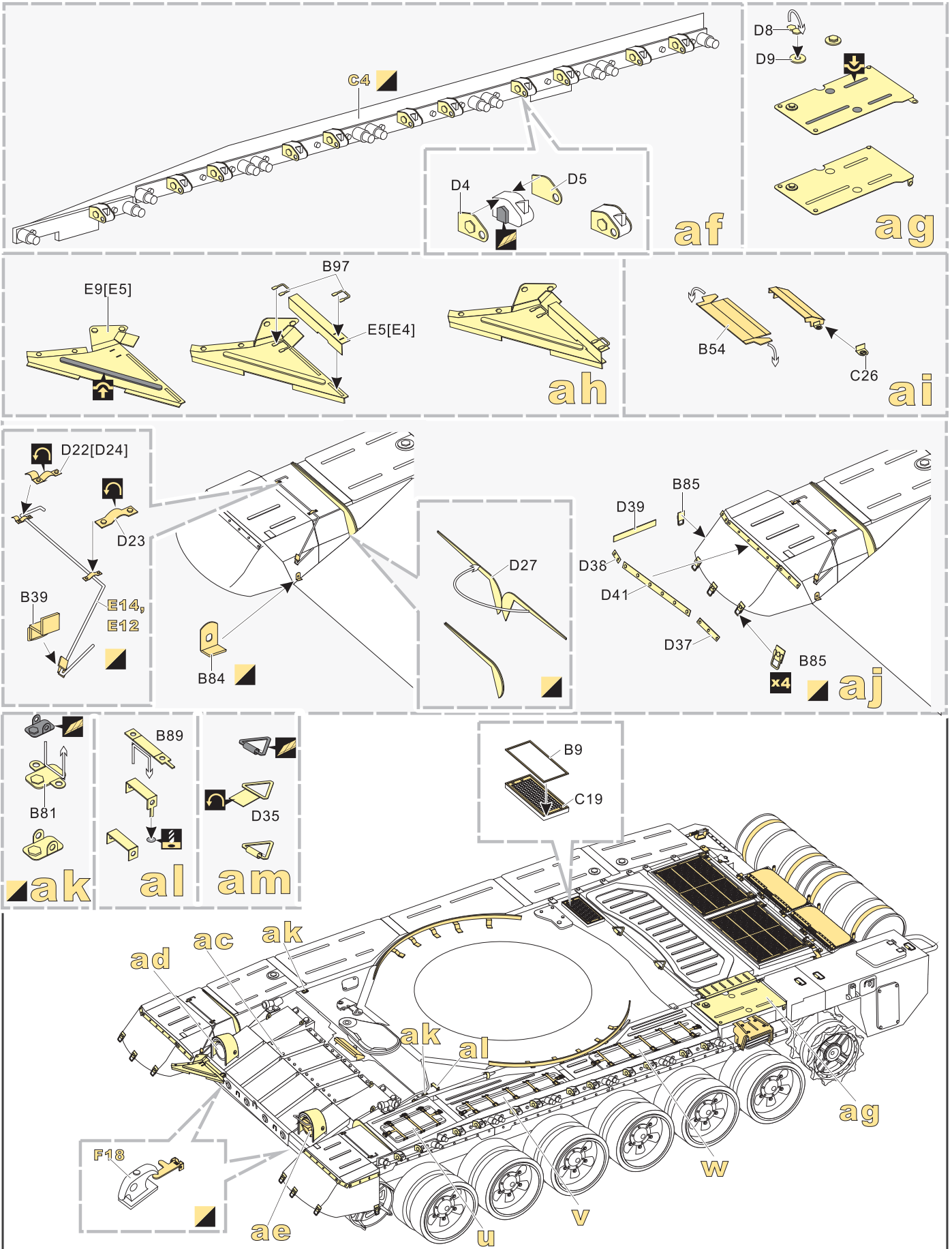
1/35 MILITARY MINIATURE VEHICLE UPGRADE SERIES PE35861



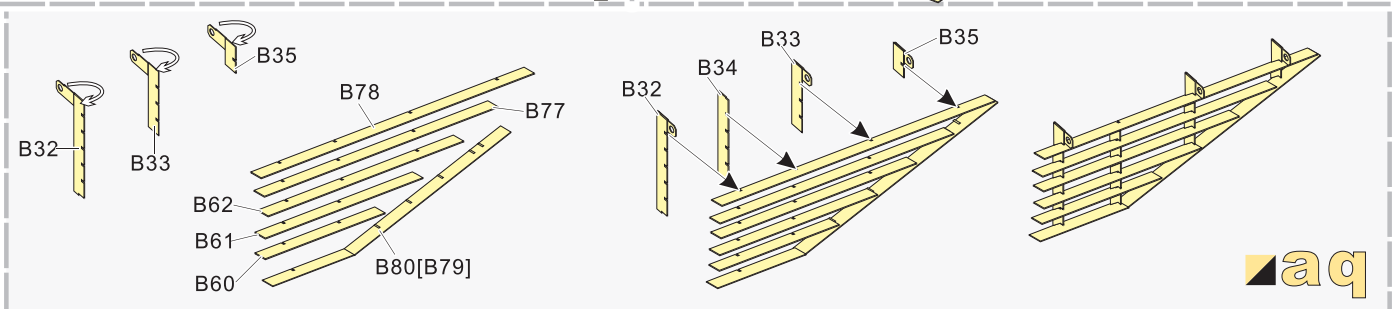
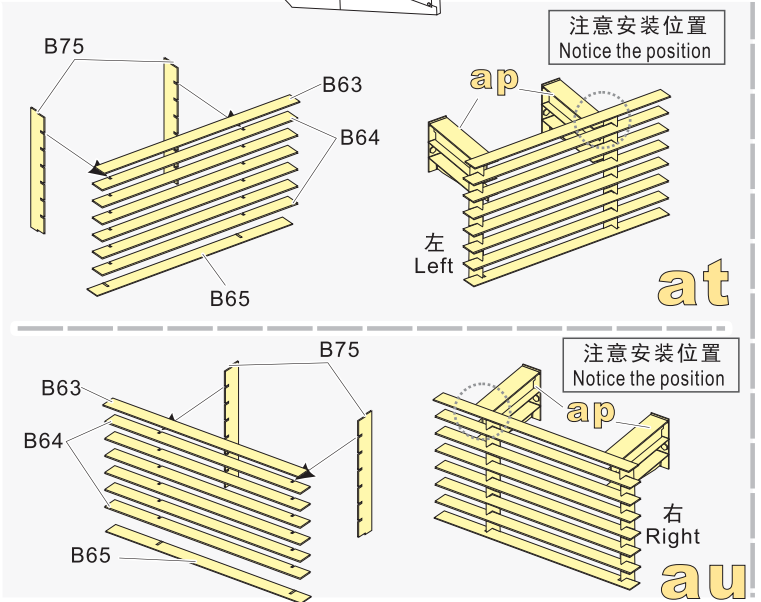
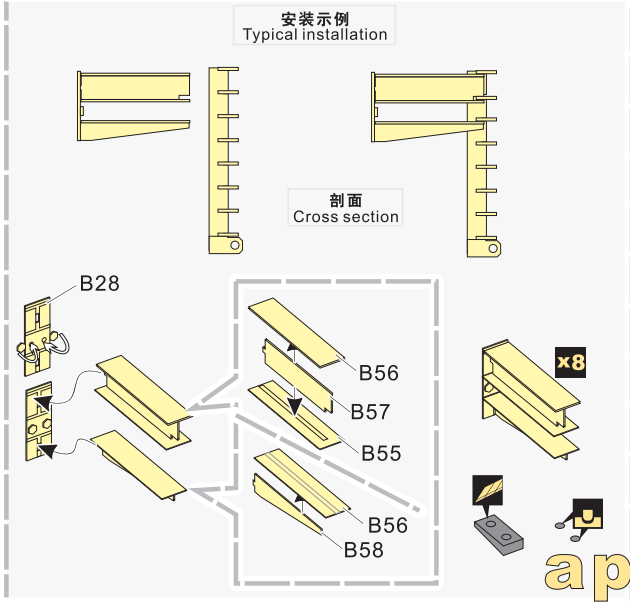
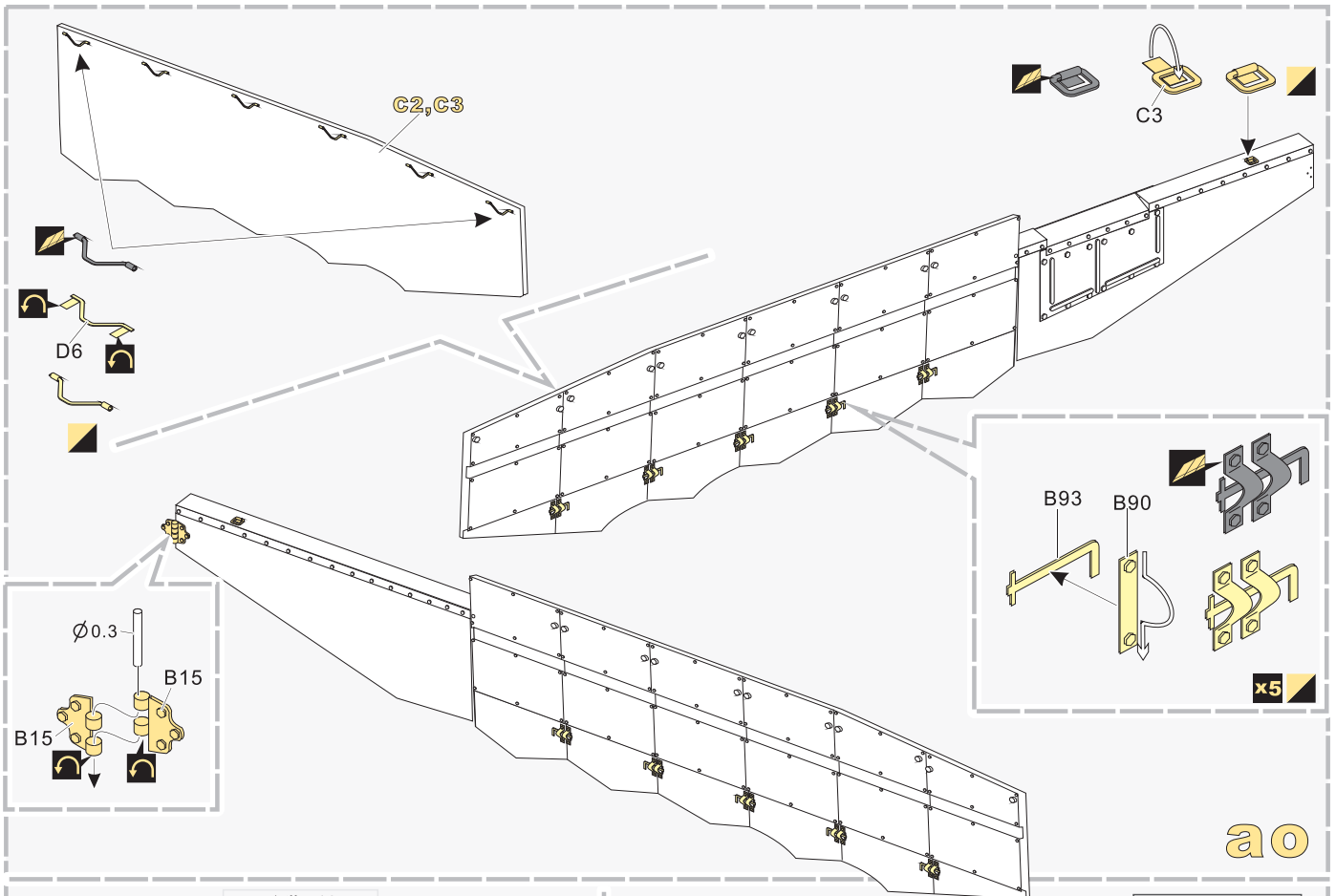
1/35 MILITARY MINIATURE VEHICLE UPGRADE SERIES PE35861



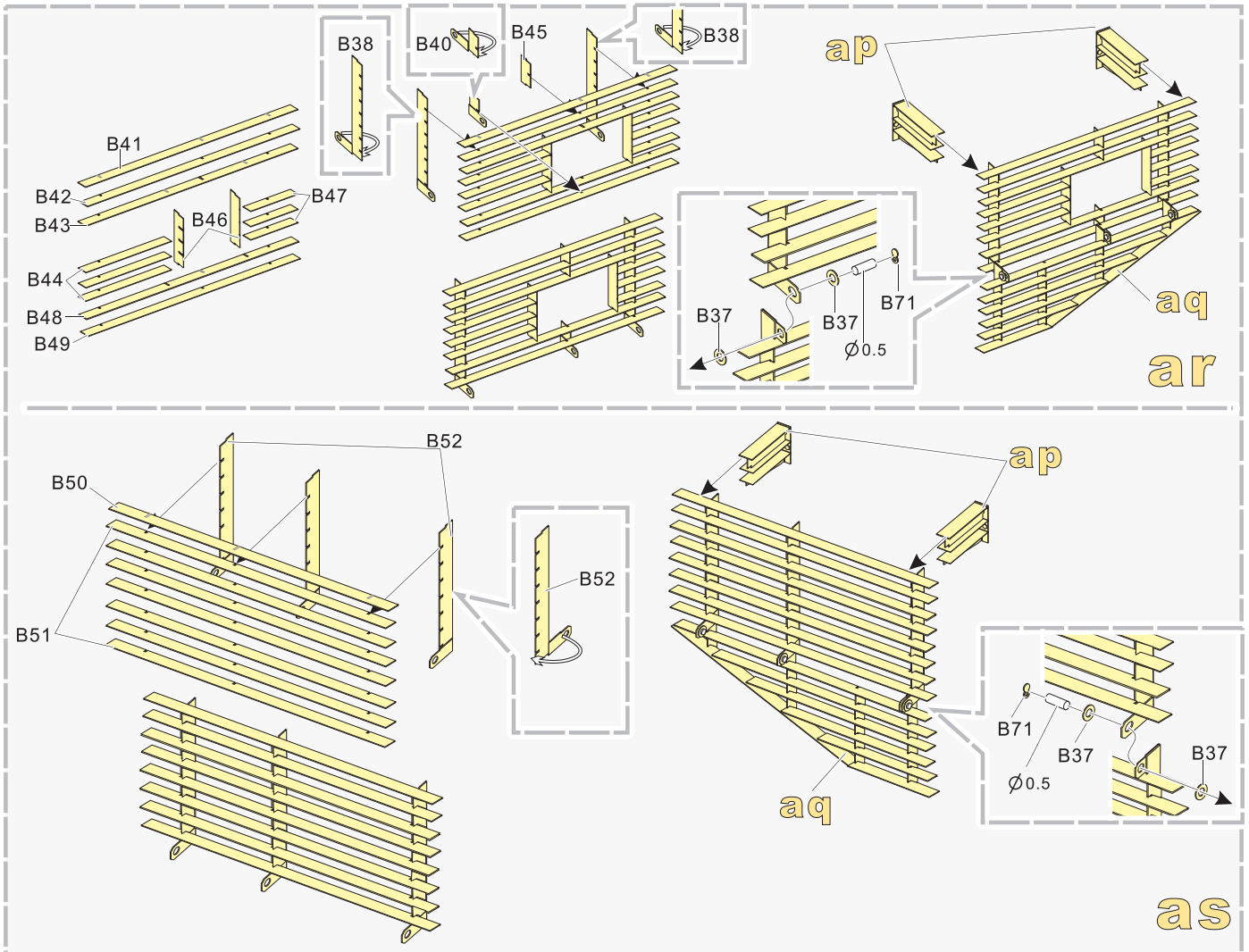
1/35 MILITARY MINIATURE VEHICLE UPGRADE SERIES PE35861



1/35 MILITARY MINIATURE VEHICLE UPGRADE SERIES PE35861



1/35 MILITARY MINIATURE VEHICLE UPGRADE SERIES PE35861



VOYAGERMODEL[®] 无微不至 极致享受
The Best Upgrade Solution

Recommended item

PE 35860	Modern Russian BMPT-72 Fire Support Combat Vehicle
PE 35599	Modern Russian T-90 MBT basic
PE 35716	Modern Russian Kurganets-25 BTR Basic
PE 35717	Modern Russian Bumerang IFV Basic
PE 35854	Modern Russian T-14 Armata MBT basic
PE 35814	Modern Russian T-14 Armata MBT basic
VBS0512	Modern Russian 125mm (2A46M-5) Barrel (T-90MS used)

