

This detail set is manufactured from photo etched brass sheet and is meant for use on the 1:72nd scale Airfix S.2B Buccaneer model kit.

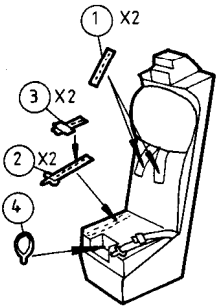
Use a sharp modelling knife or scalpel to separate components ensuring this is done on a firm surface as near to the part as possible. Tag scars can be cleaned by holding part firmly in pliers and using a fine file. To fold part, support up to line of fold and fold in one go, holding part in pliers and using blade of screwdriver to fold.

For assembly use superglue or epoxy. Only use epoxy to fix brass to clear parts. Before painting fully deflux part by cleaning in washing up liquid and rinsing in clean water. Dry parts thoroughly and prime with self etching primer, or white or grey enamel.

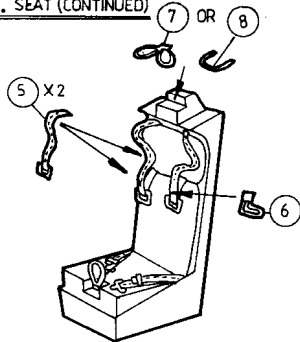
Position of parts in diagrams are for guidance only. Colouring and final positioning should be checked against reference material. We recommend Aeroguide No.5 available from E.D. Models.

Illustrations and components designed by Keith Melville, sets manufactured in Birmingham, England for E.D. Models, 64 Stratford Road, Shirley, Solihull, West Midlands B90 3LP, England. Telephone 021-744-7488.

1. SEAT (X 2)



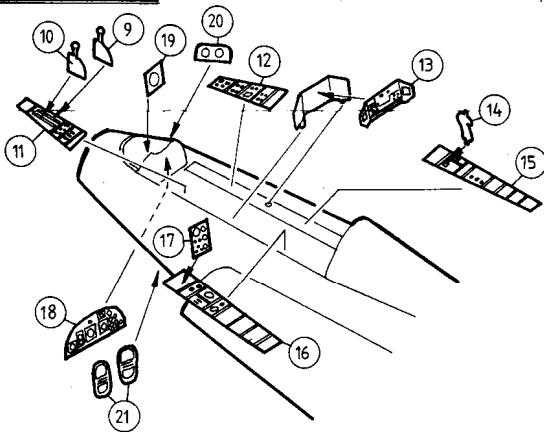
2. SEAT (CONTINUED)



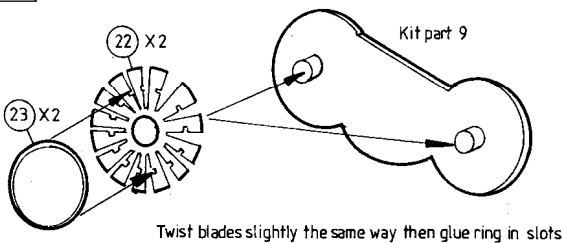
Alternative seats such as manufactured by Harrier or Aeroclub can be used.

3. COCKPIT INTERIOR

Back parts 17, 19 & 20 with black plasticard.

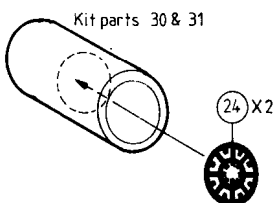


4. FANS

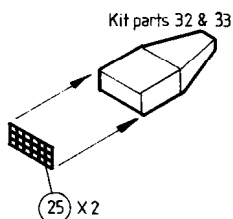


Twist blades slightly the same way then glue ring in slots

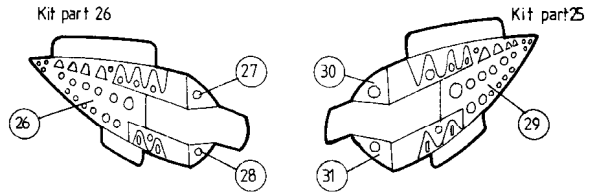
5. JET PIPES



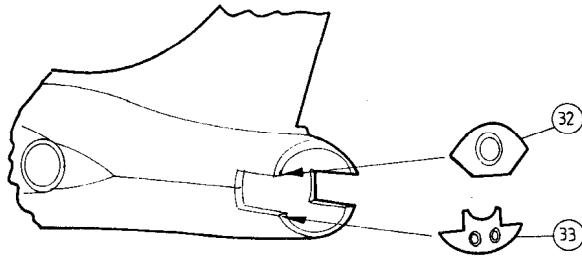
6. CHAFF DISPENSERS



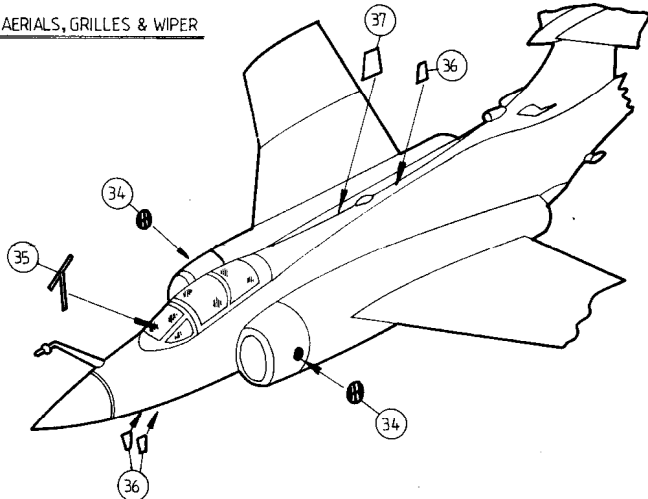
7. AIRBRAKES



8. REAR FUSELAGE BLANKING PLATES

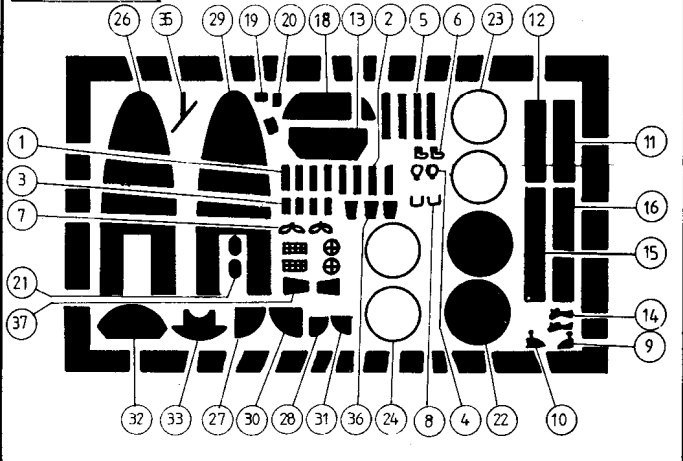


9. AERIALS, GRILLES & WIPER



Some details omitted for clarity.

10. FRAME LAYOUT



THIS IS ONE OF THE AIRWAVES RANGE OF MODEL ACCESSORIES MANUFACTURED FOR AND DISTRIBUTED BY E.D. MODELS, 64 STRATFORD ROAD, SHIRLEY, SOLIHULL WEST MIDLANDS, B90 3LP, ENGLAND. TELEPHONE 021-744-7488.

PLEASE NOTE THAT THIS ARTWORK IS PROTECTED BY COPYRIGHT AND CANNOT BE REPRODUCED IN ANY FORM WITHOUT PRIOR WRITTEN CONSENT OF E.D. MODELS.