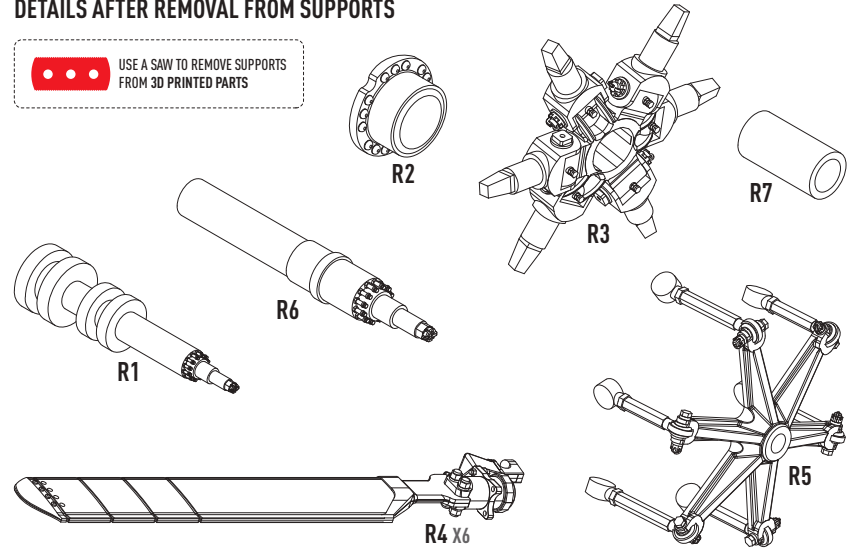


**DETAILS AFTER REMOVAL FROM SUPPORTS**

USE A SAW TO REMOVE SUPPORTS  
FROM 3D PRINTED PARTS

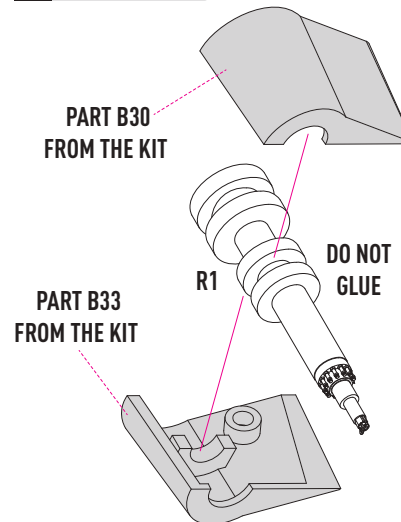


YOU CAN FIND INSTRUCTIONS  
IN PDF FORMAT ON THE WEBSITE

**RESKIT-MODELS.COM**

General Issues: [info@reskit.com.ua](mailto:info@reskit.com.ua)  
Wholesales: [sales@reskit.com.ua](mailto:sales@reskit.com.ua)  
Claim Resolution: [claims@reskit.com.ua](mailto:claims@reskit.com.ua)

**1 FOR AIRFIX KIT**



**2**

