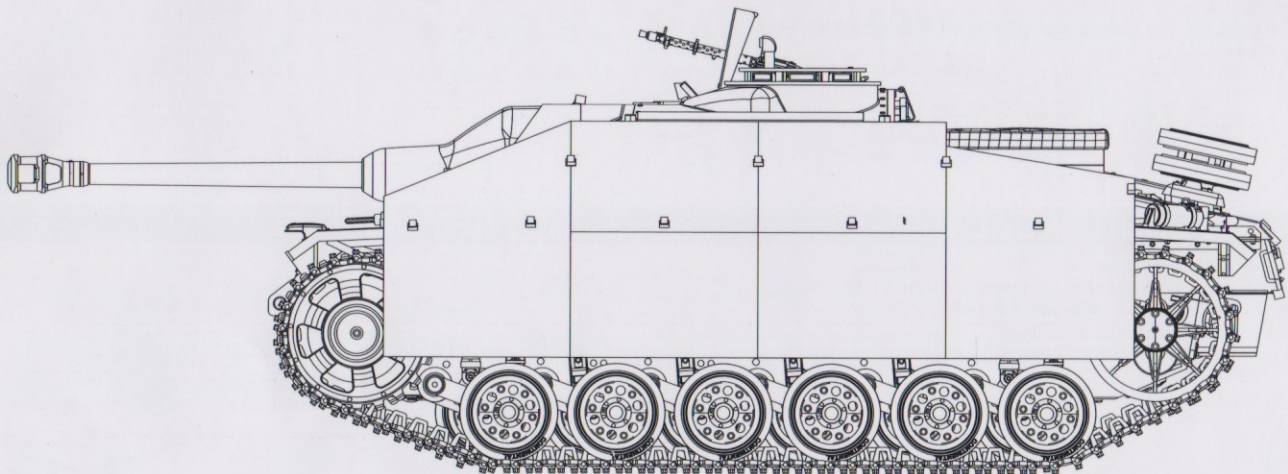


StuH42 & StuG III Ausf.G MID PRODUCTION 2IN1



Based on the obsolete Panzer III, the Sd.Kfz 142/1 StuG III Ausf.G became the ultimate version of the Sturmgeschütz III family of German AFV's, with some 7,720 being produced from December 1942 until March 1945. The main improvement over previous variants was a new casemate superstructure made up of slanted 30mm side armor & 50mm frontal armor plates. This casemate featured a new commander's cupola fitted with 7 periscopes and an SE14Z scissors periscope.

A larger 10.5cm L 28 howitzer was installed in around 1,300 units, designated as the Sturmhaubitze 42.

These vehicles became ubiquitous during WWII, not only fighting effectively for the Germans from Normandy to Kursk, but also with the armies of Finland, Italy, Bulgaria and Romania. Some examples fought on well after the war, when Syrian vehicles were destroyed by superior Israeli forces during the Six Day War in 1967.

READ BEFORE ASSEMBLY

CAUTION

- Read carefully and fully understand the instructions before commencing assembly. A supervising adult should also read the instructions if a child assembles the model.
- When assembling this kit, tools including knives used. Extra care should be taken to avoid personal injury.
- Keep out of reach of small children. Children must not be allowed to suck any part, or pull vinyl bag over their heads.



Optional



Instant Glue for Metal



Be Careful

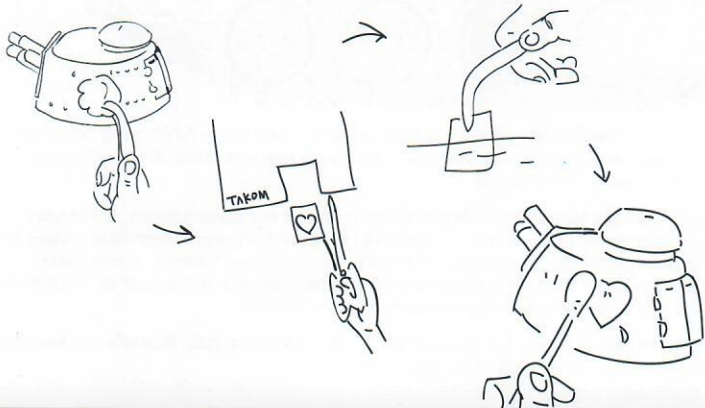
PAINTS REQUIRED

Color info and profiles by Mig Jimenez

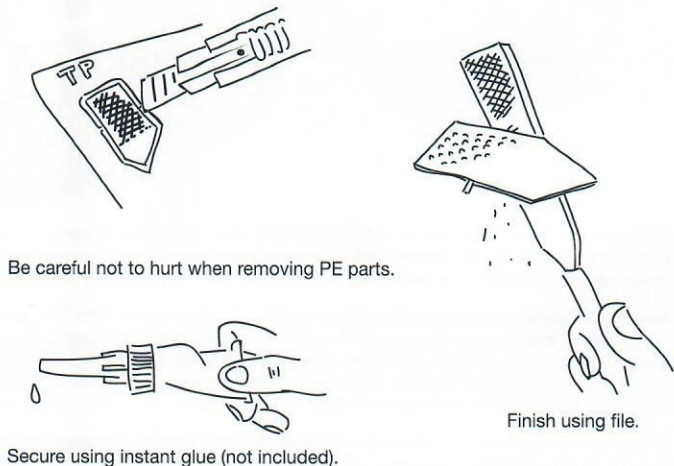
A.MIG-0035	Dark Tracks	A.MIG-0031	Rubber & Tires	A.MIG-0045	Gun Metal	A.MIG-0036	Old Wood
A.MIG-0032	Satin Black	A.MIG-0038	Crystal Periscope Green	A.MIG-0010	RAL 7028 Dunkelgelb (Mid War)	A.MIG-0037	New Wood
A.MIG-0038	Light Wood	A.MIG-0001	RAL 6003 Olivgrun Opt.1	A.MIG-0002	RAL 6003 Olivgrun Opt.2	A.MIG-0015	RAL 8017 Schokobraun

APPLYING DECALS

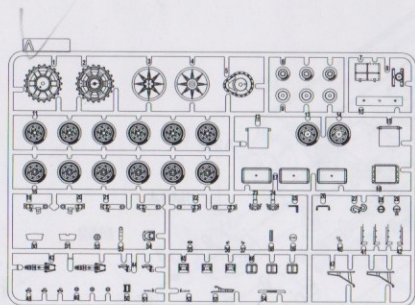
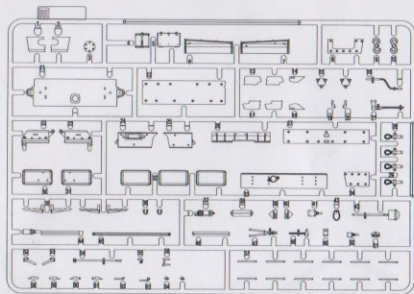
1. Clean the model surface with a wet cloth.
2. Cut out each decal design from sheet, and dip it in tepid water for 15~20 sec.
3. Hold the backing sheet edge and slide decal onto the model.
4. Move decal into position by wetting decal with finger.
5. Press decal gently down with a soft cloth until excess water and air bubbles are gone.



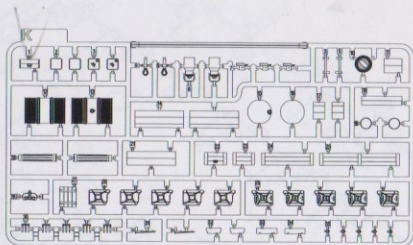
REMOVING PE



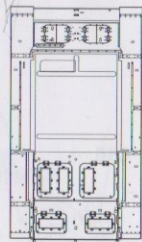
PARTS



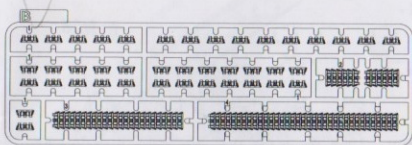
X2 ✓



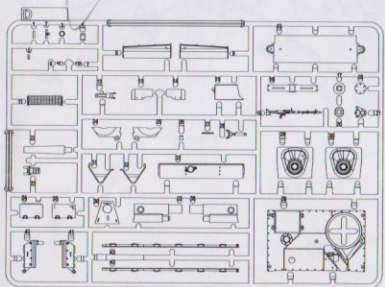
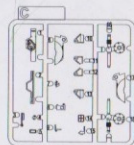
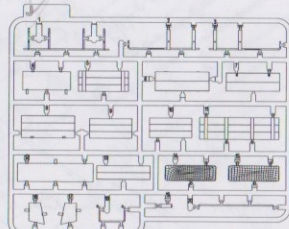
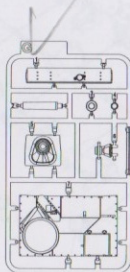
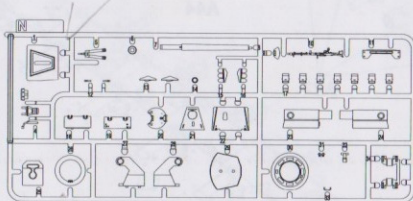
X2



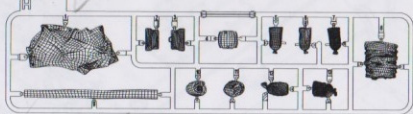
Upper Hull



X2



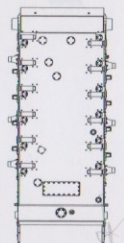
D



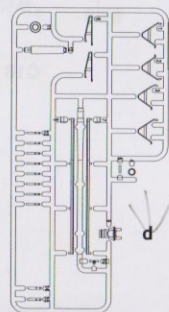
Turret



S



Lower Hull



d

Cable



TP

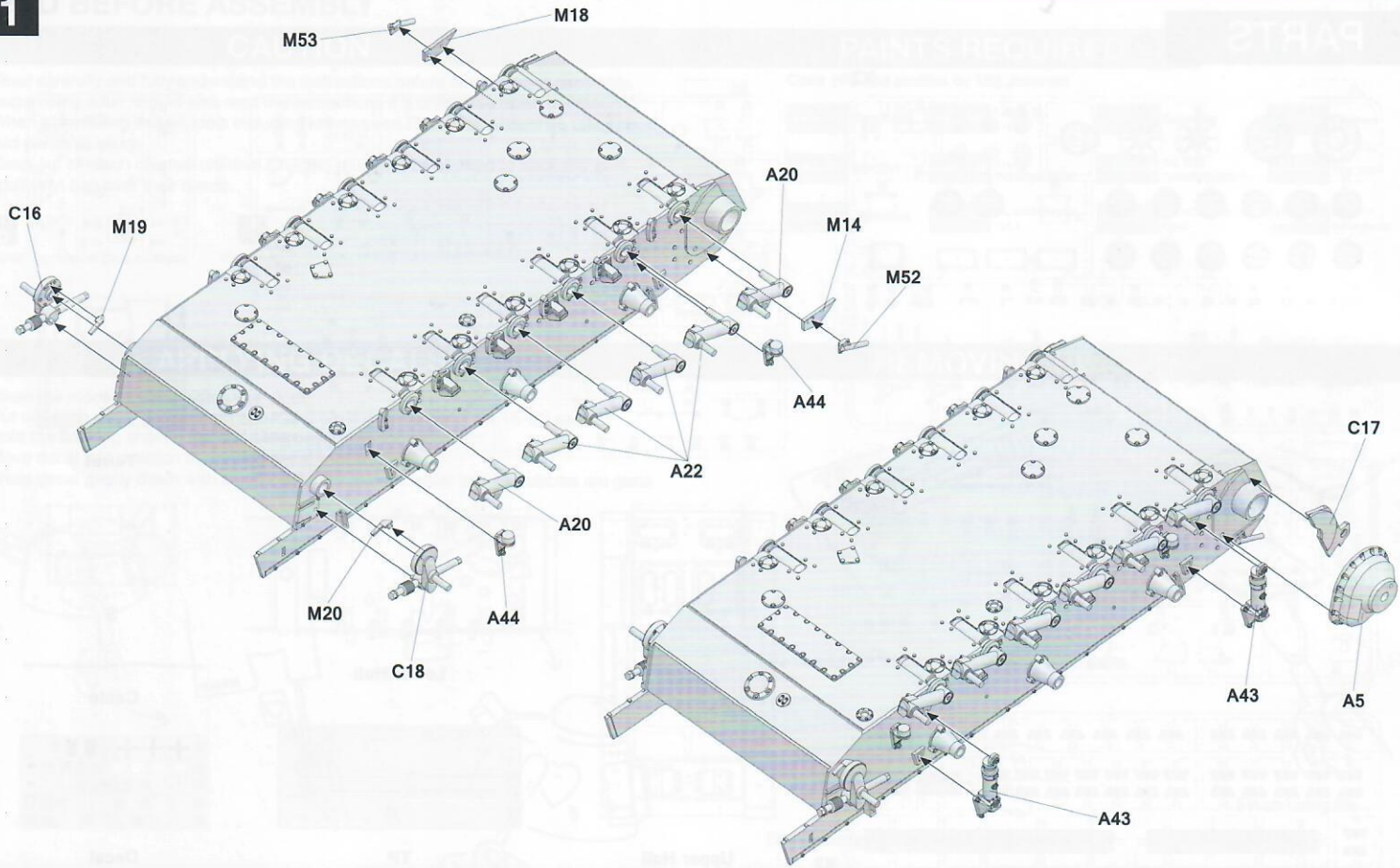
Metal Barrel

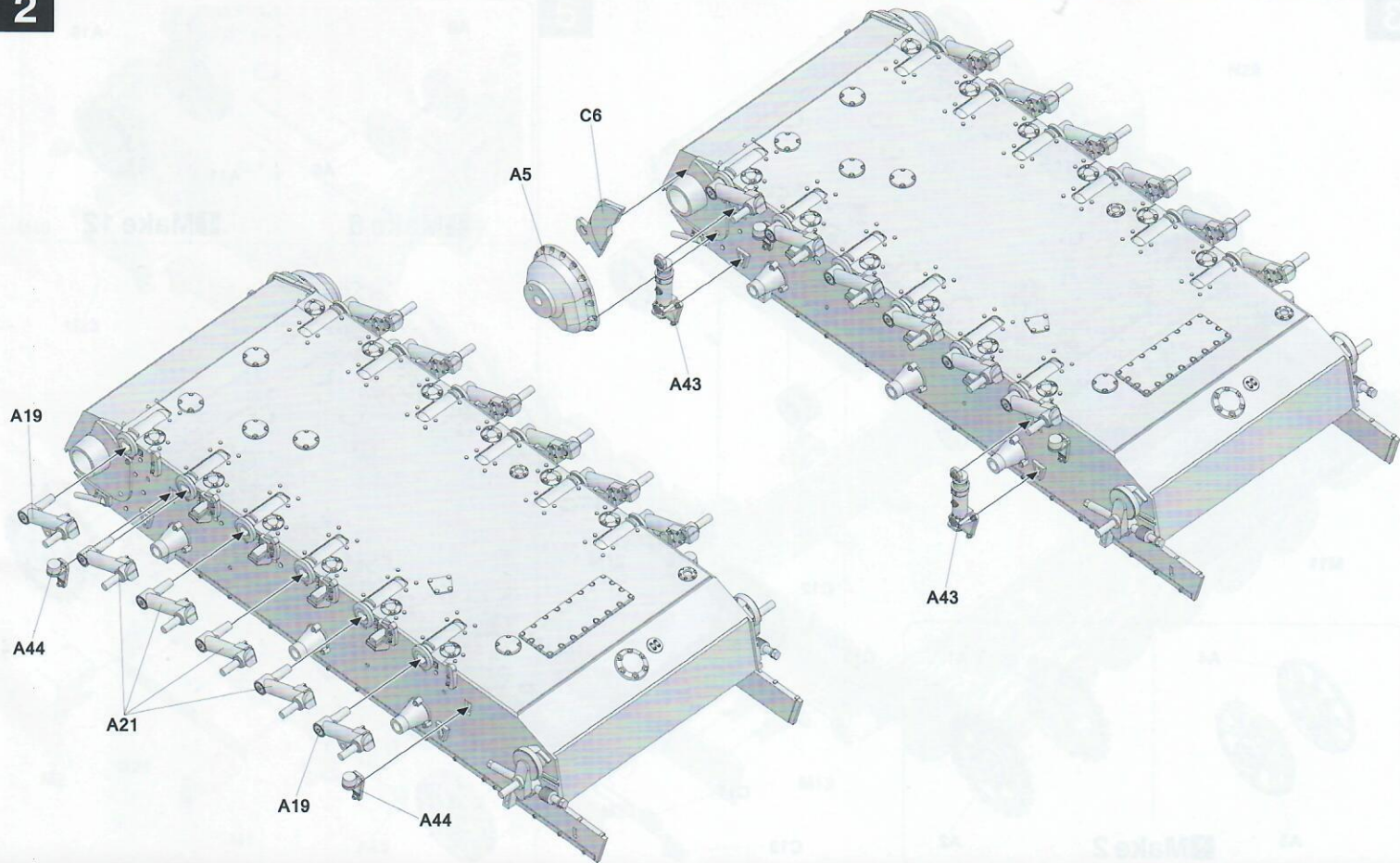


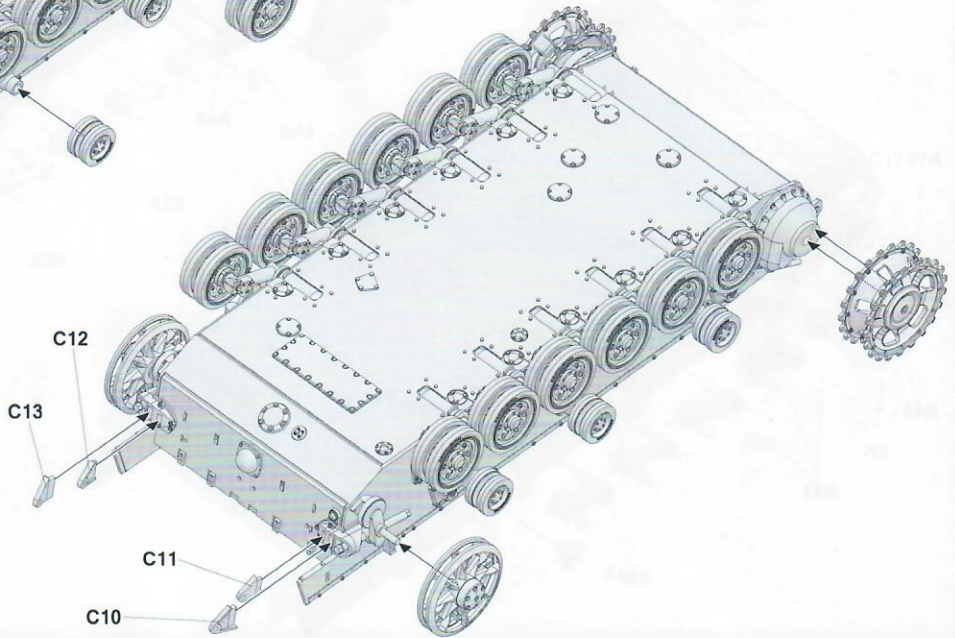
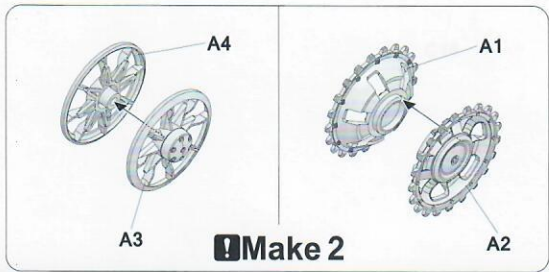
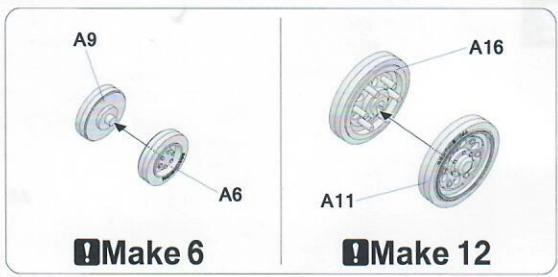
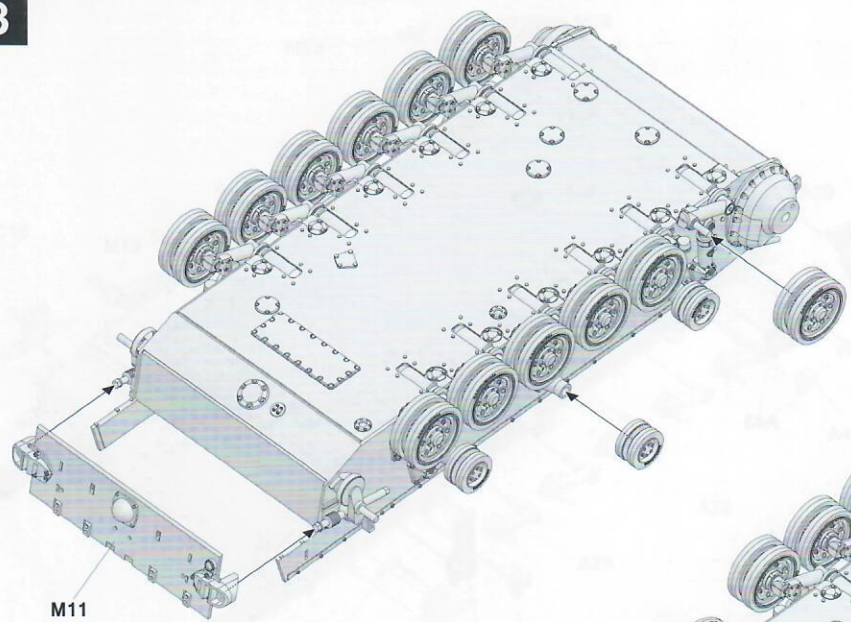
Decal



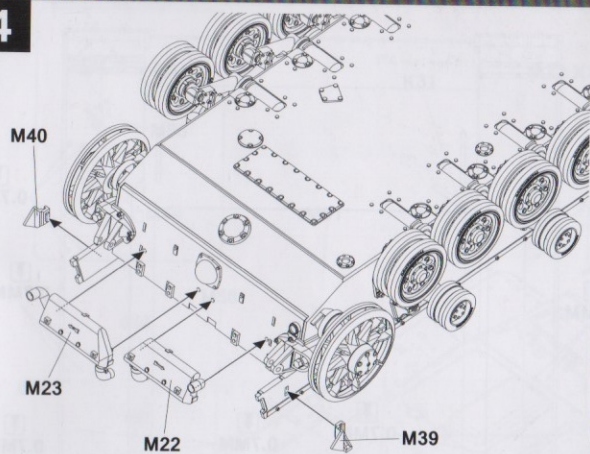
TPa



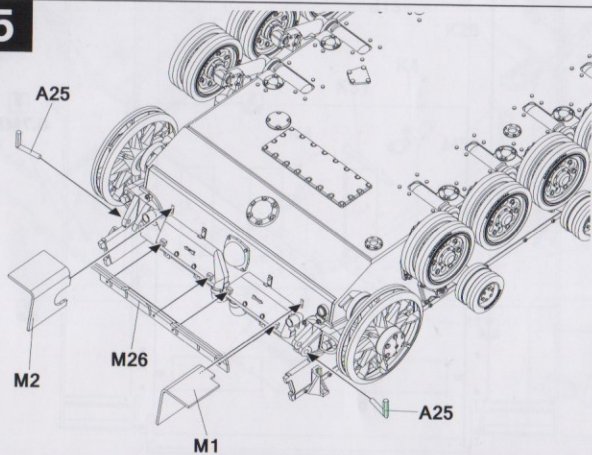




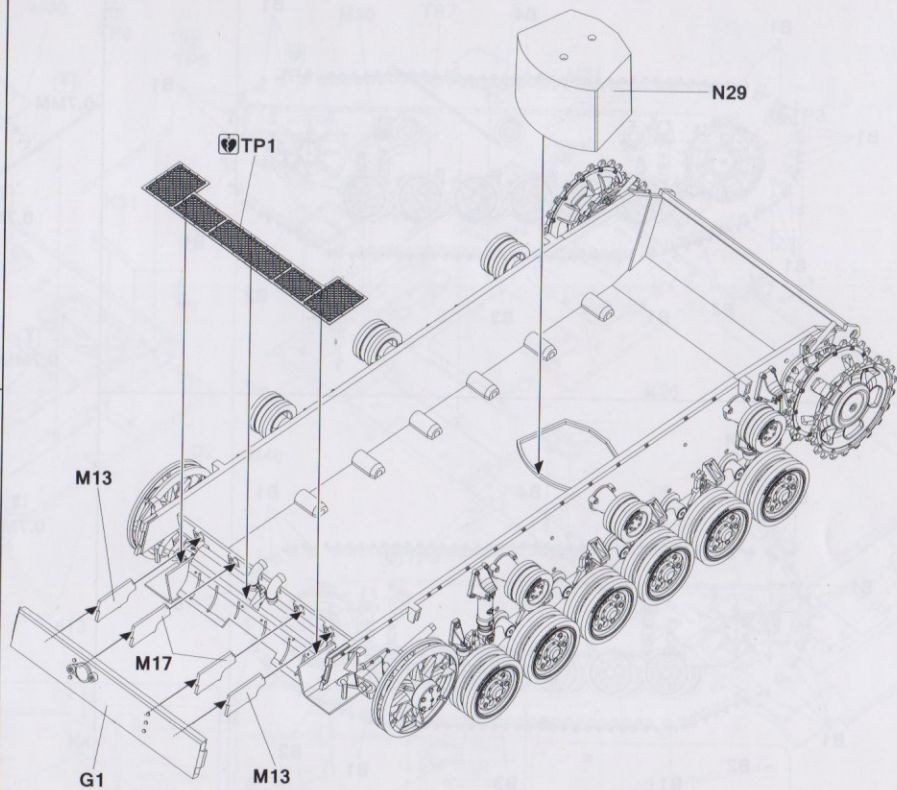
4



5

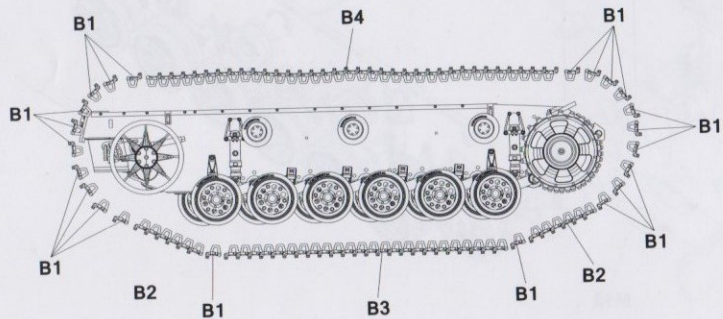
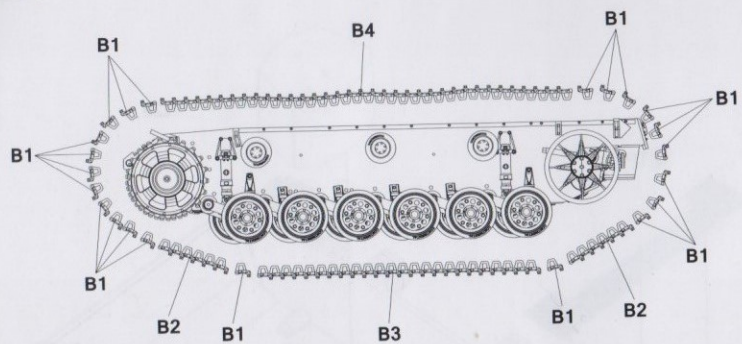


6

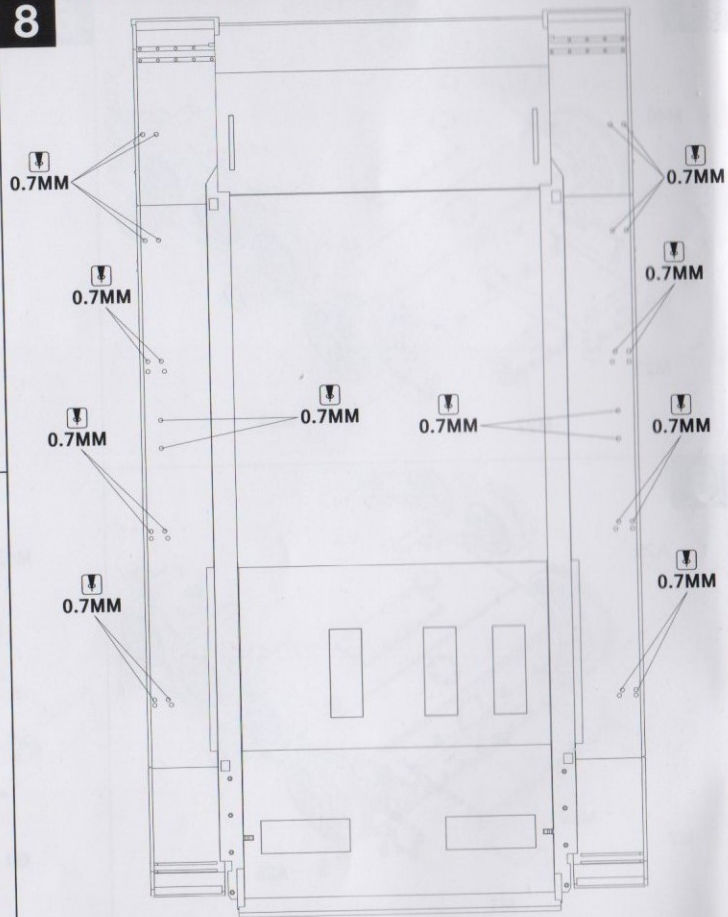


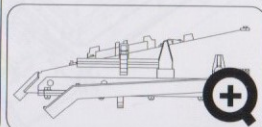
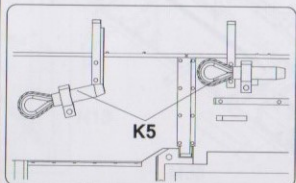
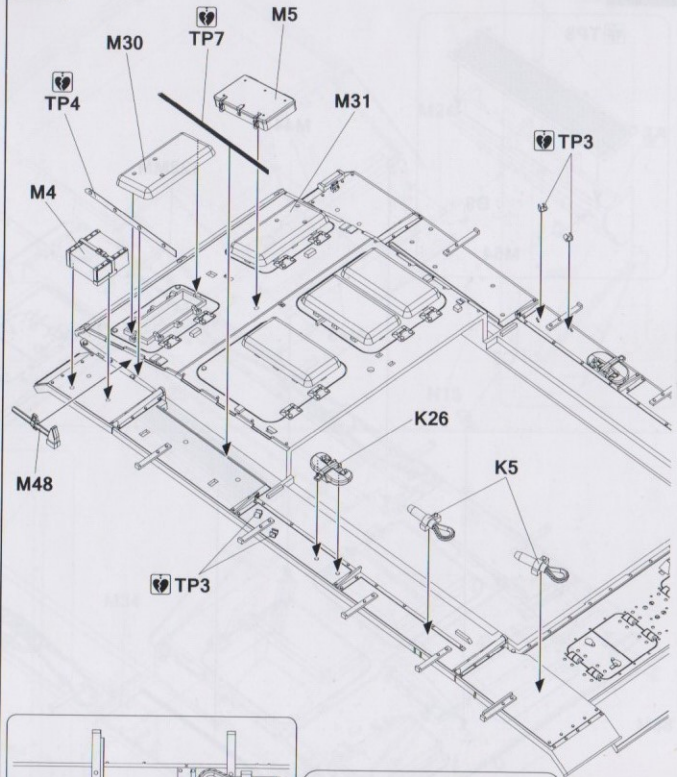
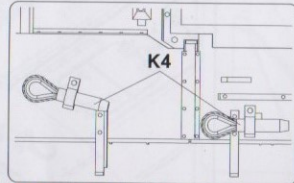
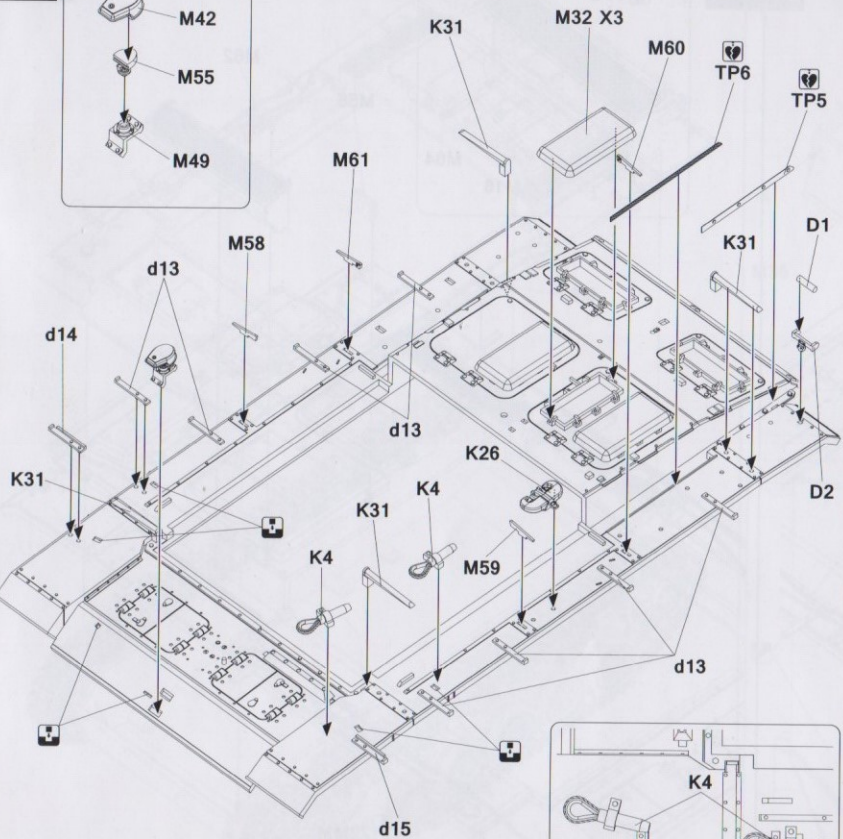
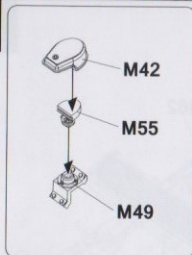
6

7

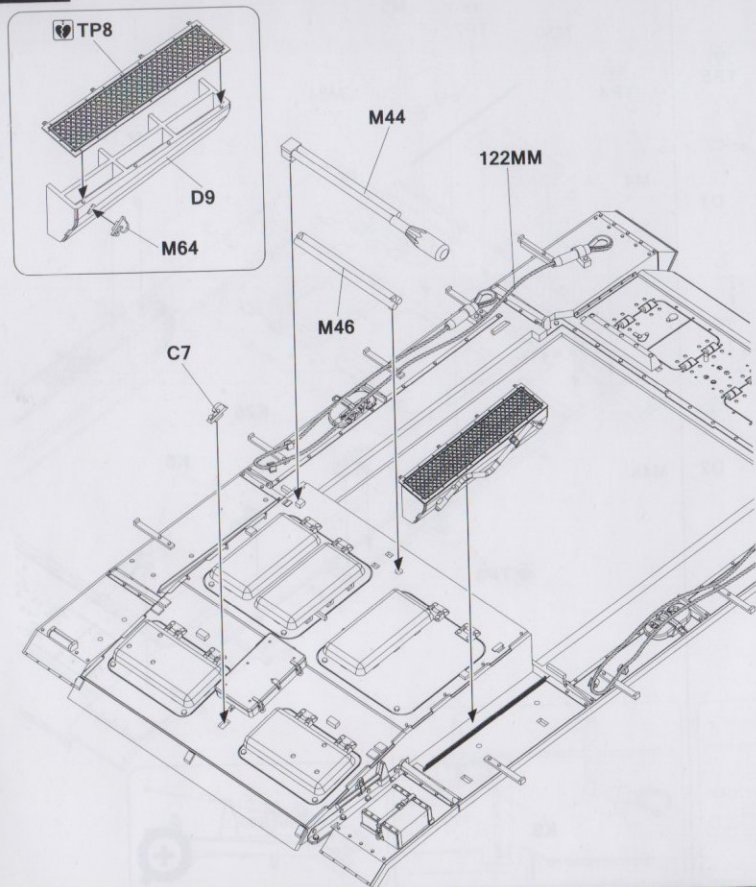


8

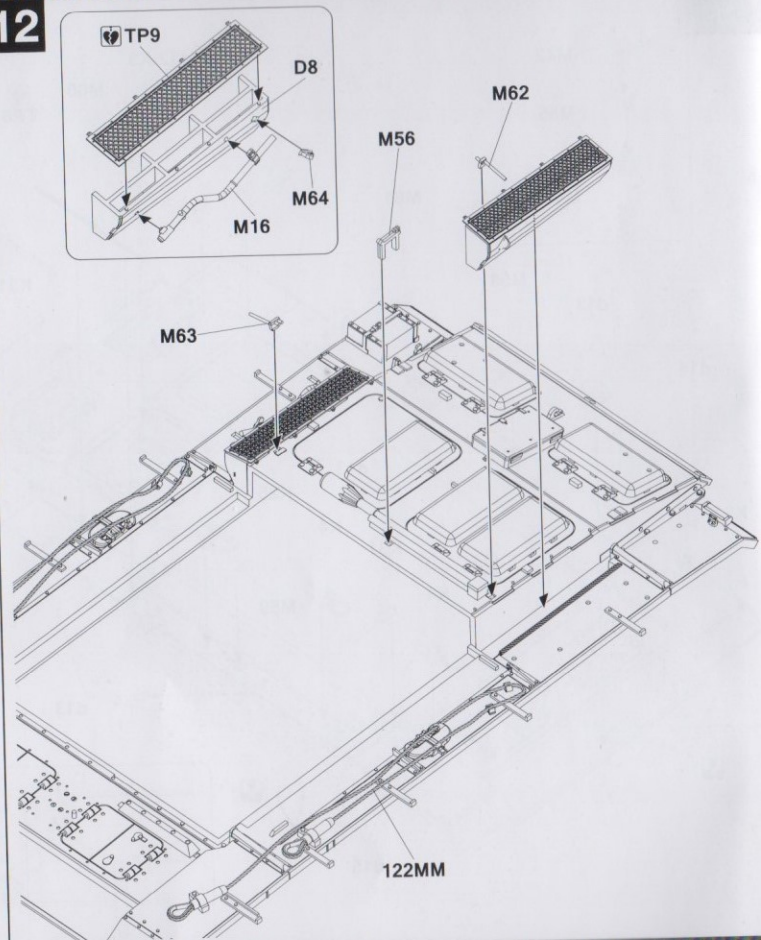




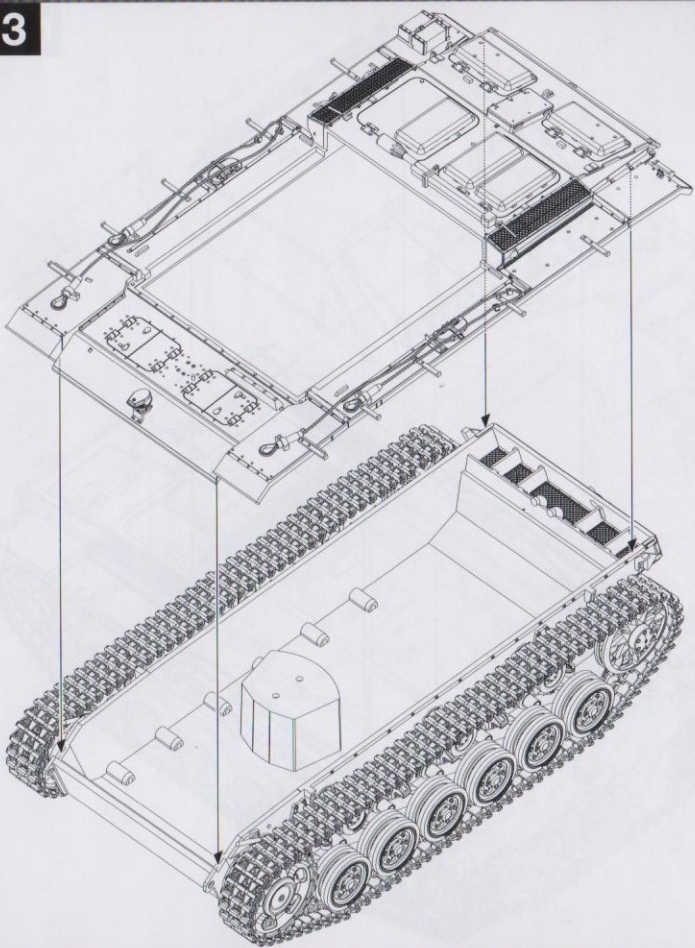
11



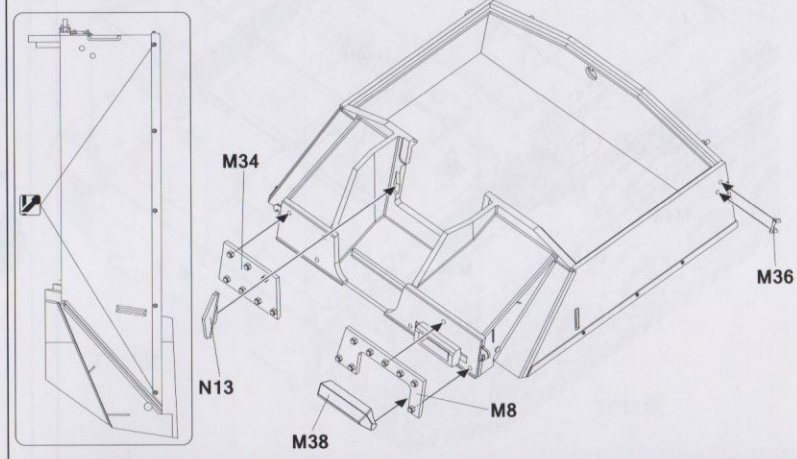
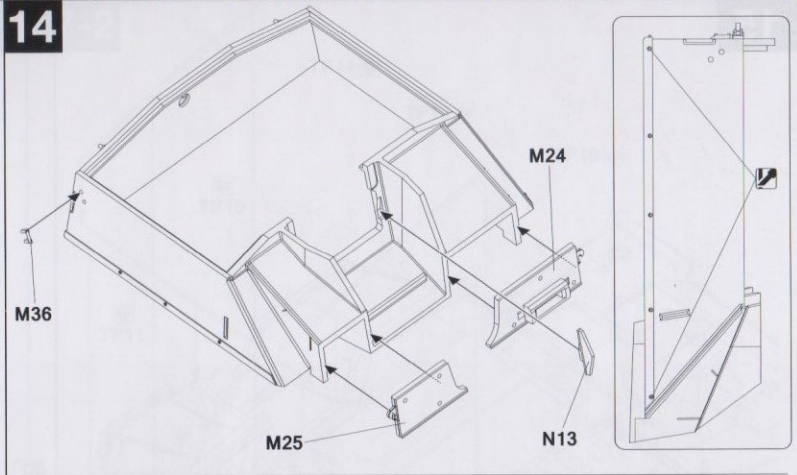
12

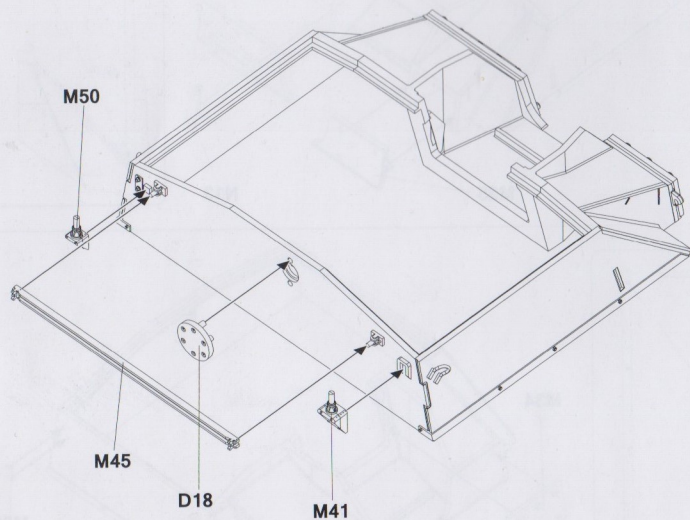
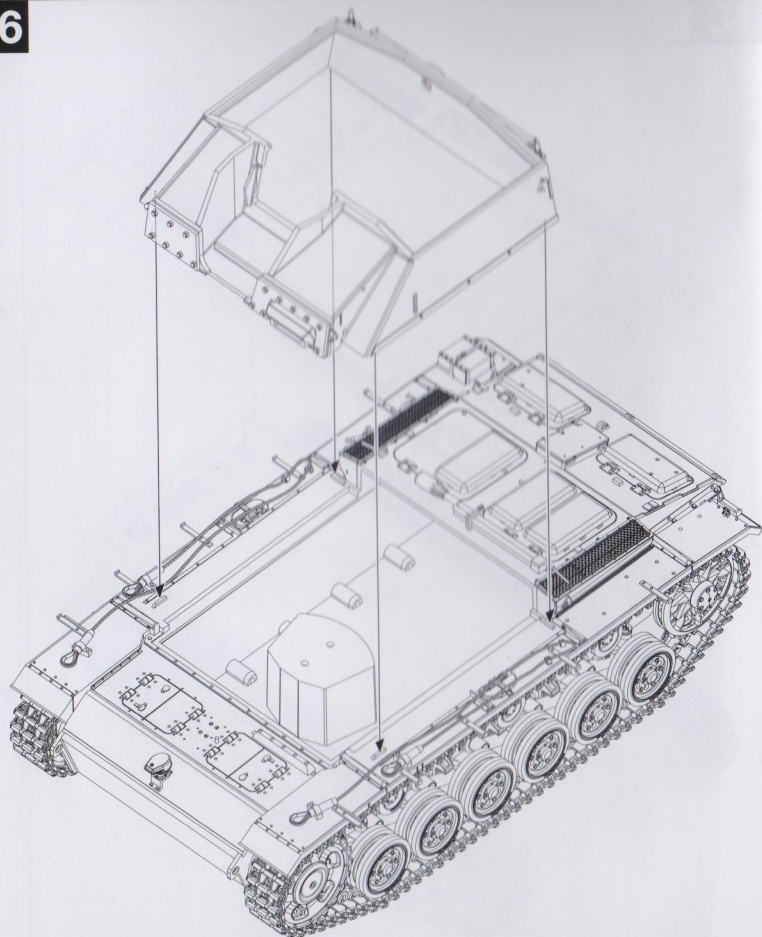


13

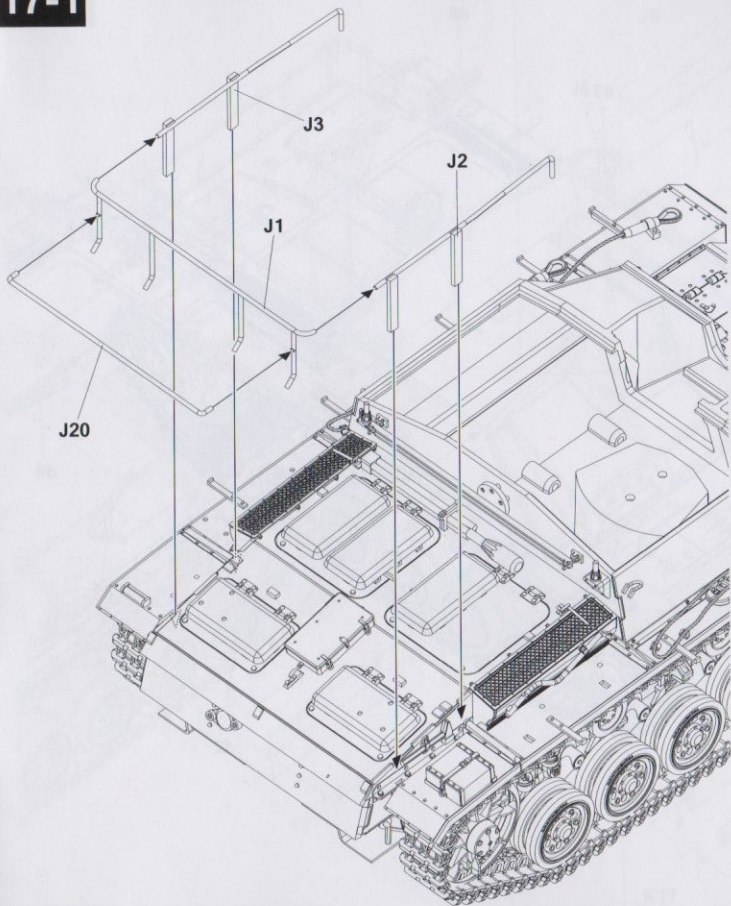


14

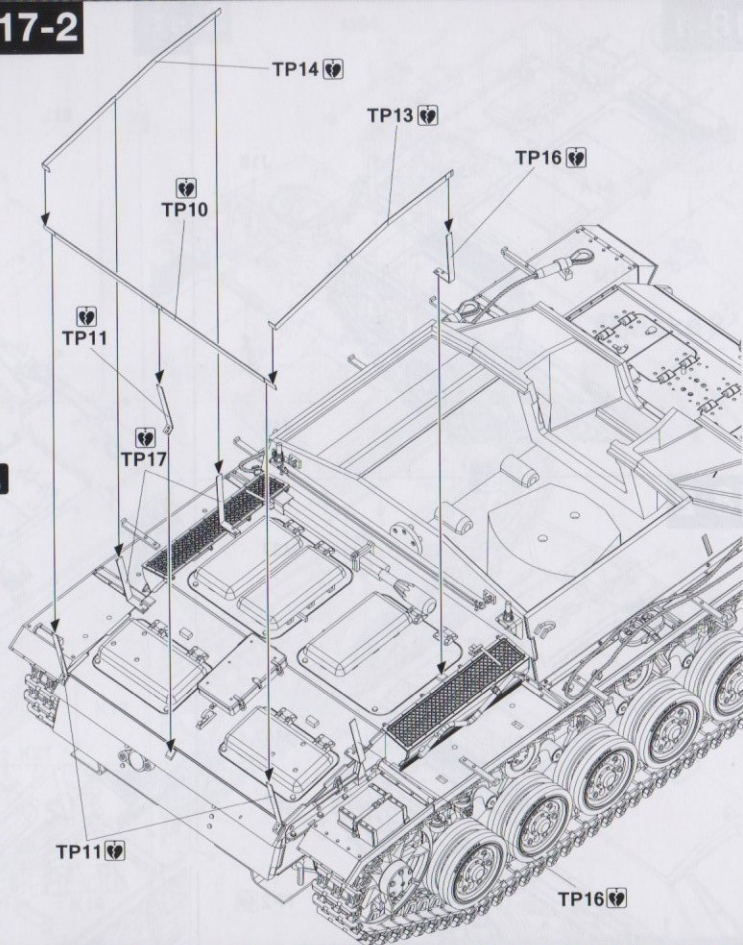


15**16**

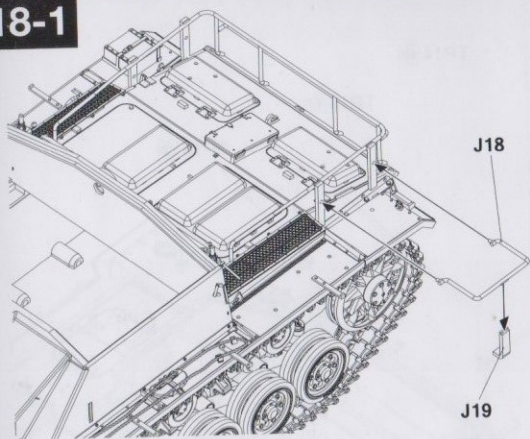
17-1



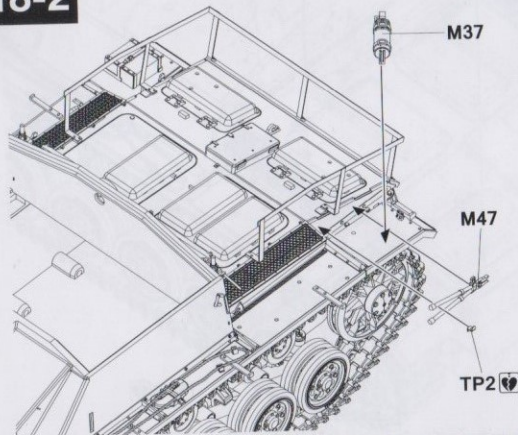
17-2



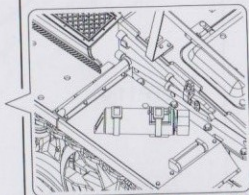
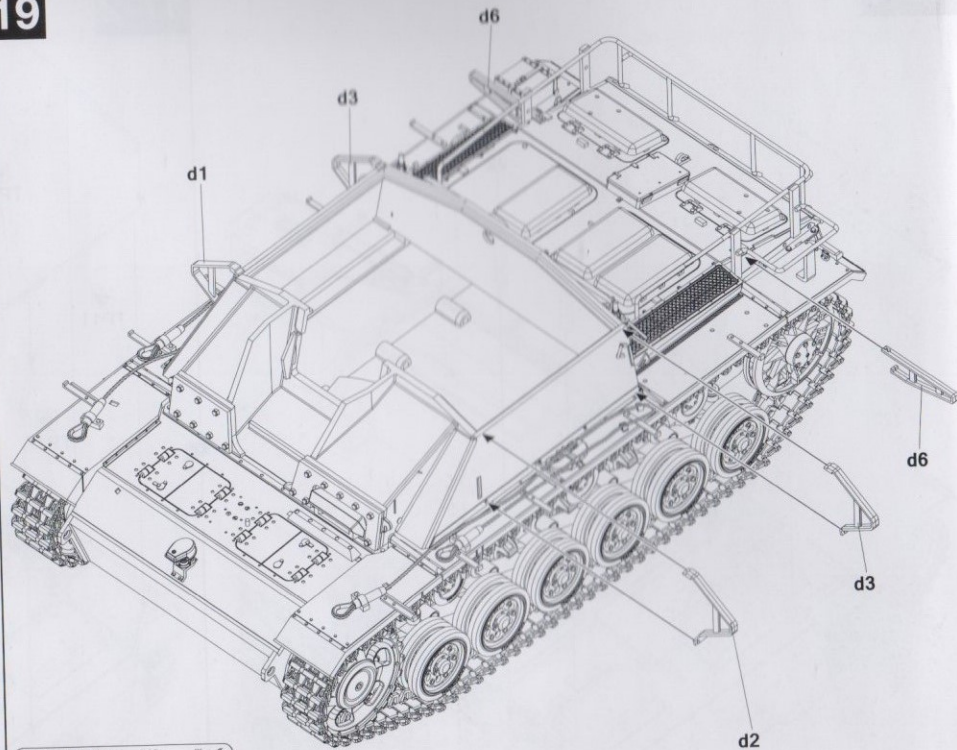
18-1



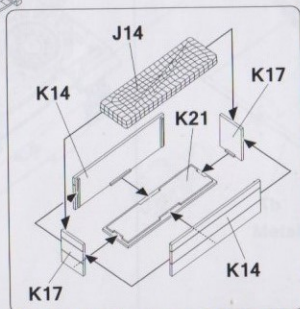
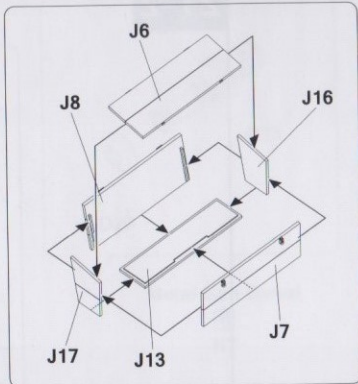
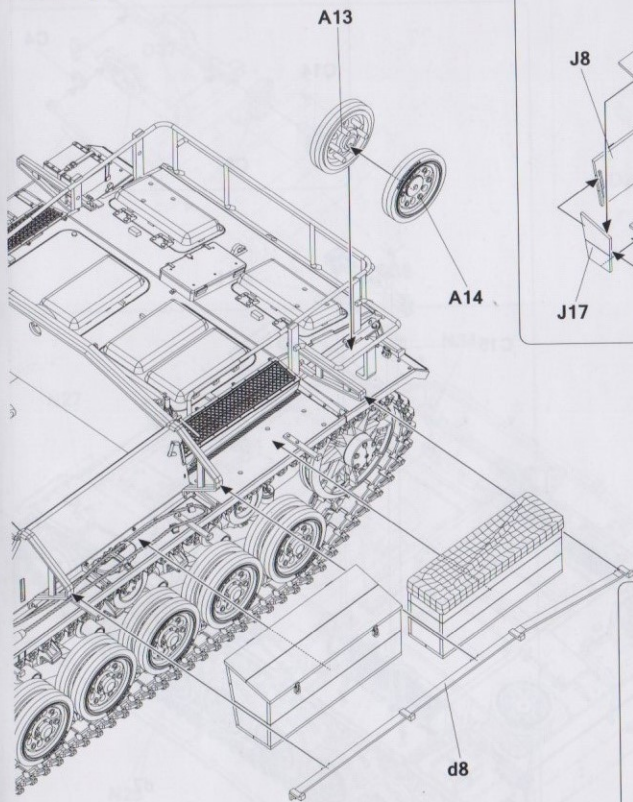
18-2



19

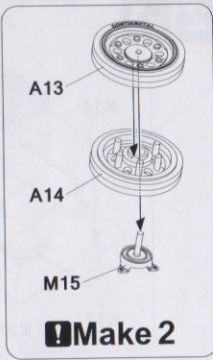
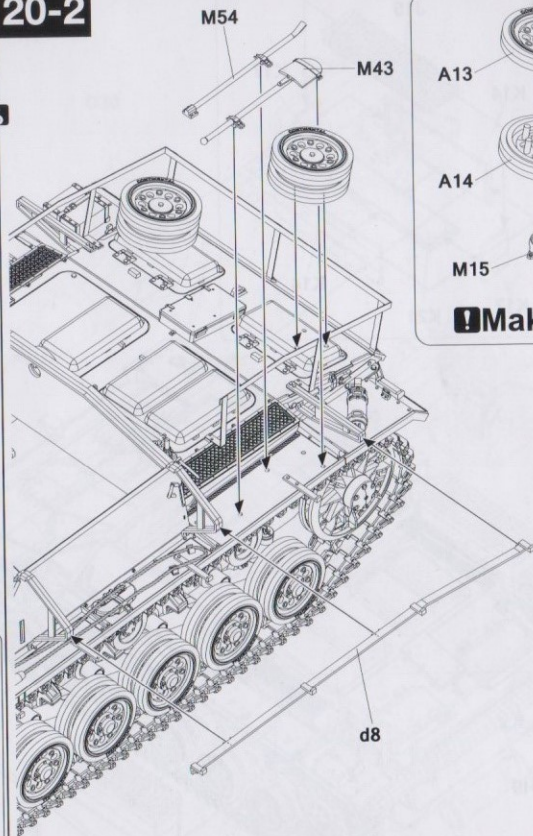


20-1



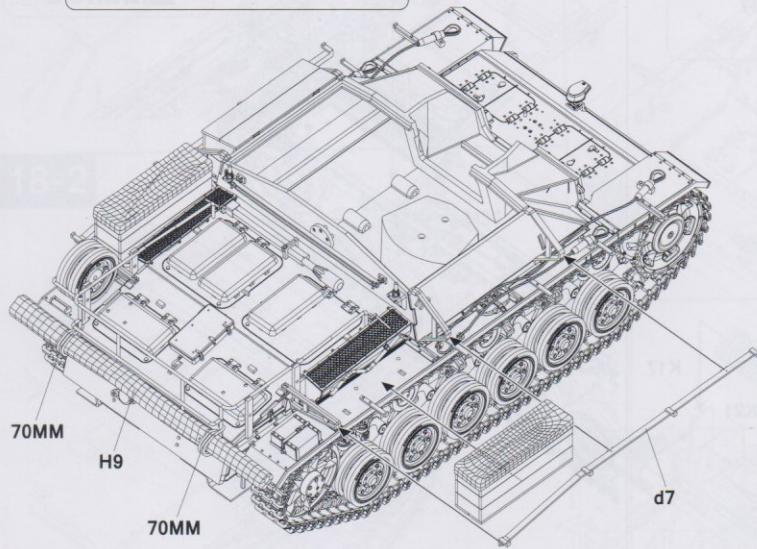
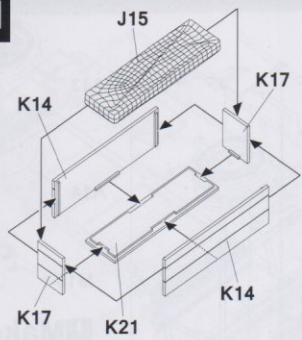
20-2

5

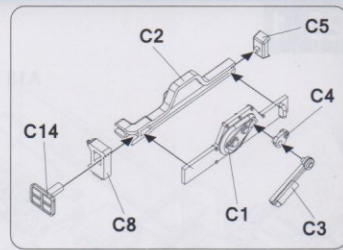


Make 2

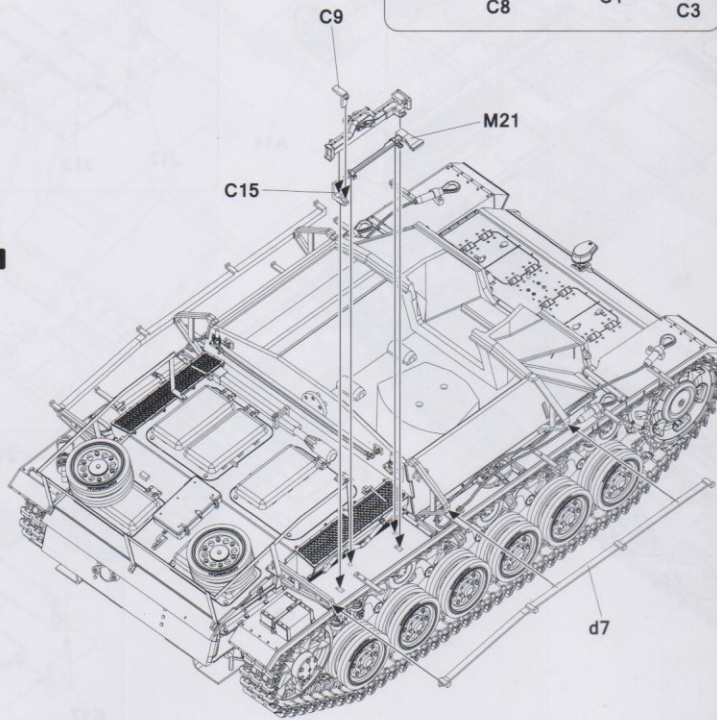
21-1

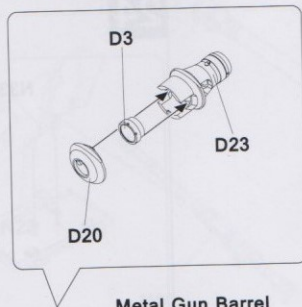
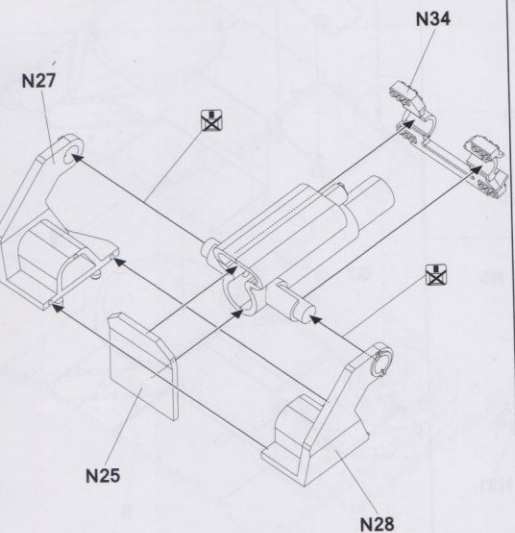
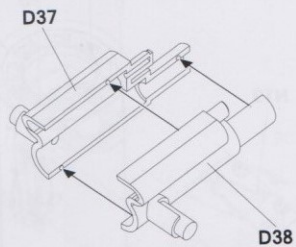


21-2



5

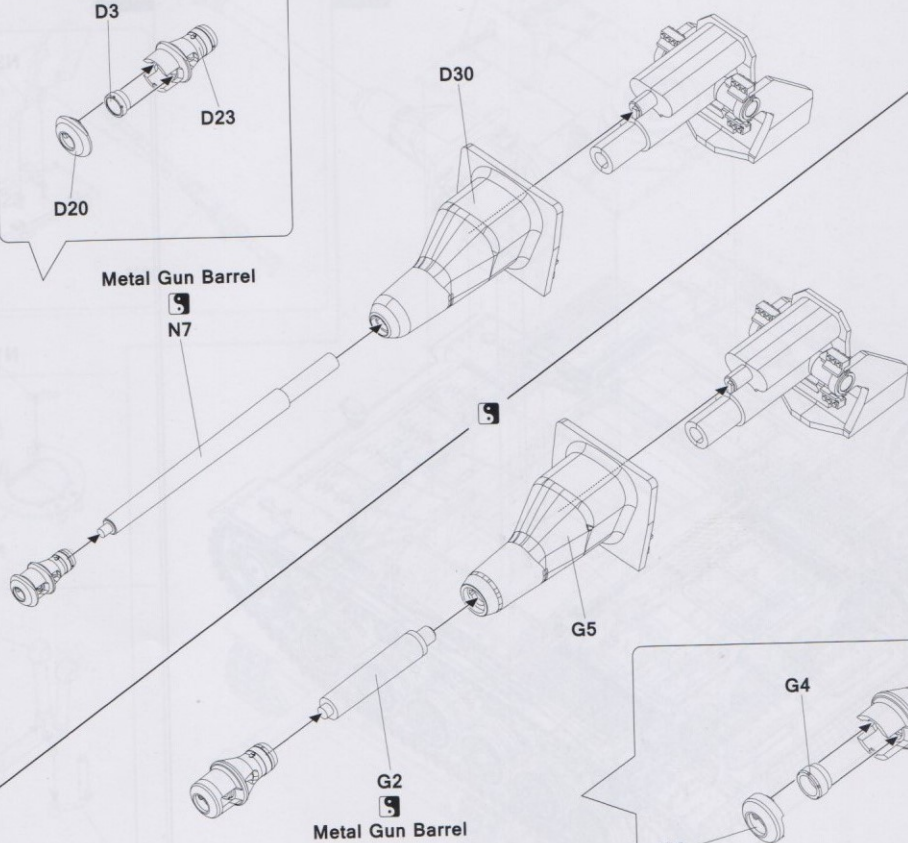




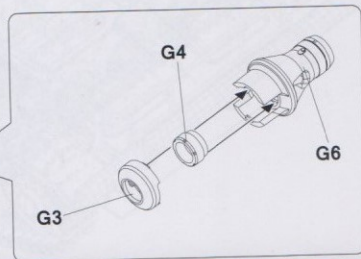
Metal Gun Barrel



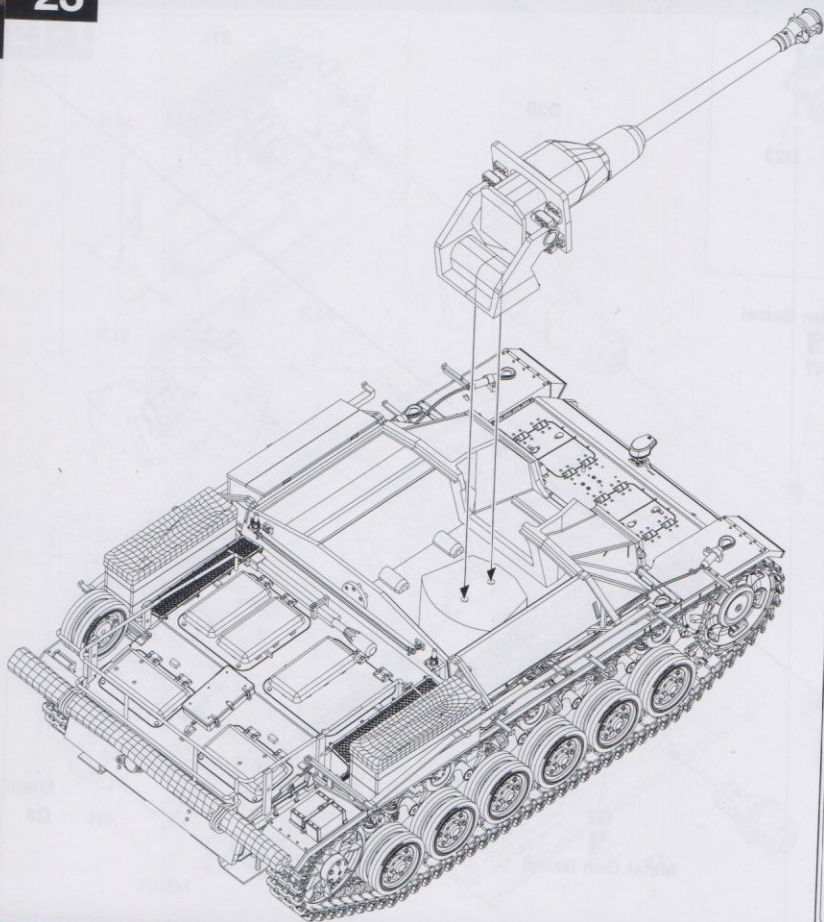
N7



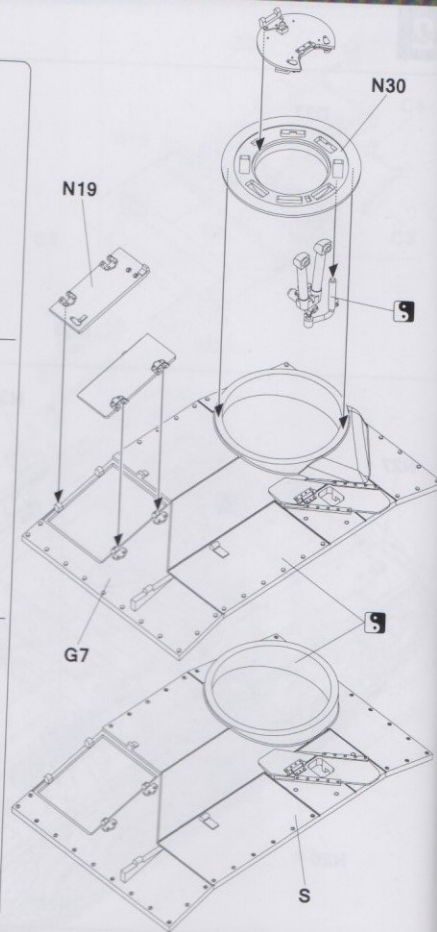
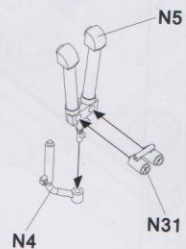
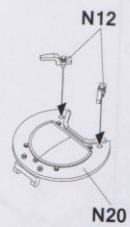
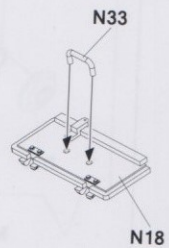
Metal Gun Barrel



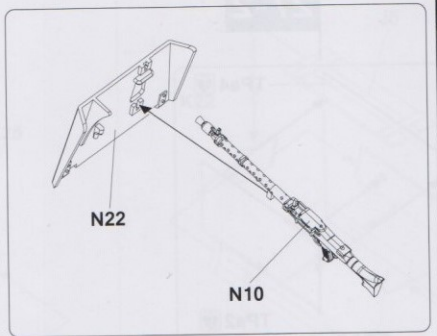
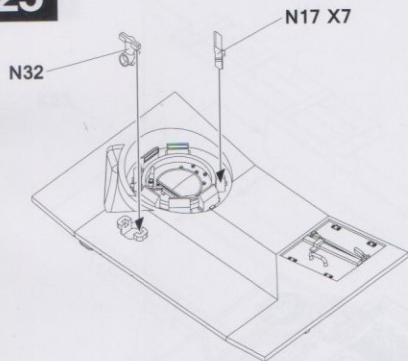
23



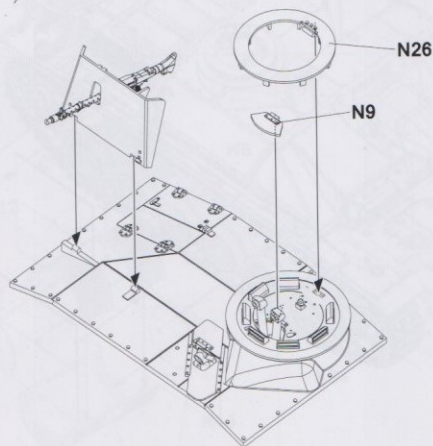
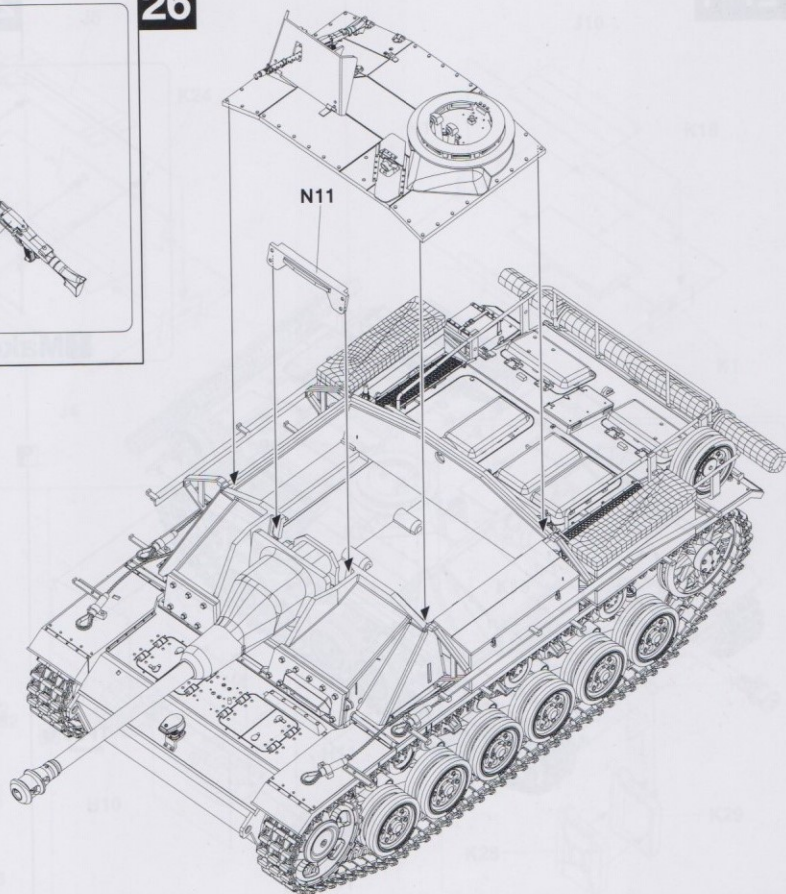
24



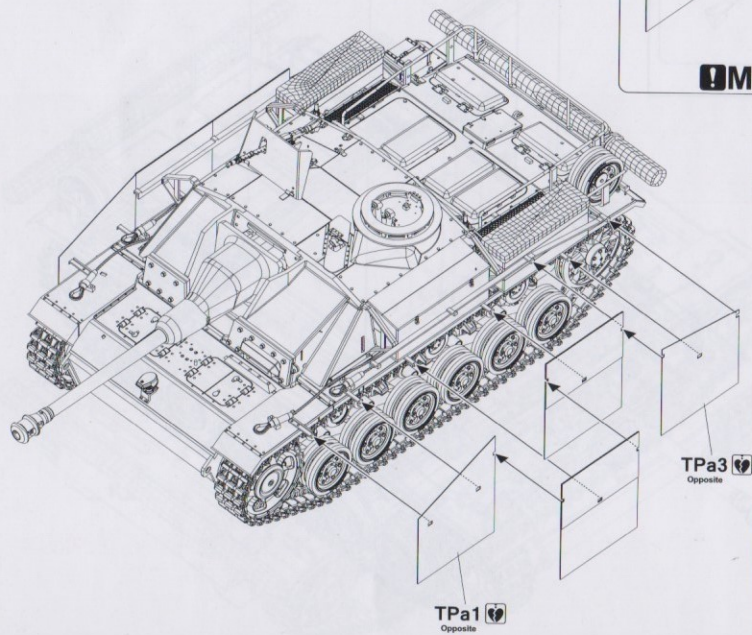
25



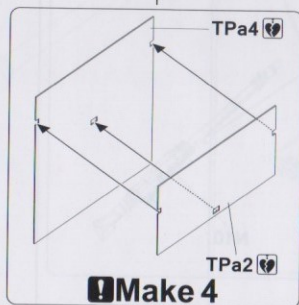
26



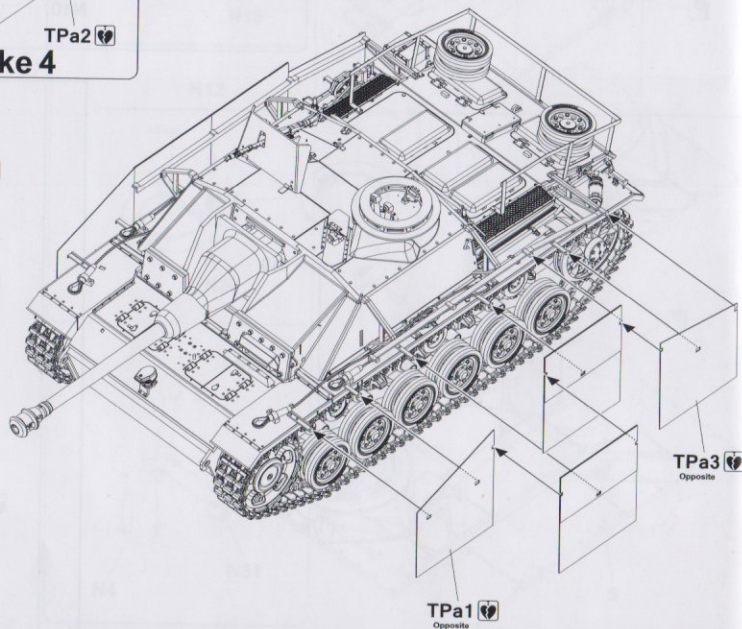
27-1

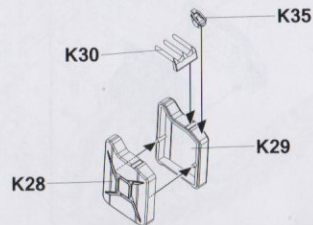
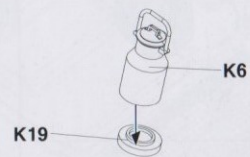
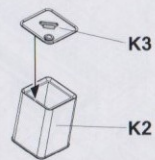
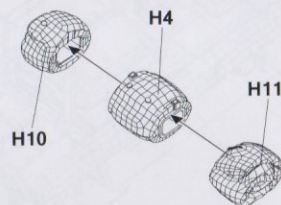
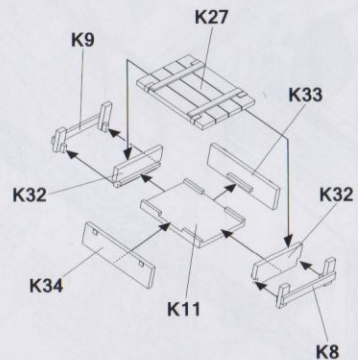
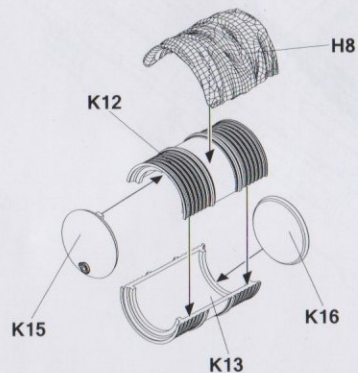
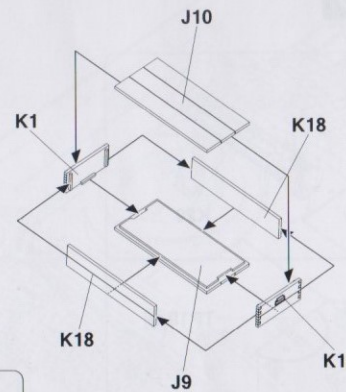
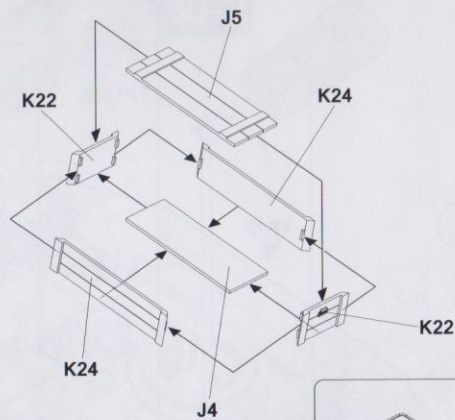
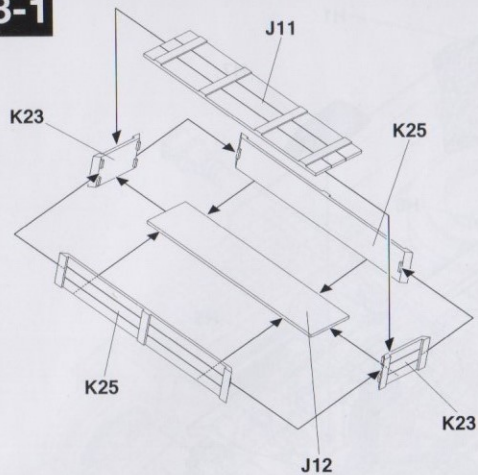


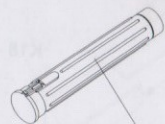
27-2



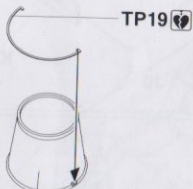
5





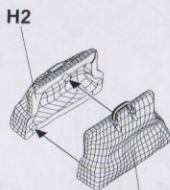


K20



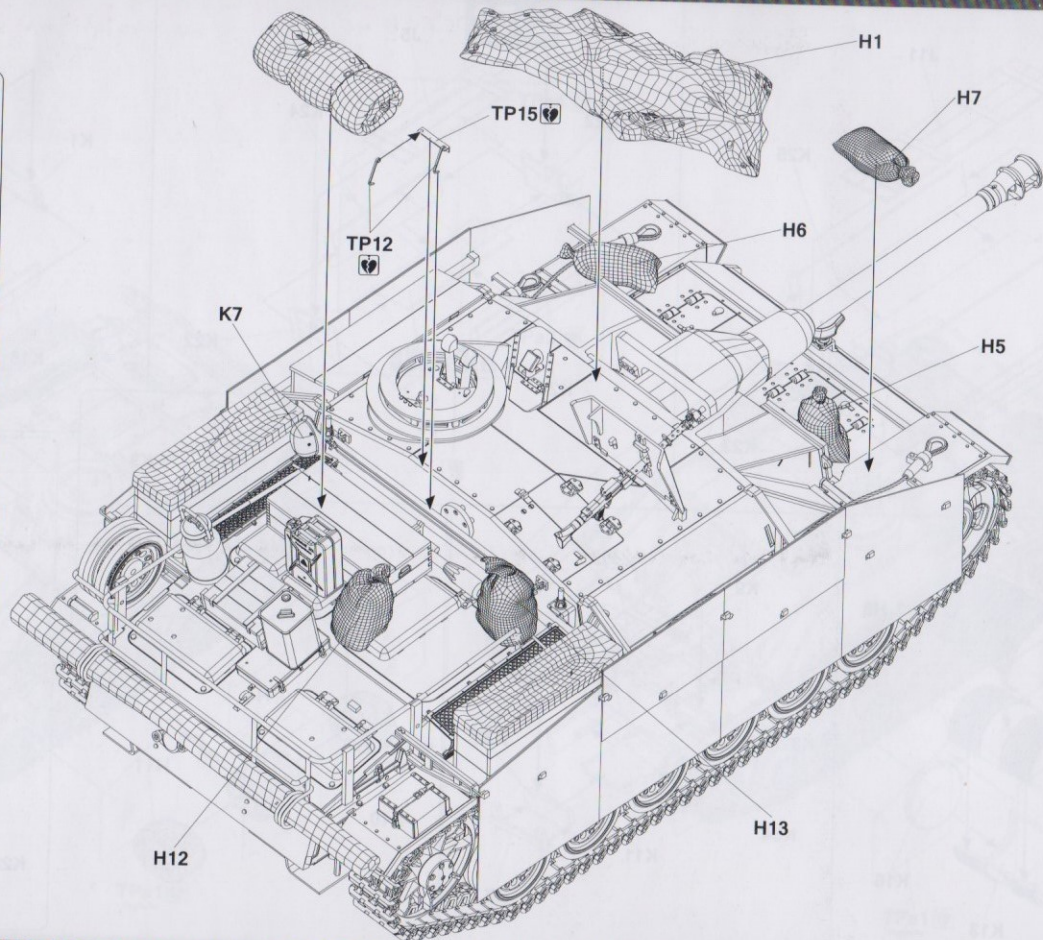
TP19

K10

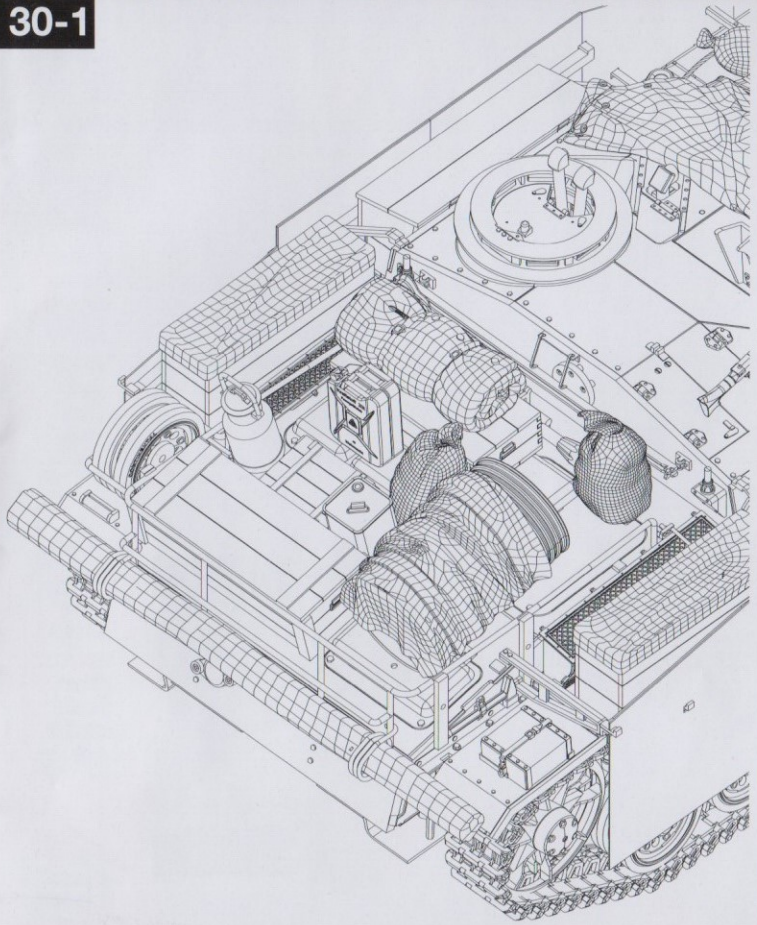


H2

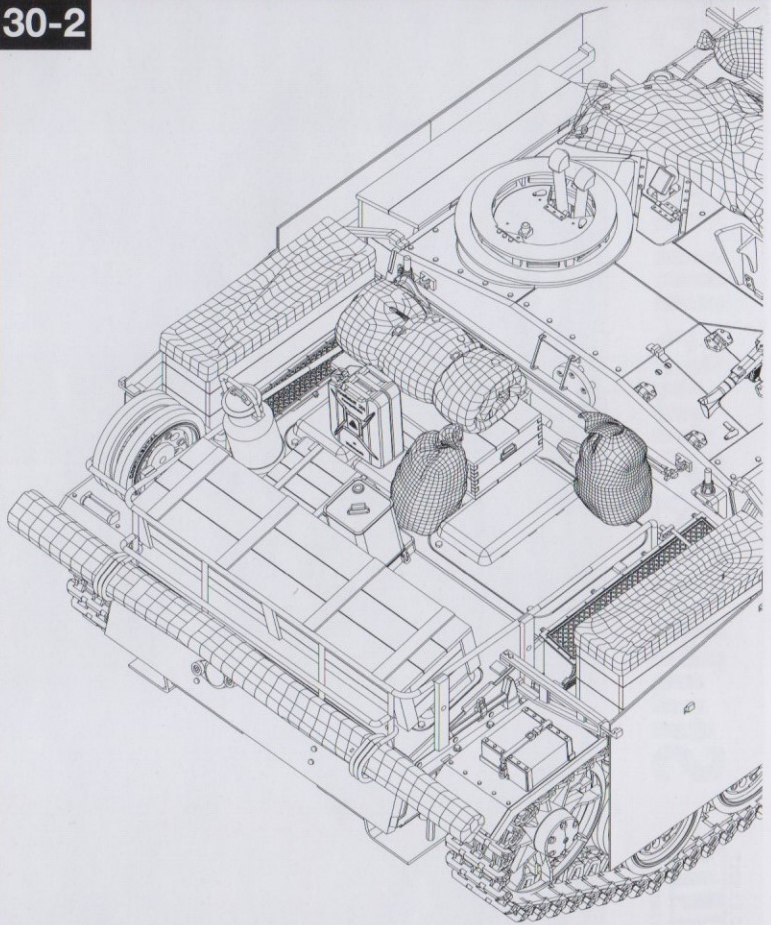
H3



30-1



30-2



StuH42 & StuG III Ausf.G

Painting and Marking Guide

TAKOM N°: 8017

Late Summer 1944 Poland



03.03.8017

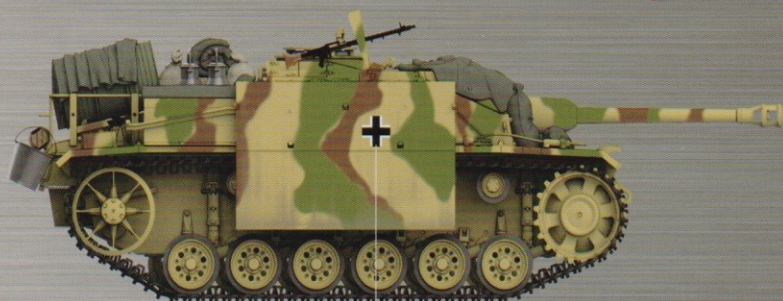


StuH42 & StuG III Ausf.G

Painting and Marking Guide

TAKOM N°: 8017

Autumn 1943 Eastern front

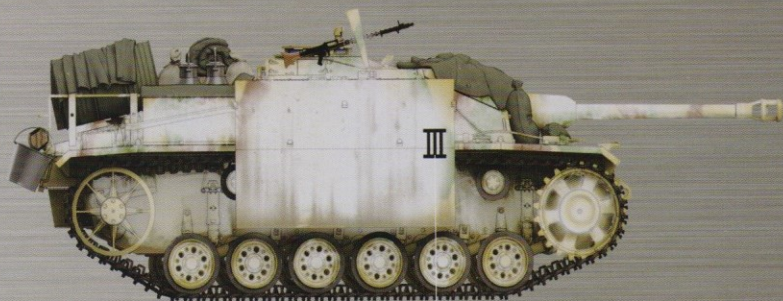
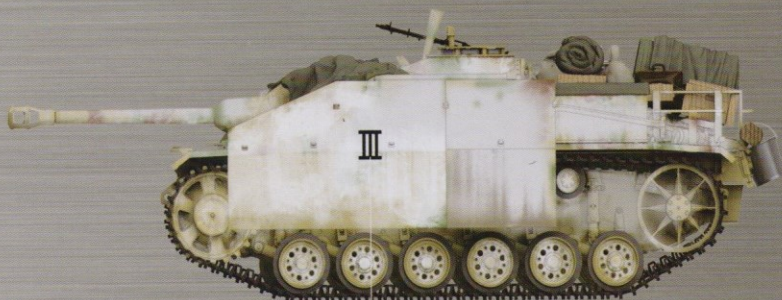


StuH42 & StuG III Ausf.G

Painting and Marking Guide

TAKOM N°: 8017

February 1944 Eastern front

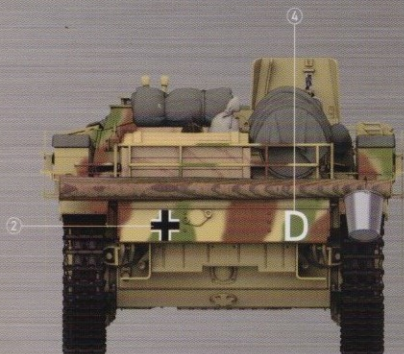
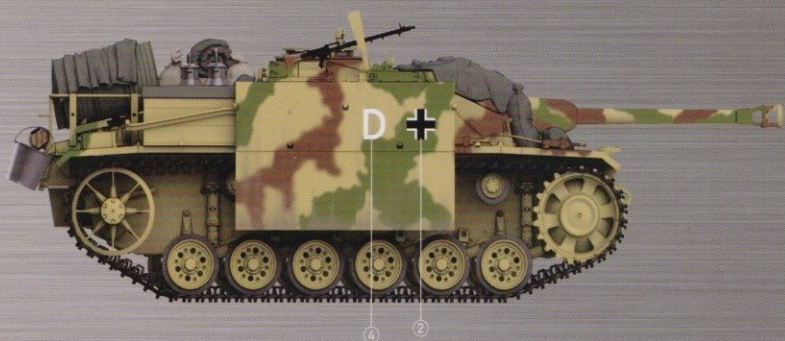
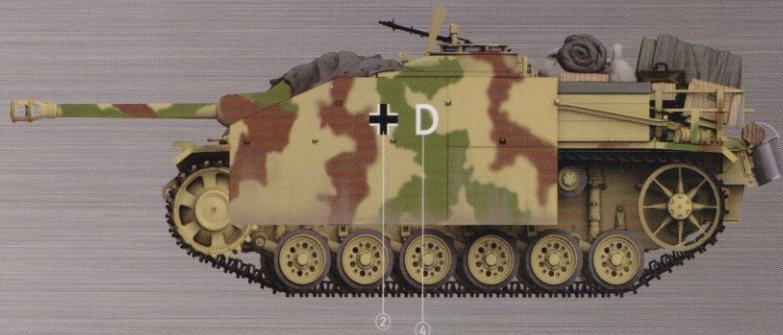


StuH42 & StuG III Ausf.G

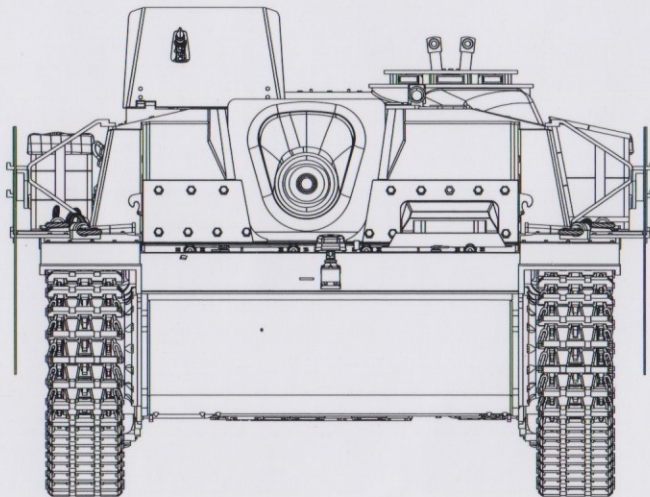
Painting and Marking Guide

TAKOM N°: 8017

Sturmgeschutz Brigade 279 Early 1943 Crimea



2024/8017



You can find TAKOM on Facebook.com