

### DETAILS AFTER REMOVAL FROM SUPPORTS



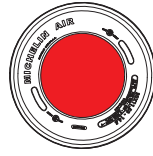
R13 x2



R11



R12



R14



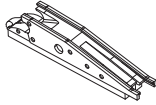
R15



R9 x2



R10 x2



R16



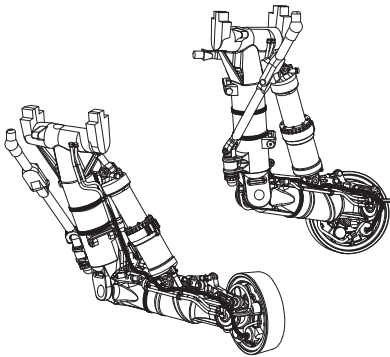
R17



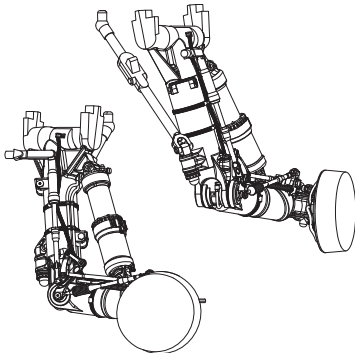
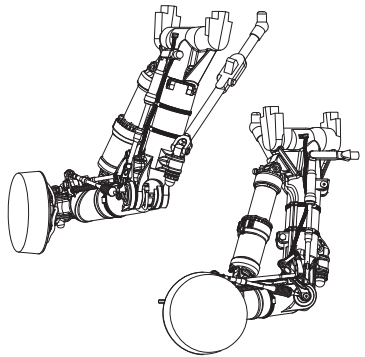
R18



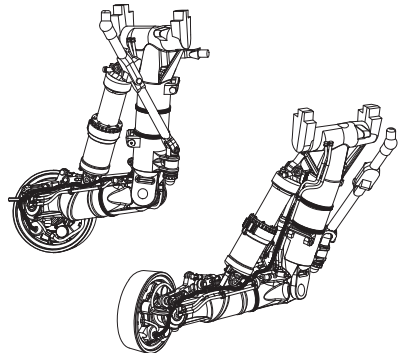
R19 x4



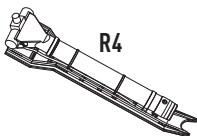
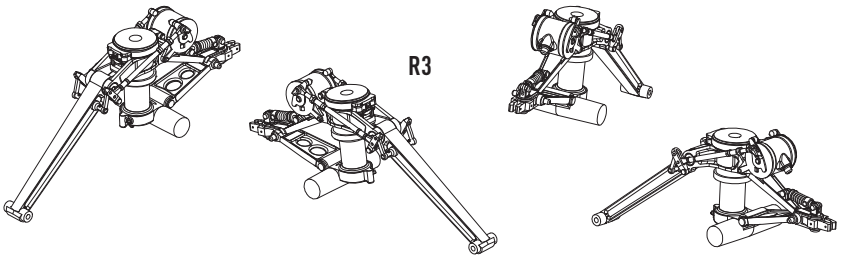
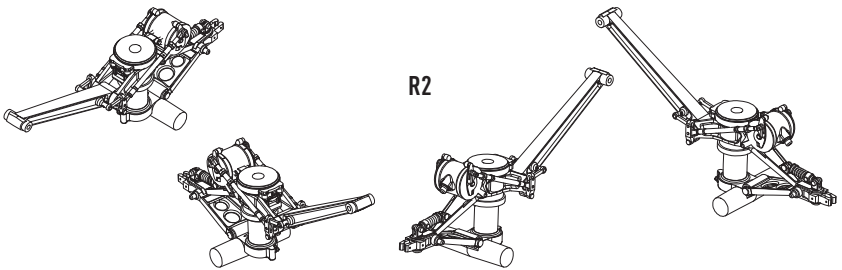
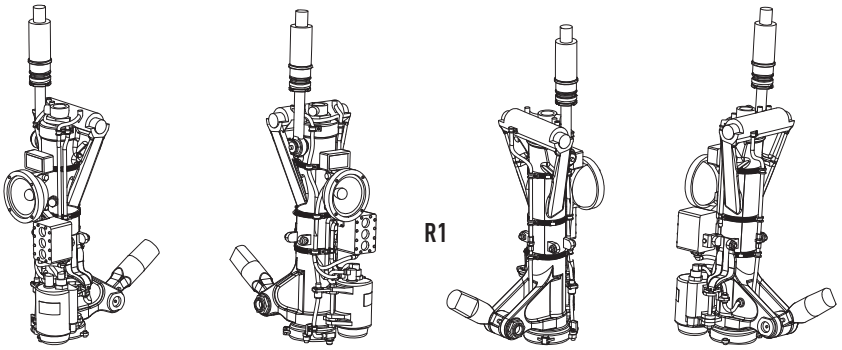
R7



R8



# DETAILS AFTER REMOVAL FROM SUPPORTS



 T1 L=27 MM, D=1 MM

 T2 X2 L=17 MM, D=1 MM

 T3 X2 L=16 MM, D=1 MM



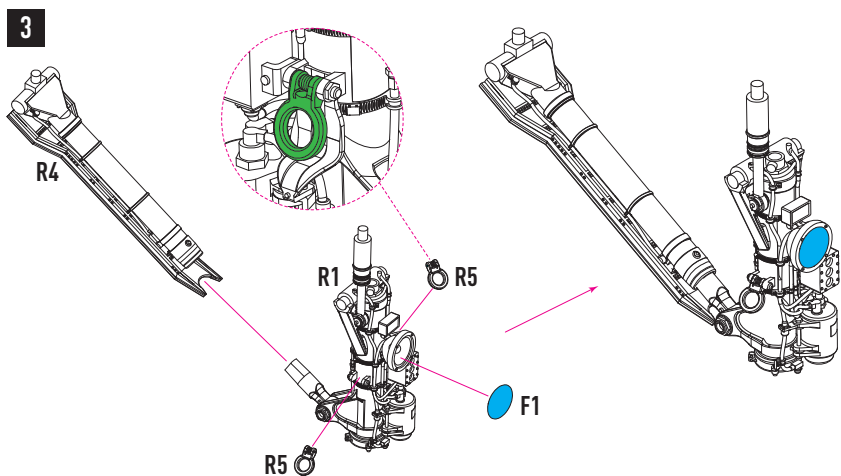
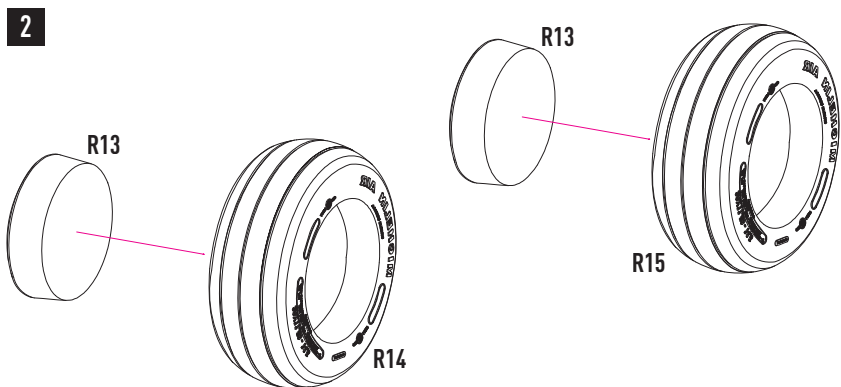
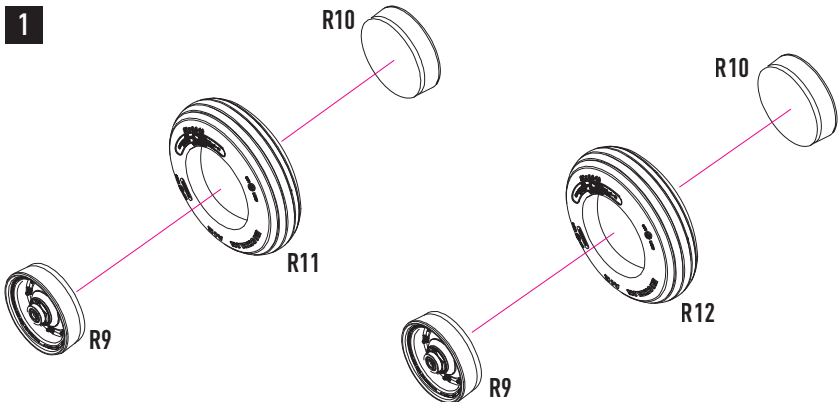
R5 X4



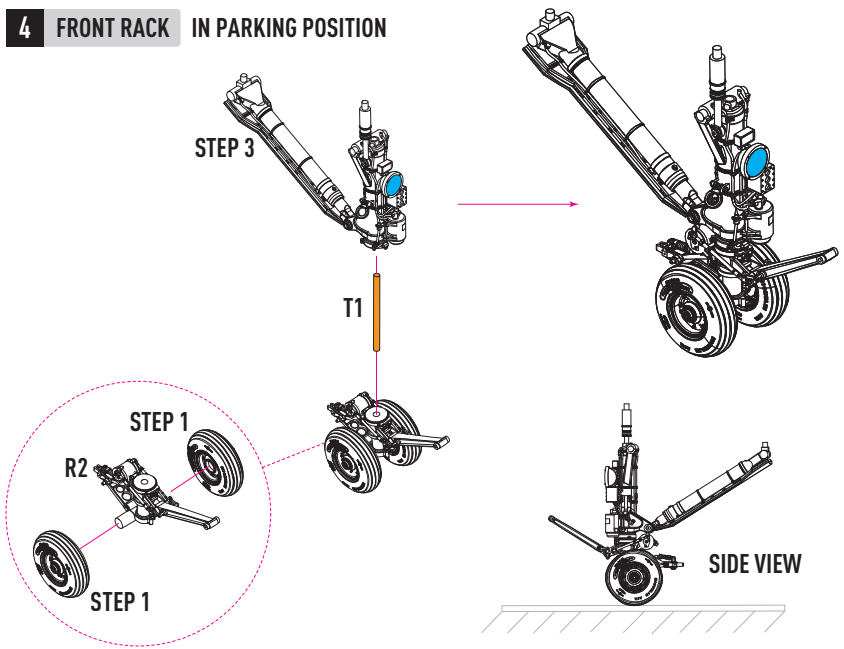
R6 X4



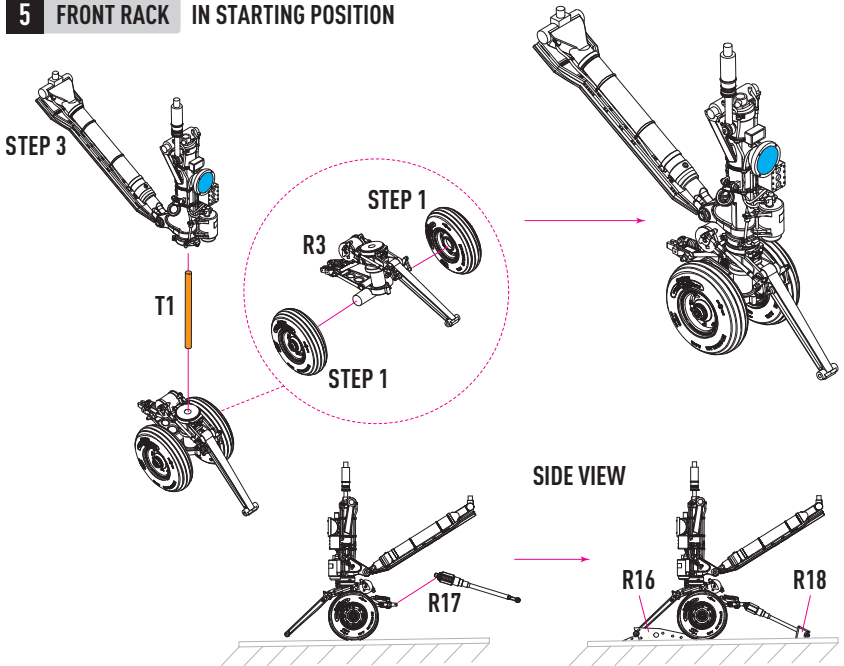
F1 X2



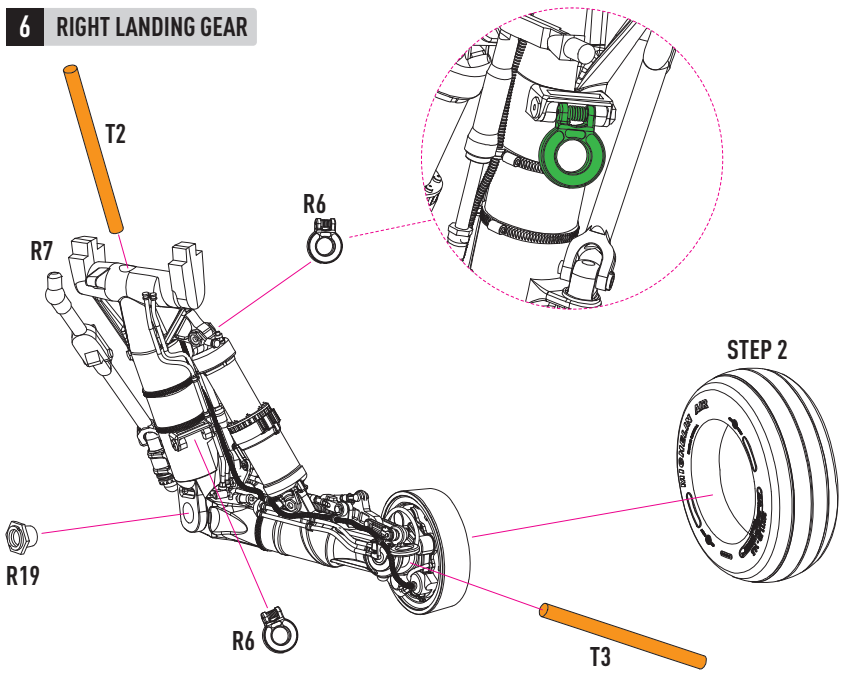
#### 4 FRONT RACK IN PARKING POSITION



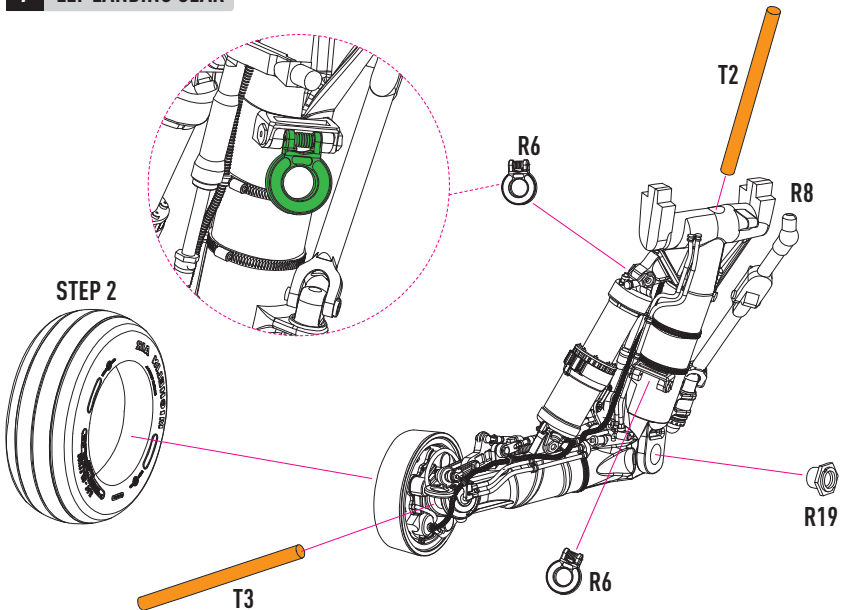
#### 5 FRONT RACK IN STARTING POSITION



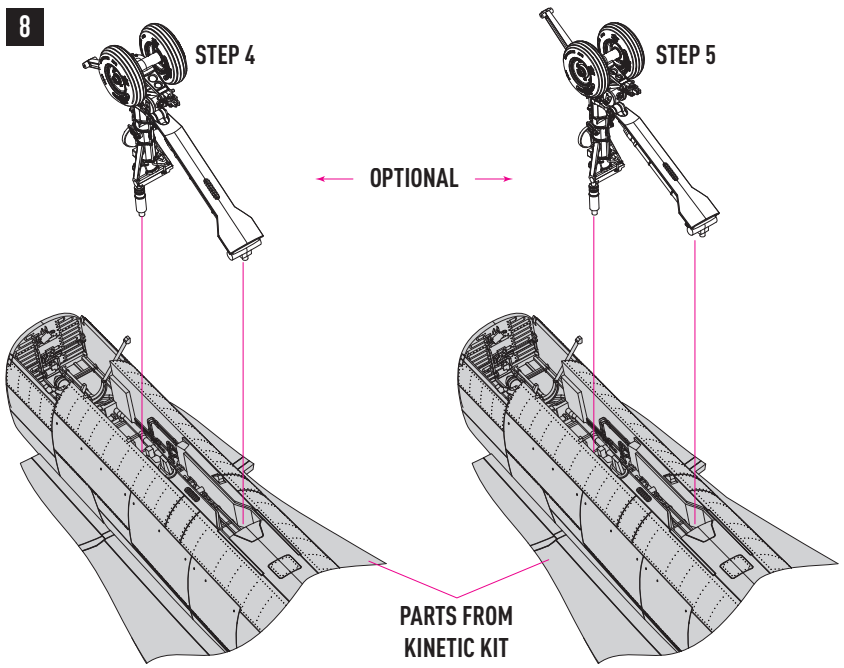
## 6 RIGHT LANDING GEAR



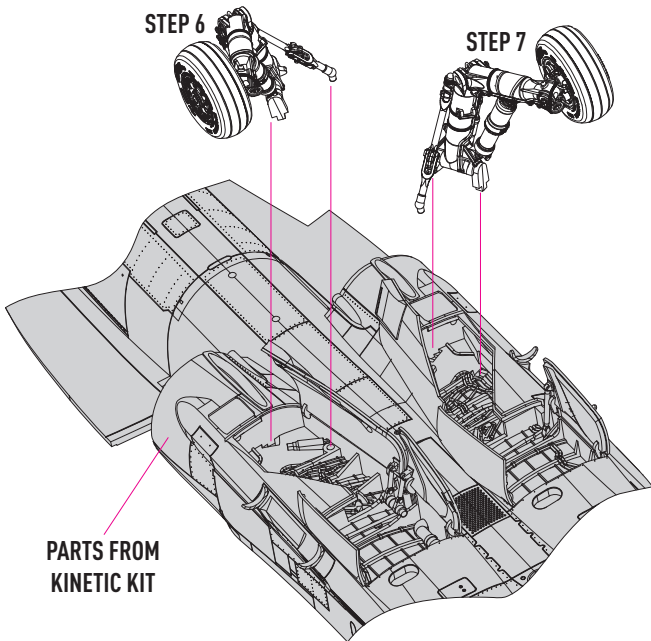
## 7 LEFT LANDING GEAR

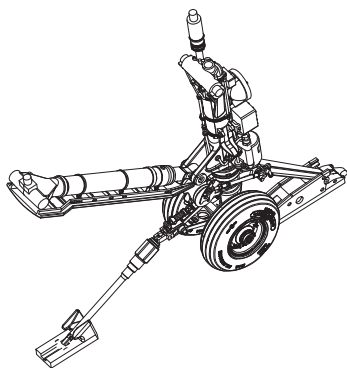
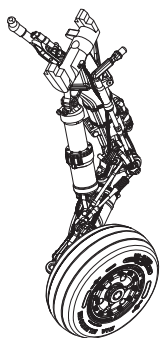
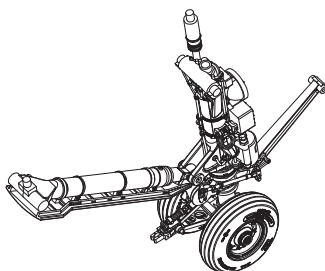
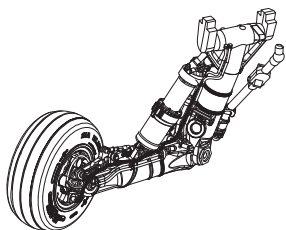
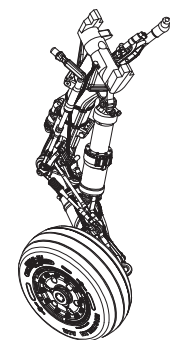
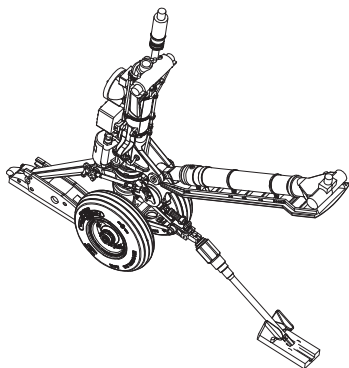
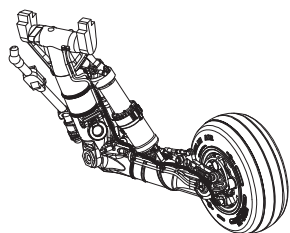
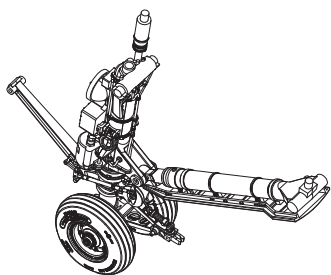


8



9





general issues: [info@reskit.com.ua](mailto:info@reskit.com.ua) / claim resolution: [claims@reskit.com.ua](mailto:claims@reskit.com.ua)

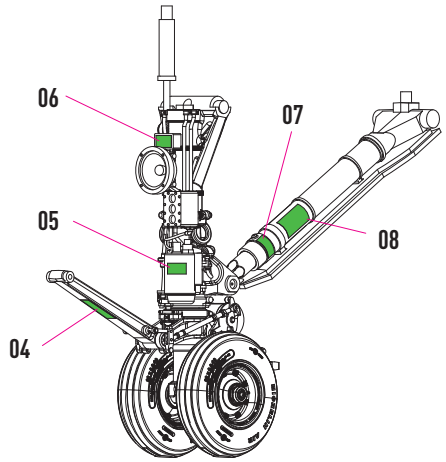
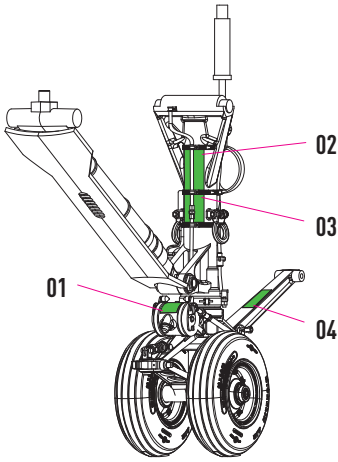
**RESKIT-MODELS.COM**

 [fb.com/reskit.official](https://fb.com/reskit.official)

 [instagram.com/reskit\\_official](https://instagram.com/reskit_official)

 [pinterest.com/reskit\\_official](https://pinterest.com/reskit_official)

### FRONT CHASSIS



### MAIN CHASSIS

