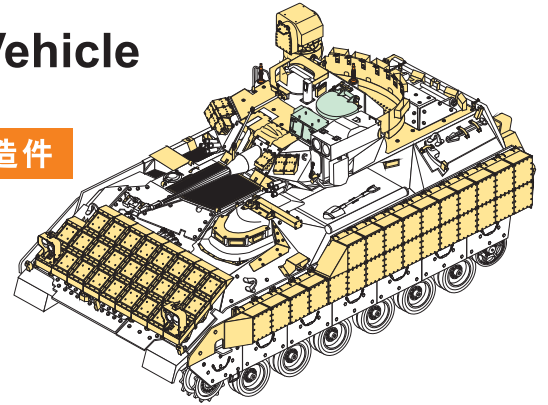


1/35 MILITARY MINIATURE VEHICLE UPGRADE SERIES PE35400

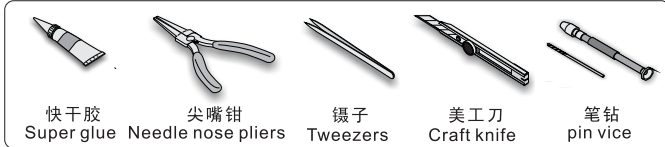
Modern US M2A3 Infantry Fighting Vehicle w/ERA Basic

现代美军M2A3 布雷德利 带反应装甲步兵战车基本改造件

[For TAMIYA 35264]



■ 推荐使用工具 RECOMMENDED TOOLS



安装 install	折叠 bend	A1 改造件零件编号 PE/resin part number	B12 原零件编号 kit part number	C22 被替换的原零件编号 replaced kit part number	另一侧相同制作 repeat on opposite side
切除 remove	打磨 grind off	弧度卷曲 radial bending	x2 制作若干组 multiple assembly	选择安装 alternative	钻孔 drill
					填补 fill

用尖端在凹槽处冲压
use penpoint to press on the dent

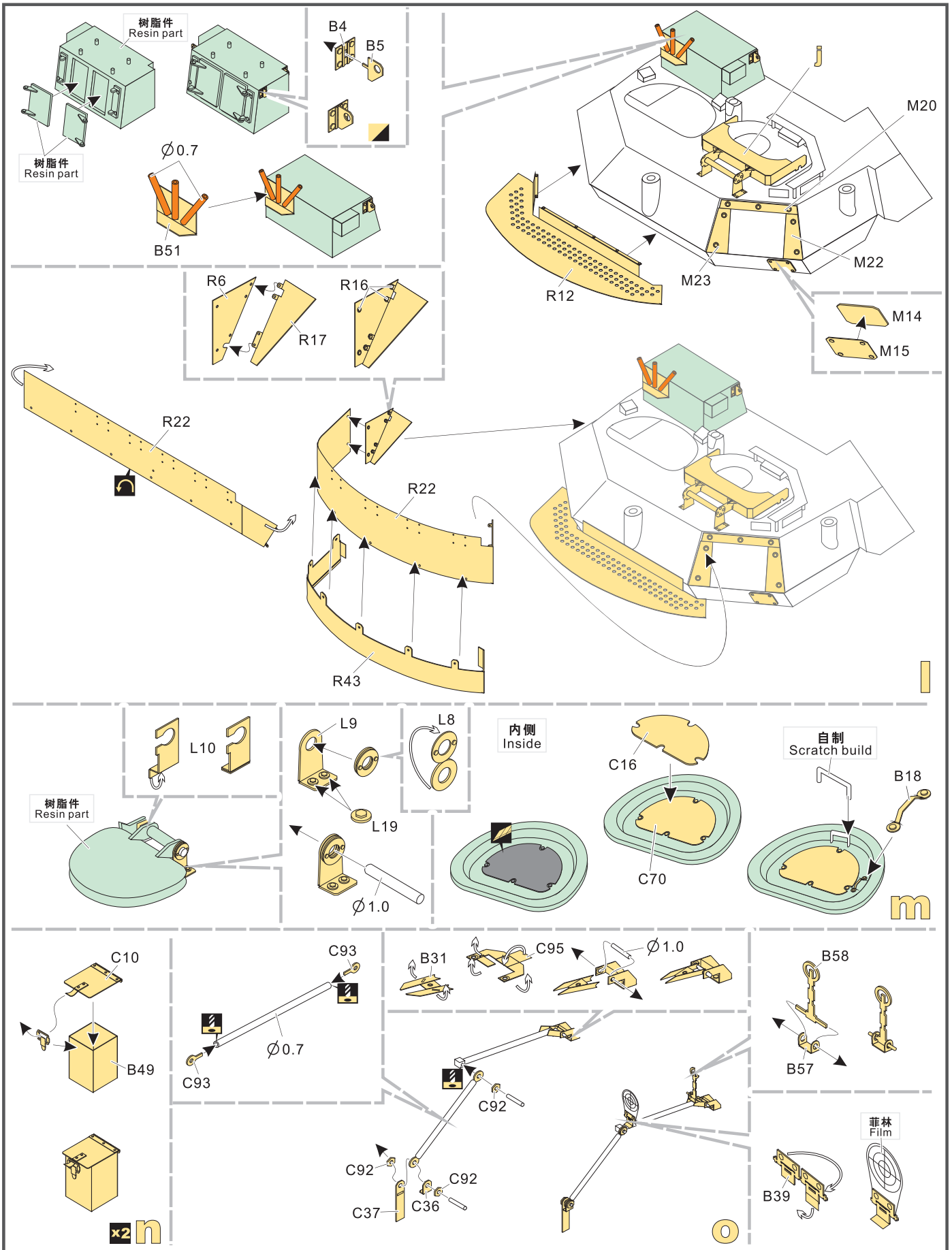
蚀刻片零件内朝面上
Put the part upside down

用笔尖在凹槽处刺
Use penpoint to press on the dent

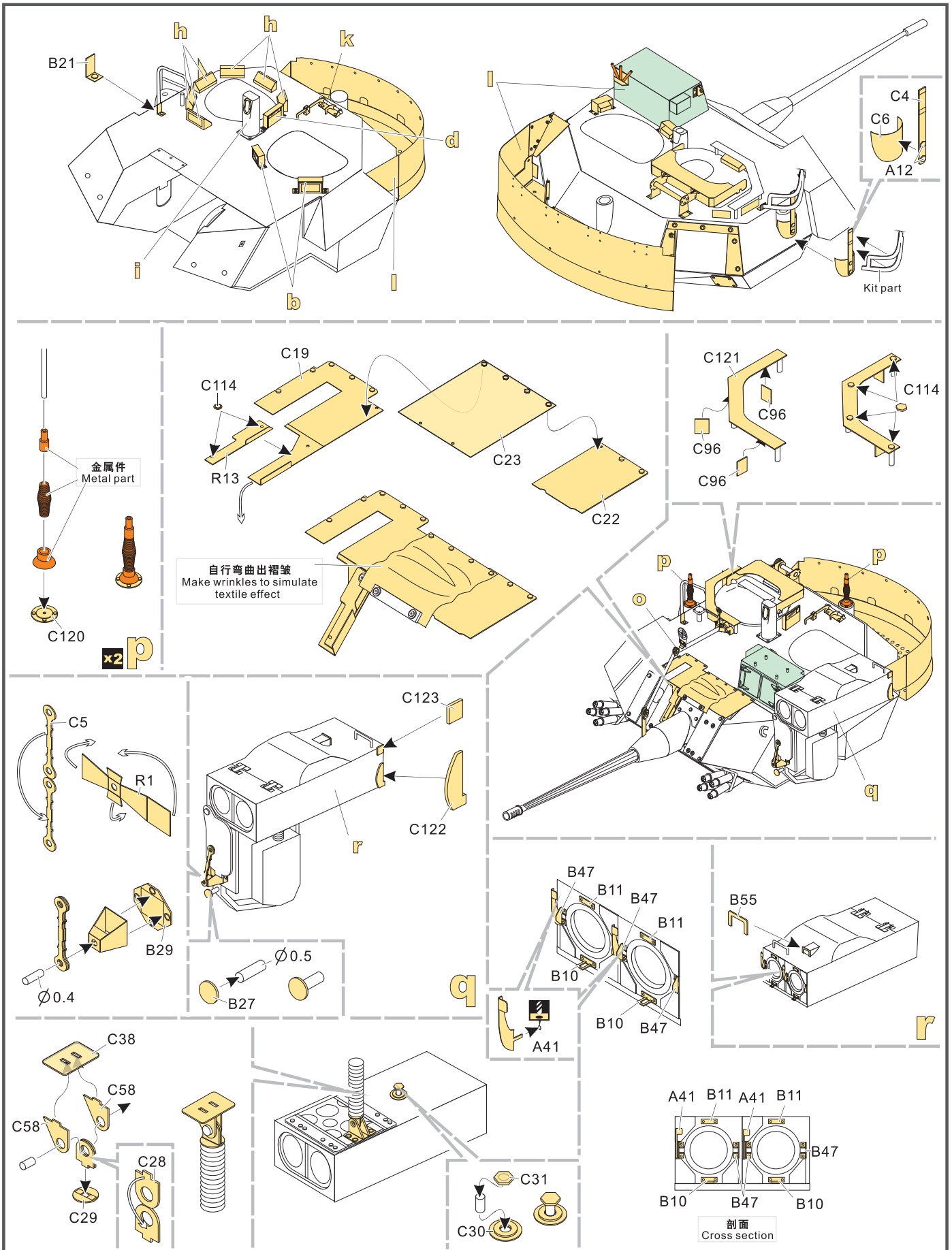
The main assembly diagram is divided into several sections labeled a through k:

- a:** Installation of part B23 with Film.
- b:** Installation of parts B36 and C114 (x2).
- c:** Installation of part R42 (x4).
- d:** Installation of parts B50 and C114.
- e:** Installation of parts R9, R14, R38, and C114 (with hole diameter $\varnothing 0.5$).
- f:** Installation of parts R9, R14, R37, and C114 (with hole diameter $\varnothing 0.5$).
- g:** Installation of parts R9, R14, R40, and C114 (with hole diameter $\varnothing 0.5$).
- h:** Installation of parts C11, C12, C98, C99, B48, and Film (x10).
- i:** Installation of part D2.
- j:** Installation of parts B52, C47, C48, and C15 (with hole diameter $\varnothing 1.0$).
- k:** Installation of parts C39, C35, C34, C17, and C17 (with hole diameter $\varnothing 0.5$).

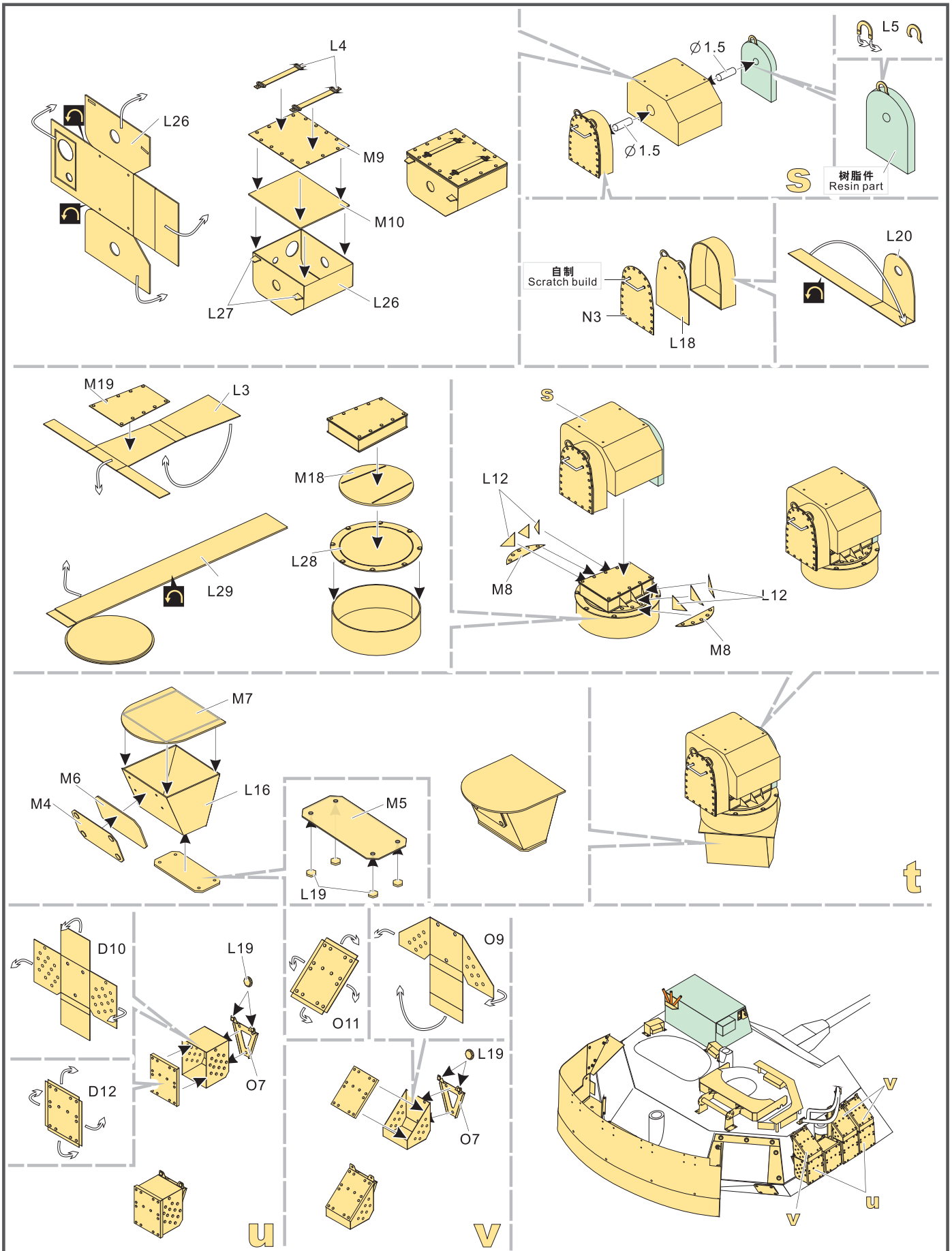
1/35 MILITARY MINIATURE VEHICLE UPGRADE SERIES PE35400



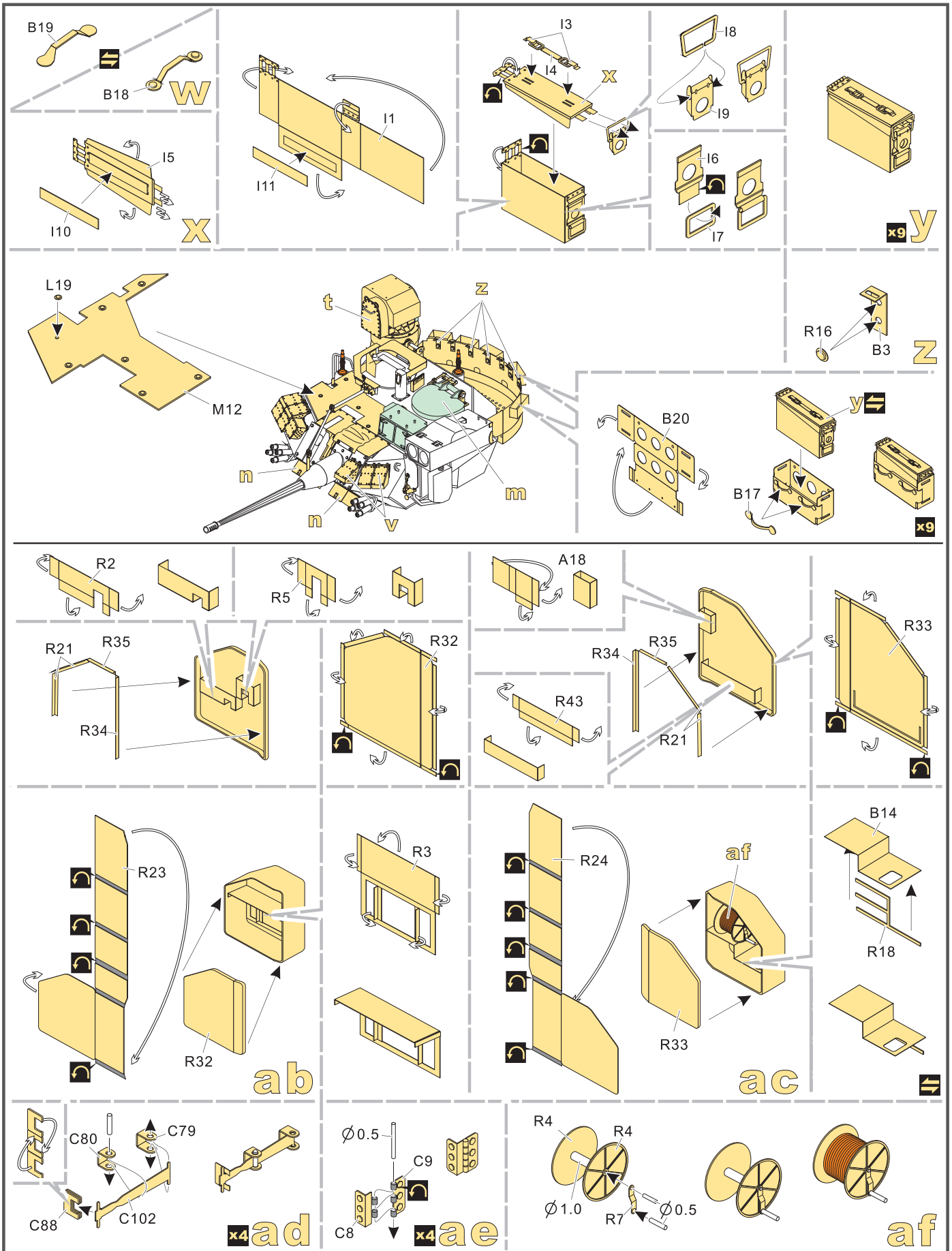
1/35 MILITARY MINIATURE VEHICLE UPGRADE SERIES PE35400



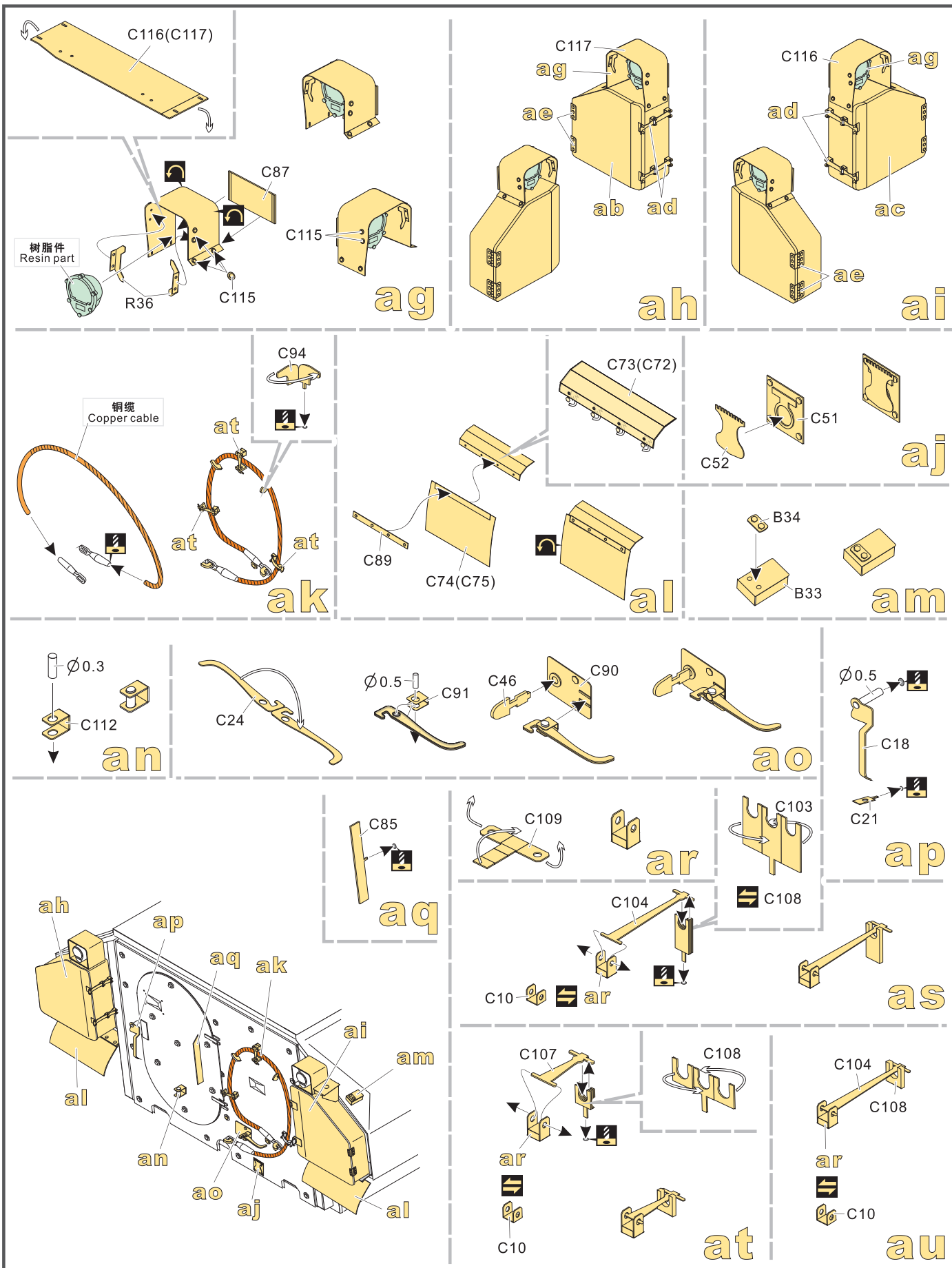
1/35 MILITARY MINIATURE VEHICLE UPGRADE SERIES PE35400



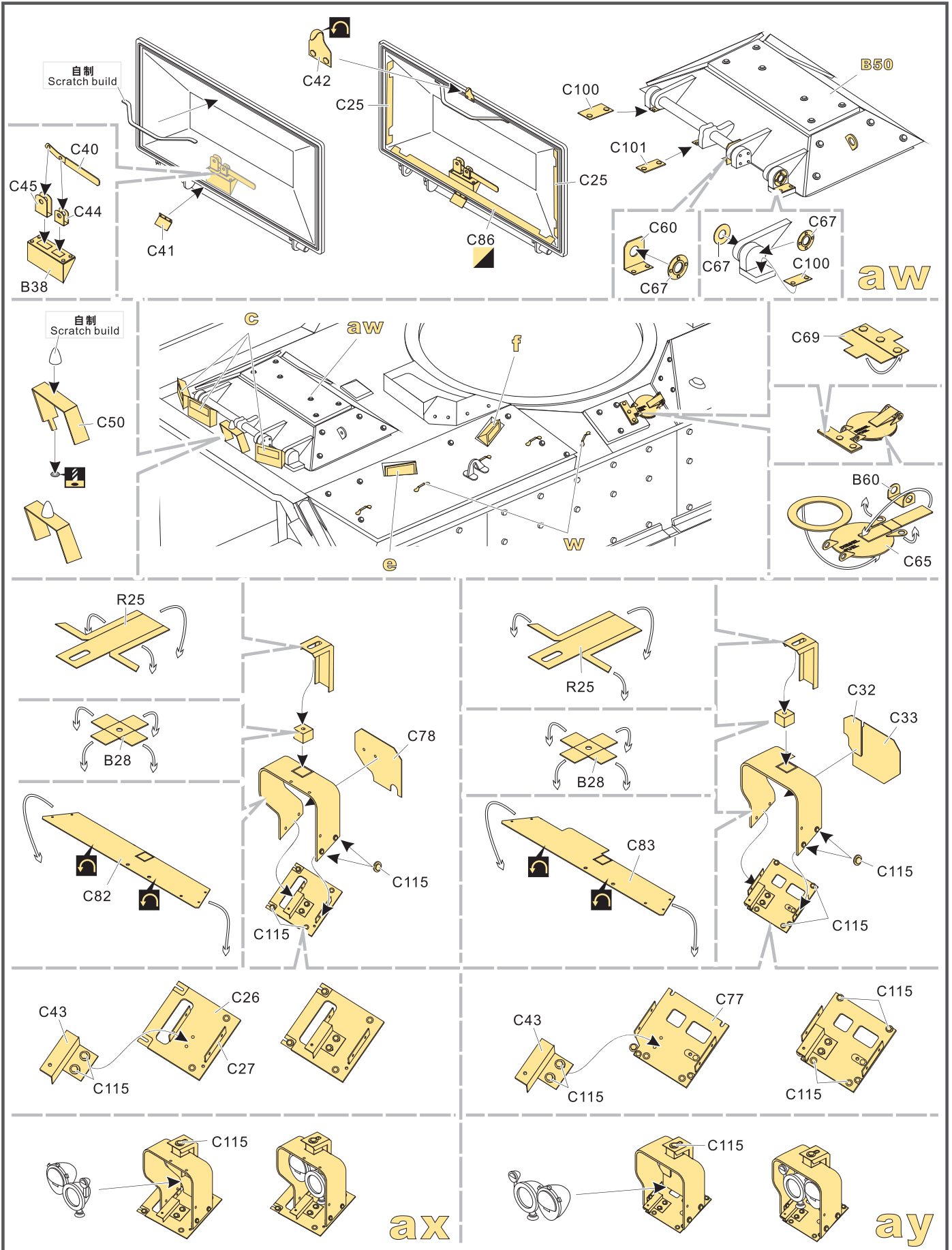
1/35 MILITARY MINIATURE VEHICLE UPGRADE SERIES PE35400



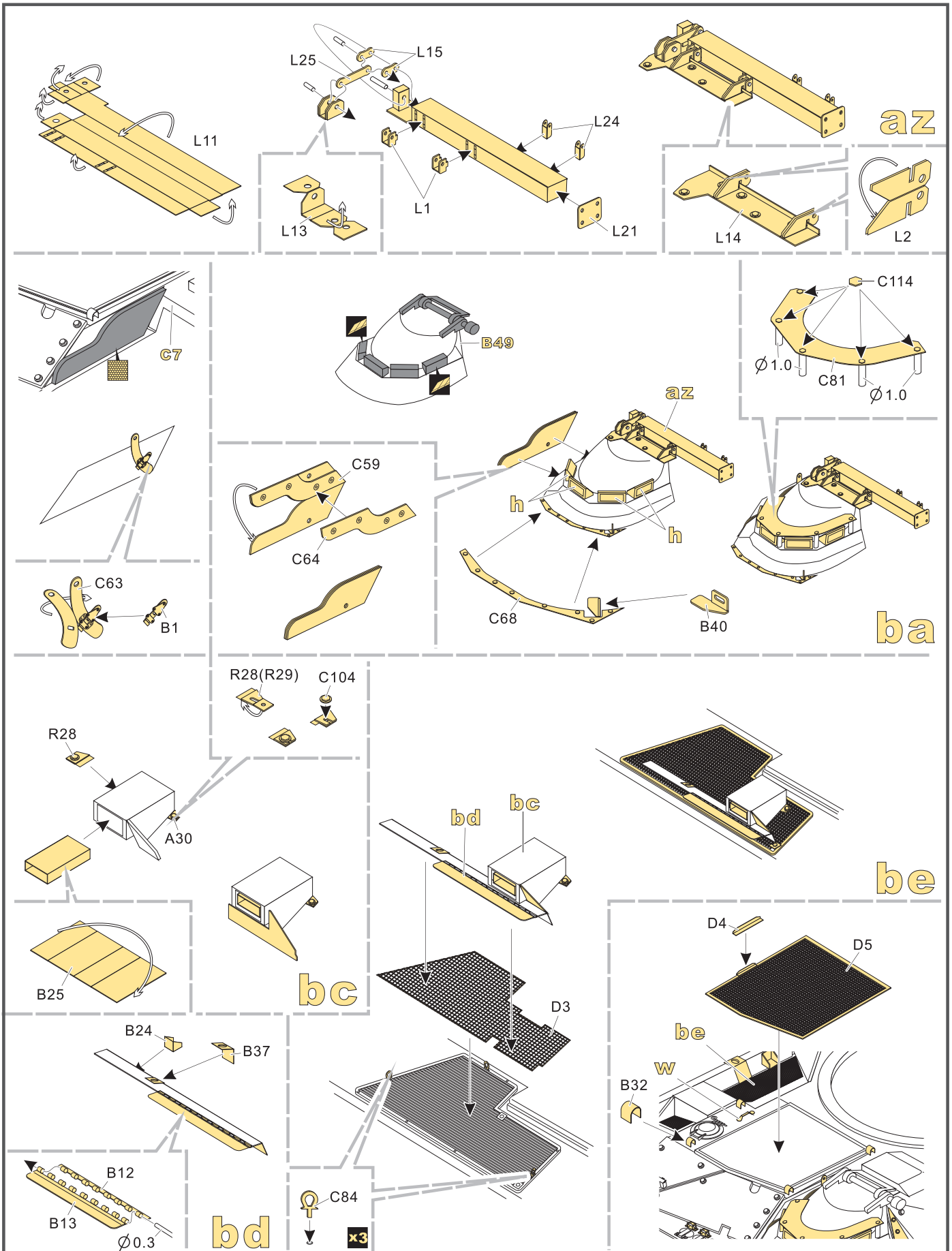
1/35 MILITARY MINIATURE VEHICLE UPGRADE SERIES PE35400



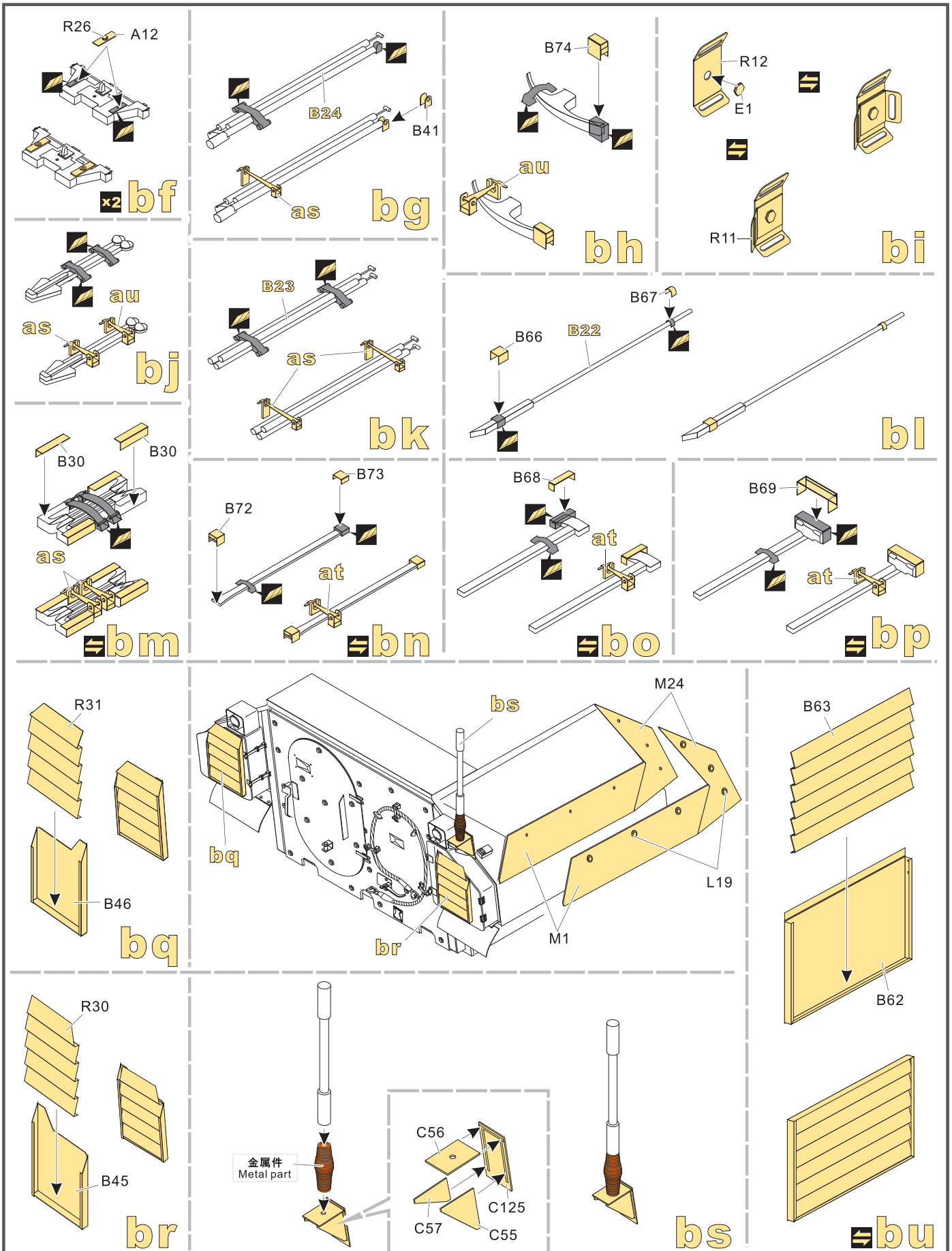
1/35 MILITARY MINIATURE VEHICLE UPGRADE SERIES PE35400



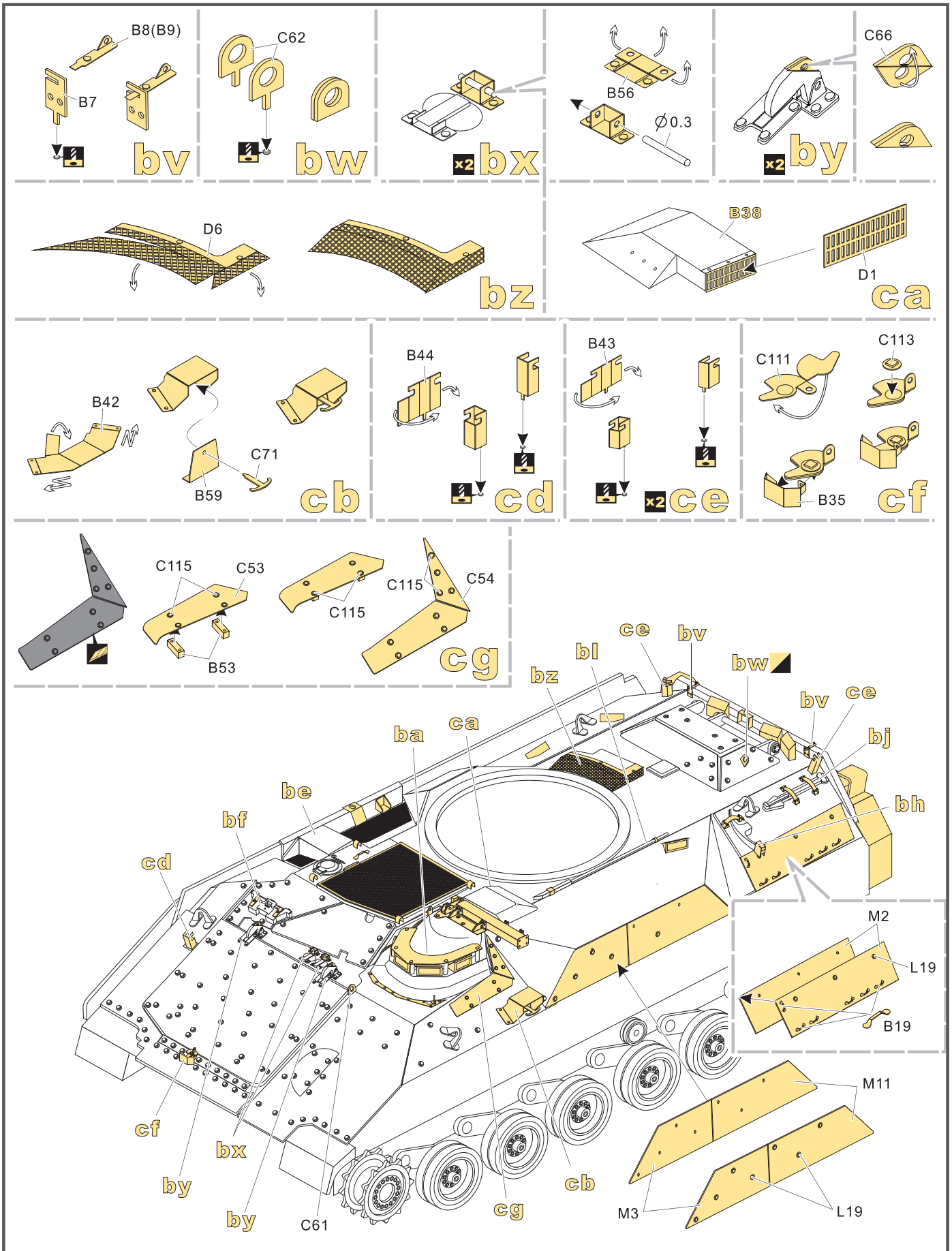
1/35 MILITARY MINIATURE VEHICLE UPGRADE SERIES PE35400



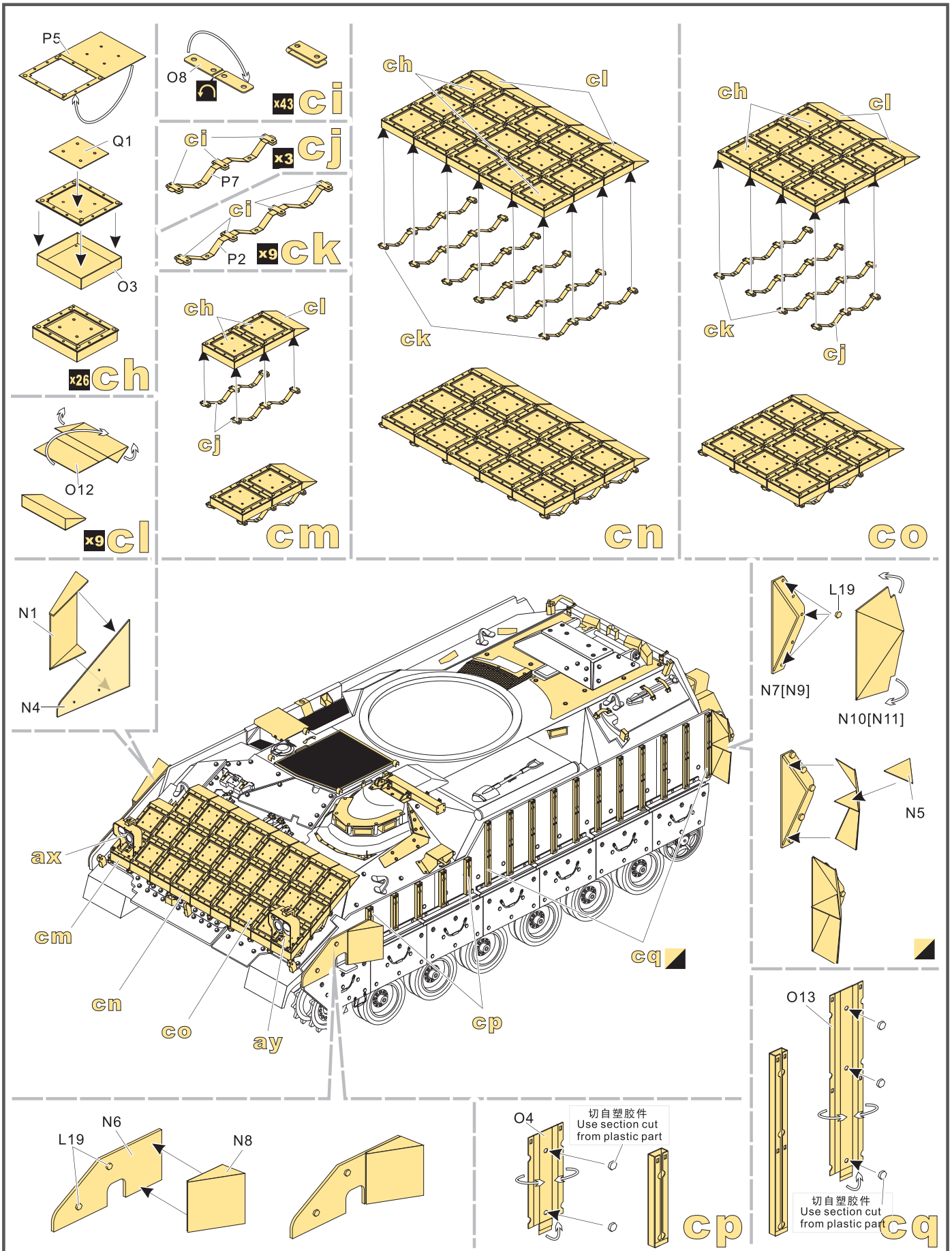
1/35 MILITARY MINIATURE VEHICLE UPGRADE SERIES PE35400



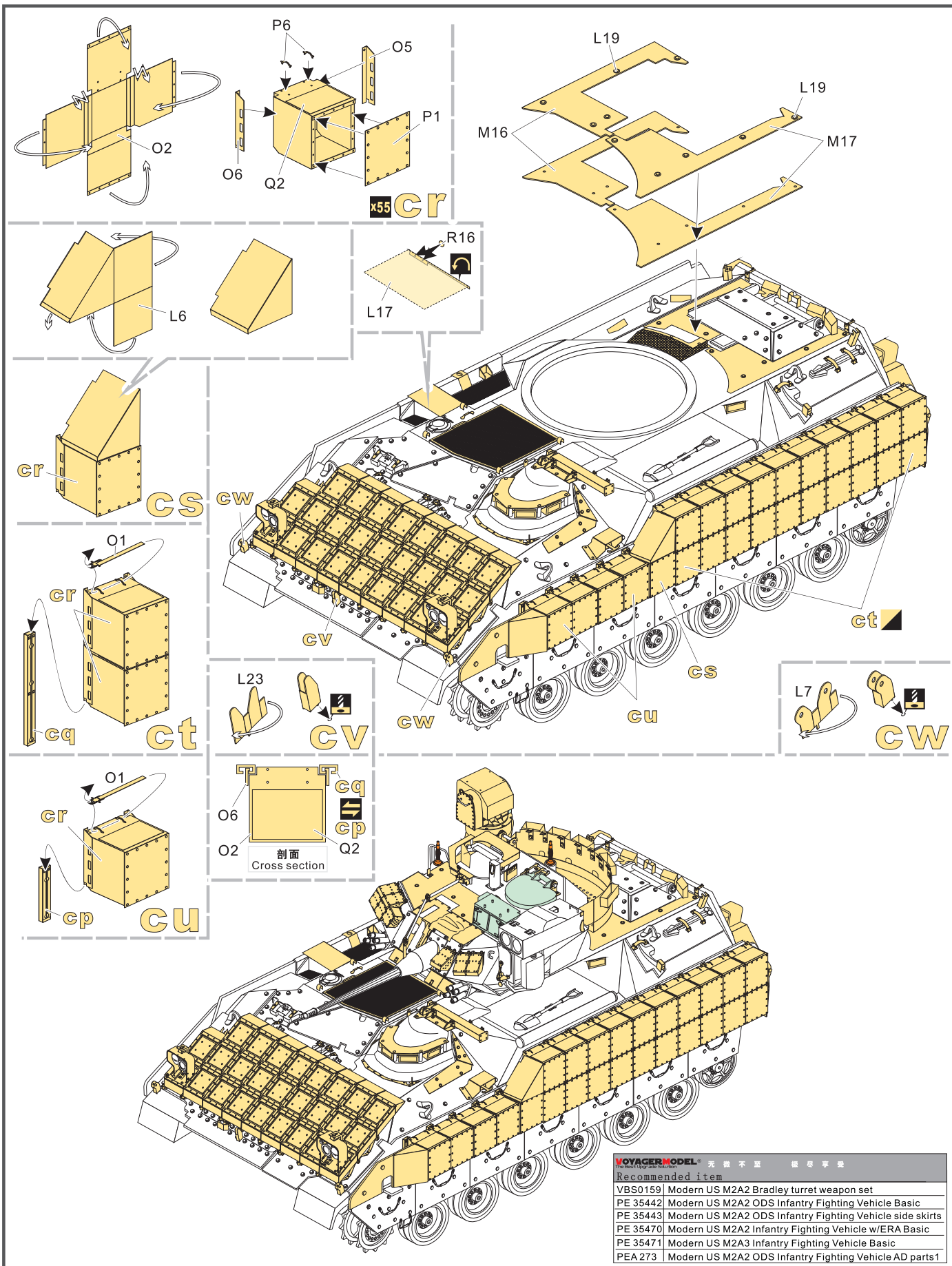
1/35 MILITARY MINIATURE VEHICLE UPGRADE SERIES PE35400



1/35 MILITARY MINIATURE VEHICLE UPGRADE SERIES PE35400



1/35 MILITARY MINIATURE VEHICLE UPGRADE SERIES PE35400



VOYAGERMODEL® 沃雅 沃雅 沃雅 沃雅 沃雅

Recommended item

VBS0159	Modern US M2A2 Bradley turret weapon set
PE 35442	Modern US M2A2 ODS Infantry Fighting Vehicle Basic
PE 35443	Modern US M2A2 ODS Infantry Fighting Vehicle side skirts
PE 35470	Modern US M2A2 Infantry Fighting Vehicle w/ERA Basic
PE 35471	Modern US M2A3 Infantry Fighting Vehicle Basic
PEA 273	Modern US M2A2 ODS Infantry Fighting Vehicle AD parts1