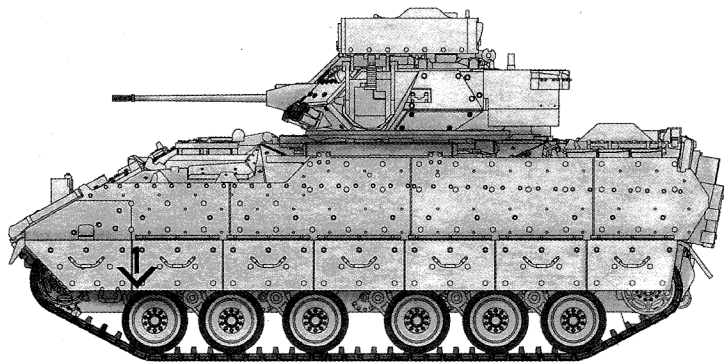


1:72 SCALE

ITEM NO.:07296

M2A2 Bradley Fighting Vehicle

美国M2A2布雷德利战车



READ BEFORE ASSEMBLY:

装配之前仔细阅读

- Study and understand these instructions thoroughly before beginning assembly
- When needed, remove photo-etch parts carefully using a modeling knife or photo etch sprue cutter, being careful not to damage or lose small parts.
- Take extra care in handling photo etch parts in order to avoid injury
- Apply instant cement sparingly to photo etch parts where instructed
- Tools recommended(not included in kit):Plastic and instant cements,sprue cutters,long nose pliers,modeling knife, small files, tweezers, pin vise & scissors. Soft cloth and sandpaper will also assist in construction
- Glue and paint are not included in the kit. Use plastic cement and hobby paints only. Color guide for purchasing paint is included in the kit.
- 小心用模型锉刀锉平所有零件表面的注射浇口。
- 小心用刀片切下蚀刻片零件，不要遗失小零件。
- 用强力快干胶水粘合蚀刻片零件和金属轴。过量的快干胶水使用可能导致可动零件会粘住，小心涂胶。
- 取蚀刻片时应特别注意安全，防止利边划伤手指。
- 某些零件表面需贴水上贴纸，请选择在装配的同时进行。
- 推荐模型工具(自备)：胶水，水口剪刀，长咀钳，刀片，锉刀，镊子，钳，钻，剪刀，瞬间快干胶。
- 软布同砂纸同时也应该是必备工具。
- 请使用塑料胶水和油漆，模型内不含。



cyanoacrylate glue
使用强力胶



weight
配重



make hole
钻孔



cut / remove
切除



bend
弯曲



file / sand
锉平



optional
选择



no cement
不涂胶水



decal
贴纸

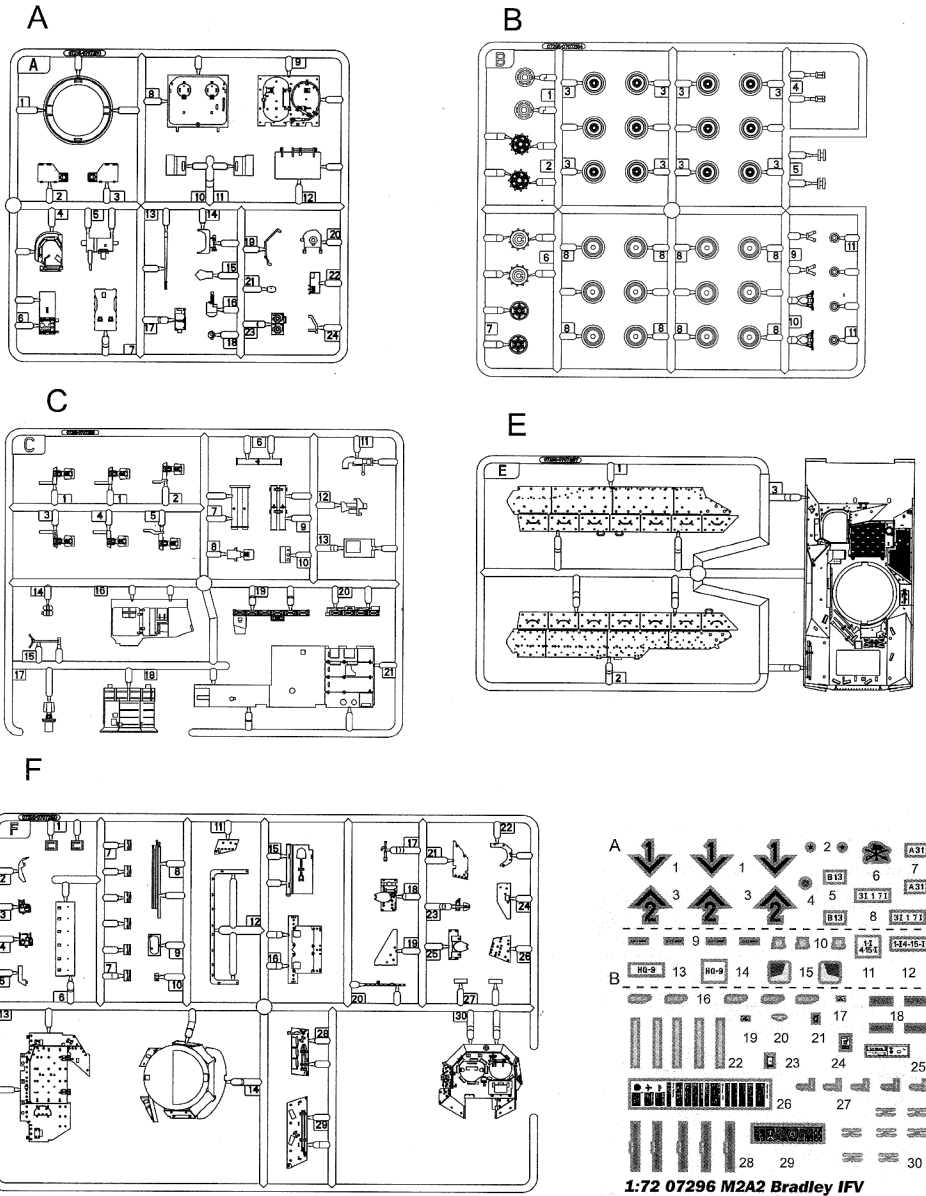
水贴纸的使用:

1. 从水贴上剪下印花;
2. 将印花放入温水中浸10秒, 然后放在干净布上。
3. 拿着印花纸板将印花移到模型上;
4. 手指蘸水将印花移到适当的位置;
5. 用软布轻压印花直至水干, 气泡消失。

DECAL APPLICATION

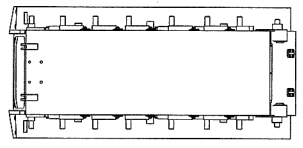
1. Cut off decal from sheet.
2. Dip the decal in tepid water 40°C for about 10 sec. and place on a clean cloth.
3. Hold the backing sheet edge and slide decal onto the model.
4. Move decal into position by wetting decal with finger.
5. Press decal gently down with a soft cloth until excess water and air bubbles are gone.
6. Allow decal to dry completely before handling model.

部品图 Parts



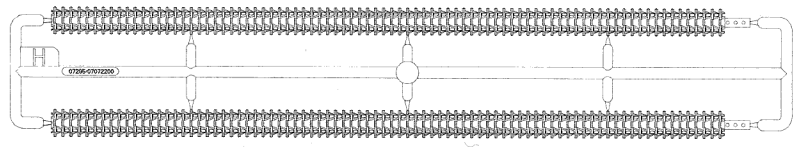
- A**
- 1 ↓
 - 2 ●
 - 3 ↑
 - 4 ●
 - 5 ●
 - 6 A31
 - 7 A31
 - 8 31.1.1
 - 9 13
 - 10 14
 - 11 12
 - 12 13
 - 13 14
 - 14 15
 - 15 16
 - 16 17
 - 17 18
 - 18 19
 - 19 20
 - 20 21
 - 21 22
 - 22 23
 - 23 24
 - 24 25
 - 25 26
 - 26 27
 - 27 28
 - 28 29
 - 29 30
- B**
- 1:72 07296 M2A2 Bradley IFV**

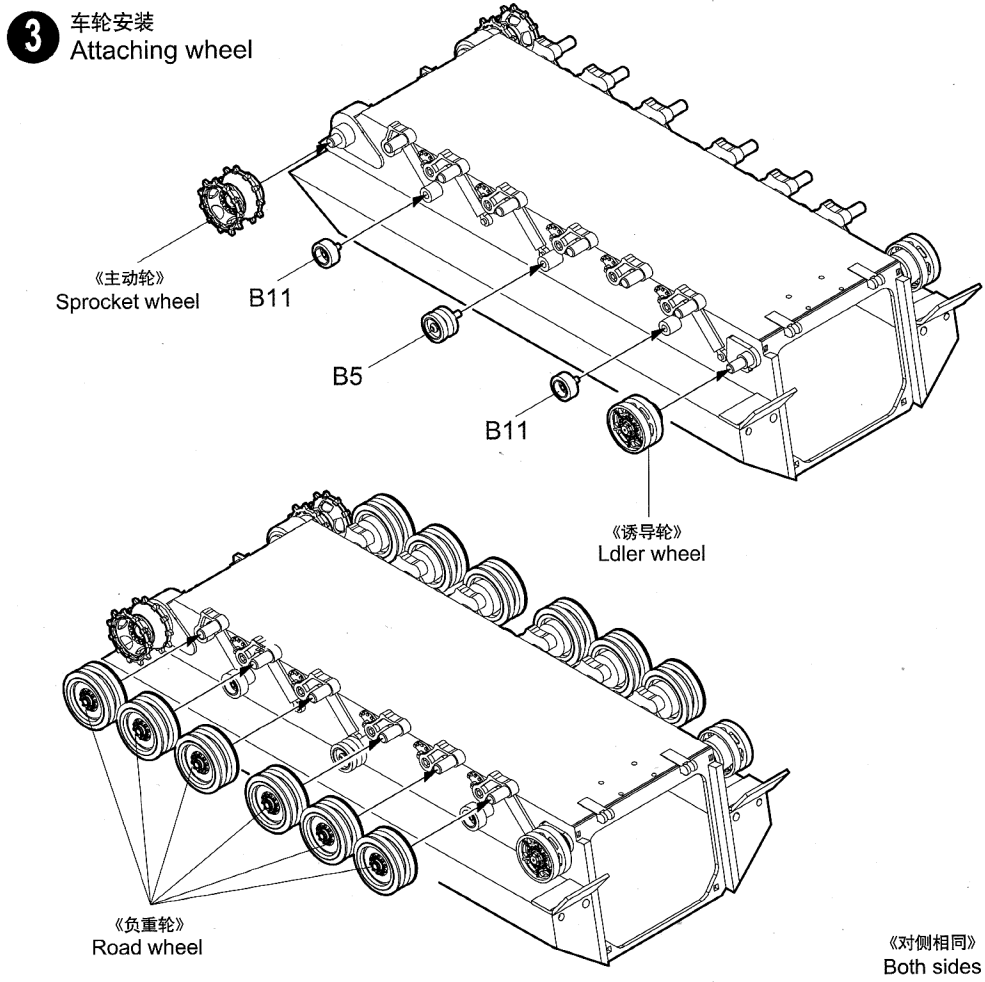
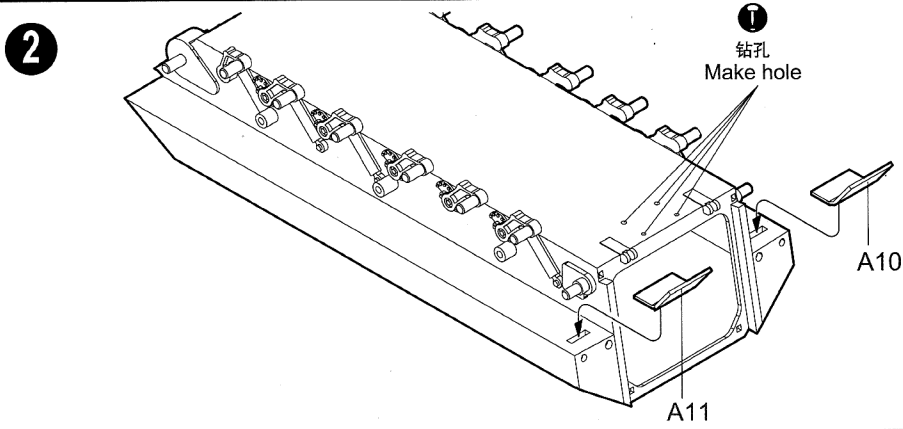
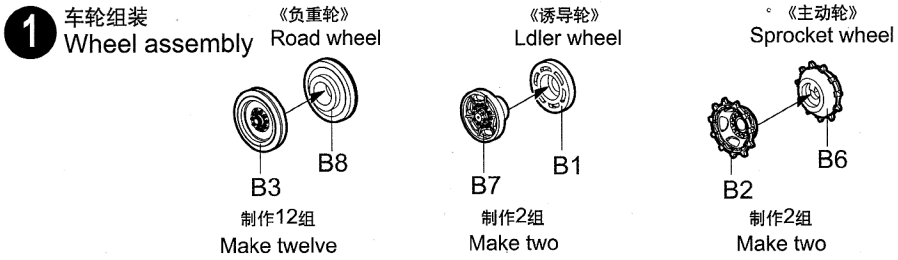
《车底》
Lower hull

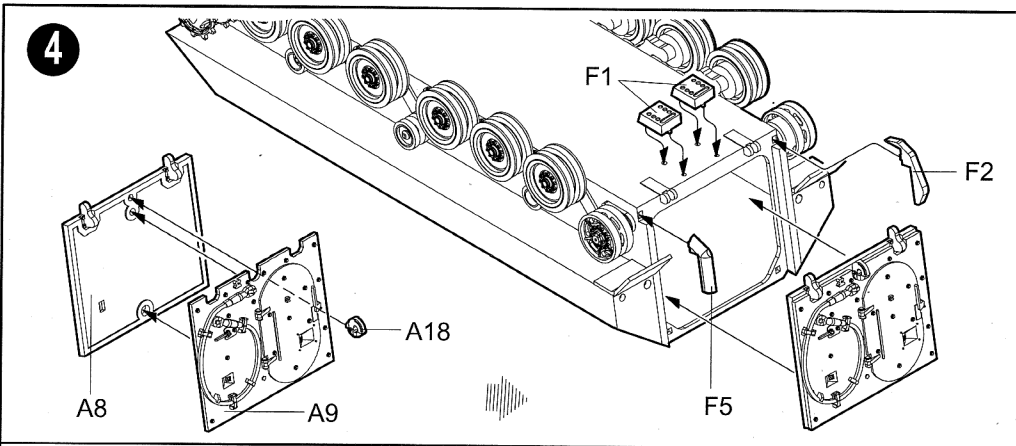


《水贴纸》
Decal

《履带》
Track

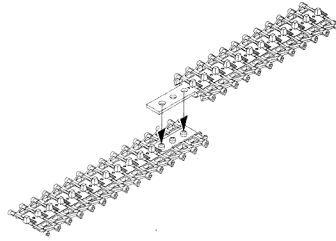




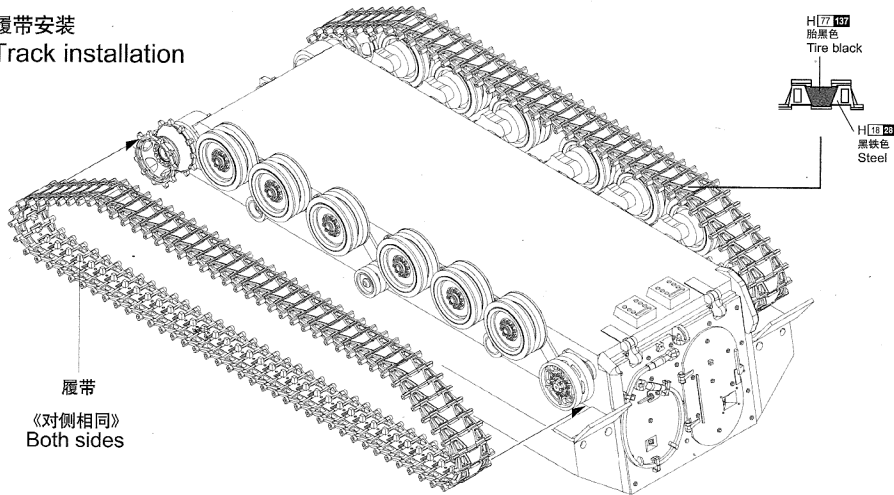


5 履带连接
Track construction

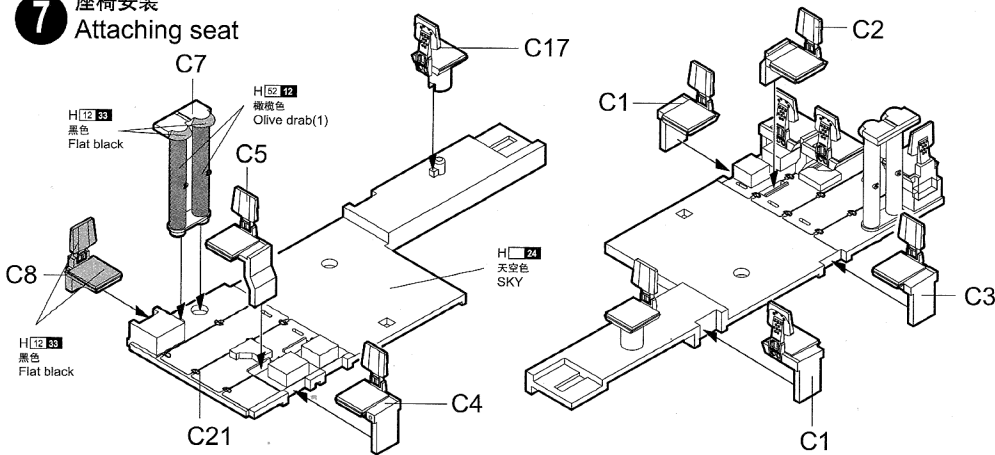
- * 履带可用塑料胶水粘合
- * 履带可用模型油漆粘合
- * 若履带断裂,用细线固定
- * The tracks in this kit can be glued using plastic cement.
- * The tracks can be painted using plastic paints.
- * If track is broken strengthen with staples or thread.



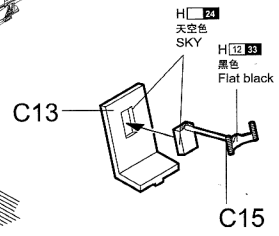
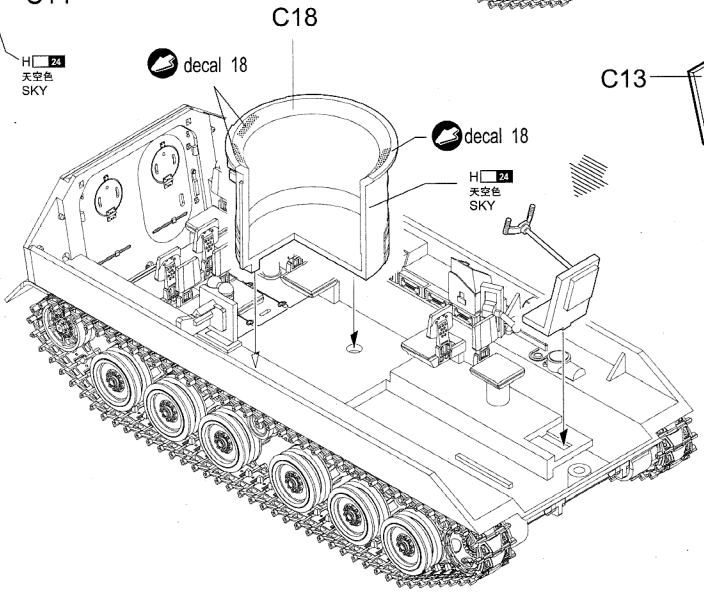
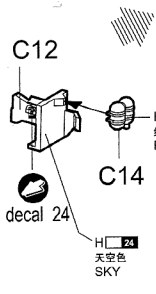
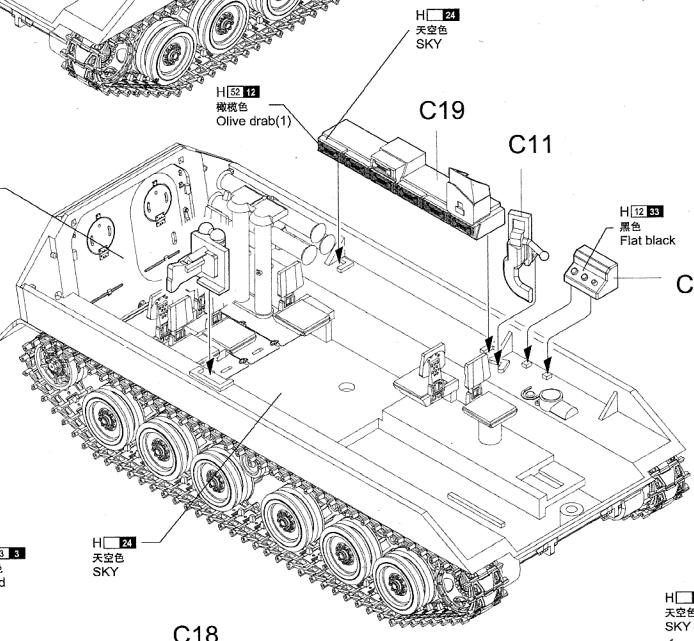
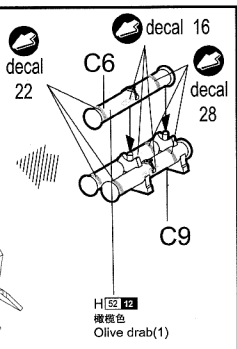
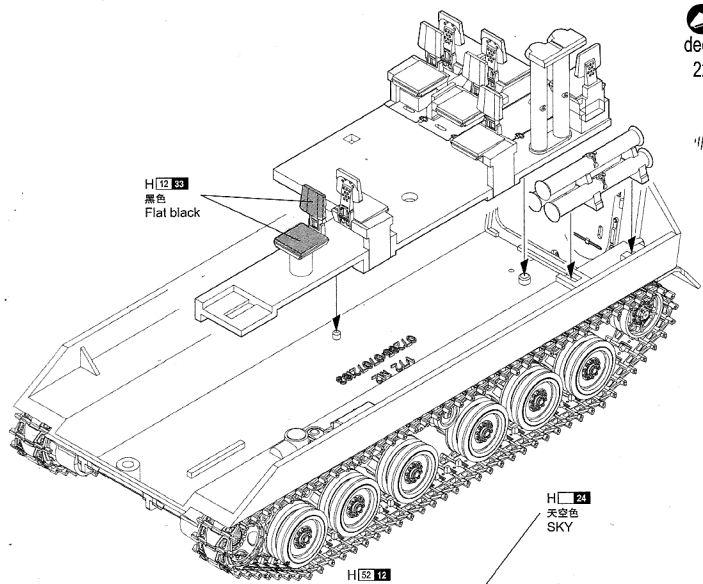
6 履带安装
Track installation



7 座椅安装
Attaching seat



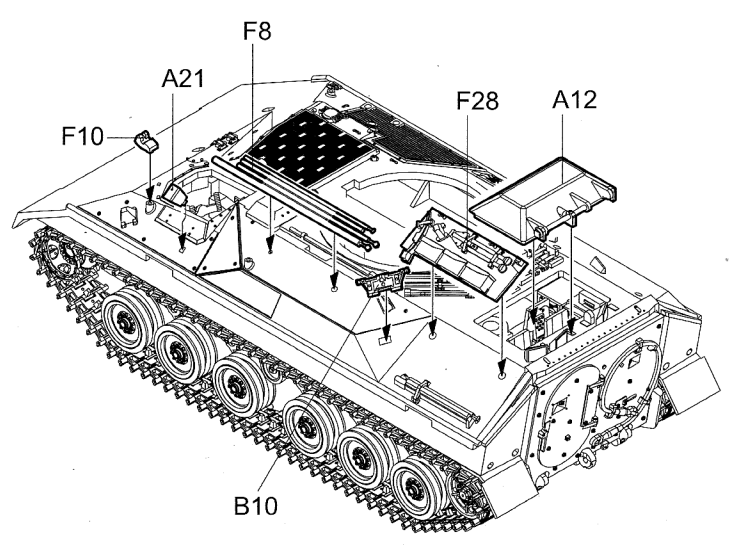
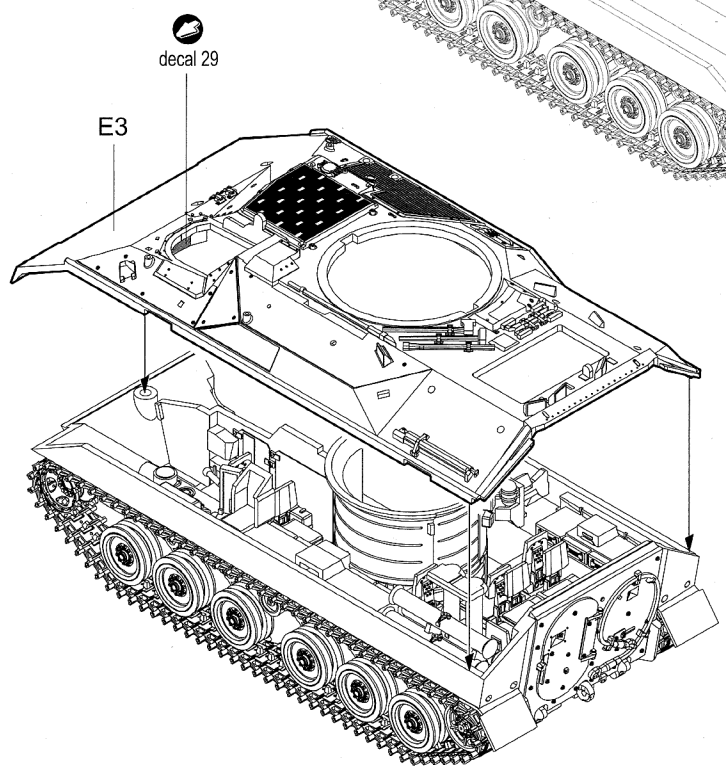
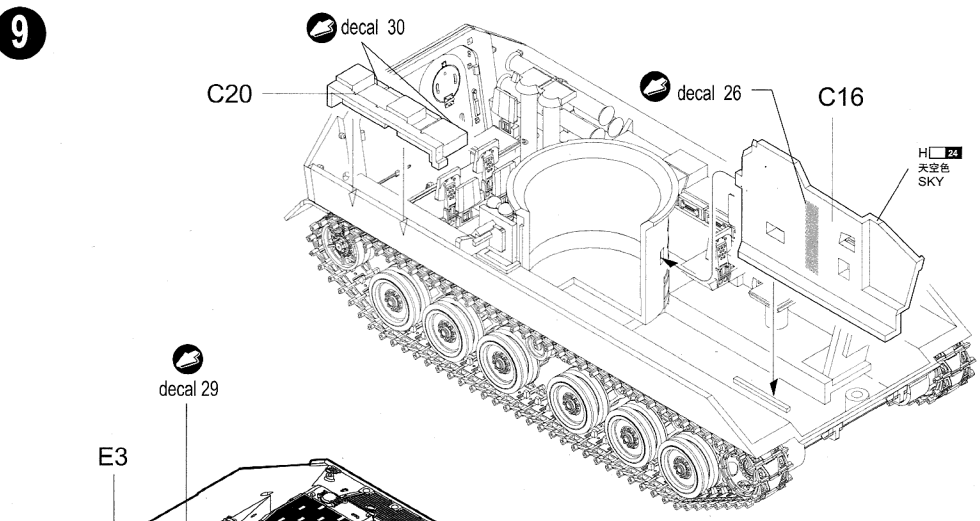
8



07296

5

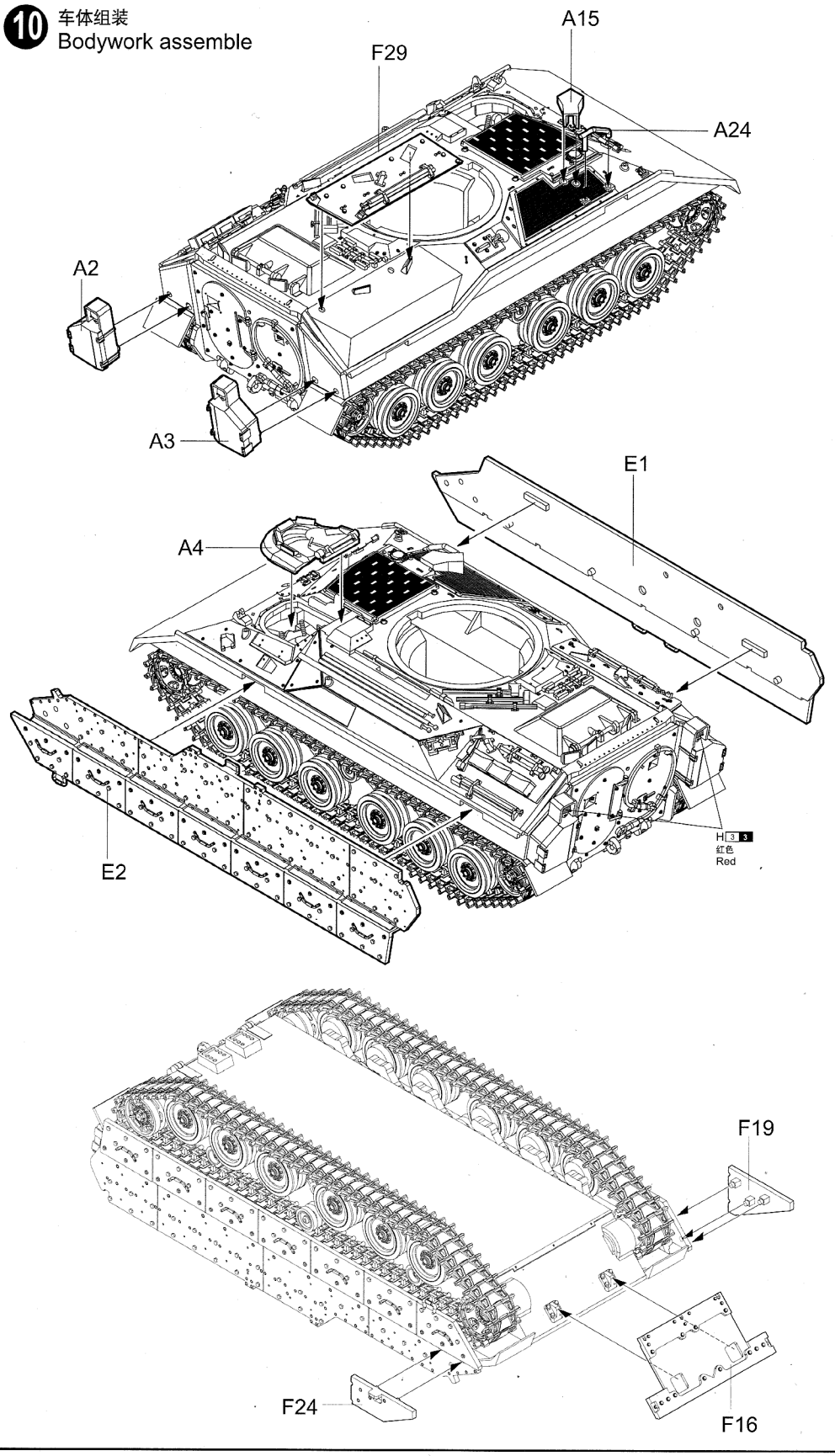
9



07296

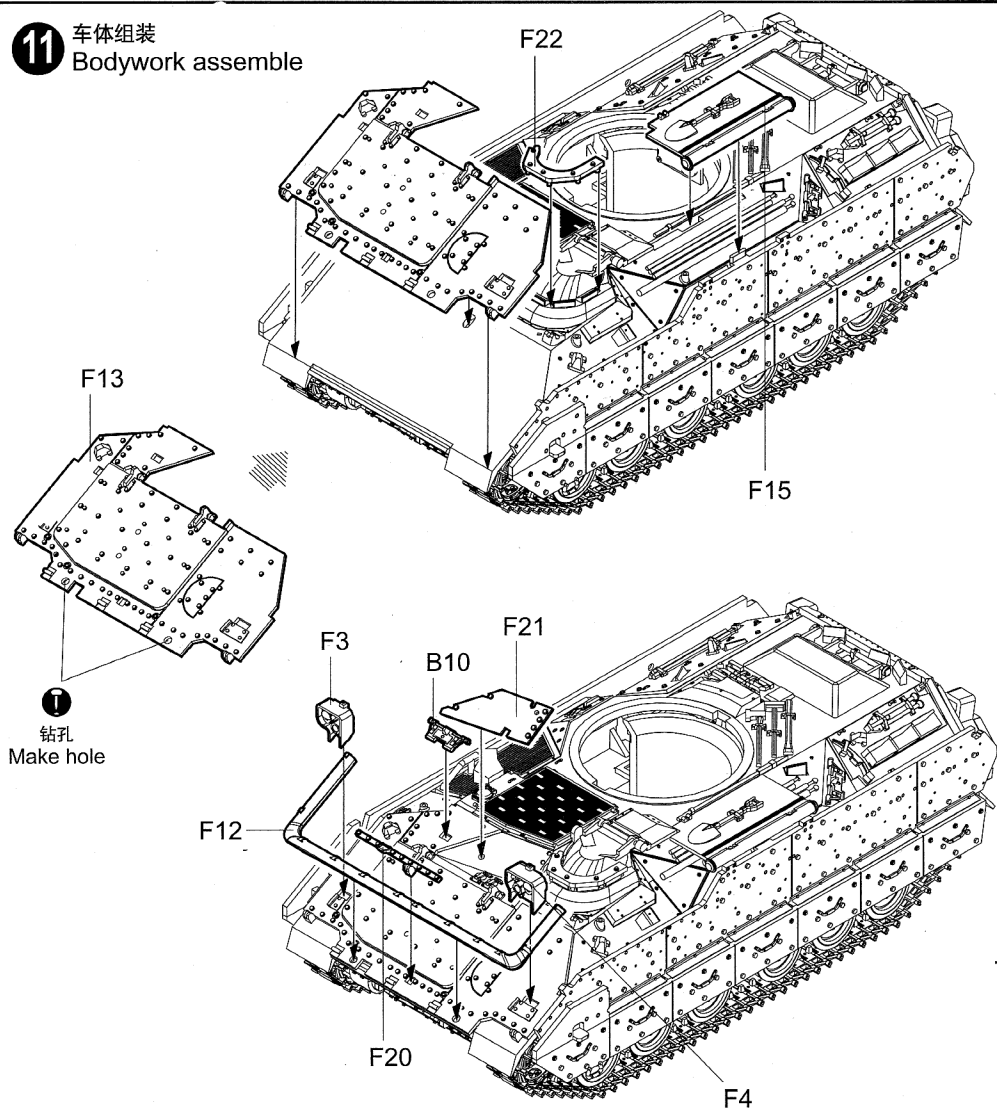
6

10 车体组装
Bodywork assemble

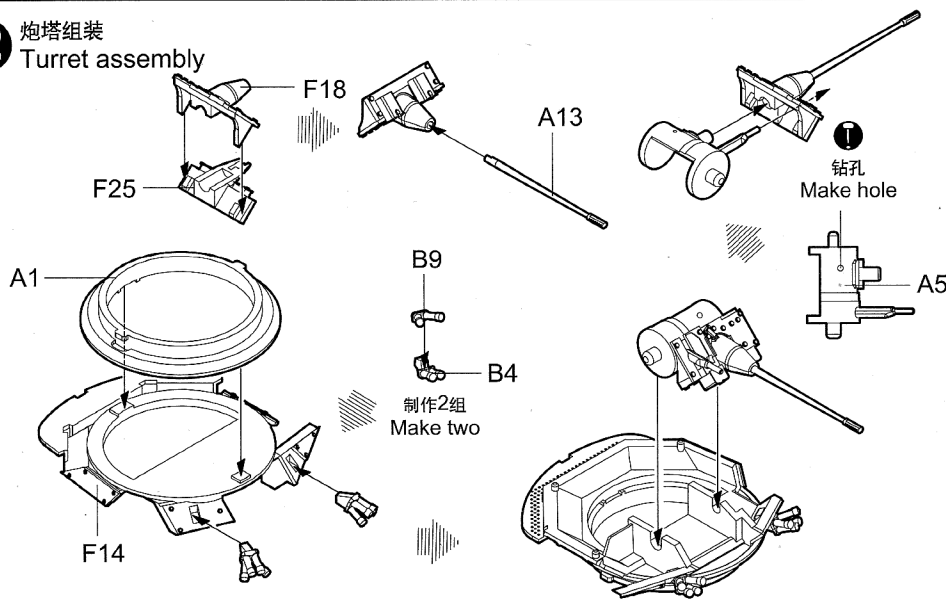


07296

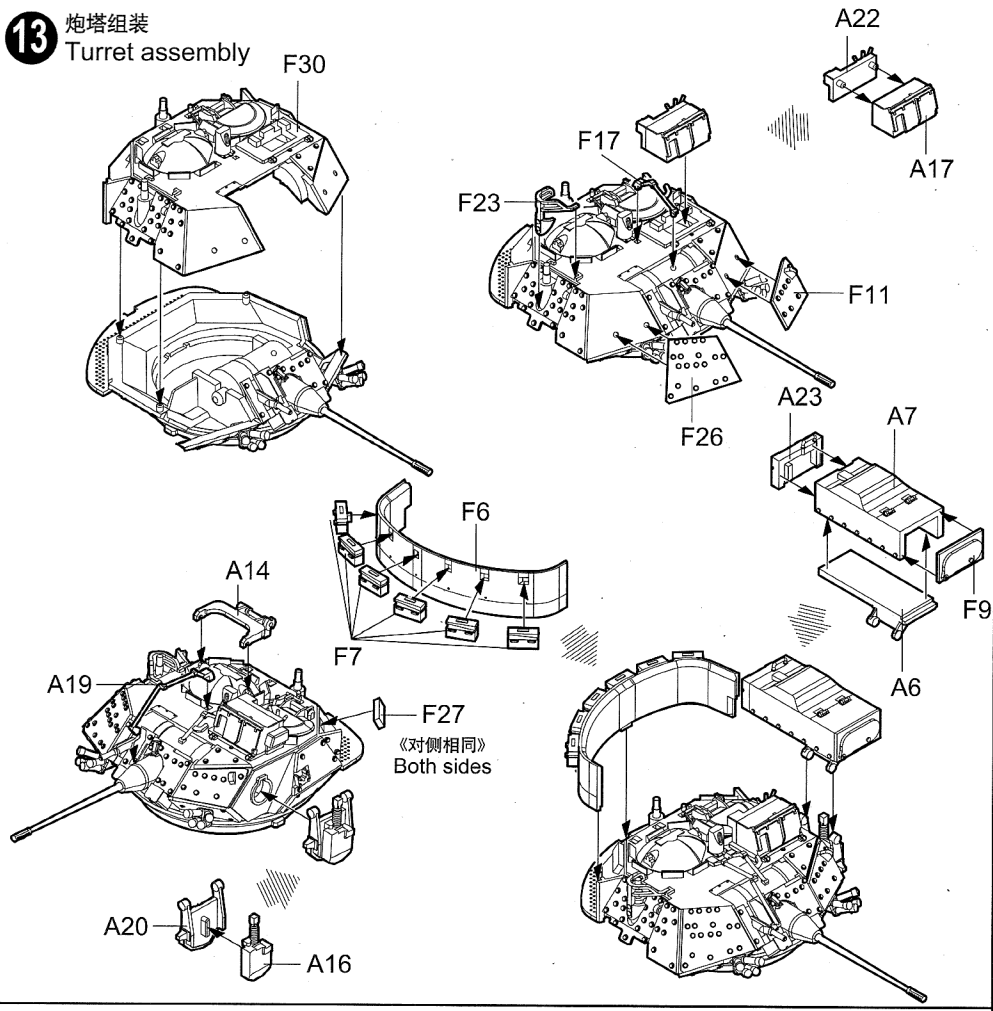
11 车体组装
Bodywork assemble



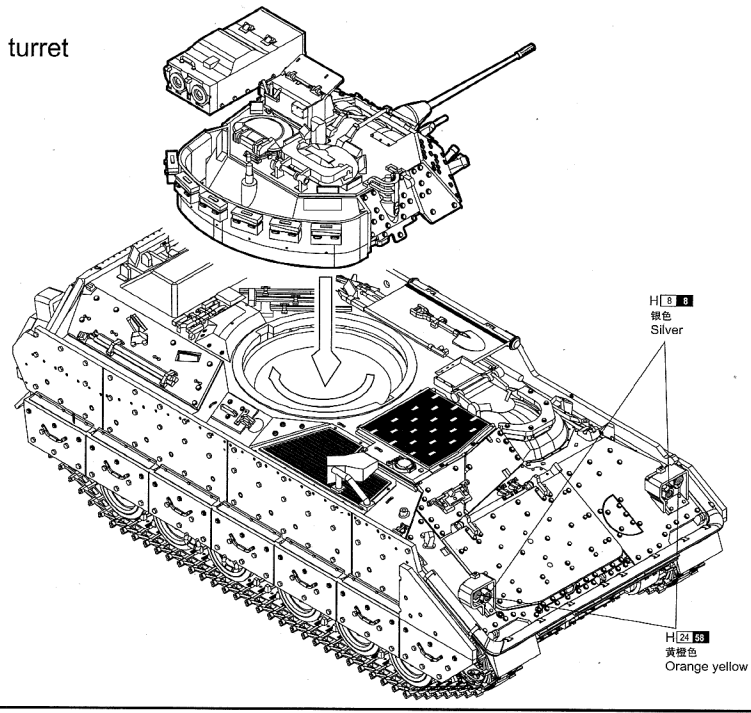
12 炮塔组装
Turret assembly



13 炮塔组装
Turret assembly



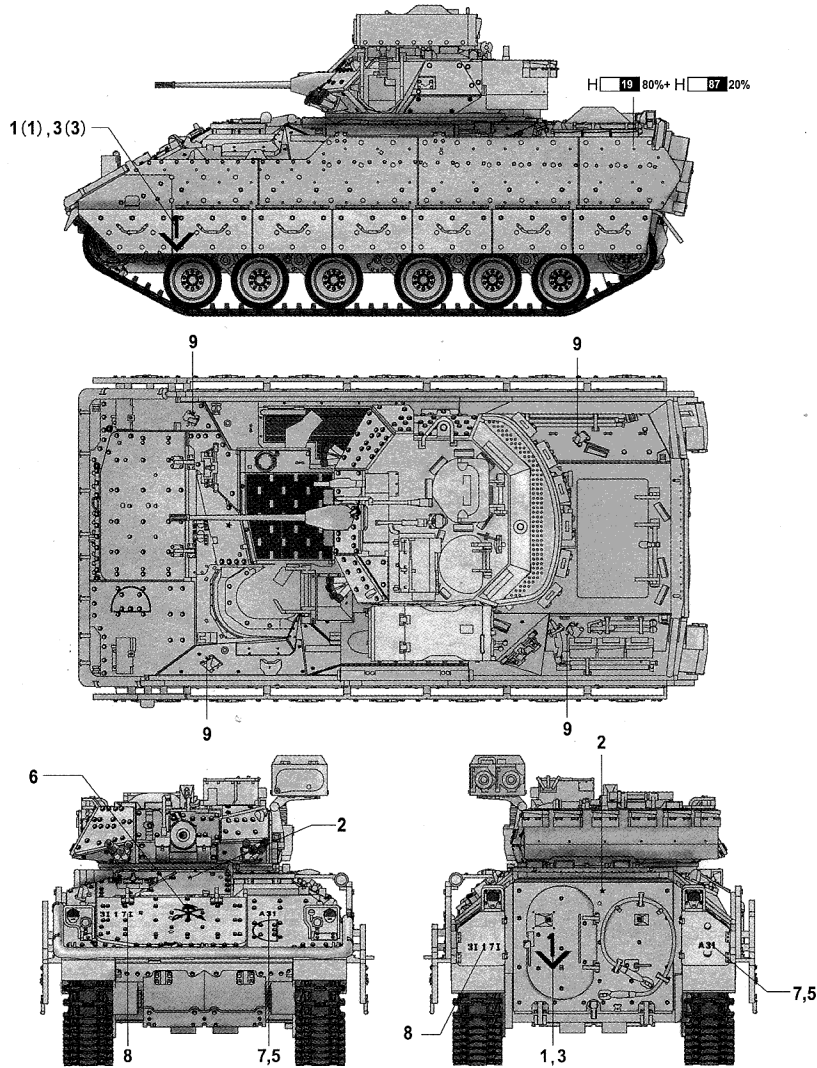
14 炮塔安装
Attaching turret



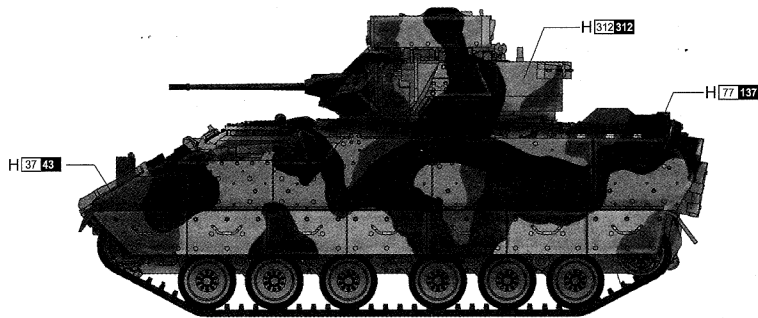
涂装同标贴指示 Painting & Marking guide

Color	Mr.Hobby	Vallejo	Model Master	Tamiya	Humbrol
Medium Grey Green 绿色	H 312 312	-	1716	-	120
Sandy Brown 沙褐色	H 19 19	-	-	-	-
潜奶油黄 绘黄色	H 87 87	-	-	-	-
Tire Black 绘黑色	H 77 137	-	-	-	-
Wood Brown 木棕色	H 37 43	983	1701	-	186

A



B



H AQUEOUS HOBBY COLOR

Mr. COLOR

07296

10