

Fairey Gannet ASW & ECM Variants
Wing Fold Joints

This Detail set is manufactured from photo - etched brass sheet and is for the Frog/Novo 1/72 scale model kit.
Etched brass should be thoroughly cleaned by gently wiping with a solvent such as White Spirit and primed for painting.
To separate parts, support fret on a firm surface, (i.e., a small sheet of glass or a plain ceramic tile) and cut as near to the part as possible using a sharp blade.
To fold part use Airwaves Folding Tool AM022 for a good and even fold.
For fixing parts, use Cyanoacrylate Adhesive (Superglue) or Epoxy resin.
To remove the green photo resist film from the surface of the metal, a caustic soda solution is recommended, though extreme care should be taken when handling.

Manufactured for and by:-
E.D. Models, 64 Stratford Road, Shirley,
Soliuhull, B90 3LP, England.
Telephone (44)- 0121-744-7488 Fax (44)- 0121-733-2591

For further helpful hints to using etched brass and for full details of the extensive Airwaves range, get a copy of the latest Airwaves catalogue.

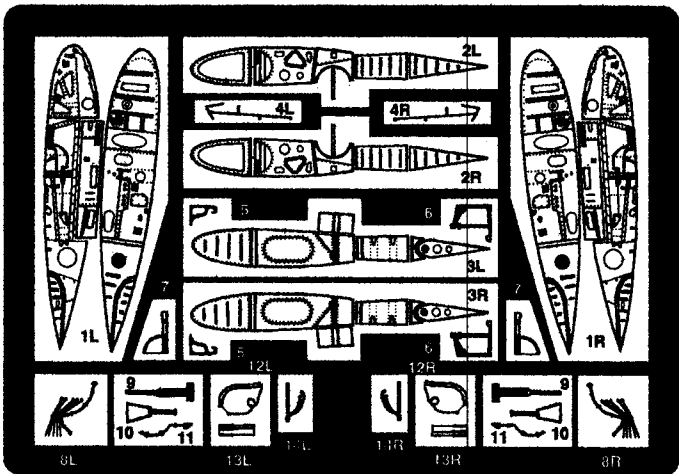
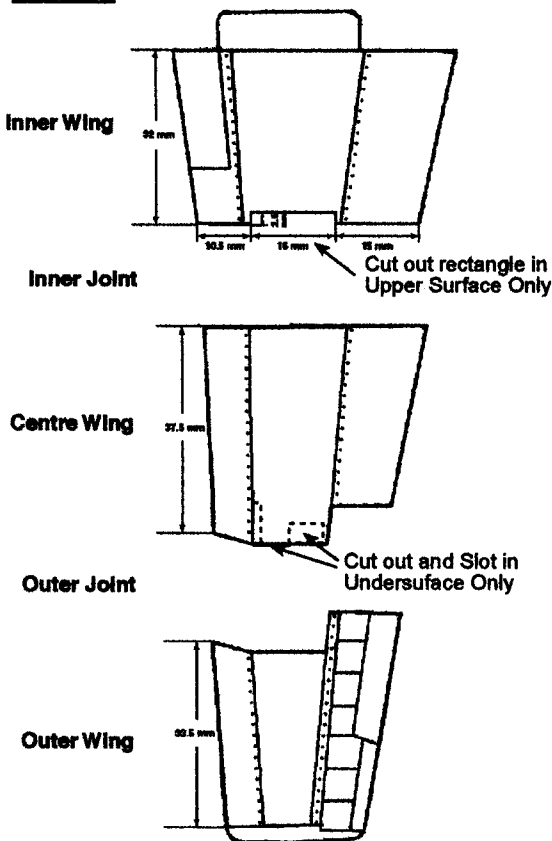


Figure 1



Left Outer Fold Joint

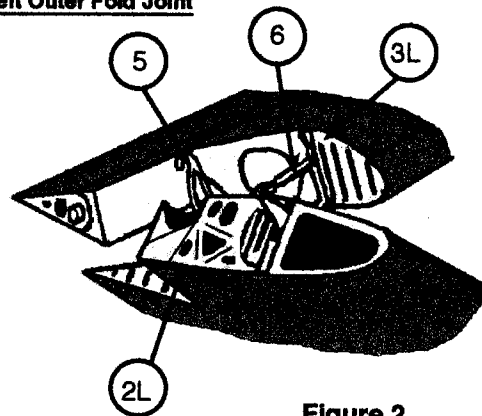
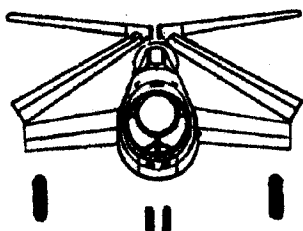


Figure 2

Figure 5

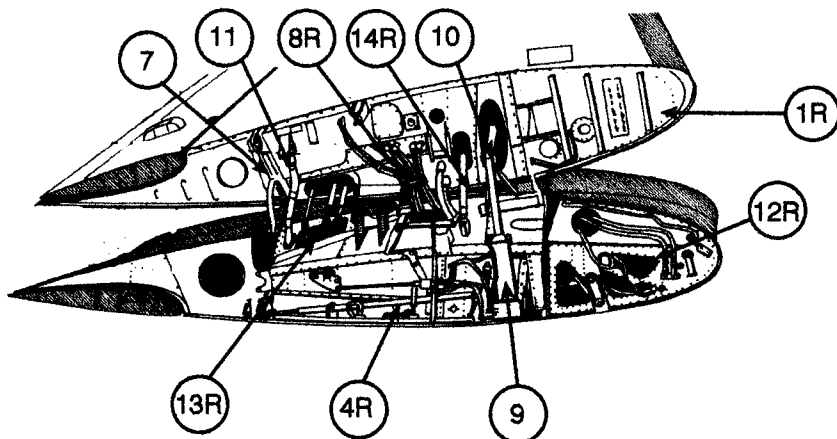


Position of folded wings

Construction Notes

To assemble the Gannet with wings folded first divide the wings into sections as in Figure 1. This can be done before or after assembling the upper and lower halves. Cut out a rectangle 16mm by 2.5mm from the upper surface only. This is so that the rectangular centre piece of Etched part 1 can be folded back at an angle. See Fig 3. Cut out a small rectangle 4.5mm by 2.5mm in the undersurface only, of the centre wing section at the outer joint and also a slot for hinge part 6 to locate into. See dashed lines on Figure 1 for location. Assemble parts using Figures 2 & 3 and the wings should end up folded as in Figure 5.

Figure 3



Right Inner Fold Joint

Figure 4

