



T-34/85 Model 1944 Factory No.183

ASSEMBLY ICONS



OPTIONAL
 选择



CEMENT
 膠水



DO NOT CEMENT
 不使用膠水



INSTANT CEMENT
 瞬間接著劑



BEND
 彎折



MAKE 2
 製作2組



OPEN HOLE
 鑽孔



REMOVE
 切除



BE CAREFUL
 注意



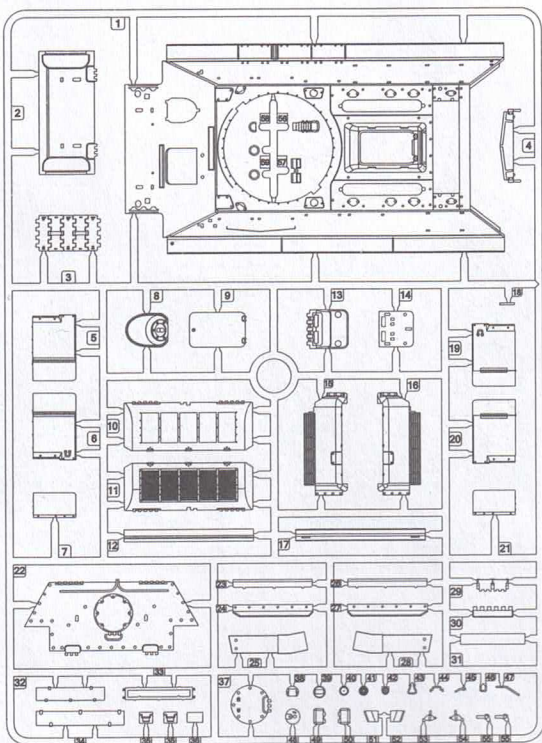
APPLY DECAL
 貼上水貼紙

CAUTION!

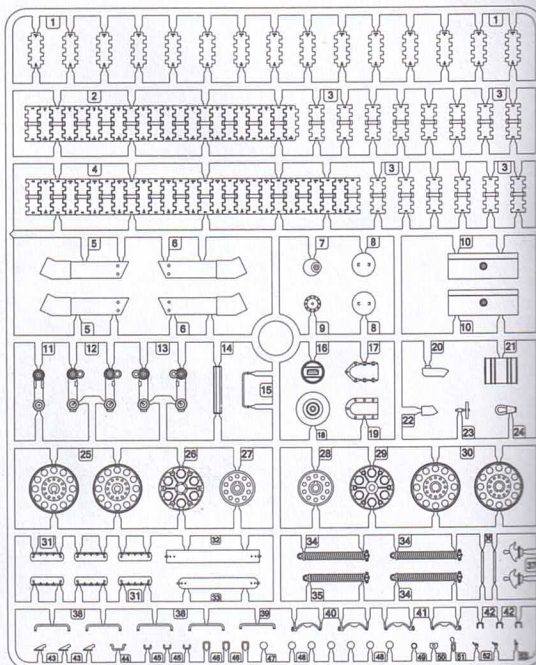
Read carefully and fully understand the instructions before commencing assembly. Supervising adult should also read the instructions if a child assembles the model. When you used glue or paint, do not use near a naked flame, and use in a well-ventilated room. When assembling this kit, tools including knives are used. Extra care should be taken to avoid personal injury. Read and follow the instructions supplied with paints and/ or cement. Use plastic cement and paints only. Keep out of reach of small children. Children must not be allowed to suck any part, or pull vinyl bag over the head.

在裝配前仔細閱讀說明並完全理解。小孩裝配時需成人看護且需仔細閱讀說明。使用膠水和油漆時，應遠離火源並打開窗戶保持空氣流通。製作時請格外注意工具刀和零件的鋒利尖銳部分，避免對身體造成傷害。在使用膠水和油漆前仔細閱讀注意事項，按照說明正確使用膠水和油漆。請將本品放在兒童接觸不到的地方，套件中的塑膠包裝袋會對兒童造成窒息的危險。

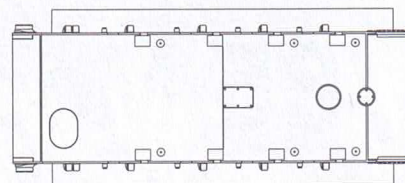
D x1



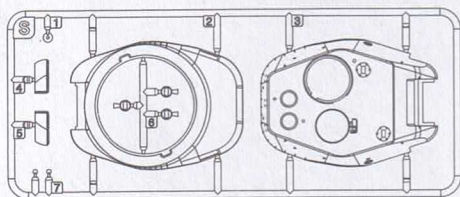
C x2



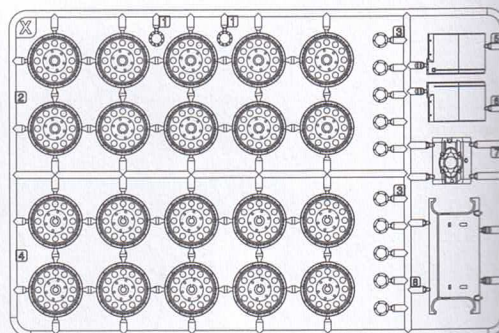
Lower Hull x1



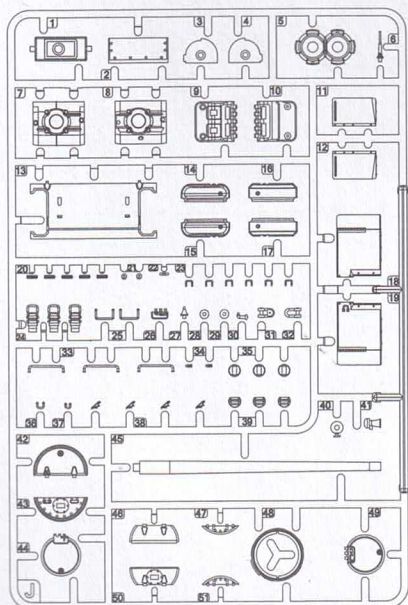
S x1



X x1



J x1

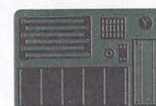


Decal

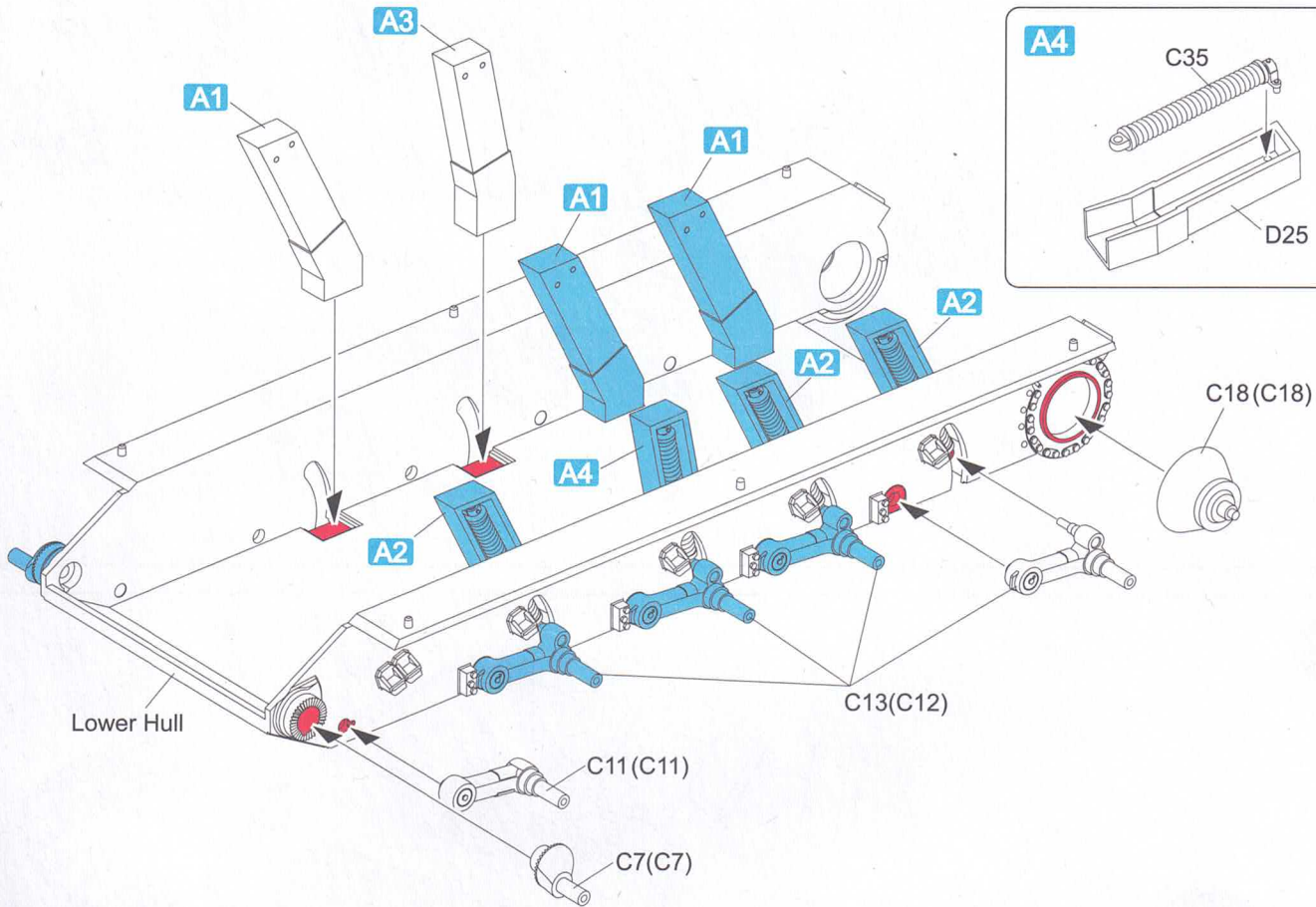
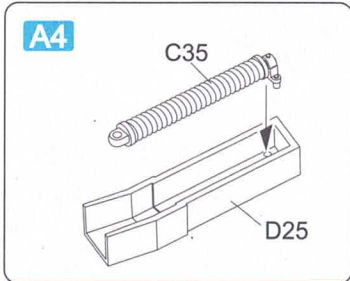
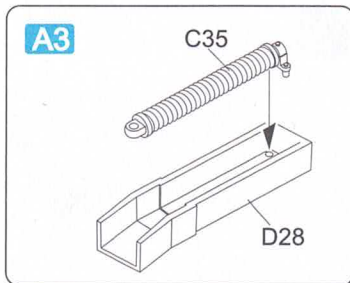
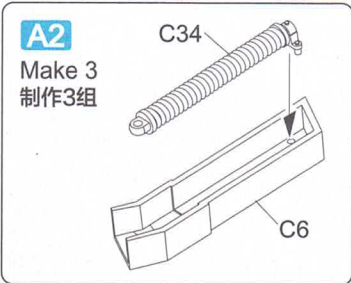
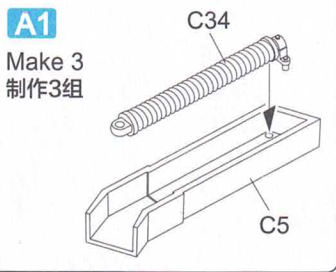


Y x1

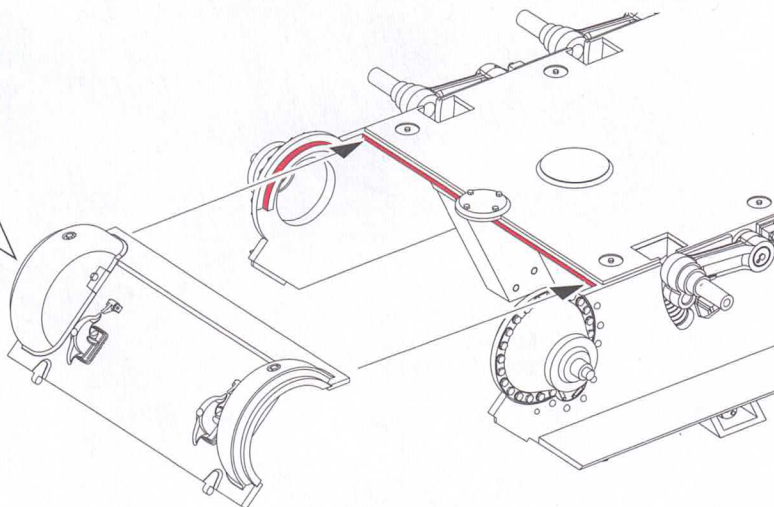
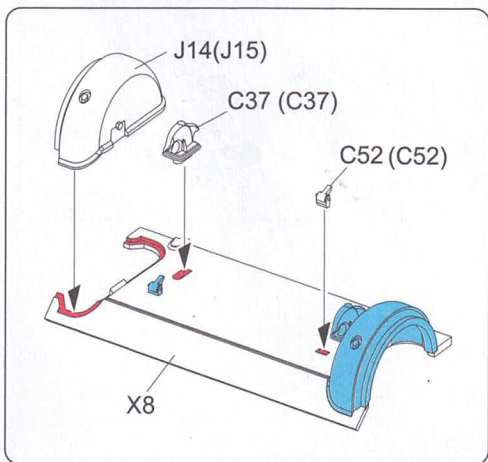
String x1 150mm



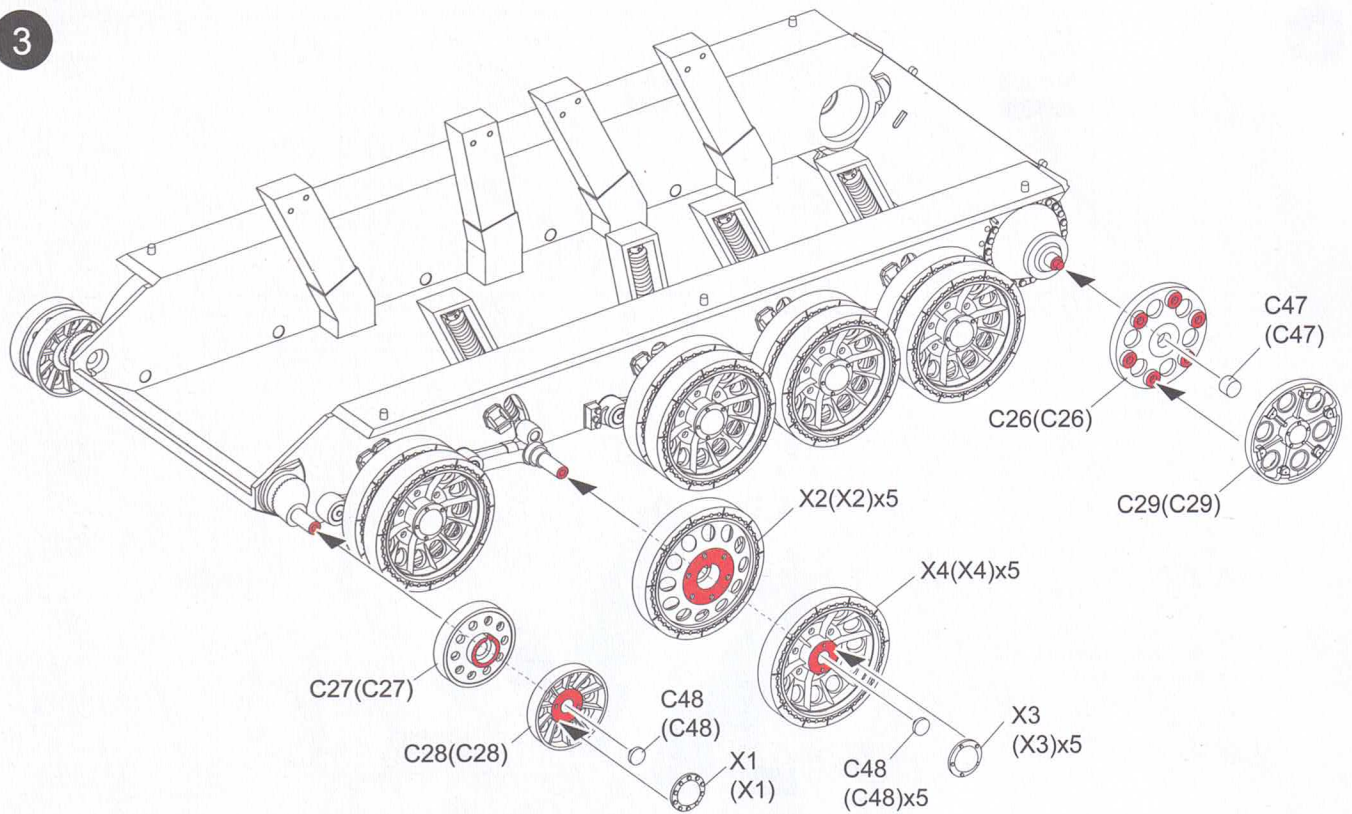
1



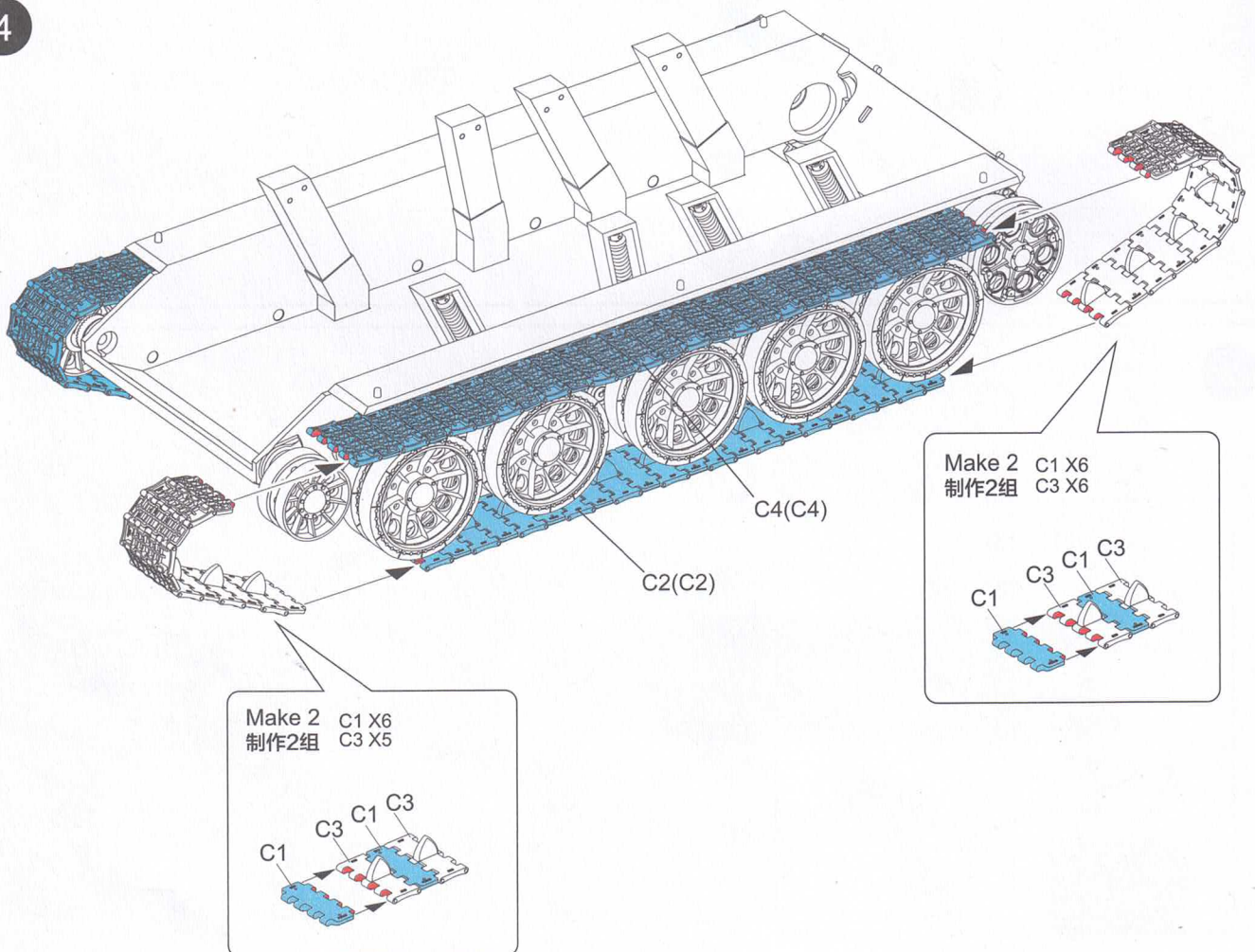
2



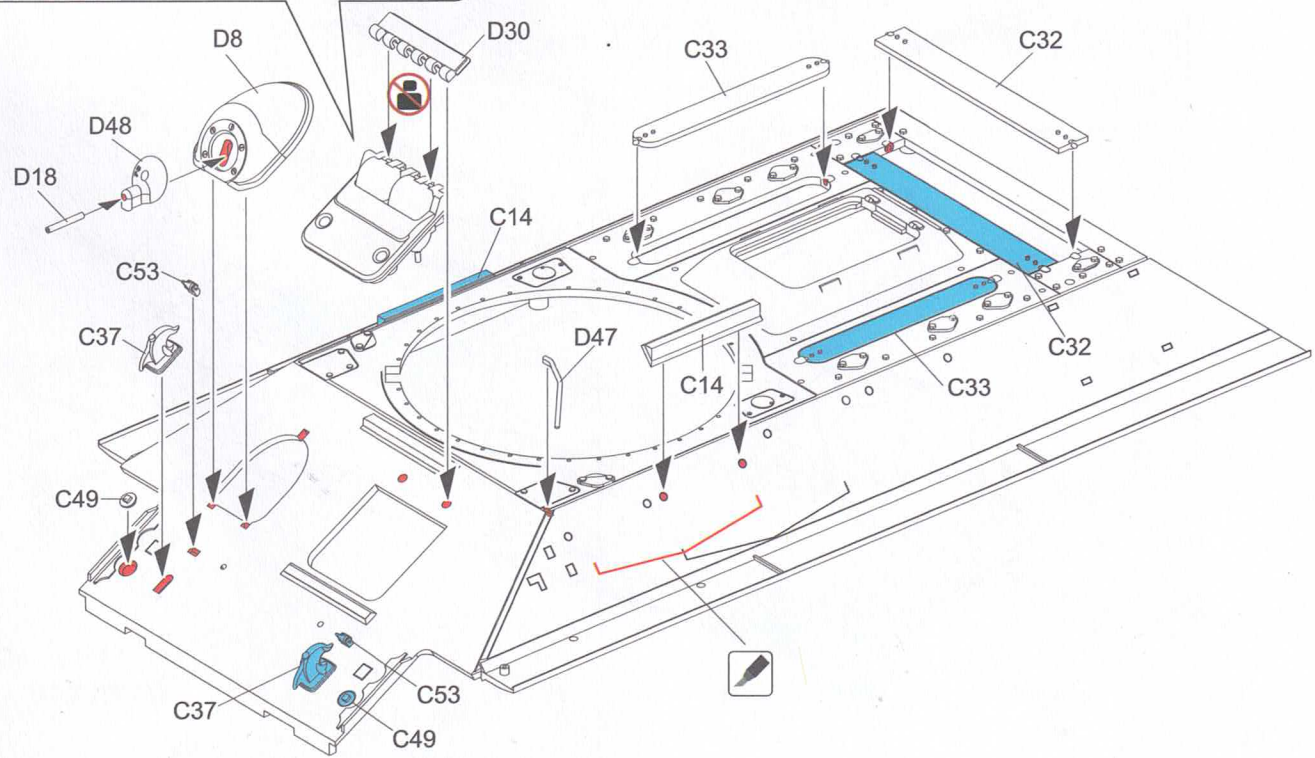
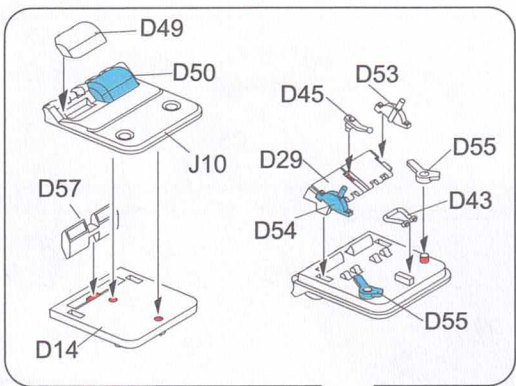
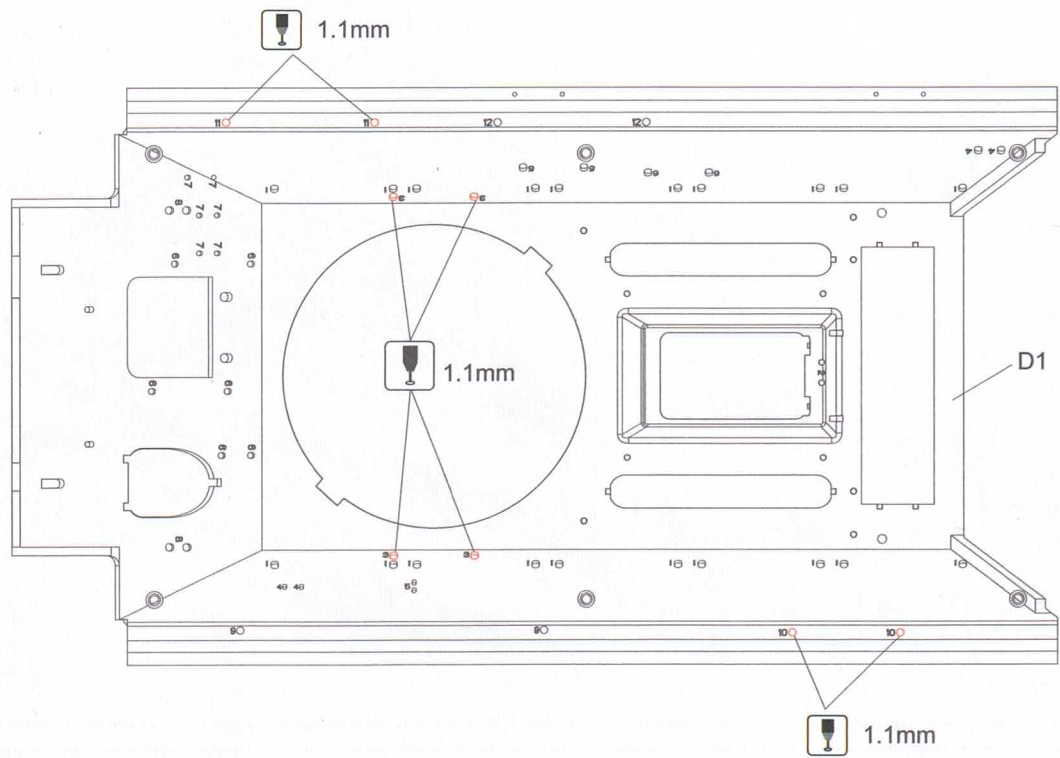
3



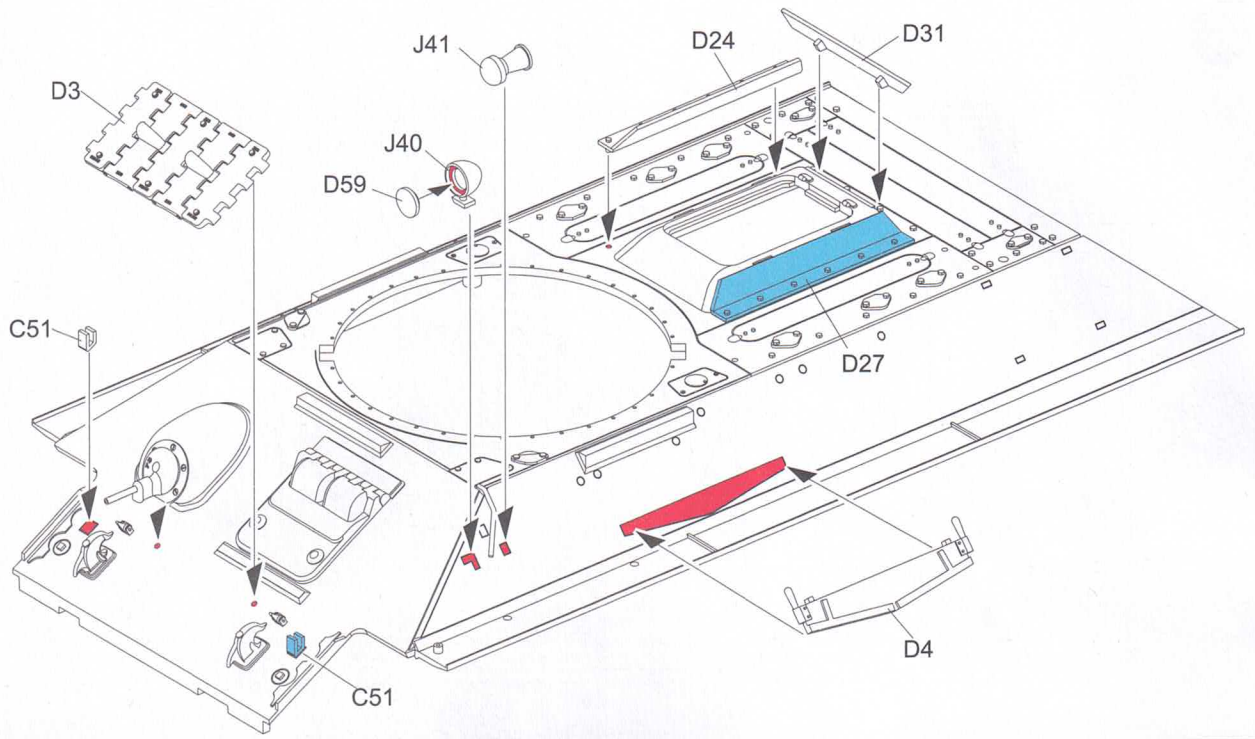
4



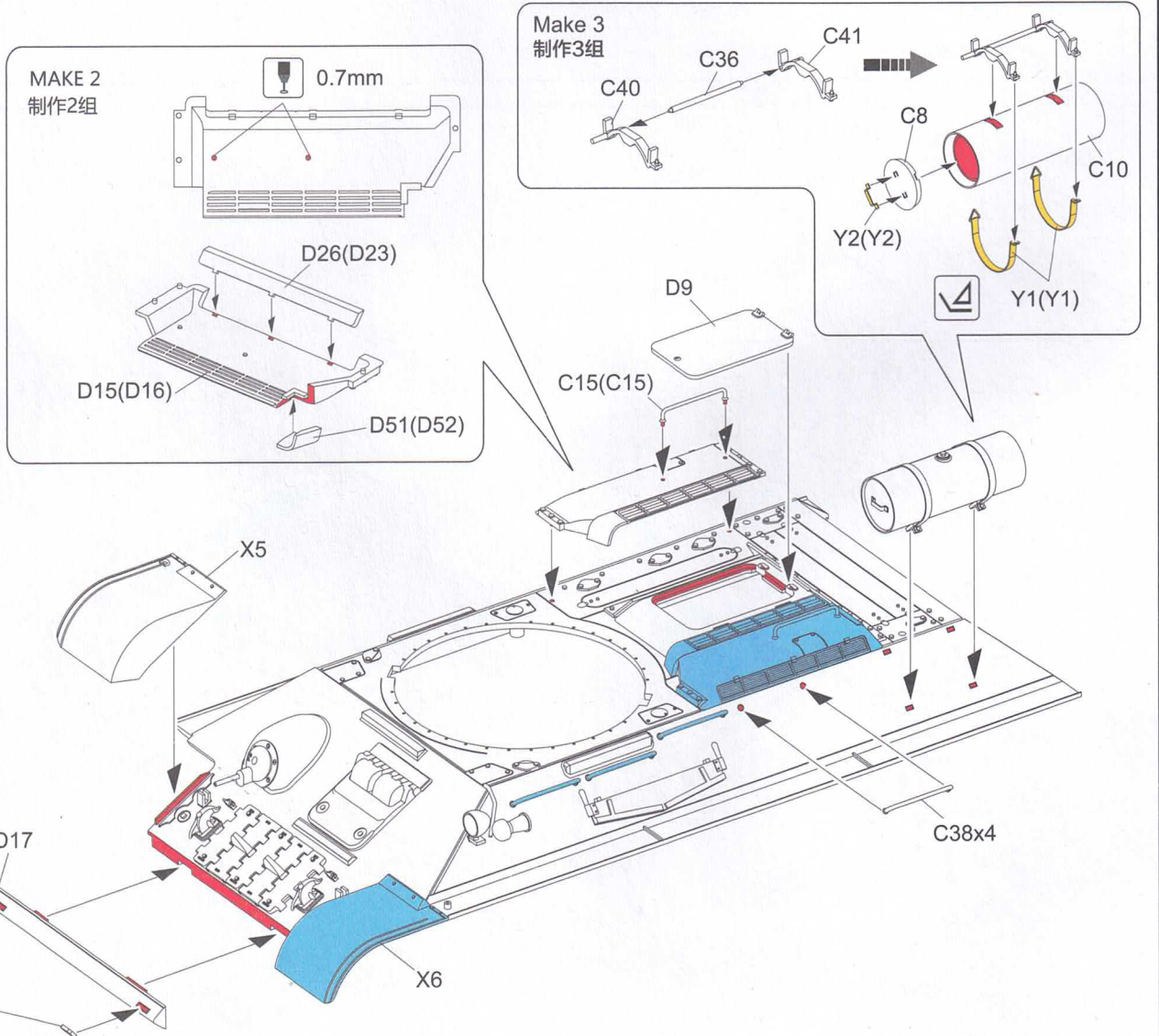
5



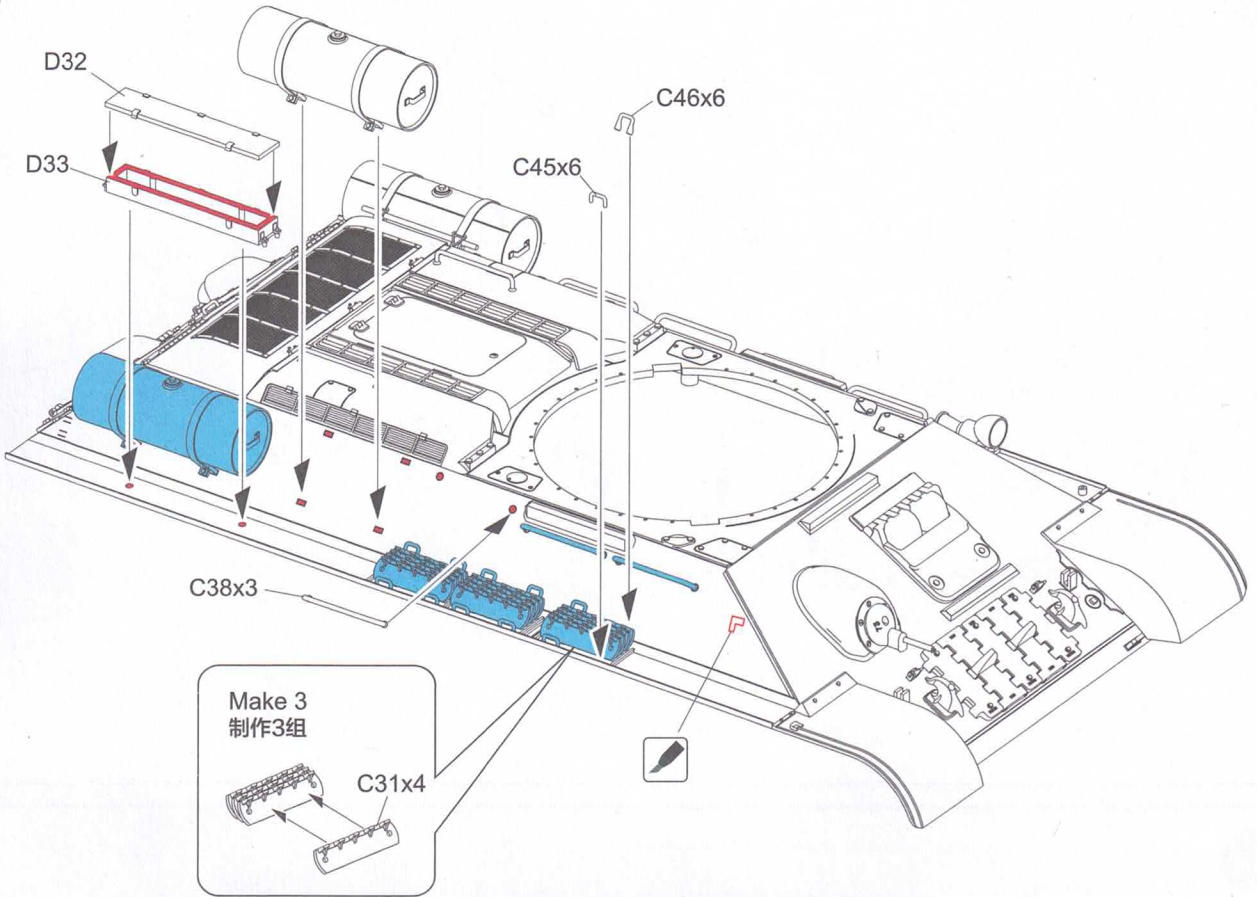
6



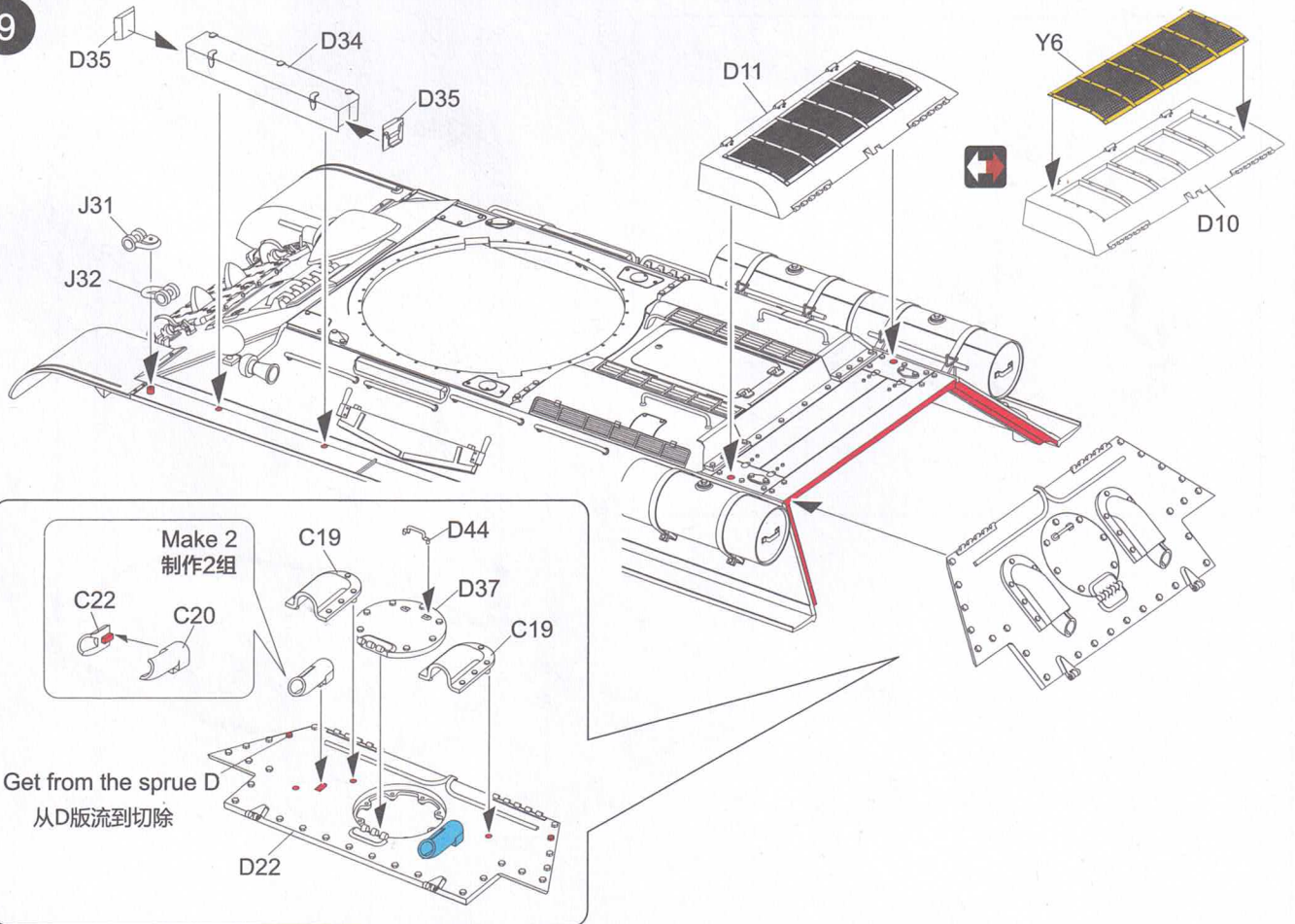
7



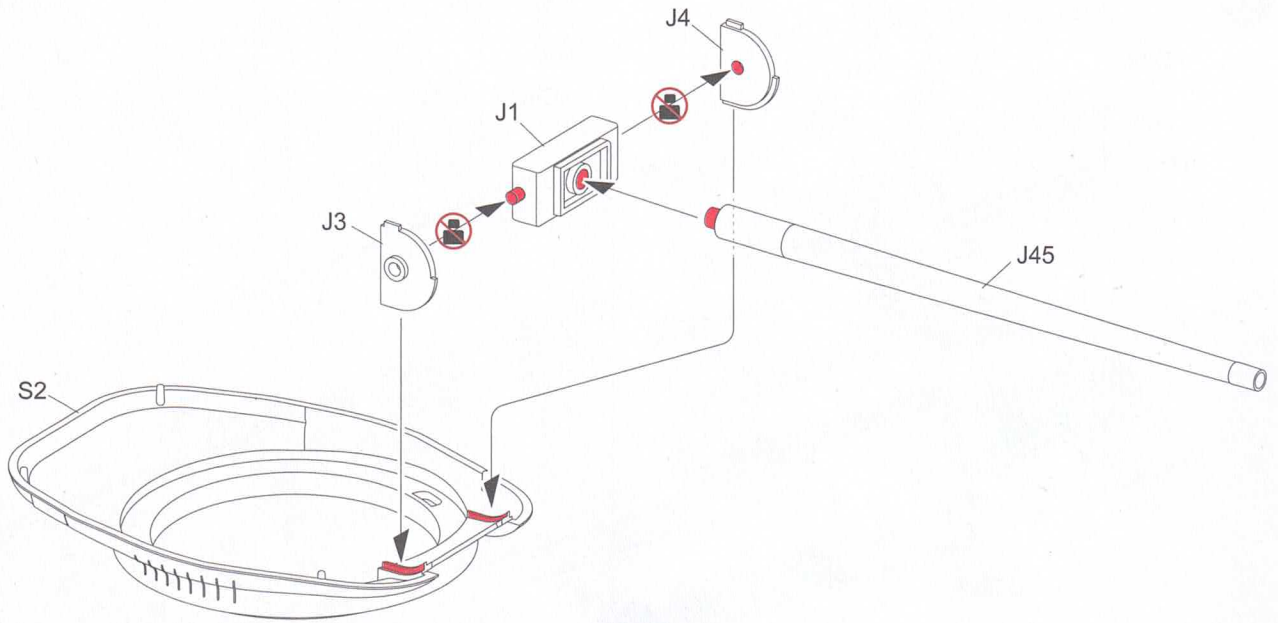
8



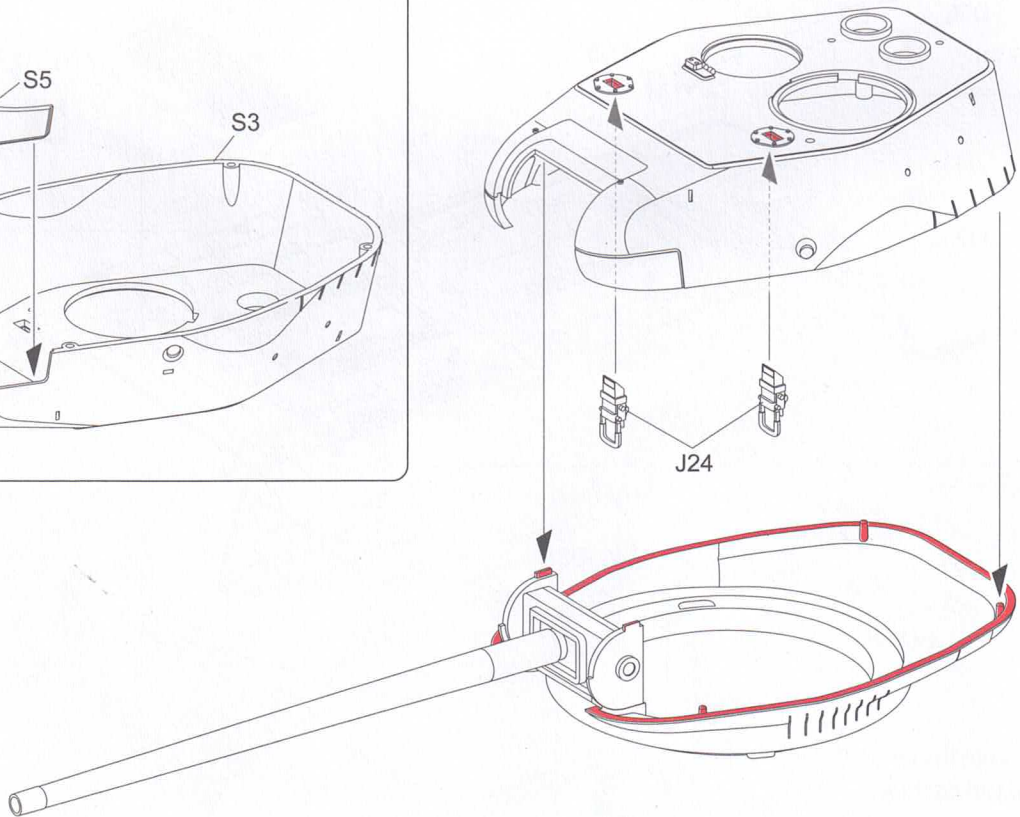
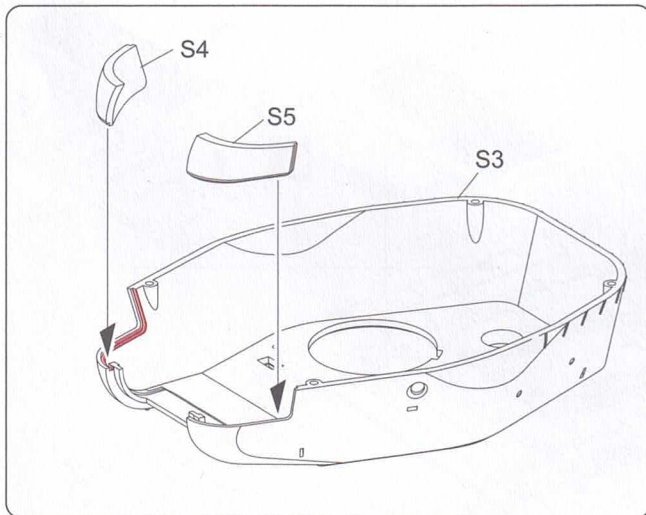
9



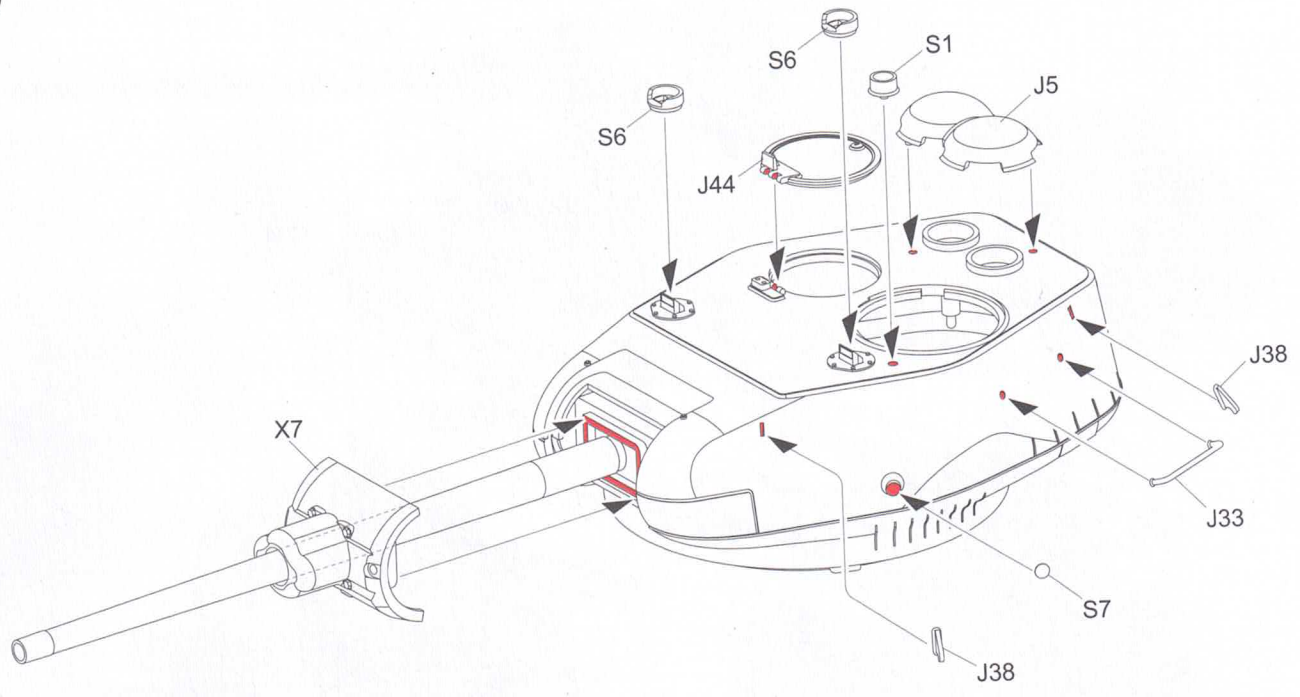
10



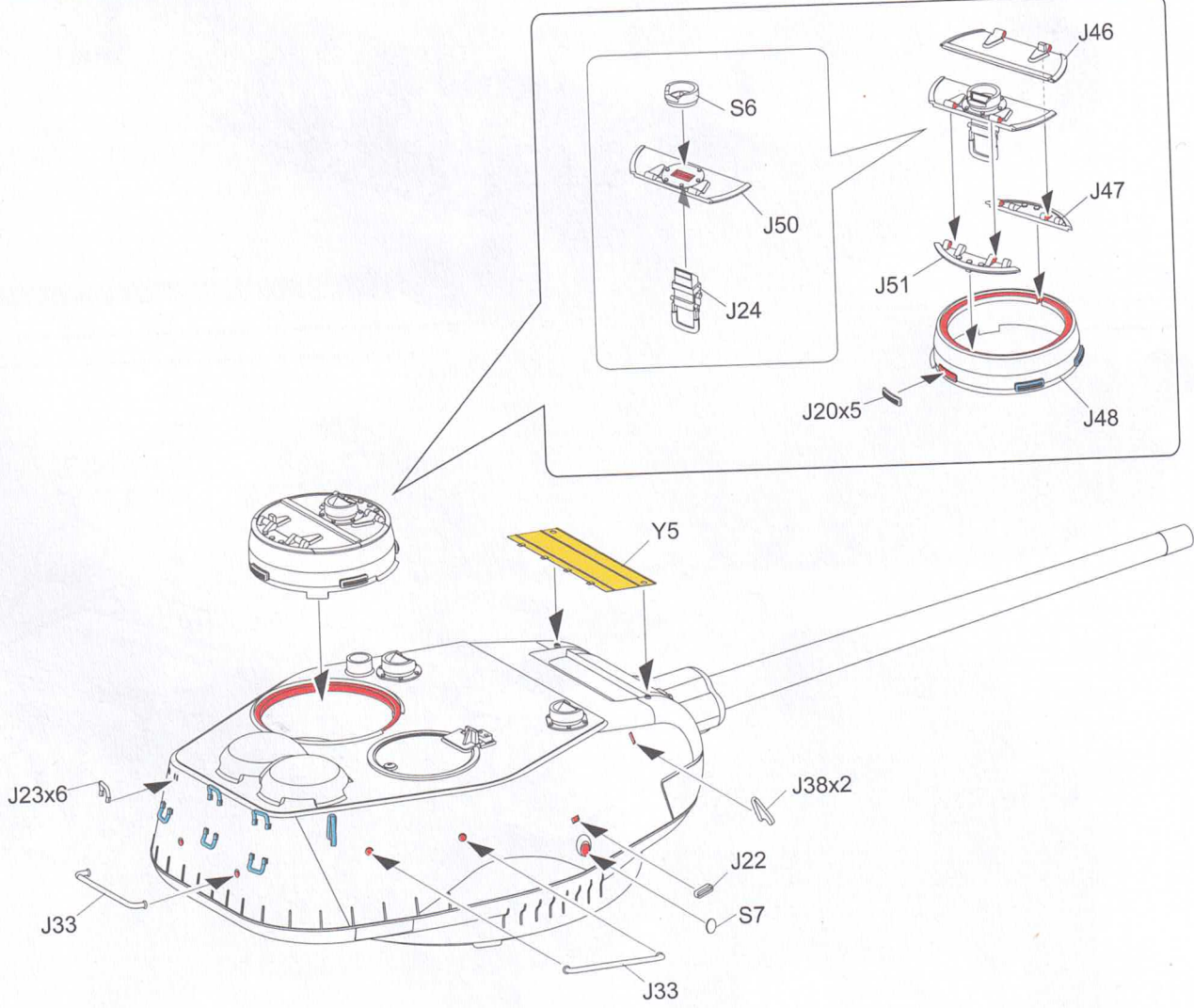
11



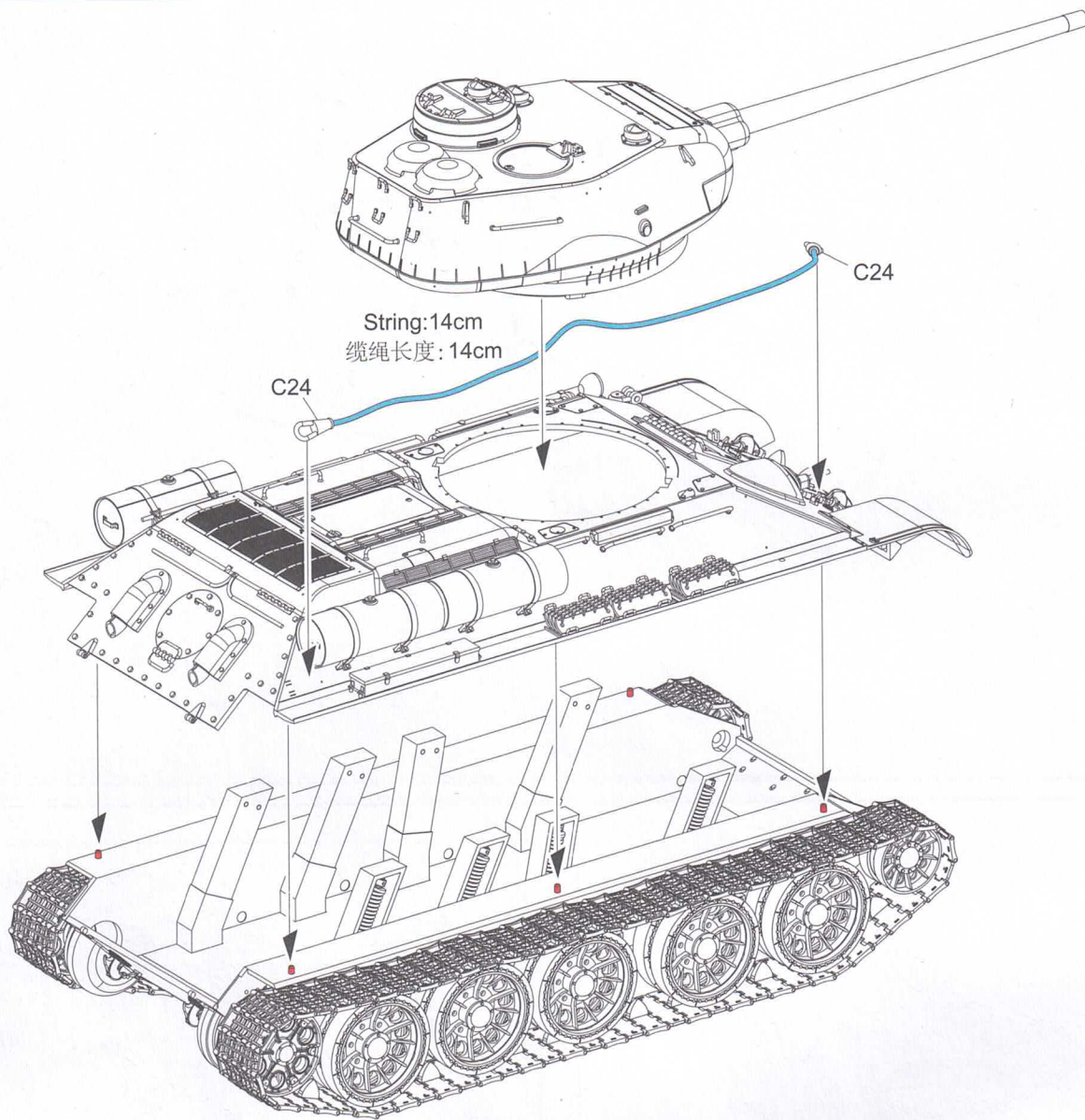
12



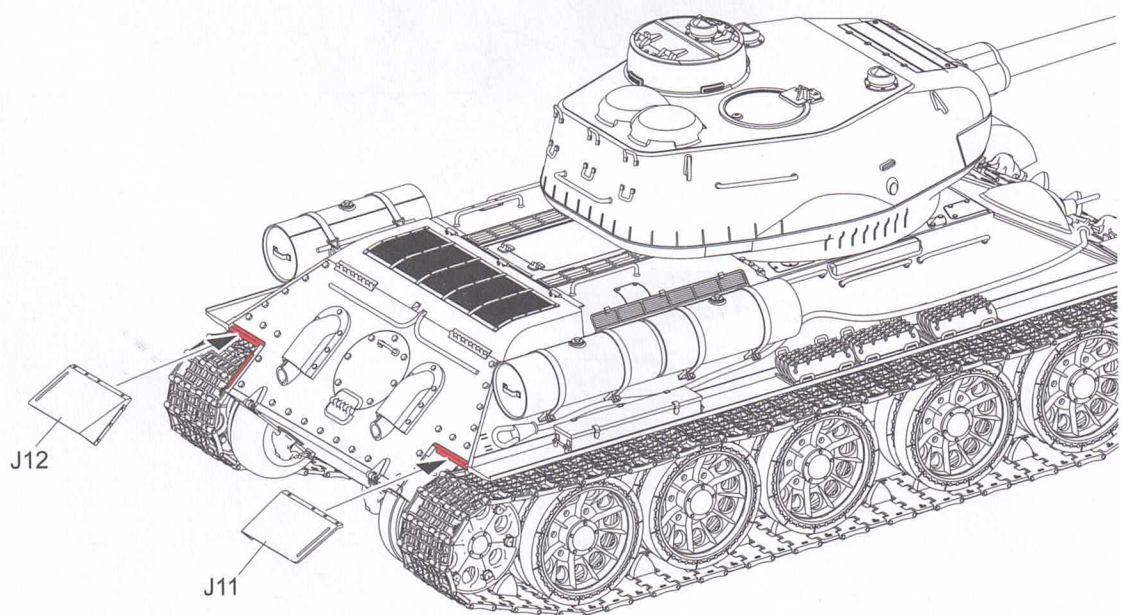
13



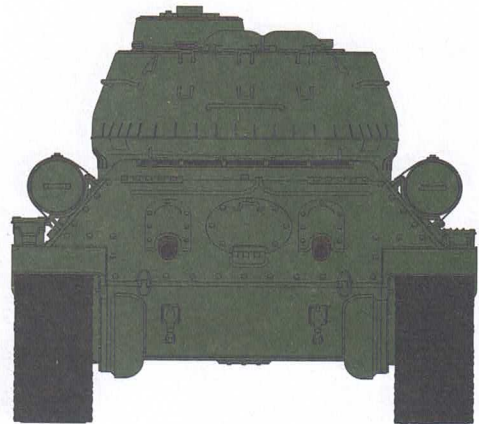
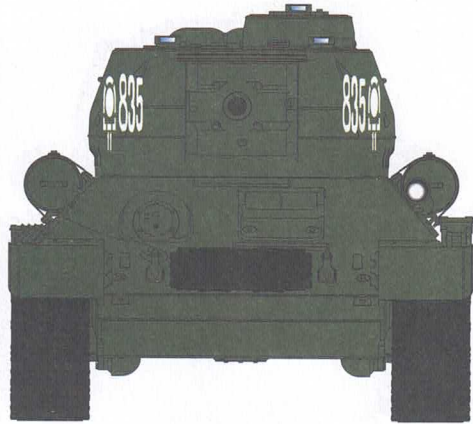
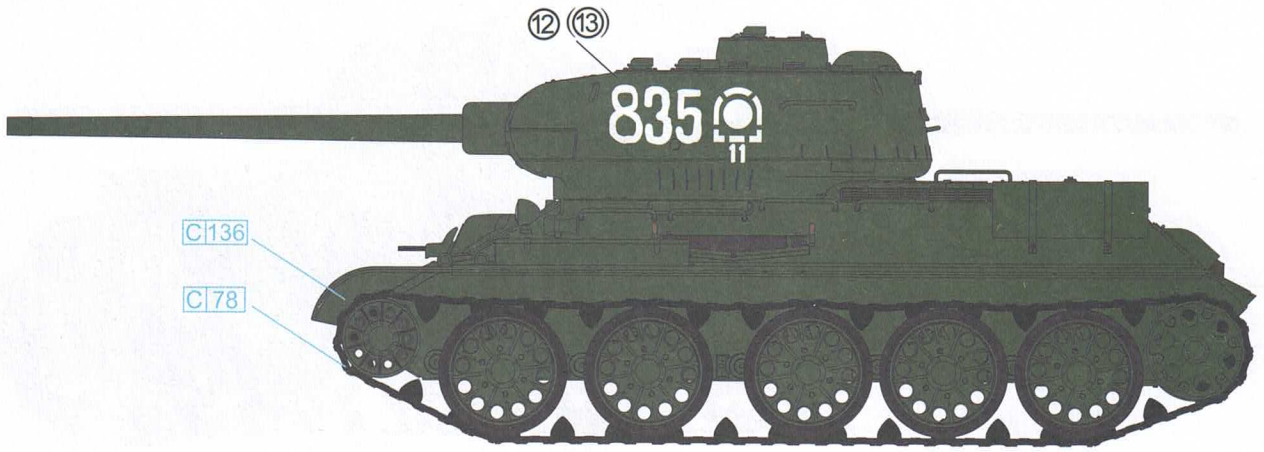
14



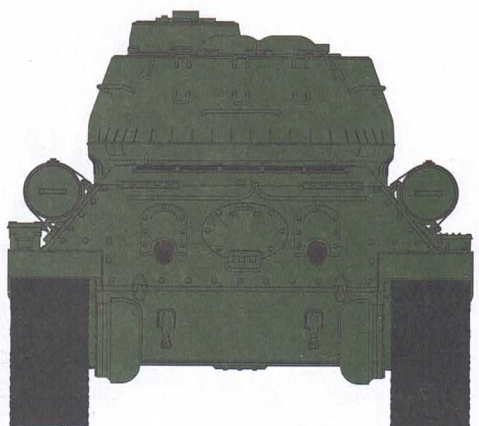
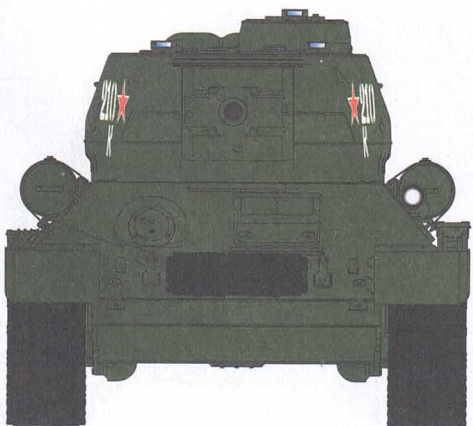
15

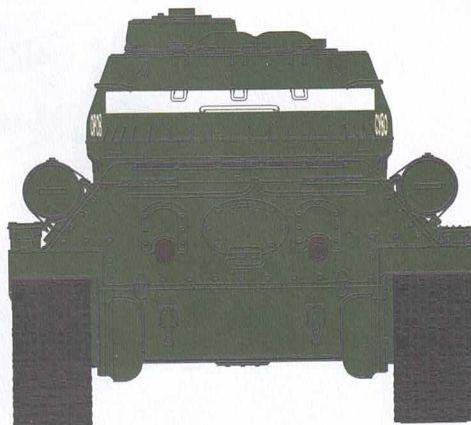
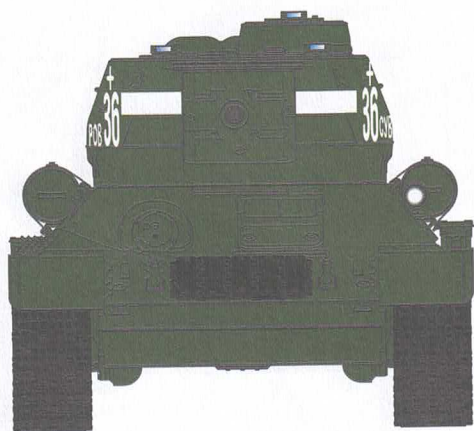
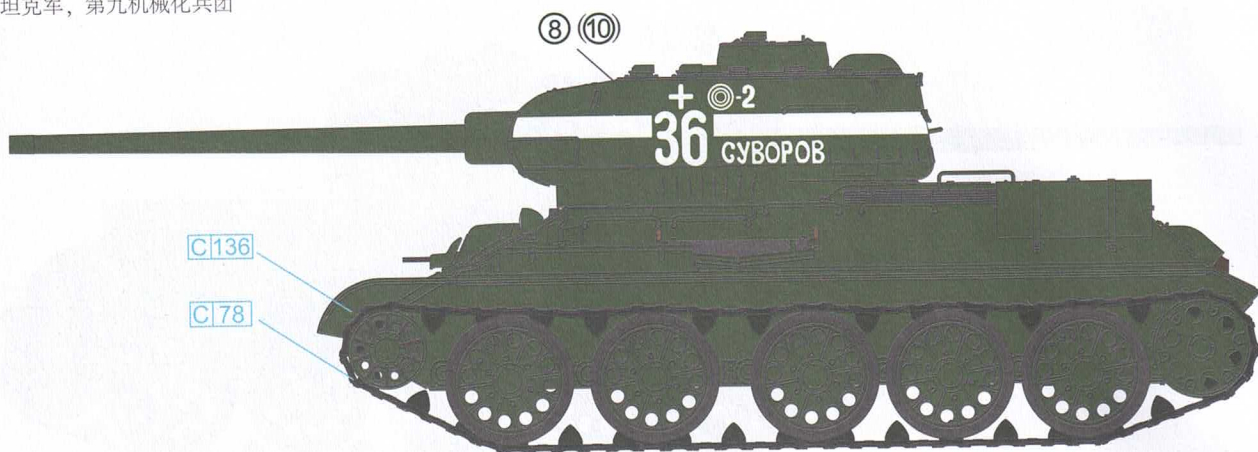


8th Guards Tank Corps of Red army
苏联红军第八近卫装甲军团

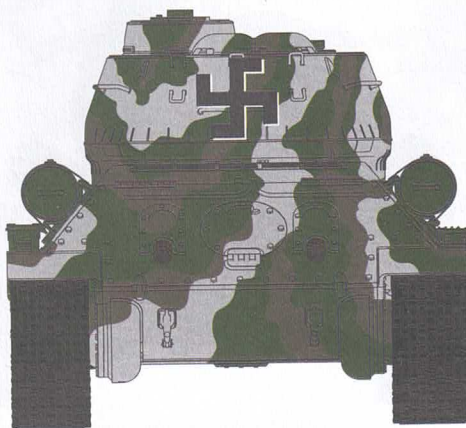
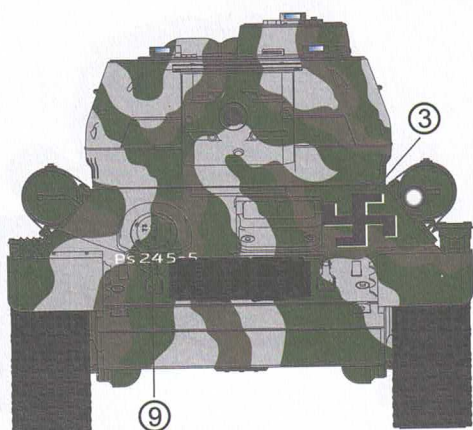
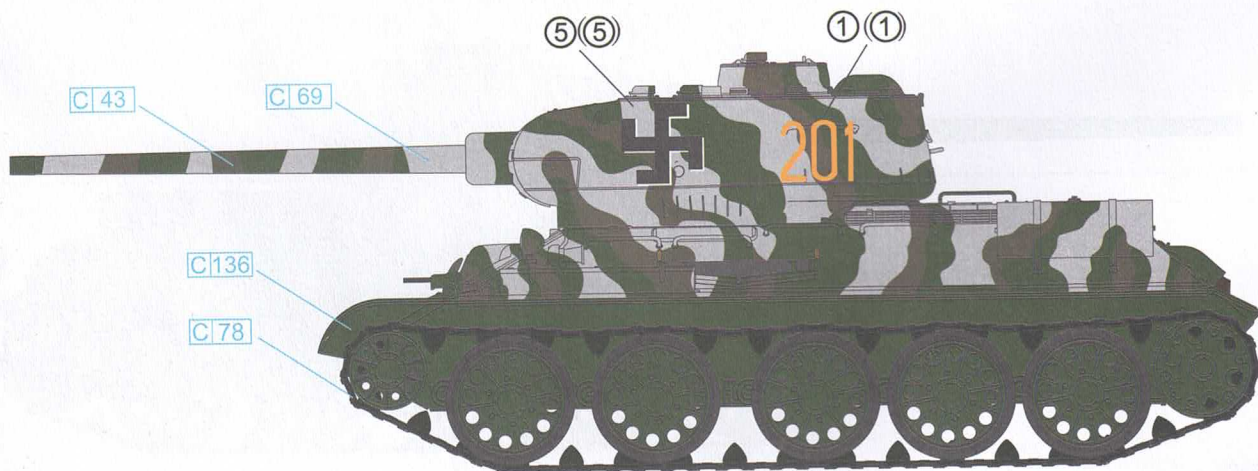


11th Tank Corps, 36th Tank Brigade of Red army
苏联红军第11装甲军, 第36装甲旅

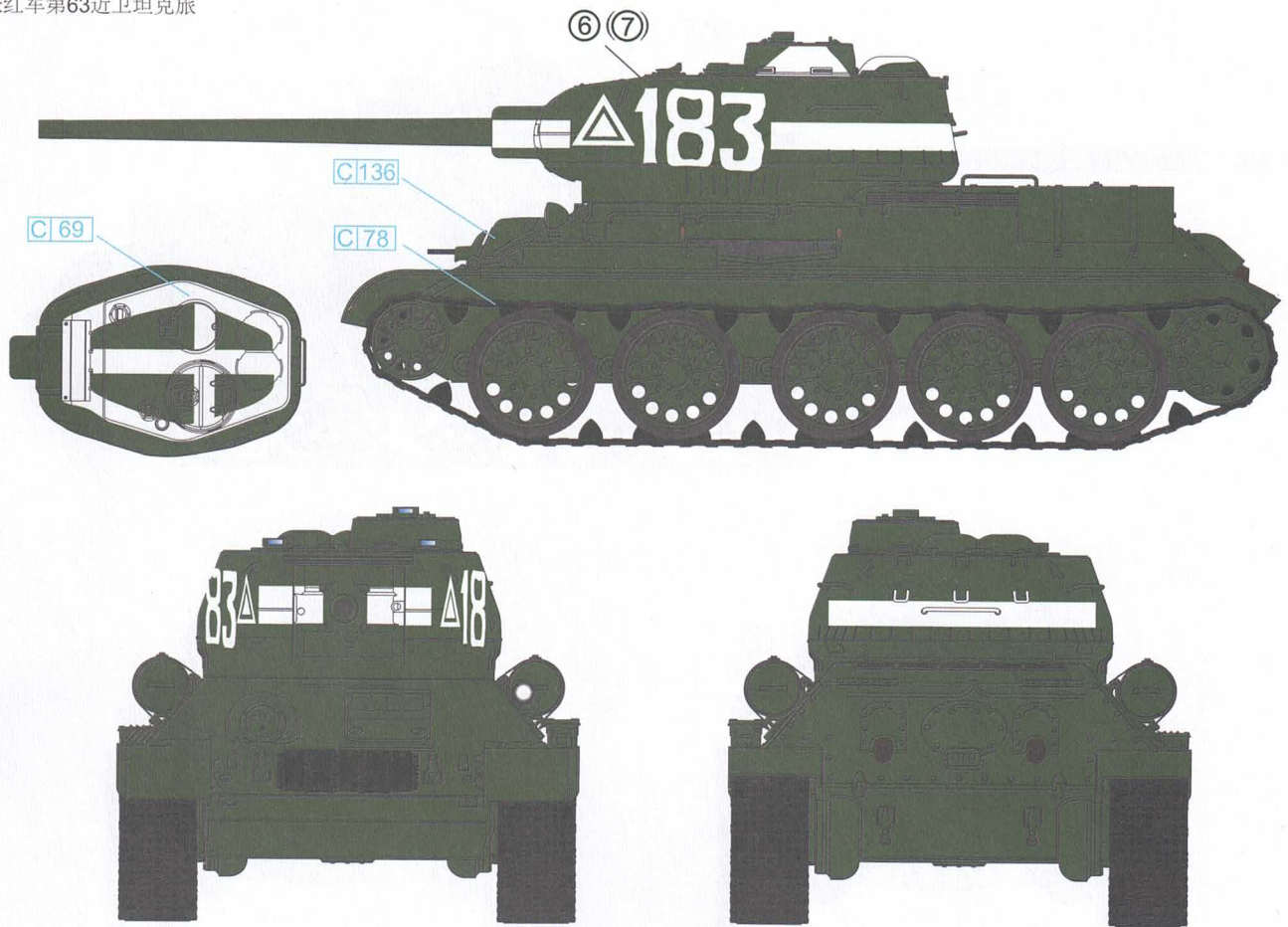




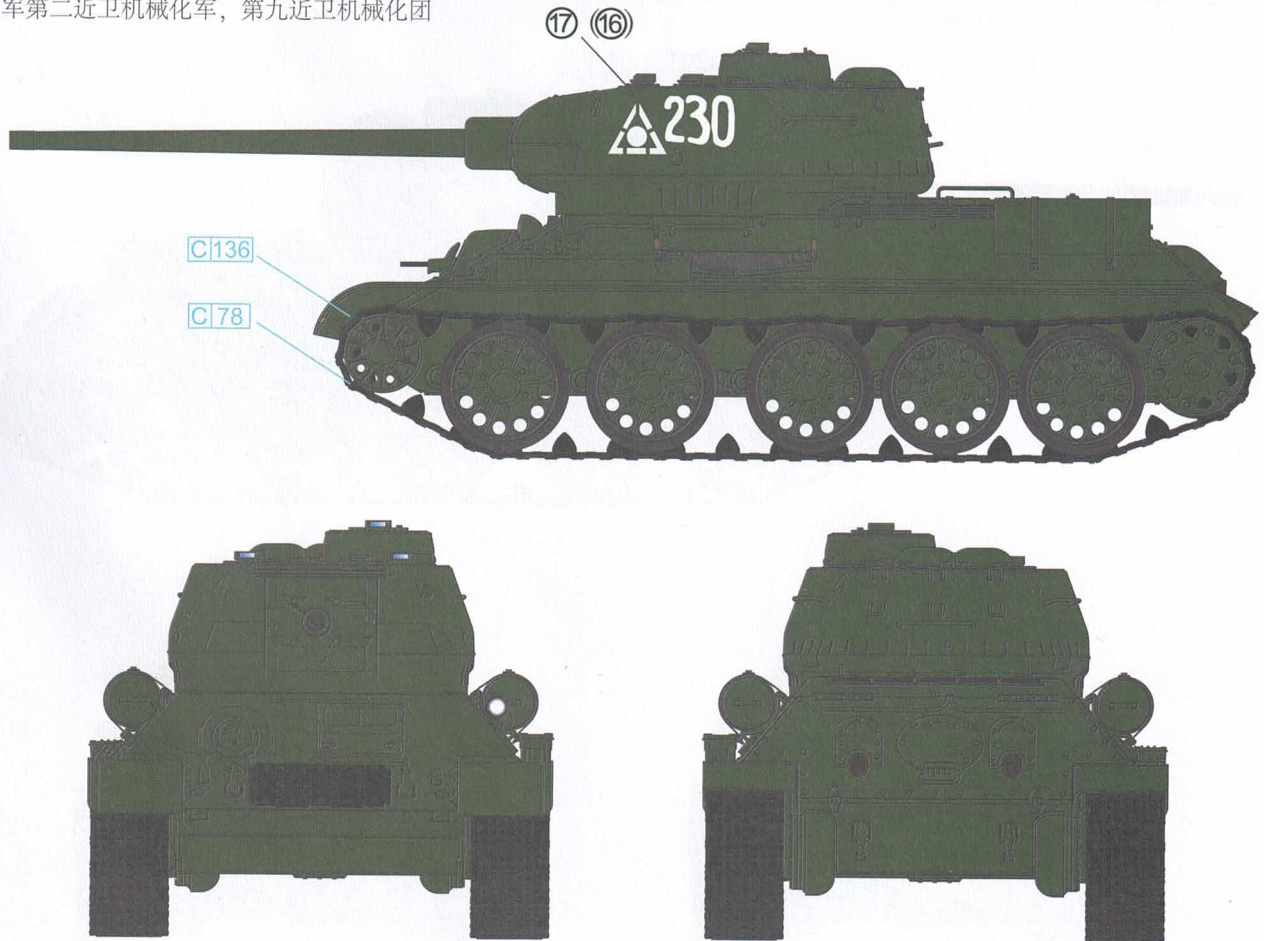
2nd Company of Armored Brigade(2./Ps.Pr.) September 1944 Lappeenranta area
机甲旅团第二中队 1944年9月拉彭兰塔地区

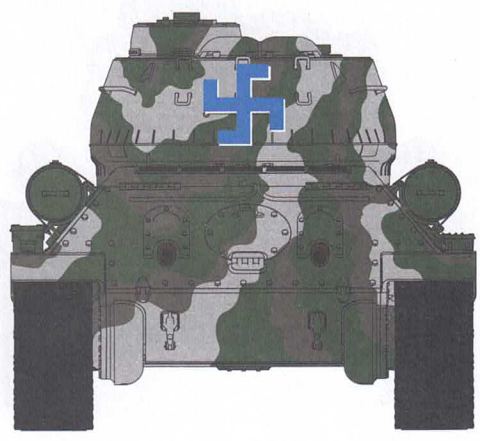
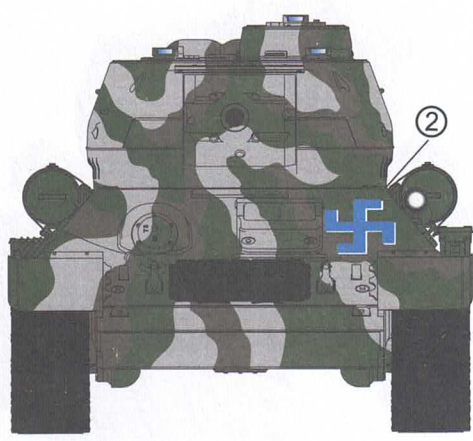
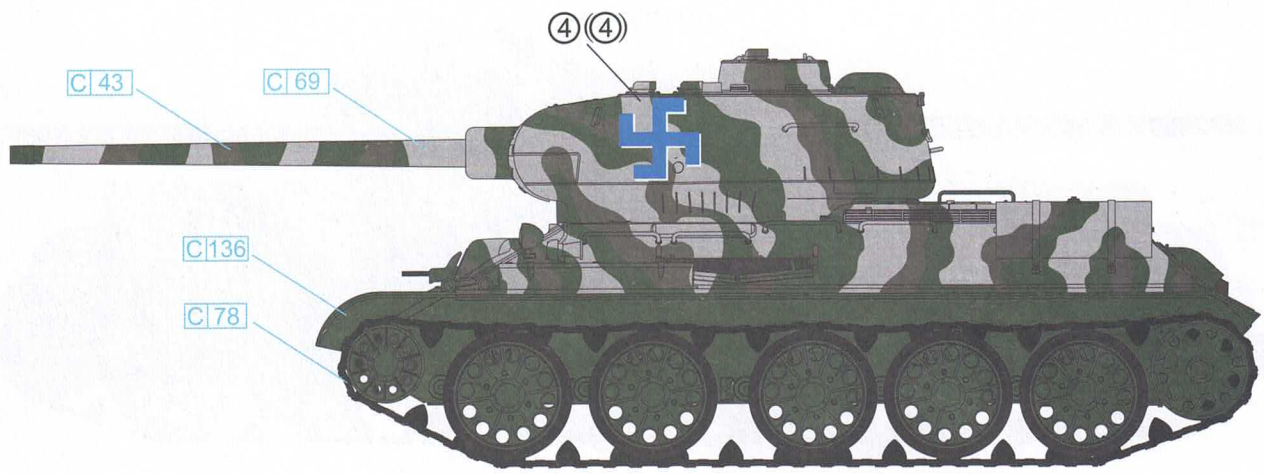


63th Guards Tank Brigade of Red army
苏联红军第63近卫坦克旅



9th Guards Mechanized Corps, 2th Guards Tank Corps of Red army
苏联红军第二近卫机械化军, 第九近卫机械化团





36th Guards Mechanized Brigade, 4th Guards Mechanized Corps of Red army
苏联红军装甲第四近卫军，第三十六机械化旅

