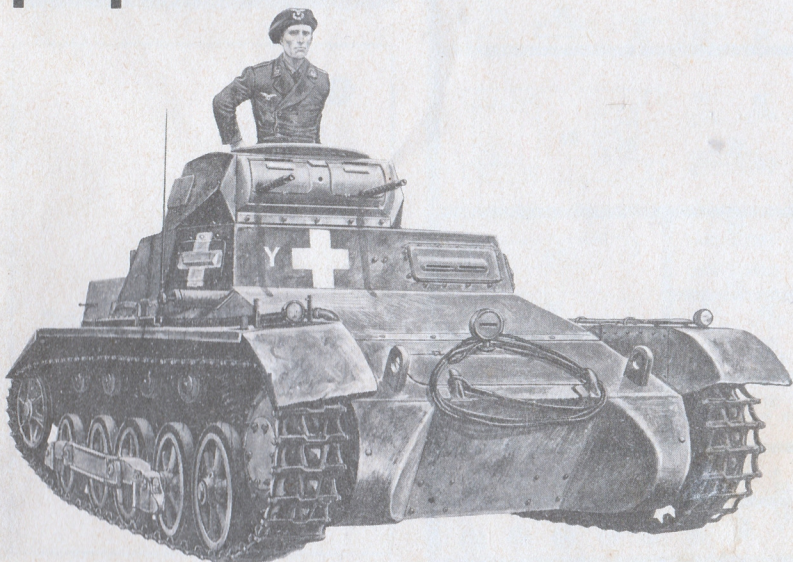


GERMAN TANK

pz. kpfw. I ausf. b.



SPECIFICATION

GENERAL

CREW: 2 MEN
BATTLE WEIGHT: 6.4 TONS
GROUND PRESSURE: 6.2 LBS/SQ. IN.

1/72 SCALE

DIMENSIONS

LENGTH: 14.7 FT.
HEIGHT: 5.8 FT.
WIDTH: 6.10 FT.
WIDTH OF TRACK: 11 IN.
GROUND CLEARANCE: 11.6 IN.

H-2321

ARMAMENT

TWO 7.9 MM. MG. 13 (DREYSE LIGHT MACHINE GUNS)

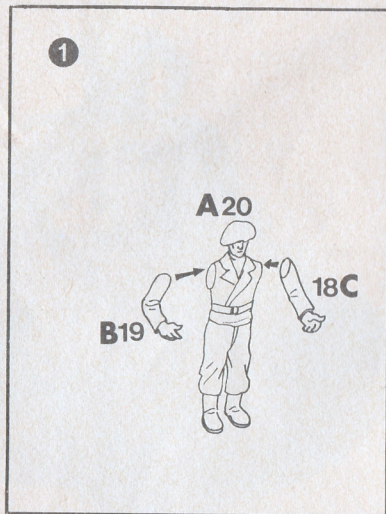
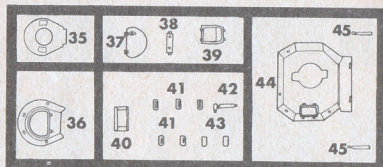
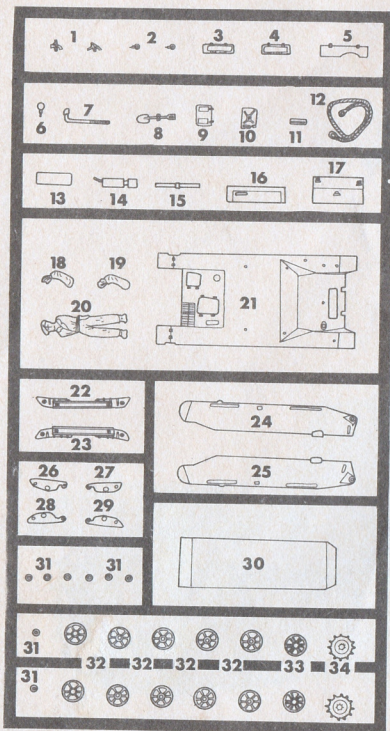
ENGINE

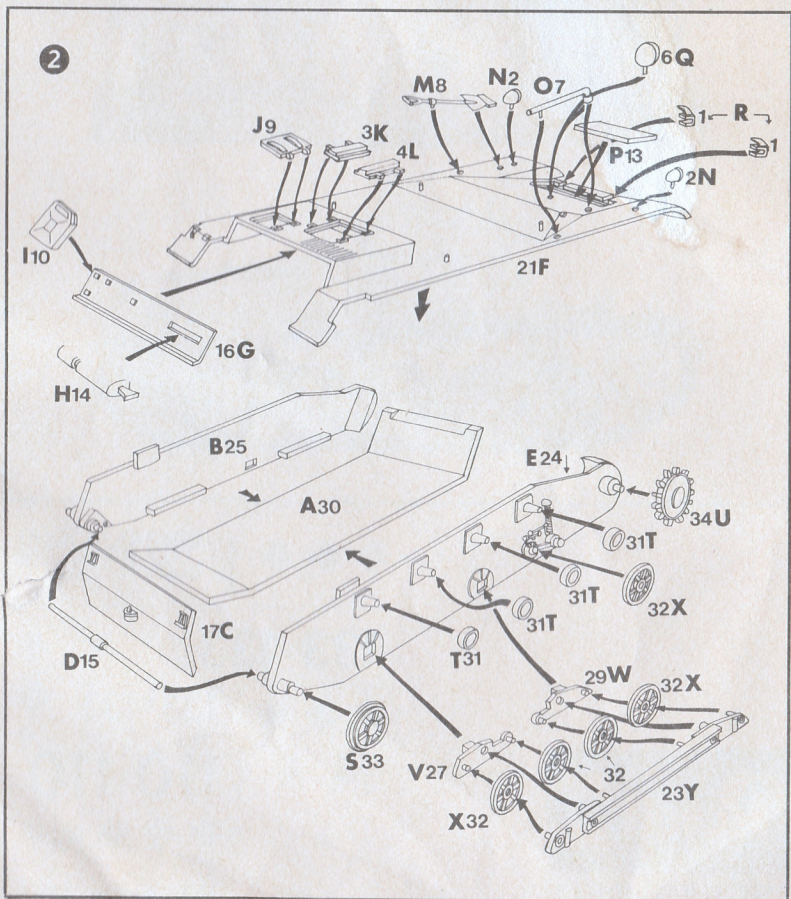
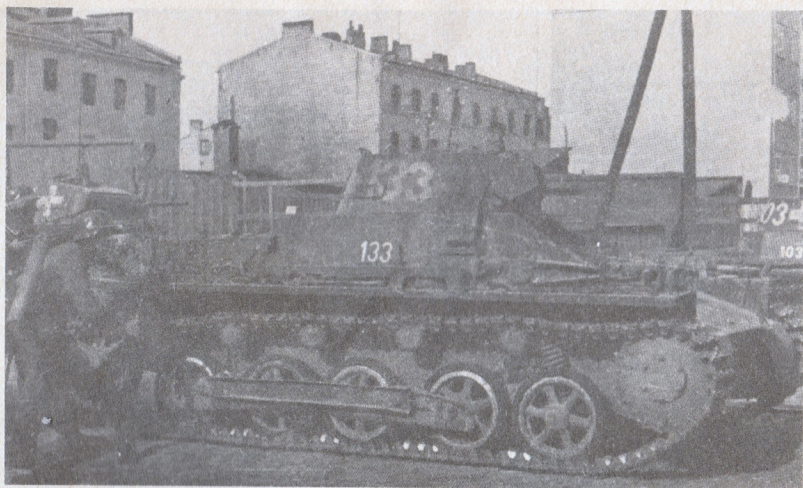
NL 38TR MAYBACH, 100 HP AT 3,000 RPM, 6 CYLINDERS IN-LINE,
LIQUID-COOLED, COMPRESSION RATIO 6.7:1

PERFORMANCE

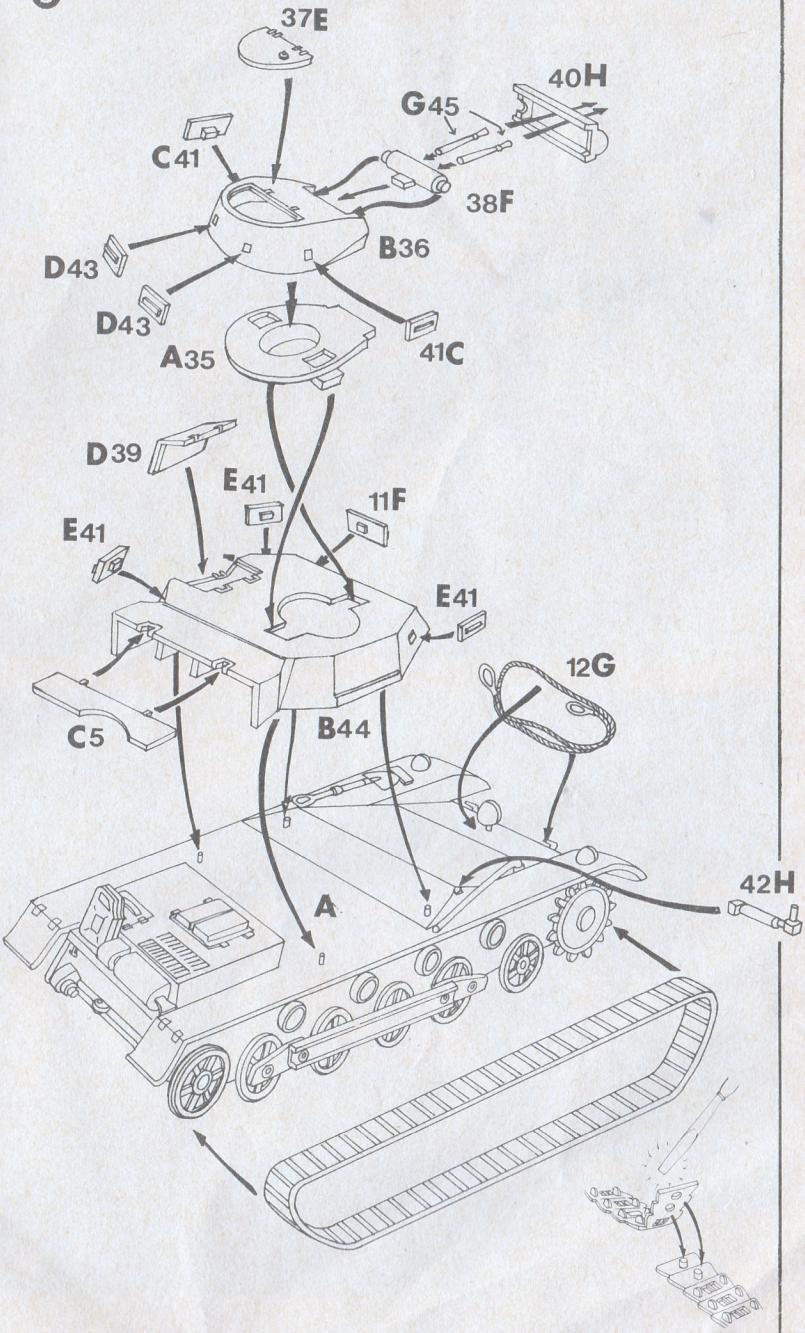
SPEED: 25 MPH ON ROAD
CLIMBING ABILITY: 30° (57%) SLOPE
TRENCH CROSSING ABILITY: 4.6 FT.
FORDING DEPTH: 23.6 IN.
FUEL CAPACITY: 39 GAL. (22 GAL. IN FORWARD
TANK; 17 GAL. REAR TANK)
RADIUS OF ACTION: 105 MILES ON ROAD;
71 MILES CROSS-COUNTRY

Revell
ESCI-MODELL

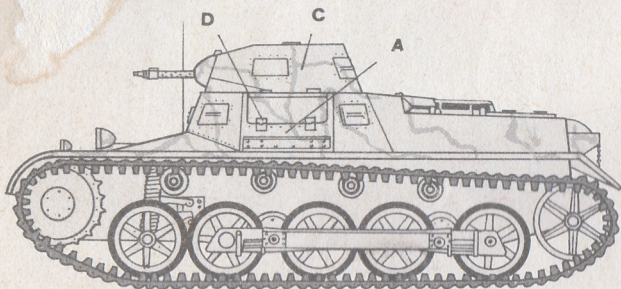
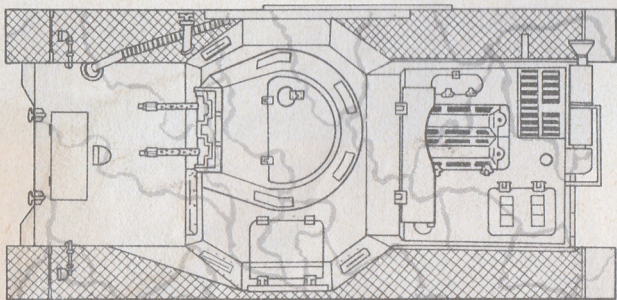
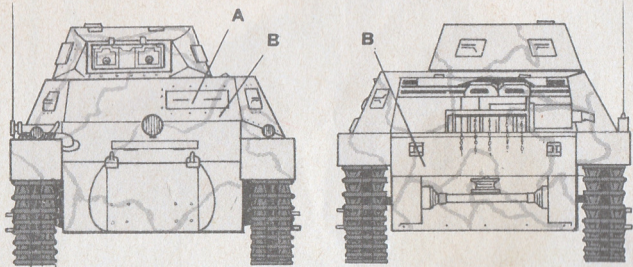




3







A † † † $\begin{matrix} \text{A} \\ \text{B} \\ \text{A} \end{matrix}$ 321^c 321

133^c 133 $\begin{matrix} \text{B} \\ \text{Y} \text{ Y} \end{matrix}$ †

A † † † | 133^D 133 †

c 1 1 | 110^c 110

A † † † $\text{O}_B \text{O}$



ESCI-MODELL

PZ. Kpfw IB