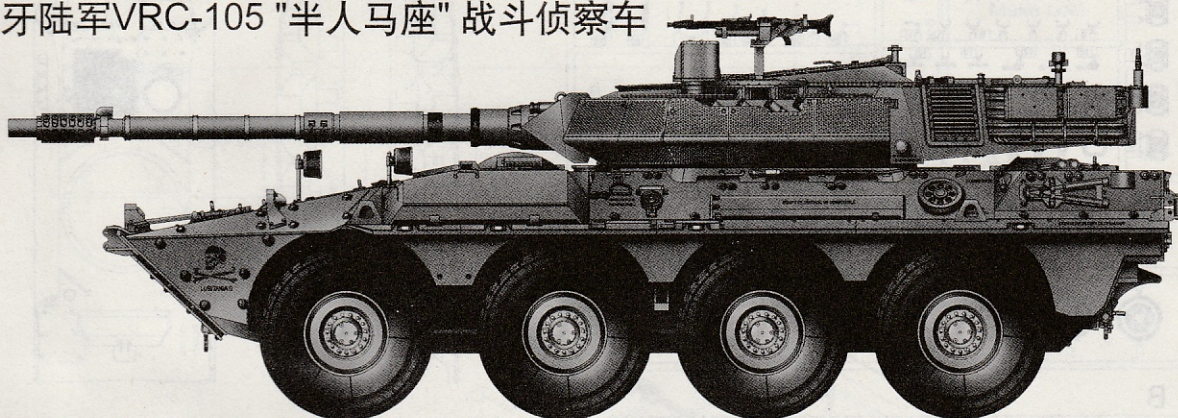


Spanish Army VRC-105 Centauro RCV

西班牙陆军VRC-105 "半人马座" 战斗侦察车



Thanks to Auriga Publishing Int. for the precious cooperation

READ BEFORE ASSEMBLY:

- Study and understand these instructions thoroughly before beginning assembly
- When needed, remove photo-etch parts carefully using a modeling knife or photo etch sprue cutter, being careful not to damage or lose small parts.
- Take extra care in handling photo etch parts in order to avoid injury
- Apply instant cement sparingly to photo etch parts where instructed
- Tools recommended(not included in kit):Plastic and instant cements,sprue cutters,long nose pliers.,modeling knife, small files, tweezers, pin vise & scissors. Soft cloth and sandpaper will also assist in construction
- Glue and paint are not included in the kit. Use plastic cement and hobby paints only. Color guide for purchasing paint is included in the kit.

装配之前仔细阅读

- 小心用模型锉刀锉平所有零件表面的注射浇口。
- 小心用刀片切下蚀刻片零件，不要遗失小零件。
- 用强力快干胶水粘合蚀刻片零件和金属轴。过量的快干胶水使用可能导致可动零件会粘住，小心涂胶。
- 取蚀刻片时应特别注意安全，防止利边划伤手指。
- 某些零件表面需贴上水贴纸，请选择在装配的同时进行。
- 推荐模型工具(自备)：胶水，水口剪刀，长咀钳，刀片，锉刀，镊子，钳，钻，剪刀，瞬间快干胶。
- 软布同砂纸同时也应该是必备工具。
- 请使用塑料胶水和油漆，模型内不含。



cyanocrilate glue
使用强力胶



weight
配重



make hole
钻孔



cut / remove
切除



bend
弯曲



file / sand
锉平



option
选择



no cement
不涂胶水



decal
贴纸

水贴纸的使用:

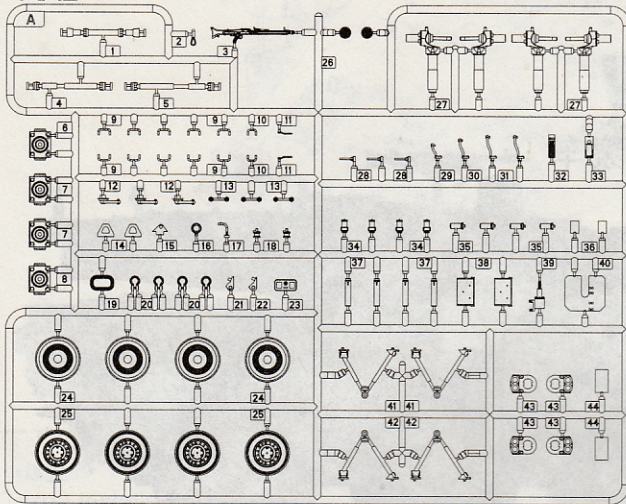
1. 从水贴上剪下印花;
2. 将印花放入温水中浸10秒，然后放在干净布上。
3. 拿着印花纸板将印花移到模型上;
4. 手指蘸水将印花移到适当的位置;
5. 用软布轻压印花直至水干，气泡消失。

DECAL APPLICATION:

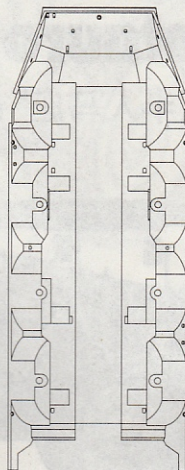
1. Cut decals from sheet as needed
2. Dip the decal in warm water for about 10 seconds and then place on soft clean cloth.
3. Hold the decal backing sheet edge and gently slide the decal onto the model in its proper position.
4. While still wet, decal can be adjusted for better fit on model by dampening it gently with your finger.
5. When placed in the proper position, gently press decal down with a soft cloth until excess water and air bubbles are gone.
6. Allow decal to dry completely before handling model

部品图 Parts

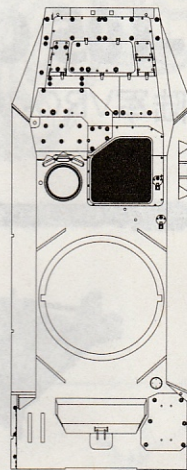
AX2



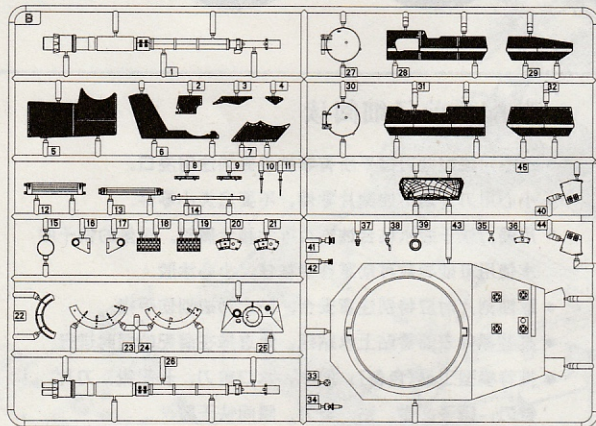
《车底》
Lower hull



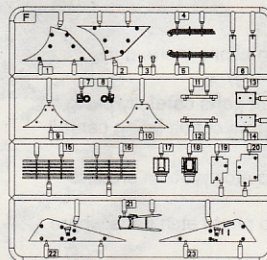
《车面》
Upper hull



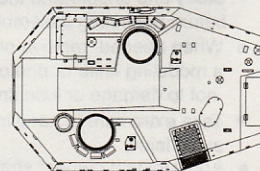
B



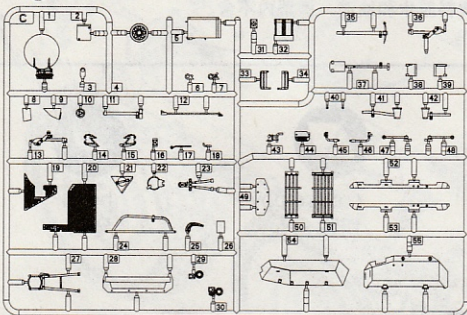
F



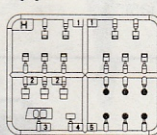
《炮塔》
Turret



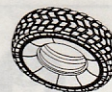
C



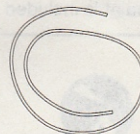
H



《轮胎》X8
Tyre X8

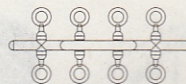


《铜缆》Cable
Ø0.8X150mm

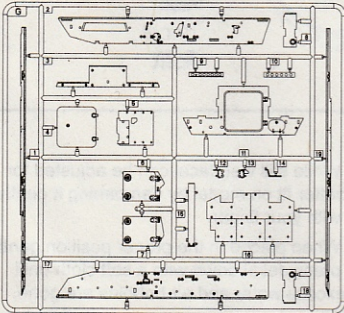


《蚀刻片》
Photo etched part(PE)

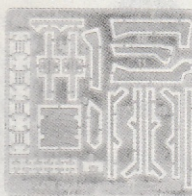
《聚乙烯套》
Poly cap



G

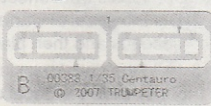


A



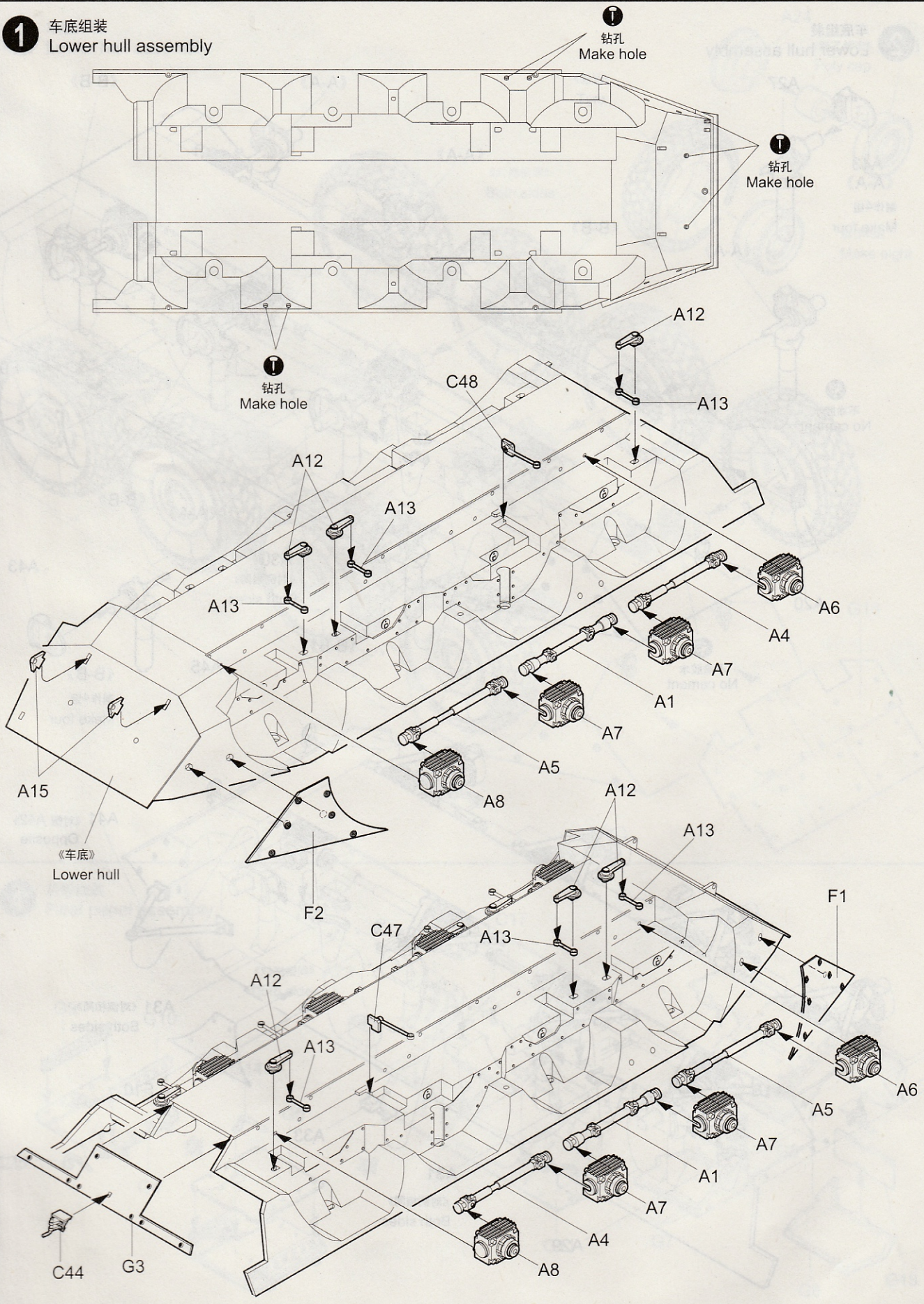
《水贴纸》
Decal

B

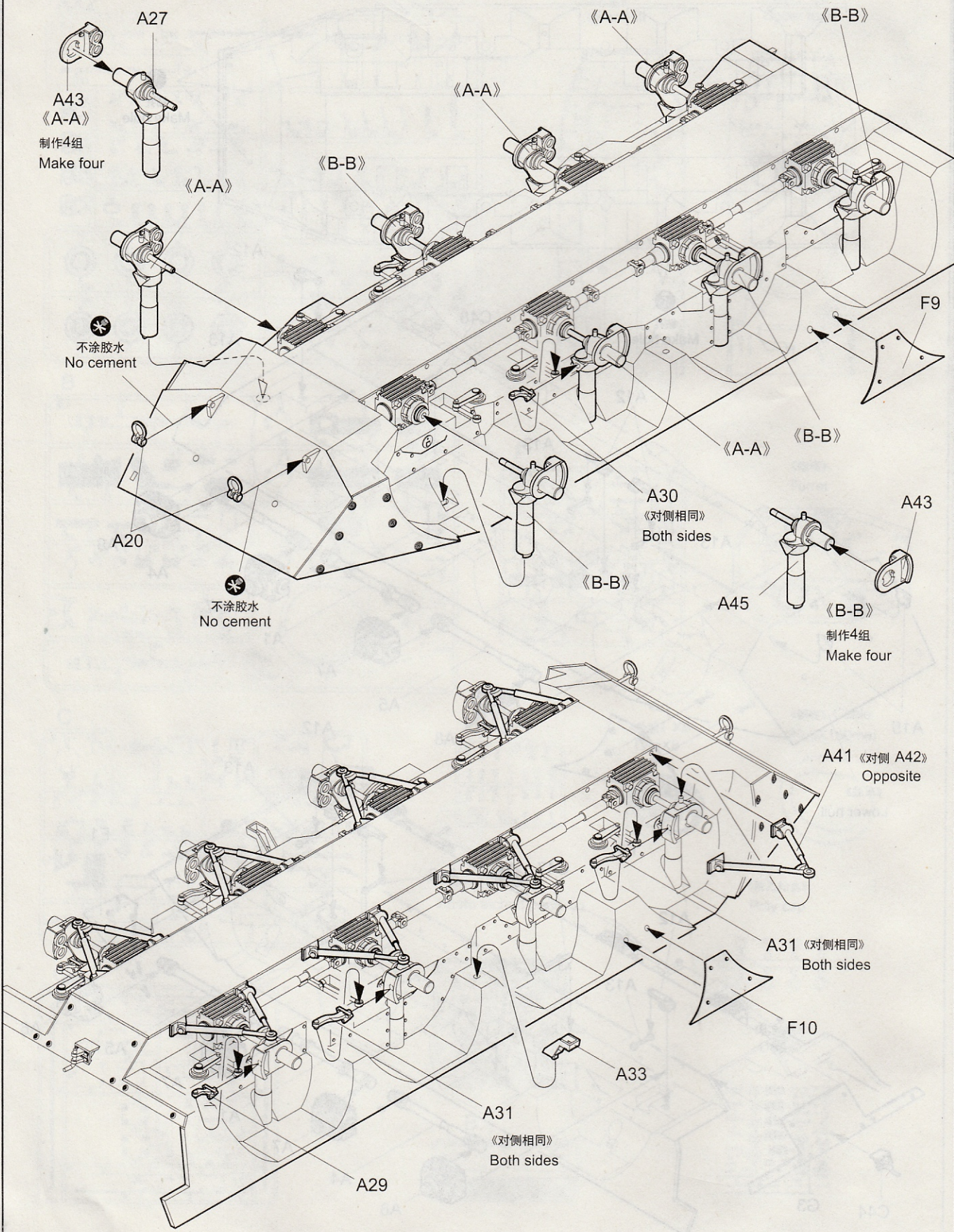


零件号	数量	名称	规格
441	1	螺栓	M3x6
442	1	螺母	M3
443	1	垫圈	M3
444	1	垫圈	M3
445	1	垫圈	M3
446	1	垫圈	M3
447	1	垫圈	M3
448	1	垫圈	M3
449	1	垫圈	M3
450	1	垫圈	M3
451	1	垫圈	M3
452	1	垫圈	M3
453	1	垫圈	M3
454	1	垫圈	M3
455	1	垫圈	M3
456	1	垫圈	M3
457	1	垫圈	M3
458	1	垫圈	M3
459	1	垫圈	M3
460	1	垫圈	M3

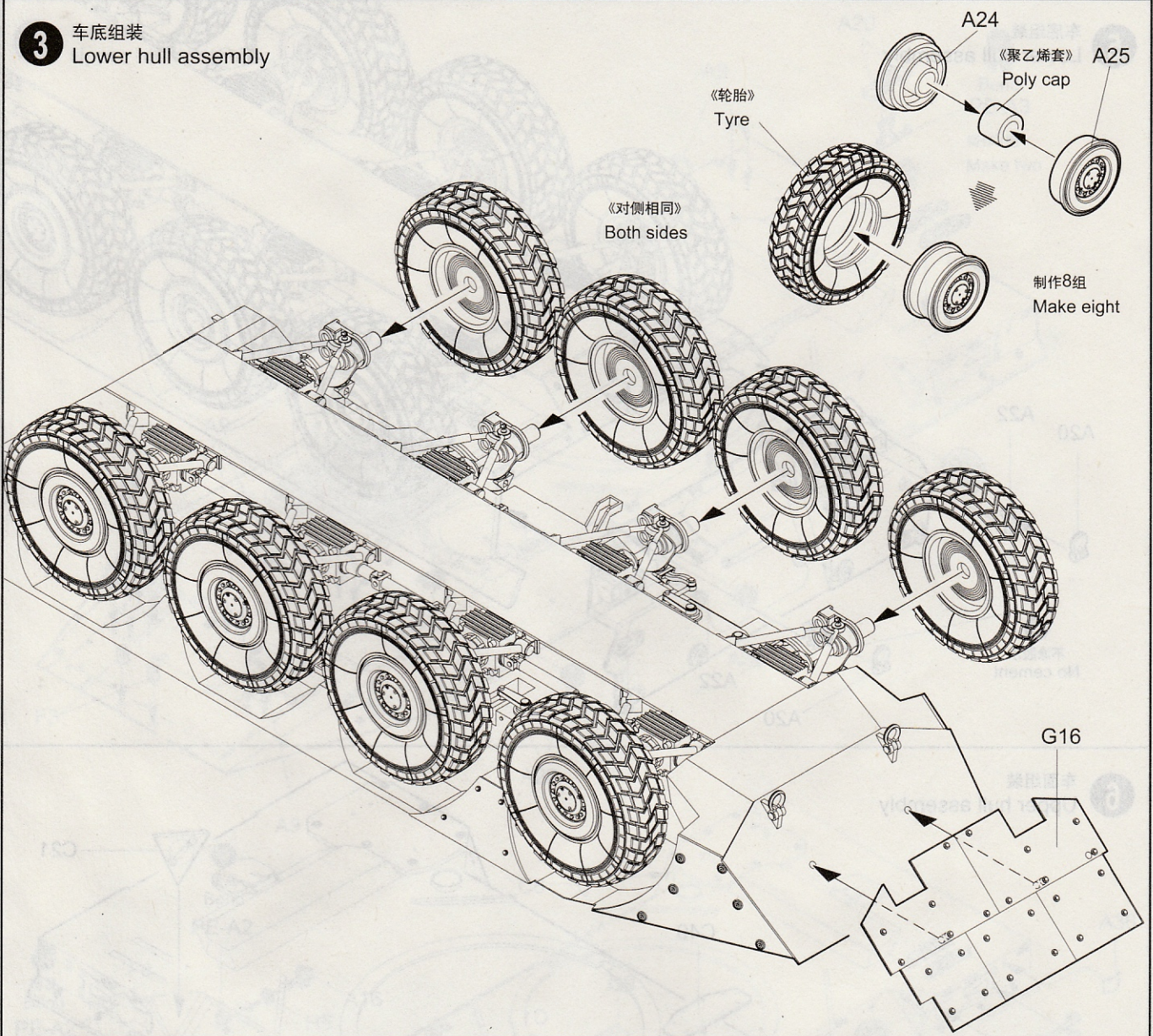
1 车底组装
Lower hull assembly



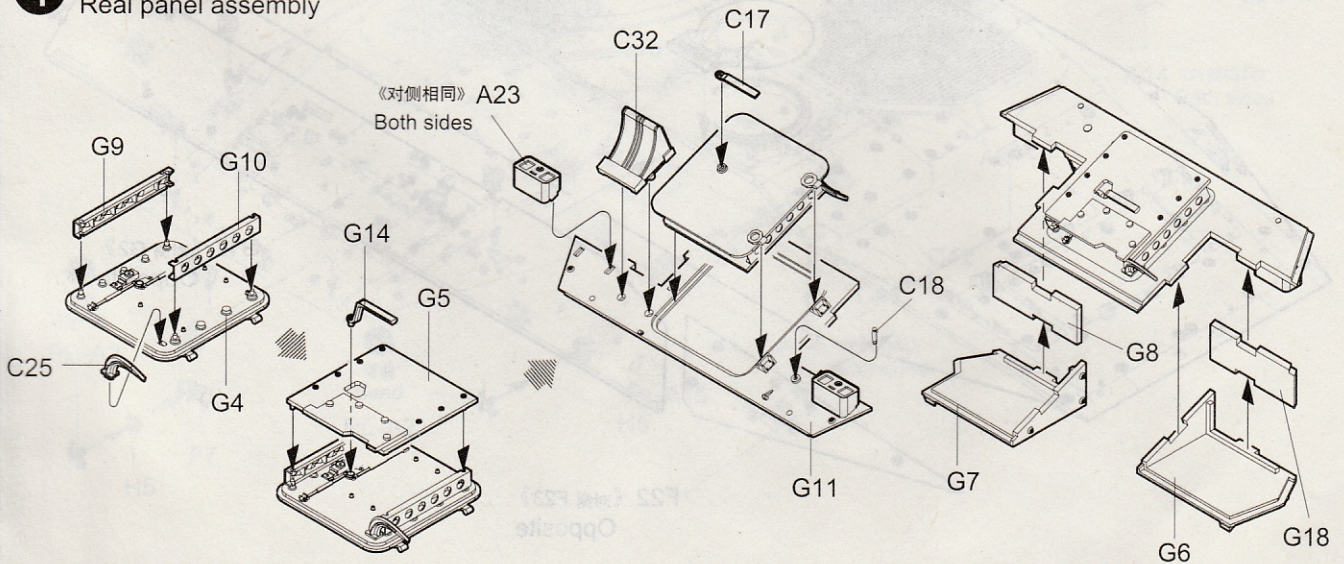
2 车底组装
Lower hull assembly



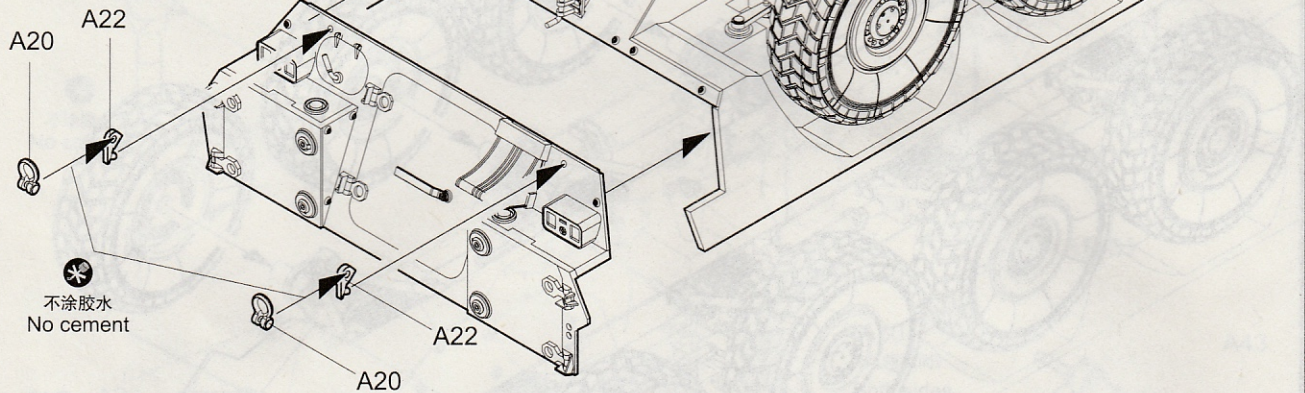
3 车底组装
Lower hull assembly



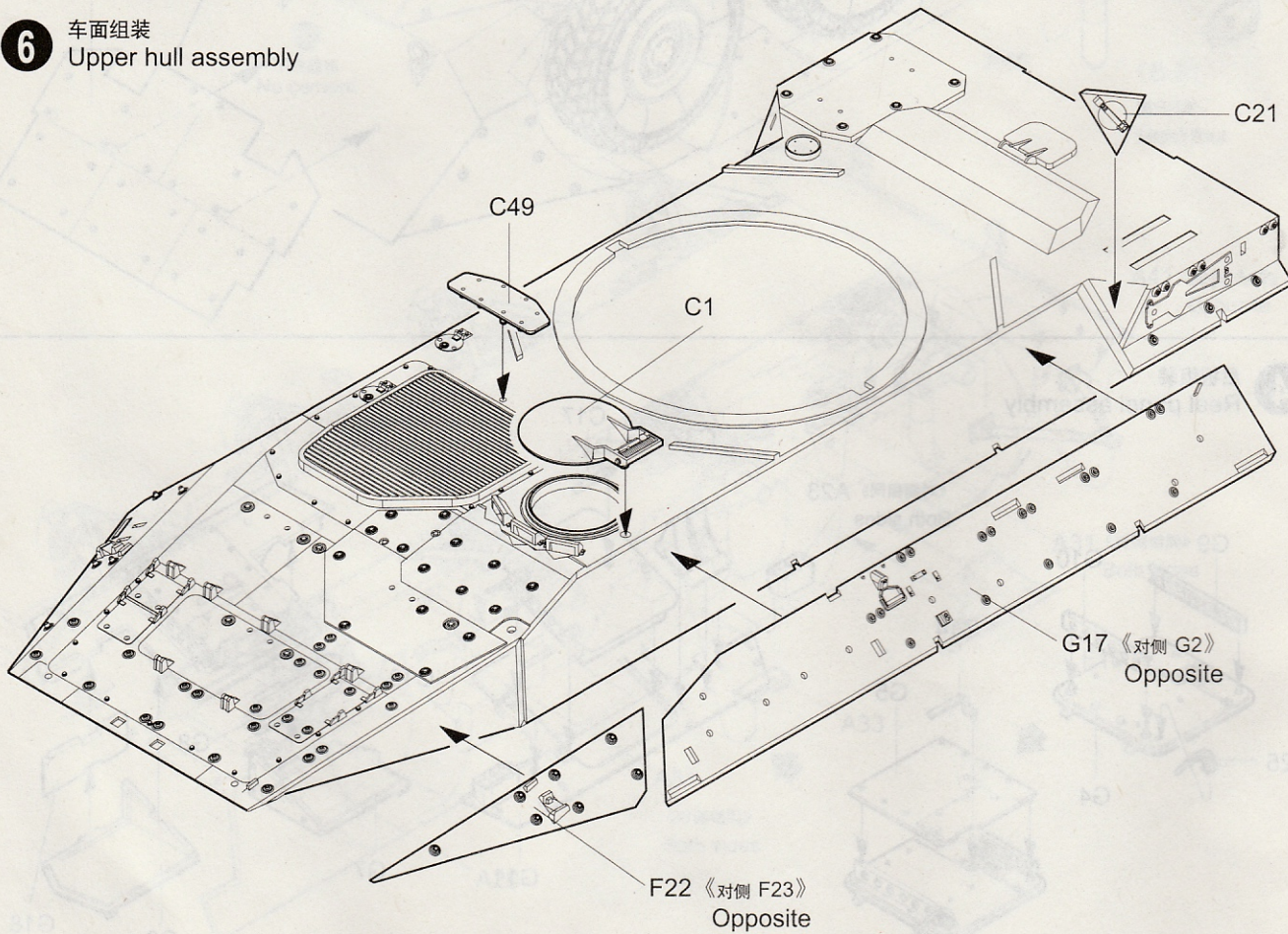
4 后板组装
Rear panel assembly



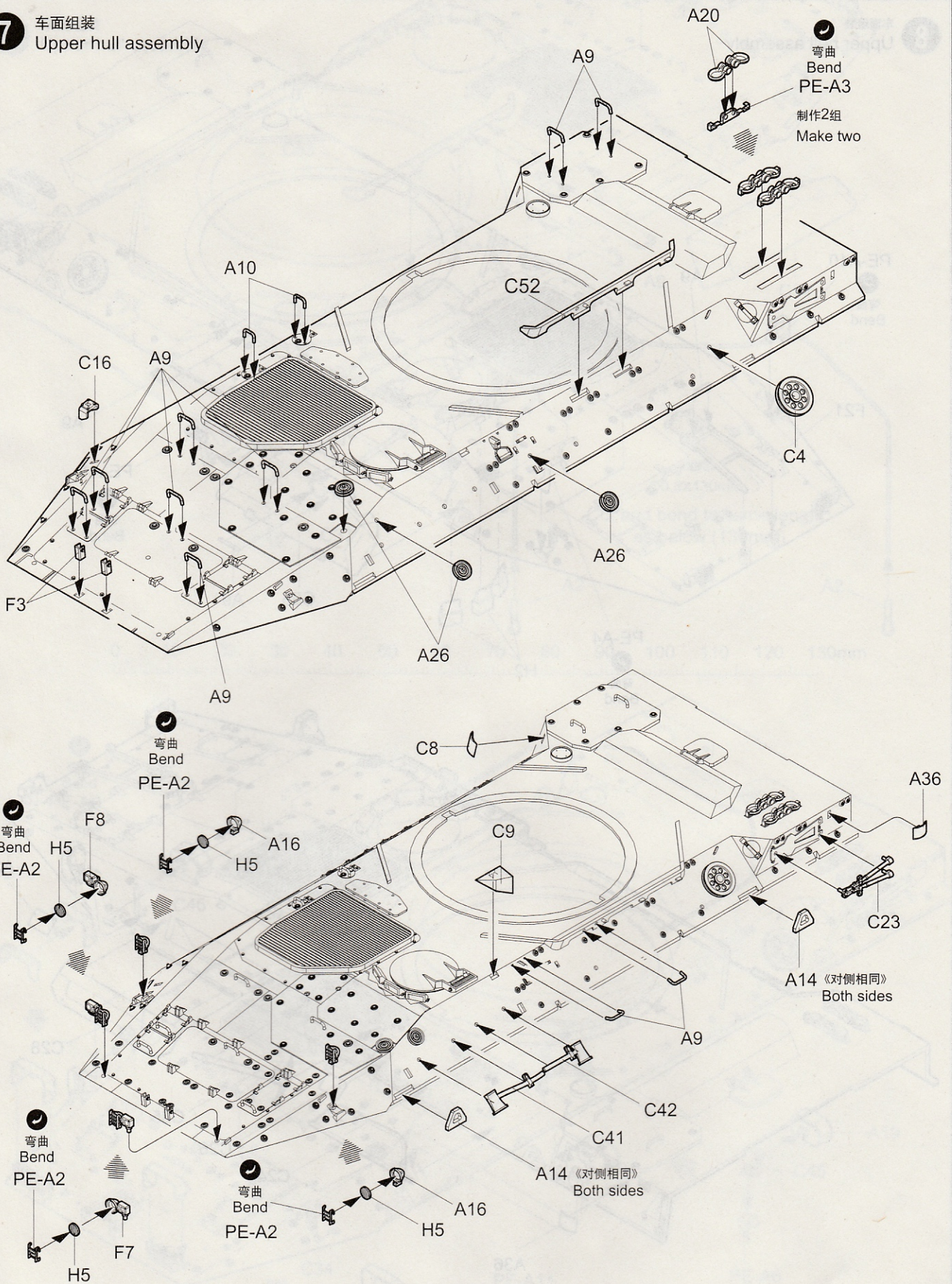
5 车底组装
Lower hull assembly



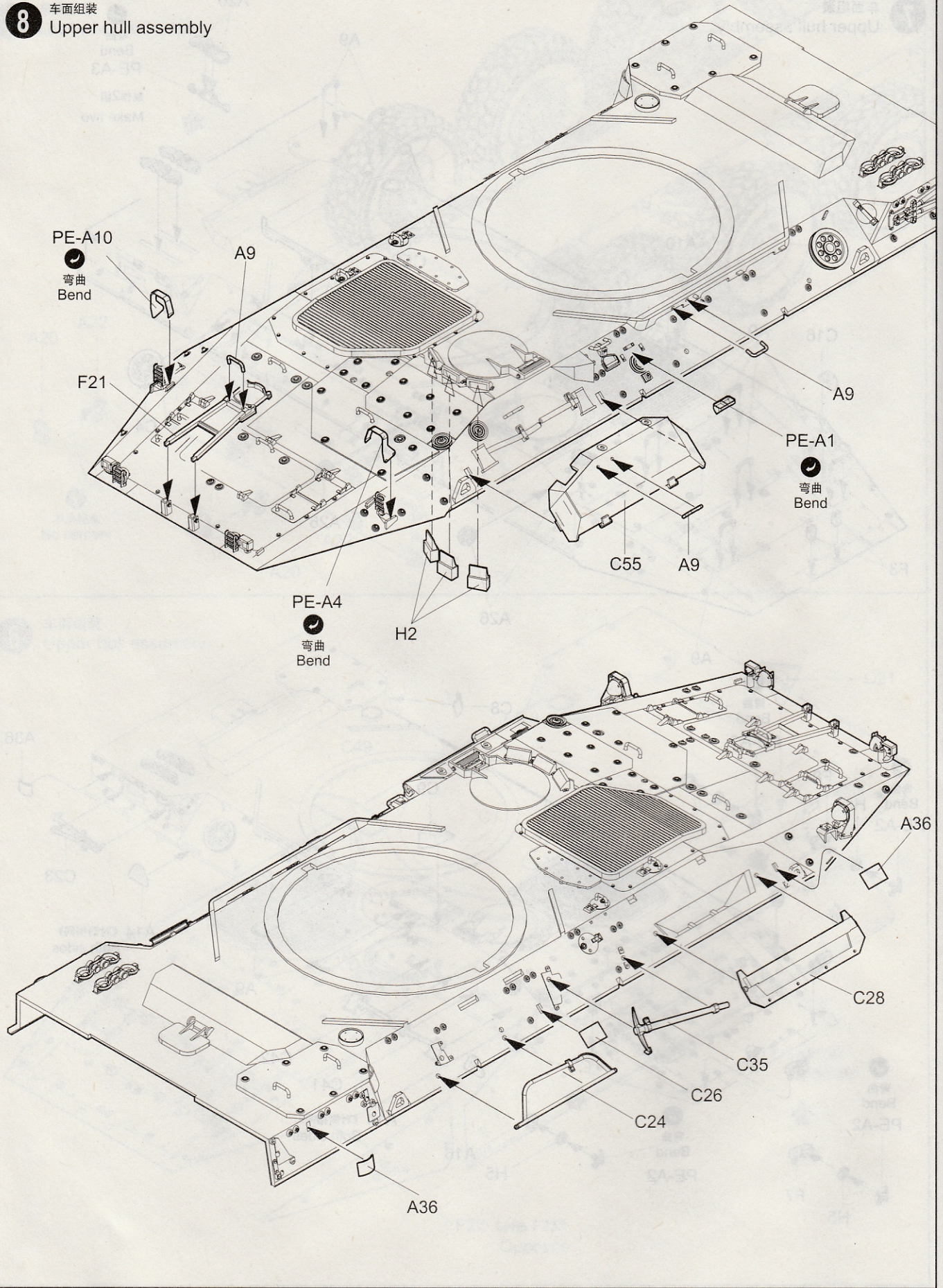
6 车面组装
Upper hull assembly



7 车面组装
Upper hull assembly

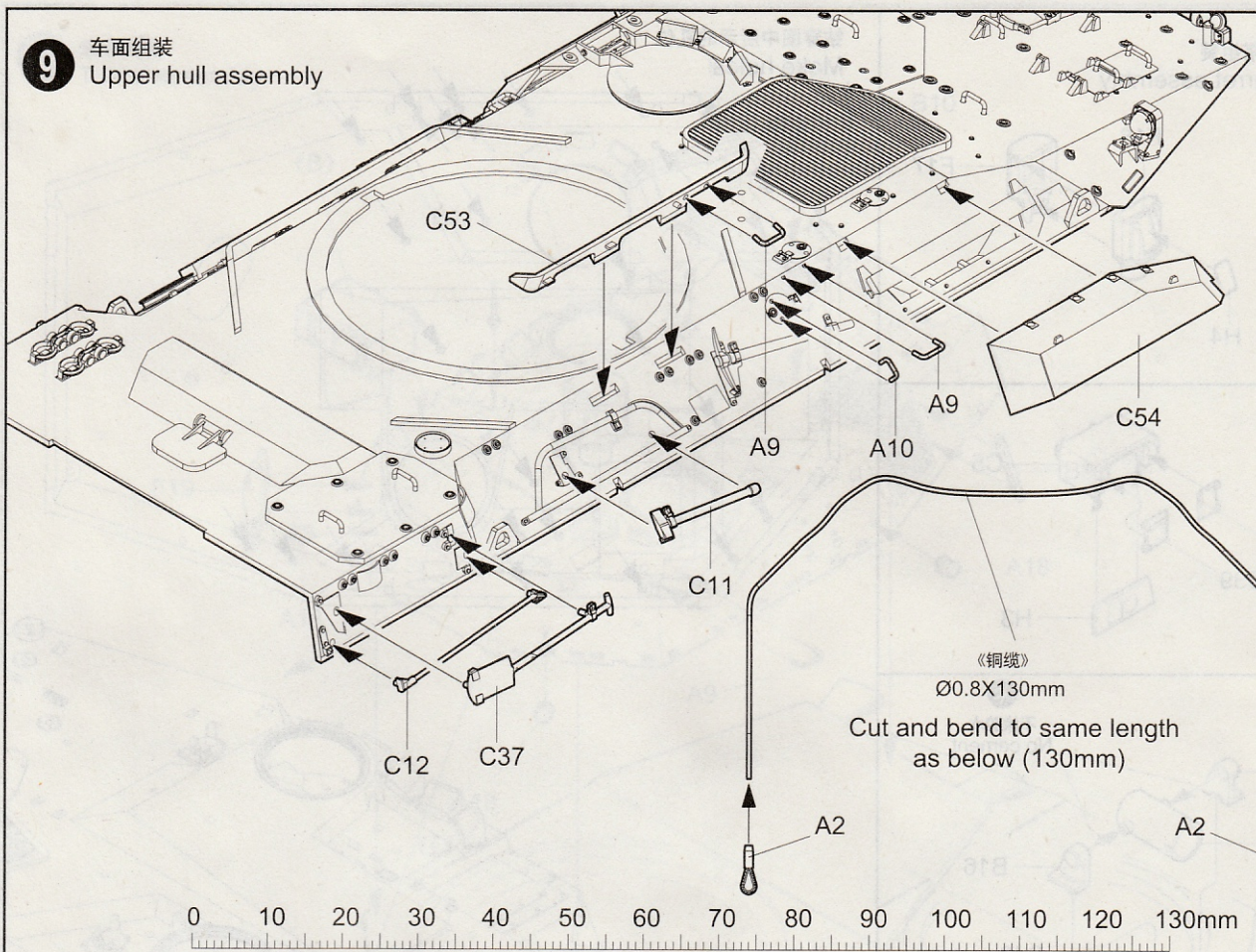


8 车面组装
Upper hull assembly

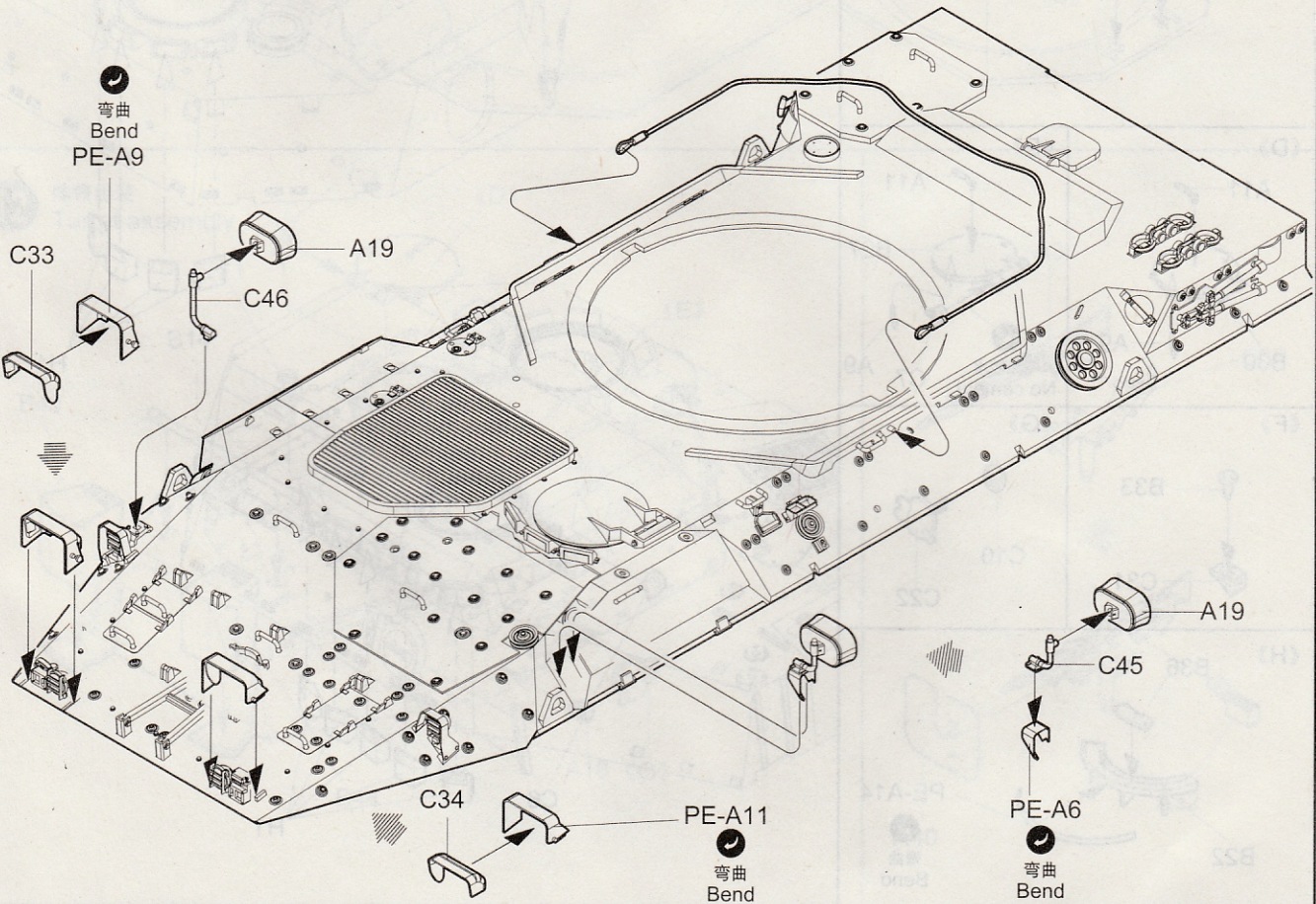


9

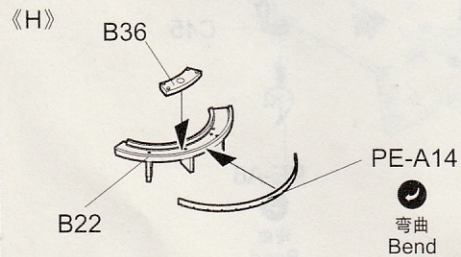
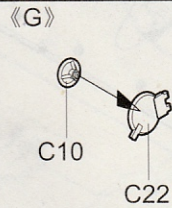
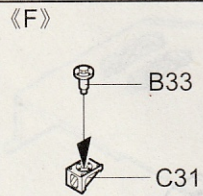
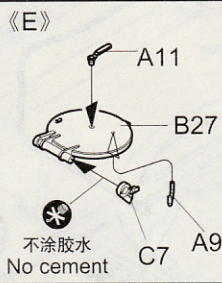
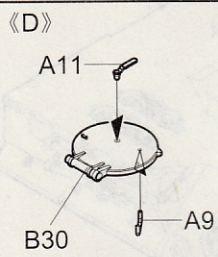
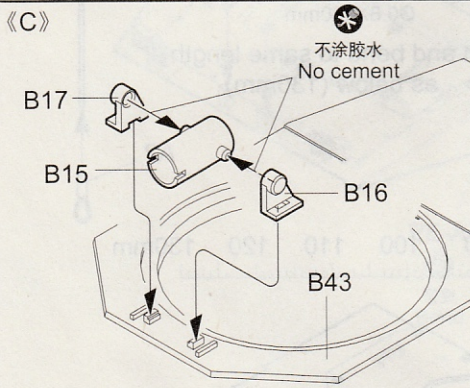
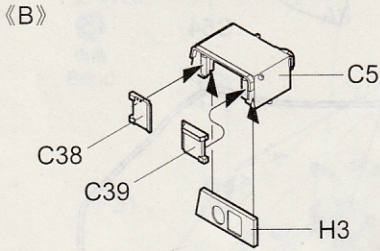
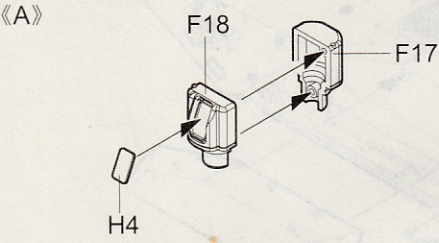
车面组装
Upper hull assembly



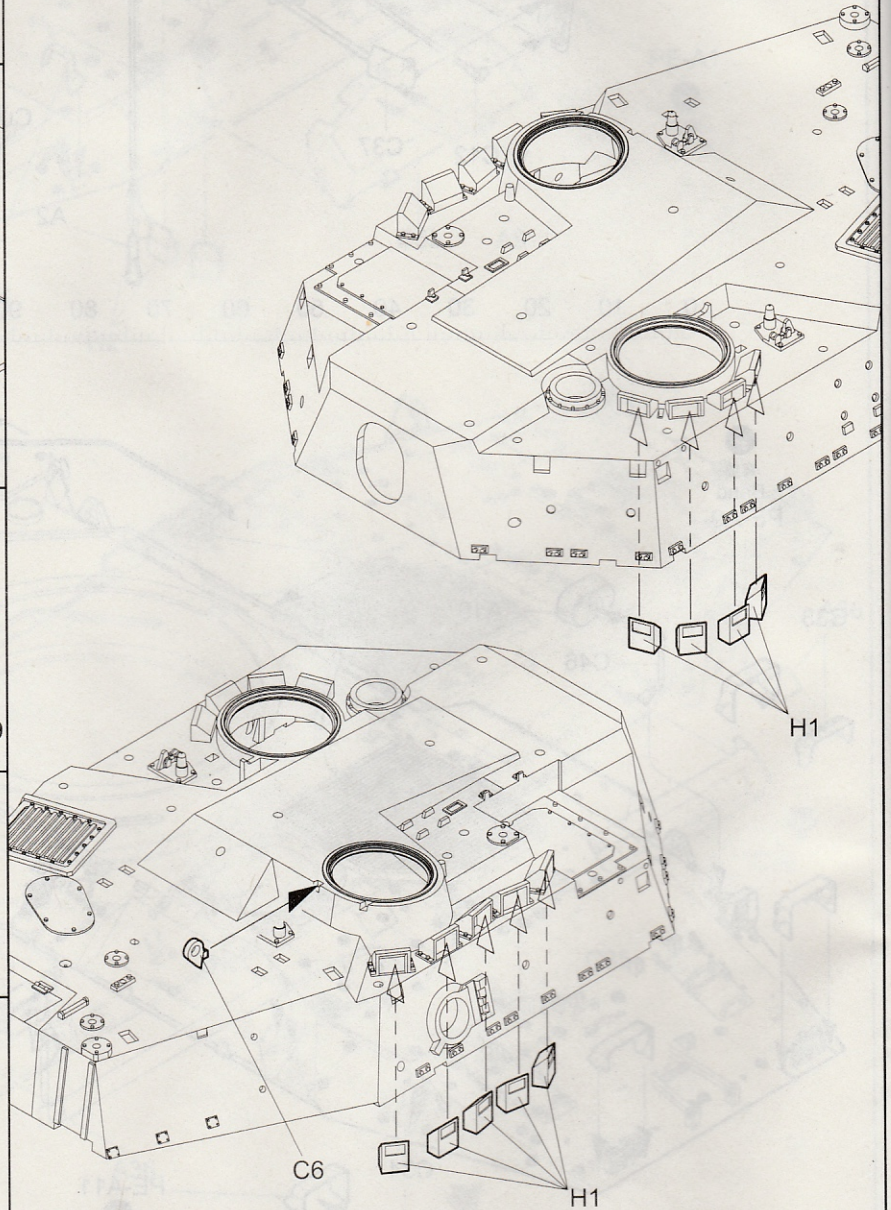
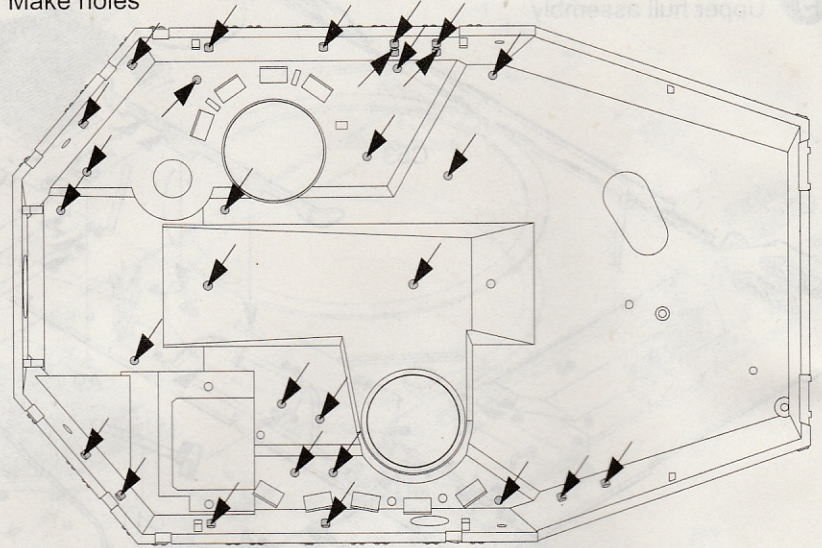
弯曲
Bend
PE-A9



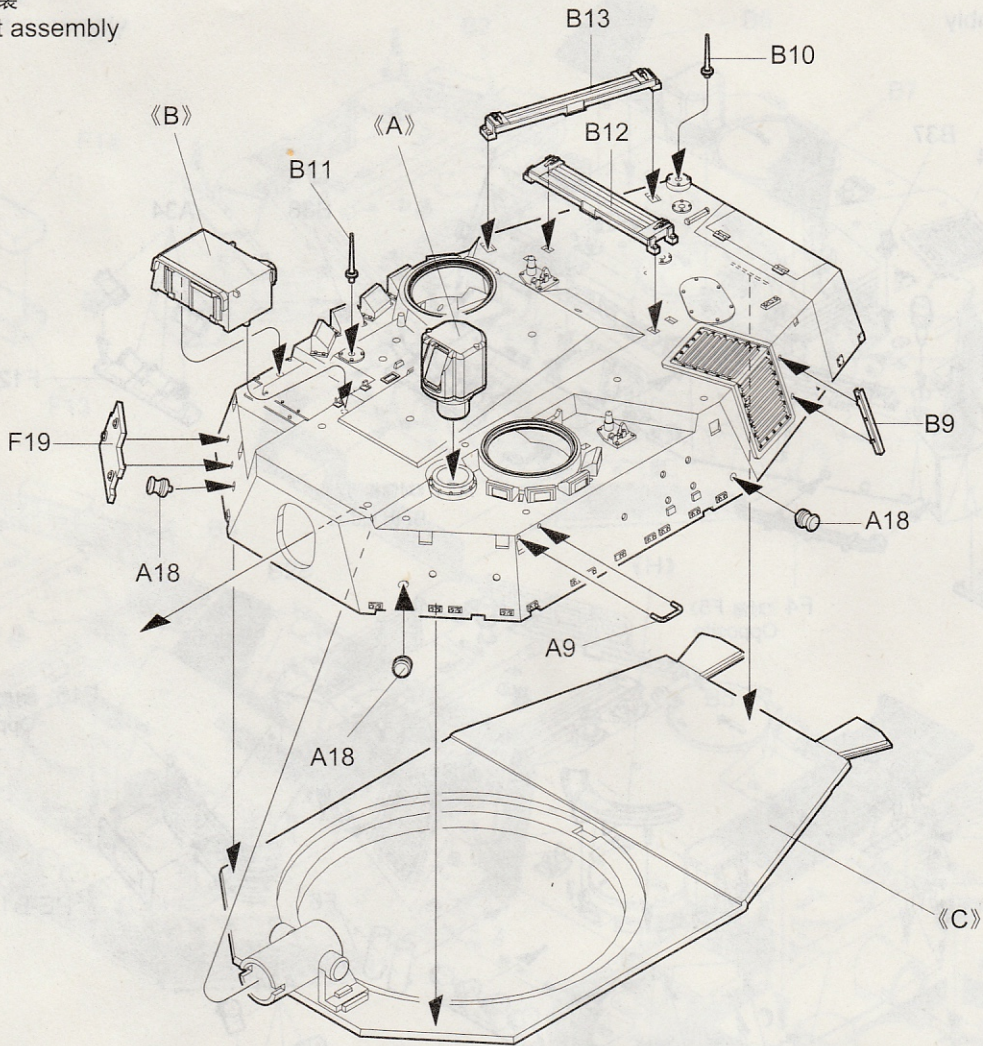
10 炮塔组装
Turret assembly



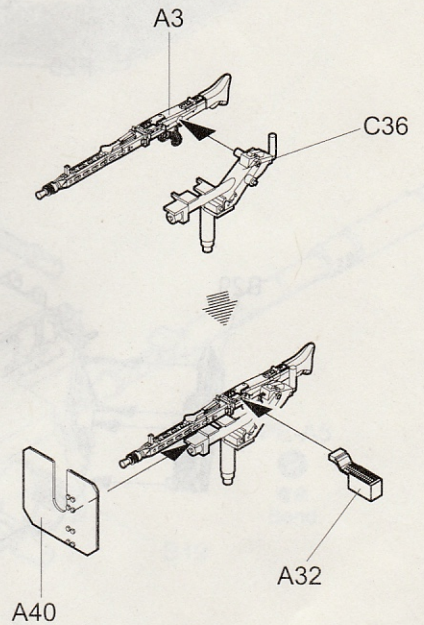
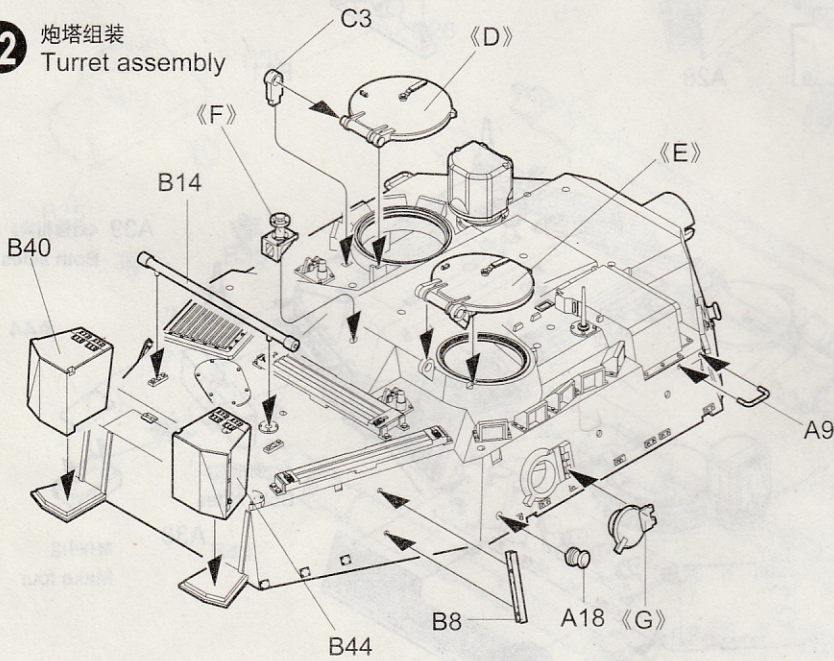
钻穿图中所示的孔位
Make holes



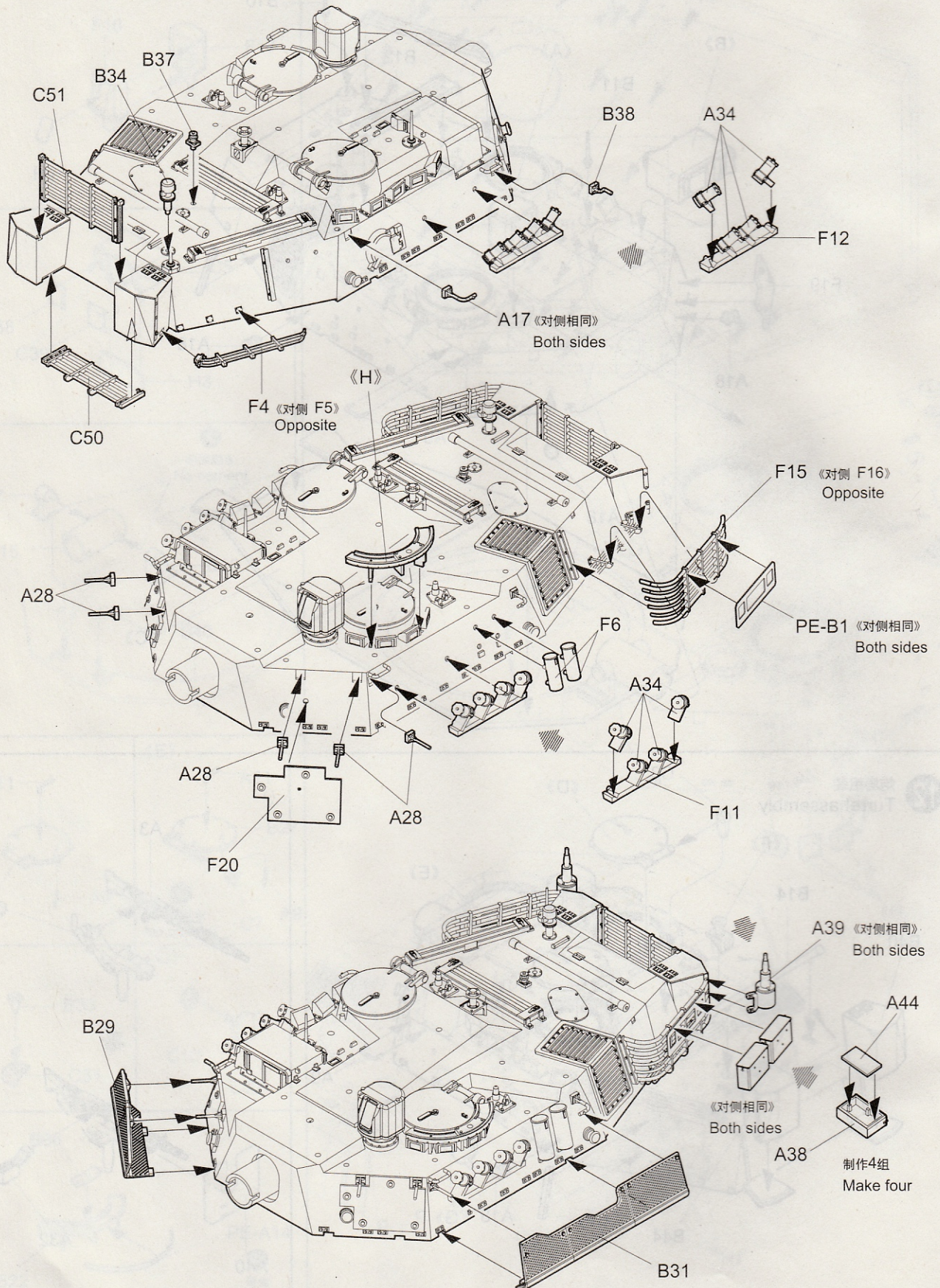
11 炮塔组装
Turret assembly



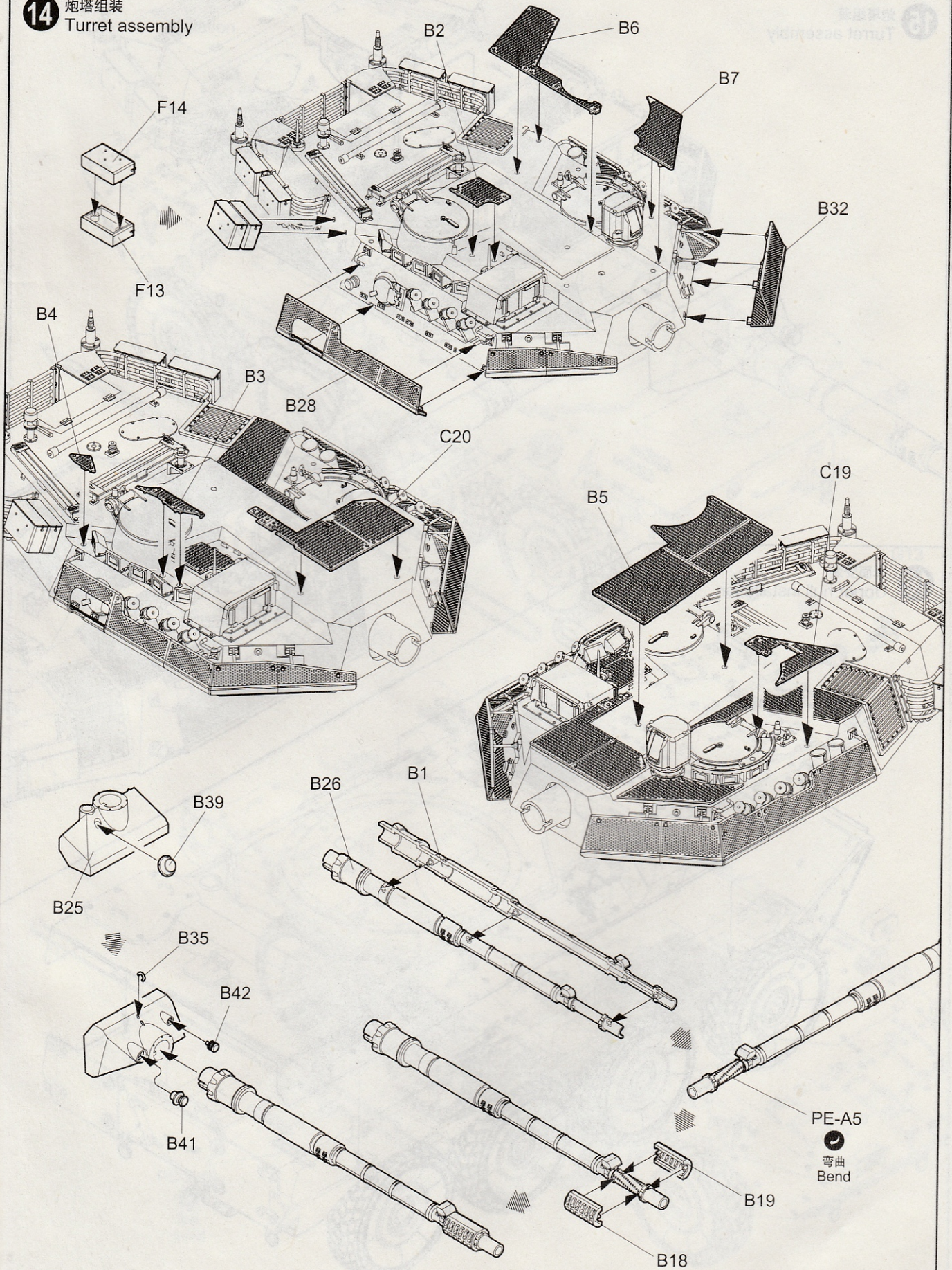
12 炮塔组装
Turret assembly



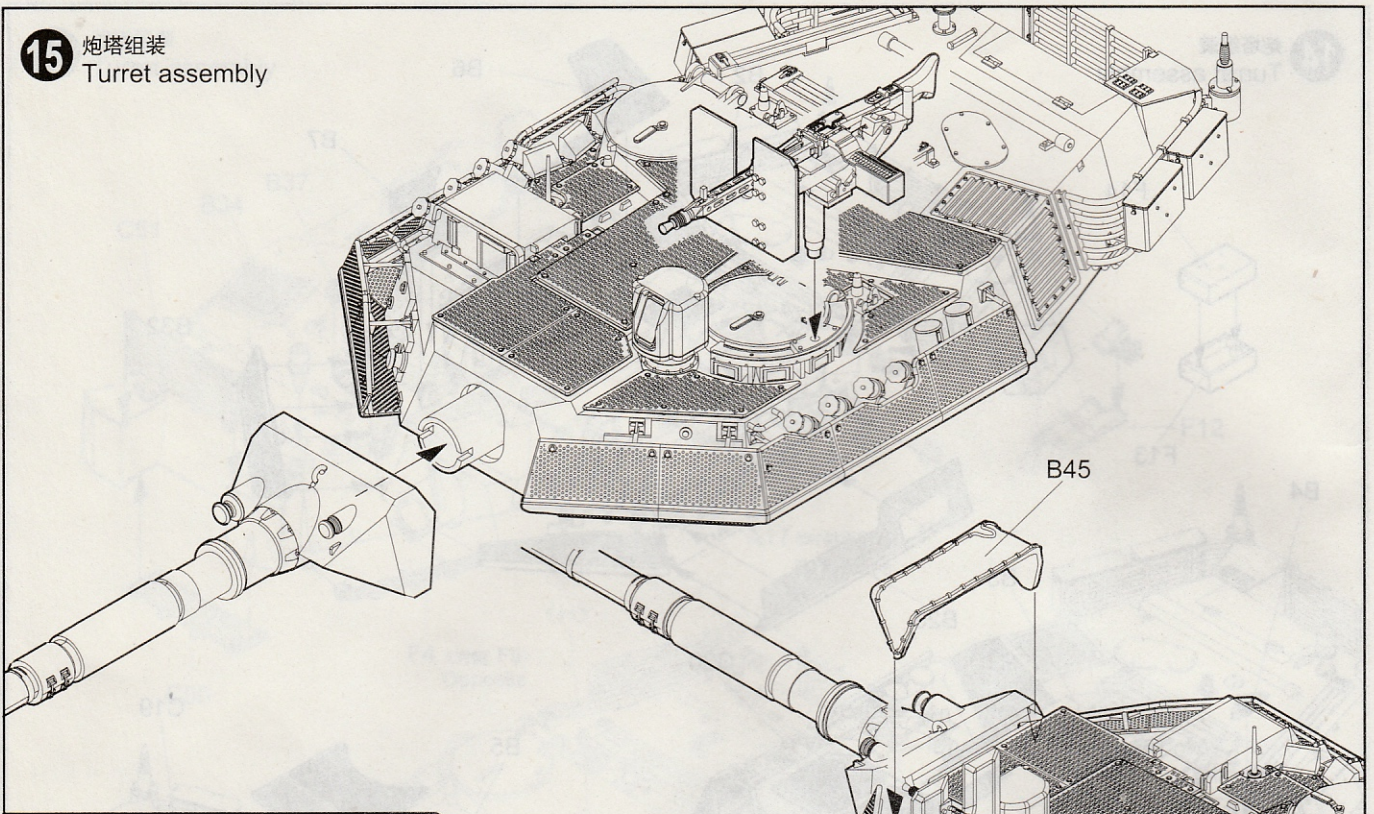
13 炮塔组装
Turret assembly



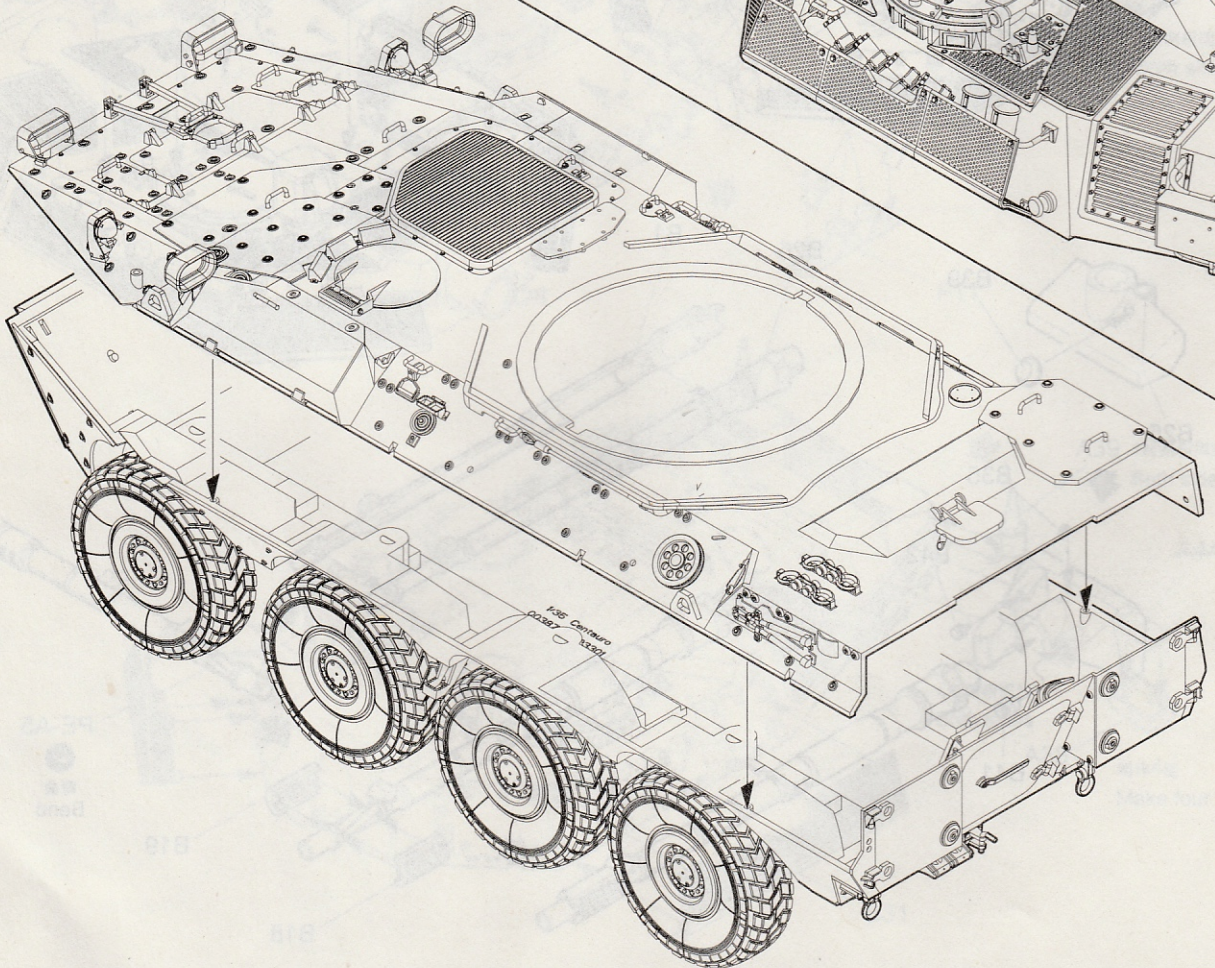
14 炮塔组装
Turret assembly



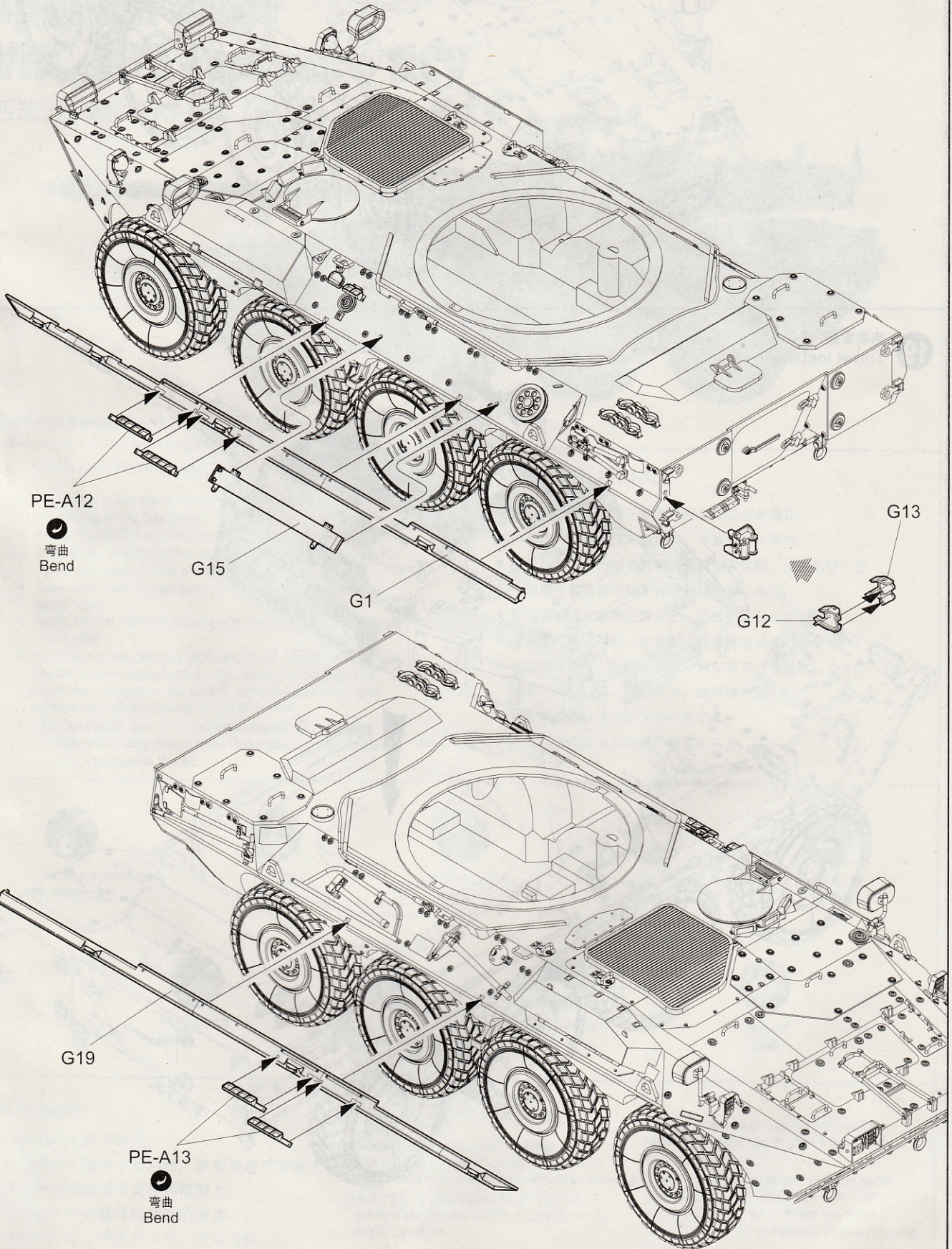
15 炮塔组装
Turret assembly



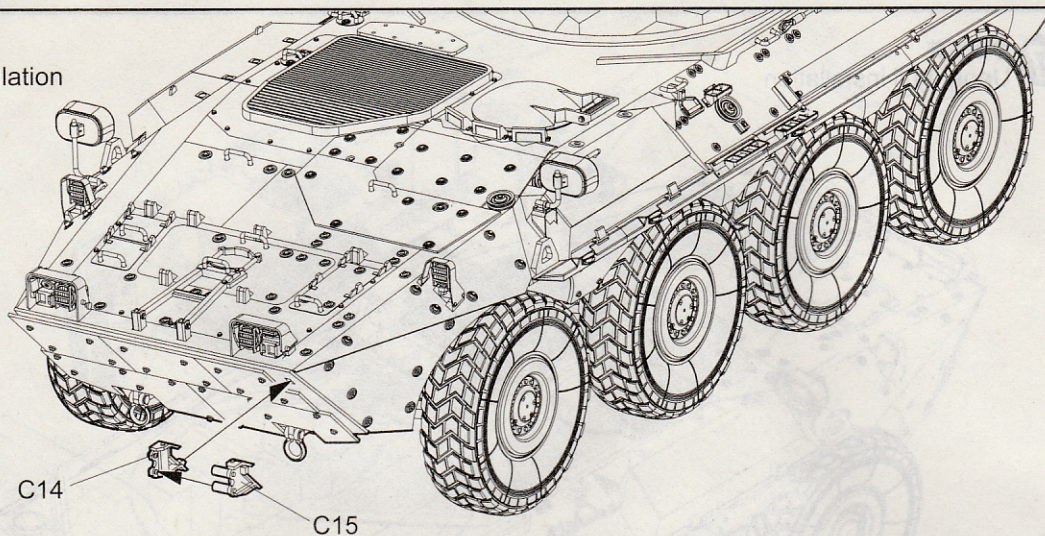
16 车面安装
Upper hull installation



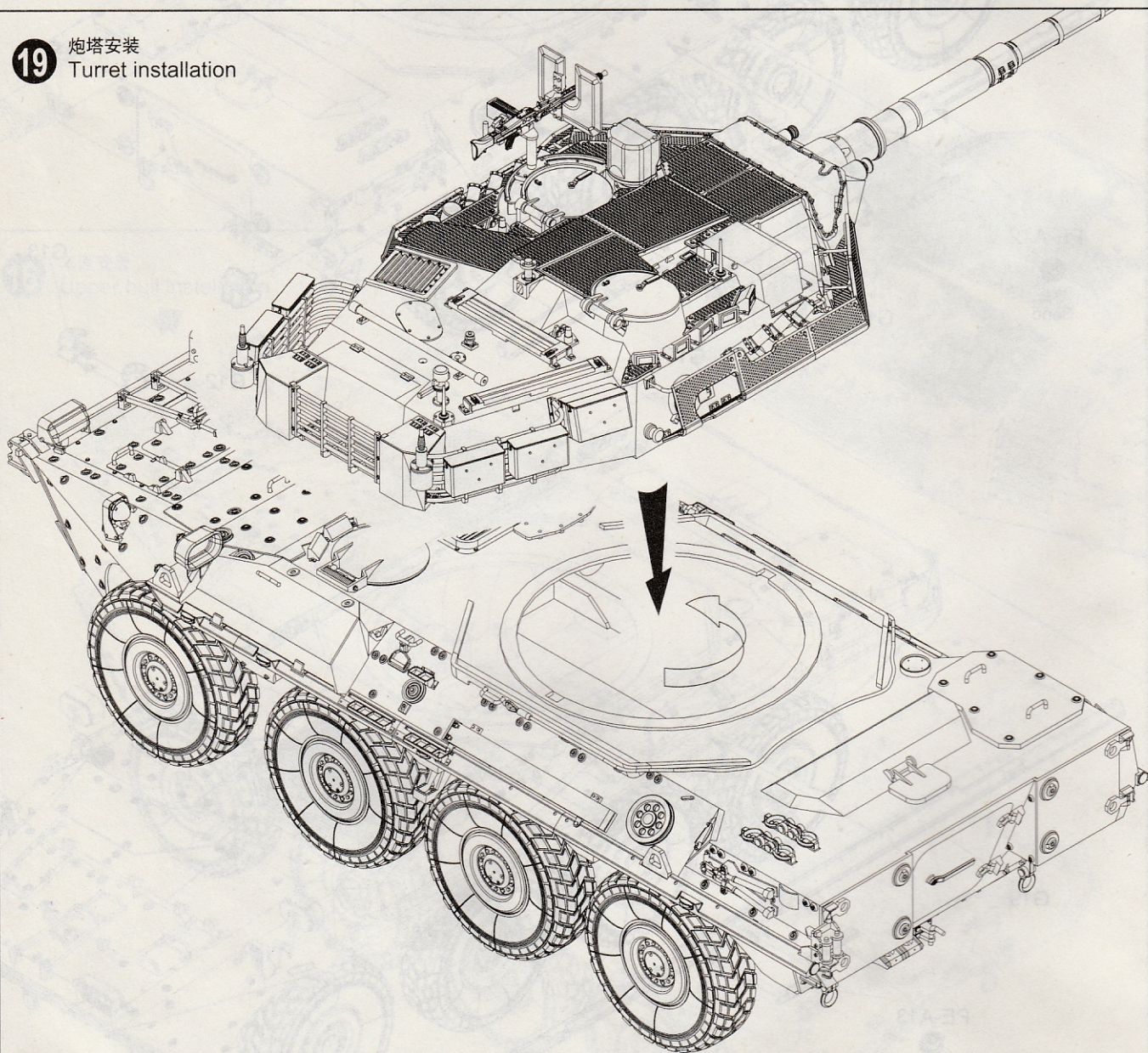
17 车面安装
Upper hull installation



18 车面安装
Upper hull installation



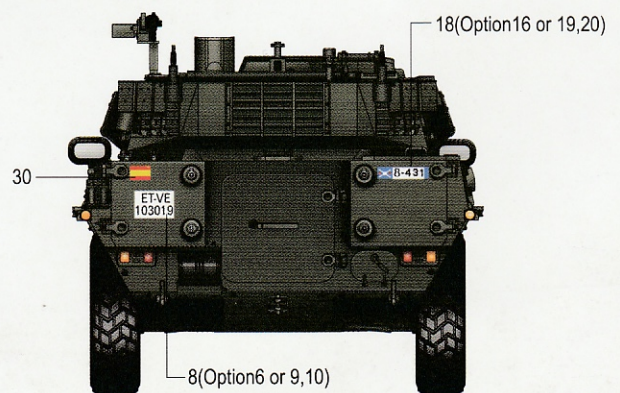
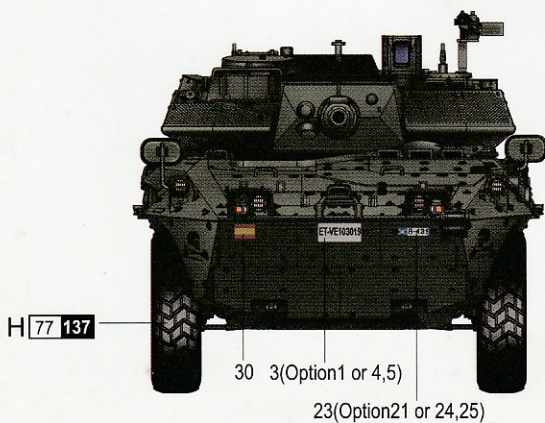
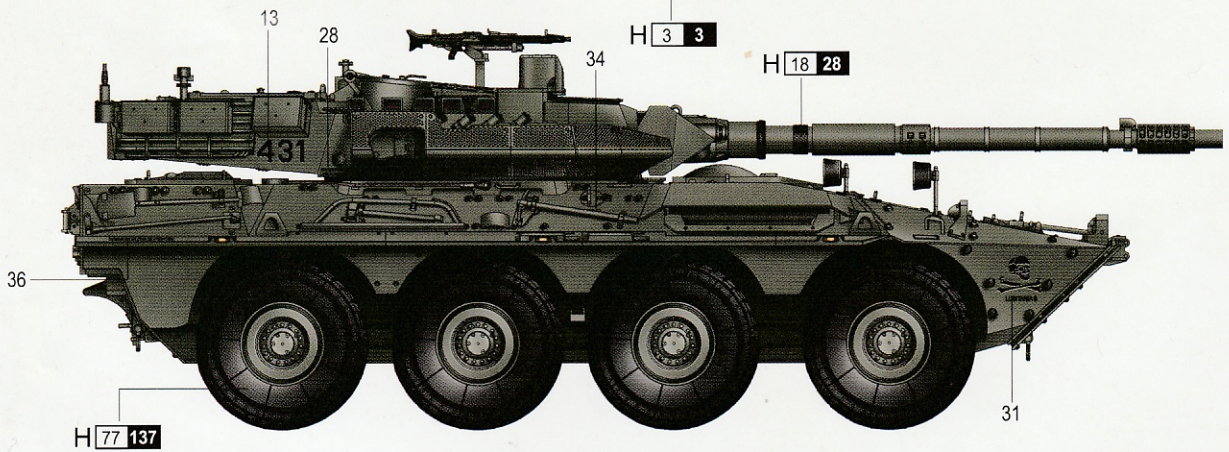
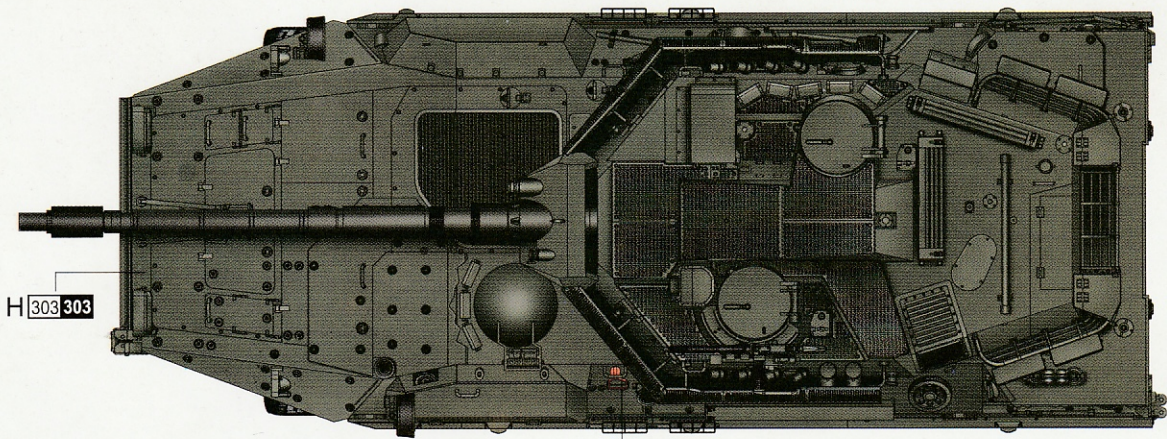
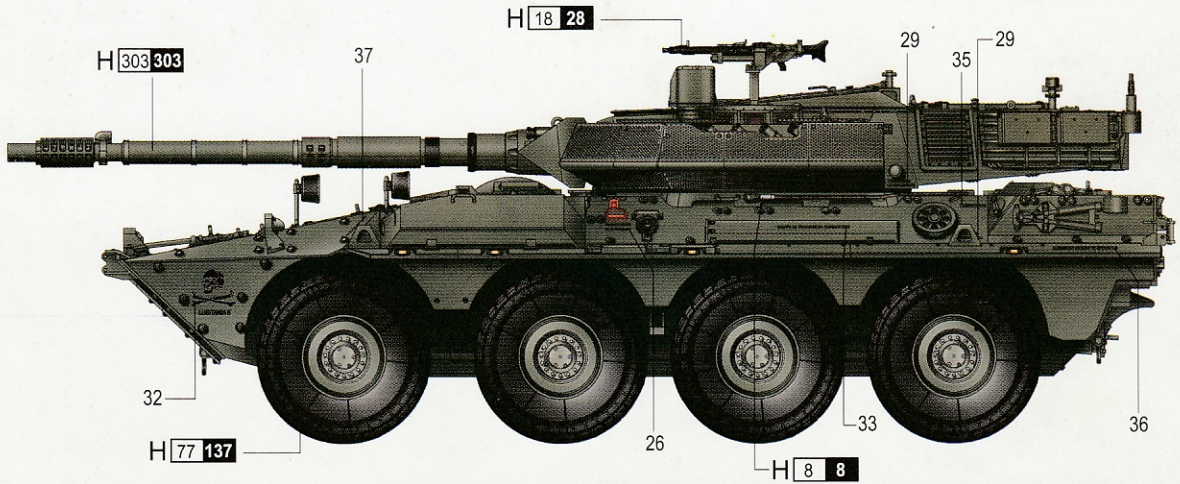
19 炮塔安装
Turret installation



涂装同标贴指示

Painting & Marking guide

Color	Mr.Hobby	Vallejo	Model Master	Tamiya	Humbrol
Silver 银色	H 8 8	997	1546	X11	11
Metal Black 黑铁色	H 18 28	864	1402	-	-
Red 红色	H 3 3	908	1503	X7	19
Tire Black 胎黑色	H 77 137	-	-	-	-
Light Green 黄绿色	H 303 303	-	1713	XF20	117



30 3(OPTION1 or 4,5)
23(OPTION21 or 24,25)

H □ AQUEOUS HOBBY COLOR ■ Mr. COLOR