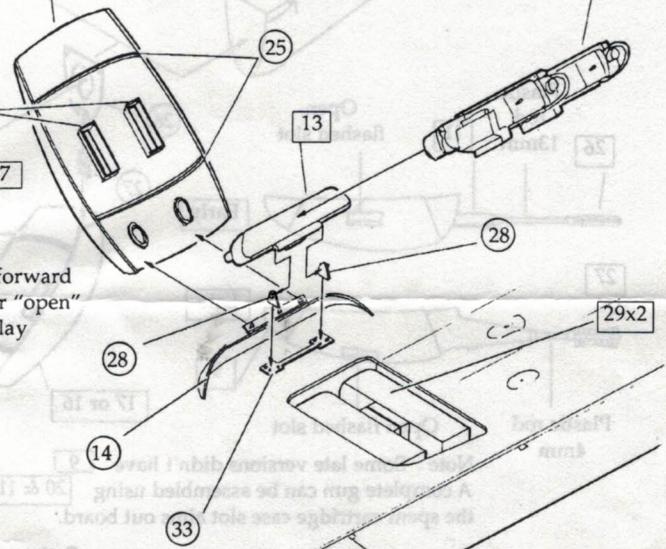


7 MG 151/20 Twin Packs (Starboard view)

Open flashed over holes in 7

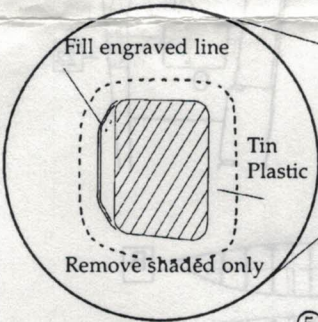
Trim off forward portion for "open" display



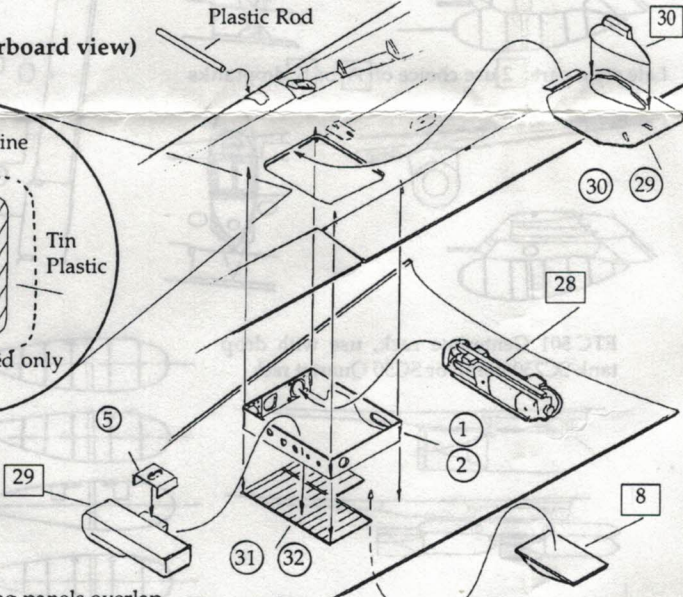
Note:

Cannon Barrels are removed prior to lowering gun cover. If displaying closed, glue into position and add two lengths of plastic rod for gunbarrels (13mm)

Cannon Bay (Starboard view)



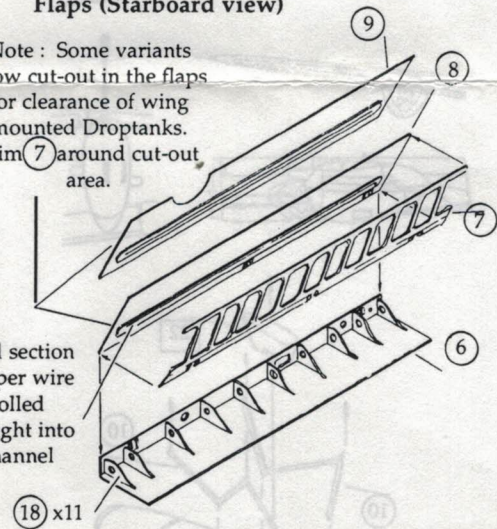
Plastic Rod



Flaps (Starboard view)

Note: Some variants show cut-out in the flaps for clearance of wing mounted Droptanks. Trim 7 around cut-out area.

Add section copper wire rolled straight into channel

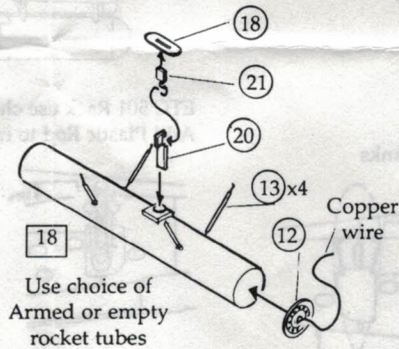
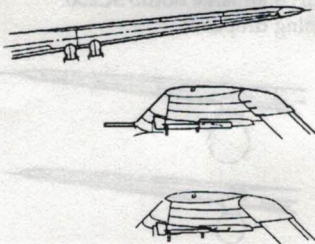
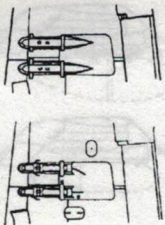


Note: The underwing panels overlap the opening on one side

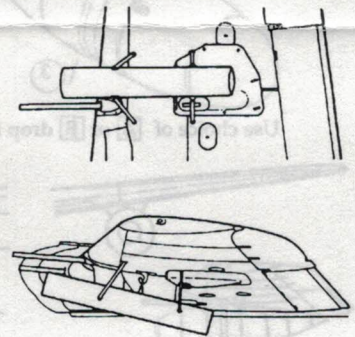
Photo-etch parts:

- (30) (2) (32) Port
- (29) (1) (31) Starboard

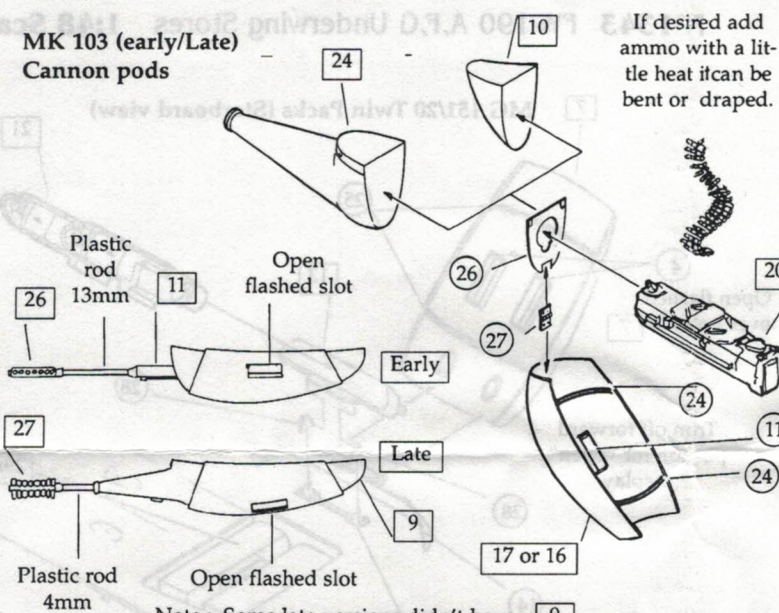
Use (4) or (5) with SC50



Use choice of Armed or empty rocket tubes



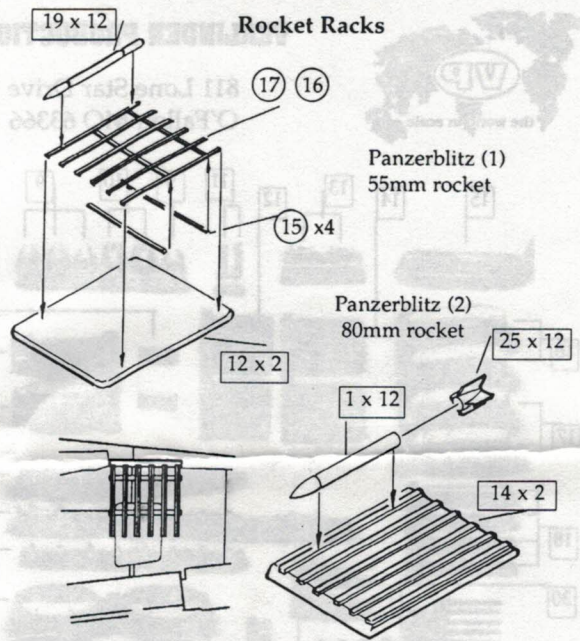
**MK 103 (early/Late)
Cannon pods**



Note: Some late versions didn't have 9
A complete gun can be assembled using 20 & 11 & 26 or 27

If desired add ammo with a little heat it can be bent or draped.

Rocket Racks

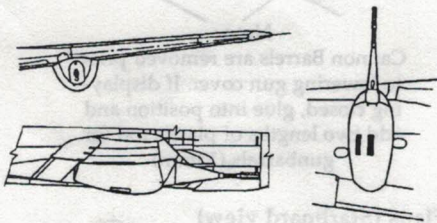


Panzerblitz (1)
55mm rocket

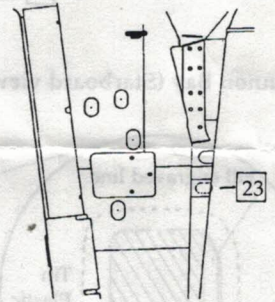
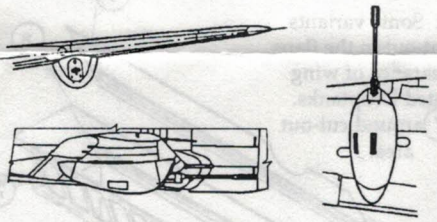
Panzerblitz (2)
80mm rocket

Use 23 robot camera

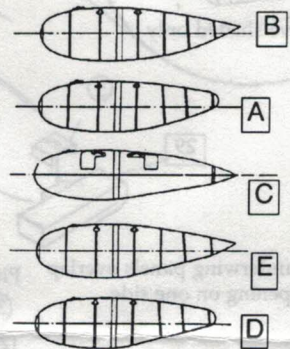
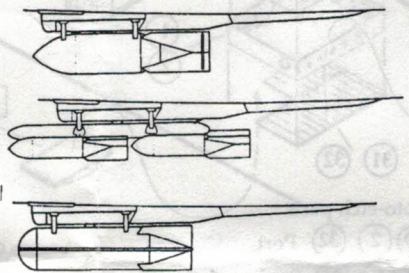
Early style parts 3 use choice of A or B droptanks



Late style parts 2 use choice of A or B droptanks



ETC 501 Centerline rack, use with drop tank SC250 bomb or SC50 Quartet rack



ETC 501 Rack use choice of A or B or large bomb SC250. Add Plastic Rod to rack when using droptank.

Use choice of A or B drop tanks

