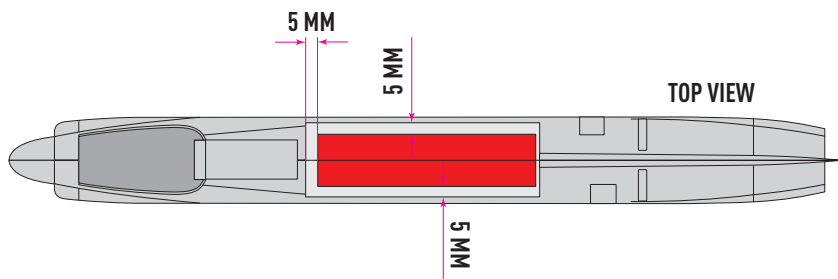
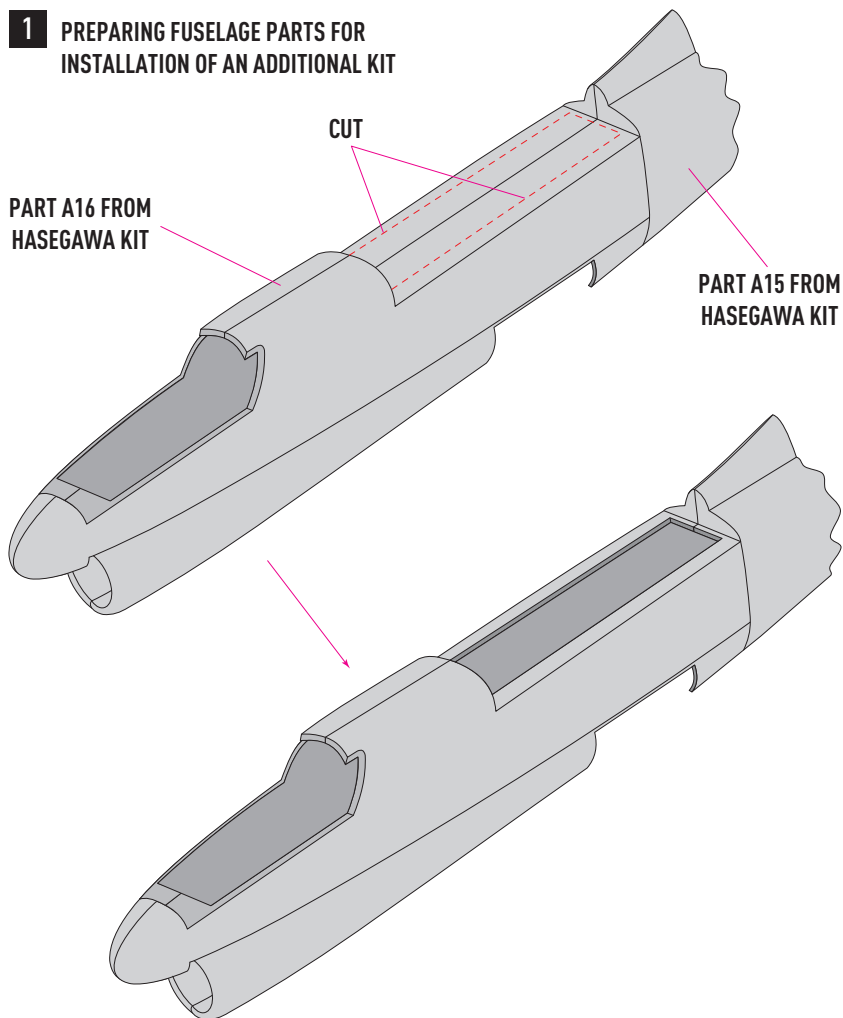


**1** PREPARING FUSELAGE PARTS FOR  
INSTALLATION OF AN ADDITIONAL KIT

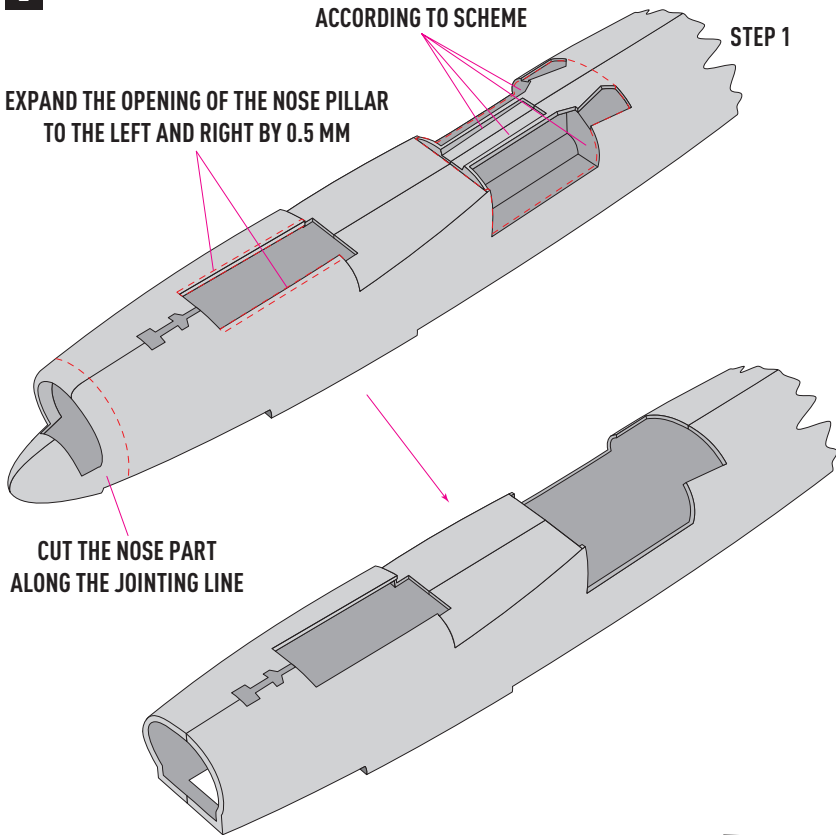


2

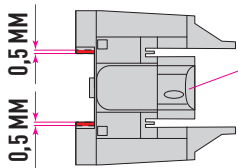
CUT OUT FRAGMENTS OF STERN NICHES  
ACCORDING TO SCHEME

STEP 1

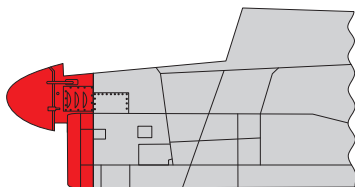
EXPAND THE OPENING OF THE NOSE PILLAR  
TO THE LEFT AND RIGHT BY 0.5 MM



CUT THE NOSE PART  
ALONG THE JOINTING LINE



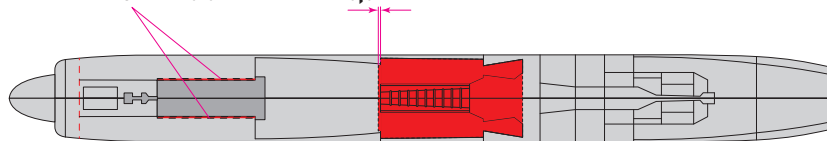
PART A19 FROM  
HASEGAWA KIT



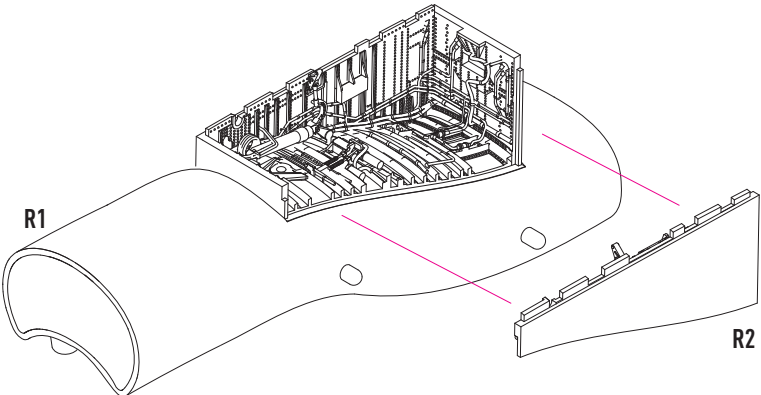
CUT THE NOSE PART  
ALONG THE JOINTING LINE

WIDEN THE OPENING TO THE  
LEFT AND RIGHT BY 0.5 MM

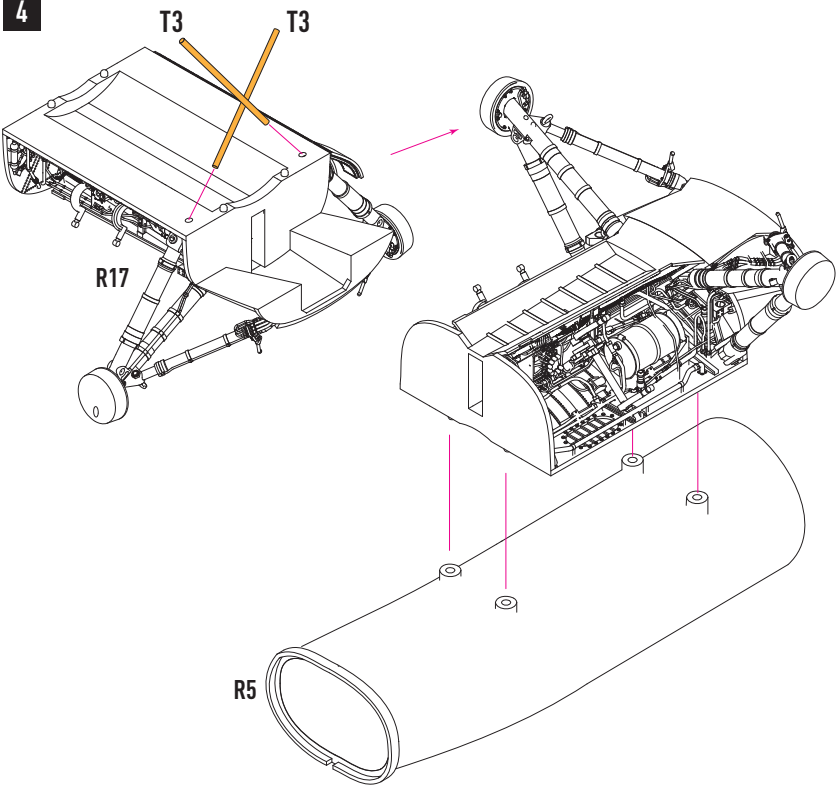
0,8 MM



3

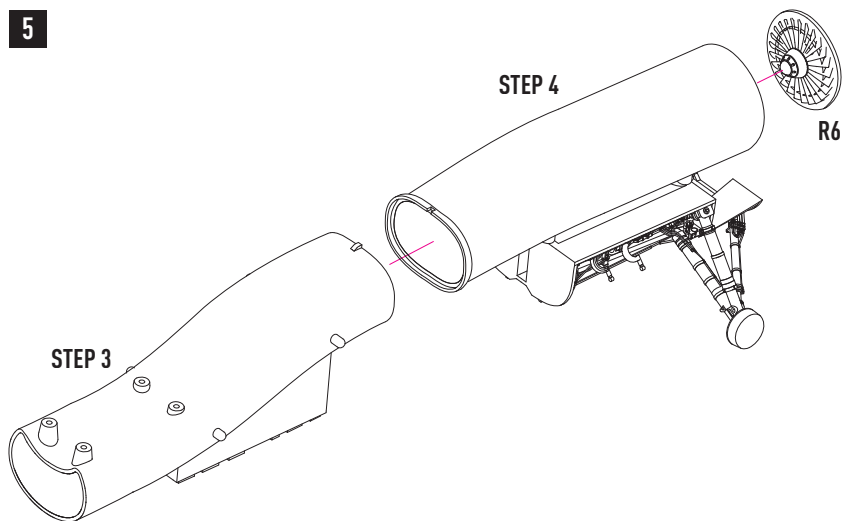


4

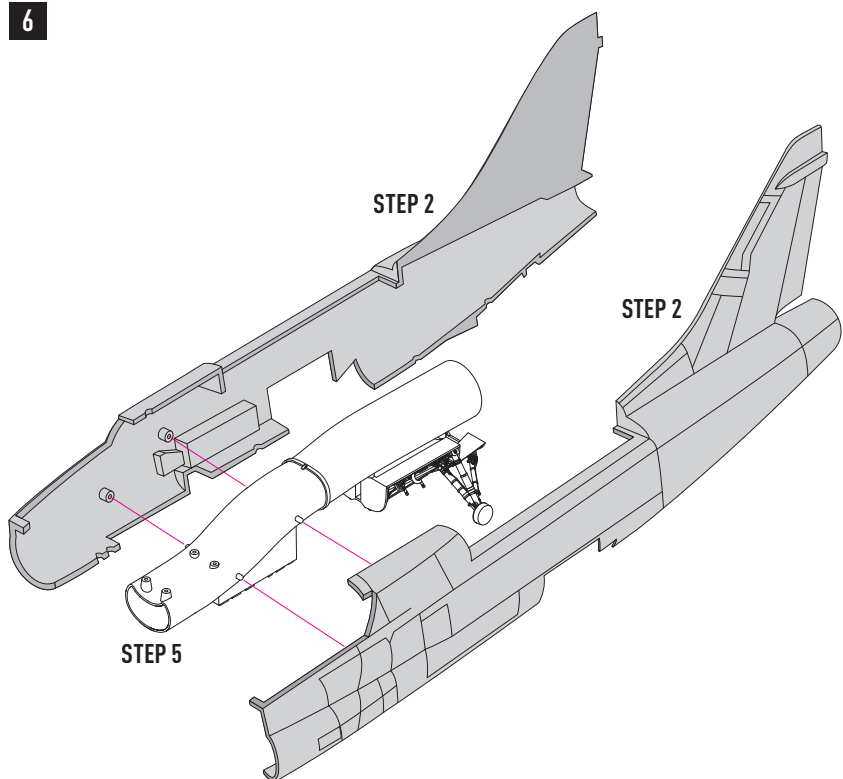




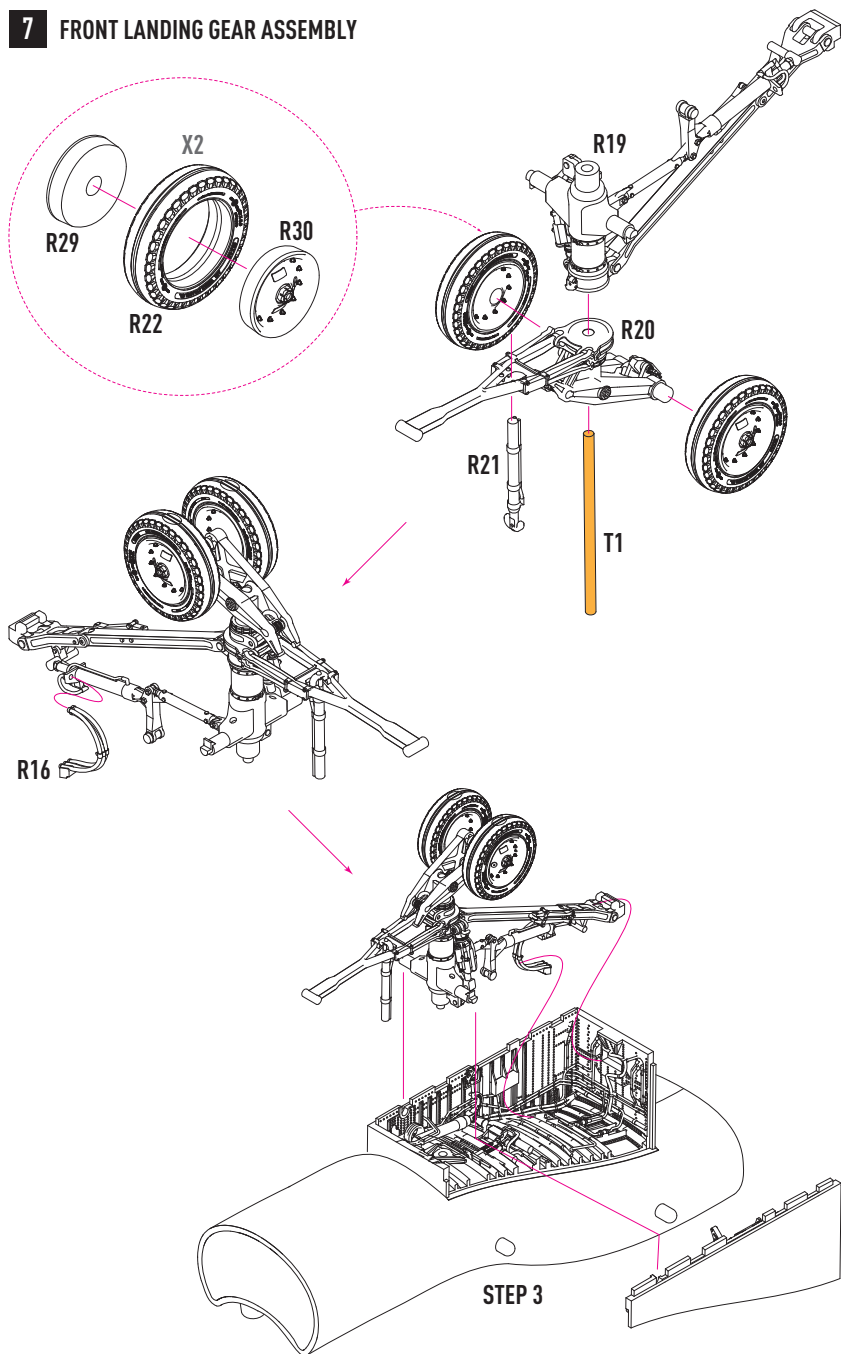
5

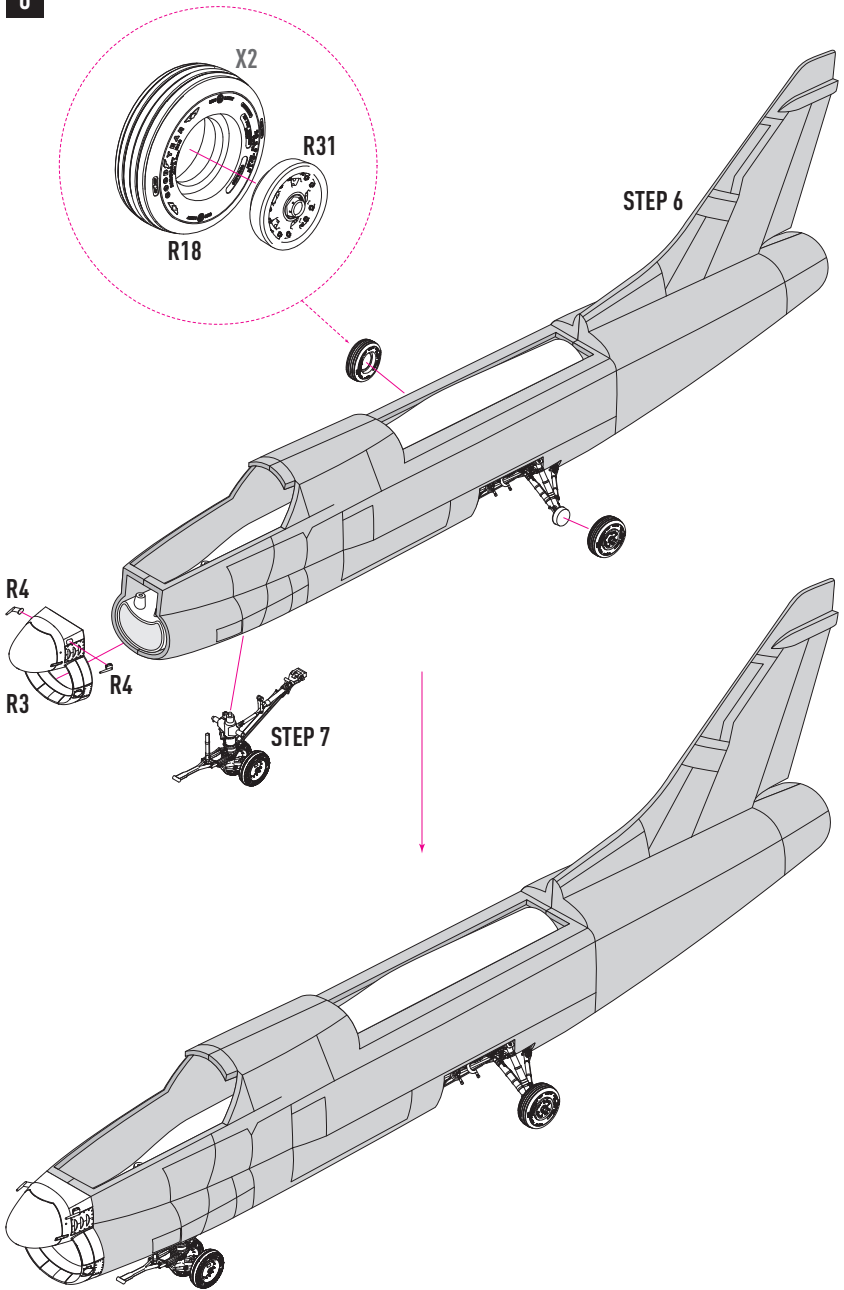


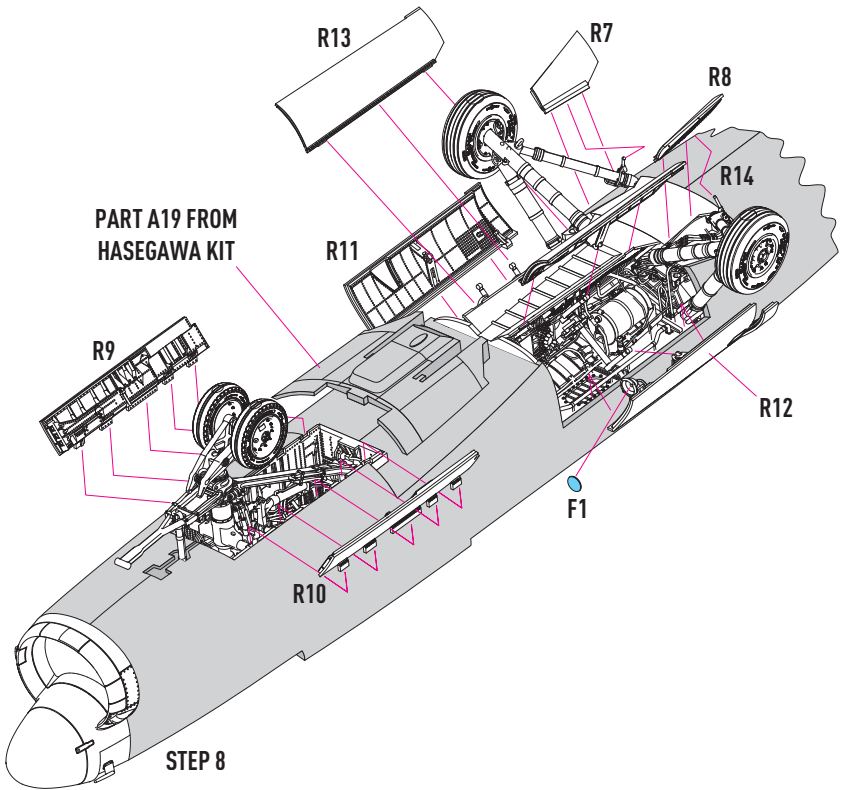
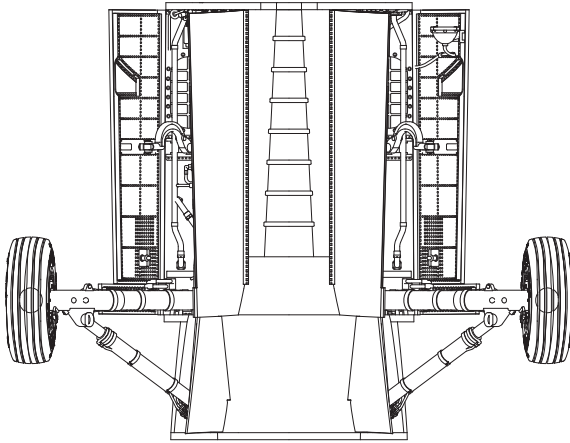
6

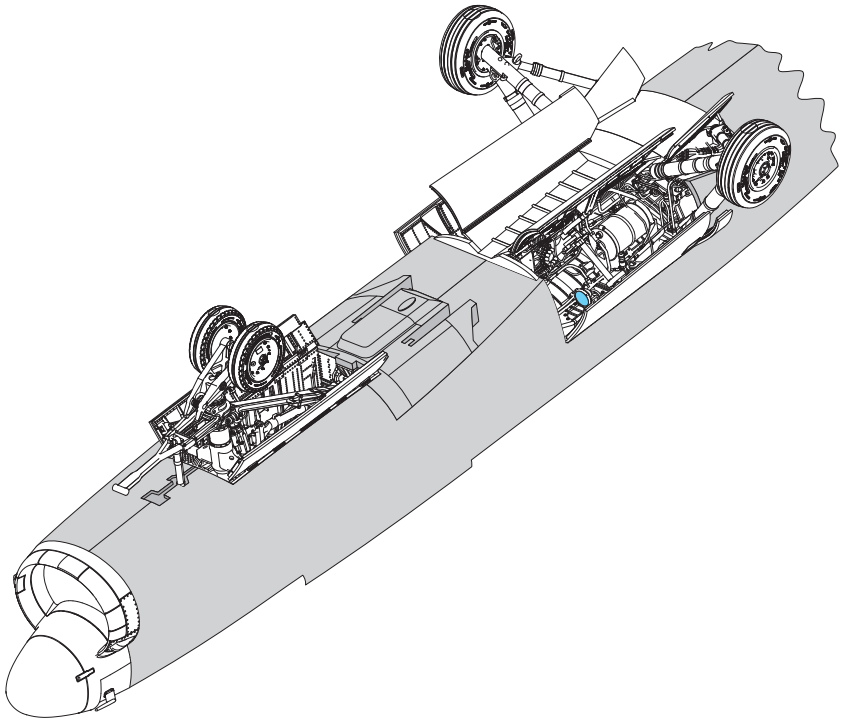
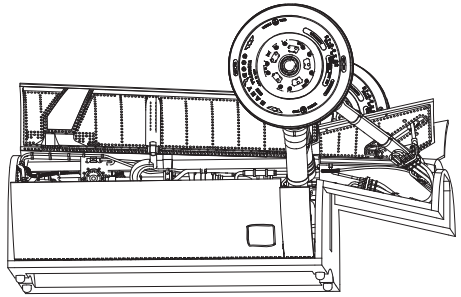
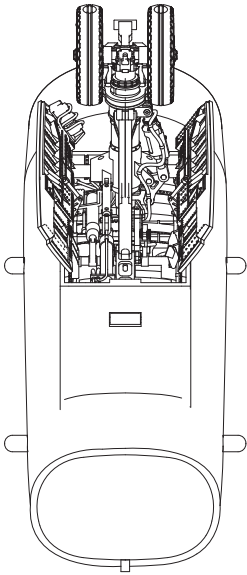


## 7 FRONT LANDING GEAR ASSEMBLY

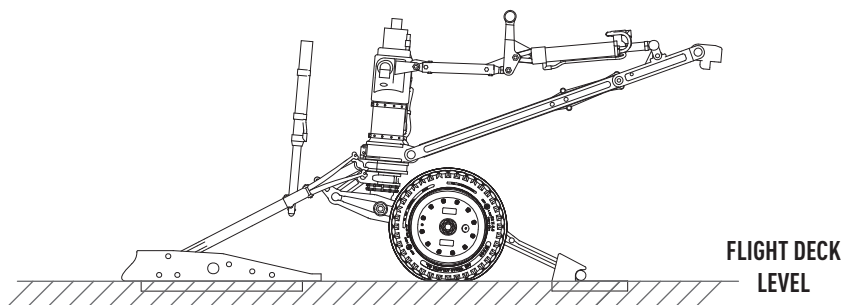
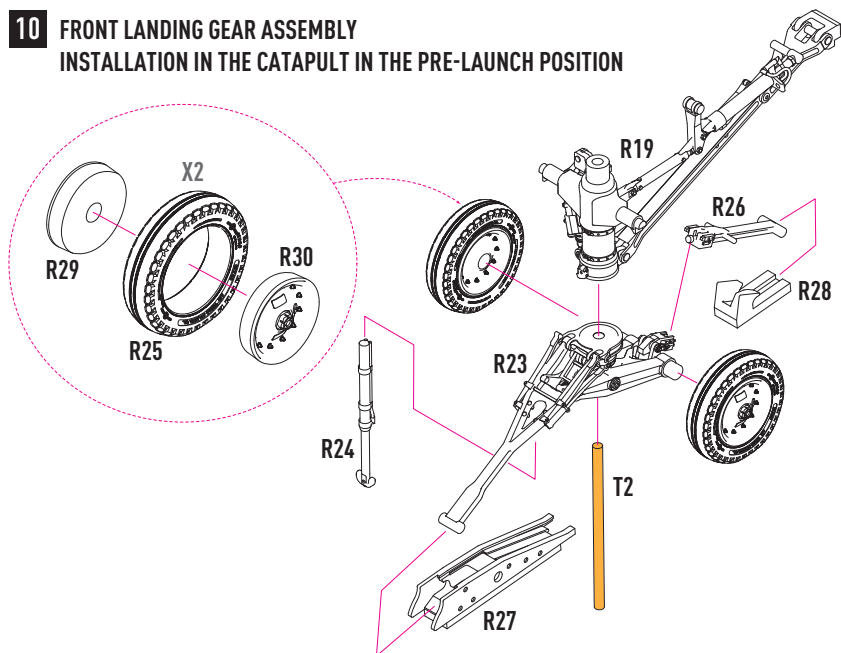




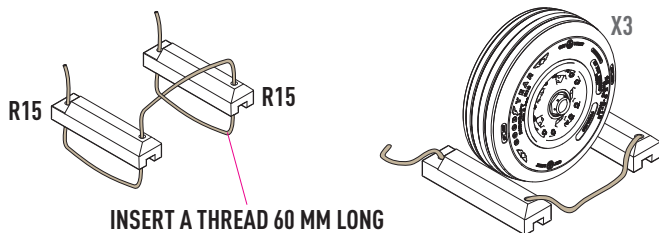




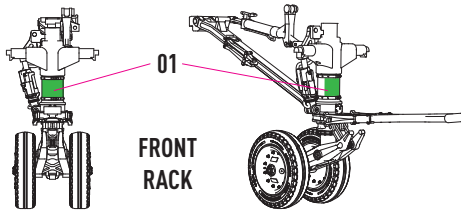
# 10 FRONT LANDING GEAR ASSEMBLY INSTALLATION IN THE CATAPULT IN THE PRE-LAUNCH POSITION



## ASSEMBLY AND INSTALLATION OF PARKING BLOCKS



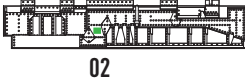
**DECAL  
INSTRUCTION**



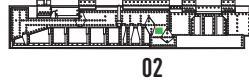
**FRONT  
RACK**

**FRONT RACK DOORS**

**LEFT SIDE**



**02**

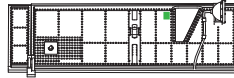
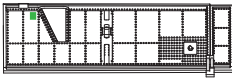


**02**

**RIGHT SIDE**

**03 UPPER DOORS OF THE REAR RACK 03**

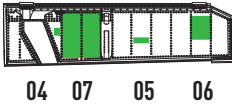
**LEFT SIDE**



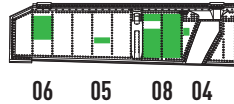
**RIGHT SIDE**

**LOWER DOORS OF THE REAR RACK**

**LEFT SIDE**

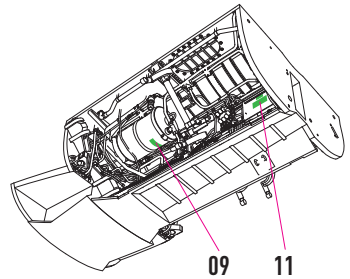
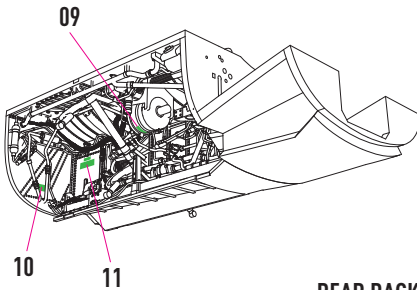


**04 07 05 06**

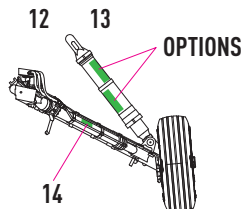
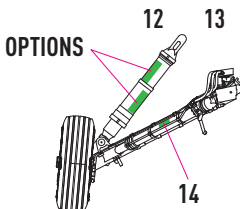


**06 05 08 04**

**RIGHT SIDE**



**REAR RACK REAR VIEW**



YOU CAN FIND INSTRUCTIONS  
IN PDF FORMAT ON THE WEBSITE

**RESKIT-MODELS.COM**

General Issues: [info@reskit.com.ua](mailto:info@reskit.com.ua)

Wholesales: [sales@reskit.com.ua](mailto:sales@reskit.com.ua)

Claim Resolution: [claims@reskit.com.ua](mailto:claims@reskit.com.ua)