

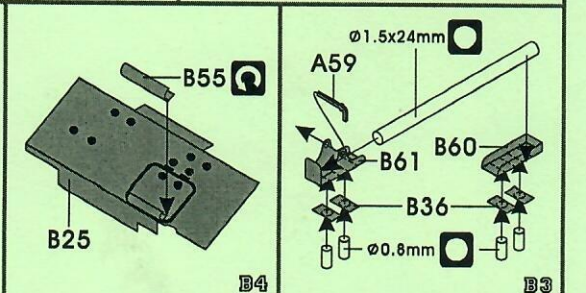
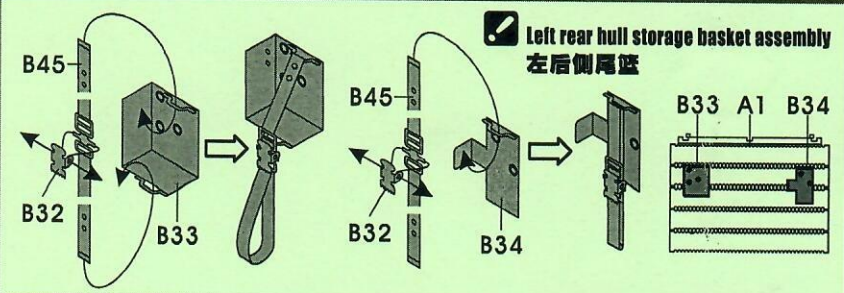
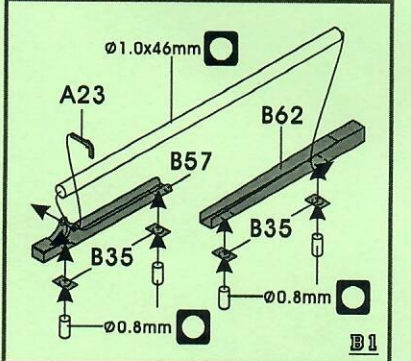
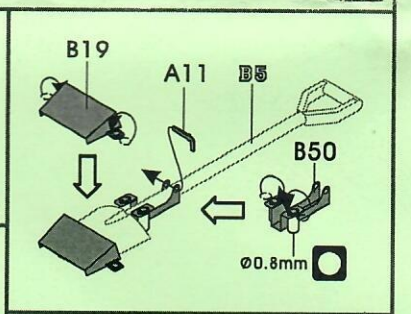
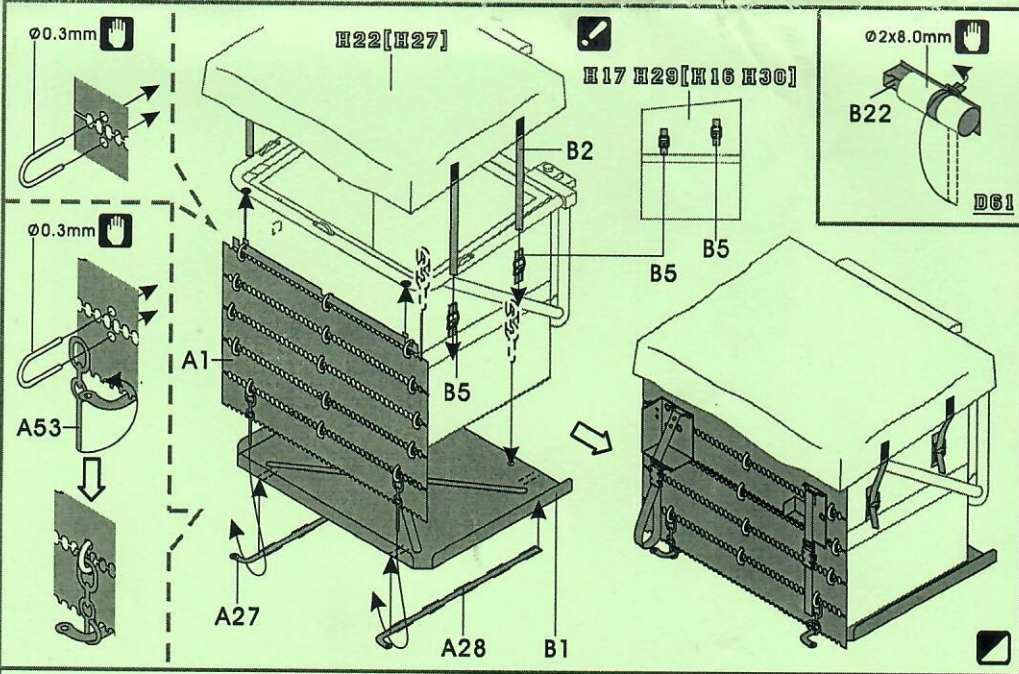
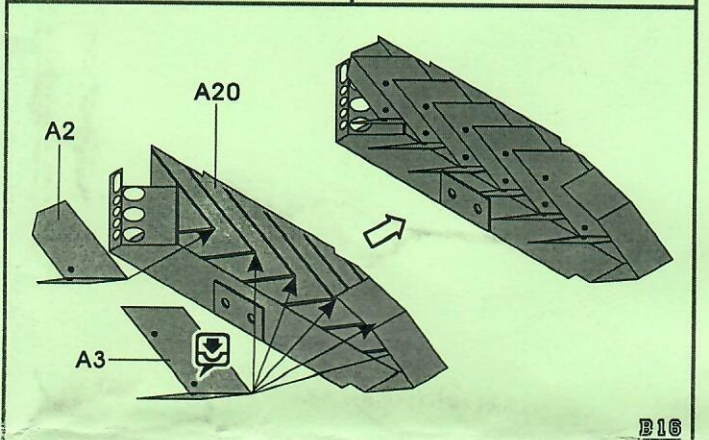
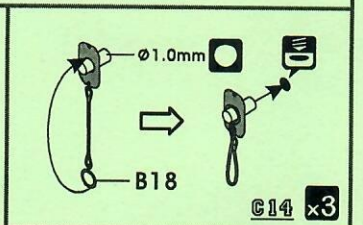
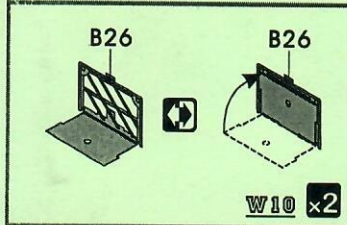
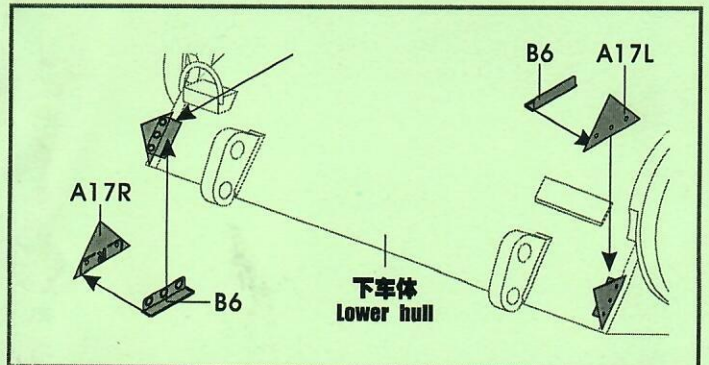
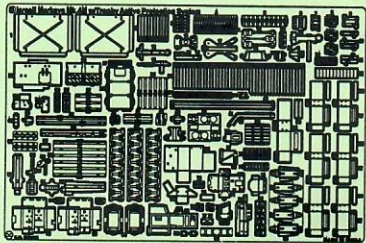
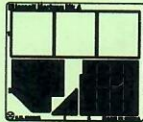
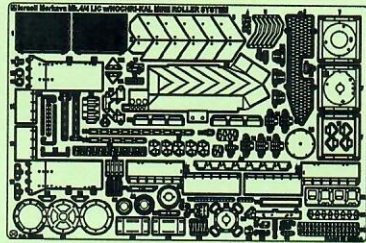
## Israel Merkava Mk.4/4 LIC MBT Basic

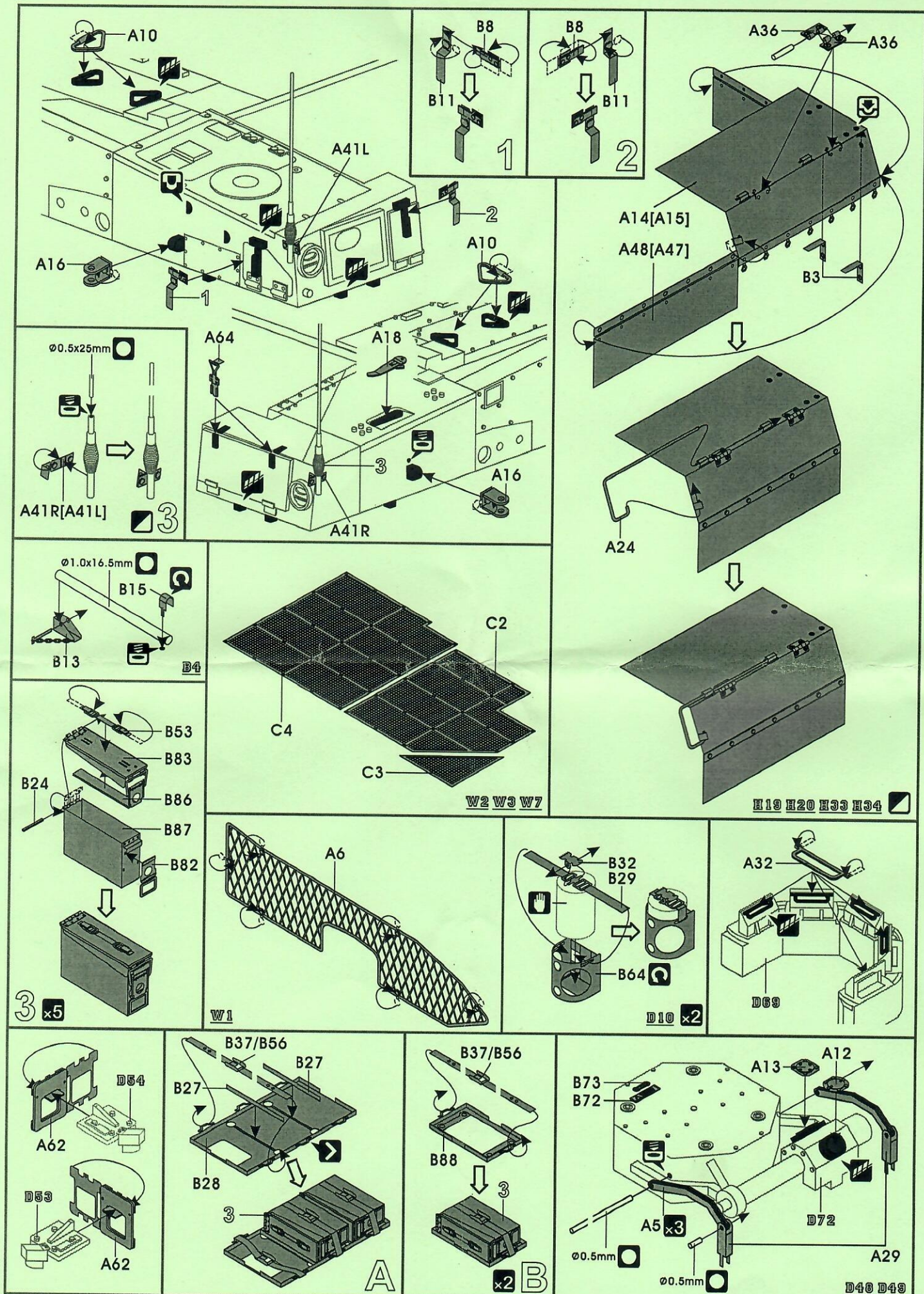
### 以色列梅卡瓦 Mk.4/4 LIC 主战坦克基本改造件

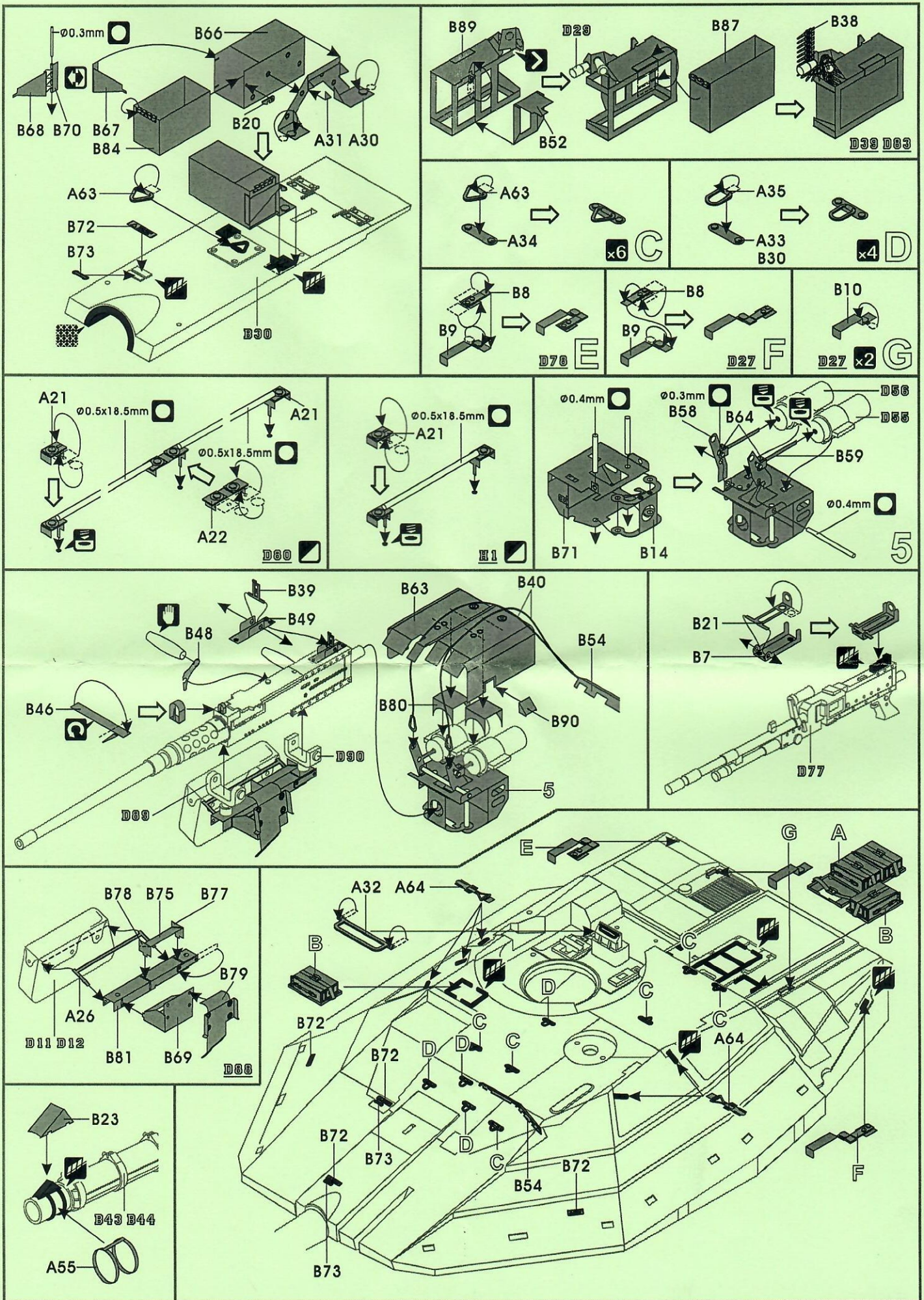
For Meng Kit

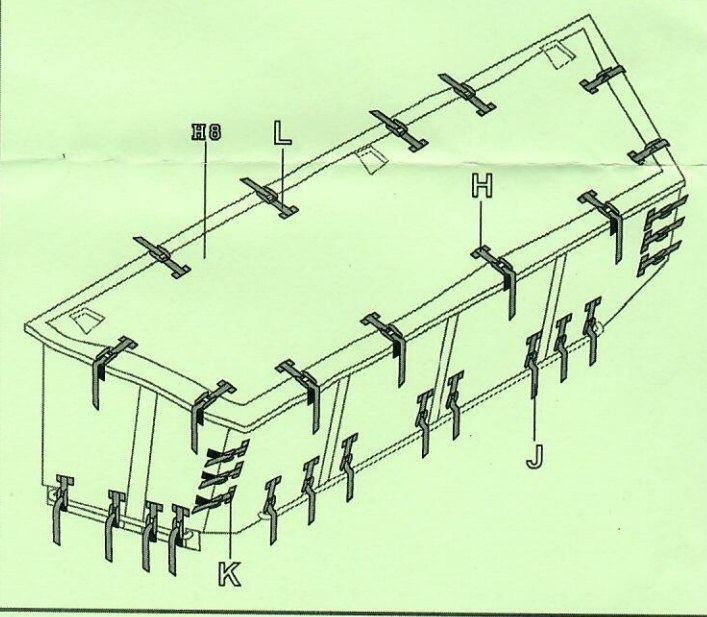
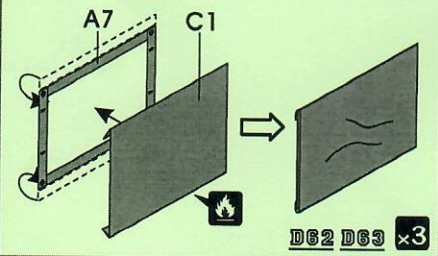
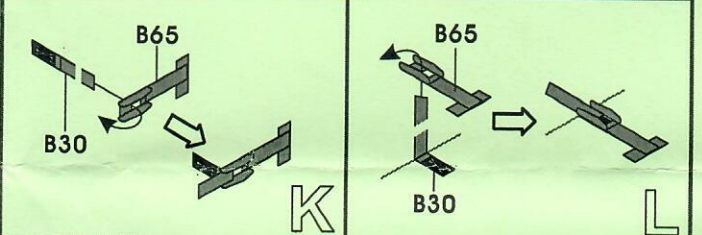
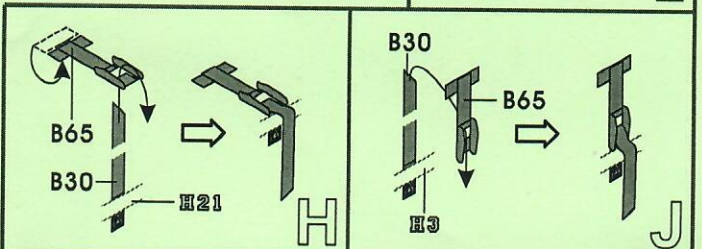
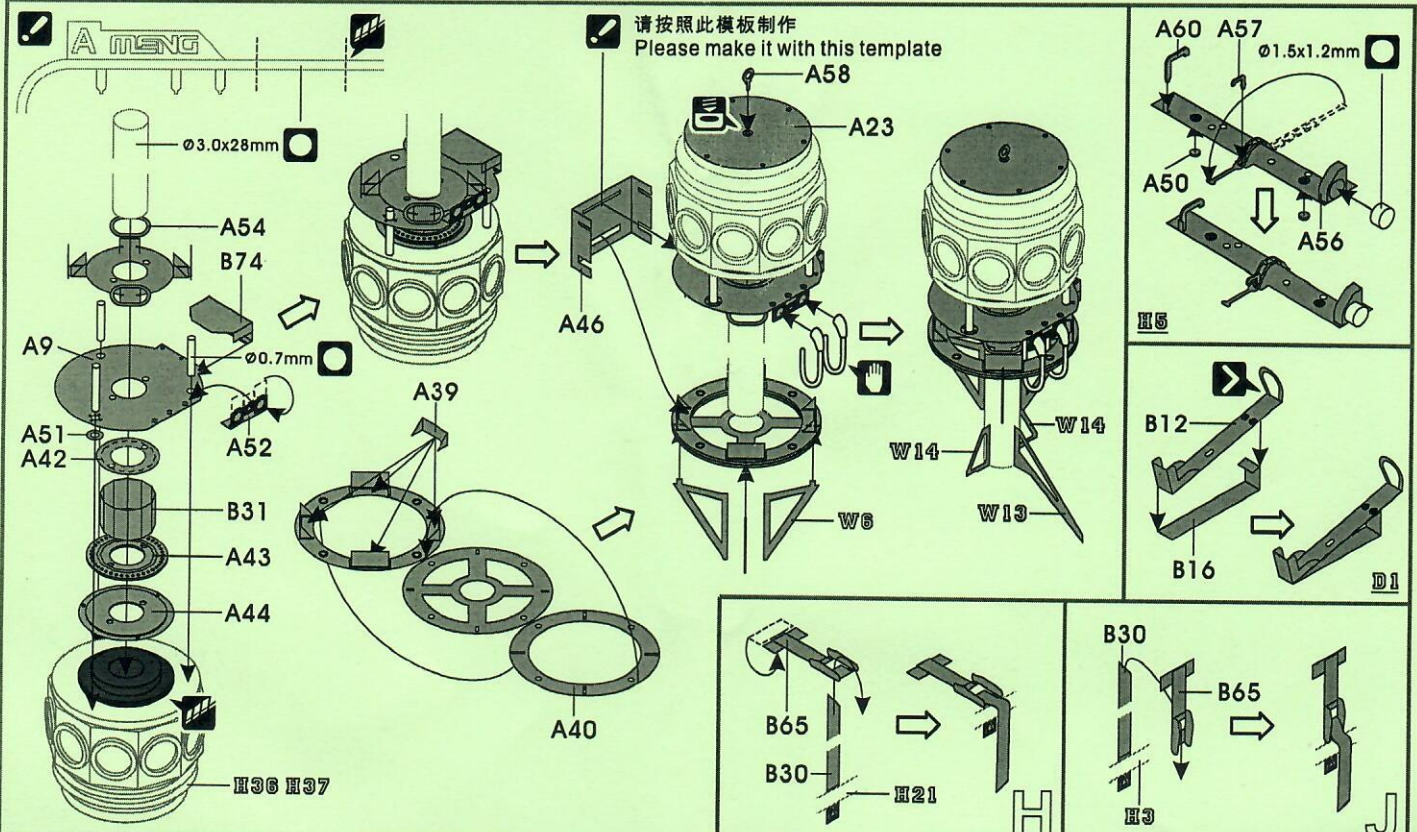
- |                  |                   |                    |                                 |                        |                   |
|------------------|-------------------|--------------------|---------------------------------|------------------------|-------------------|
| 弯曲<br>CRIMP      | 弯折<br>BEND        | 切除<br>REMOVE       | 开孔<br>OPEN HOLE                 | 焊接<br>SOLDER           | 退火<br>ANNEAL      |
| 填补<br>FILL       | 冲压<br>PRESS       | 打磨<br>GRIND        | 对侧相同<br>REPEAT ON OPPOSITE SIDE | 选择安装<br>OPTIONAL       | 金属件<br>METAL PART |
| 注意<br>BE CAREFUL | 制作2组<br>MAKE 2pcs | 铜管制作<br>BRASS TUBE | 胶棒制作<br>ABS ROD                 | 自制<br>MAKE IT YOURSELF | 树脂件<br>RESIN PART |

A1 改造零件编号 NUMBER OF PE PART  
 B2 原零件编号 NUMBER OF KIT PART  
 C3 被替换的原零件编号 NUMBER OF REPLACED KIT PART









ROCOMMEND

<b>E35-300</b>	<b>Israel Merkava Mk.4/4 LIC MBT Side Skirts</b>	<b>For Meng Kit</b>
<b>EA35-131</b>	<b>Israel Merkava Mk.4/4 LIC MBT Chains Set</b>	<b>For Meng Kit</b>