

**AIRWAVES**  
**B-24 LIBERATOR**

FOR COLLECTORS OF MODEL PLANE  
AND FOR CHILDREN

This model set is manufactured from photo etched brass and is for use on the Academy model kit.

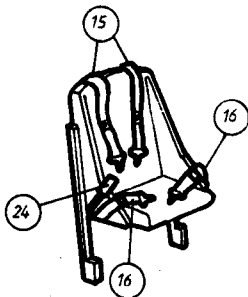
Prior to using fret wash in liquid detergent and rinse in clean water to deflux and clean parts. To separate parts, support fret on a firm surface such as a ceramic tile and cut as near to the part as possible using a new sharp blade. Tag seats can be cleaned by holding part in pliers and using a fine file. To fold part, support evenly up to line of fold and bend in one go using a blade for leverage. For assembly of parts use superglue or five minute epoxy. Prior to painting, prime parts using matt enamel or self etching primer. Position of parts in diagrams is for guidance only for final position and coloring consult reference material details of which are elsewhere on this sheet.

Airwaves are manufactured and distributed by E.D. Models, 64 Stratford Road, Shirley, Solihull, West Midlands B90 3LP, England. Telephone: 021 744 7488 Fax: 021 733 2591

Note that only the best materials are used in the manufacture of Airwaves sets and that any waste is safely disposed of protecting the environment.

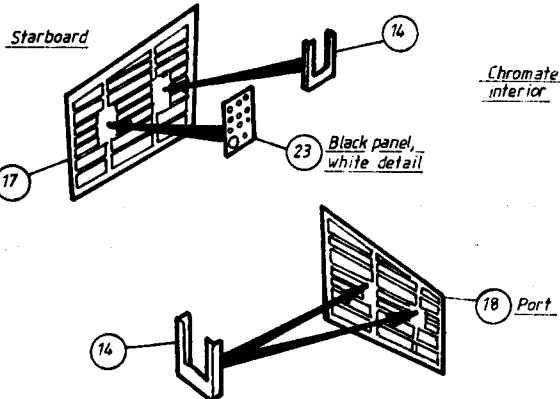
For further helpful hints to using etched brass and for full details of the extensive Airwaves range including tools and templates get a copy of the latest Airwaves illustrated catalogue.

**1 HARNESS**



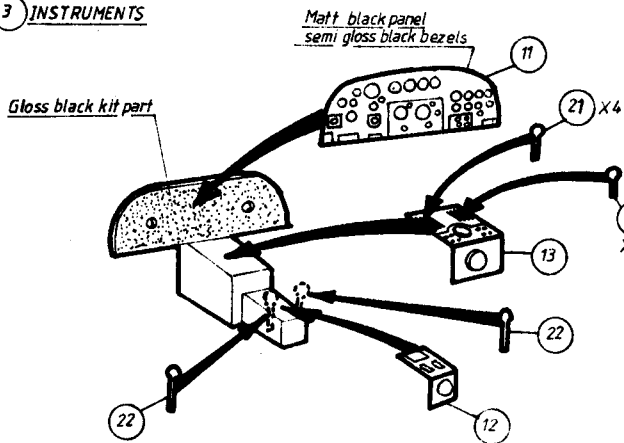
*Chromate green seats,  
olive drab belts, silver buckles,  
chromate green lever, black handle*

**2 COCKPIT SIDE PANELS**

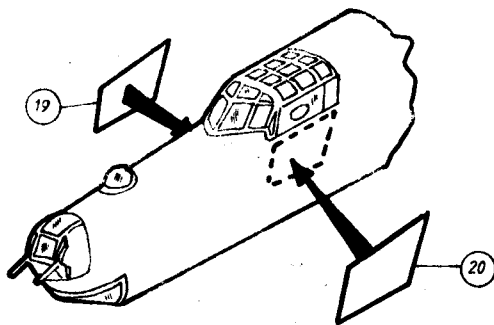


*Chromate green interior*

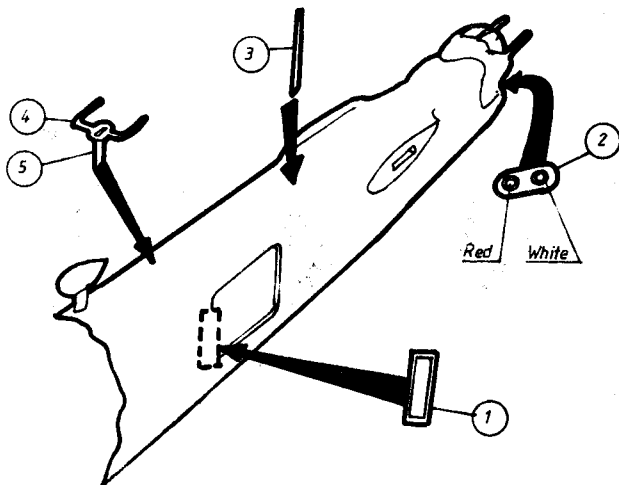
**3 INSTRUMENTS**



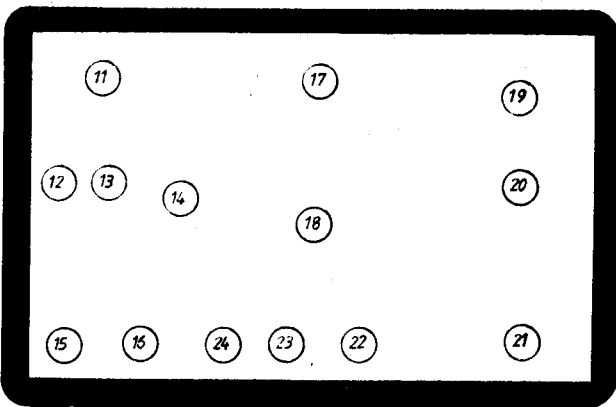
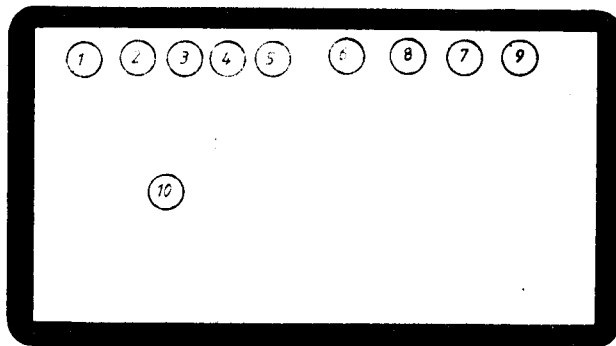
**4 COCKPIT ARMOUR**



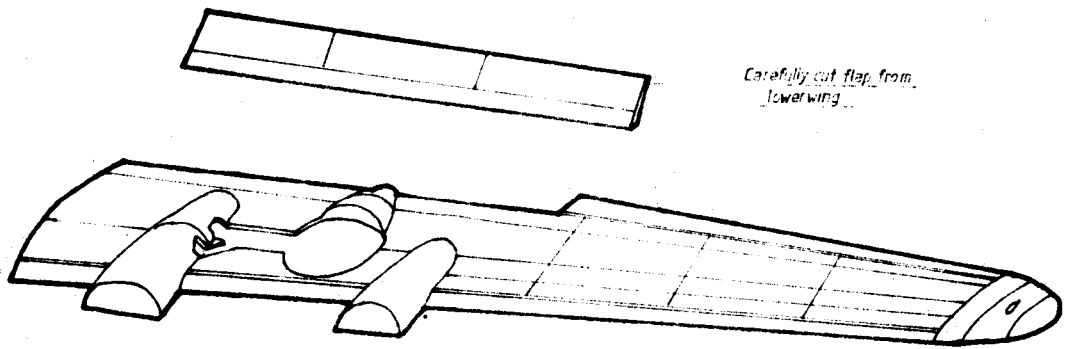
**5 RADIO MASTS AND LIGHTS**



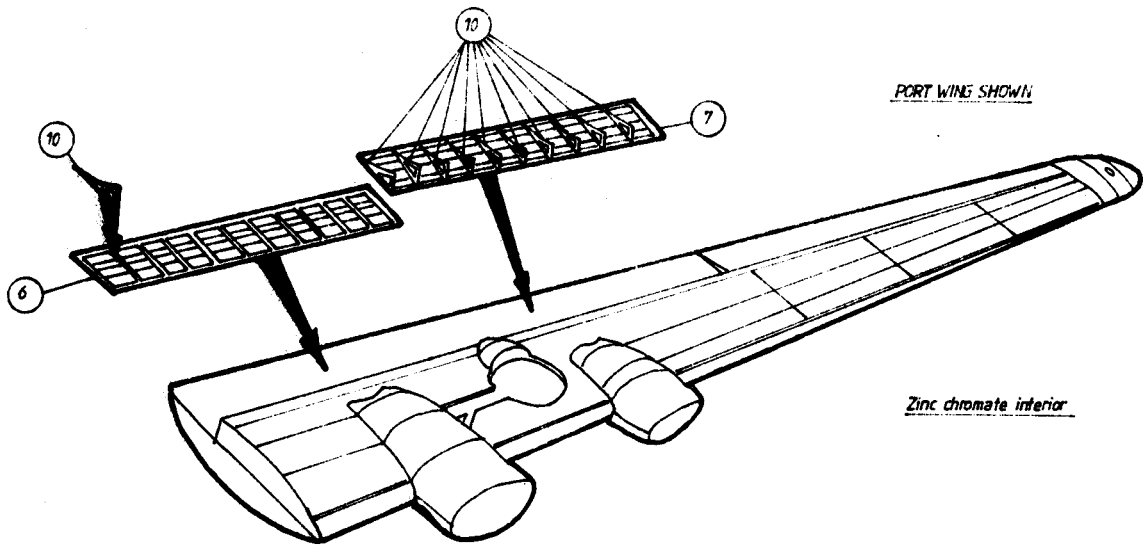
**6 COMPONENT FRAME LAYOUTS**



7 FLAP REMOVAL



8 FLAP DETAIL



9 FLAP ASSEMBLY

