



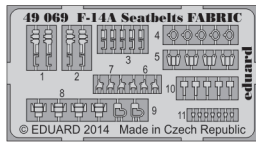
F-14A Seatbelts FABRIC

1/48 scale detail set for kit • sada detailů pro model 1/48

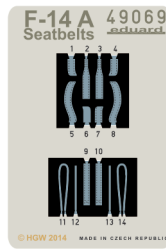
eduard

49 069

PE - PHOTOETCHED PART



TP - TEXTILE PART



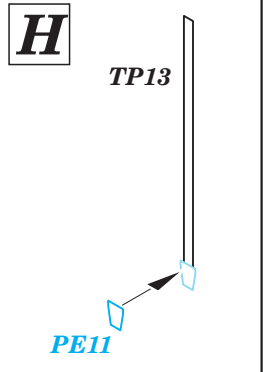
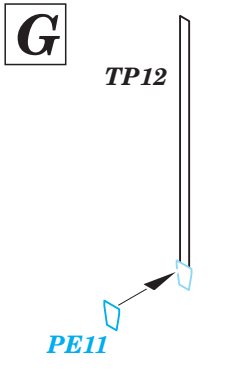
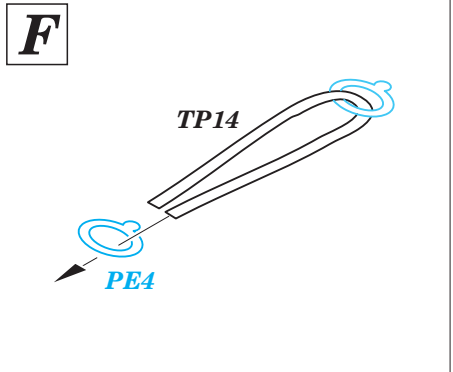
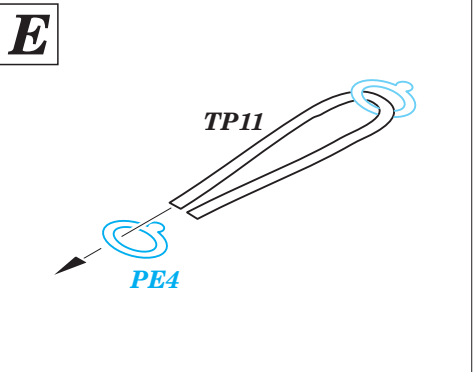
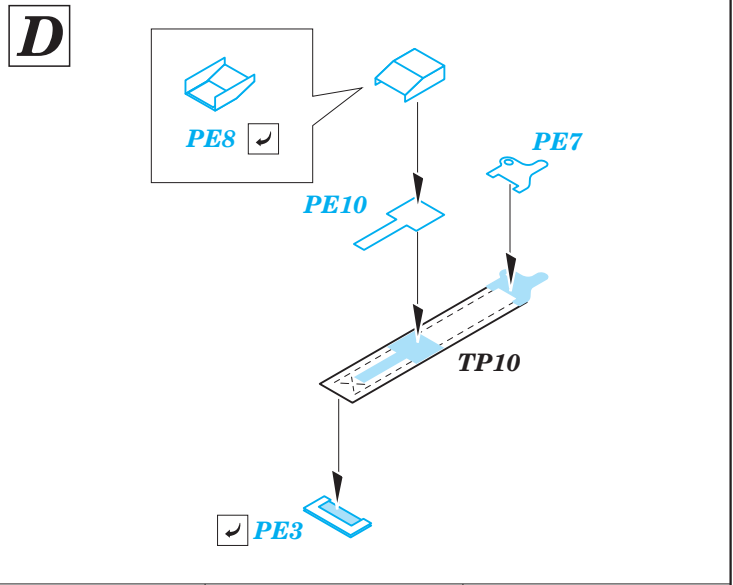
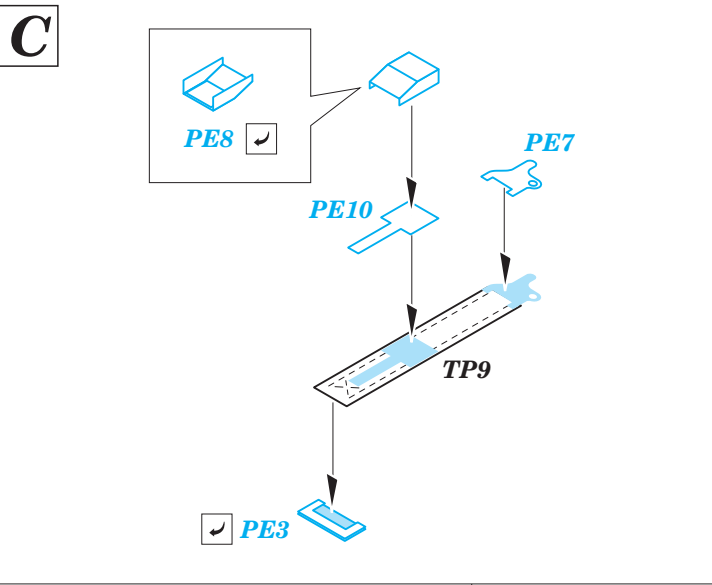
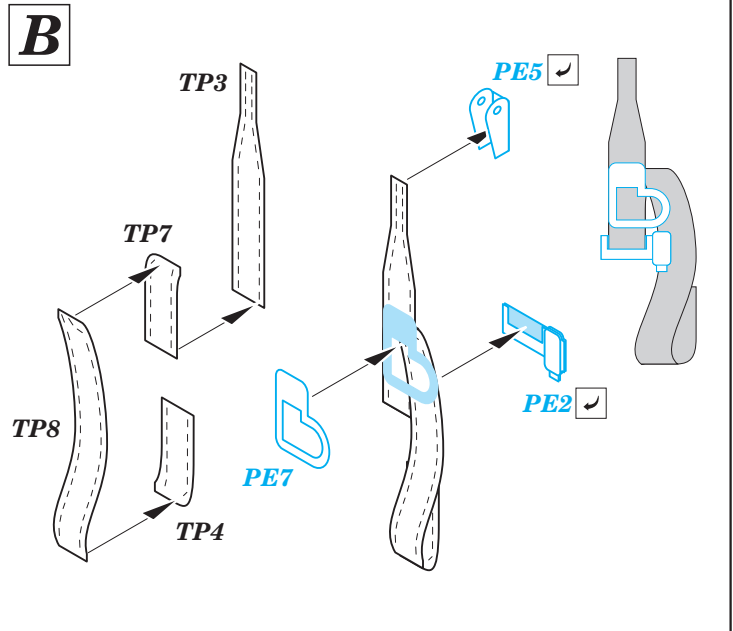
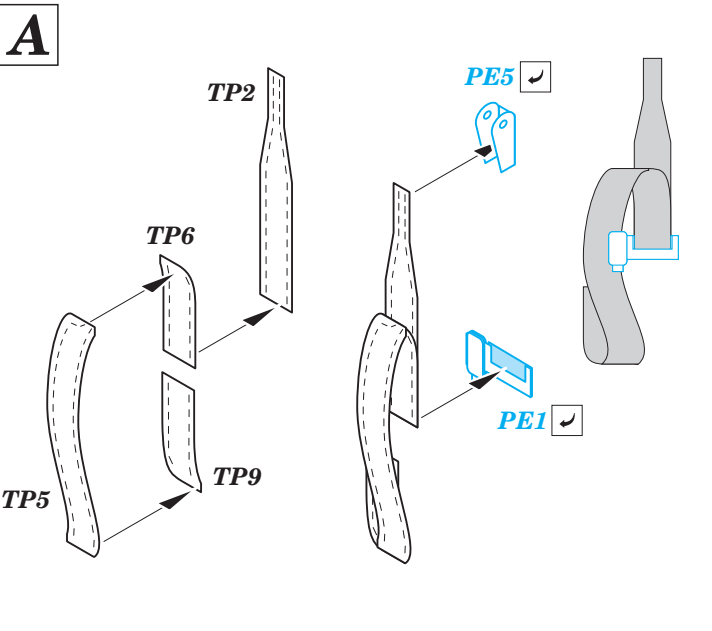
- ★ APPLY EXPRESS MASK AND PAINT BEFORE GLUING
POUŽIT EXPRESS MASK NABARVIT PŘED SLEPENÍM
- ☉ SYMMETRICAL ASSEMBLY
SYMETRICKÁ MONTÁŽ
- ☐ REMOVE
ODSTRANIT
- ☒ GRIND
OBROUSIT
- ☑ DRILL HOLE
VRTAT OTVOR
- 1 COLORED ETCHED PARTS
LEPTANÉ BAREVNÉ DÍLY
- ↪ BEND
OHNOUT
- ❓ OPTION
VOLBA
- Ⓜ REPLACE
NAHRADIT

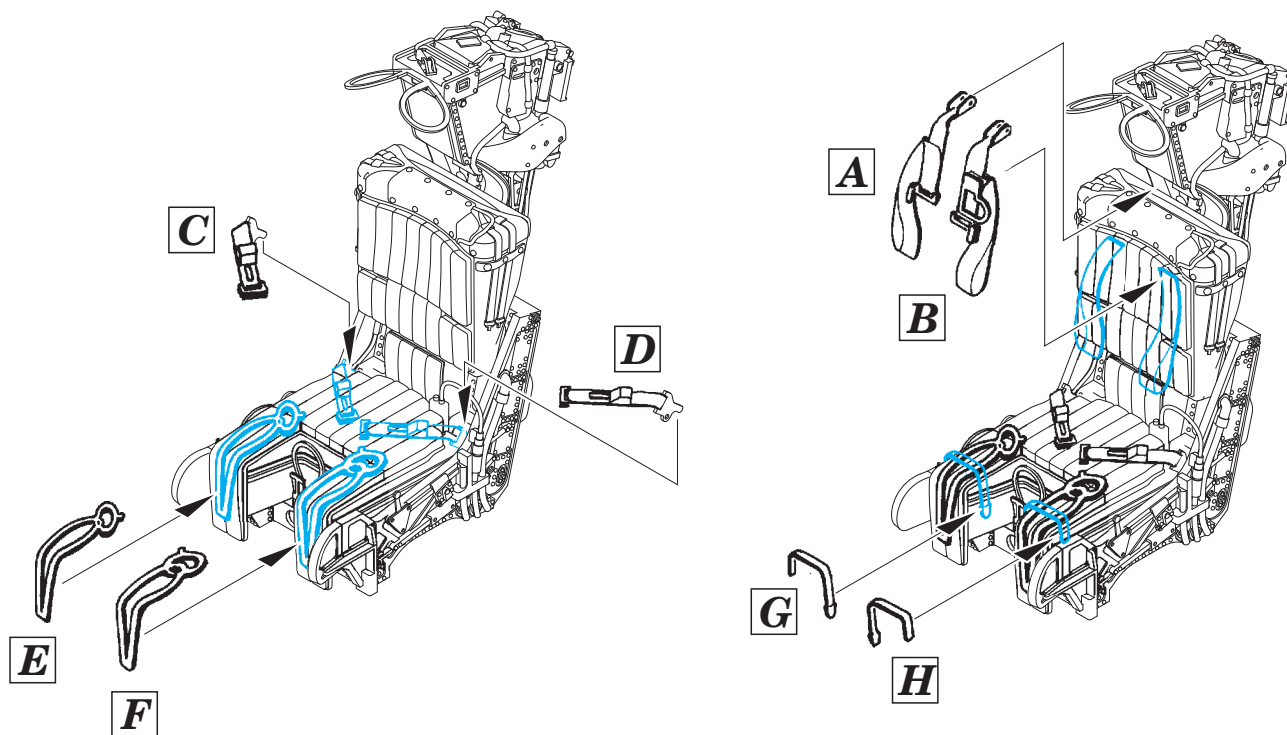
■ ORIGINAL KIT PARTS
PŮVODNÍ DÍLY STAVEBNICE

■ PHOTO-ETCHED PARTS
LEPTANÉ DÍLY

■ PARTS TO BE REMOVED
DÍLY K ODSTRANĚNÍ

■ FILL
TMELIT





1. Take the precut textile part out of the sheet.
2. Remove supporting paper.
3. Crumple the belt into a little ball and nead it between the fingers.
4. Thread the belts through the buckles - use superglue.
5. Put the belts into the seat.
6. Spray by the glossy varnish.
7. Impregnate the belts with very diluted oil color (mix black and brown) - it will highlight the texture.
8. Spray by matt varnish.

After the varnish becomes dry it is possible to drybrush with light oil colour.