



F-14D

SUPER TOMCAT



1/48 UNASSEMBLED MODEL KIT

INSTRUCTIONS



F-14D SUPER TOMCAT

雄貓戰鬥機

The final variant of the Grumman F-14 was the F-14D "Super Tomcat". The F-14D variant was first delivered in 1991 where the original TF-30 engines were replaced with General Electric F110-400 engines, similar to those aboard the F-14B.

The F-14D also included updated digital avionics systems including a digital cockpit and replaced the AWG-9 with the newer AN/APG-71 radar. Other systems included the Airborne Self Protection Jammer (ASPJ), Joint Tactical Information Distribution System (JTIDS), SJU-17(V) Naval Aircrew Common Ejection Seats (NACES), and Infra-red search and track (IRST) situated in the chin pod.

The GE F110-400 engine provided increased thrust and additional endurance to extend range or to provide enhanced duration "On Station". The new engines also increased thrust and improved The Rate of Climb by 61%.

Although the F-14D was to be the definitive version of the Tomcat, not all fleet units received the D variant. In all, a total of 37 new aircraft were completed, and 18 F-14A models were upgraded to D-models. An upgrade to the F-14D's computer software allowed for AIM-120 AMRAAM missile capability but was later terminated leaving air-to-air missiles as the AIM-9 Sidewinder, AIM-54 Phoenix and AIM-7 Sparrow.

Starting in 2005, some F-14Ds received the ROVER III upgrade allowing eyes in the sky at home or in the Command Post.

The aircraft also proved an outstanding Strike Fighter employing a capability present from the initial design work, but rarely employed. At peak employment, thirty Navy squadrons Tomcats flew combat missions during the Gulf War and in missions over Iraq and Afghanistan from 2001 until the F-14's retirement in 2006.

As an air-to-ground platform, the Tomcat is capable of deploying an large array of air-to-ground ordnance (Mk.80 bombs, LGBs and JDAM) in various configurations, while simultaneously carrying the AIM-7, AIM-9 and AIM-54 air-to-air missiles. The F-14D also carries the LANTIRN targeting system that allows delivery of various laser-guided bombs for precision strikes in air-to-ground combat missions and for battle damage assessment. With its Fast Tactical Imagery (FTI) system the Tomcat can transmit and receive targeting/reconnaissance imagery in-flight to provide time sensitive strike capability. This F-14D is also capable of carrying the Tactical Air Reconnaissance Pod System (TARPS) providing in-theater tactical reconnaissance.

該機是由美國格魯曼公司研製的一款第三代雙發可變後掠翼重型戰鬥機。其D改型相較A型升級為F-110發動機使其擁有更高的推重比和更長的滯空時間，升級了航電系統並用更新的AN/APG-71雷達取代了AWG-9雷達，機鼻在保持優秀制空能力前提下F-14D升級了對地攻擊能力。該機可以掛載藍盾吊艙進行精確對地偵查/攻擊任務。

美海軍共裝備50餘架F-14D型戰鬥機。其中18架F-14A型升級為D型，剩餘則為新製造的戰鬥機。第1架F-14D於1990年2月交付，全部配備了Tape115B電腦軟體。具有用常規炸彈，衛星制導炸彈，鐳射制導炸彈執行對地攻擊任務的能力，並在海灣戰爭中發揮重要作用。

F-14戰鬥機於1970年12月21日原型機首飛。在2006年9月22日，F-14戰鬥機正式退役。除伊朗擁有少量可用的雄貓外，該戰機已從美軍全部退役。但因其擁有鮮明的時代特徵和不俗的戰力，至今仍是眾多軍事愛好者津津樂道的話題。



- ★ 產品不適合8歲以下的兒童。
- ★ 產品中含有帶尖點的小零件。
- ★ 對於3歲以下兒童當心因窒息產生的危害。

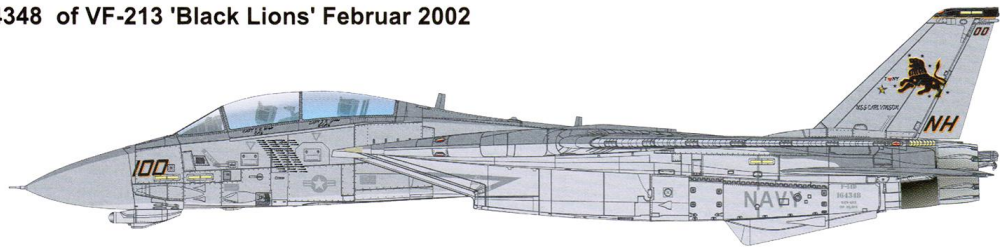
NOT SUITABLE FOR CHILDREN UNDER 8 YEARS.
CONTAINS FUNCTIONAL SHARP POINTS. CONTAINS
SMALL PARTS. BEWARE OF CHOKING HAZARD OF
CHILDREN UNDER 3 YEARS.

PAINT AND COLOR USED

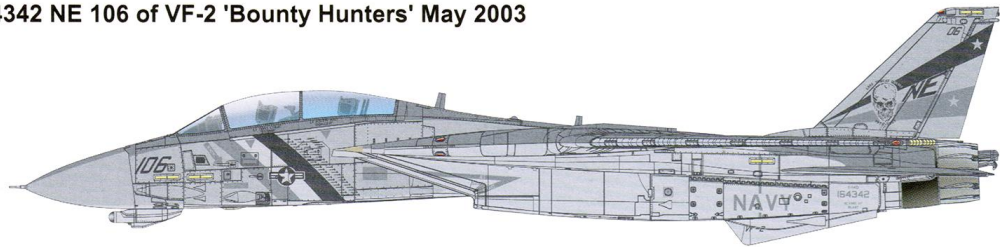
1		白色 White	2		透明紅色 Clear Red	3		哑光黑色 Flat Black
4		紅色 Red	5		透明藍色 Clear Blue	6		灰色的白色 Grayish White
7		黃色 Yellow	8		卡其色 Khaki	9		銀色 Silver
10		灰色 Gray	11		燒鐵色 Burnt Iron	12		透明綠色 Clear Green
13		橄欖色 Olive Drab	14		車胎黑色 Tire Black	15		透明黑色 Clear Black

This kit provides a choice of 5 types of markings. Select one before assembly.
本模型提供5種塗裝，請於組裝前選擇合適的塗裝。

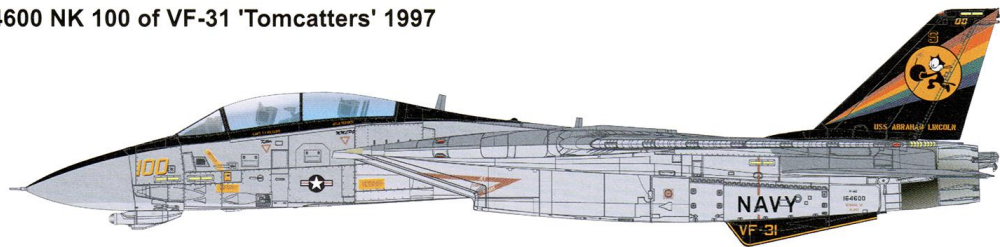
A F-14D Tomcat BuNo. 164348 of VF-213 'Black Lions' Februar 2002



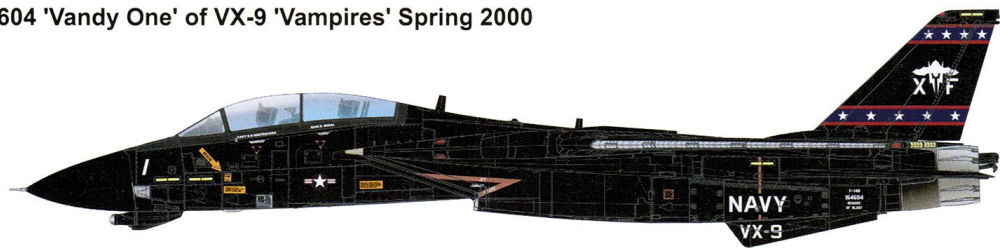
B F-14D Tomcat BuNo. 164342 NE 106 of VF-2 'Bounty Hunters' May 2003



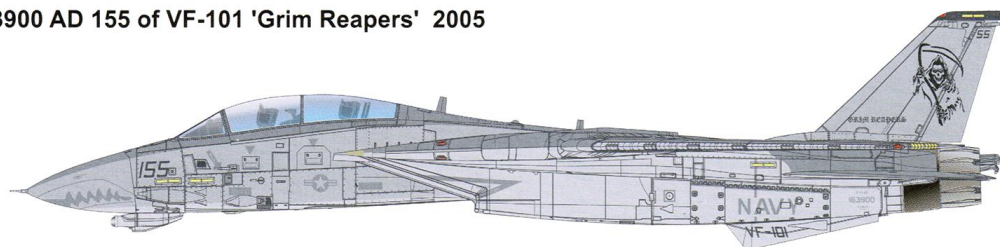
C F-14D Tomcat BuNo. 164600 NK 100 of VF-31 'Tomcatters' 1997

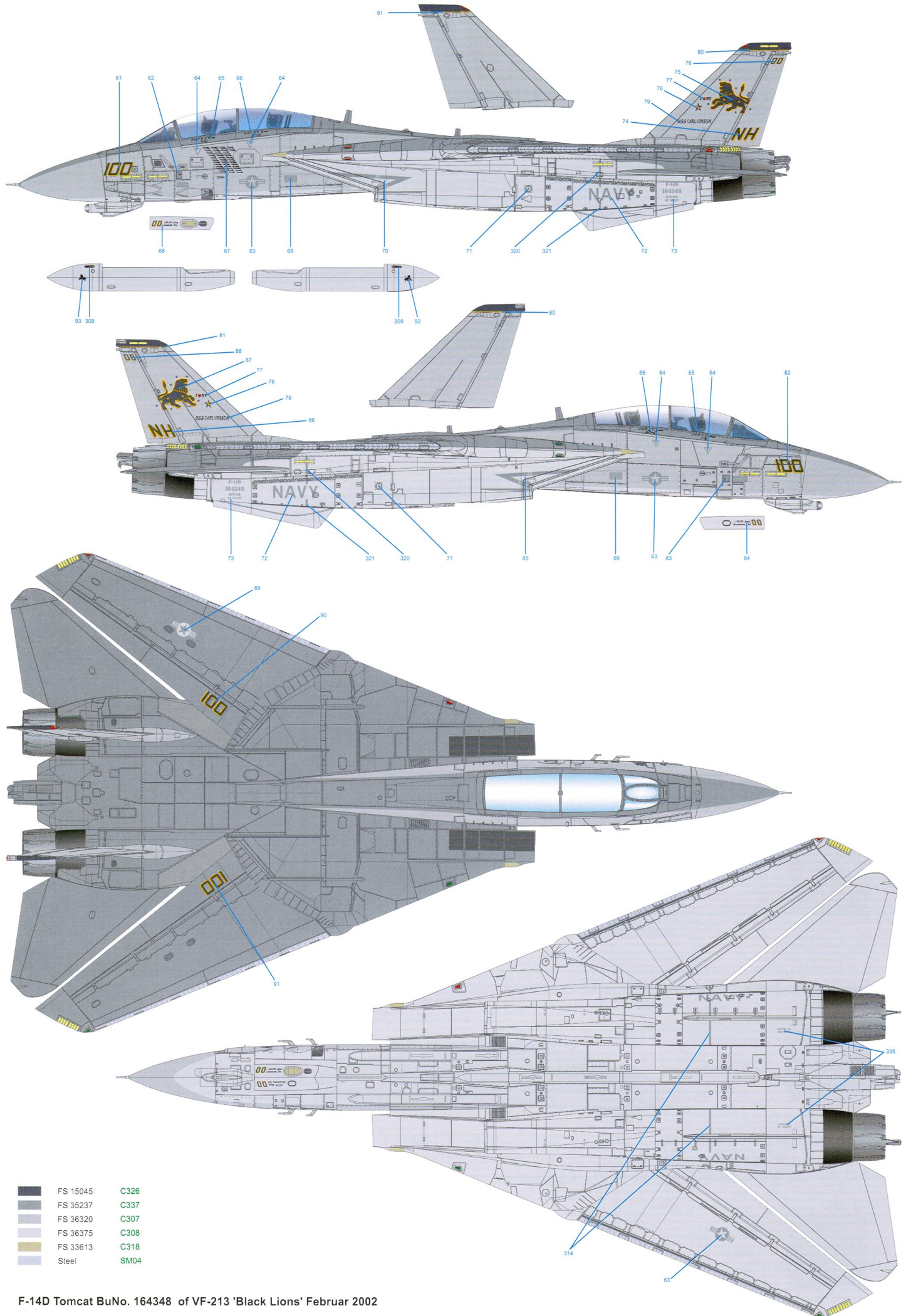


D F-14D Tomcat BuNo. 164604 'Vandy One' of VX-9 'Vampires' Spring 2000



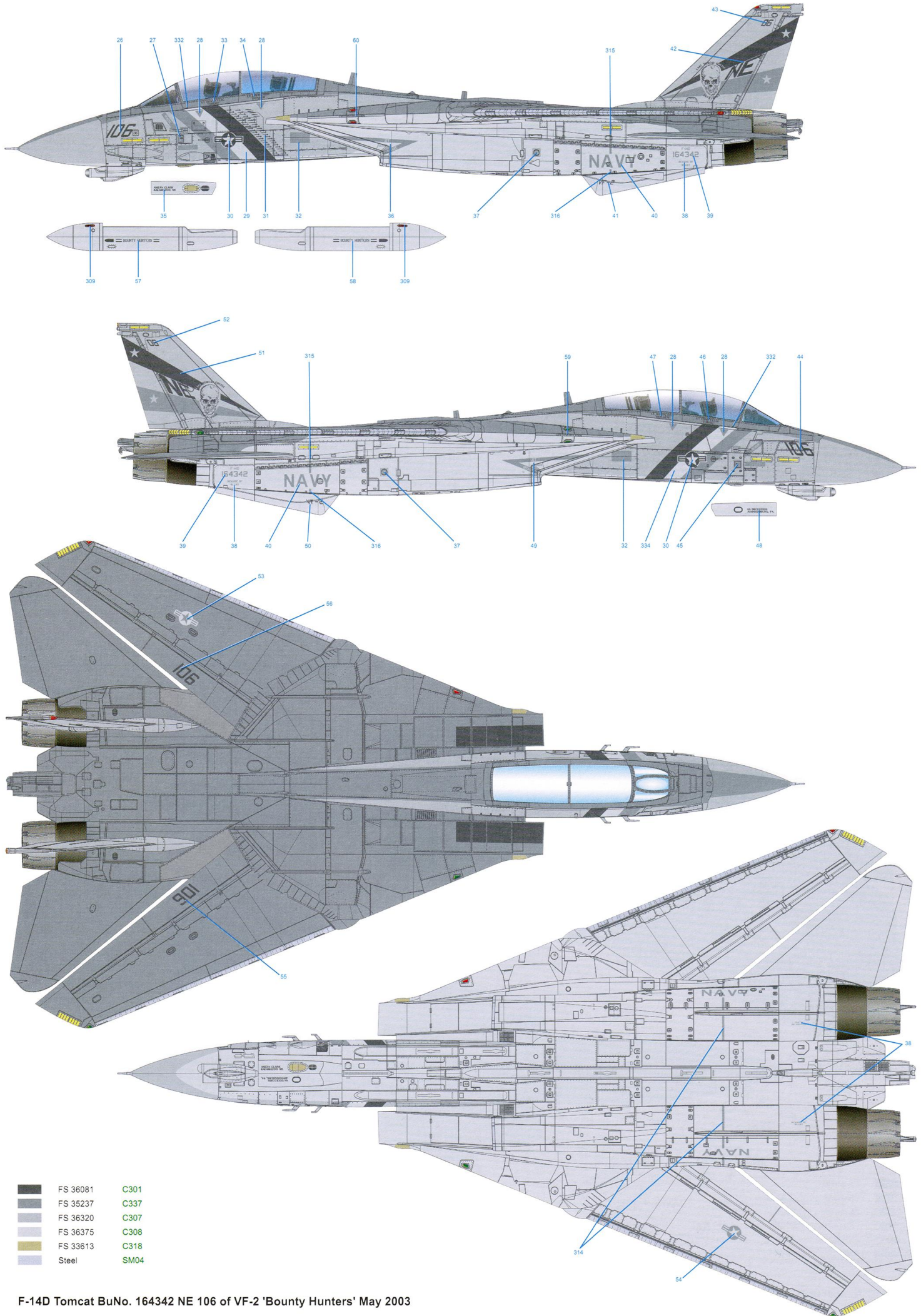
E F-14D Tomcat BuNo. 163900 AD 155 of VF-101 'Grim Reapers' 2005





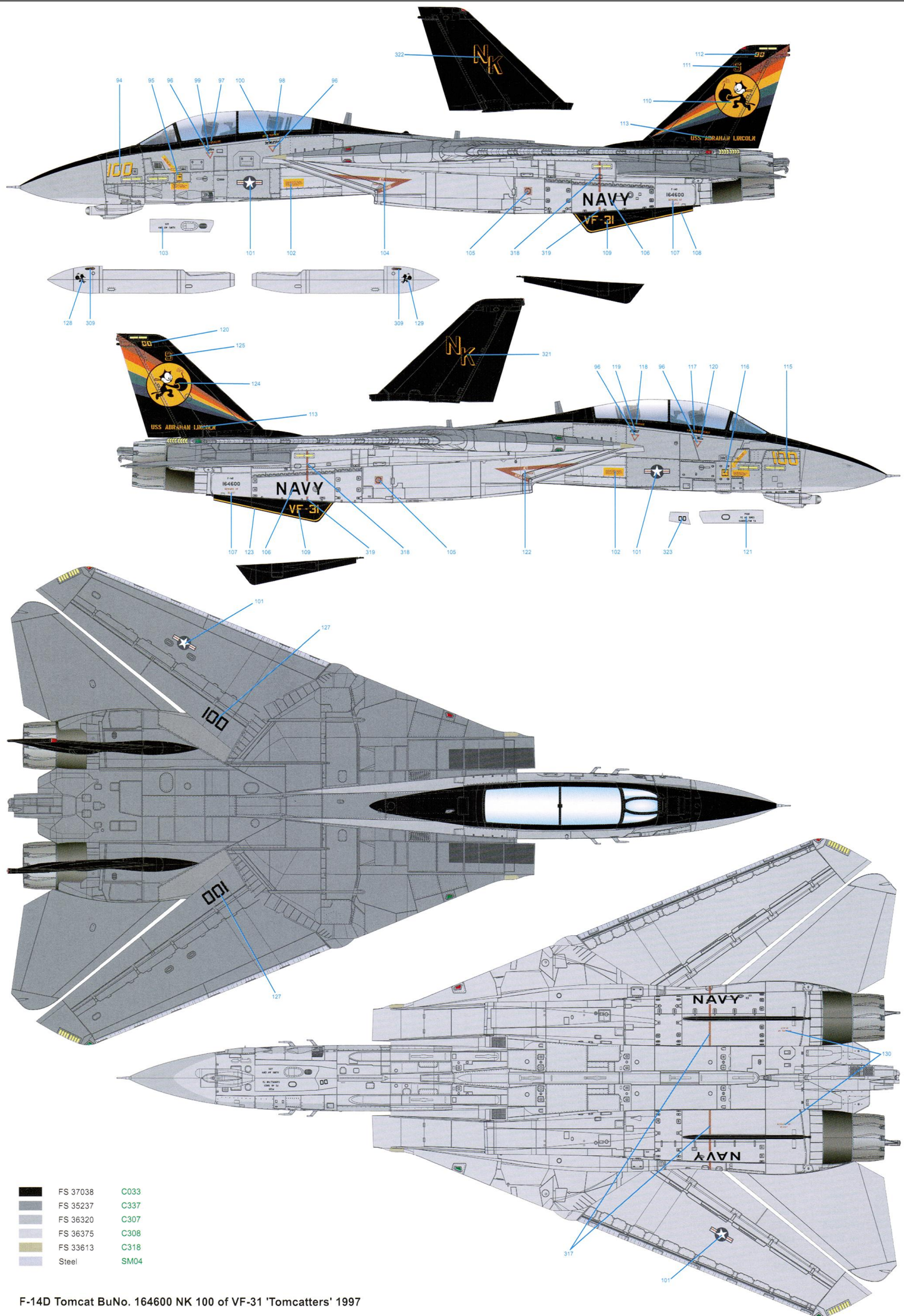
- | | |
|------------|------|
| ■ FS 15045 | C326 |
| ■ FS 35237 | C337 |
| ■ FS 36320 | C307 |
| ■ FS 36375 | C308 |
| ■ FS 33613 | C318 |
| ■ Steel | SM04 |

F-14D Tomcat BuNo. 164348 of VF-213 'Black Lions' Februar 2002








- | | |
|------------|------|
| ■ FS 36081 | C301 |
| ■ FS 35237 | C337 |
| ■ FS 36320 | C307 |
| ■ FS 36375 | C308 |
| ■ FS 33613 | C318 |
| ■ Steel | SM04 |

F-14D Tomcat BuNo. 164342 NE 106 of VF-2 'Bounty Hunters' May 2003

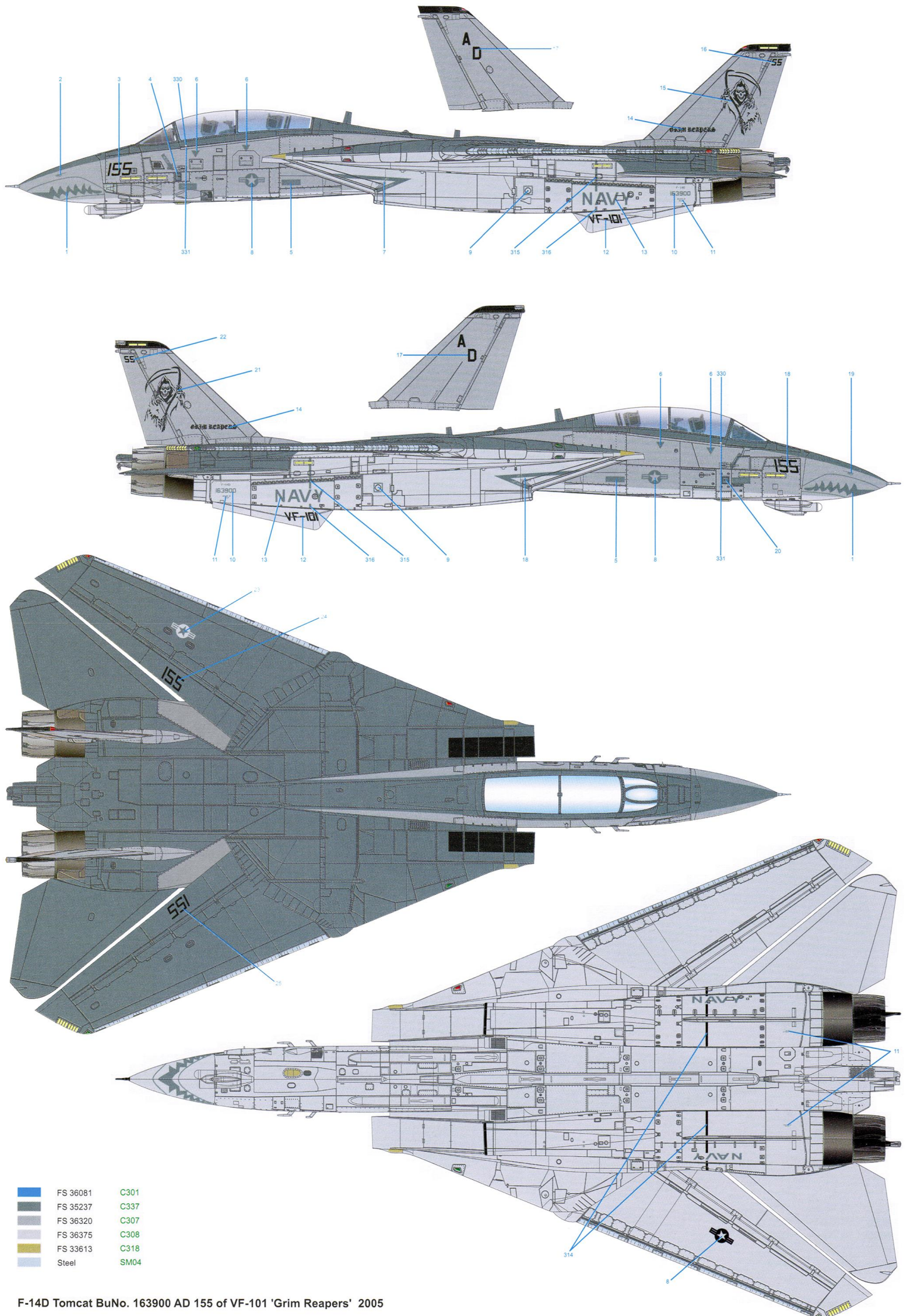


F-14D Tomcat BuNo. 164600 NK 100 of VF-31 'Tomcatters' 1997



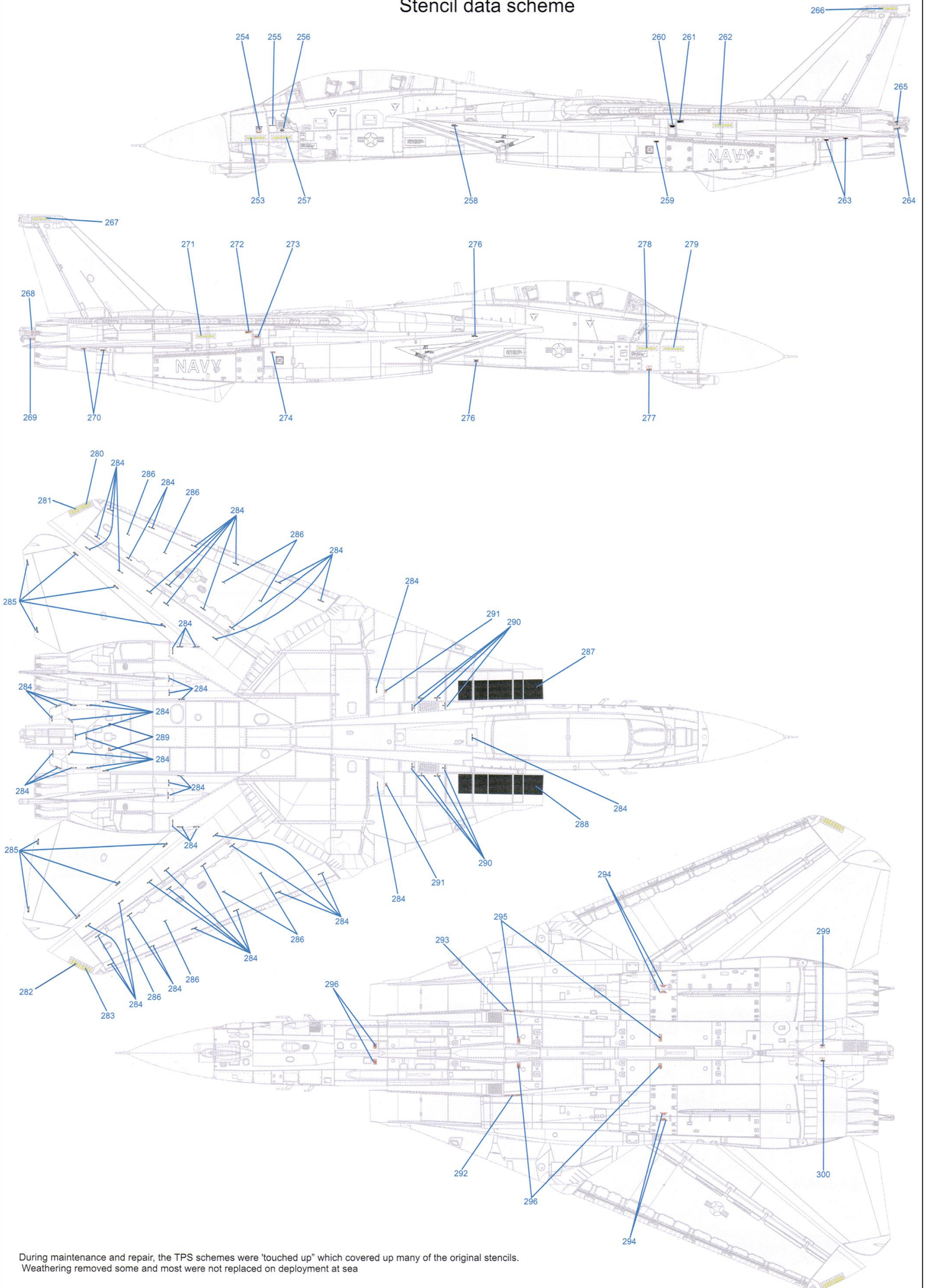
- | | | |
|--|----------|------|
|  | FS 37875 | C062 |
|  | FS 37038 | C033 |
|  | FS 17038 | C002 |
|  | FS 33613 | C318 |
|  | Steel | SM04 |

F-14D Tomcat BuNo.164604 'Vandy One' of VX-9 'Vampires' Spring 2000



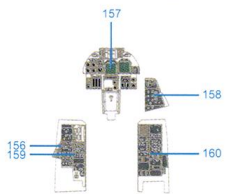
F-14D Tomcat BuNo. 16390 AD 155 of VF-101 'Grim Reapers' 2005

Stencil data scheme

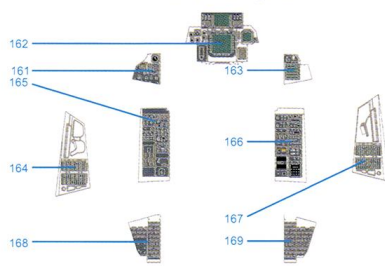


During maintenance and repair, the TPS schemes were 'touched up' which covered up many of the original stencils. Weathering removed some and most were not replaced on deployment at sea

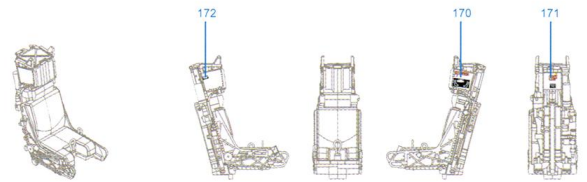
Front cockpit



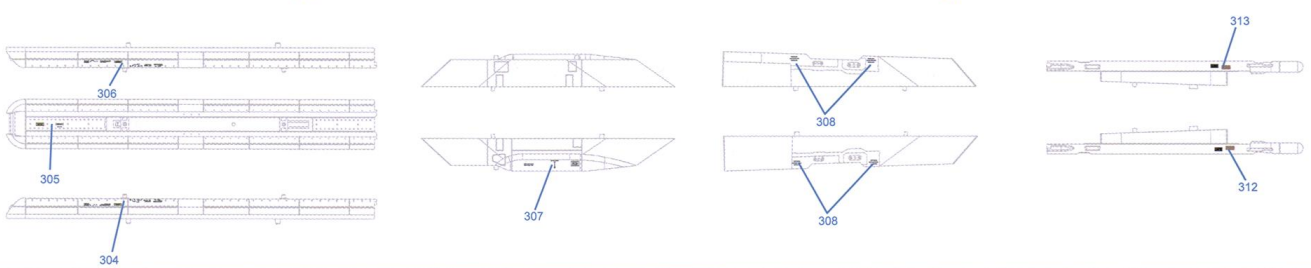
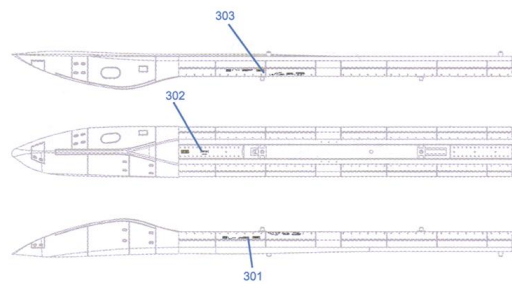
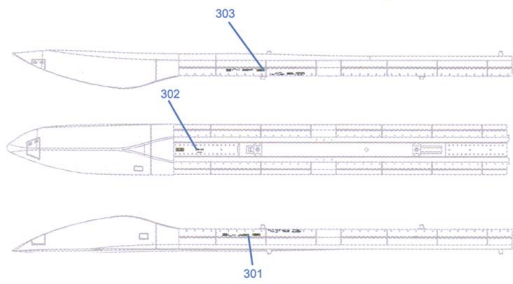
Aft cockpit



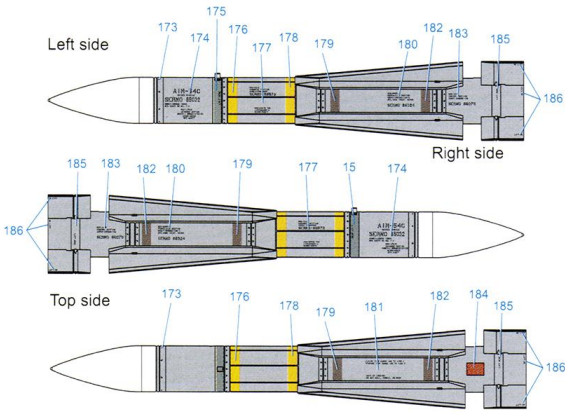
Ejection seats



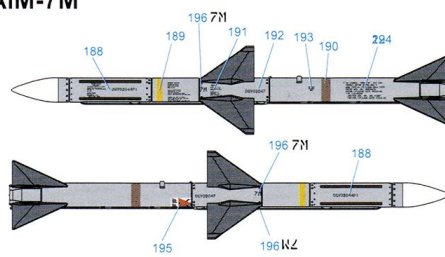
Pylons, adapters and launchers



AIM-54C

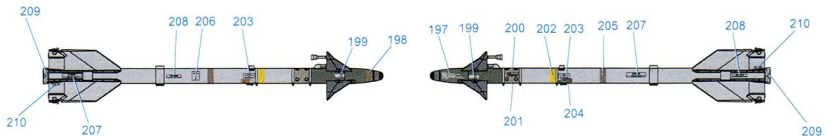


AIM-7M

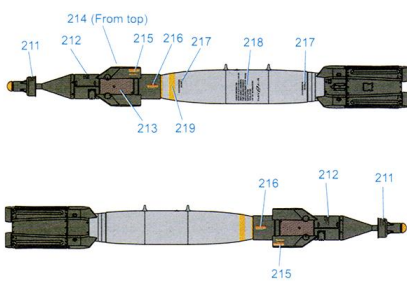


FS 36375	308
FS 17875	1
Stainless	MC213
FS 34102	303
FS 34087	304
FS 36118	305

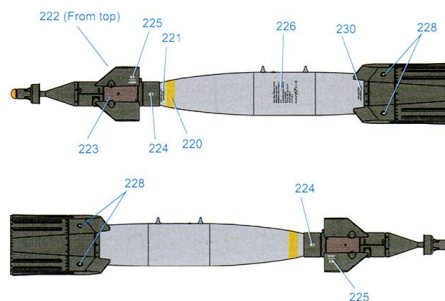
AIM-9M



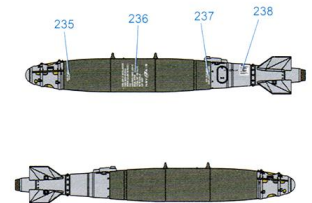
GBU-12



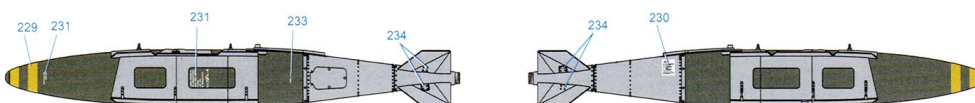
GBU-16



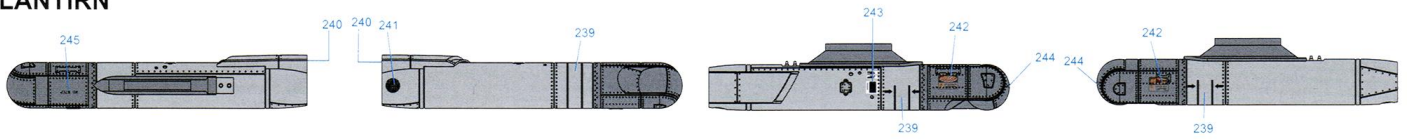
GBU-38 JDAM BOMBS



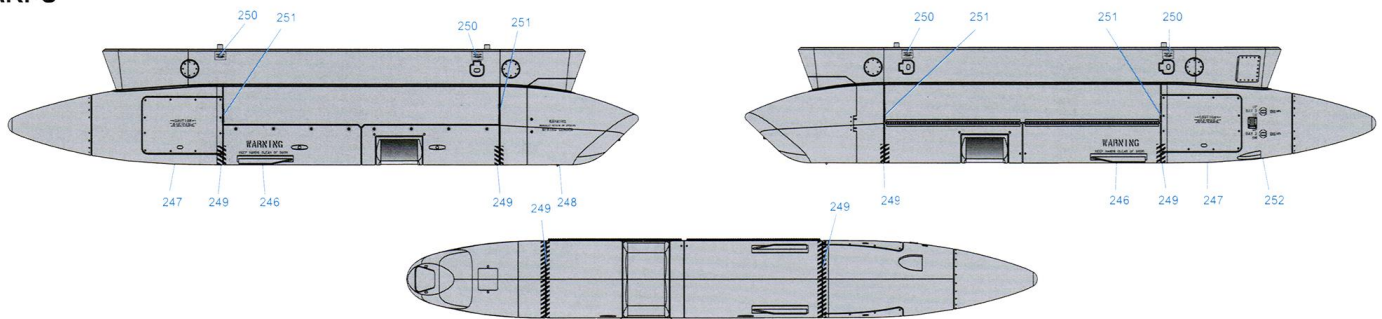
GBU-31 JDAM



LANTIRN

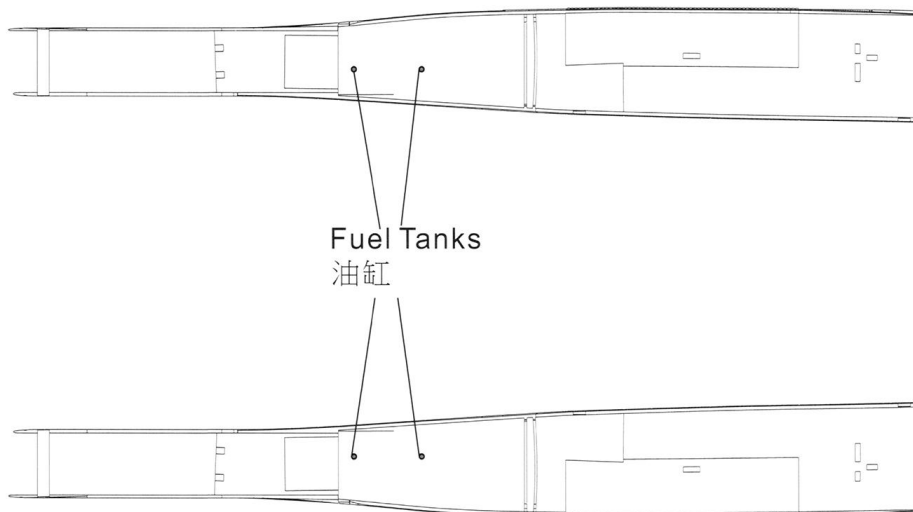
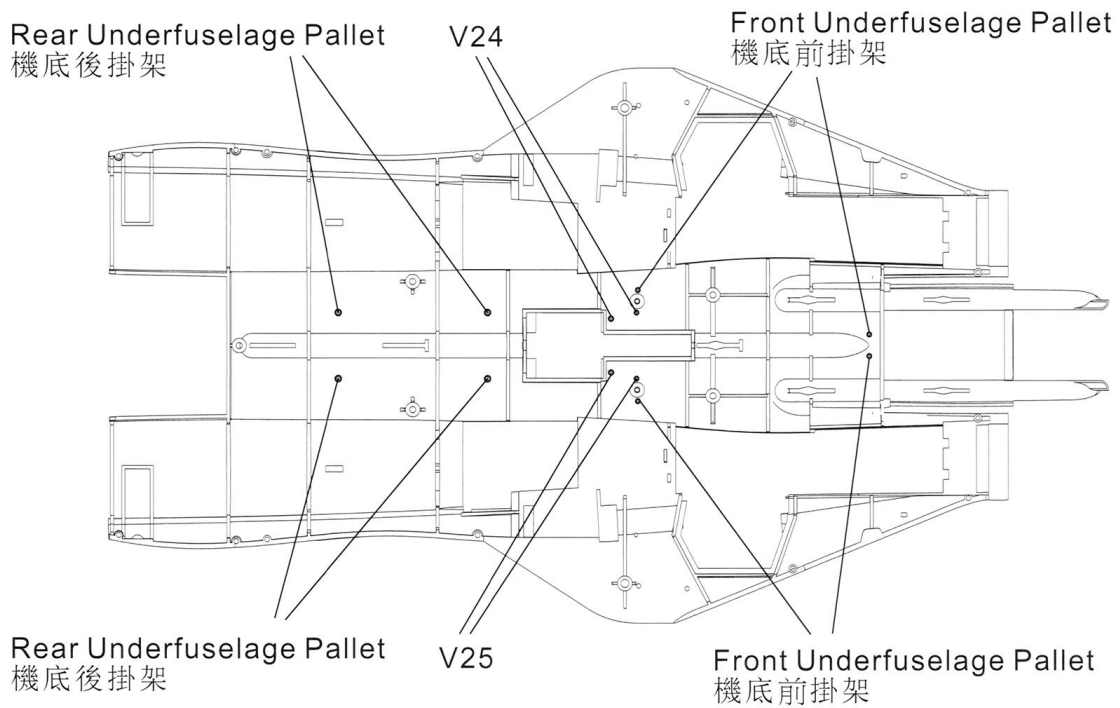


TARPS



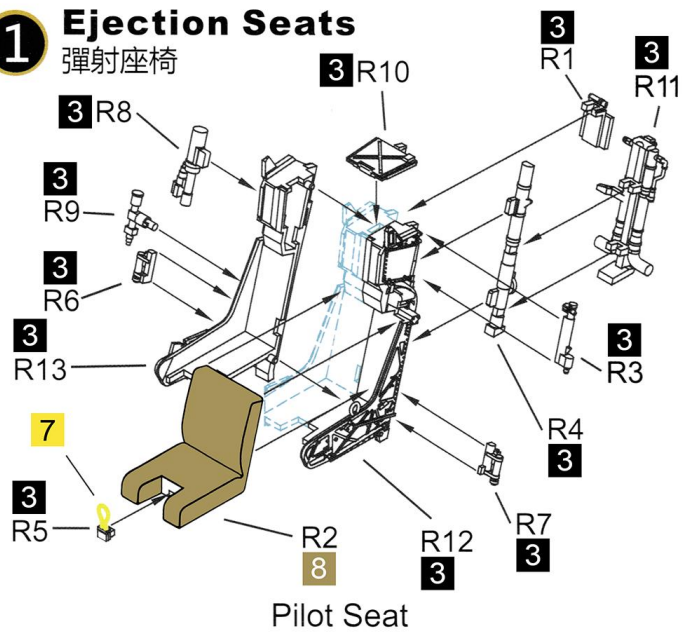
Drilling Holes

鑽孔

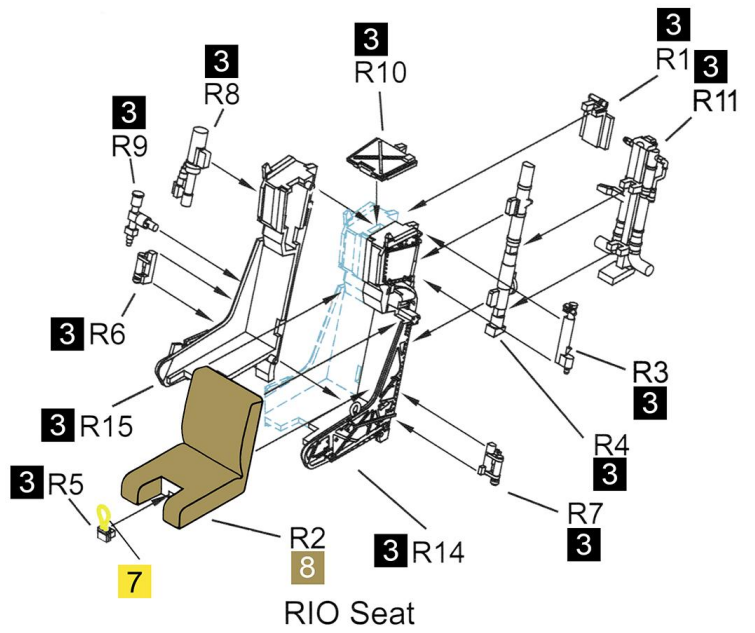


1 Ejection Seats

彈射座椅



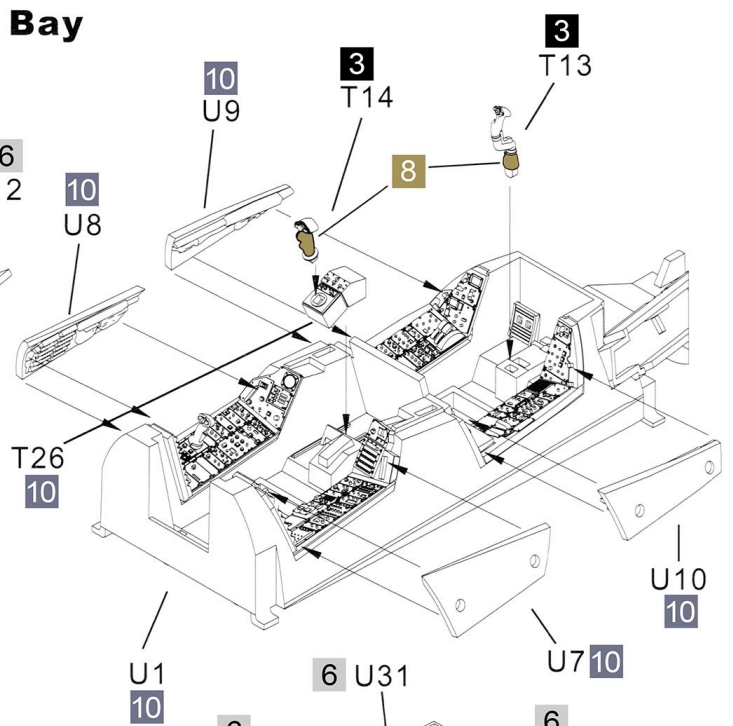
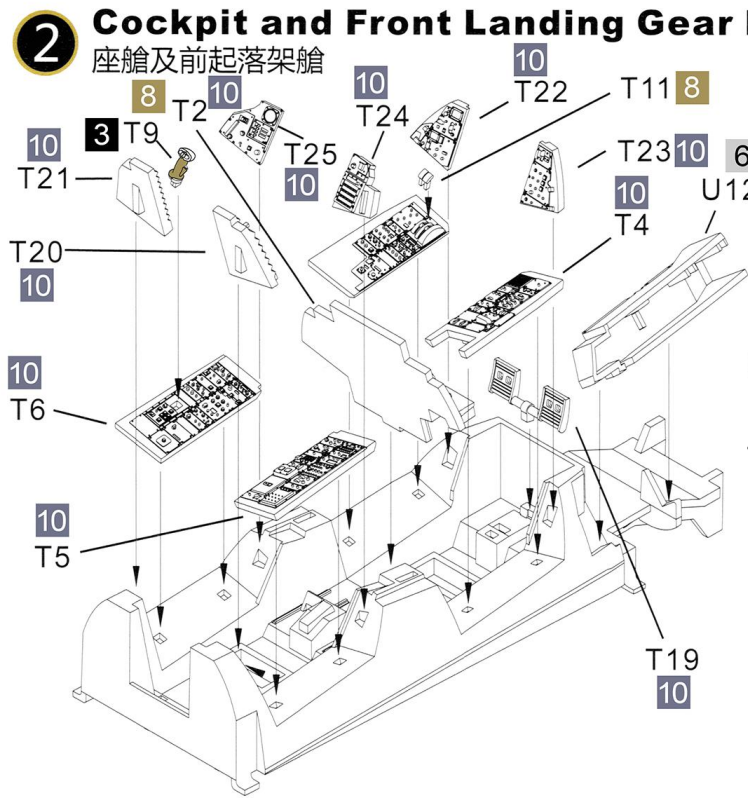
Pilot Seat



RIO Seat

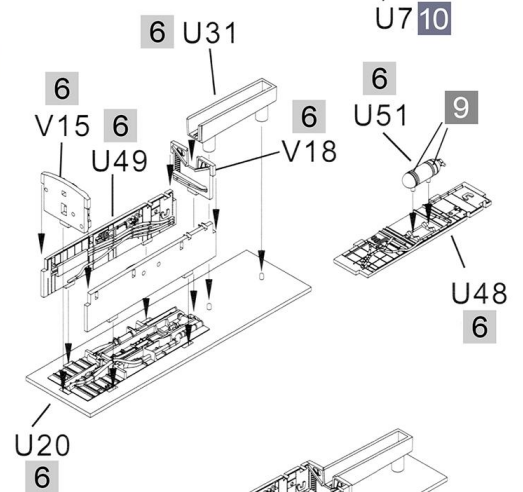
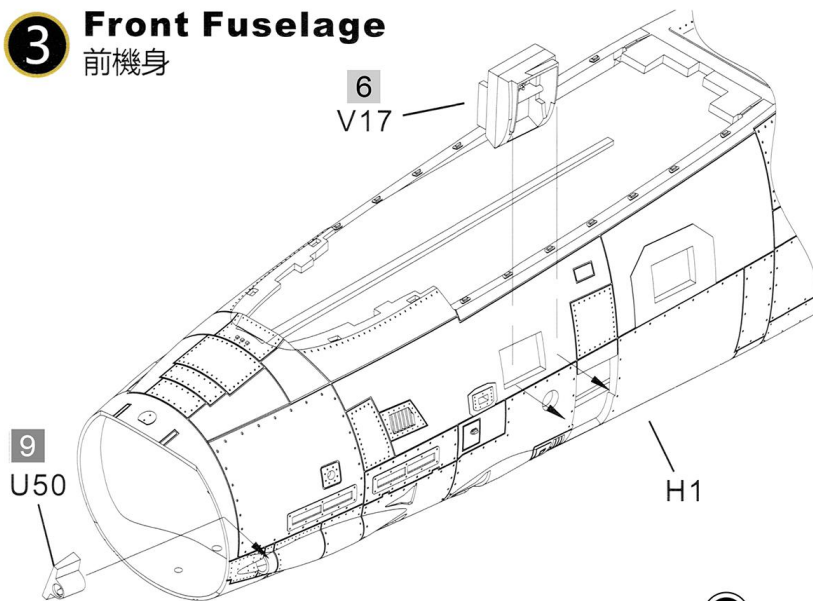
2 Cockpit and Front Landing Gear Bay

座艙及前起落架艙

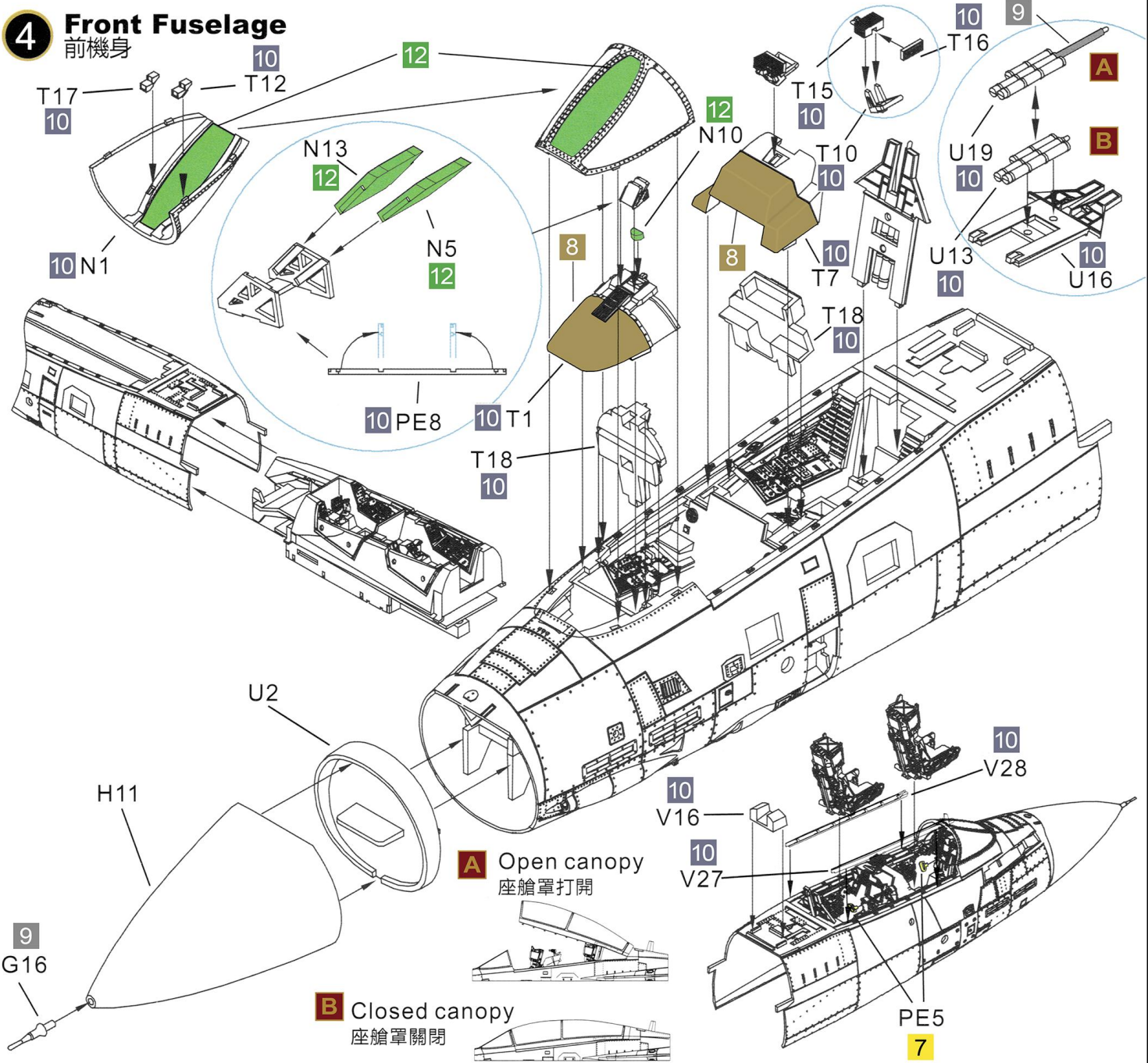


3 Front Fuselage

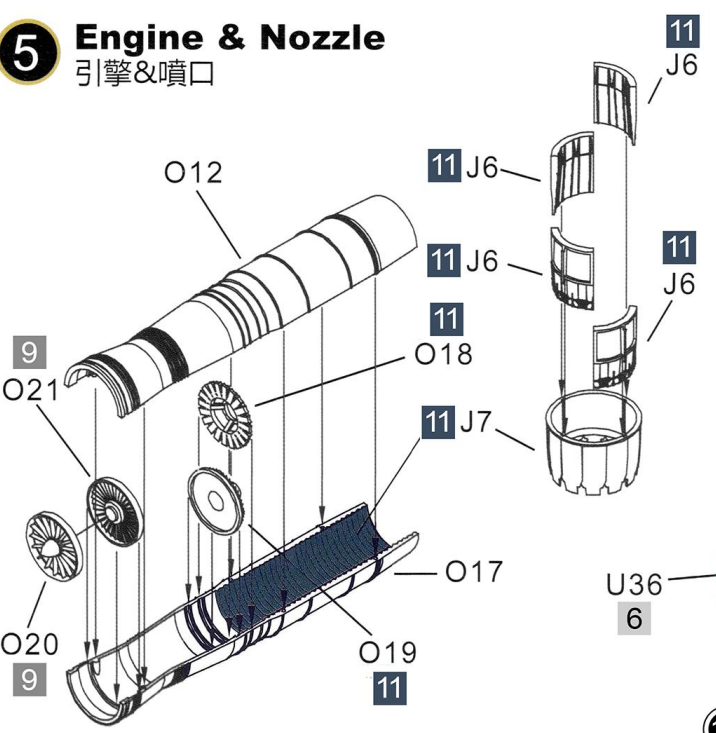
前機身



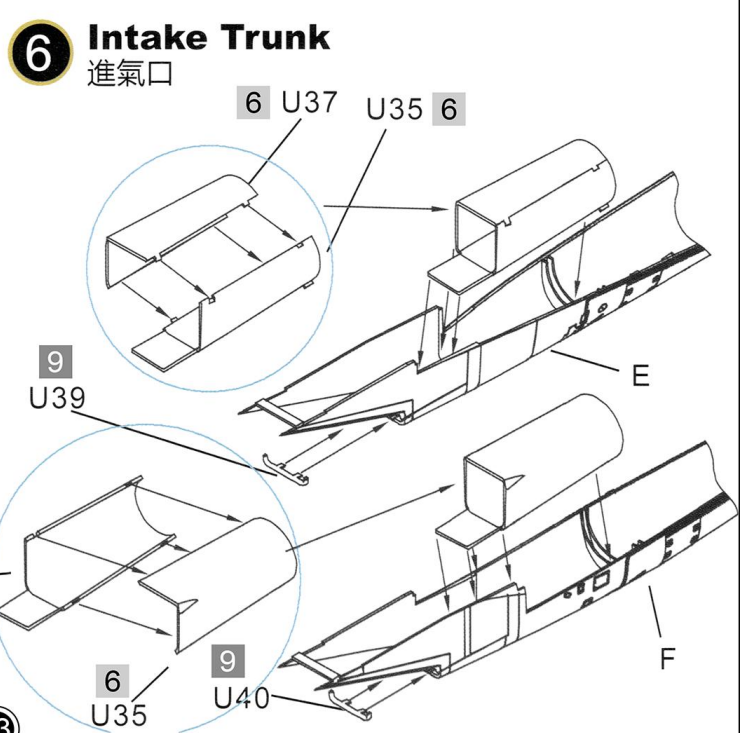
4 Front Fuselage 前機身



5 Engine & Nozzle 引擎&噴口

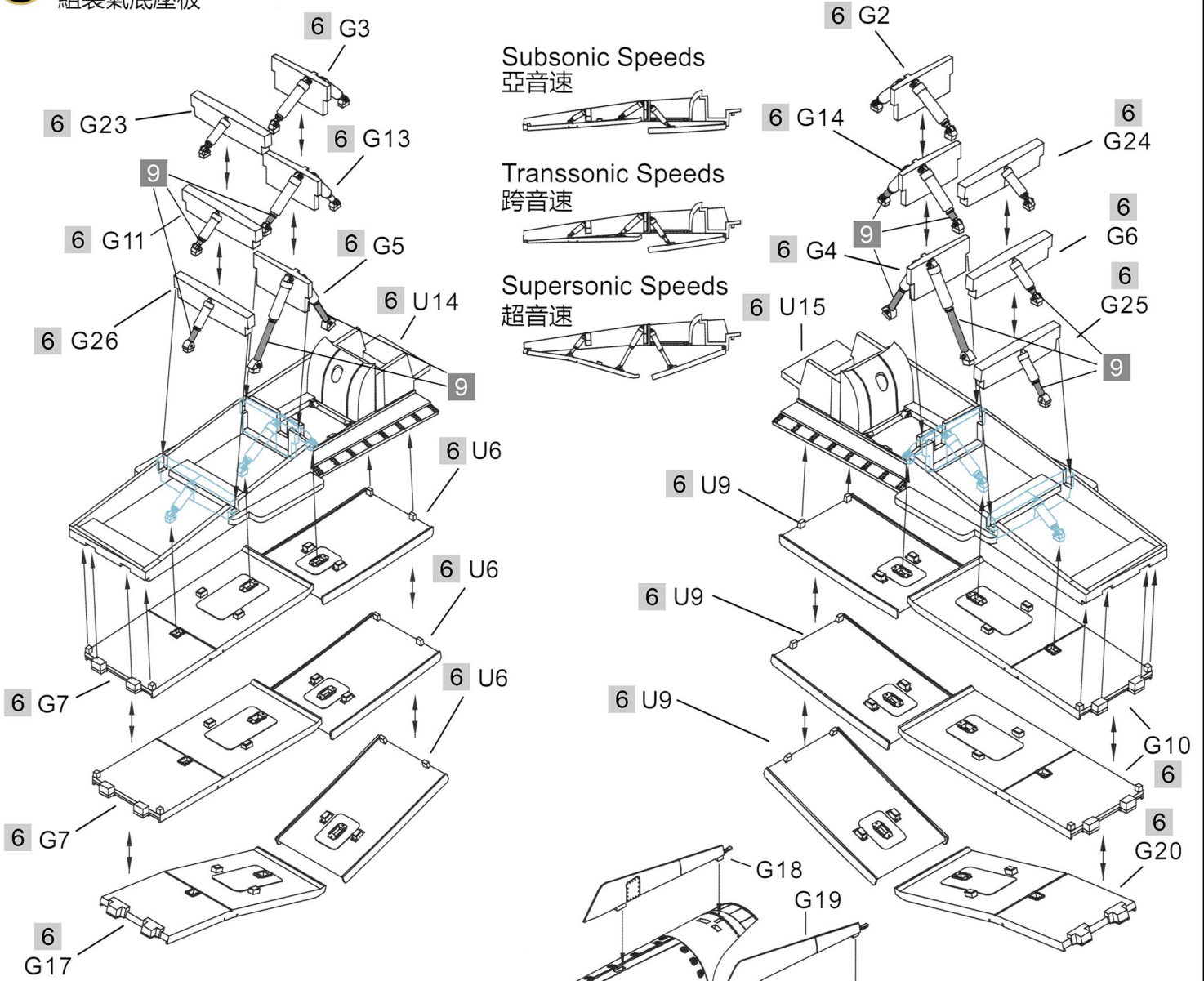


6 Intake Trunk 進氣口



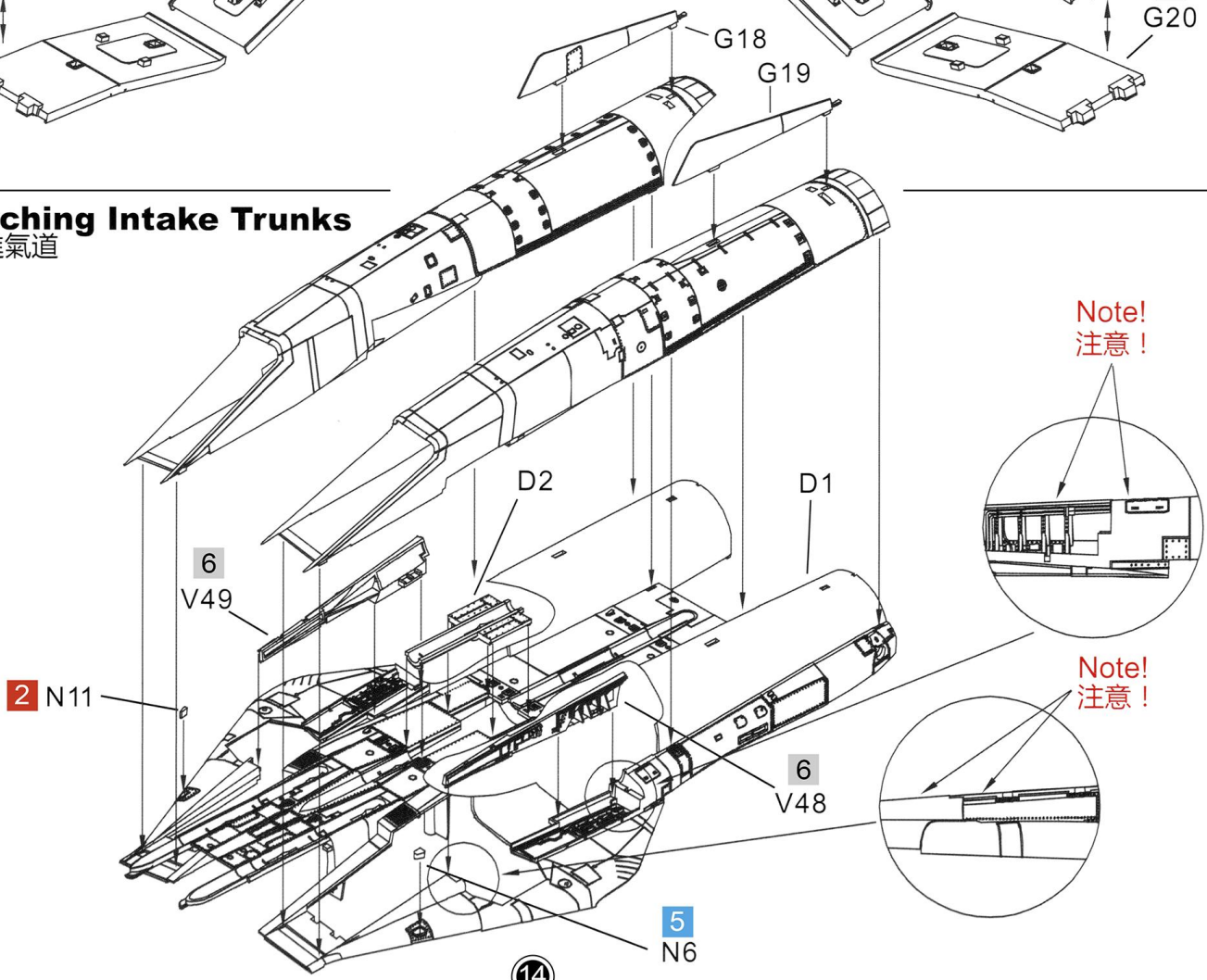
7 Attaching Intake Ramps

組裝氣底壓板



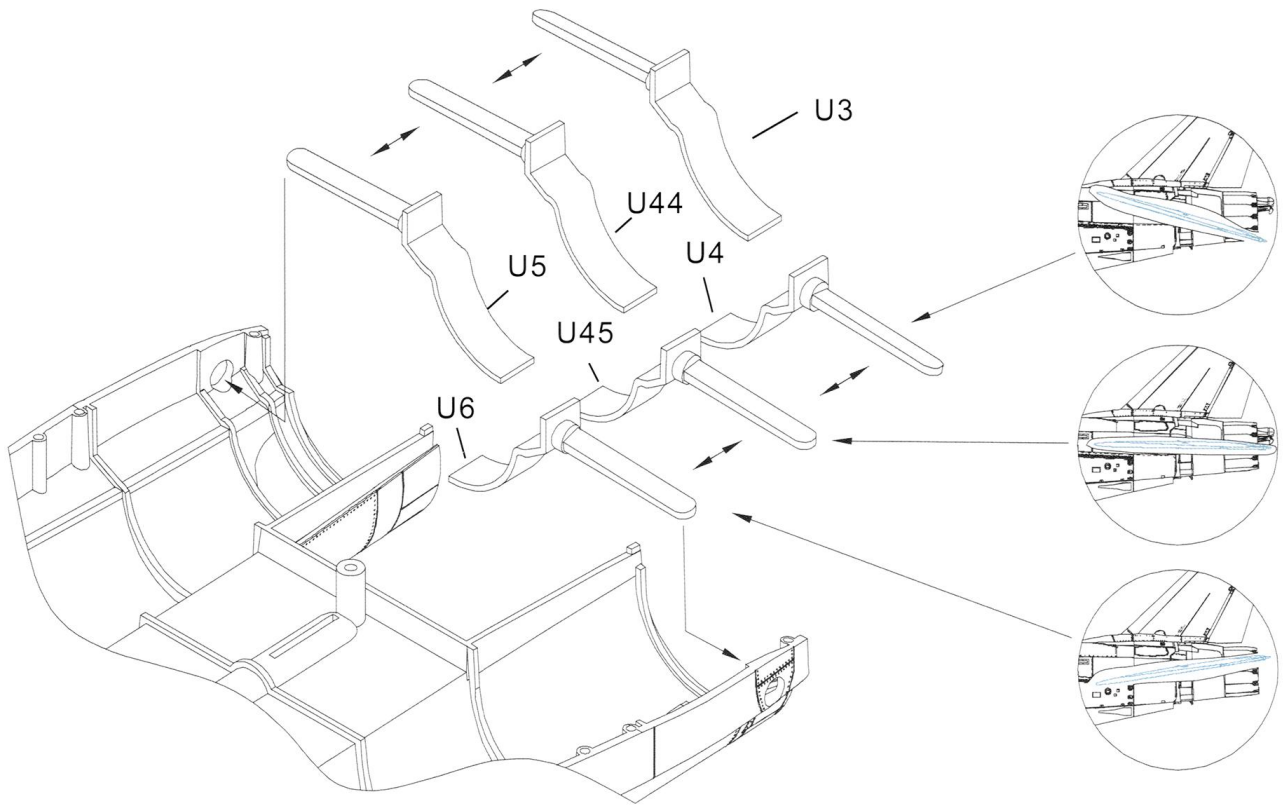
8 Attaching Intake Trunks

組裝進氣道



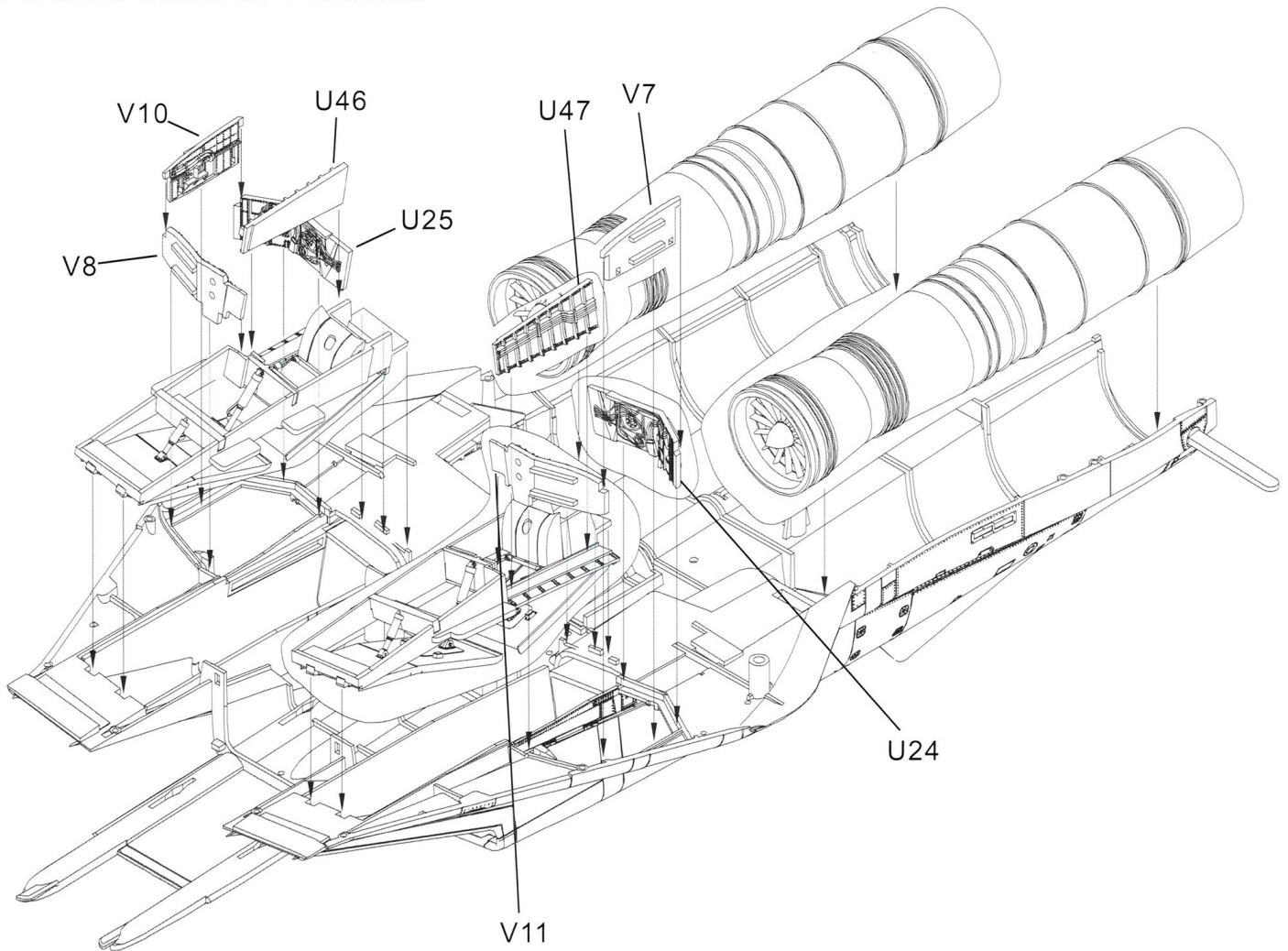
9 Horizontal Tail Wing Positions

水平尾翼狀態

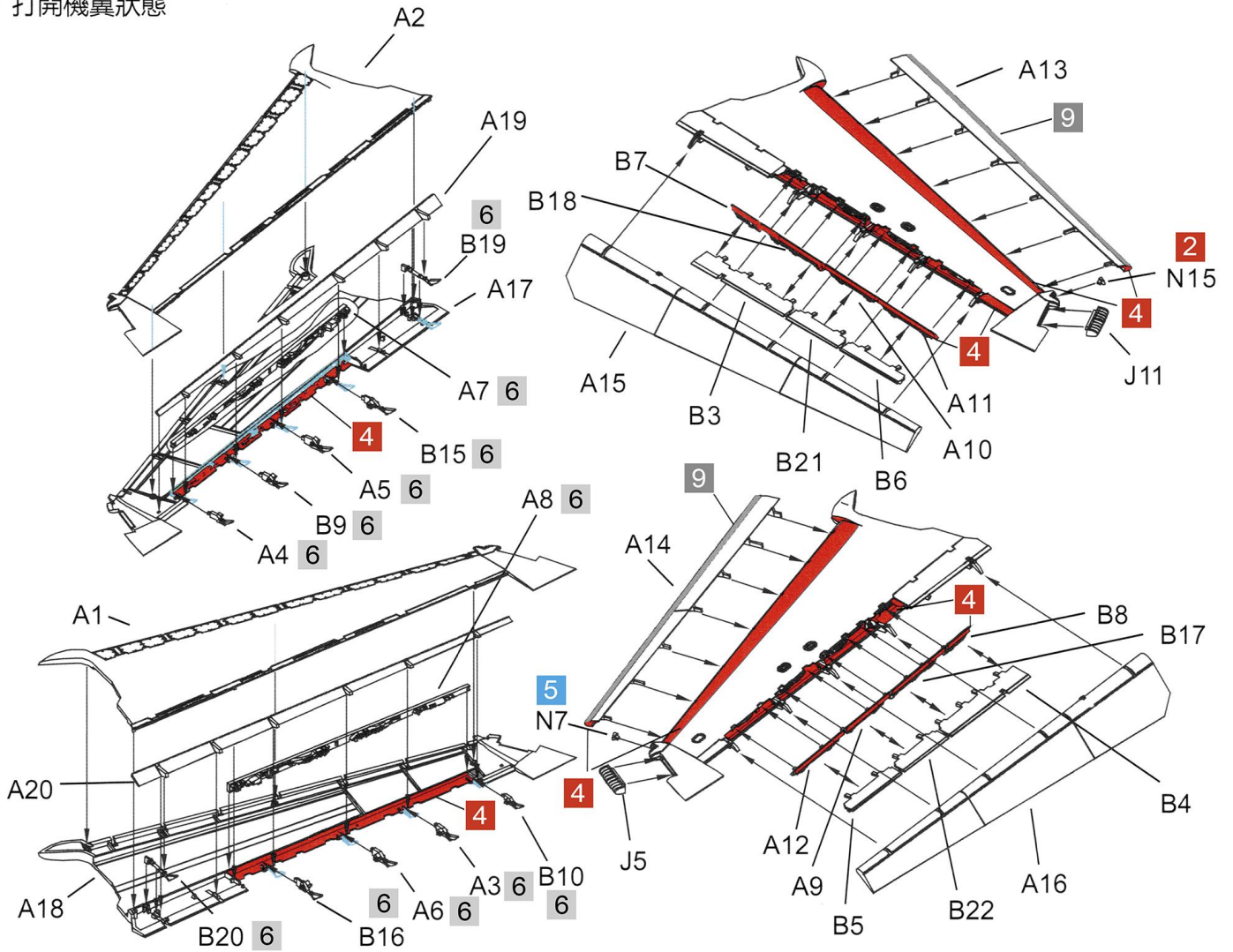


10 Attaching Engine, Intake Ramps & Main Landing Gear Bay

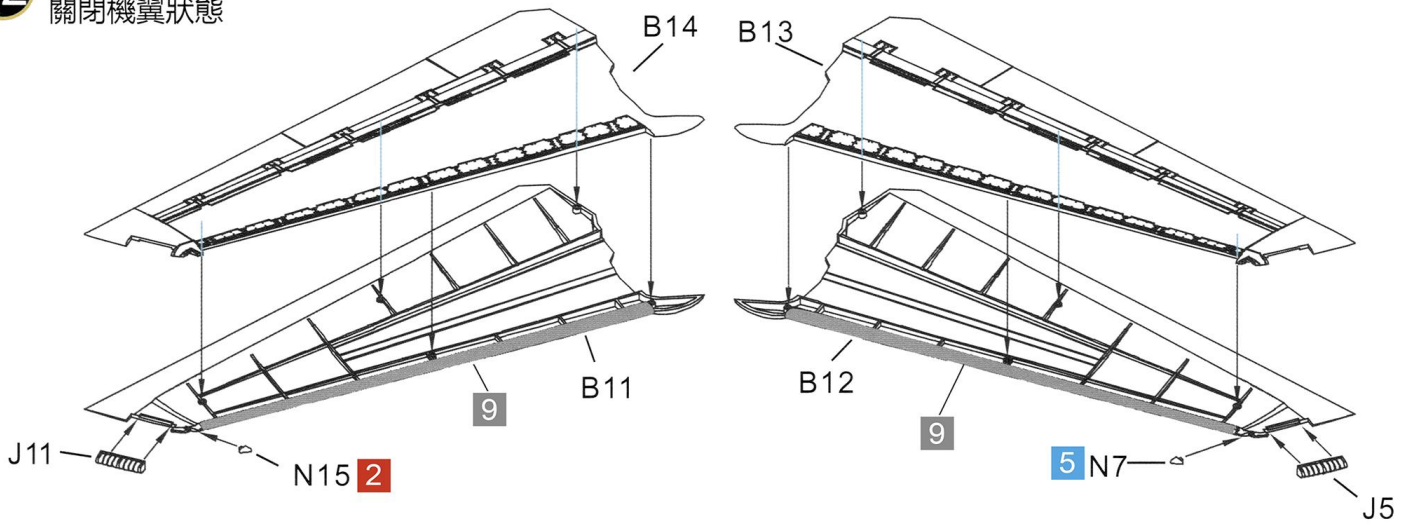
組裝引擎，氣流壓板&主起落架艙



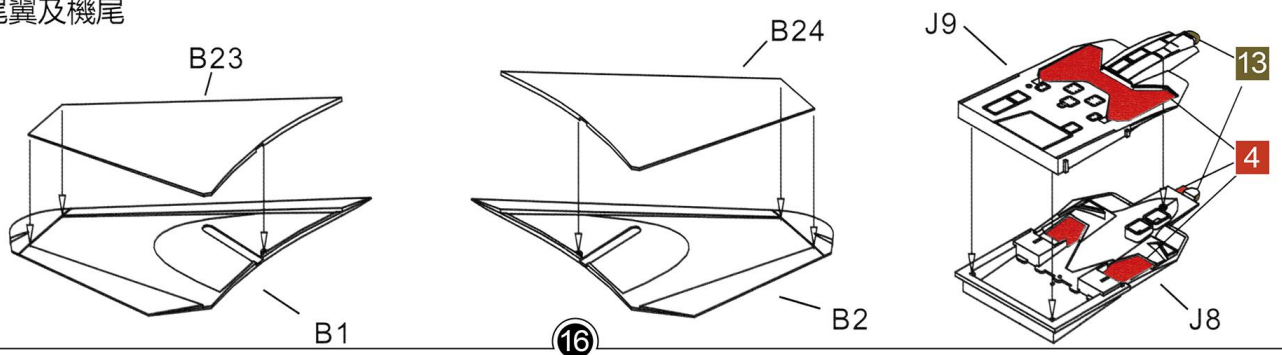
11 Open Wings
打開機翼狀態



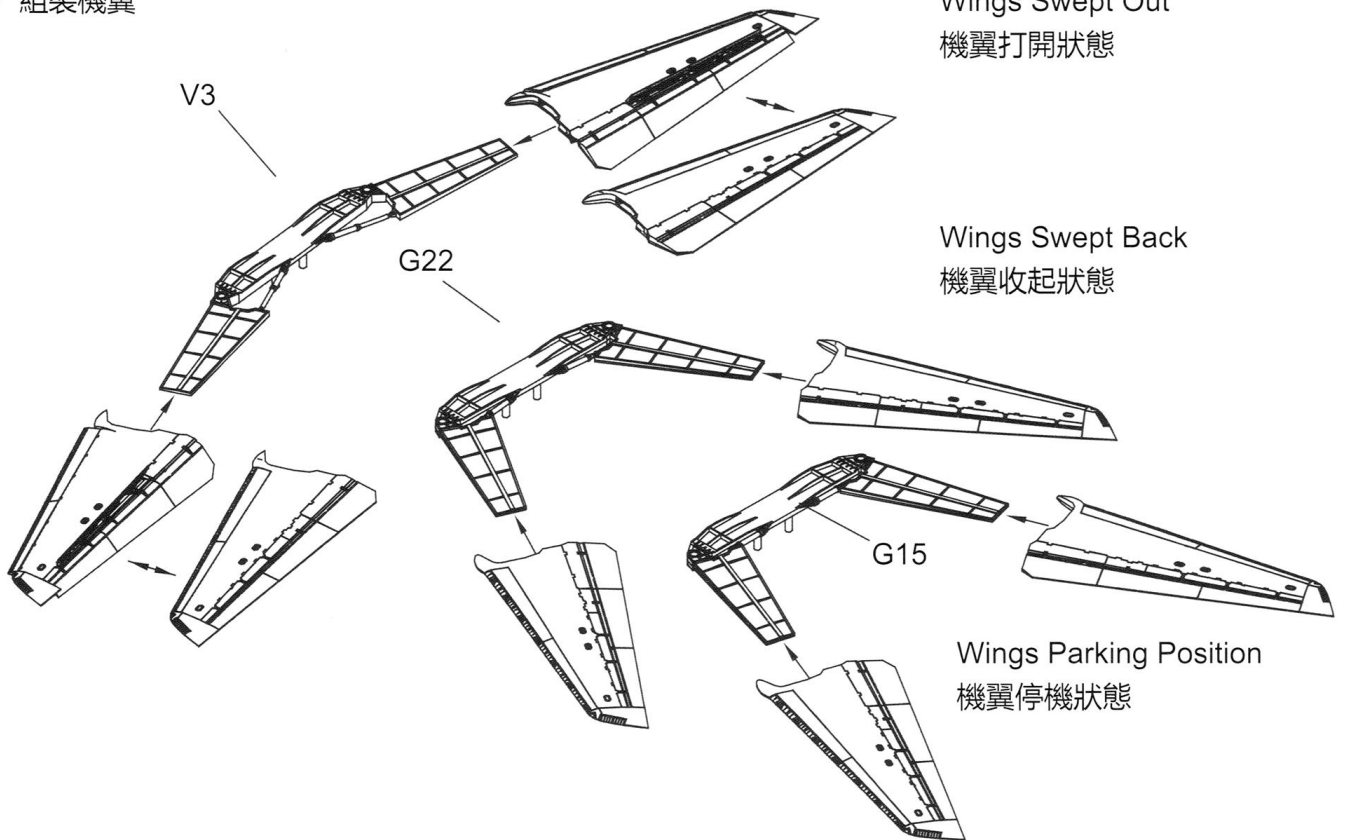
12 Close Wings
關閉機翼狀態



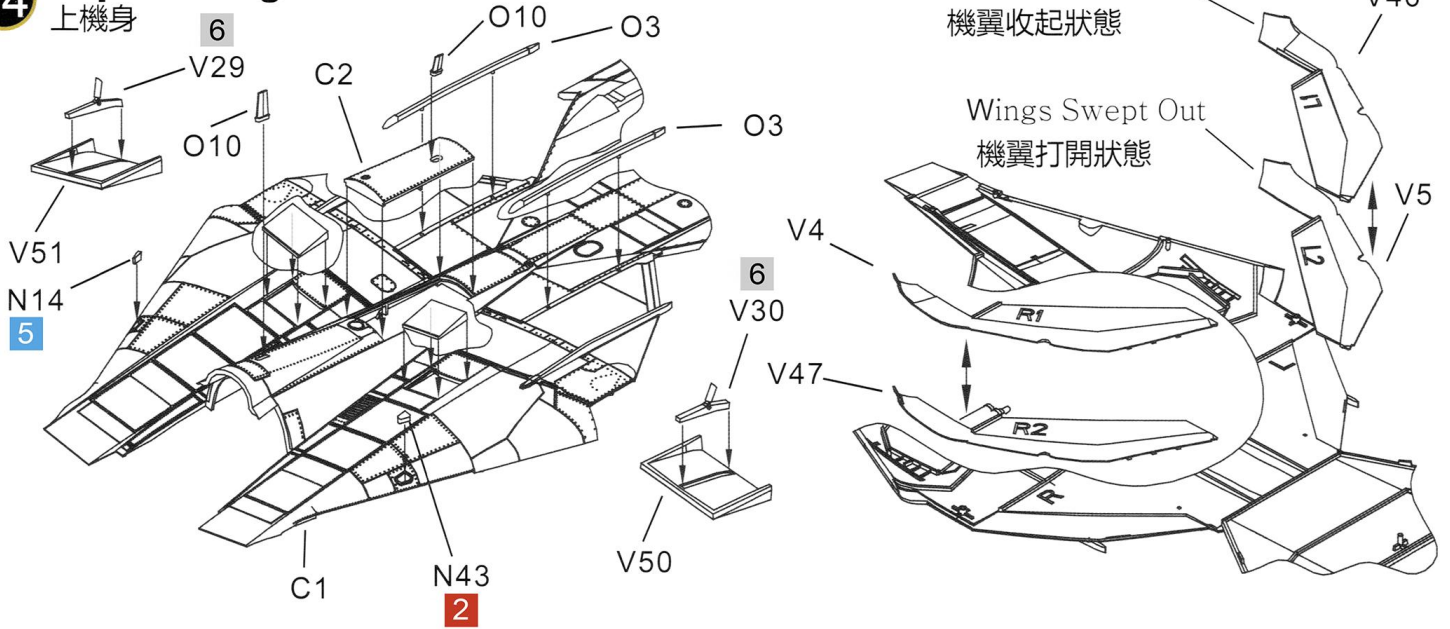
13 Horizontal Tail Wing & Tail
水平尾翼及機尾



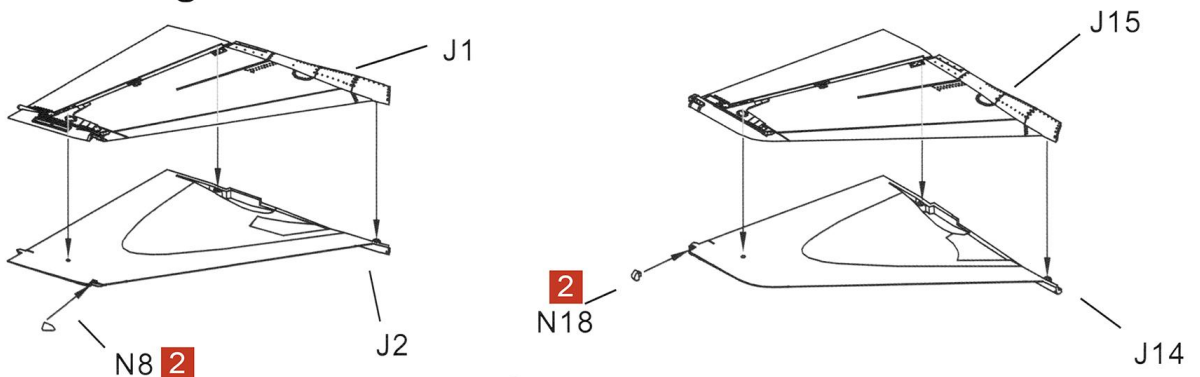
13 Attaching Wings 組裝機翼



14 Top Fuselage 上機身

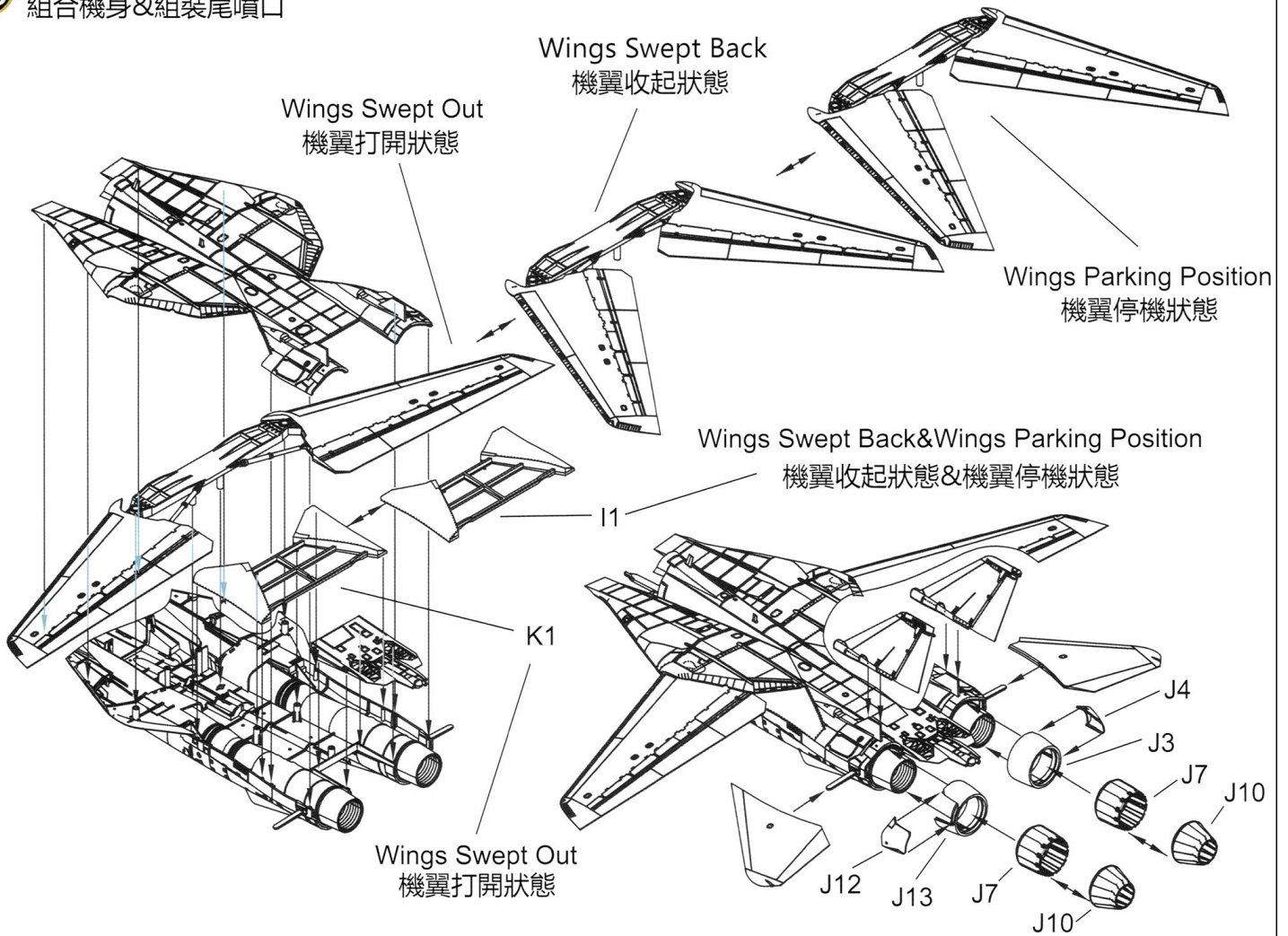


15 Vertical Tail Wings 垂直尾翼



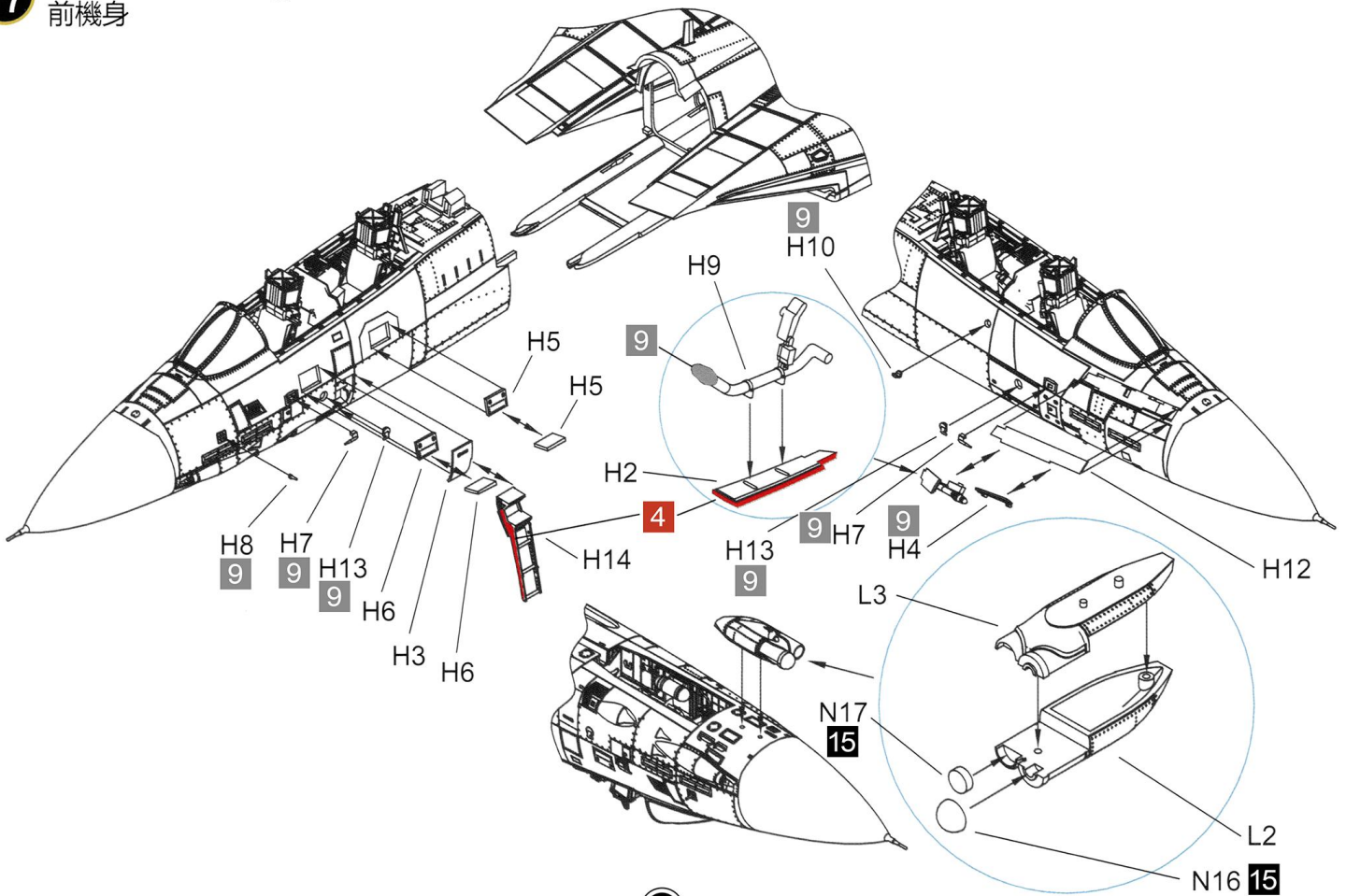
16 Closing Fuselage & Attaching Nozzles

組合機身 & 組裝尾噴口

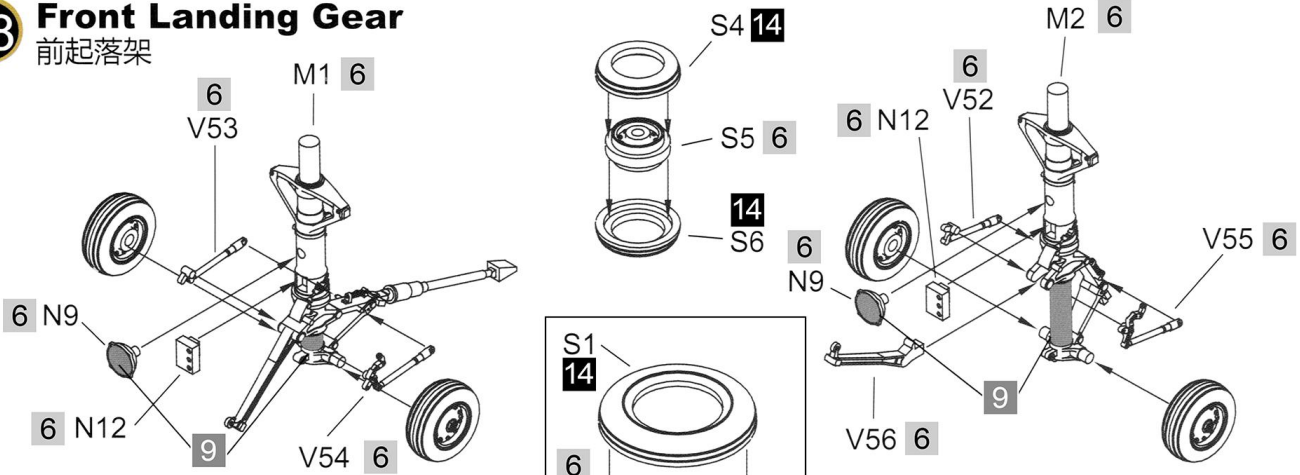


17 Front Fuselage

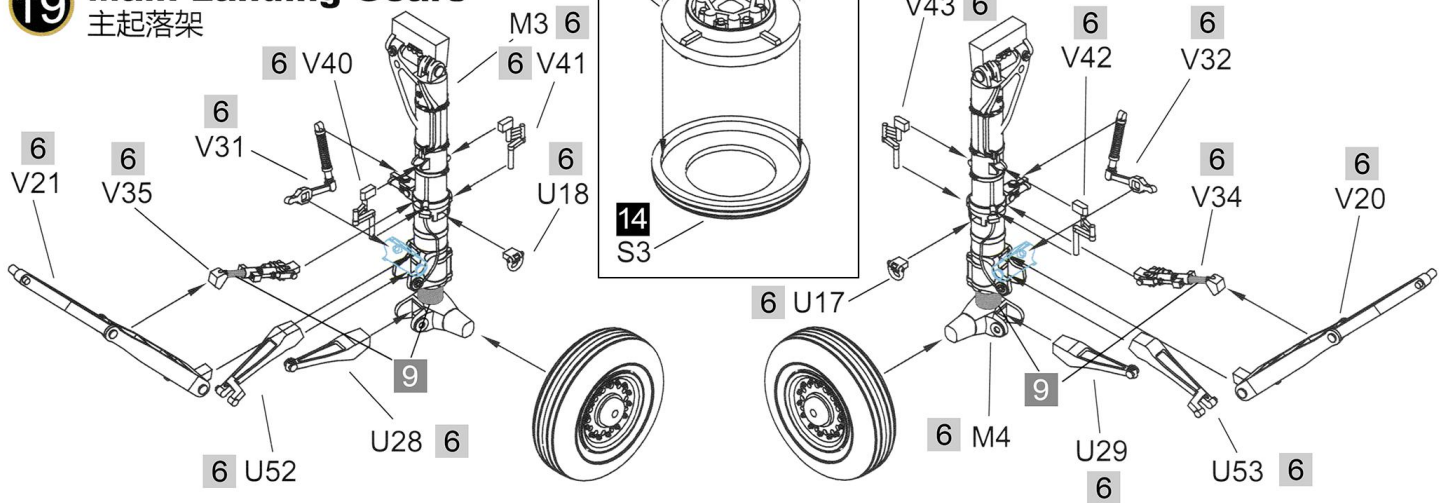
前機身



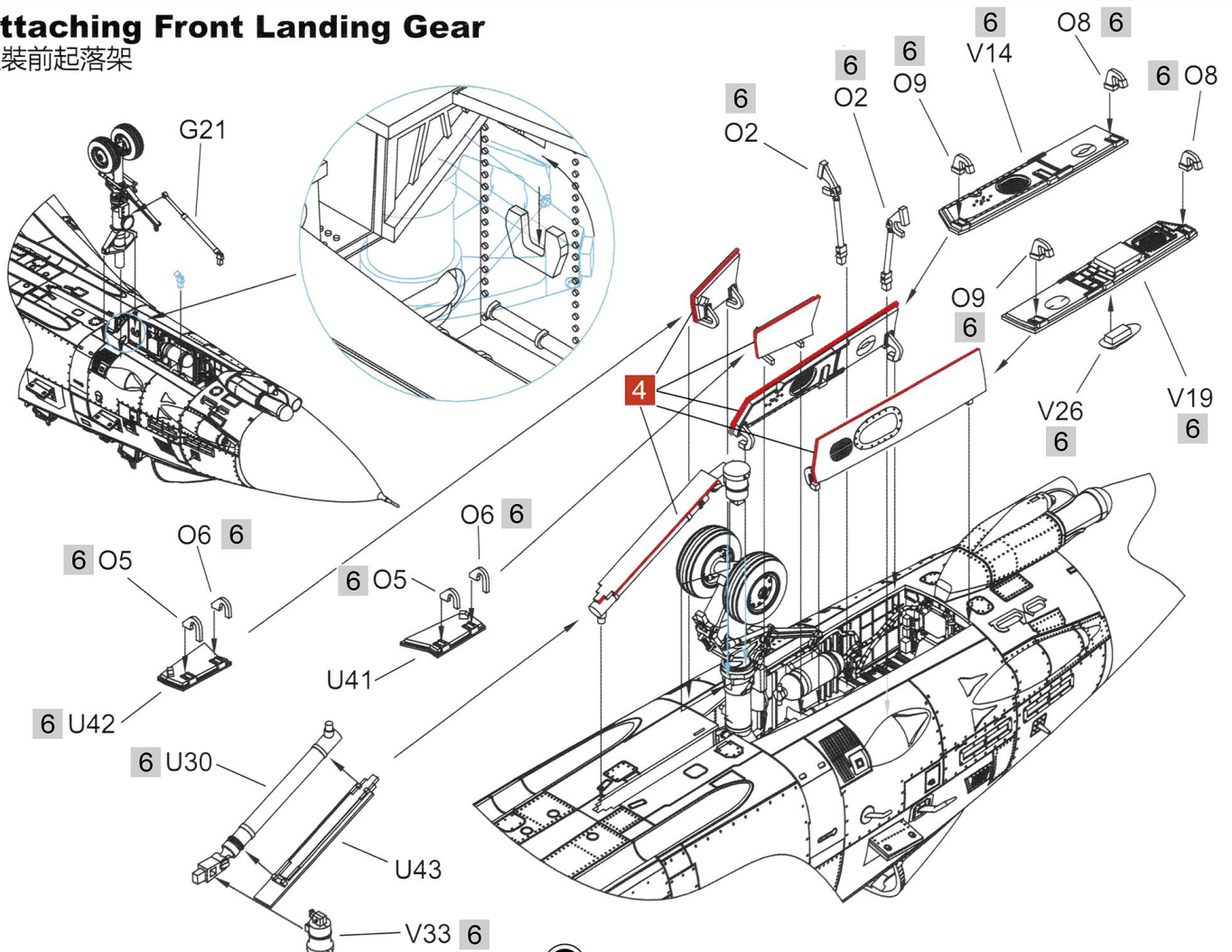
18 Front Landing Gear 前起落架



19 Main Landing Gears 主起落架

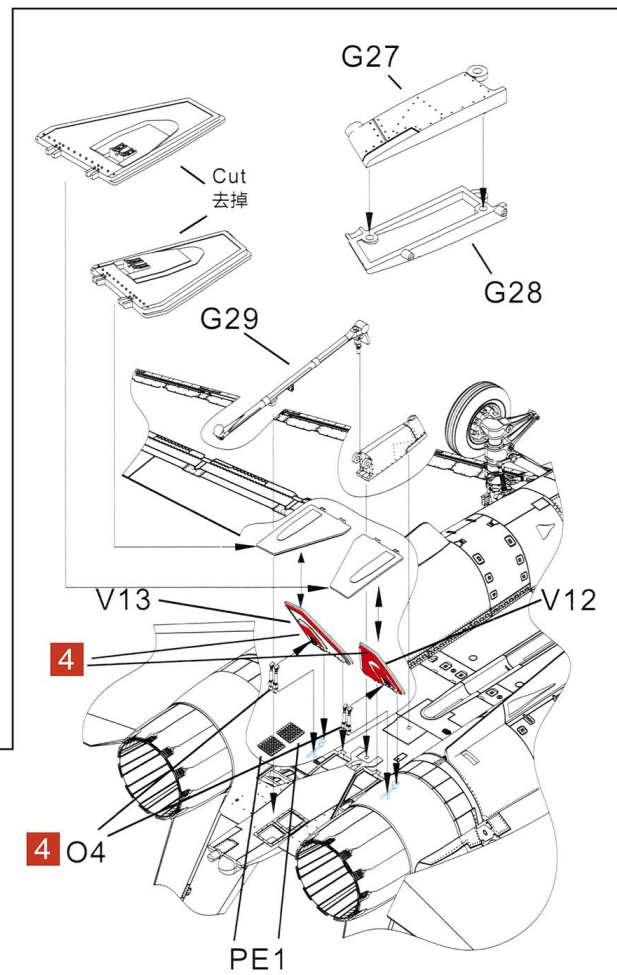
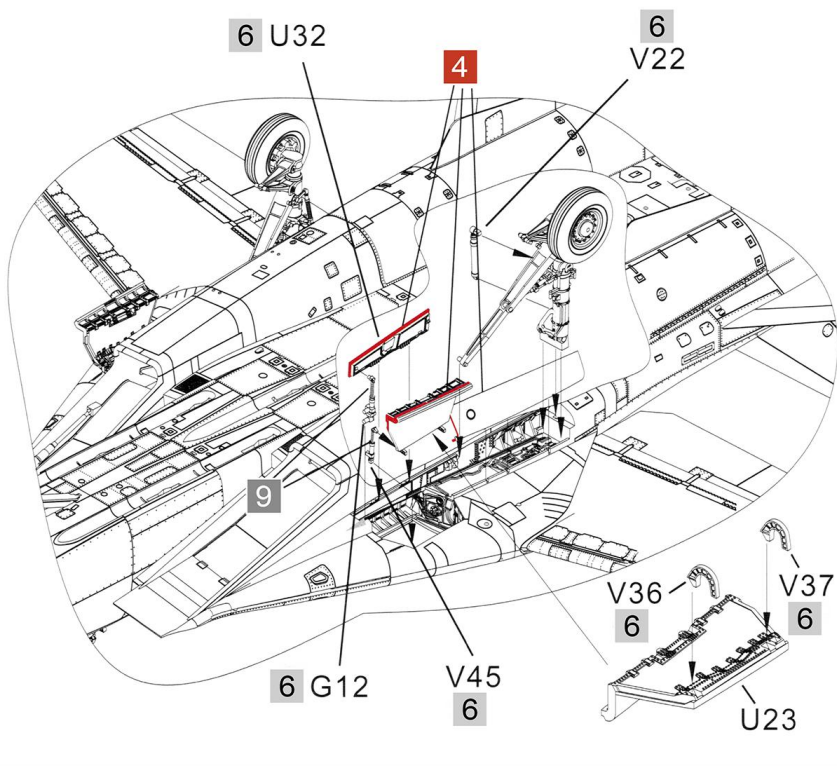
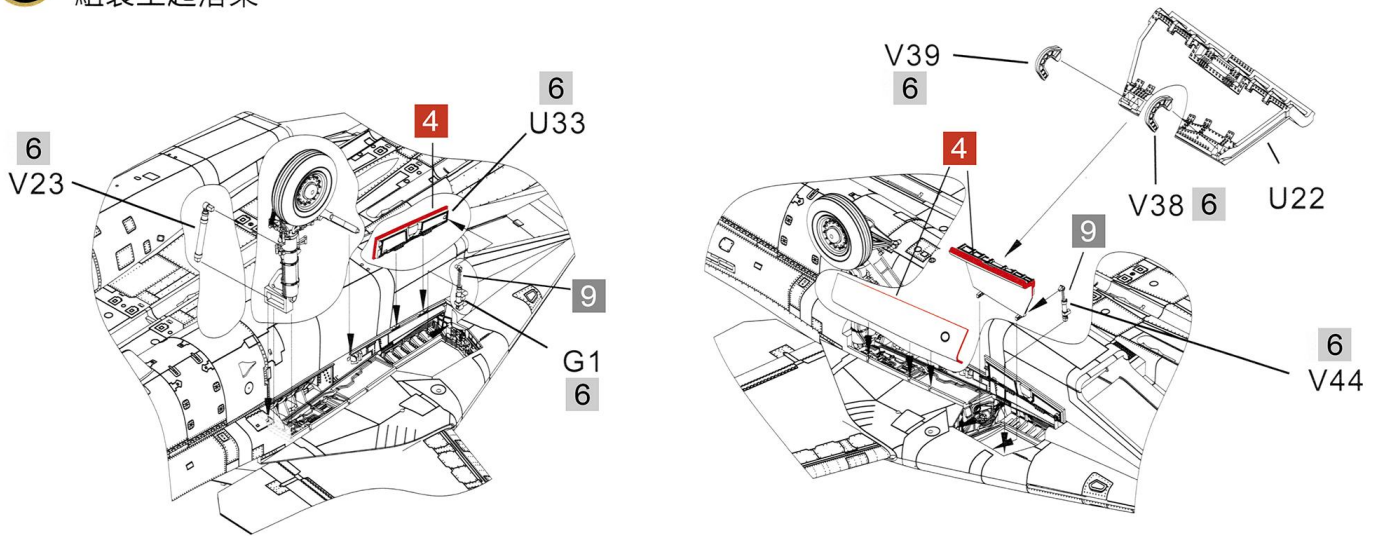


20 Attaching Front Landing Gear 組裝前起落架



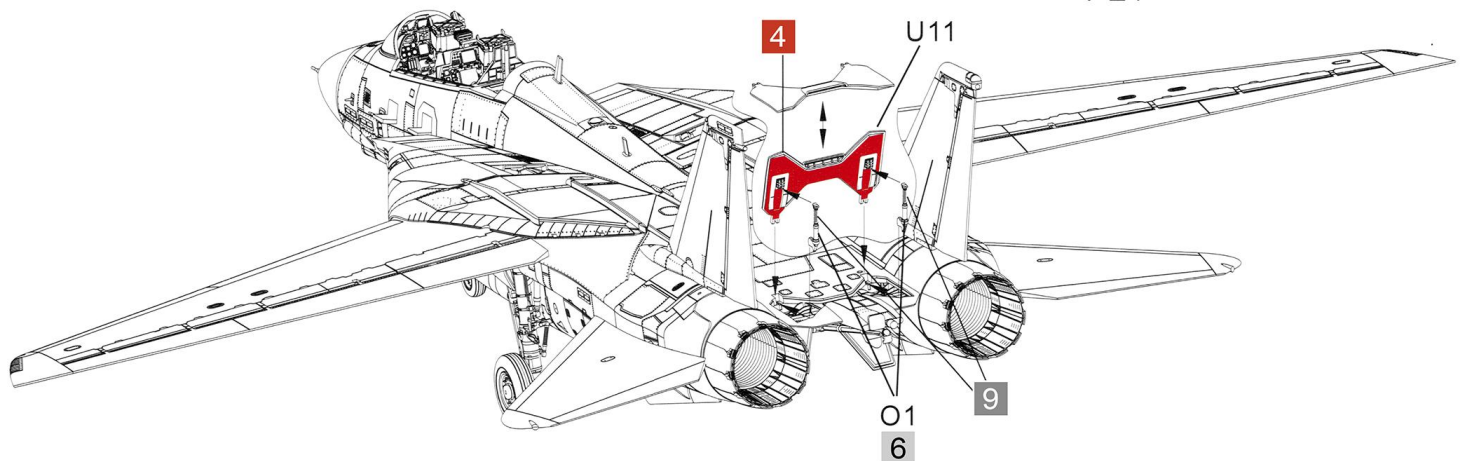
21 Attaching Main Landing Gears

組裝主起落架

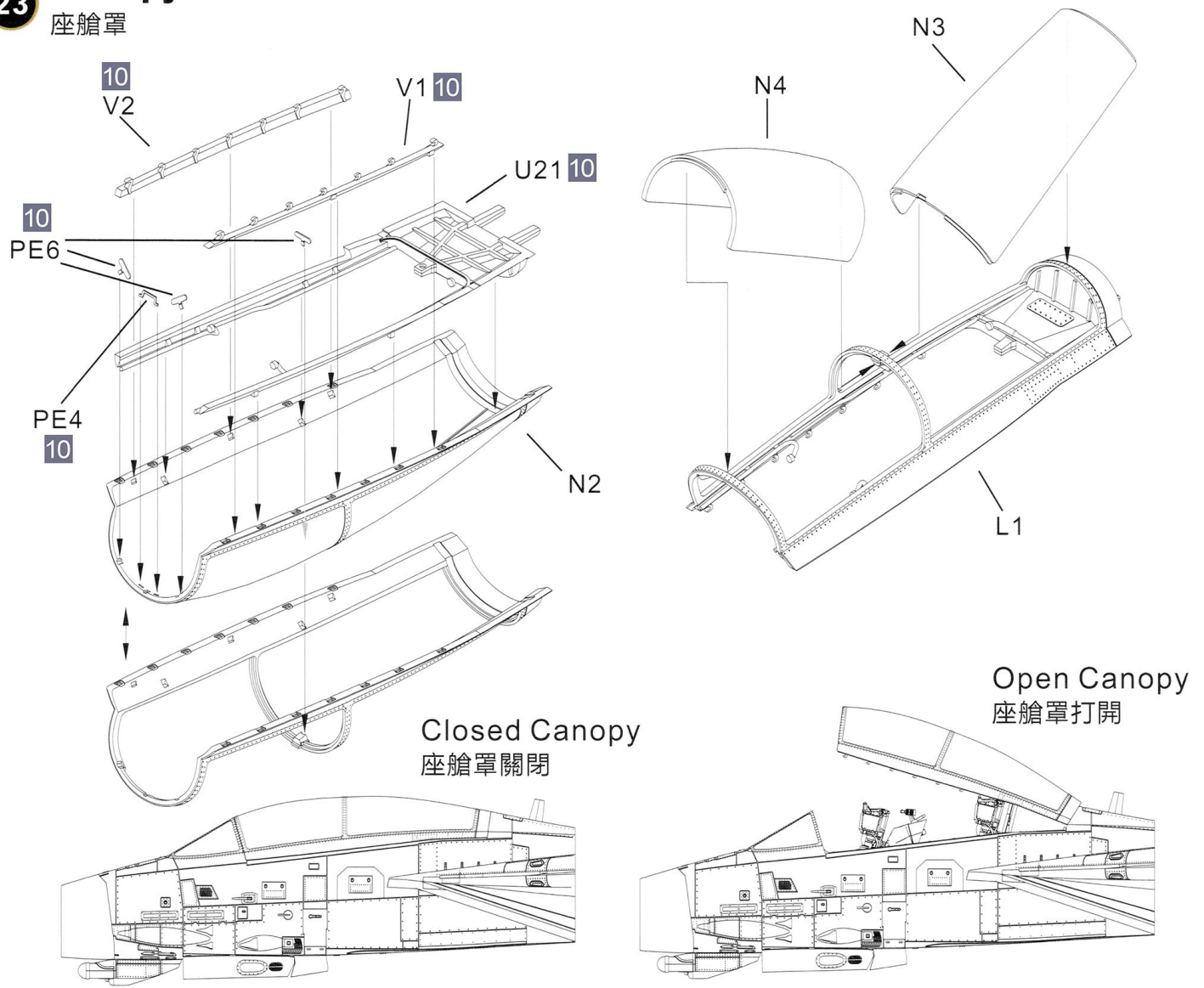


22 Attaching Air Brakes

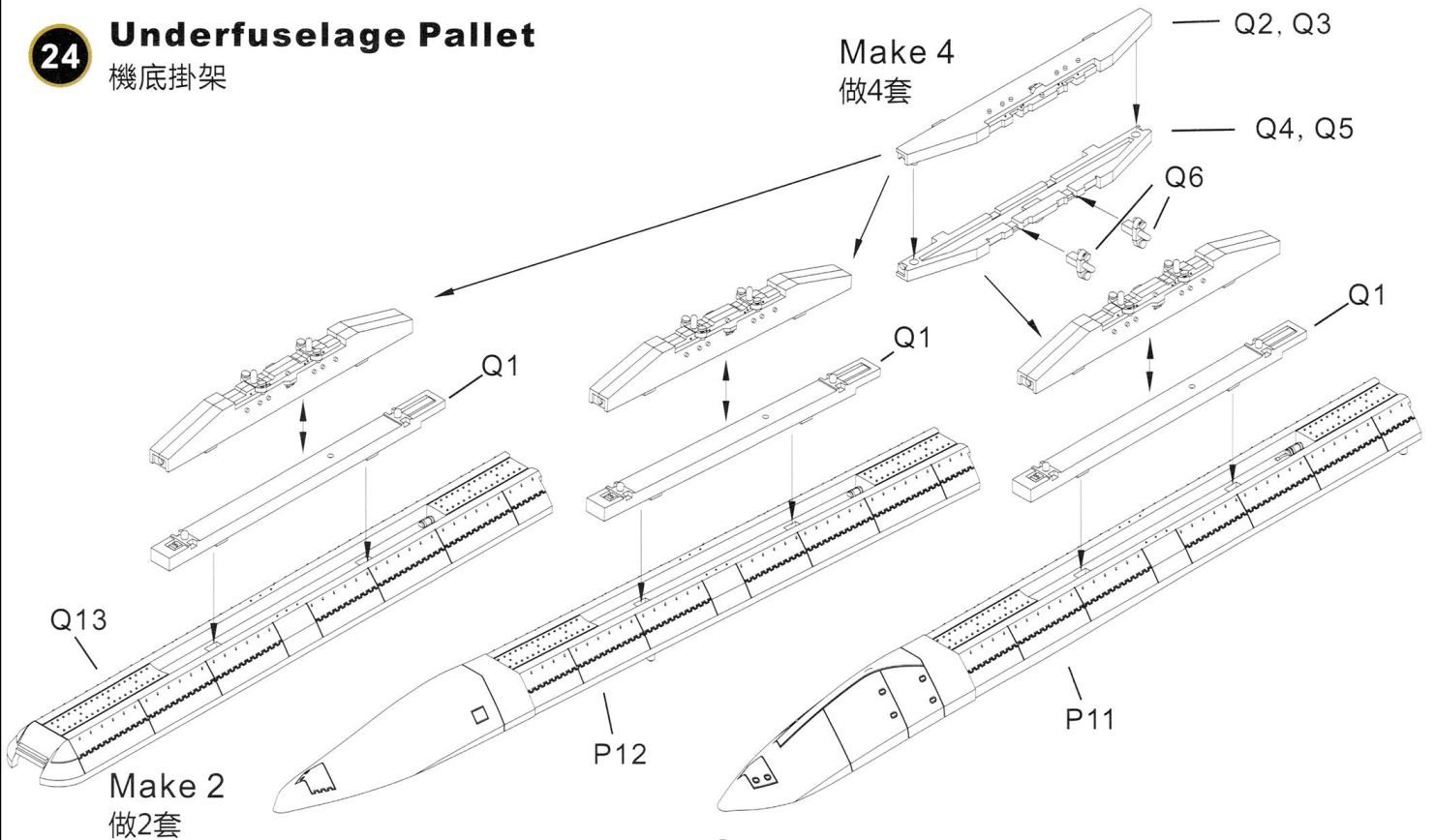
組裝減速板



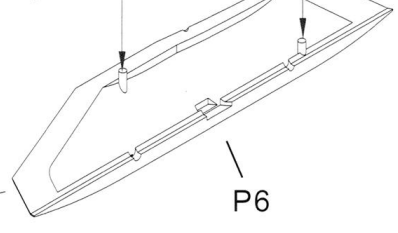
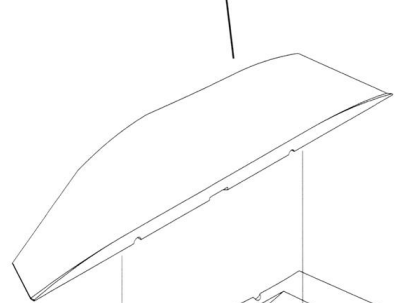
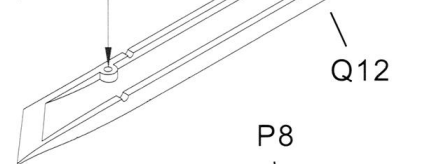
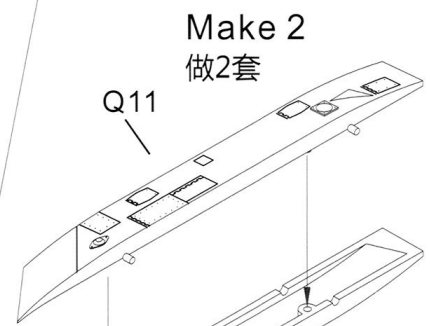
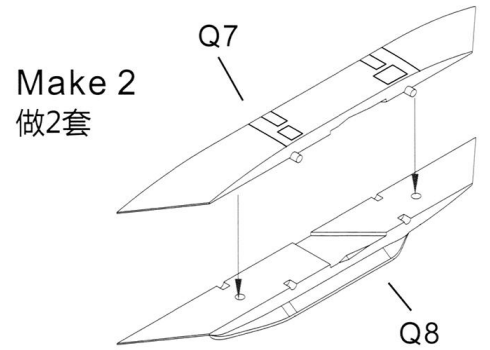
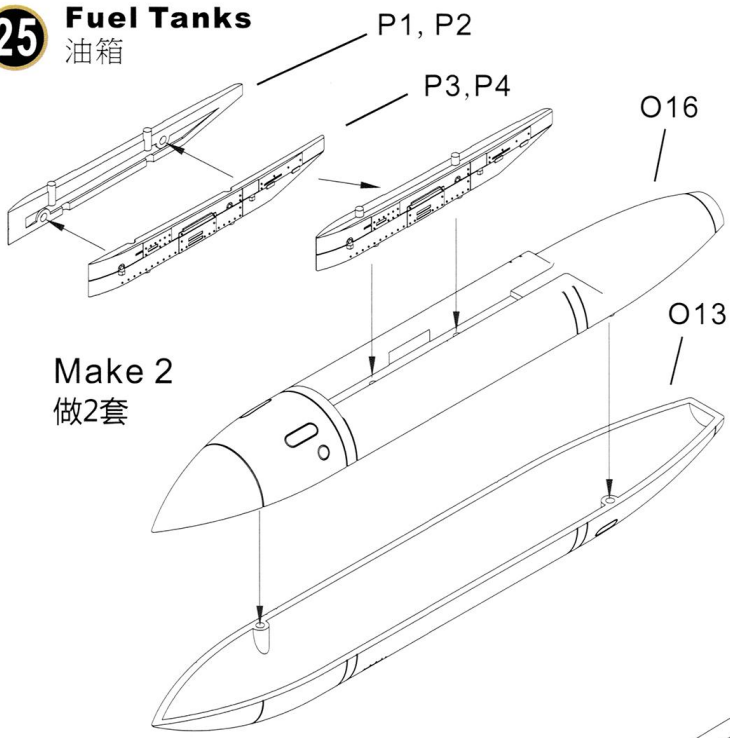
23 Canopy
座艙罩



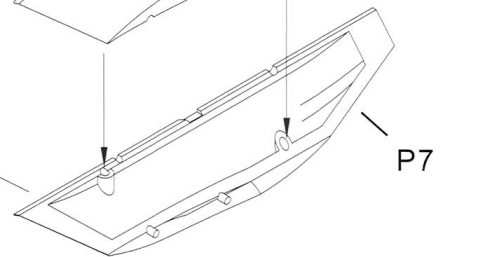
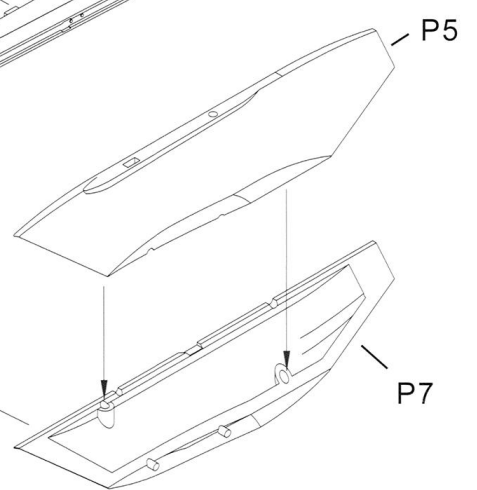
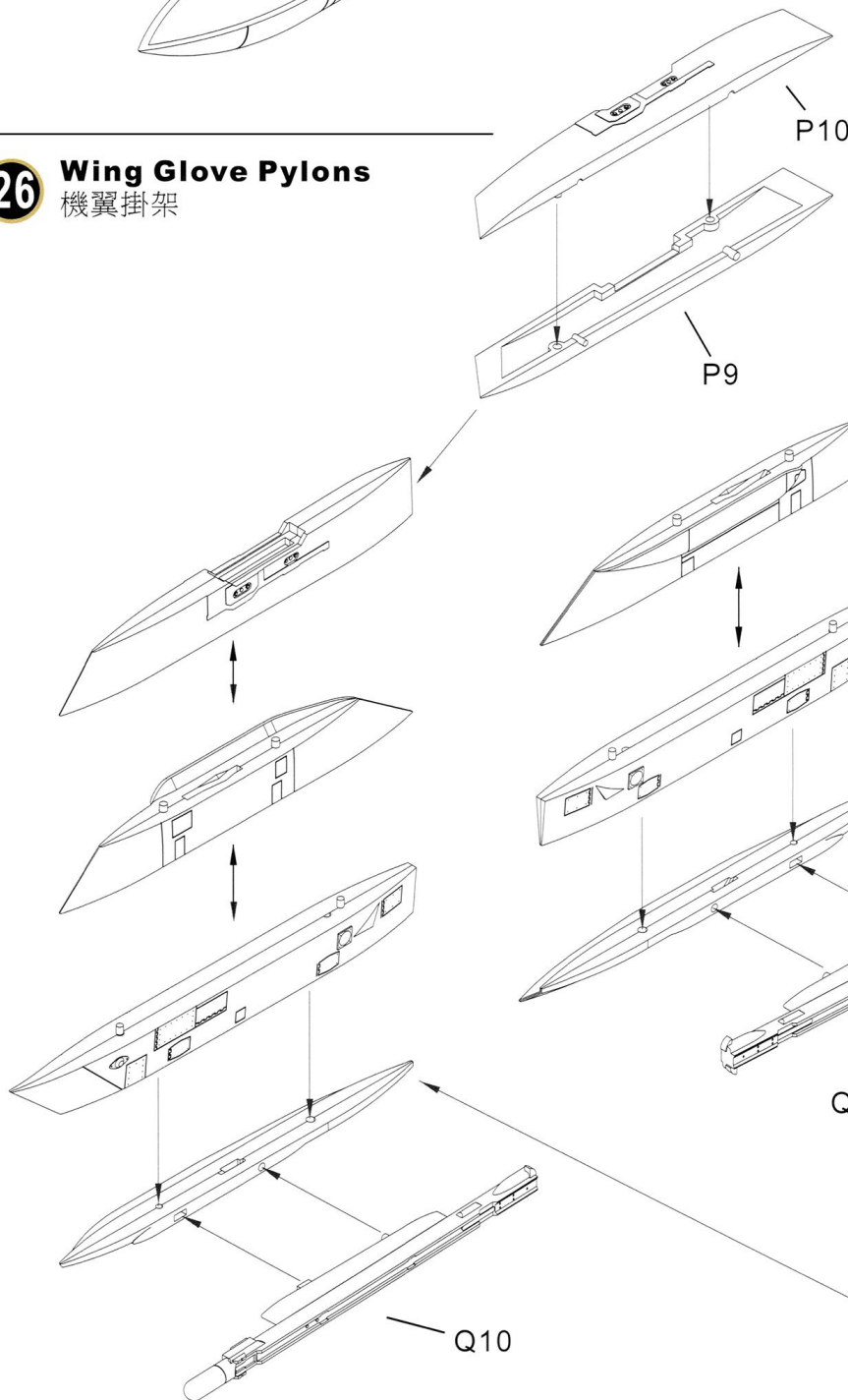
24 Underfuselage Pallet
機底掛架



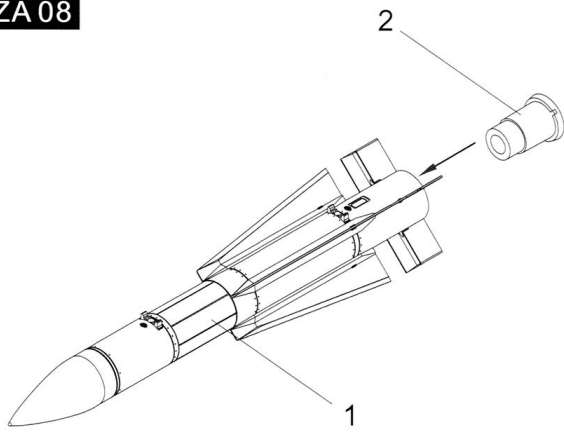
25 Fuel Tanks
油箱



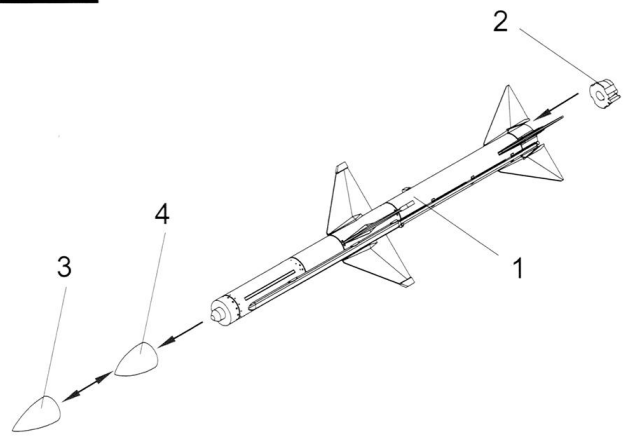
26 Wing Glove Pyllons
機翼掛架



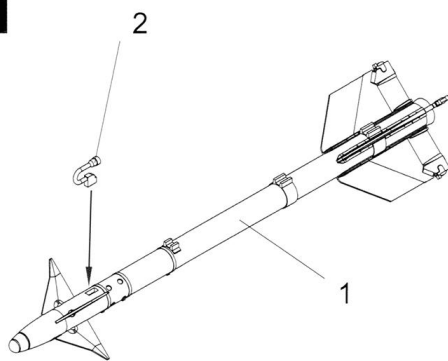
ZA 08



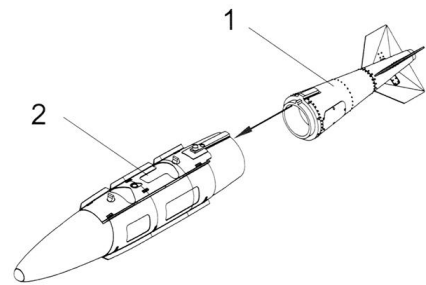
ZA 09



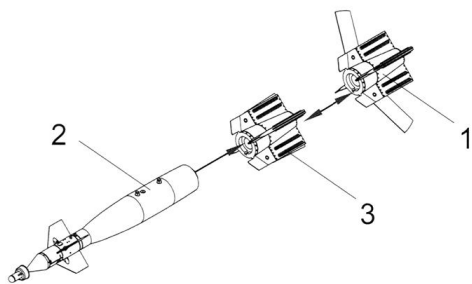
ZA 10



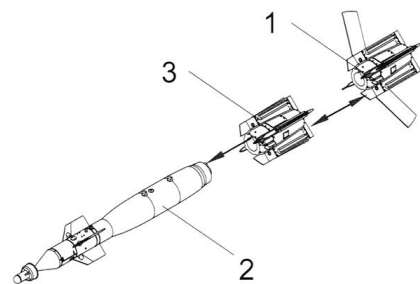
ZA 11



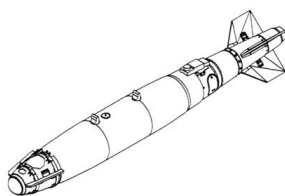
ZA 12



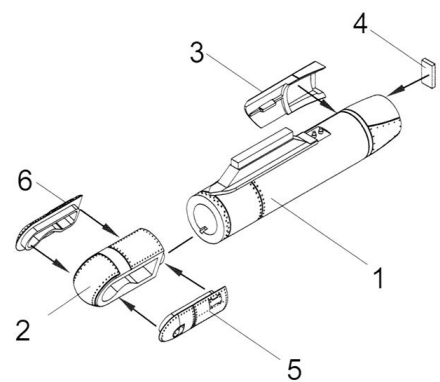
ZA 13



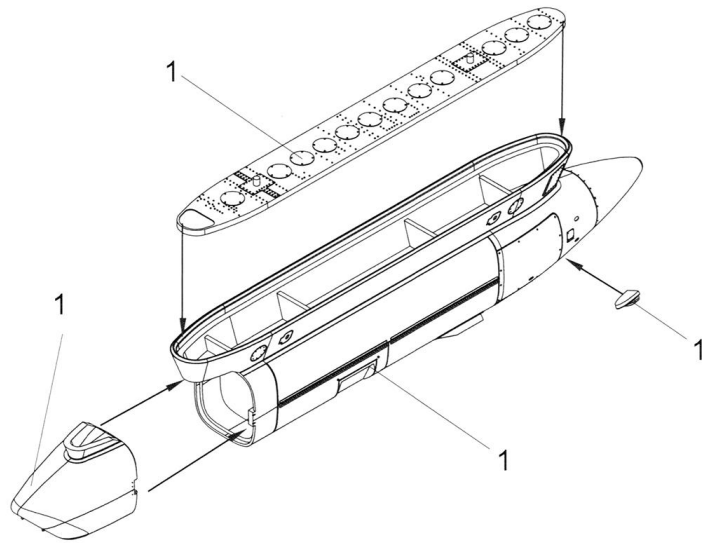
ZA 14



ZA 16

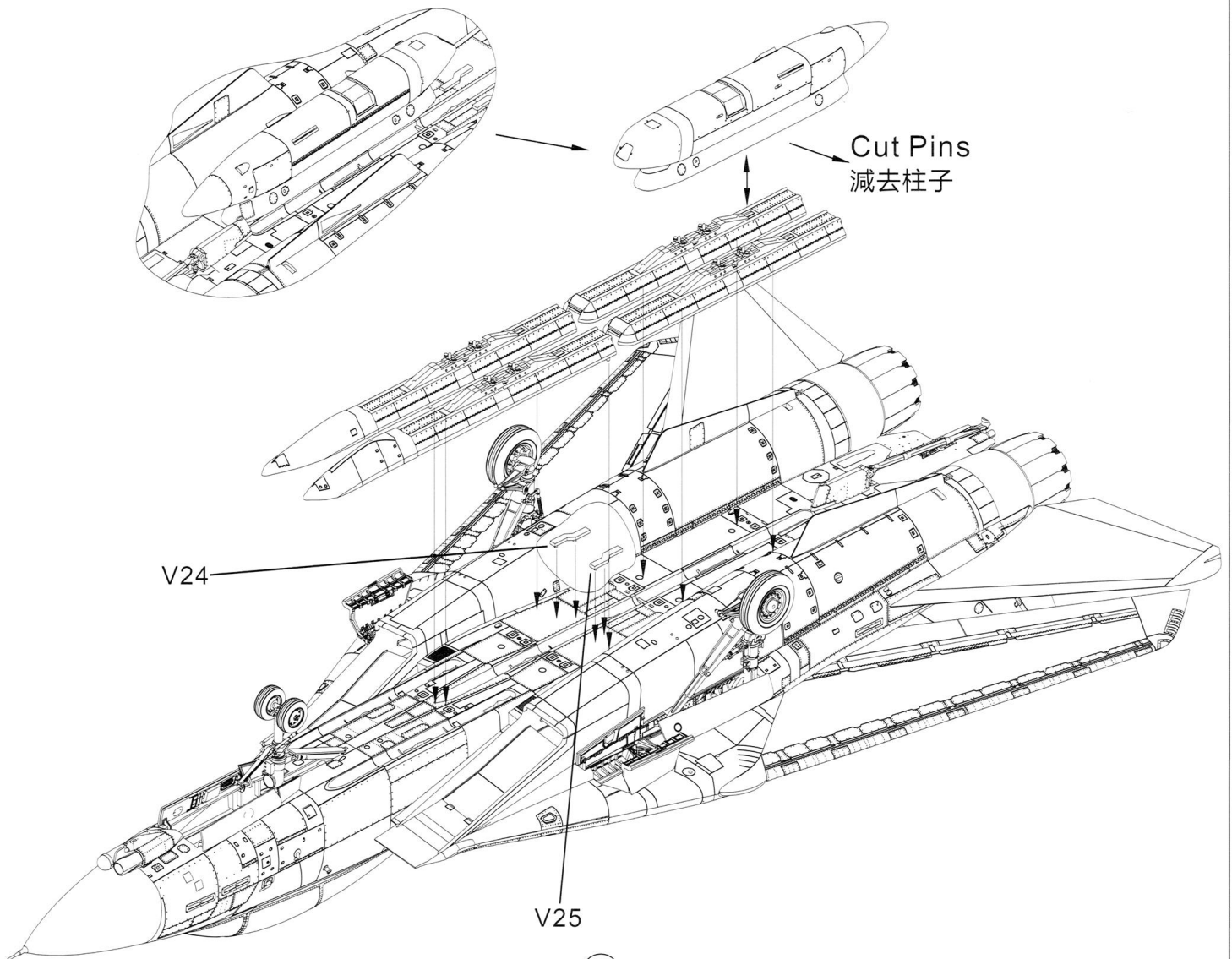


ZA 15



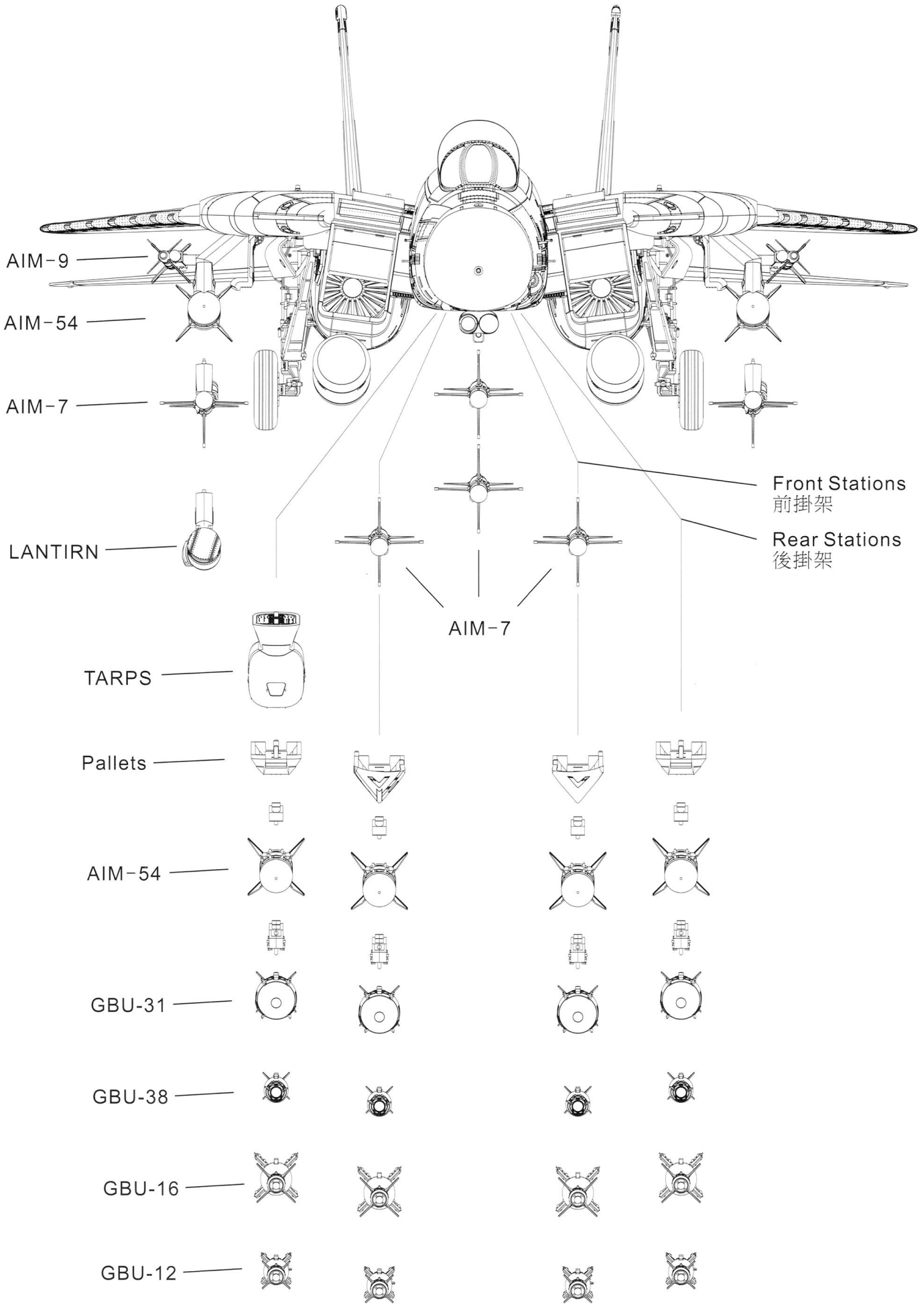
Attaching Underfuselage Pallet or Tarps

組裝機底掛架或電子吊艙



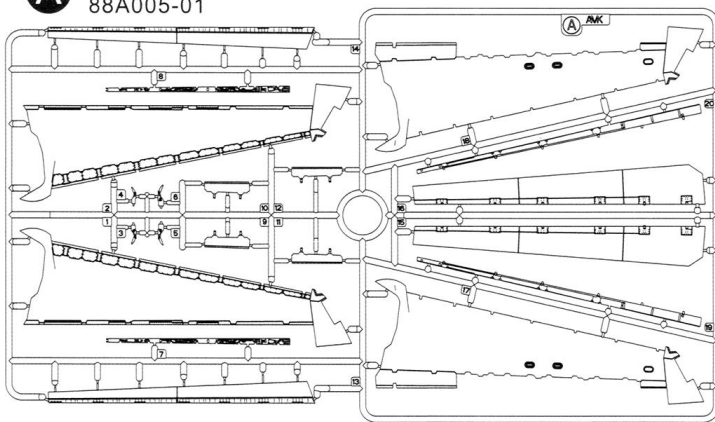
Weapon Loading

武器掛載

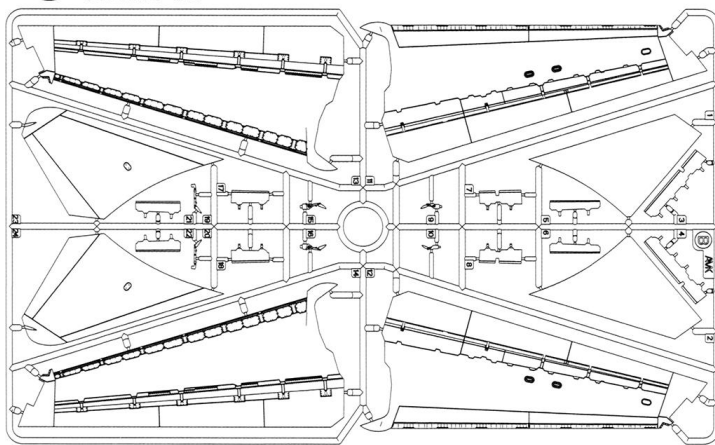


PARTS

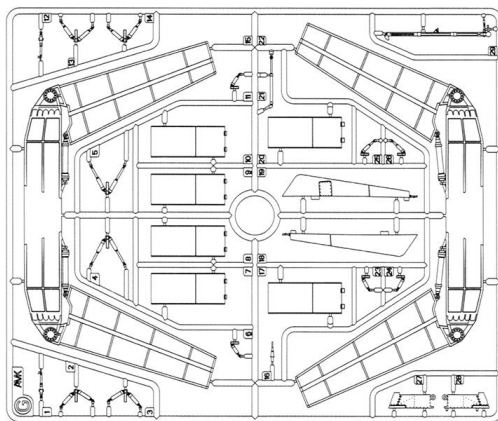
A PARTS X1
88A005-01



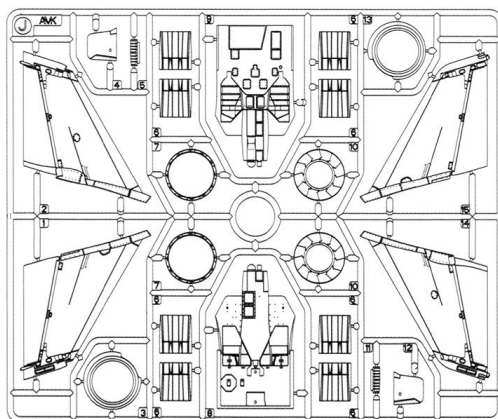
B PARTS X1
88A005-02



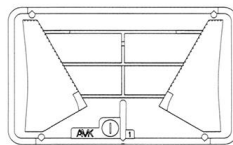
G PARTS X1
88A005-07



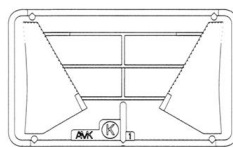
J PARTS X1
88A005-10



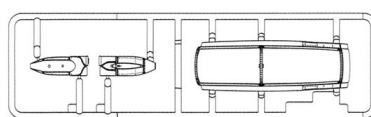
K PARTS X1
88A005-11



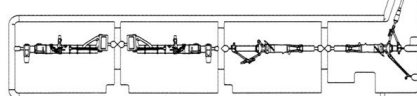
I PARTS X1
88A005-09



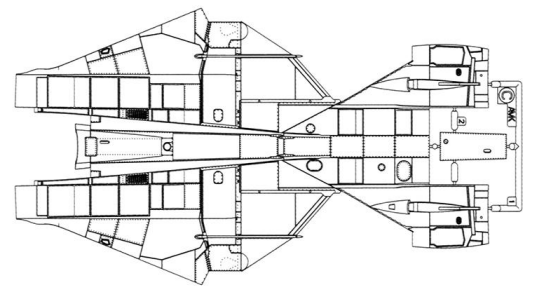
L PARTS X1
88A005-12



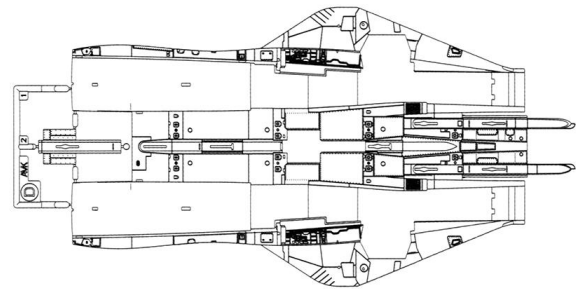
M PARTS X1
88A005-13



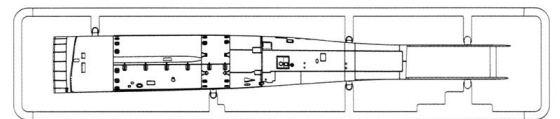
C PARTS X1
88A005-03



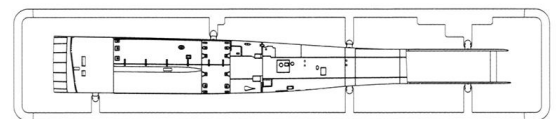
D PARTS X1
88A005-04



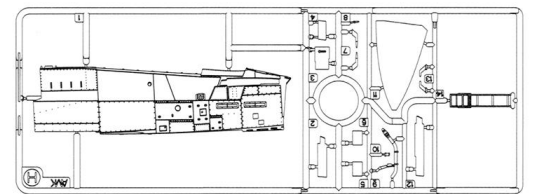
E PARTS X1
88A005-05



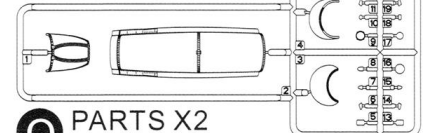
F PARTS X1
88A005-06



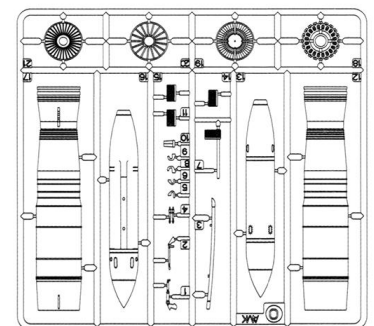
H PARTS X1
88A005-08



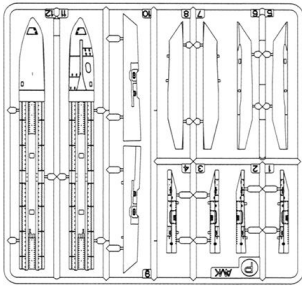
N PARTS X1
88A005-14



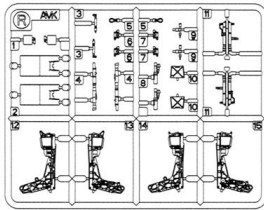
O PARTS X2
88A005-15



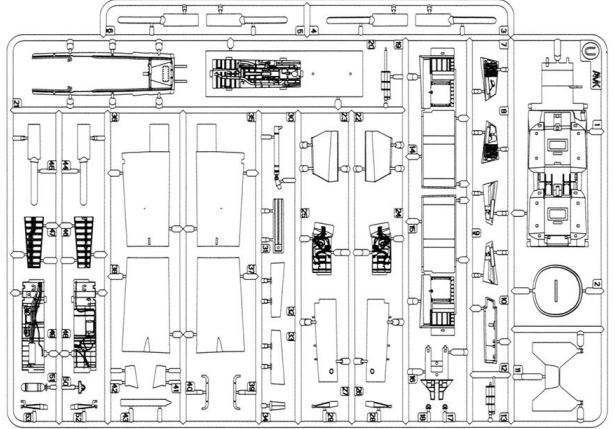
P PARTS X1
88A005-16



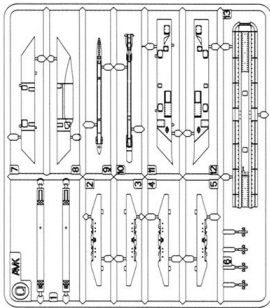
R PARTS X1
88A005-18



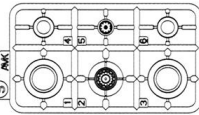
U PARTS X1
88A005-21



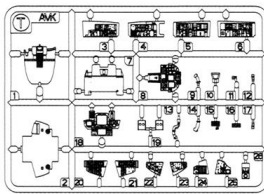
Q PARTS X2
88A005-17



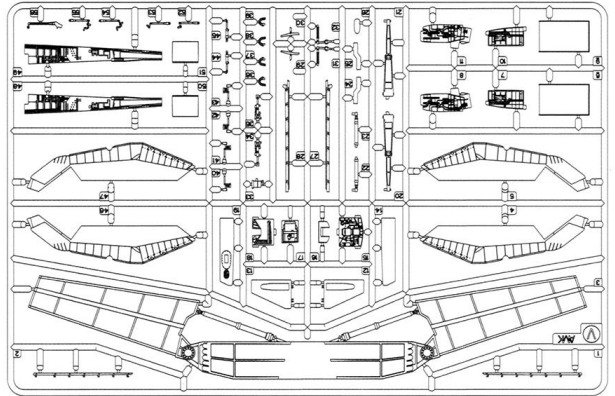
S PARTS X2
88A005-19



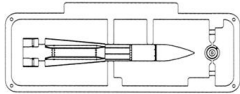
T PARTS X1
88A005-20



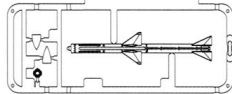
V PARTS X1
88A005-22



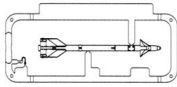
ZA 08 PARTS X4
99608



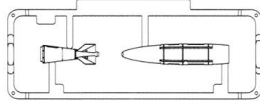
ZA 07 PARTS X4
99609



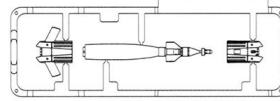
ZA 10 PARTS X4
99610



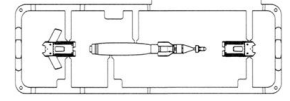
ZA 11 PARTS X4
99611



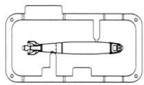
ZA 12 PARTS X4
99612



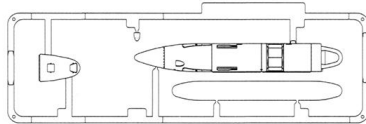
ZA 13 PARTS X4
99613



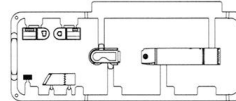
ZA 14 PARTS X4
99614



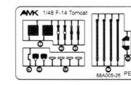
ZA 15 PARTS X1
99615



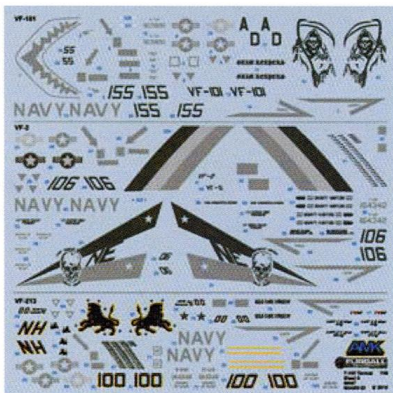
ZA 16 PARTS X1
99616



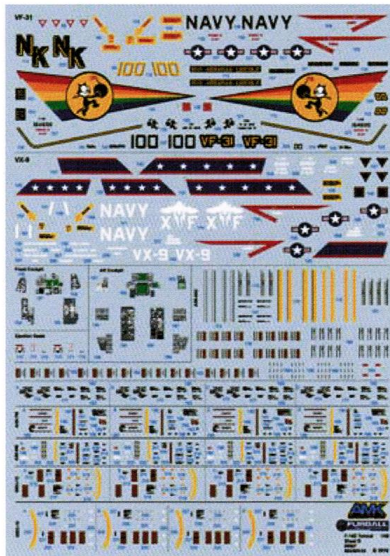
PARTS X1
88A005-26



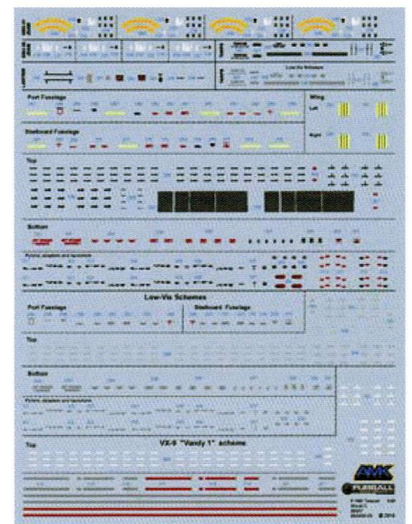
PARTS X1
88A005-23

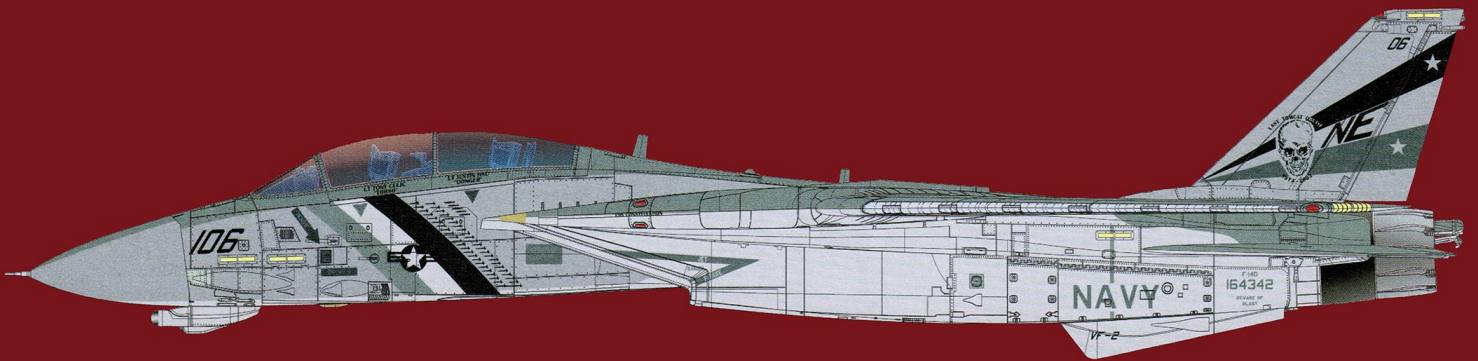


PARTS X1
88A005-24



PARTS X1
88A005-25





AvantgardeModelKits(AMK)Co.,Ltd.

www.amkhobby.com

 AvantgardeModelKits



MADE IN CHINA
© Copyrigh 2019, AMK



F-14D
Super Tomcat
1/48 SCALE

