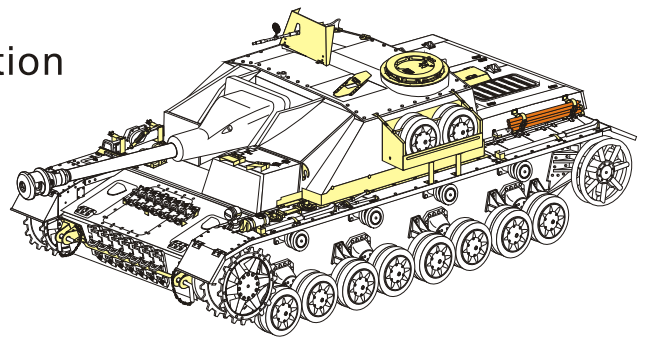


1/35 MILITARY MINIATURE VEHICLE UPGRADE SERIES PE351204

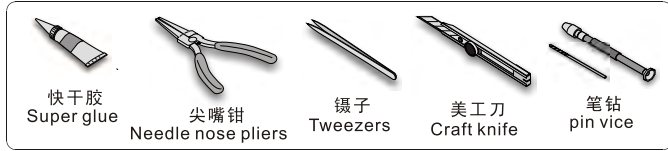
# WWII German StuG.IV Early Production

## 二战德军IV号突击炮早期型改造件

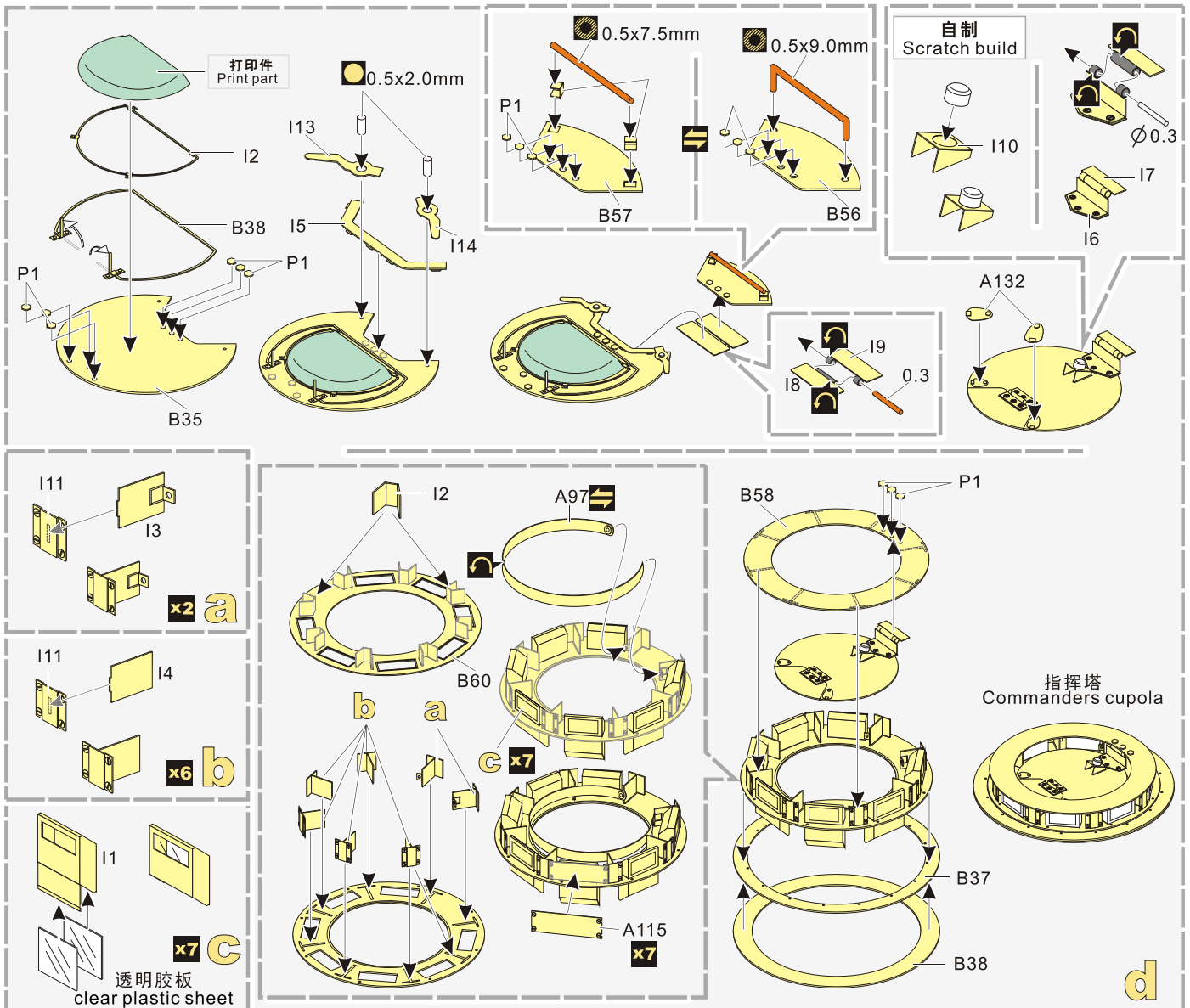
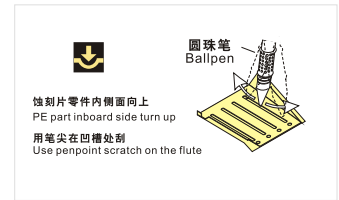
[For RFM 5060]



■ 推荐使用工具 RECOMMENDED TOOLS



- 安装  
install
- 折叠  
bend
- A1**  
改造件零件编号  
PE/resin part number
- B12**  
原零件编号  
kit part number
- C22**  
被替换的原零件编号  
replaced kit part number
- x2**  
制作若干组  
multiple assembly
- 弧度卷曲  
radial bending
- 选择安装  
alternative
- 切除  
remove
- 钻孔  
drill
- 注意  
caution
- 另一侧相同制作  
repeat on opposite side
- 用尖端在凹槽处冲压  
use penpoint to press on the dent
- 打磨  
grind off
- 填补  
fill
- 用铜管制作  
make from brass tube
- 用胶棒制作  
make from plastic rod



1/35 MILITARY MINIATURE VEHICLE UPGRADE SERIES PE351204

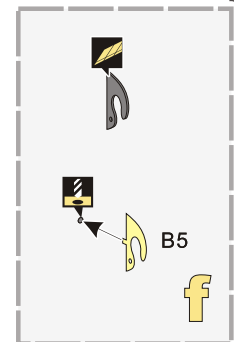
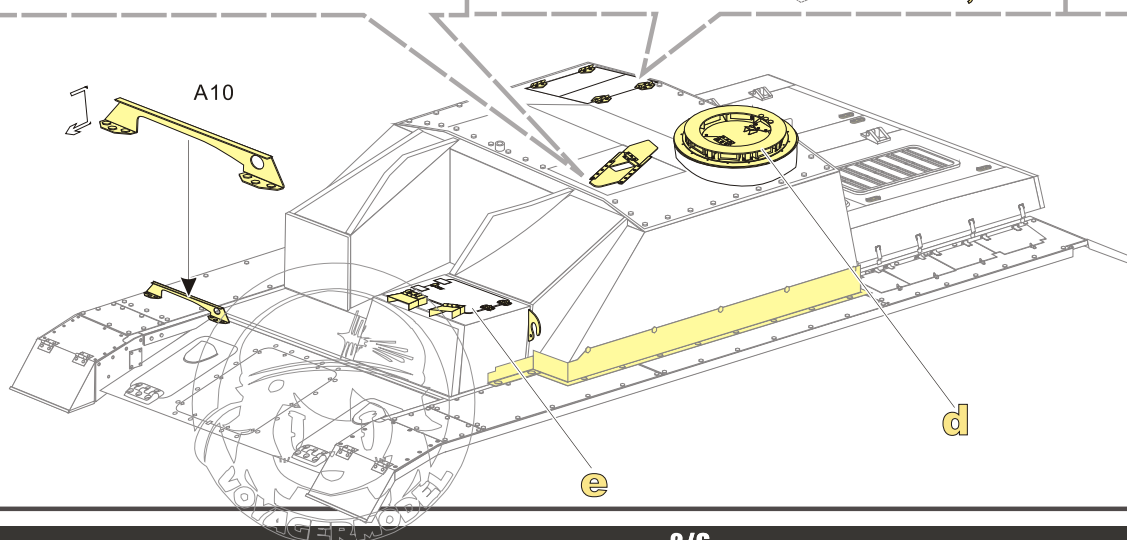
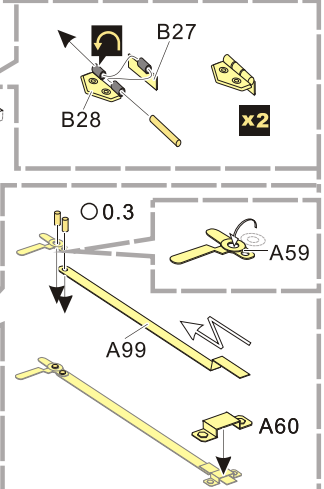
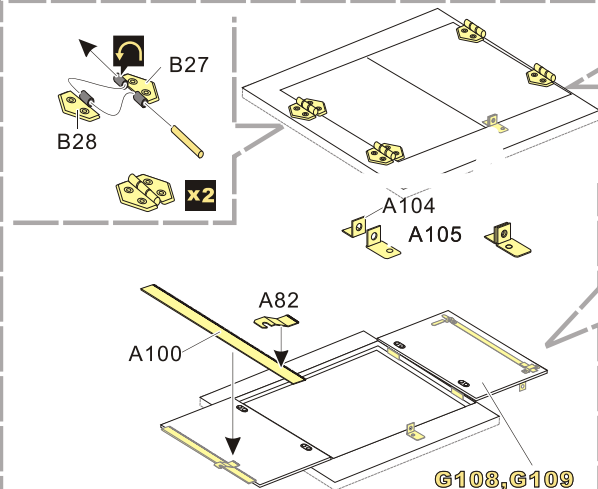
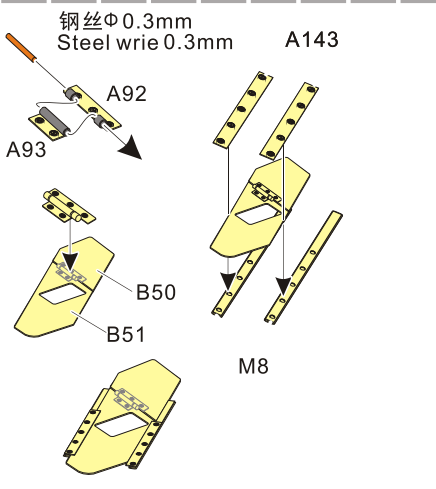
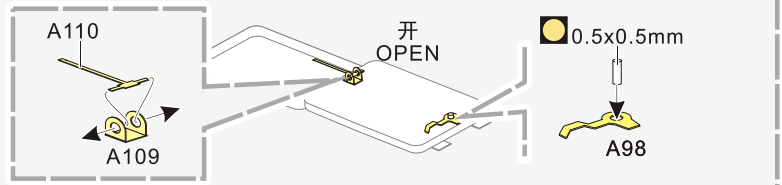
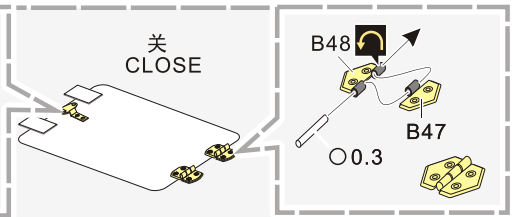
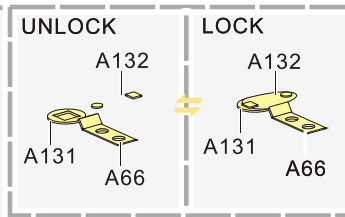
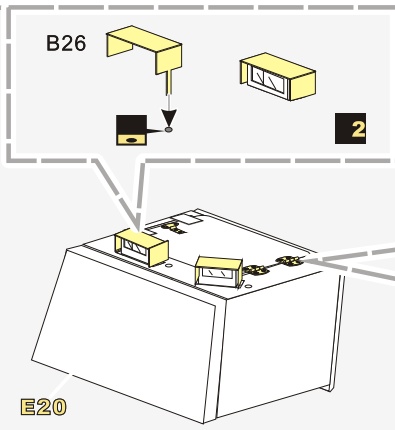
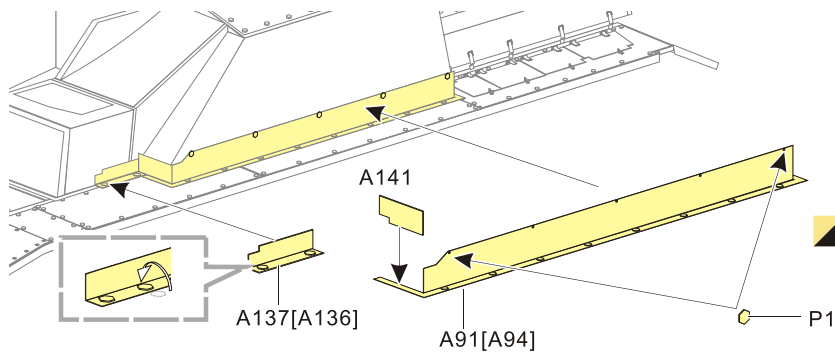
[Http://www.voyagermodel.com/productdetails.asp?itemid=PE351204](http://www.voyagermodel.com/productdetails.asp?itemid=PE351204)



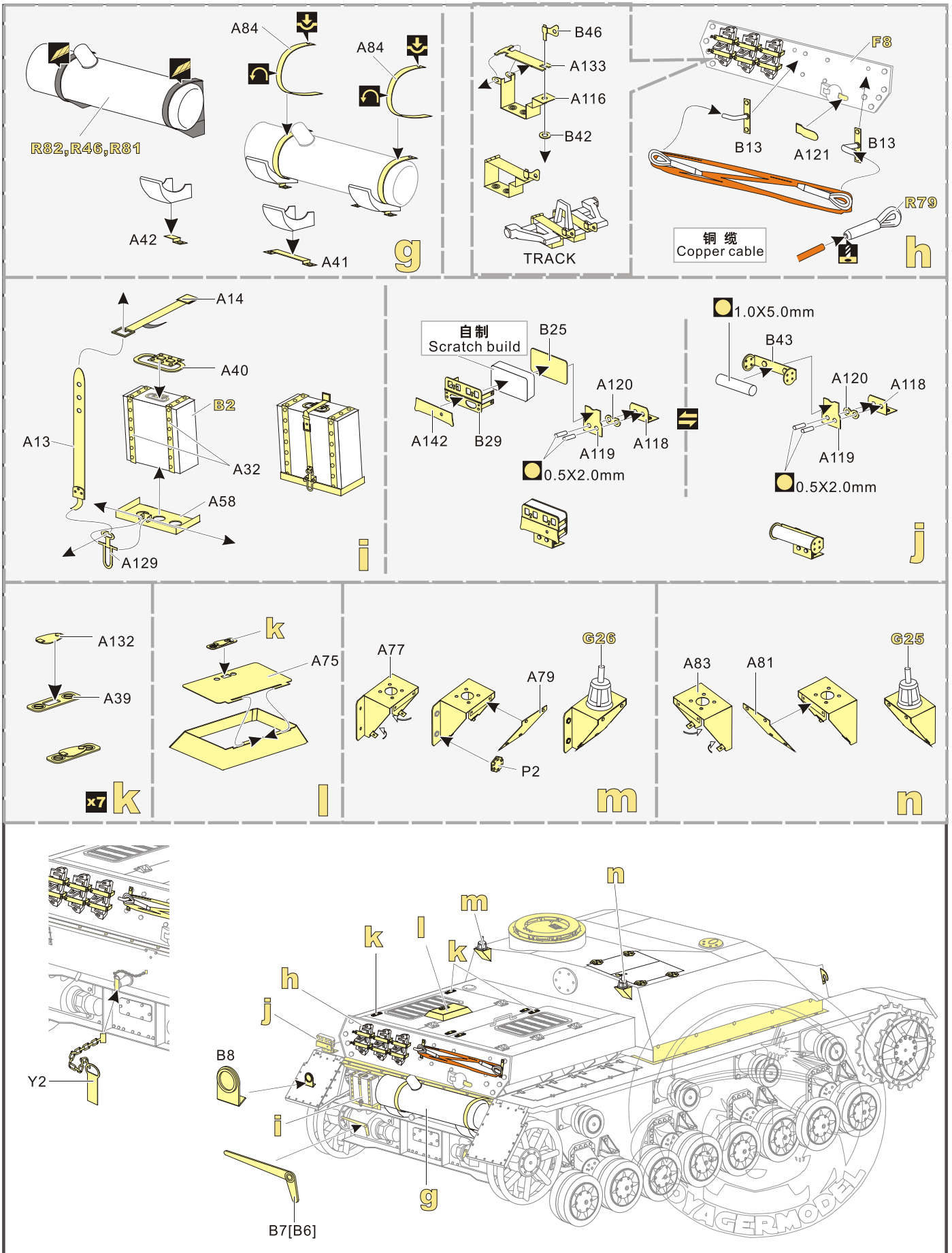
**VOYAGER  
MODEL**



更多PE351204样品照片参考请扫一扫  
MORE PICTUER OF PE 351204  
REFERENCE SCAN HERE



1/35 MILITARY MINIATURE VEHICLE UPGRADE SERIES PE351204



1/35 MILITARY MINIATURE VEHICLE UPGRADE SERIES PE351204

**O**

**P**

**Q**

**R**

**S**

**T**

**U**

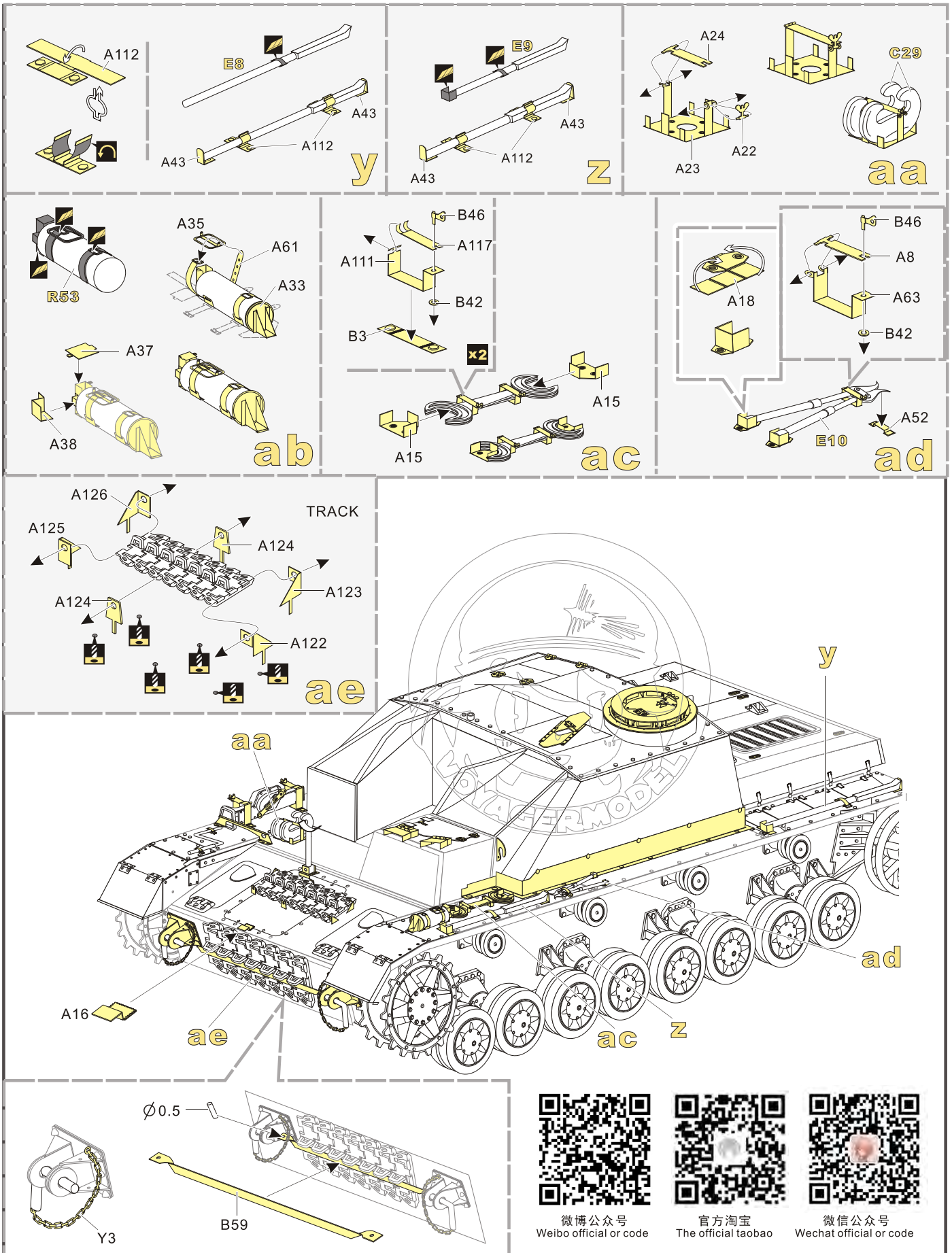
**V**

**W**

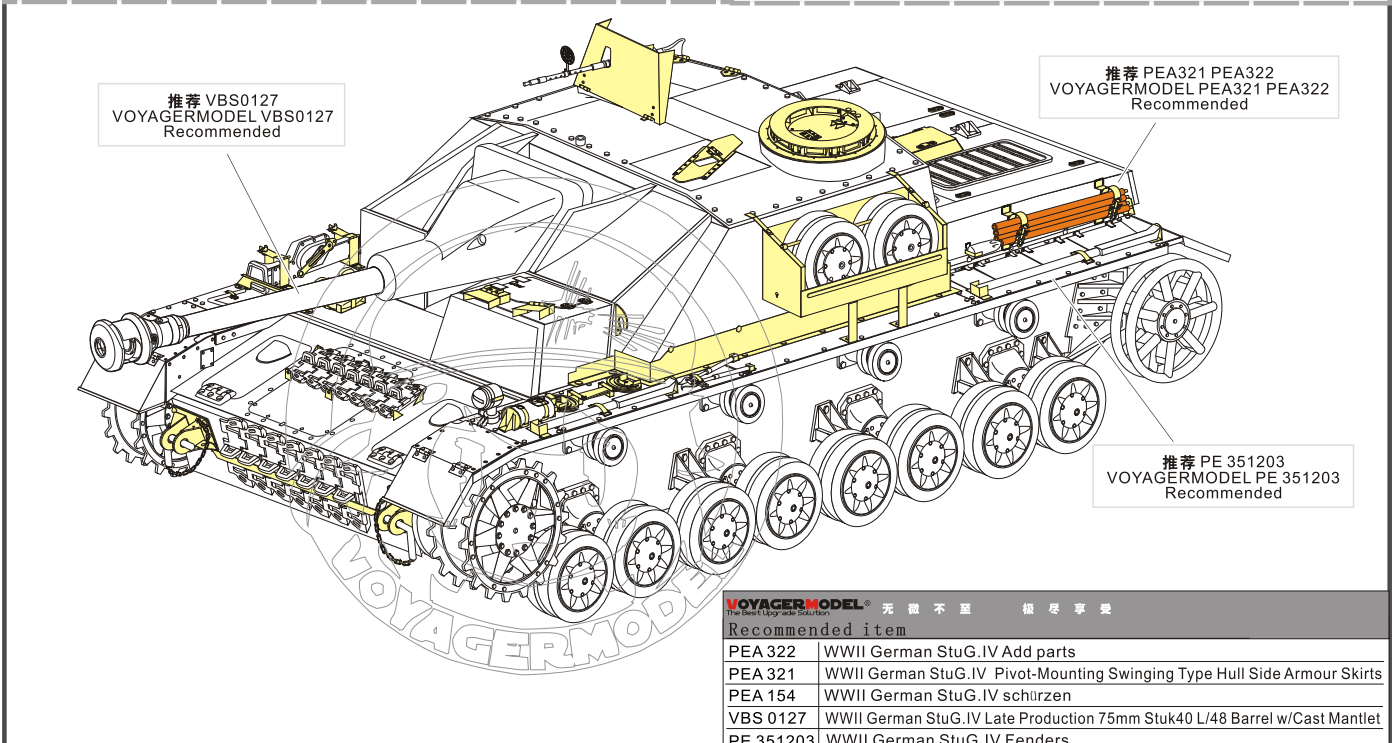
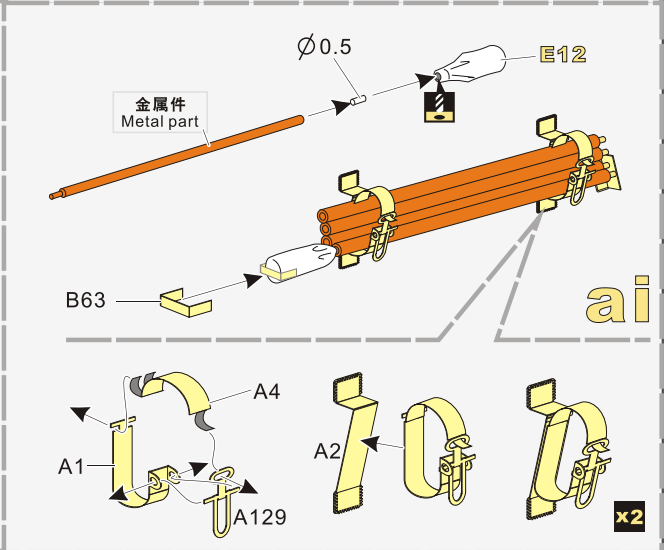
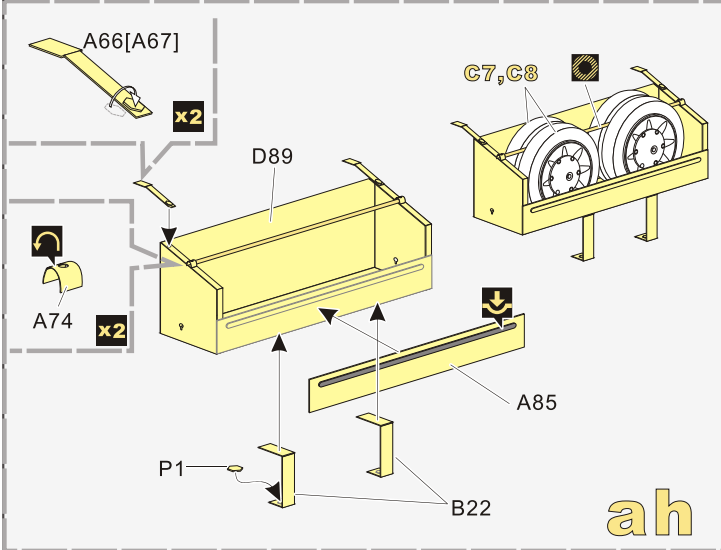
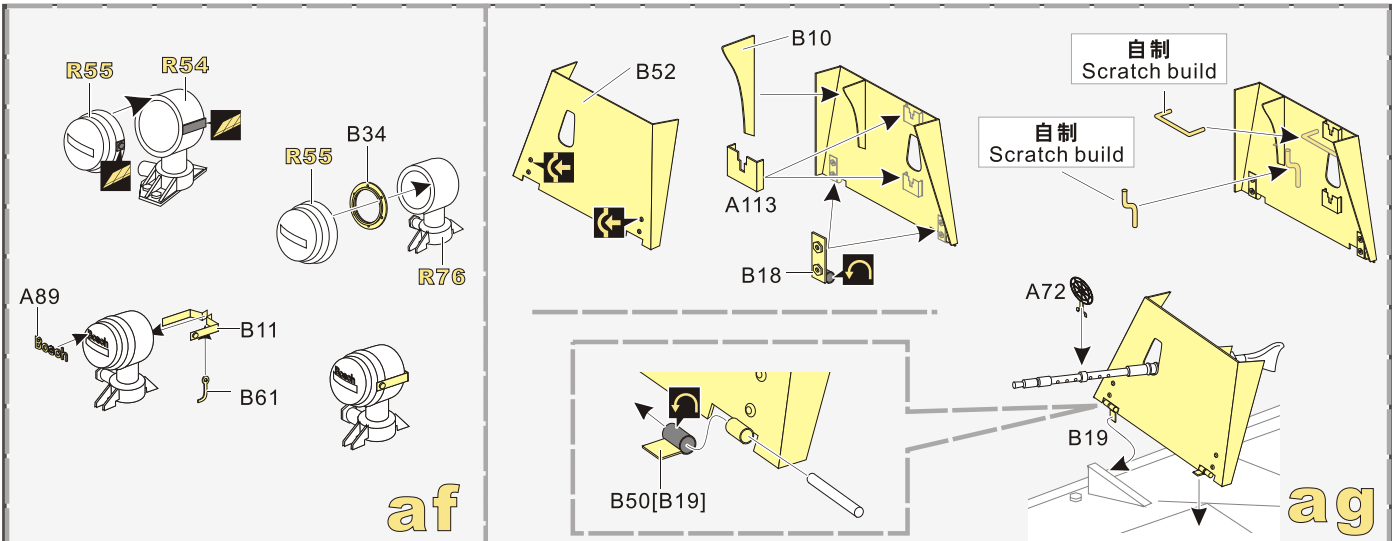
**X**

取自其他套件  
Obtained from other kits

1/35 MILITARY MINIATURE VEHICLE UPGRADE SERIES PE351204



1/35 MILITARY MINIATURE VEHICLE UPGRADE SERIES PE351204



VOYAGERMODEL® 无微不至 畅享升级

The Best Upgrade Solution

Recommended item

PEA 322	WWII German StuG.IV Add parts
PEA 321	WWII German StuG.IV Pivot-Mounting Swinging Type Hull Side Armour Skirts
PEA 154	WWII German StuG.IV schürzen
VBS 0127	WWII German StuG.IV Late Production 75mm Stuk40 L/48 Barrel w/Cast Mantlet
PE 351203	WWII German StuG.IV Fenders