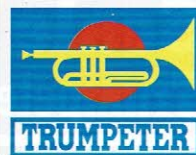


1/35 scale 01055

M983A2 HEMTT Tractor with M870A1 Semi-Trailer



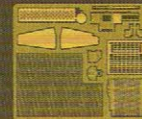
NEW VARIANT!

The M983 is a tractor unit for use with the trailer-mounted MIM-104 Patriot missile system. It can also be used with the Interim Stryker Recovery System, or other trailers. An earlier variant fitted with a 30 KW generator and crane mounted behind the cab was used to tow the MGM-31 Pershing Erector Launcher in CONUS. The M983A2/A4 Light Equipment Transporter (LET) tractor is mainly used to transport construction and engineer equipment. It has a 45,000 lbs. (20,430 kg) 2 speed hydraulic winch mounted behind the cab used to load the trailer. It does not have a self-recovery winch.

The kit consists of 672 parts on 26 sprue, 12 parts photo-etched and 22 tire, rope.

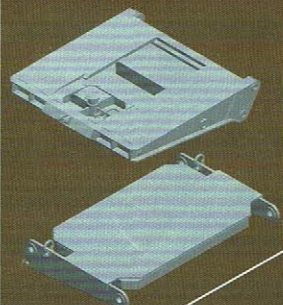


Decal



PE

Detailed anti-skid plate and coupling platform.



Detailed airbrake system, separately molded wheels.

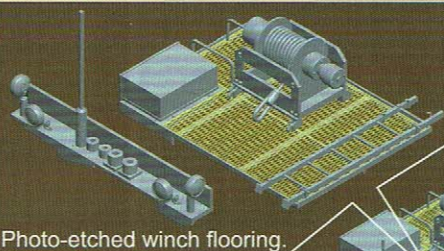
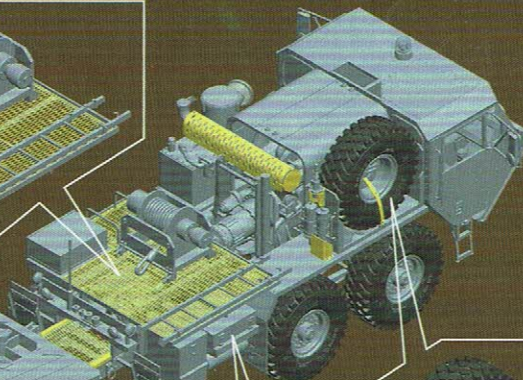


Photo-etched winch flooring.

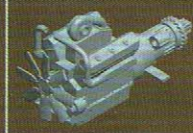


Detailed battery box, air cylinders.



Photo-etched spare tire strap, detailed cylinders.

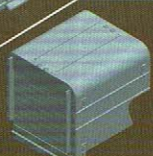
Detailed C15, 15.2-liter, 6-cylinder inline water-cooled.



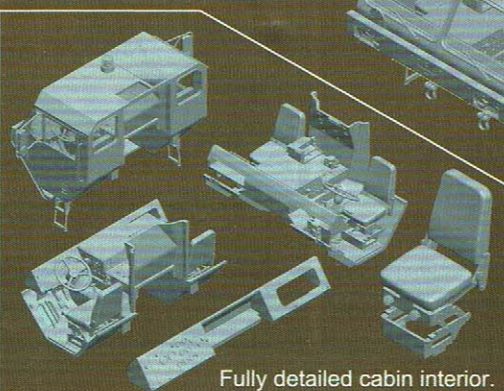
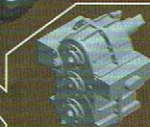
Accurate fifth wheel.



Separately molded engine cover.

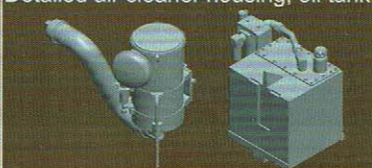


Detailed transference.

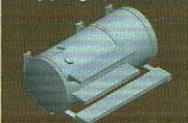


Fully detailed cabin interior.

Detailed air cleaner housing, oil tank.



Separately molded fuel tank with stepping boards.

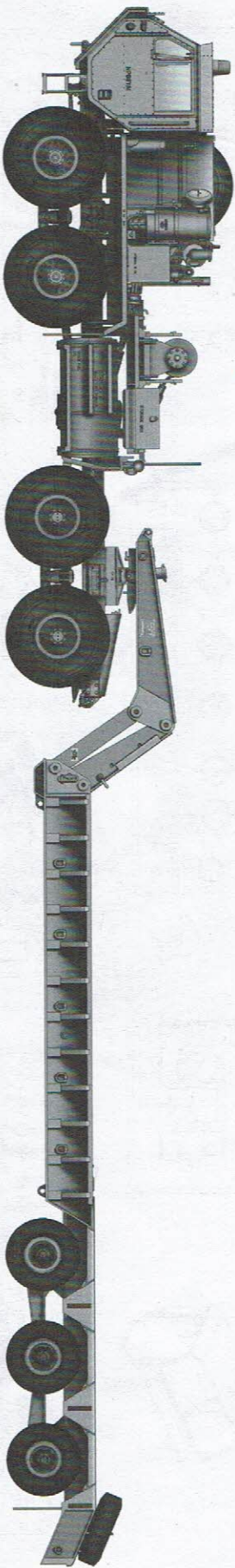


 Trumpeter_Hobbyboss
 Trumpeter_Hobbyboss
 trumpeter&hobbyboss fan club
 小号手模型




1/35 SCALE

ITEM NO.:01055



M983A2 HEMTT Tractor with M870A1 Semi-Trailer

M983A2牵引|M870A1半挂平板车

READ BEFORE ASSEMBLY:

- This kit is not recommended for inexperienced modelers or for children under 14 years of age
- Study and understand these instructions thoroughly before beginning assembly
- When needed, remove photo-etch parts carefully using a modeling knife or photo etch sprue cutter, being careful not to damage or lose small parts.
- Take extra care in handling photo etch parts in order to avoid injury
- Apply instant cement sparingly to photo etch parts where instructed
- Tools recommended(not included in kit):Plastic and instant cements,sprue cutters,long nose pliers,modeling knife, small files, tweezers, pin vise & scissors. Soft cloth and sandpaper will also assist in construction
- Glue and paint are not included in the kit. Use plastic cement and hobby paints only. Color guide for purchasing paint is included in the kit.
- Keep out of reach of children. They must not be allowed to ingest small parts or handle plastic bags in any way.

装配之前仔细阅读

- 小心用模型锉刀锉平所有零件表面的注射浇口。
- 小心用刀片切下蚀刻片零件，不要遗失小零件。
- 用强力快干胶水粘合蚀刻片零件和金属轴。过量的快干胶水使用可能导致可动零件会粘住，小心涂胶。
- 取蚀刻片时应特别注意安全，防止利边划伤手指。
- 某些零件表面需贴水上贴纸，请选择在装配的同时进行。
- 推荐模型工具(自备)：胶水、水口剪刀、长咀钳、刀片、镊子、钳、剪刀、瞬间快干胶。
- 软布同砂纸同时也应该是必备工具。
- 请使用塑料胶水和油漆。模型内不含。
- 谨防小孩吮吸塑料零件，或者将塑料袋套在头上。制作时应将套材远离小孩接触。
- 本产品不适合14岁以下没有经验的模型爱好者。

DECAL APPLICATION:

1. Cut decals from sheet as needed
2. Dip the decal in warm water for about 10 seconds and then place on soft clean cloth.
3. Hold the decal backing sheet edge and gently slide the decal onto the model in its proper position.
4. While still wet, decal can be adjusted for better fit on model by dampening it gently with your finger.
5. When placed in the proper position, gently press decal down with a soft cloth until excess water and air bubbles are gone.
6. Allow decal to dry completely before handling model

水贴纸的使用:

- 1.从水贴纸剪下印花;
- 2.将印花放入温水中浸10秒, 然后放在干净布上.
- 3.拿着印花纸纸板将印花移到模型上;
- 4.手指蘸水将印花移到适当的位置;
- 5.用软布轻压印花直至水干, 汽泡消失.



使用强力胶
Cyanoacrylate glue



配重
Weight



钻孔
Make hole



切割/移除
Cut/Remove



先涂
Priming first



贴纸
Decal



细沙
Fine Sand



选择
Option



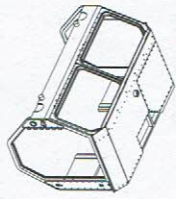
不涂胶水
No cement



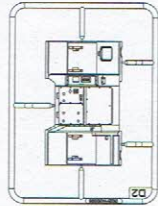
带
Band

部品图
Parts

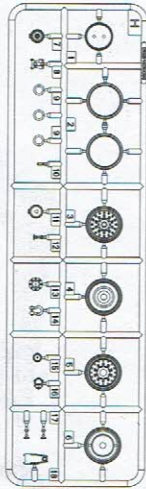
D4



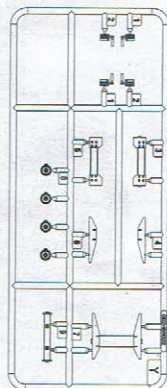
D2



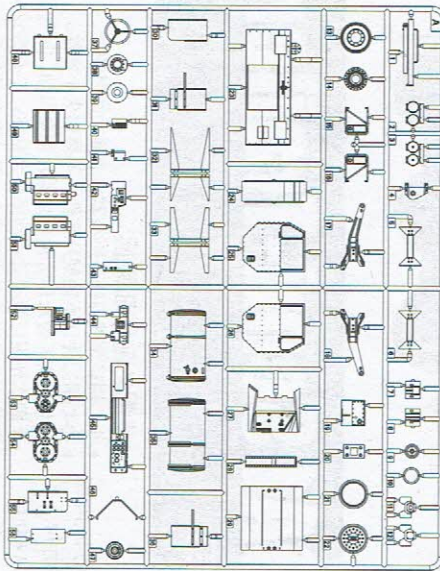
Hx4



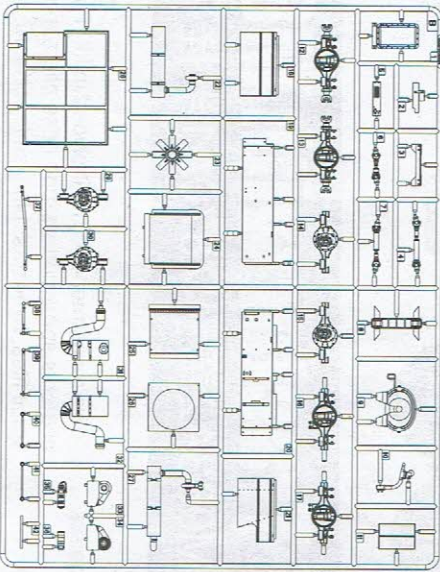
Y



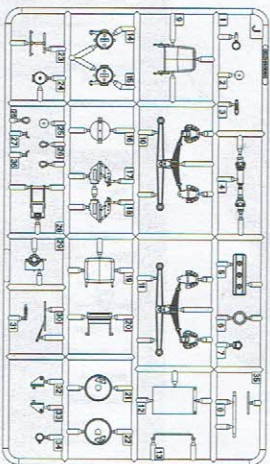
A



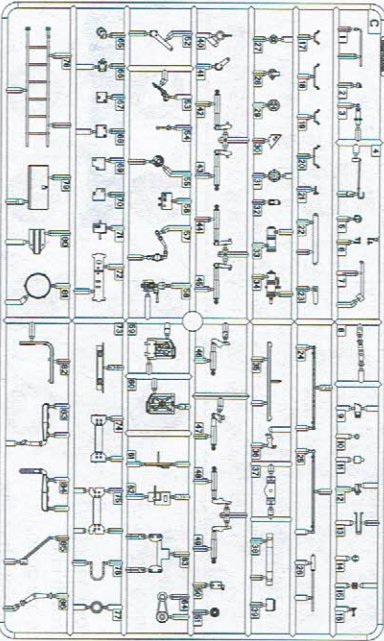
B



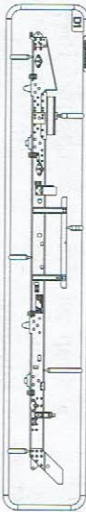
Jx2



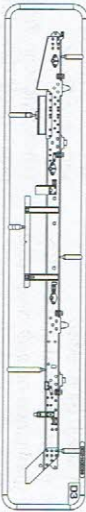
C



D1



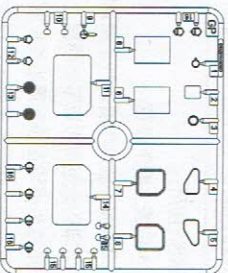
D3



《棉绳》 $\varnothing 1.0 \times 1500 \text{mm}$
Cotton



GP



《轮胎》(大)
Tyre(big) x9

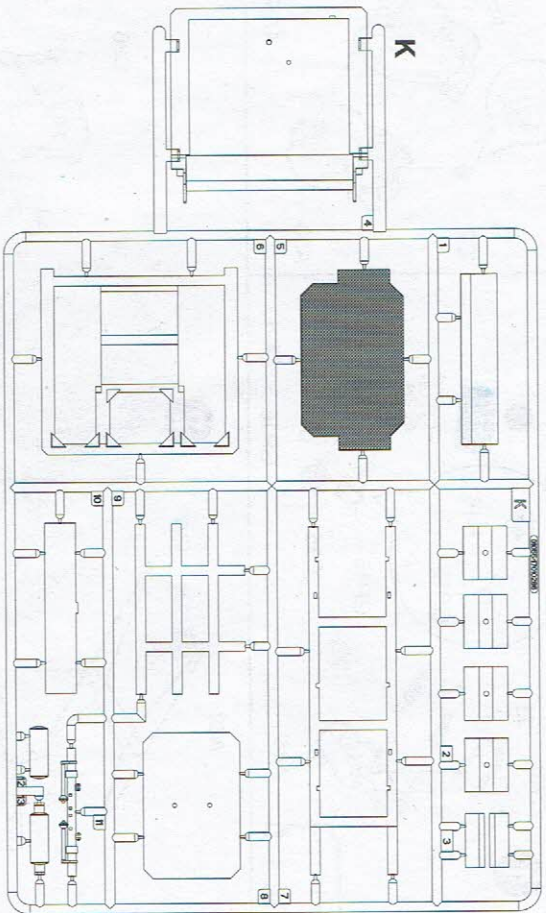
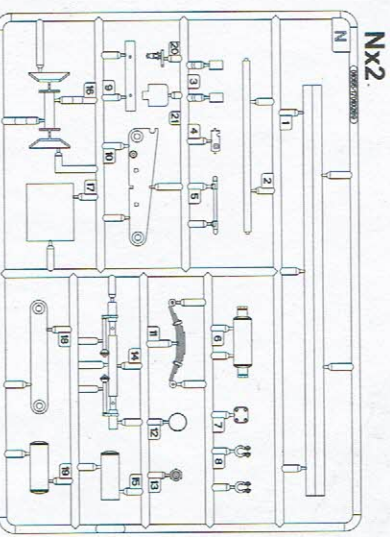
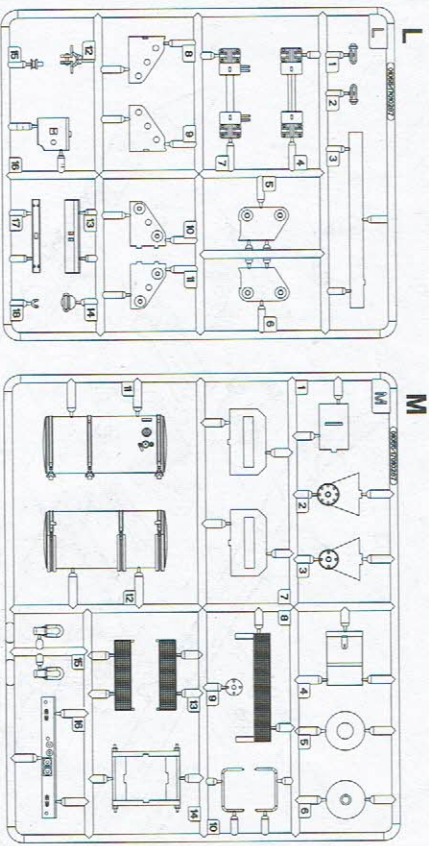
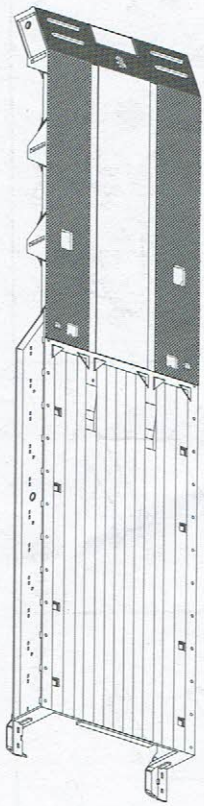


《轮胎》(小)
Tyre(small) x13

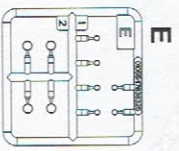


部品图
Parts

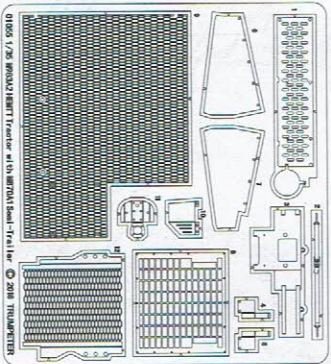
《平板》
Flat



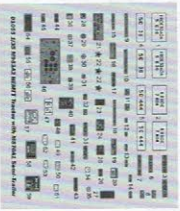
《聚乙烯盖》
Poly cap



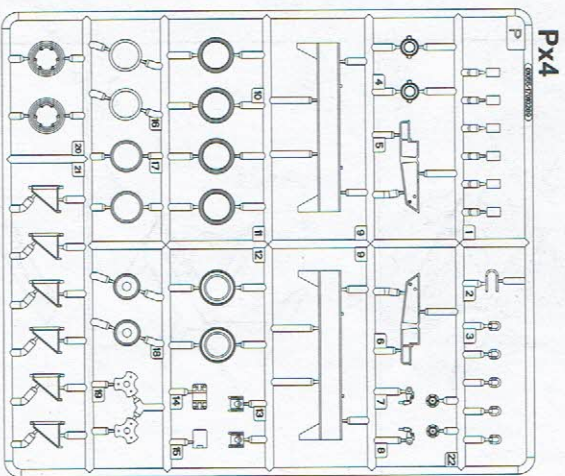
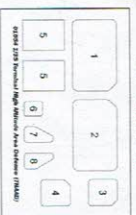
《蚀刻片》
PE

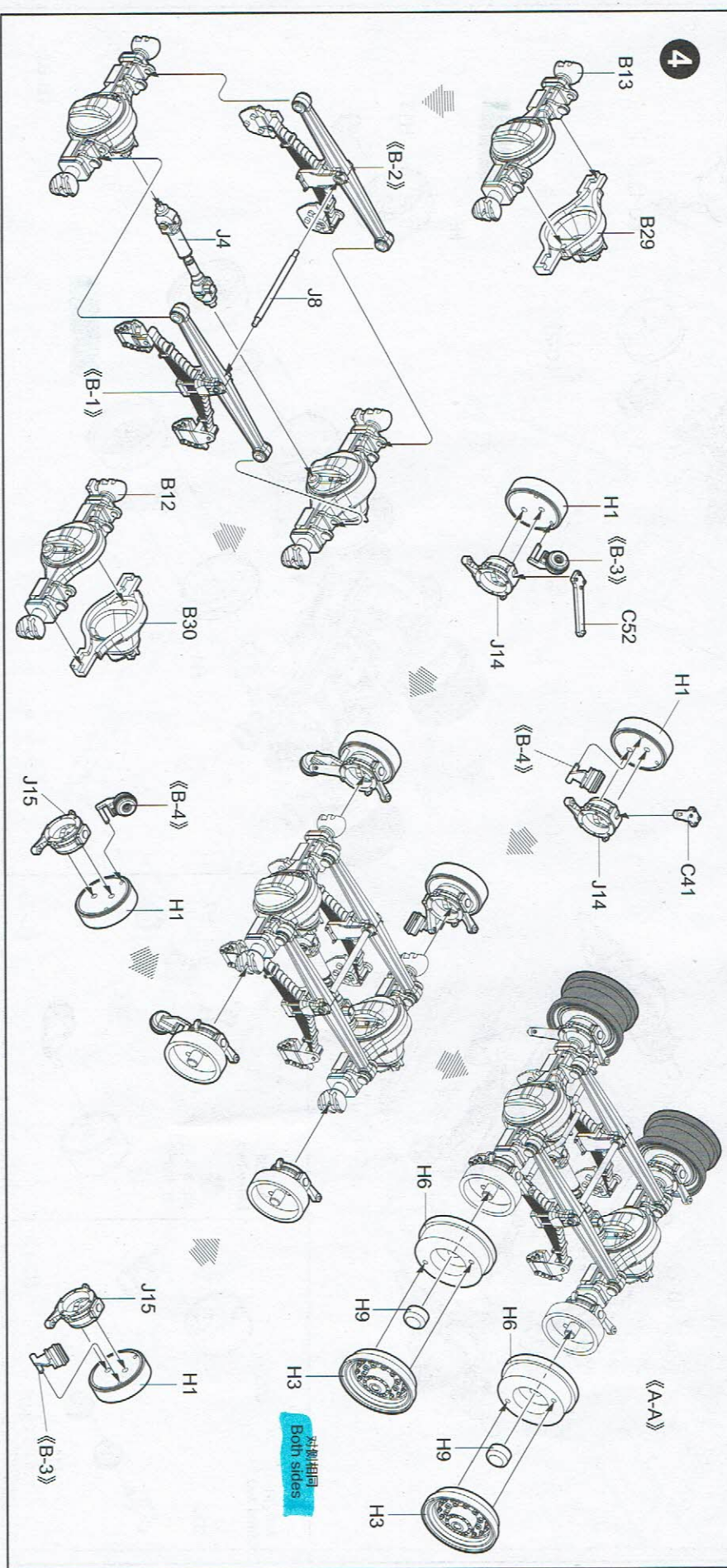
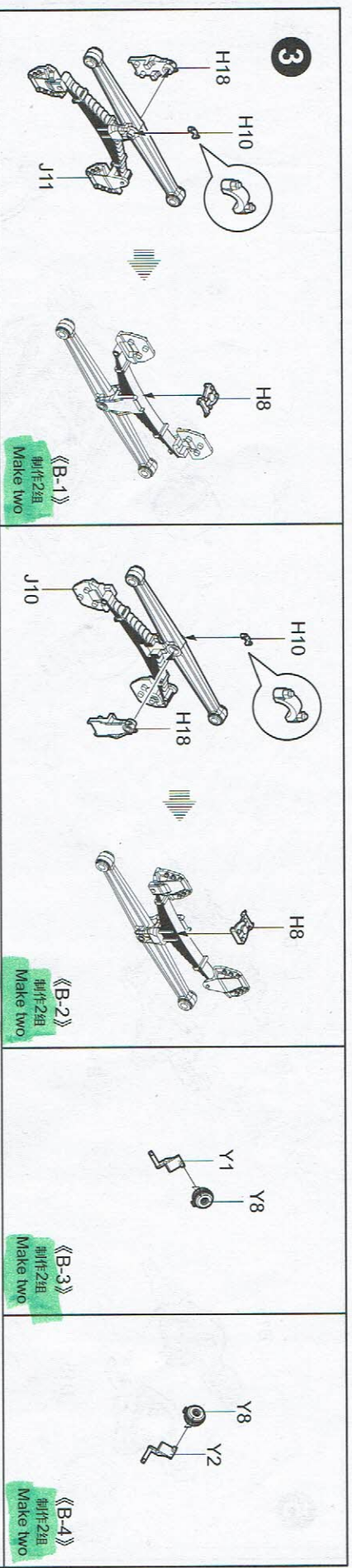


《水贴》
Decal

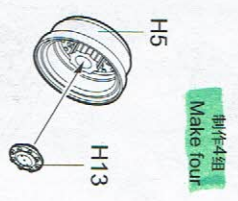
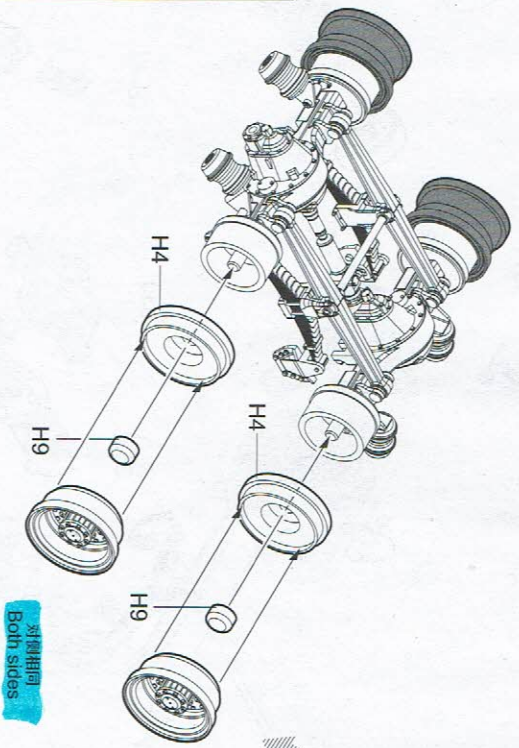
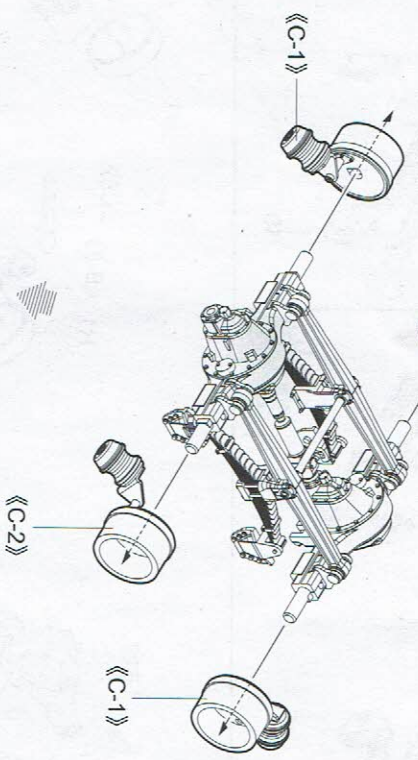
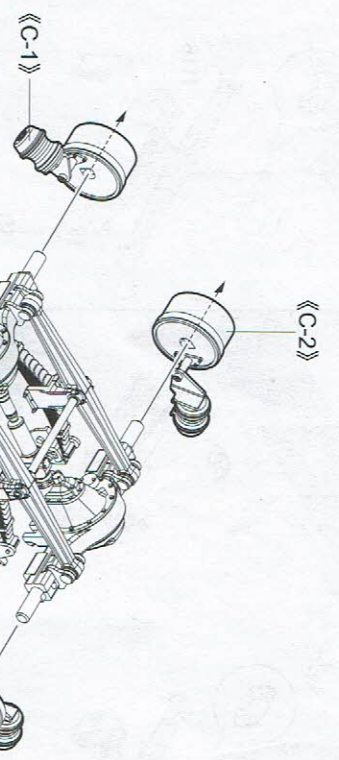
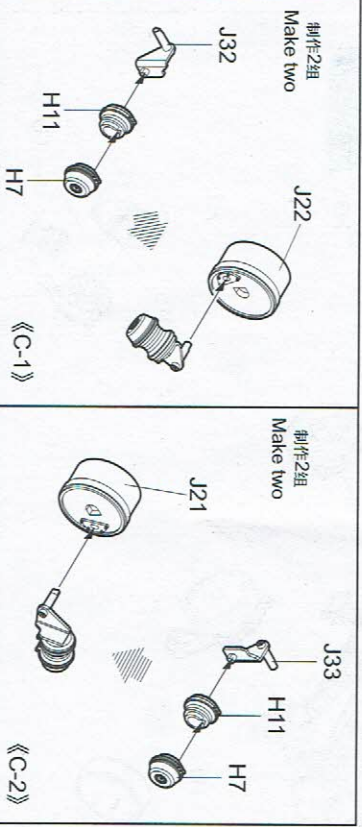
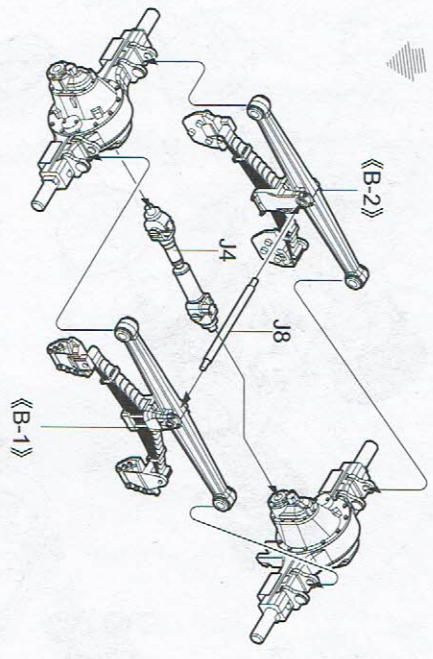
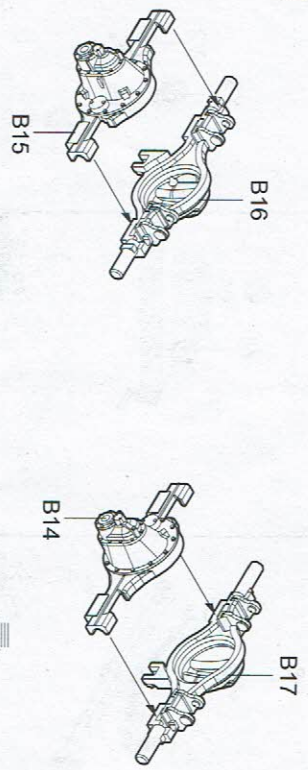


《遮盖纸》
Die-cut mask





5



对称相同
Both sides

《B-B》

6

《A-A》

《B-B》

B6

B4

对侧 C43
Opposite
C42

对侧 C44
Opposite
C45

对侧 C49
Opposite
C48

对侧 C47
Opposite
C46

C24

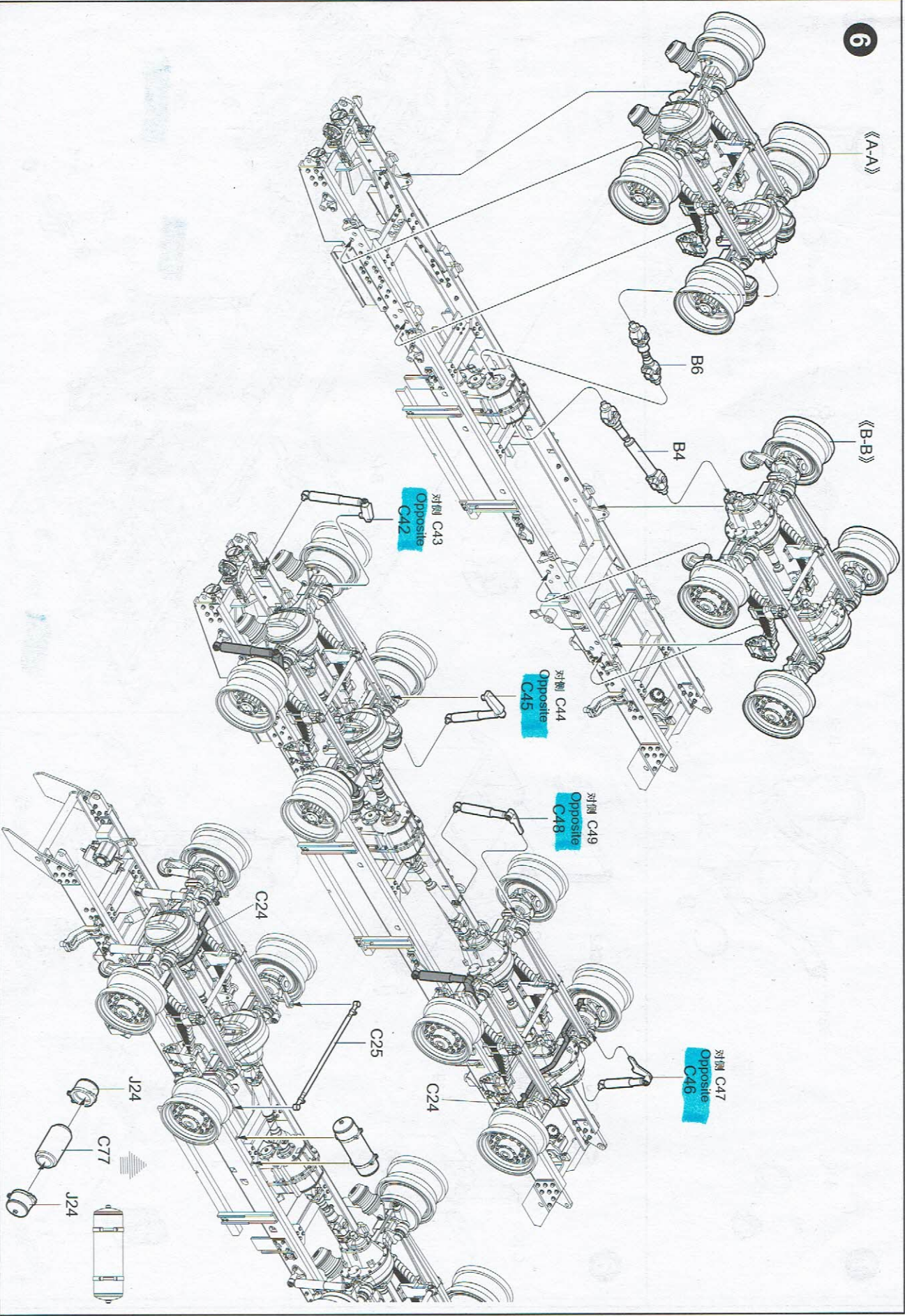
C25

C24

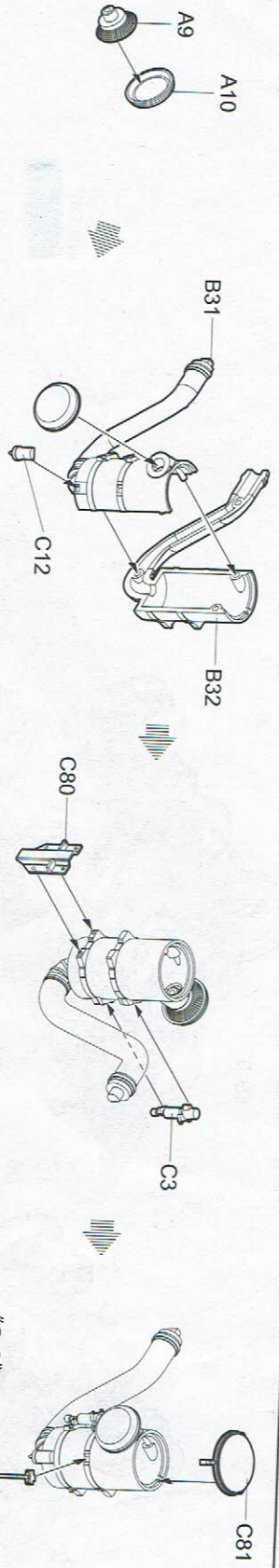
J24

C77

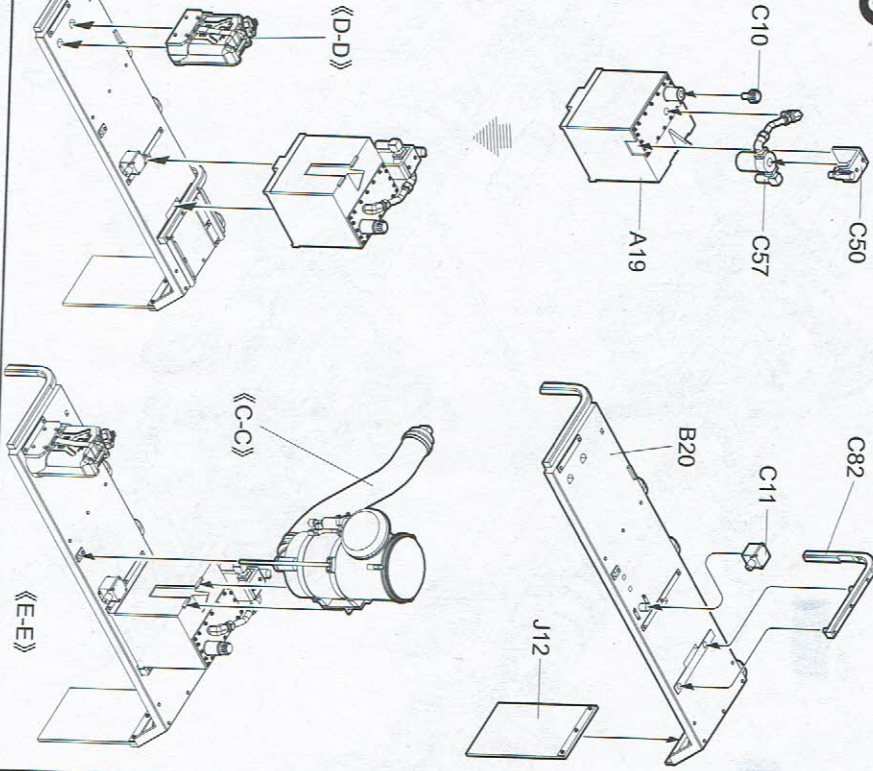
J24



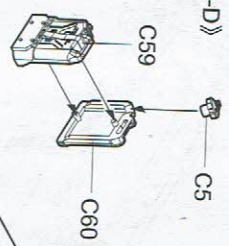
7



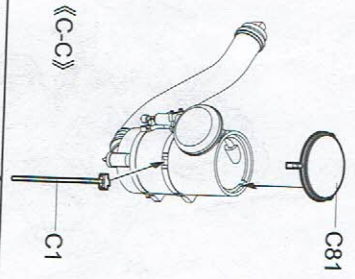
8



《D-D》



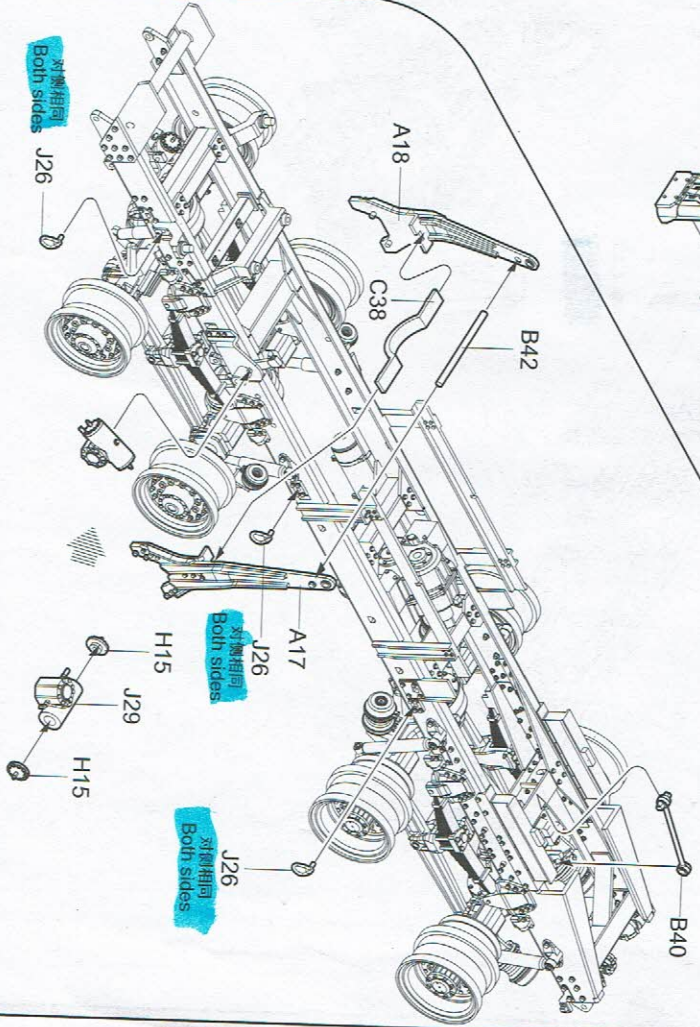
《C-C》



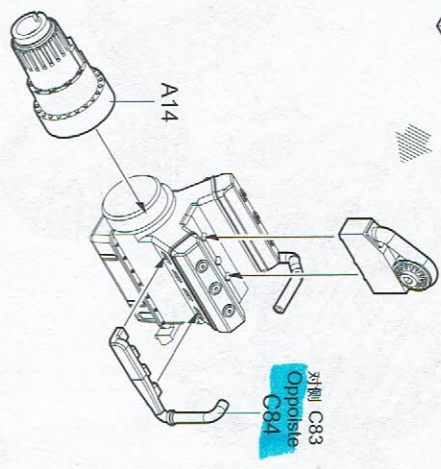
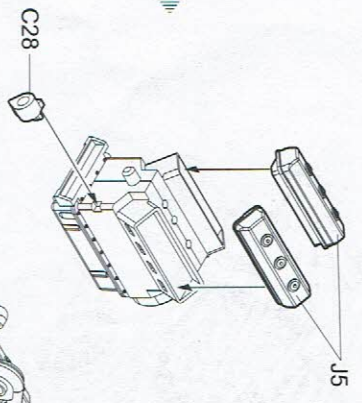
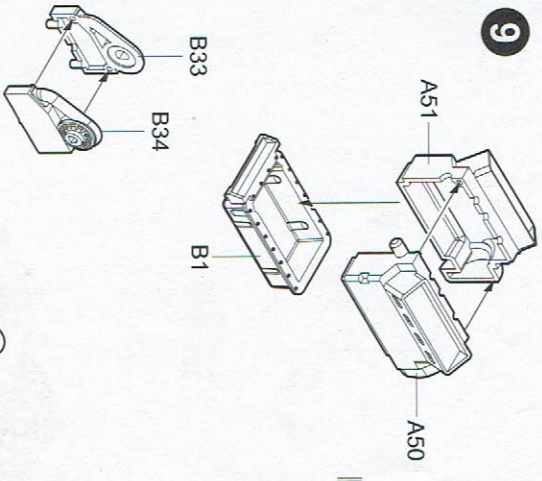
01055

U1033

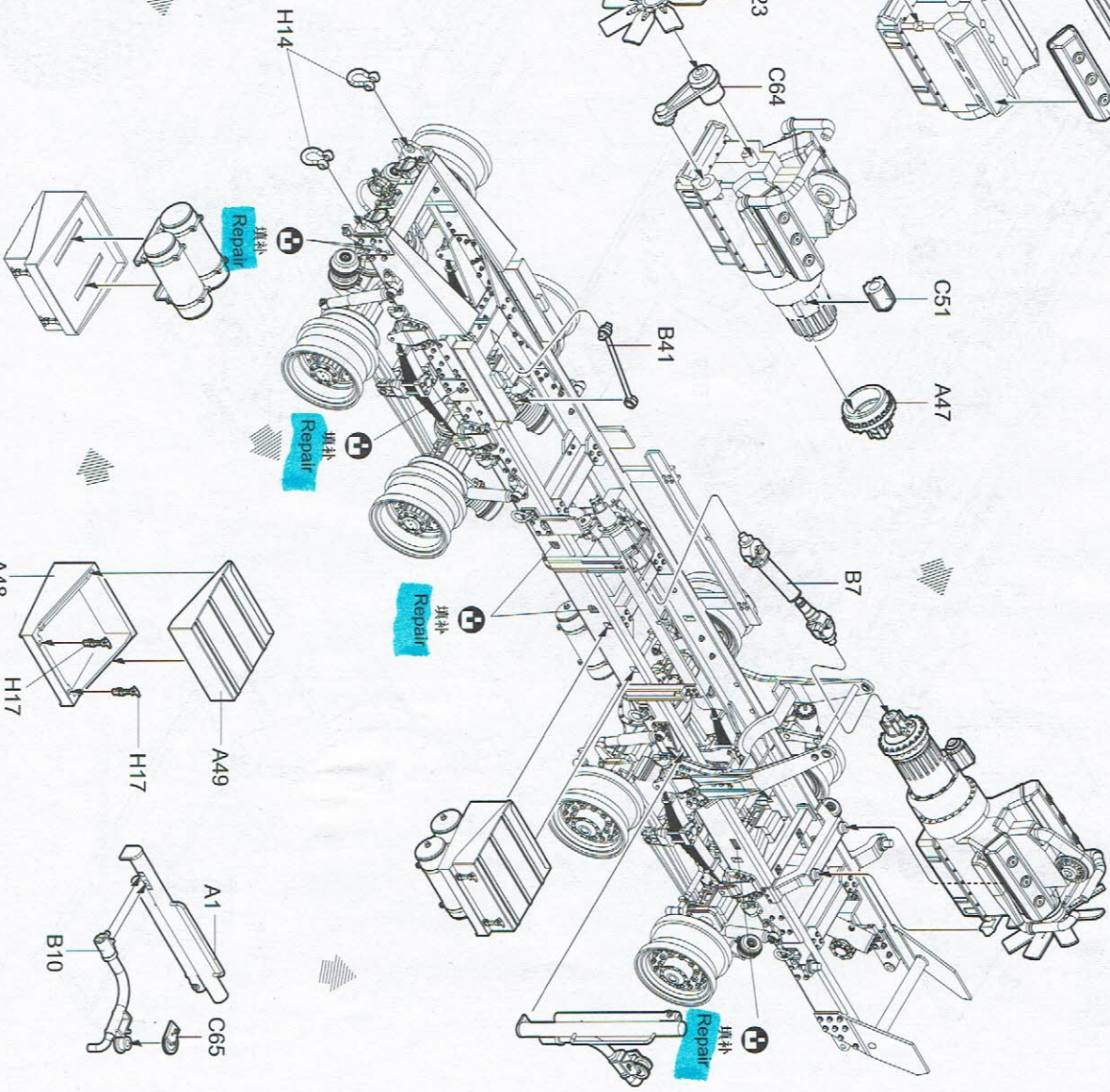
8

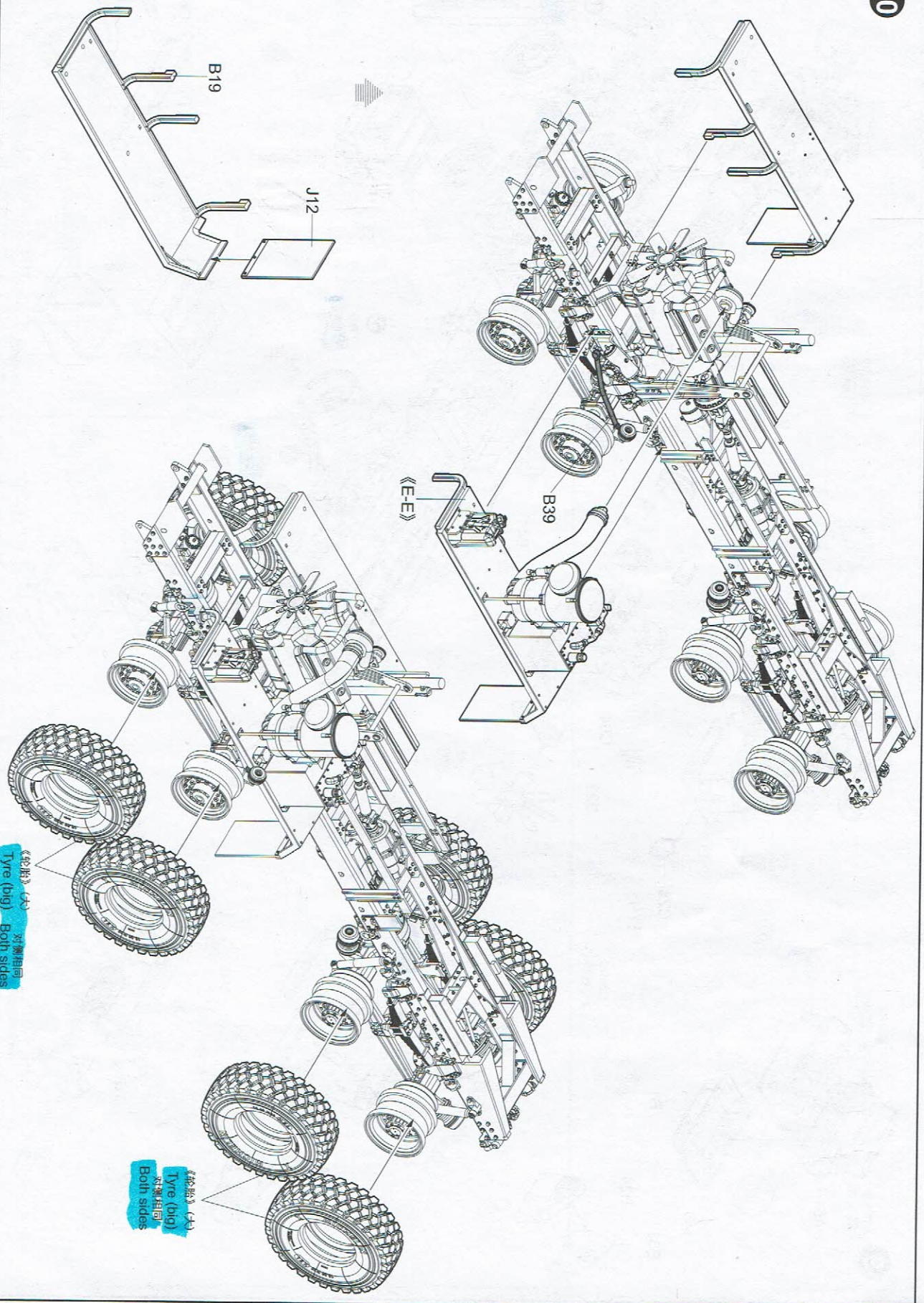


9



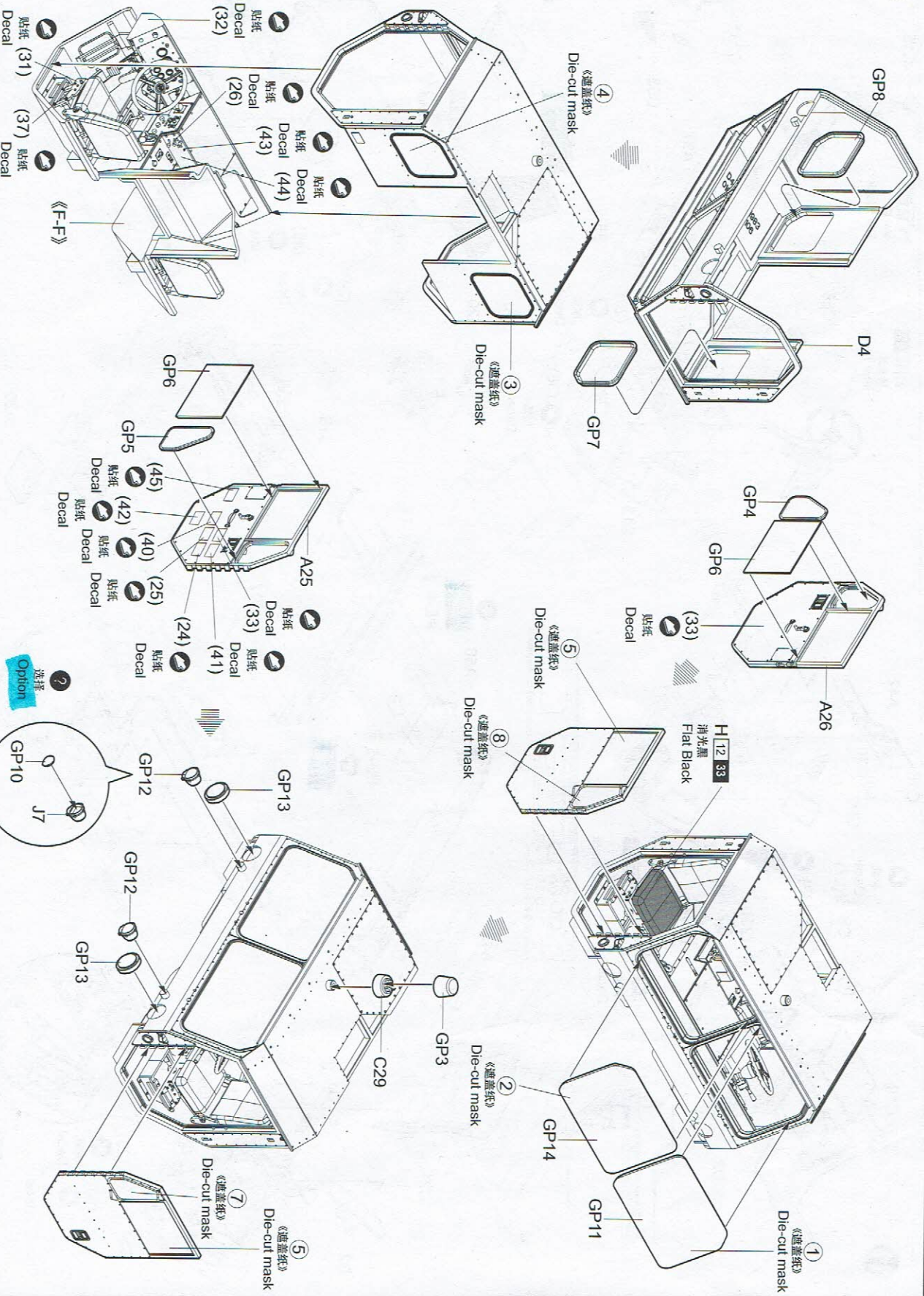
对侧 C83
Opposite
C84



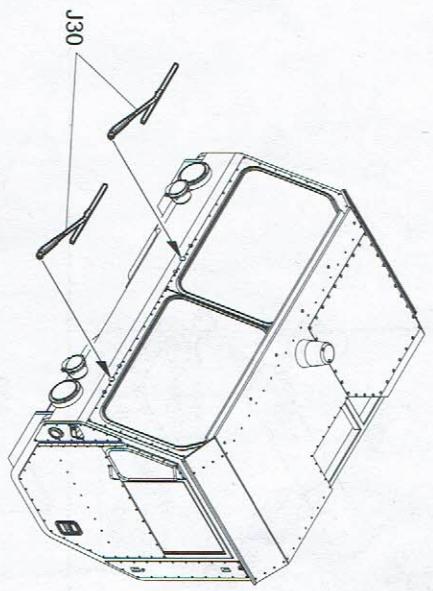
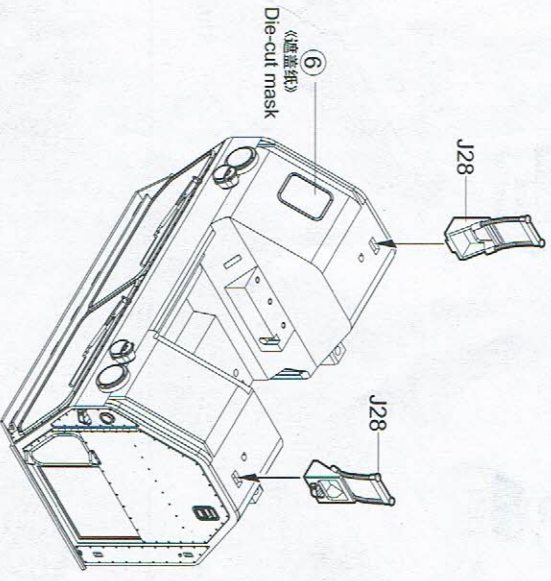


《轮胎》 (Tyre)
对侧相同
Both sides

《轮胎》 (Tyre)
对侧相同
Both sides

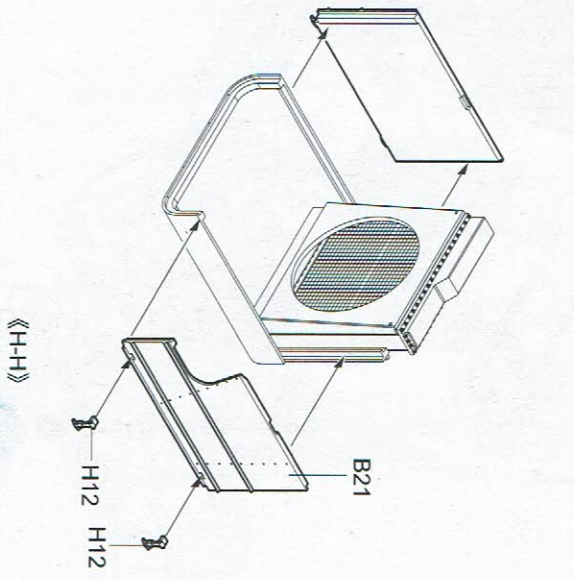
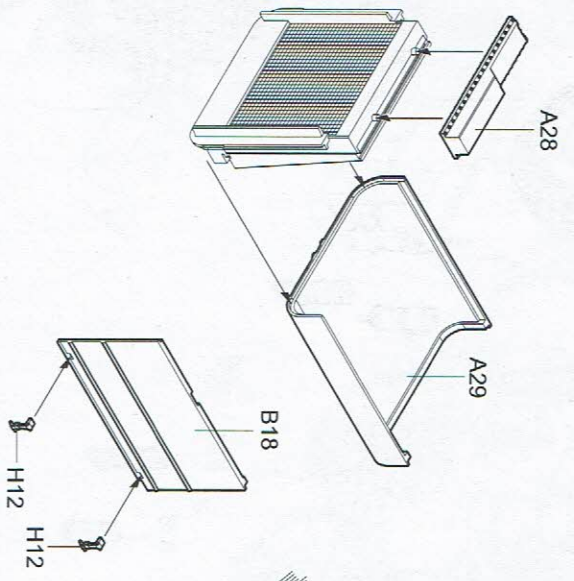
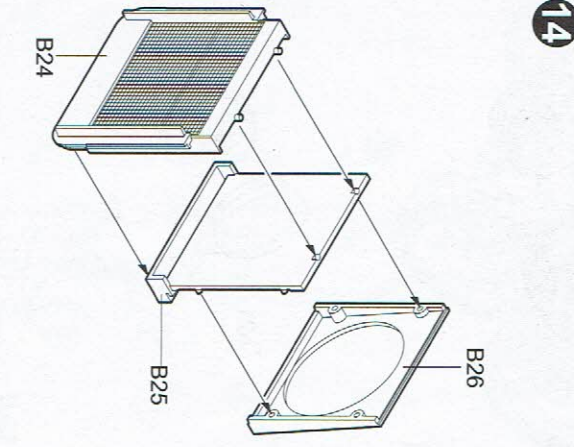


13



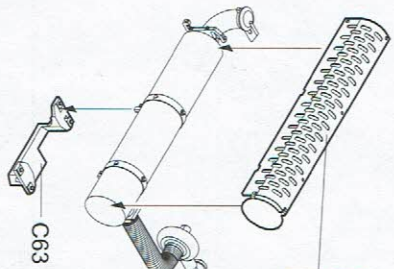
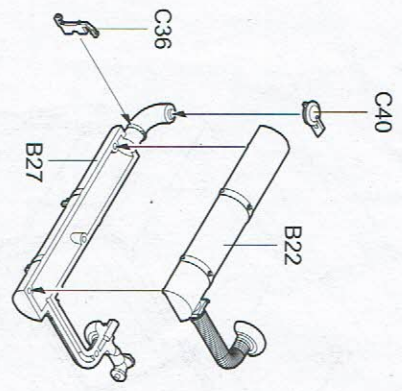
《G-G》

14



《H-H》

15

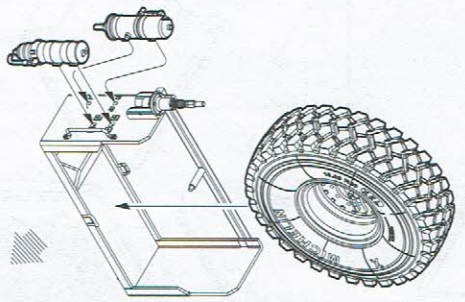
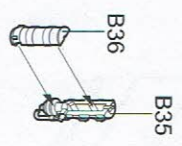
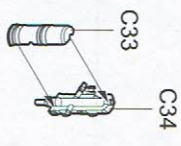
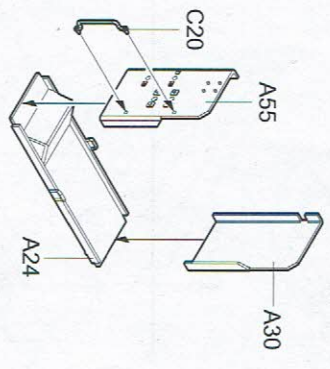


弯曲
Bend
PE-1

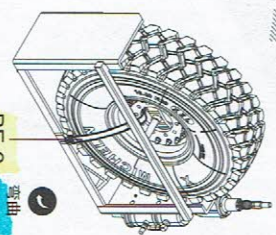
H 76 61
烧铁色
Burnt Iron

《I-I》

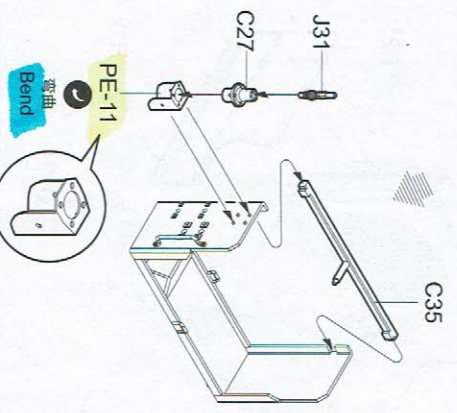
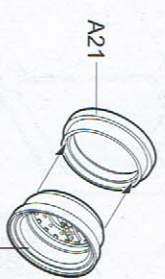
16



轮胎
Tyre (big)

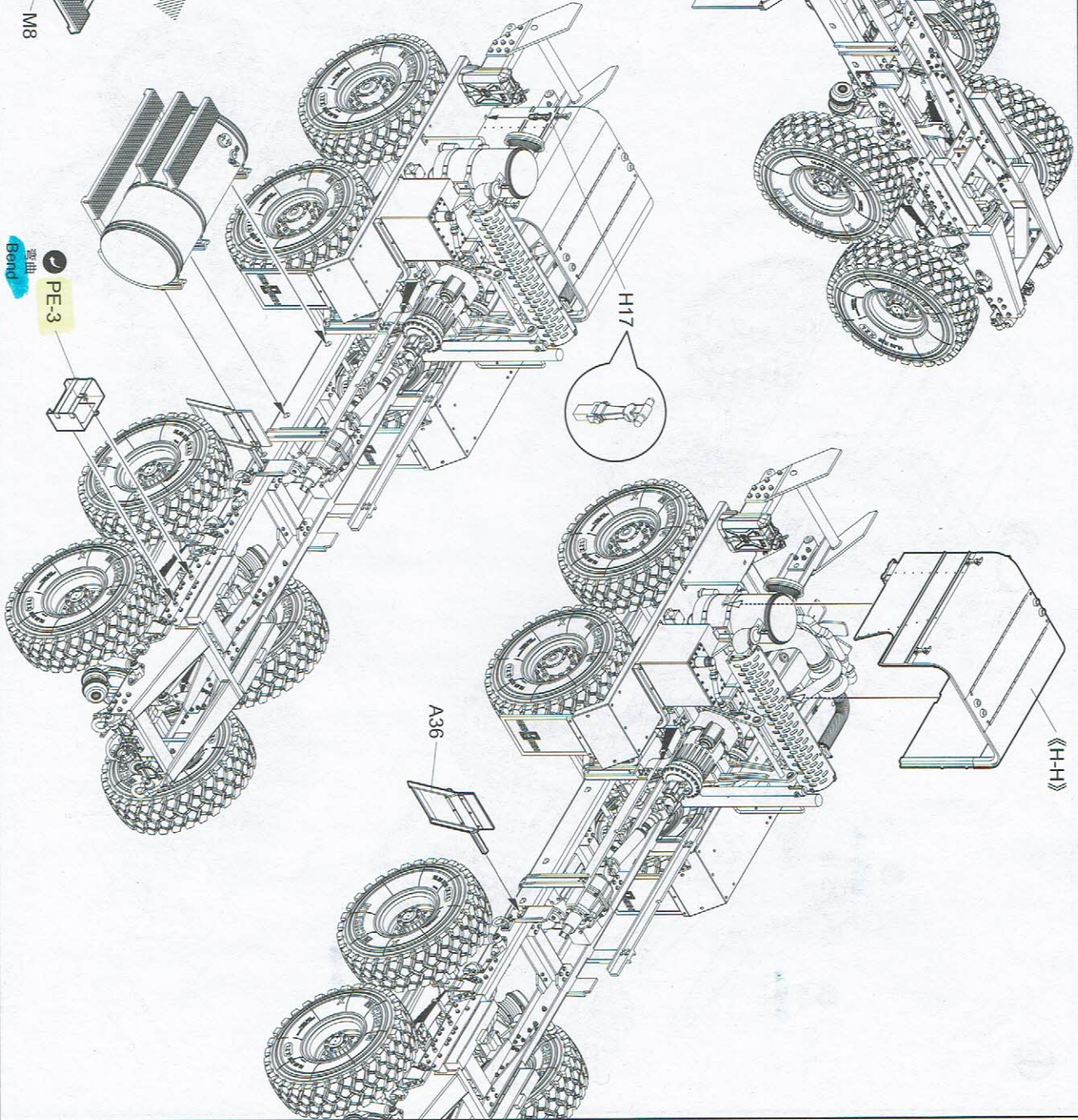
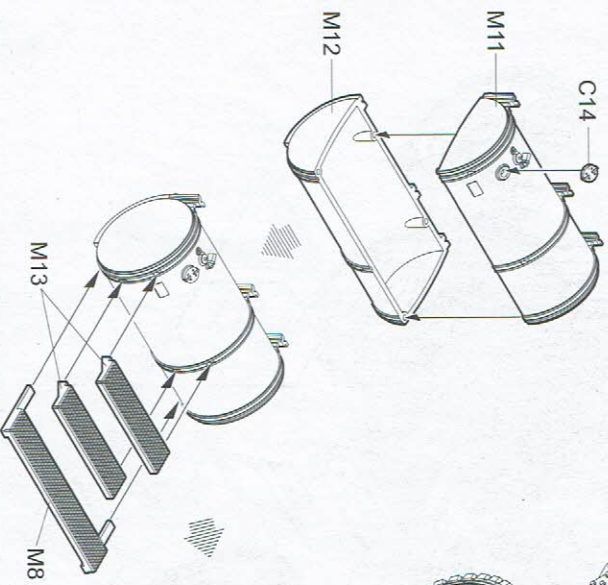
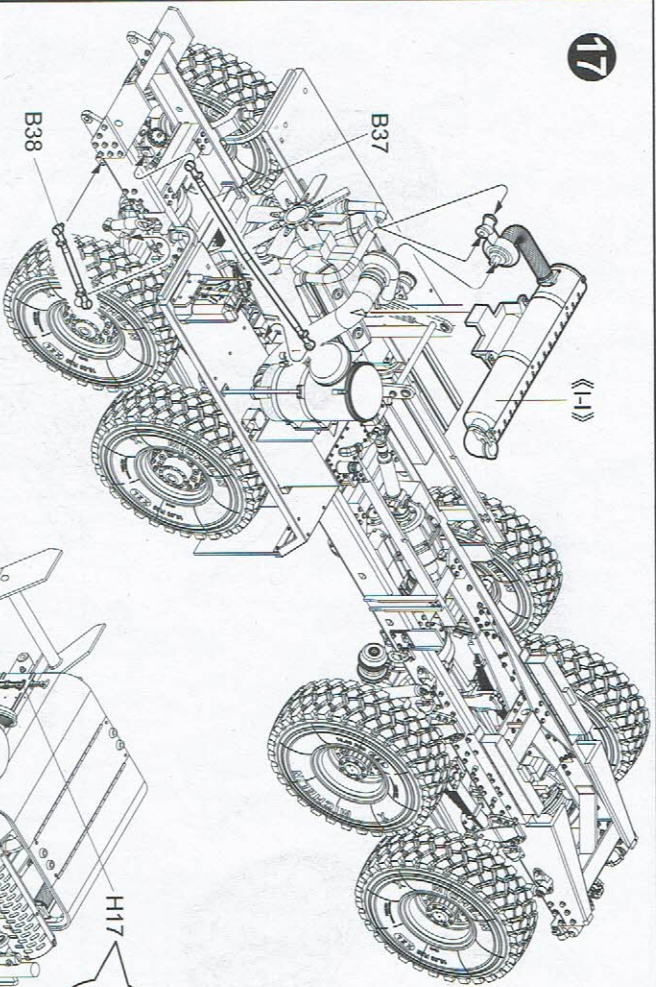


弯曲
Bend
《J-J》

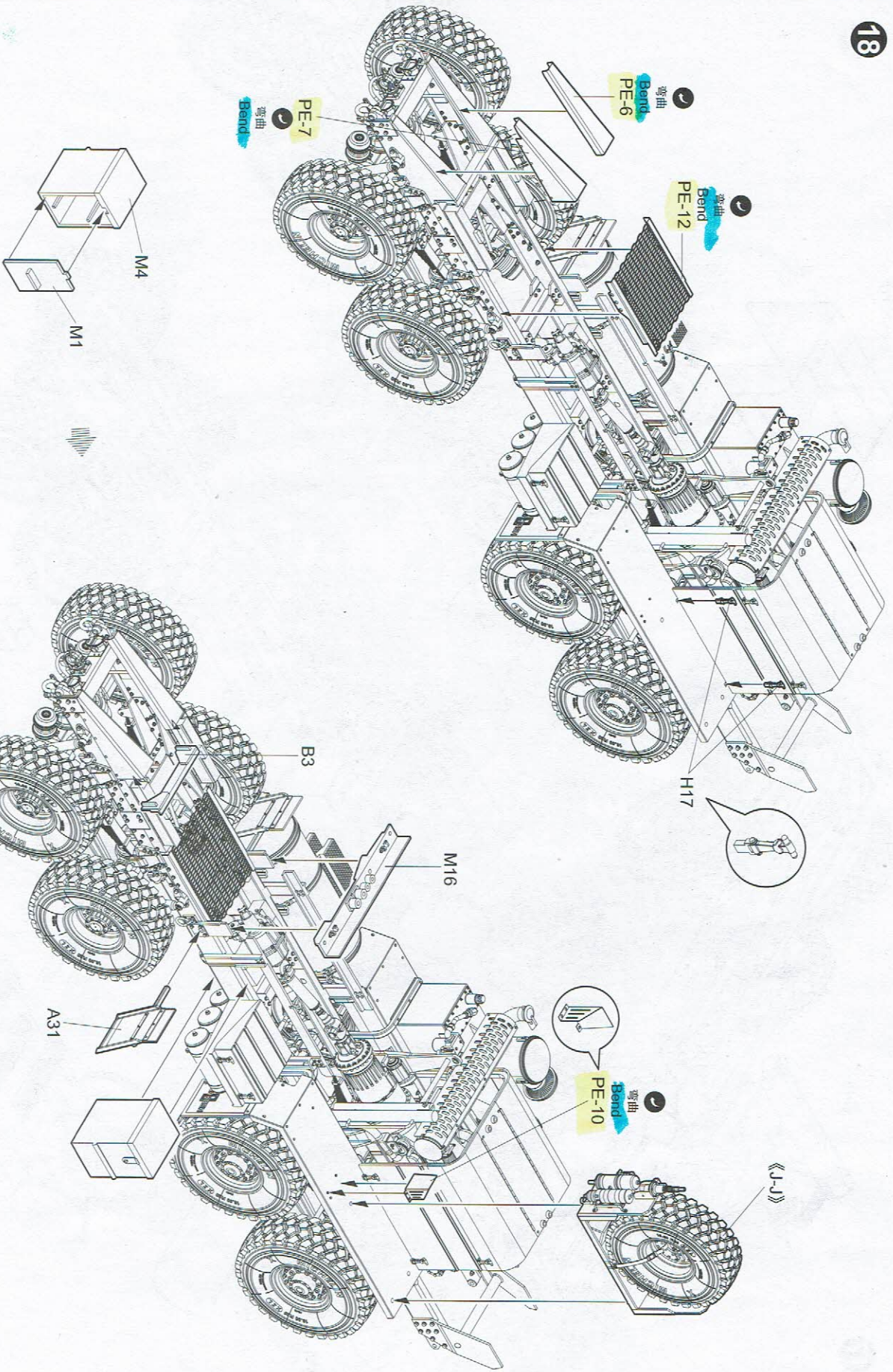


弯曲
Bend
PE-11

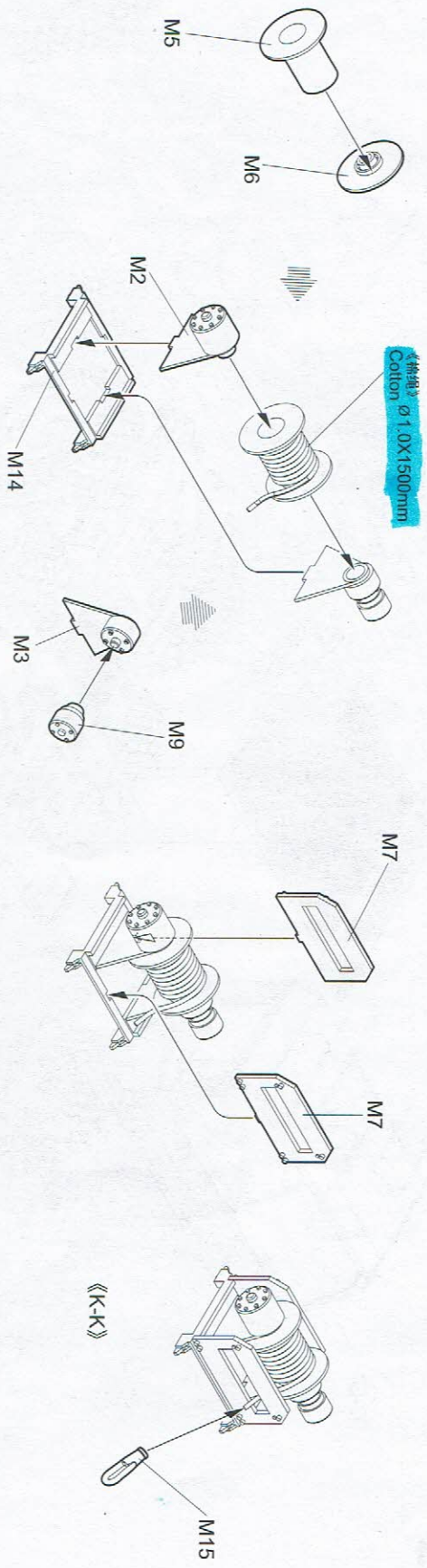
17



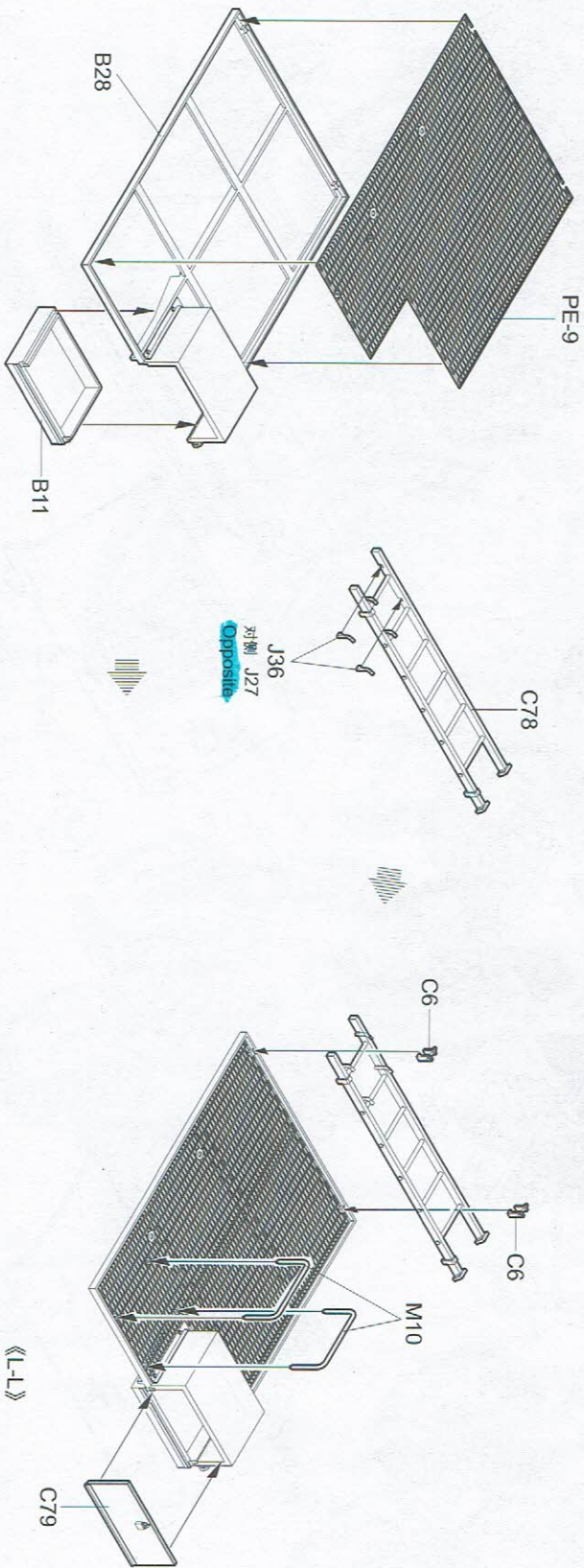
● PE-3
 螺母
 Bond

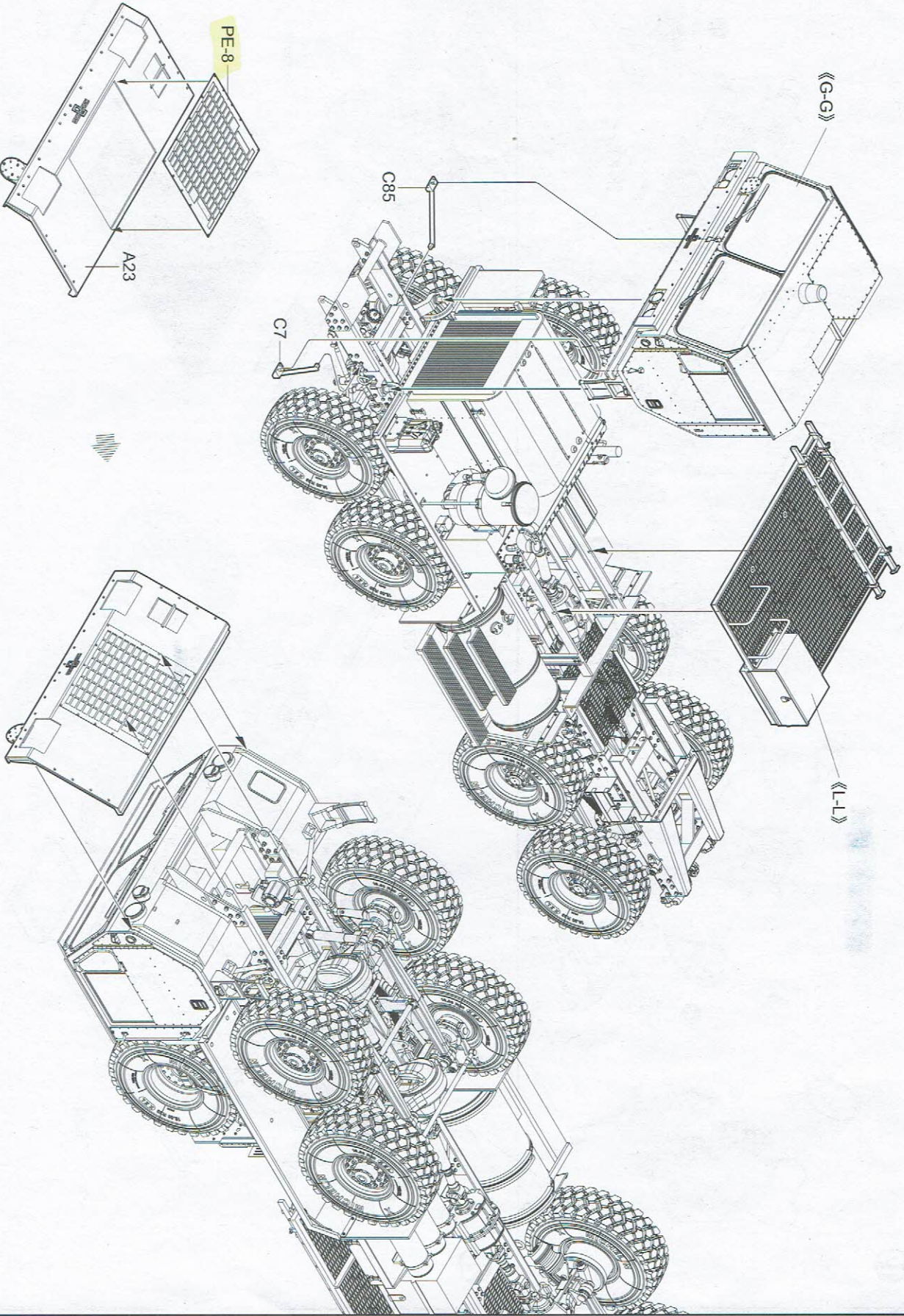


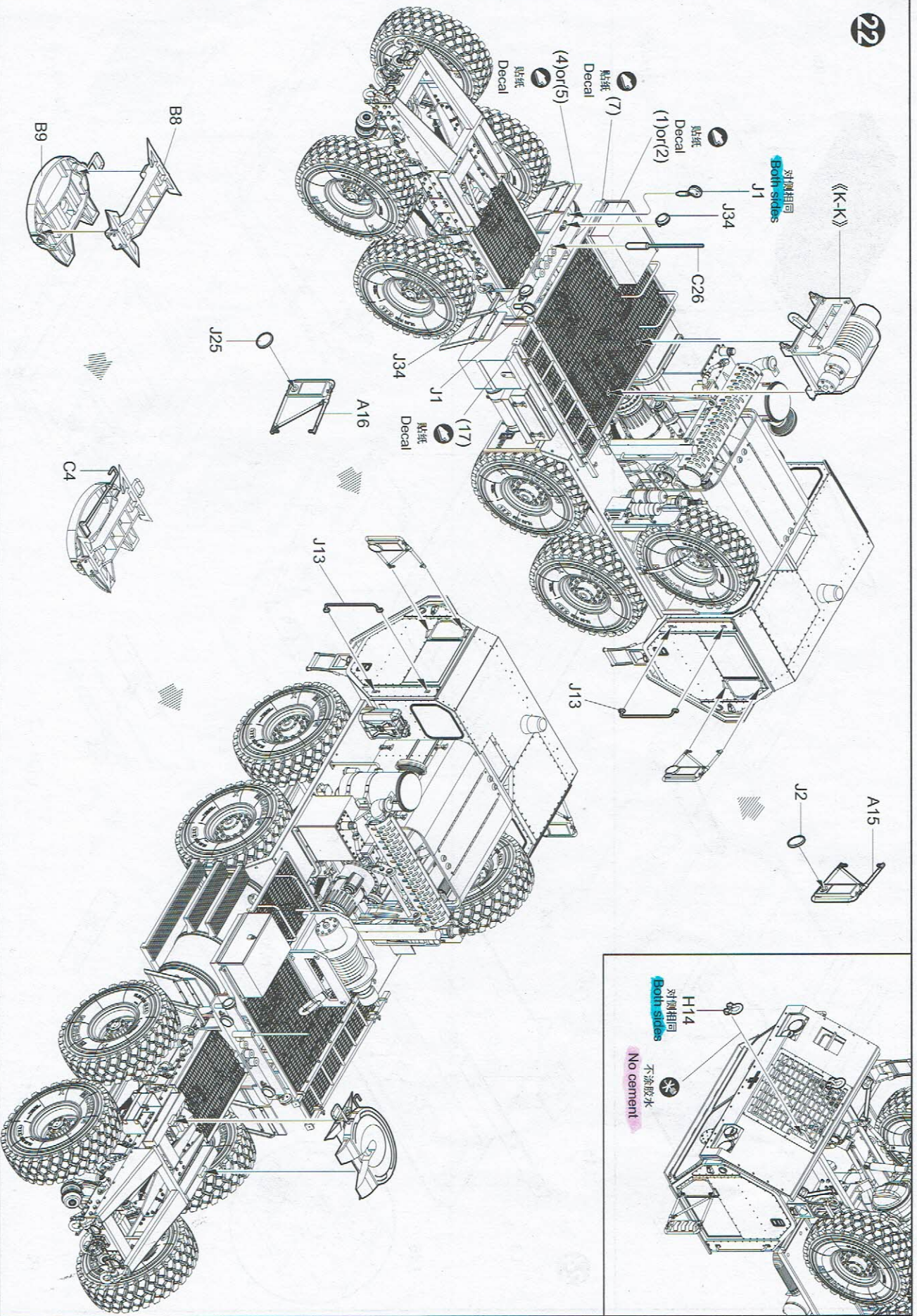
19



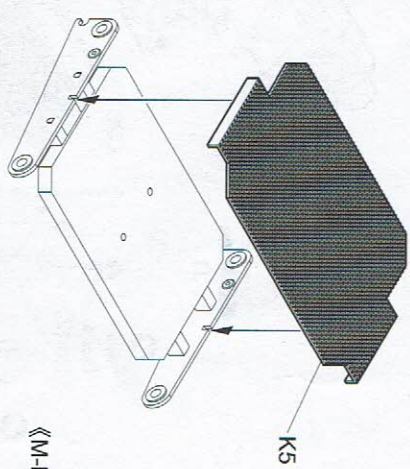
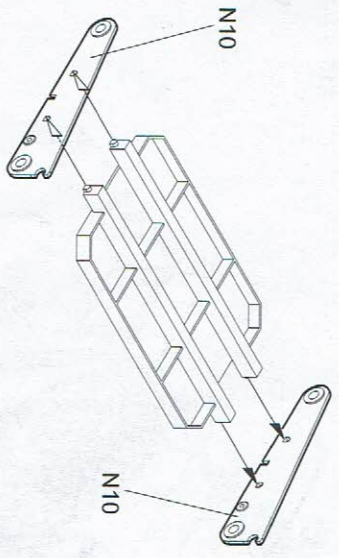
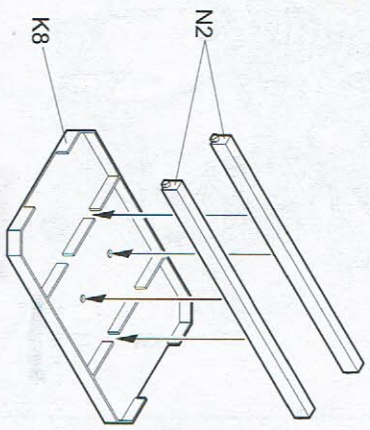
20





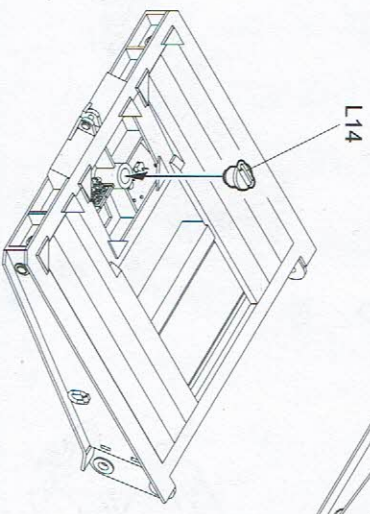
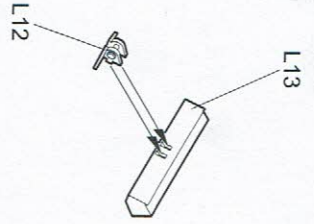
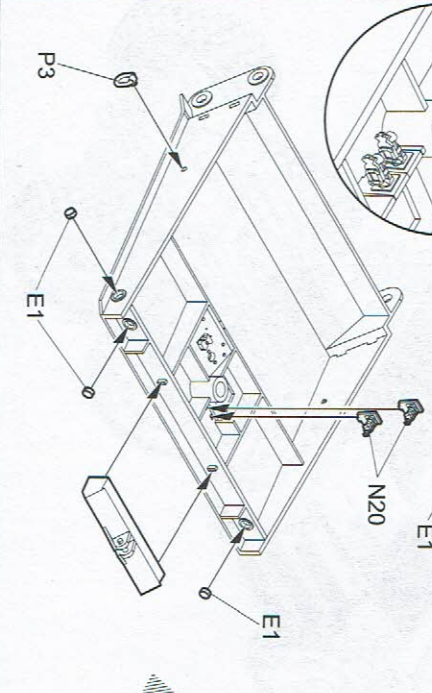
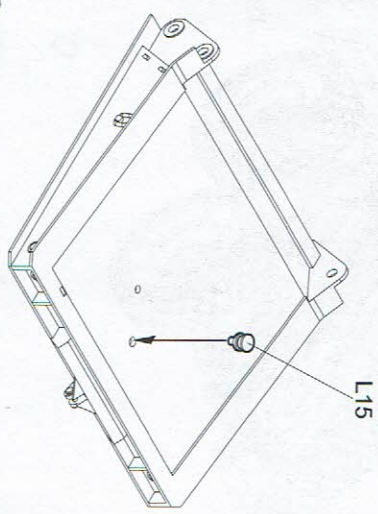
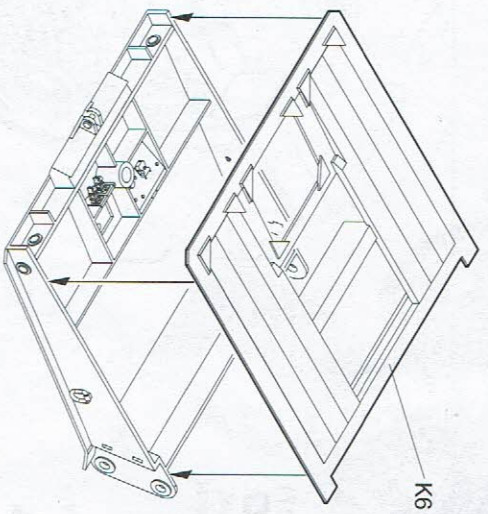
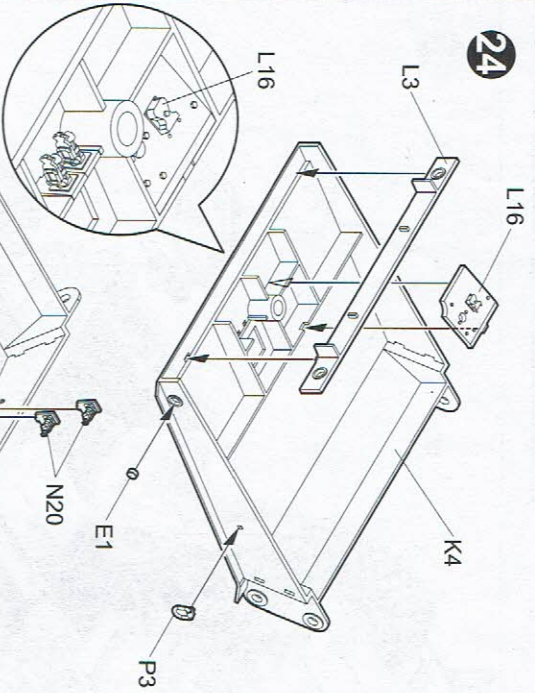


23

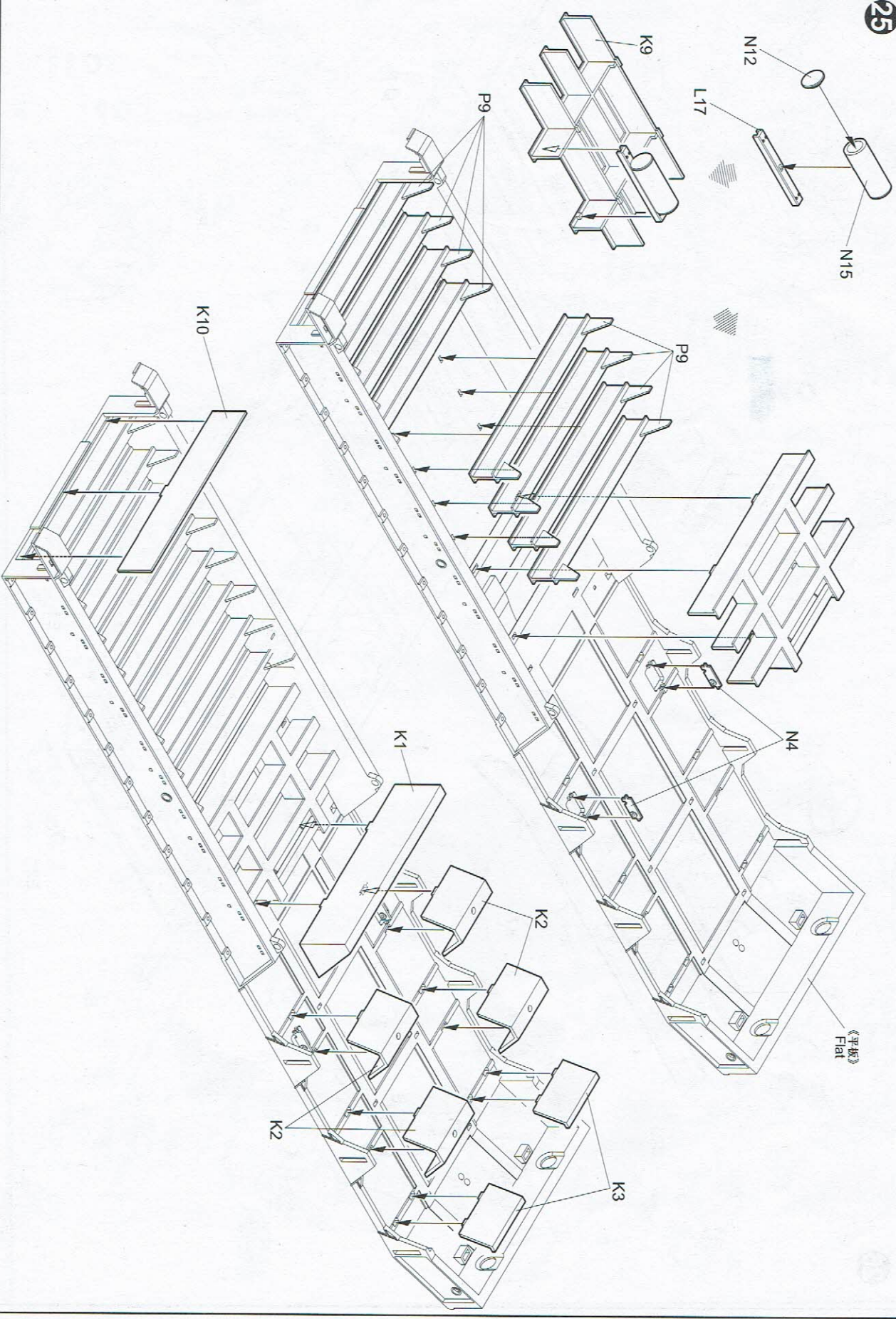


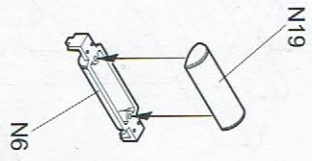
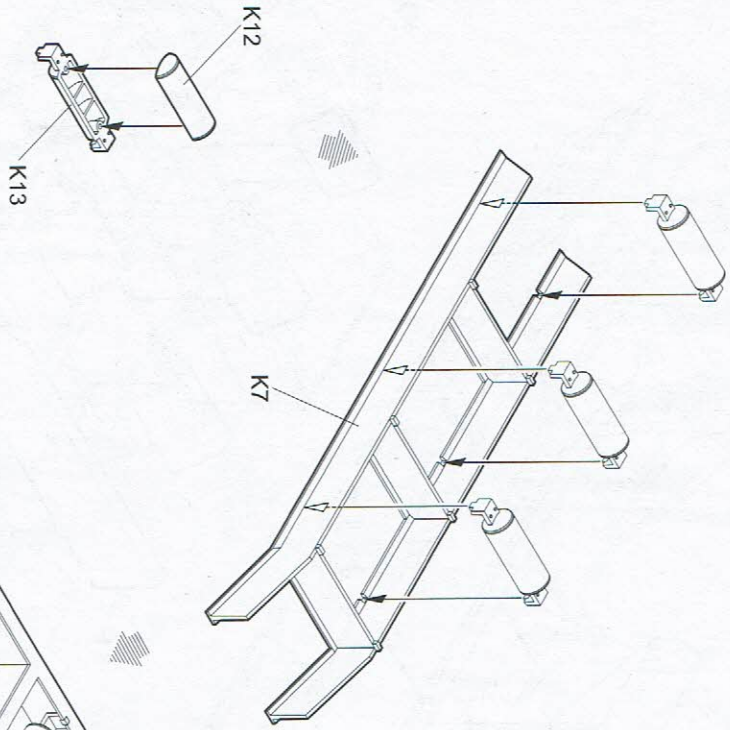
«M-M»

24

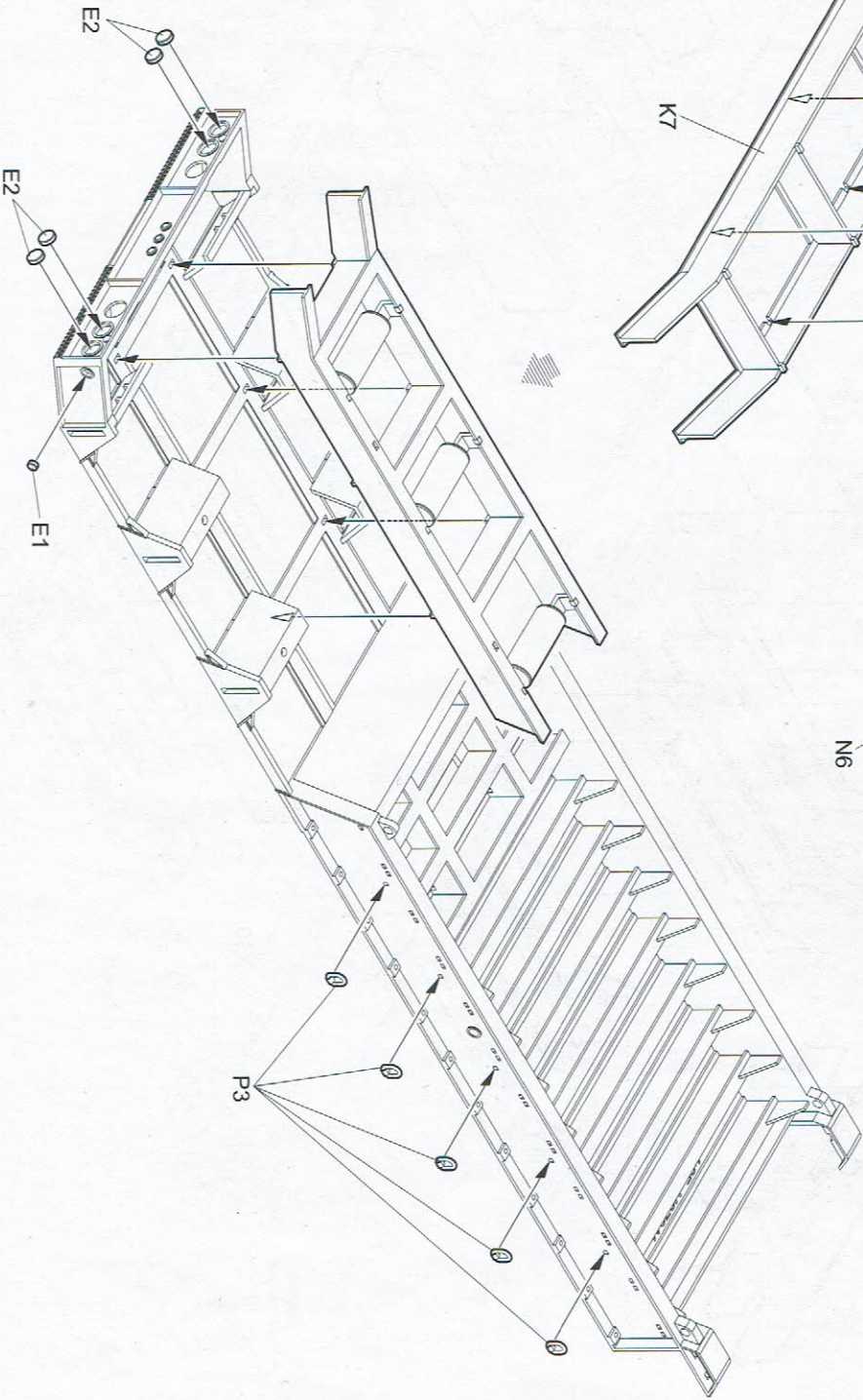


«N-N»

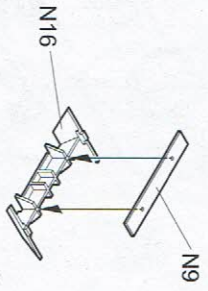




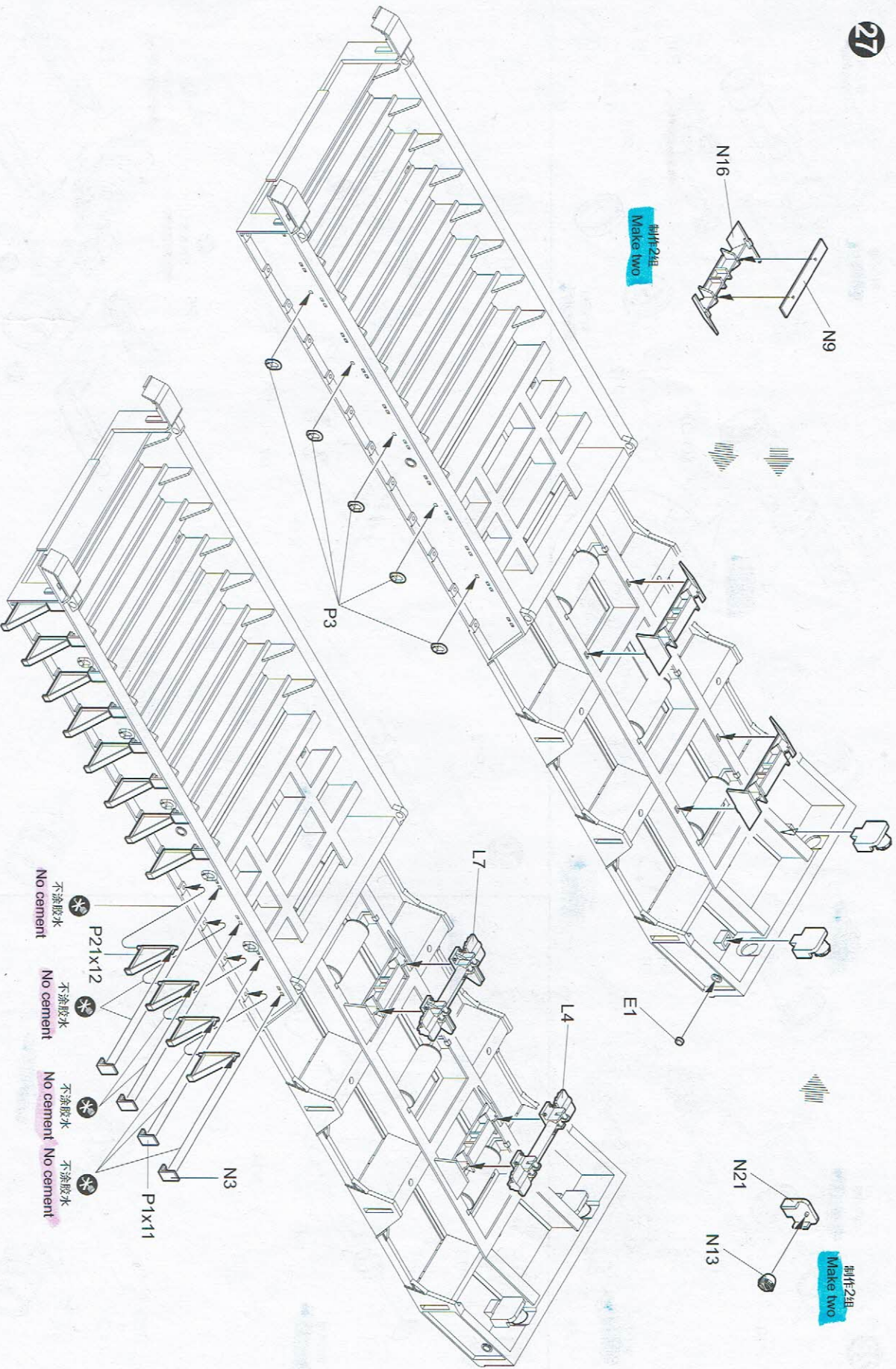
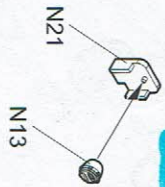
制作2组
Make two



制作2组
Make two



制作2组
Make two

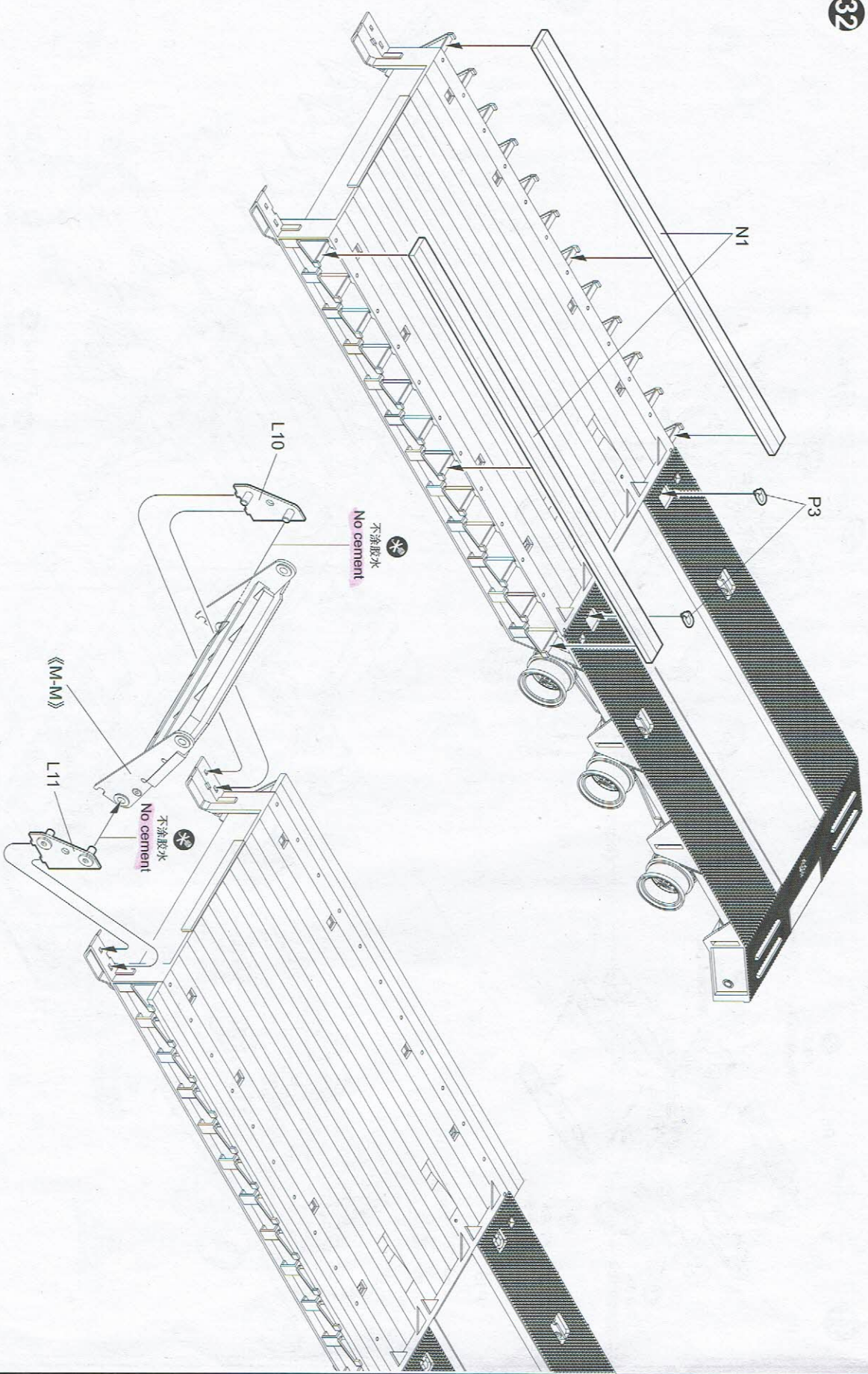


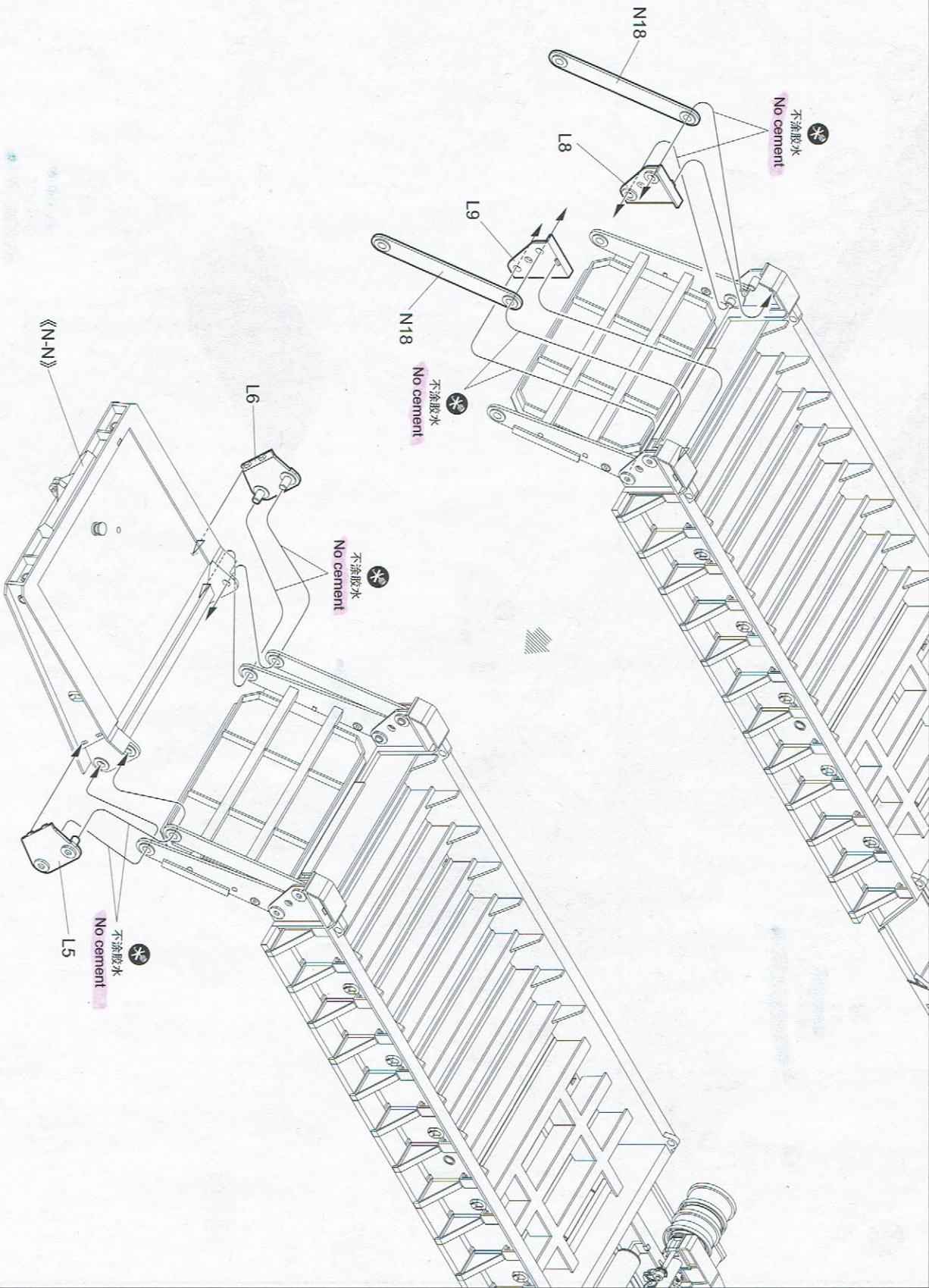
不涂胶水
No cement

不涂胶水
No cement

不涂胶水
No cement

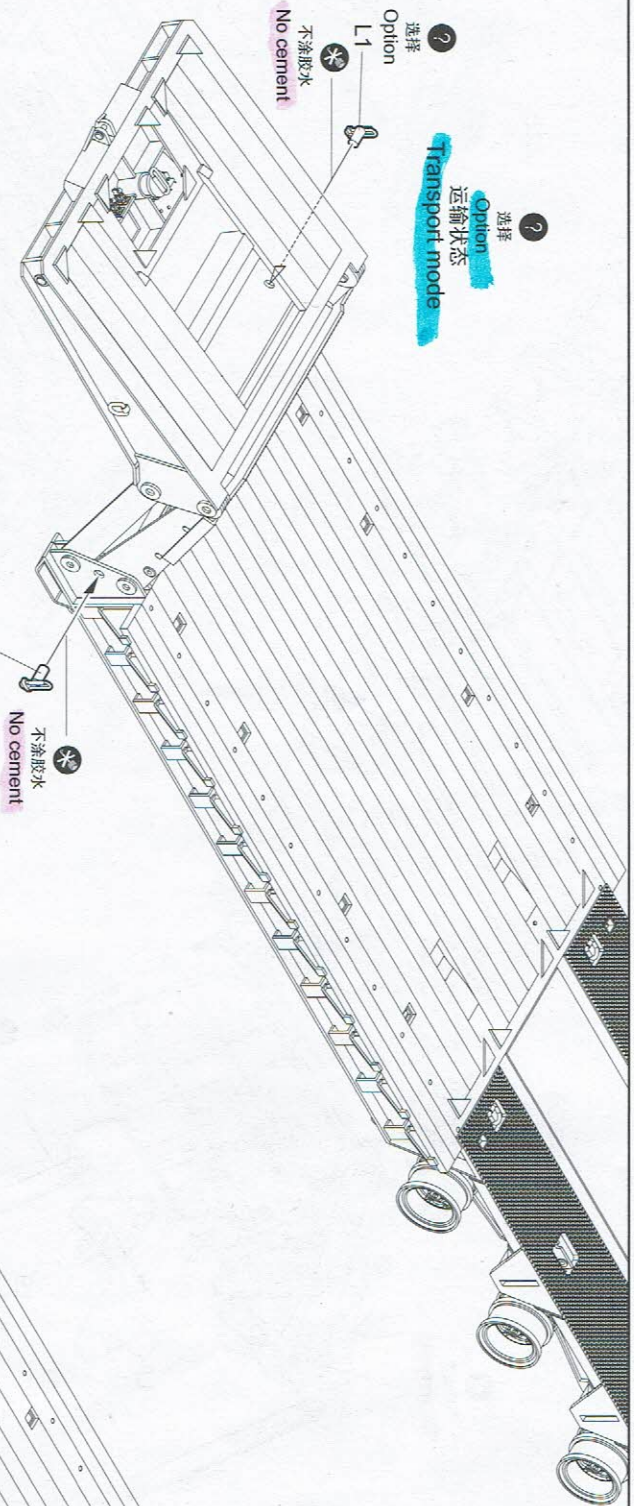
不涂胶水
No cement





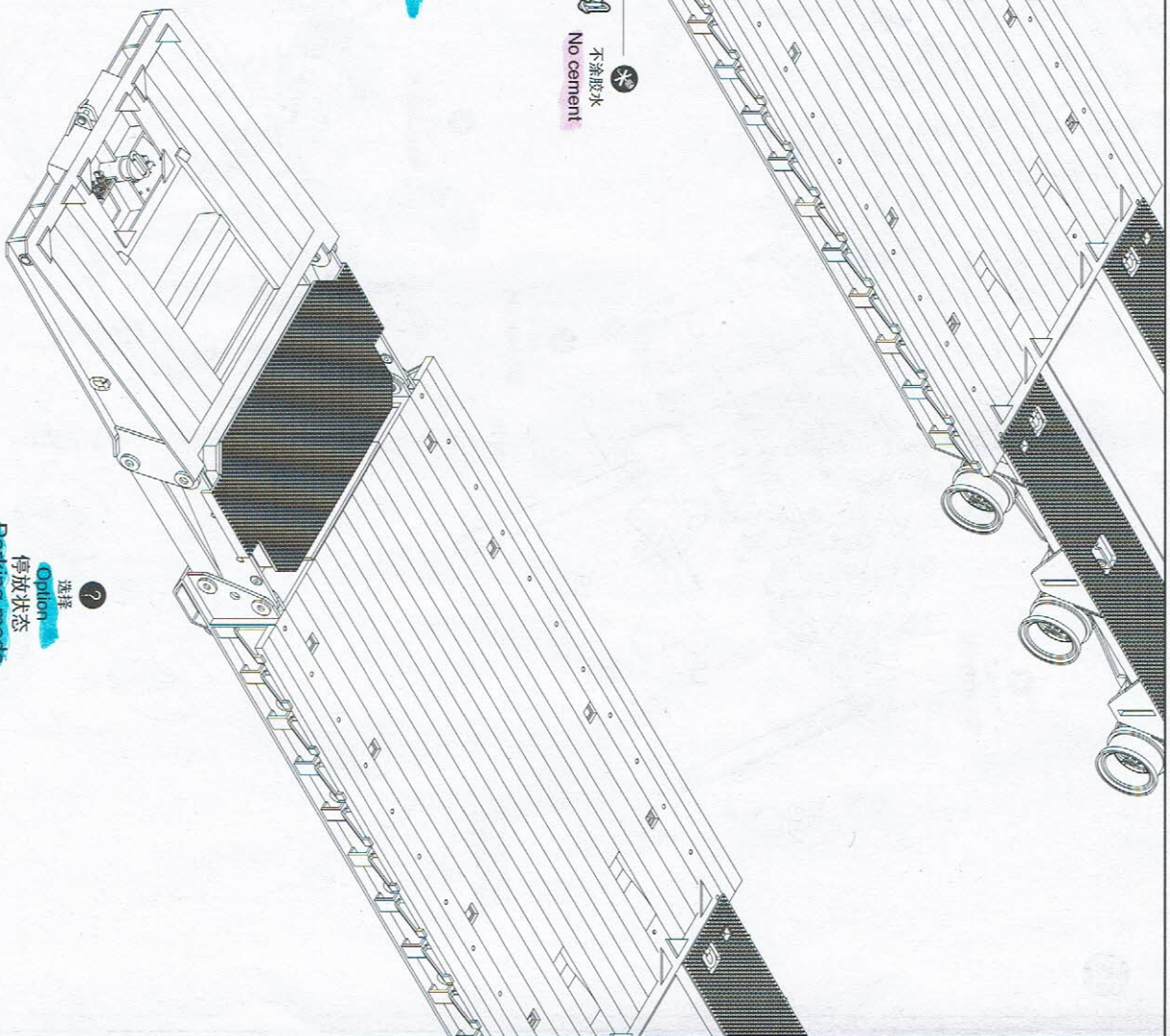
选择
Option
运输状态
transport mode

选择
Option
L1
不涂胶水
No cement

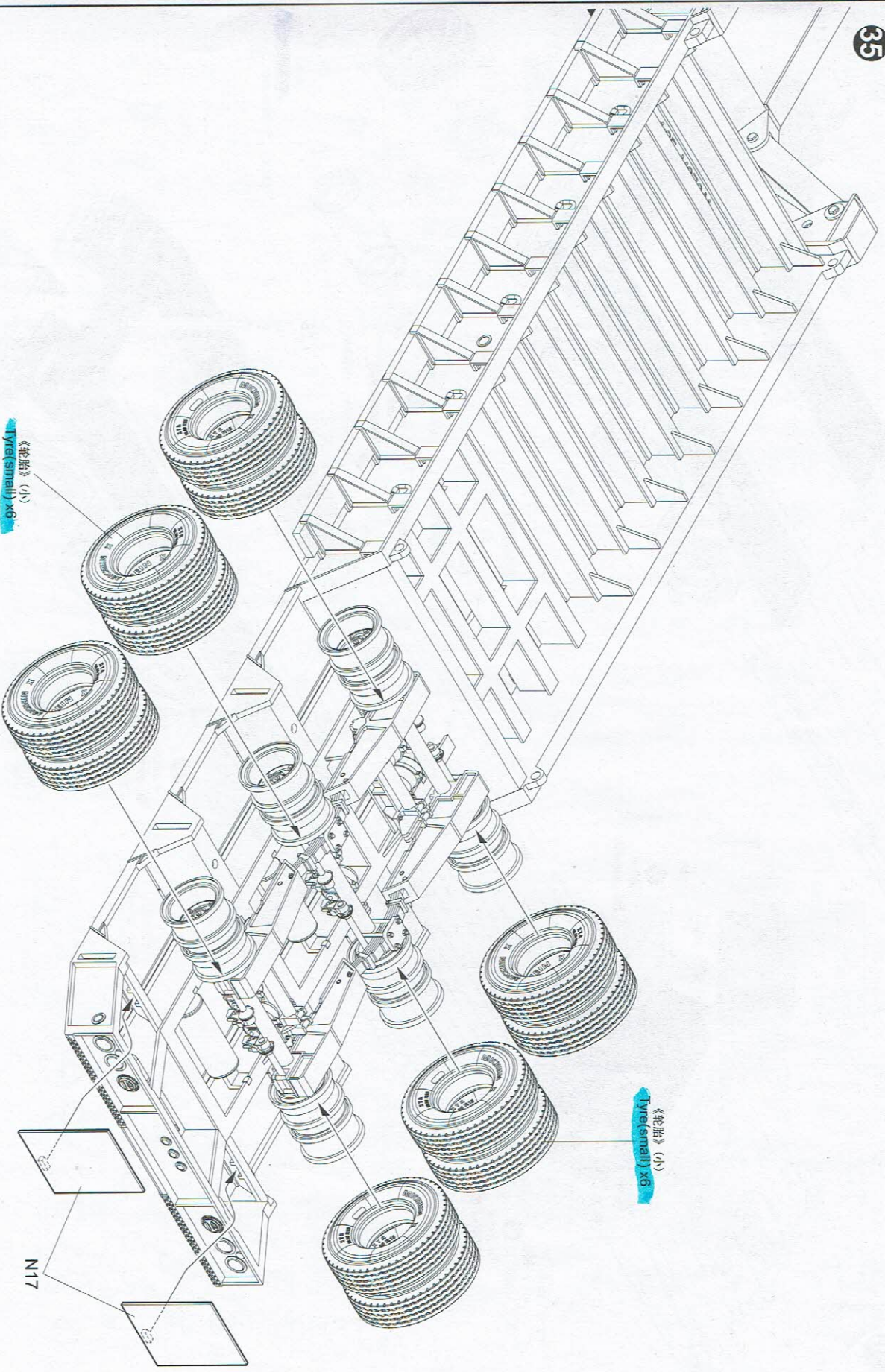


选择
Option
L2

不涂胶水
No cement



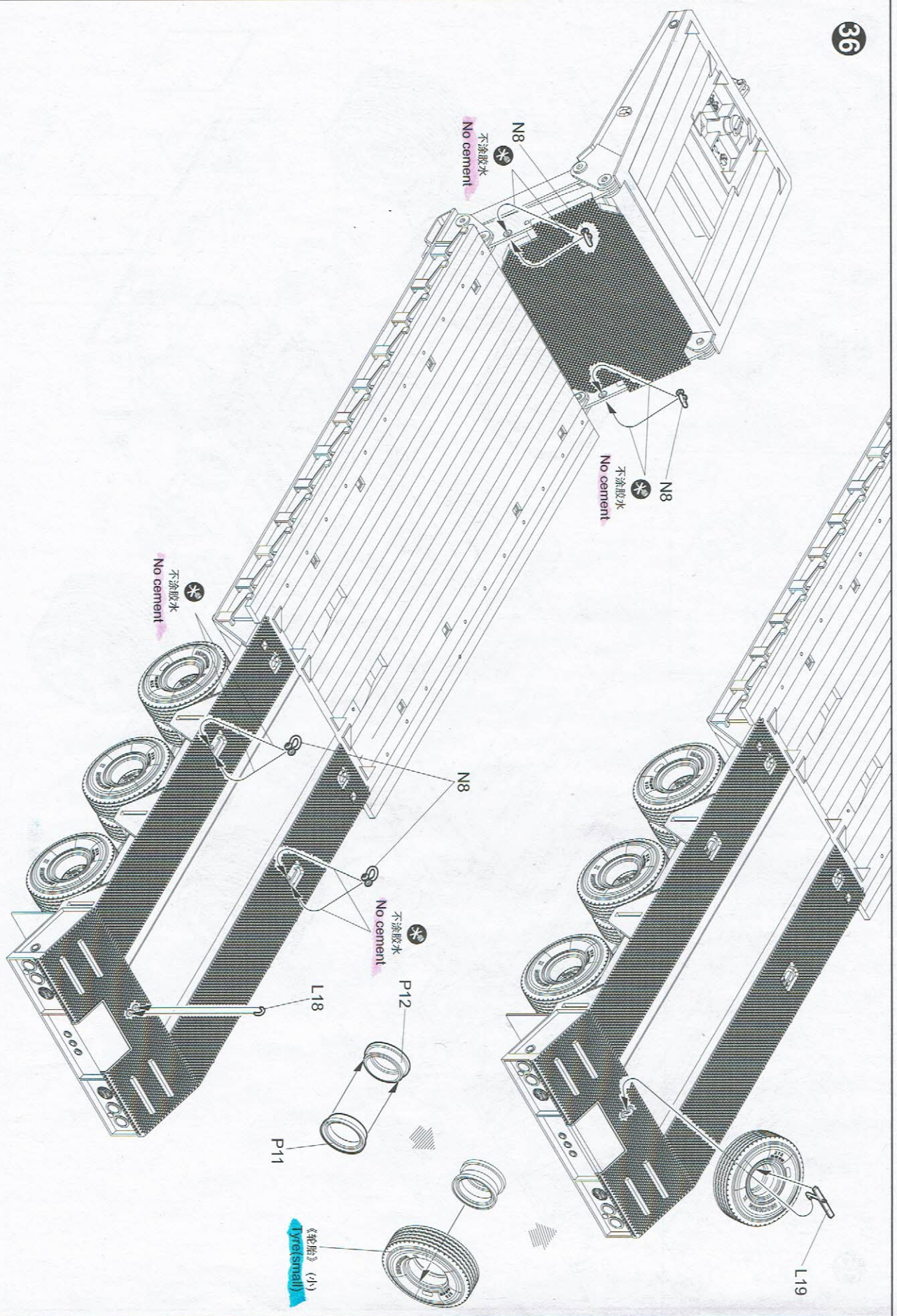
选择
Option
停放状态
Parking mode

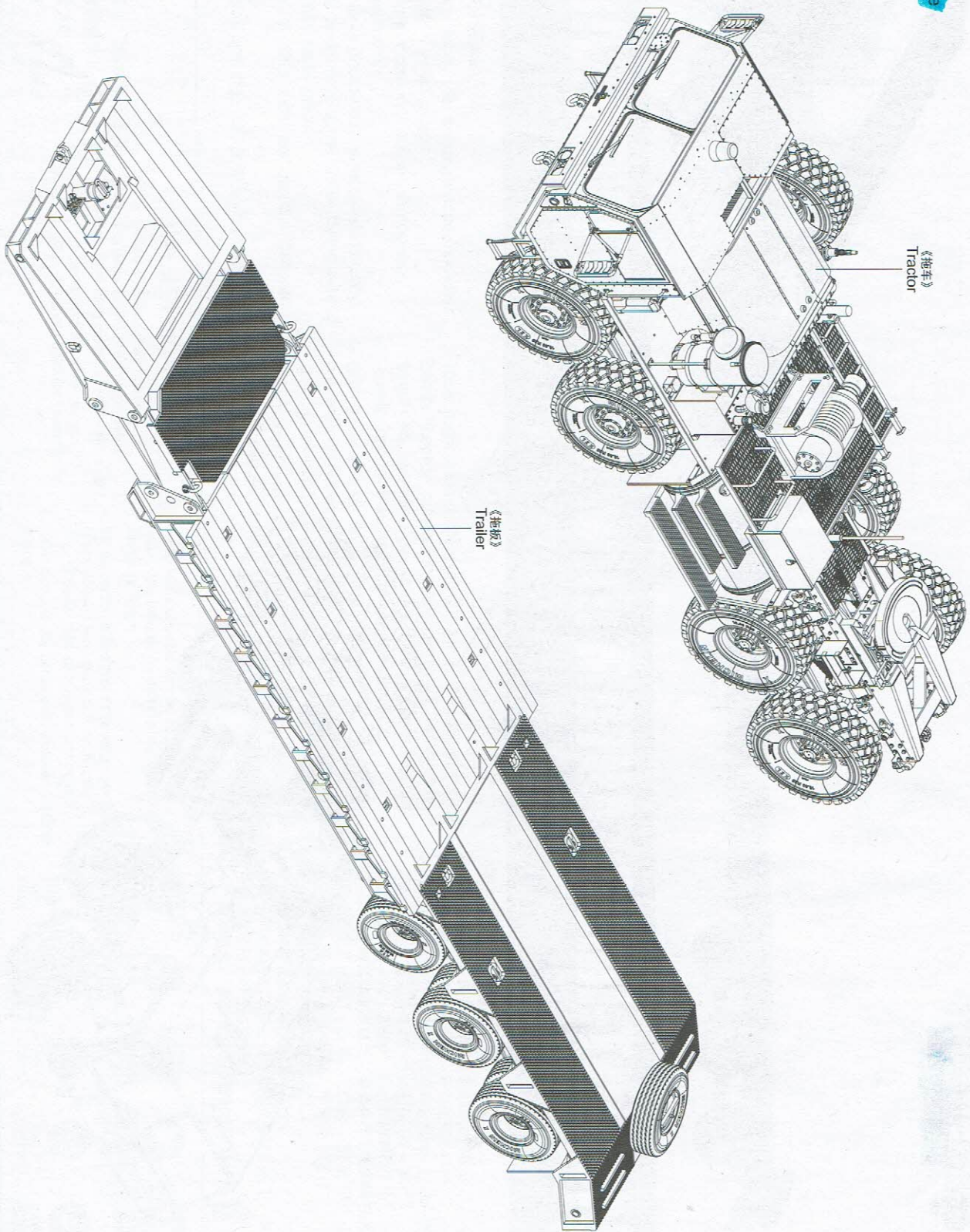


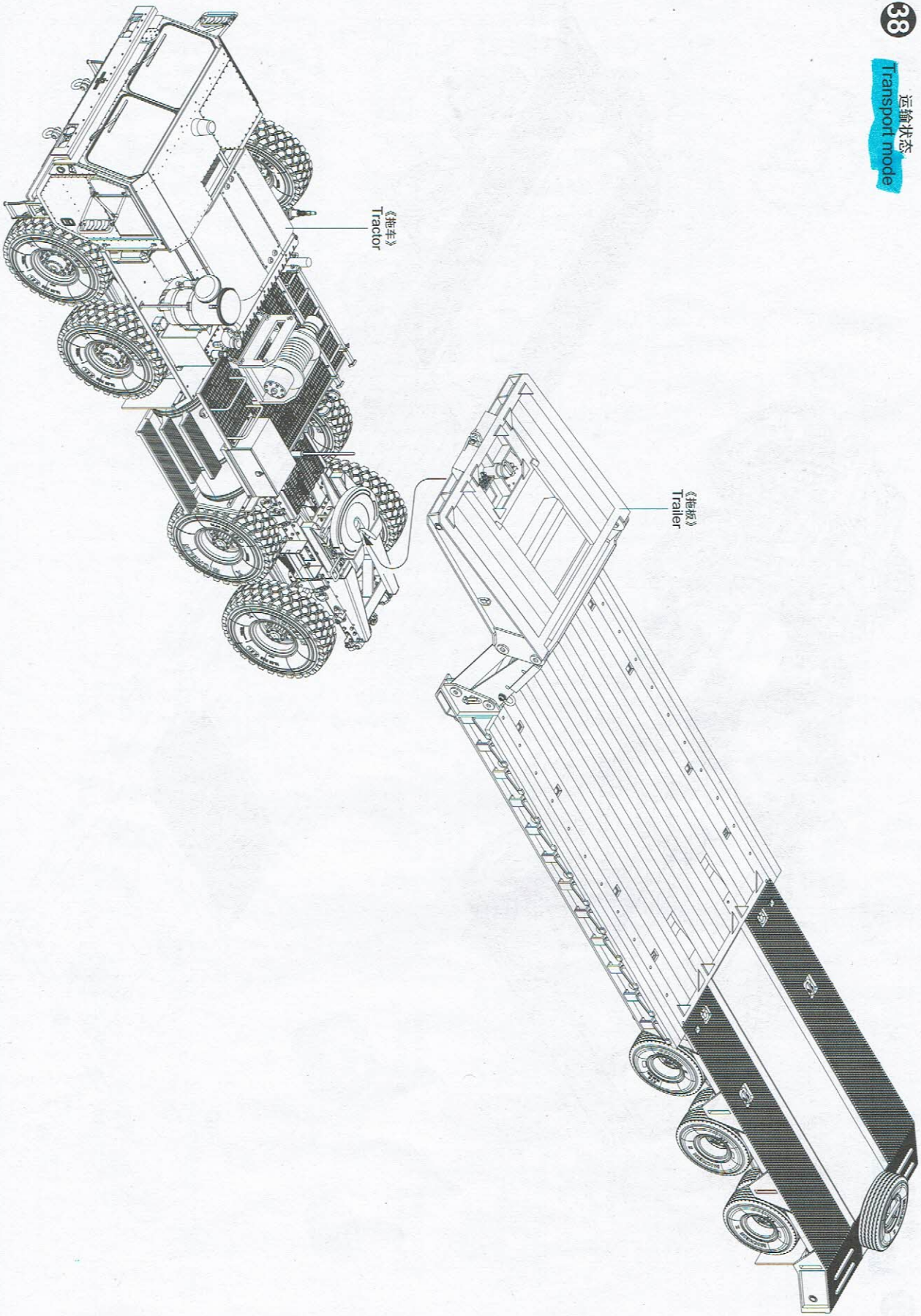
《轮胎》(小)
Tyre (small) x6

《轮胎》(小)
Tyre (small) x6

N17



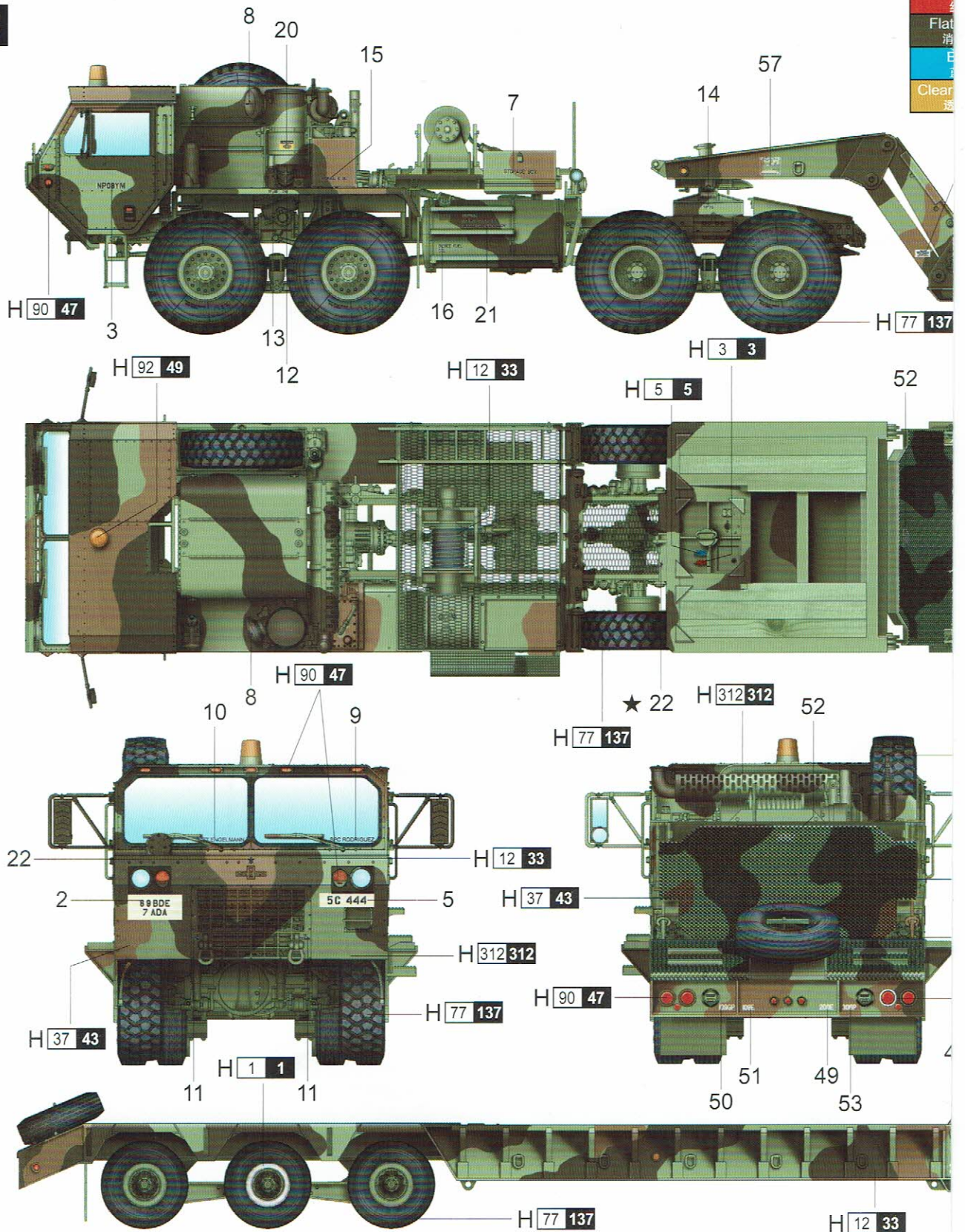




涂装同标贴指示 Painting & Marking guide

PAI
Co
V
F
Flat
消
E
Clear
透

B



H AQUEOUS HOBBY COLOR Mr. COLOR N ACRYCION COLOR

01055 1/35 M983A2 HEMTT Tractor with M870A1 Semi-Trailer

REFERENCE COLOR

Color	Mr.Hobby	Acrycion	Vallejo	Model Master	Tamiya	Humbrol	Color	Mr.Hobby	Acrycion	Vallejo	Model Master	Tamiya	Humbrol
Tire Black 胎黑色	H 1 1	N 1	842	1745	X2	22	Tire Black 胎黑色	H 77 137	N 77	—	—	—	—
Sandy Brown 沙褐色	H 3 3	N 3	903	1503	X7	19	Sandy Brown 沙褐色	H 19	N 19	—	—	—	—
Wood Brown 木棕色	H 12 33	N 12	950	1749	XF1	33	Wood Brown 木棕色	H 37 43	N 37	983	1701	—	186
Medium Grey Green 绿色	H 5 5	N 5	899	1772	X3	15	Medium Grey Green 绿色	H 312 312	N 312	—	1716	—	120
Clear Red 透明红	H 92 49	N 92	835	—	X26	—	Clear Red 透明红	H 90 47	N 90	934	—	X27	—

