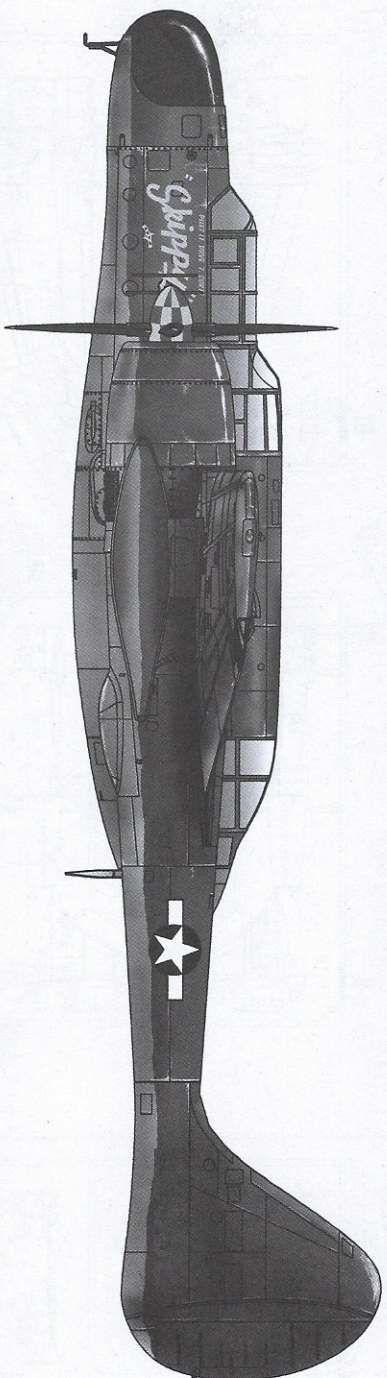


1:48 Scale

Item No.:81730



P-61A Black Widow

P-61A ブラックウイドウ 美国P-61A“黑寡妇”战斗机

PLEASE READ BEFORE OPERATION!

* Tools recommended as below: (Not included)

Adhesives: Paints: Side Cutters: Sharp Edged Pliers: Modeling Knife: Modeling

File: Nippers: Drill: Scissors: Sand Paper: Soft Cloth: Cyanoacrylate Glue.

* Make sure to read this instruction listed below before assembling.

* The kit contains the small parts, they can be dangerous if swallowed by mistake, so keep them away from reach of children.

* Cut the all parts off carefully and remove the waste parts into the garbage can.

* More caution and care should be needed for cutting and handling the photo etched parts.

* Make attention that some parts should be attached the decal when assembled.

* During assembling, please tear up and throw away the plastic bags, or may cause

the dangerous if wearing over head by children's mistake.

* When using the adhesives and paints, please do not use them in the closed room

or near the fire, also must be very careful to protect your eyes, face and clothes.

* Adult supervised when assembled by children under 14 years old.

装配前请仔细阅读:

* 推荐使用的模型工具(请自备):

专用模型胶水, 专用模型油漆, 水口剪刀, 长咀钳, 刀片, 锉刀, 镊子钳, 钻, 剪刀, 帆布, 砂纸, 瞬间快干胶等。

* 用水口剪刀或刀片小心切下所有塑胶零件和蚀刻片零件, 不要遗失小零件。

* 切取蚀刻片时应特别注意防止利边划伤手指。

* 用模型锉刀小心锉平所有零件表面的注射浇口。

* 用适量的强力快干胶水粘合蚀刻片零件和金属轴, 切忌过

量, 否则可能导致可动零件被粘住。

* 注意某些零件表面需在装配时同步贴上水贴纸。

* 制作时应远离幼儿并将包装袋及时收妥, 谨防小孩玩耍而引起意外。

The method to apply the decals

1. Cut off the decal from the decal paper and put it into

the warm water 40 °C for 10 seconds.

2. Take the decal from the water and put it on a piece

of clean cloth.

3. Remove the decal slowly from the paper to the

targeted location by a wet finger.

4. Use a piece of dry and soft cloth to press it gently on

the decal until it getting dry and no bubble existing.

水贴纸的使用方法:

一. 把相关的印花从水贴纸上剪下, 放入40℃左右的

温水中浸10秒。

二. 然后将印花放在干净的布上。

三. 拿上印花纸版, 手指蘸水将印花移到适当的位置。

四. 用软干布轻压印花直至水干, 气泡消失。



cyanoacrylate glue

强力胶



weight

配重



make hole

钻孔



cut / remove

切除



option

选择



no cement

不涂胶水



decal

贴纸



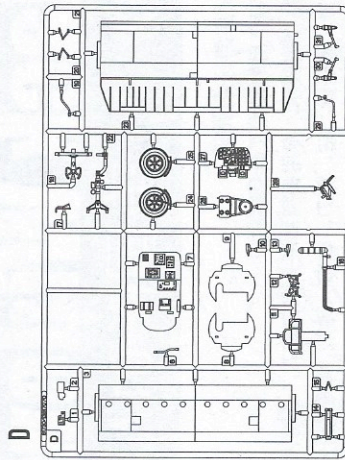
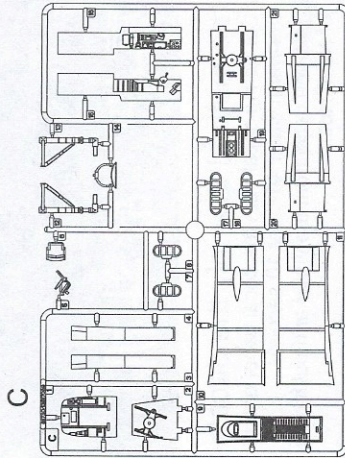
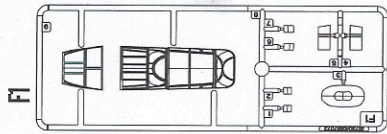
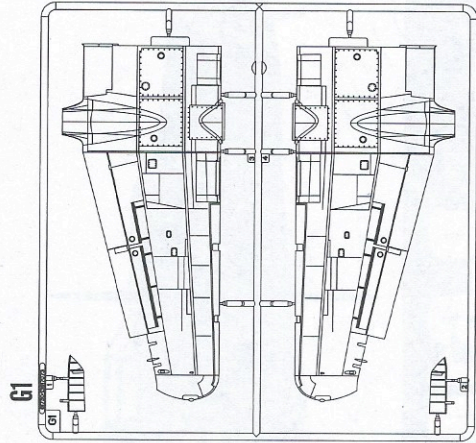
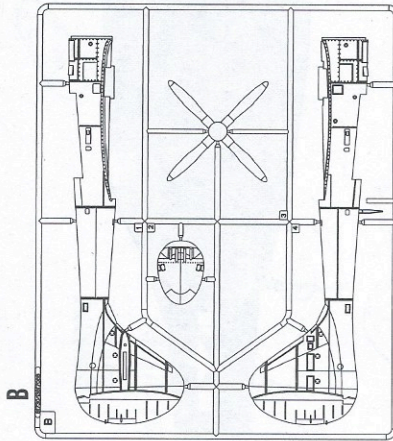
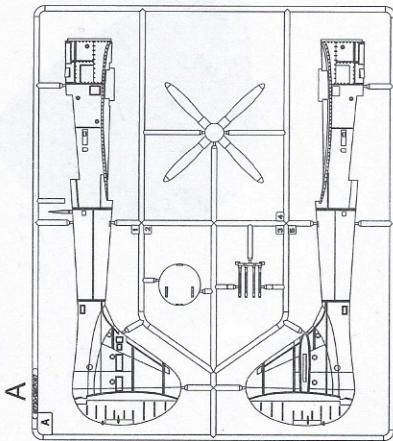
bend

弯曲

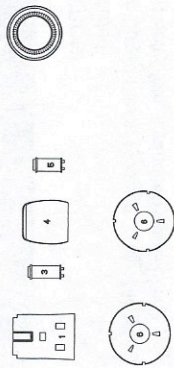


repair

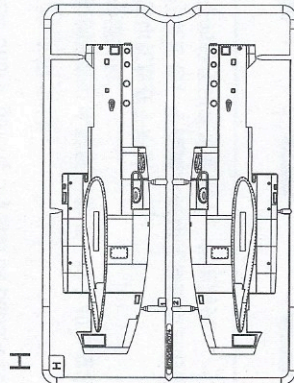
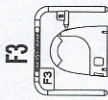
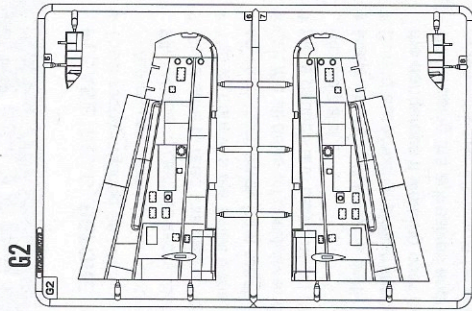
填补



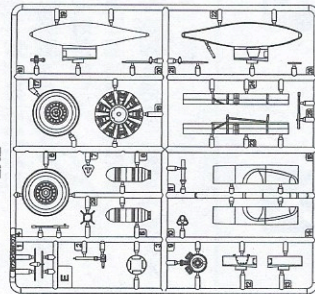
《金属部件》
Metal part



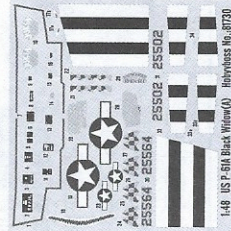
《引擎罩》x2
Cowling



EY2



水贴
Decal

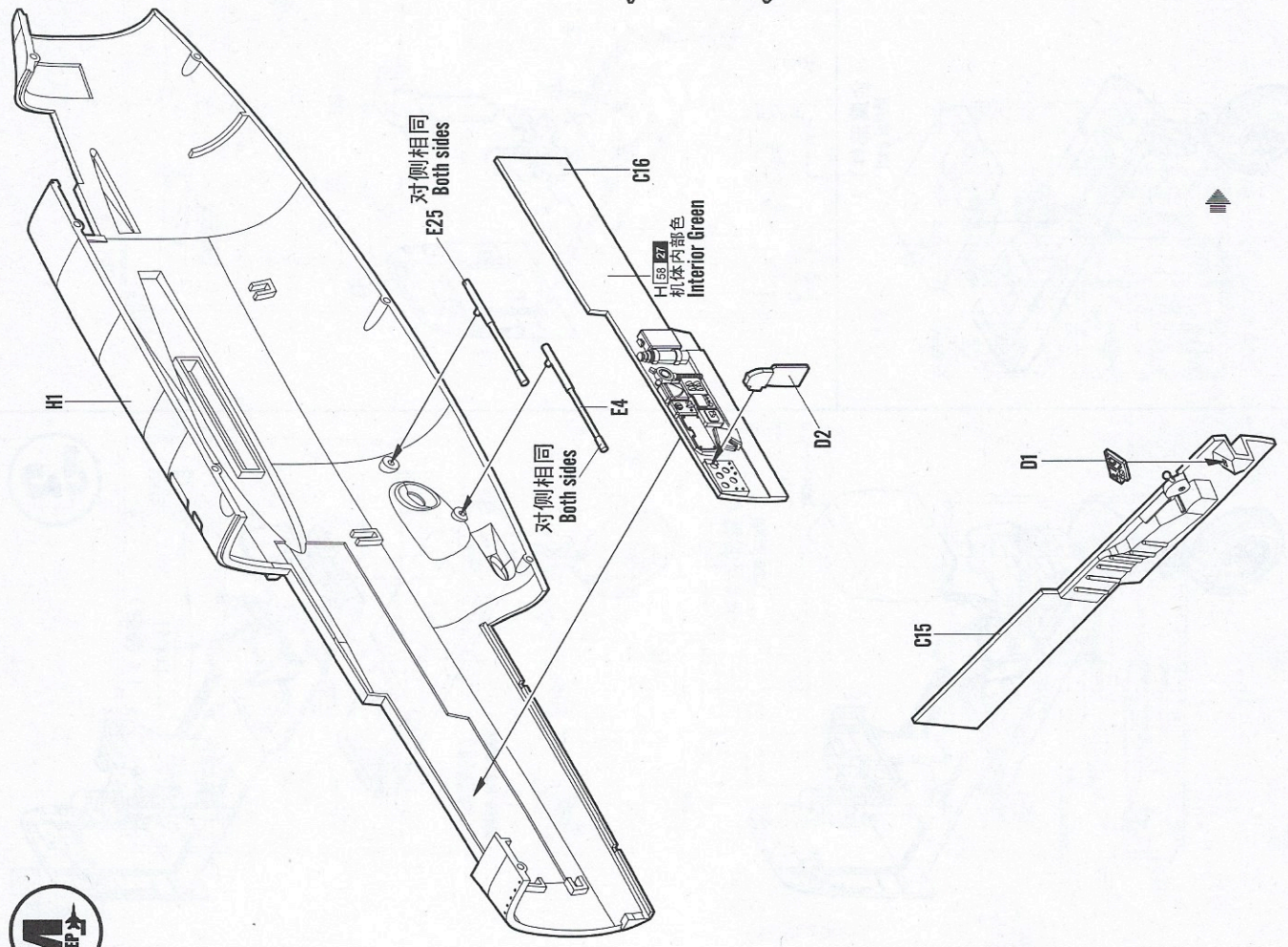
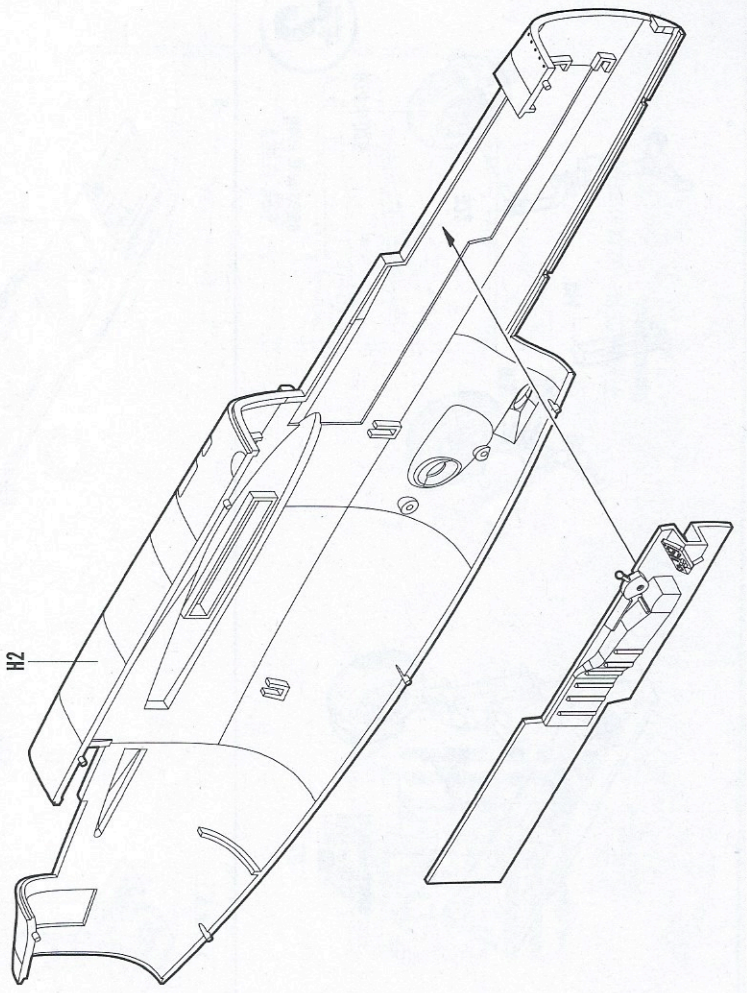
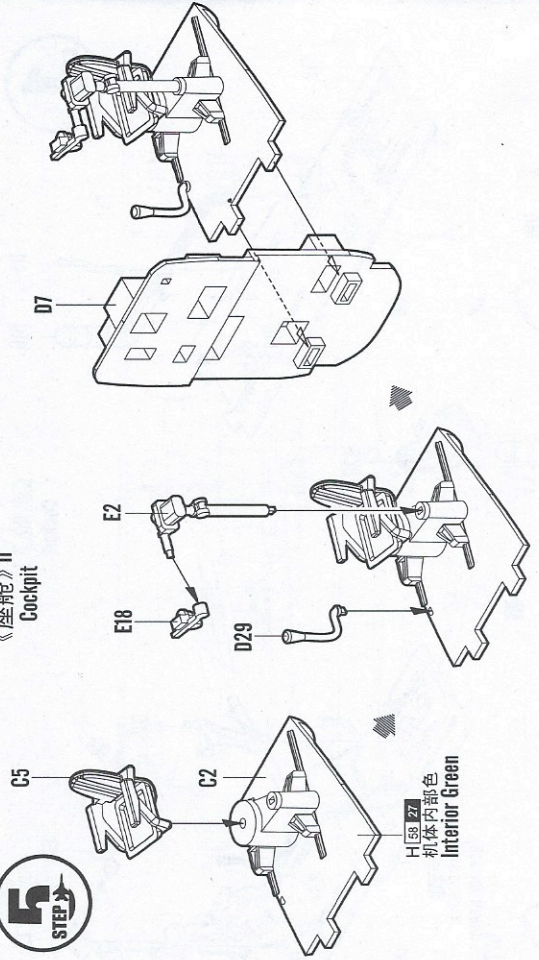


1:48 US F-50 Black Widow(O) Hobbyboss No. 81730
Hobbyboss No.81730
1:48 Black Widow(O)

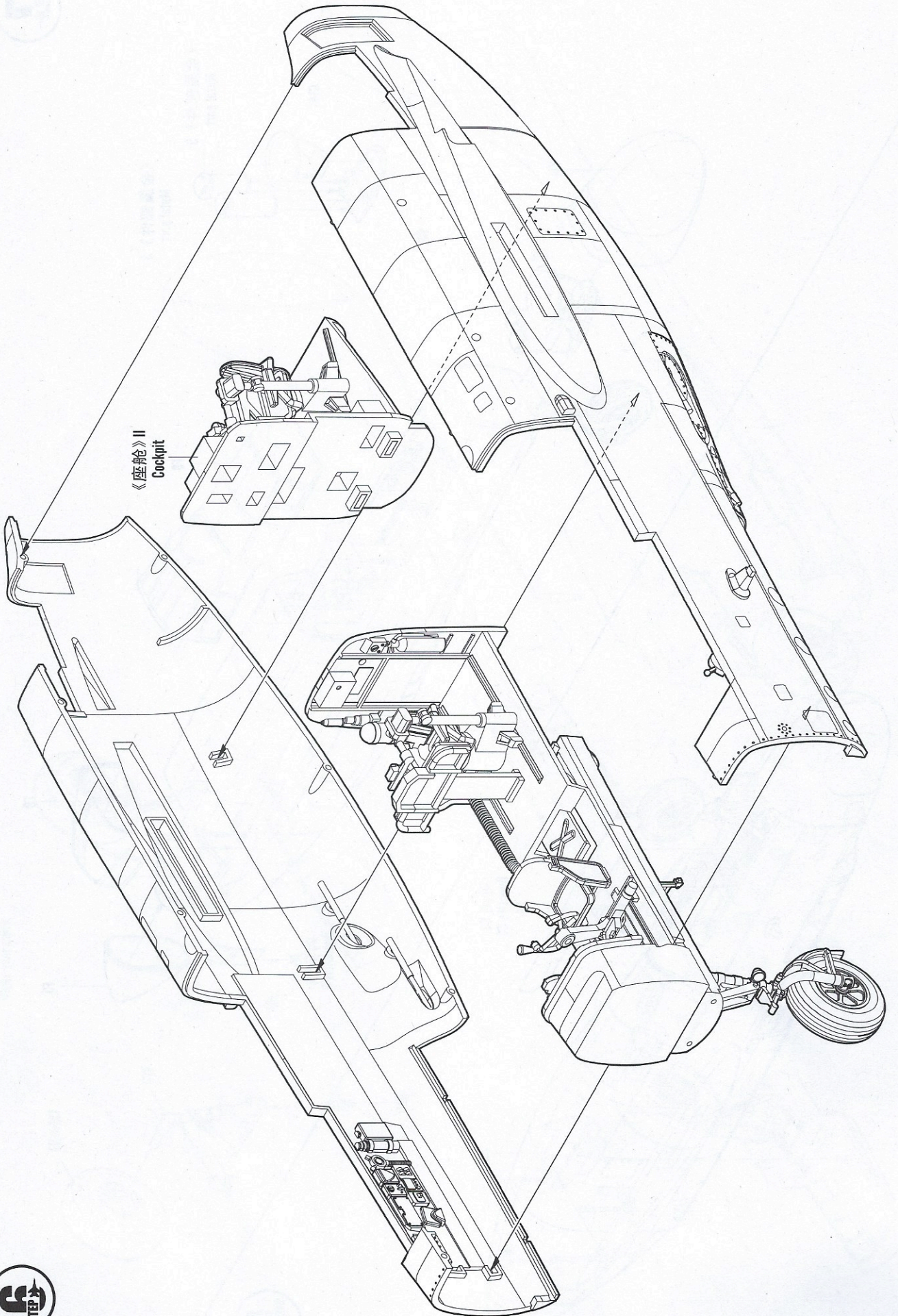
不用的部件:
Unused parts
A2,A3,B2,D4,D5,P2

STEP 5

《座舱》II
Cockpit



STEP 4

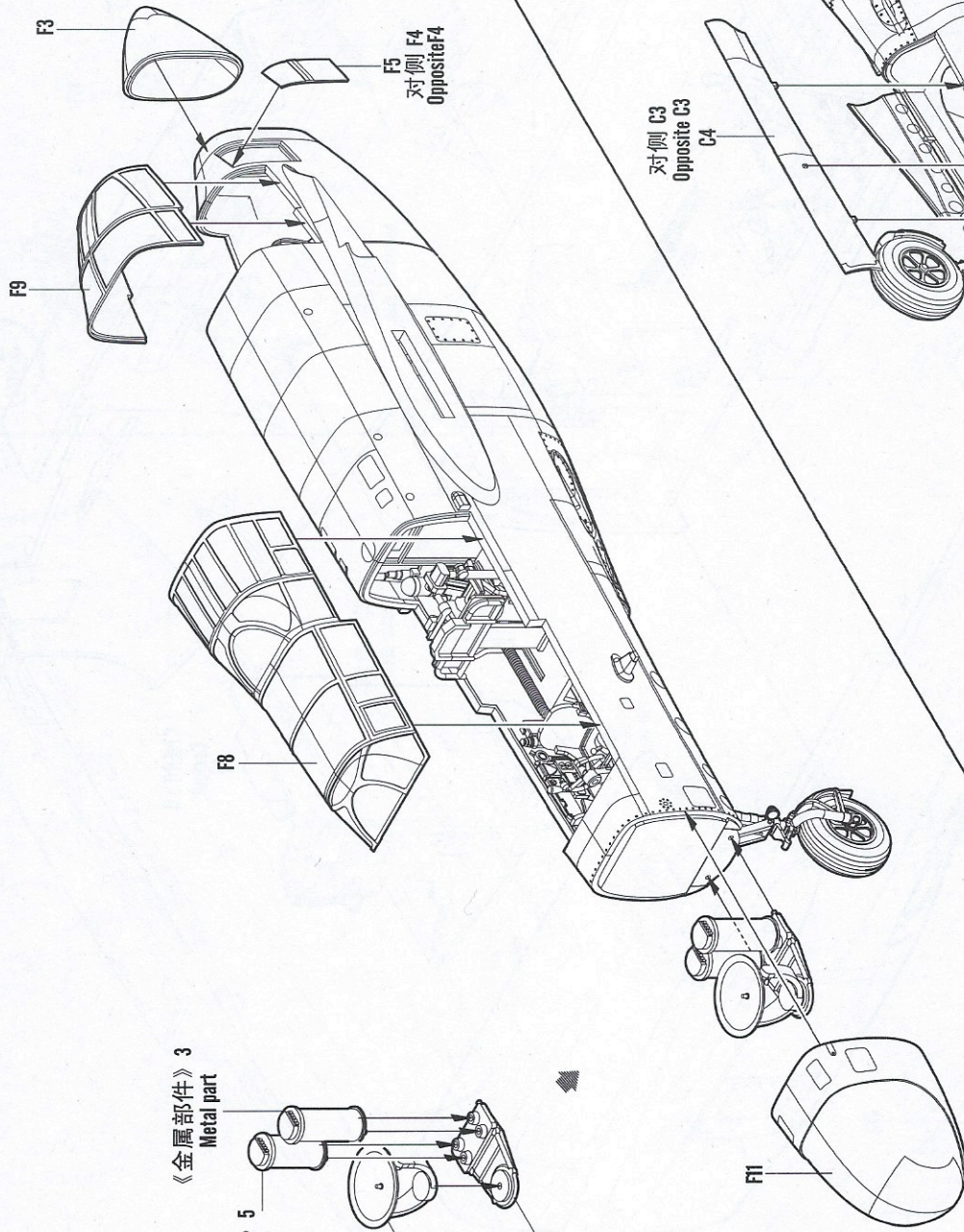
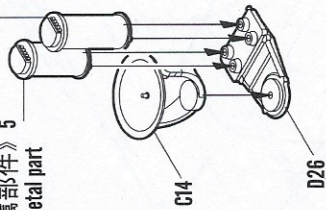


《座舱》II
Cockpit

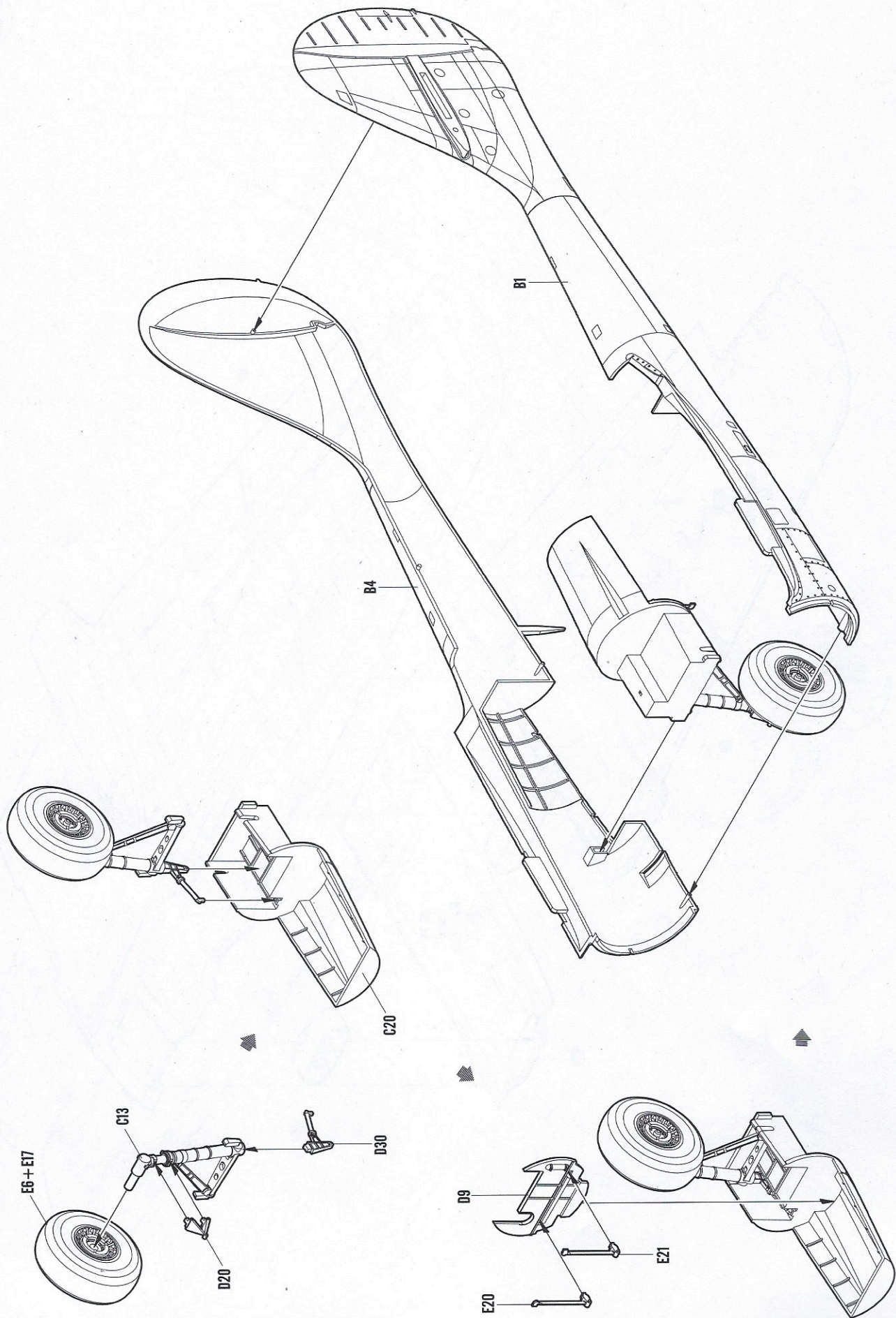


《金属部件》3
Metal part

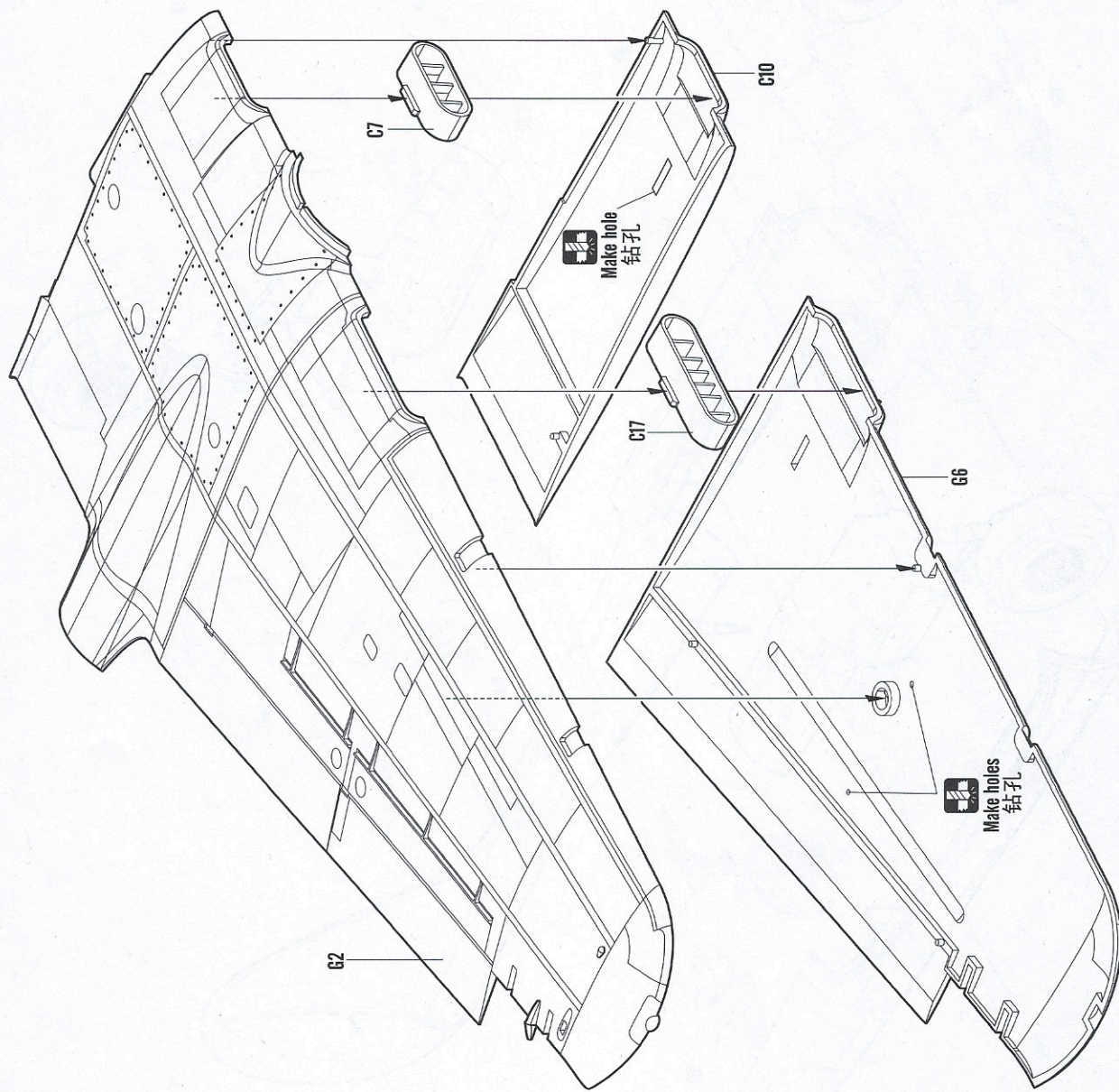
《金属部件》5
Metal part



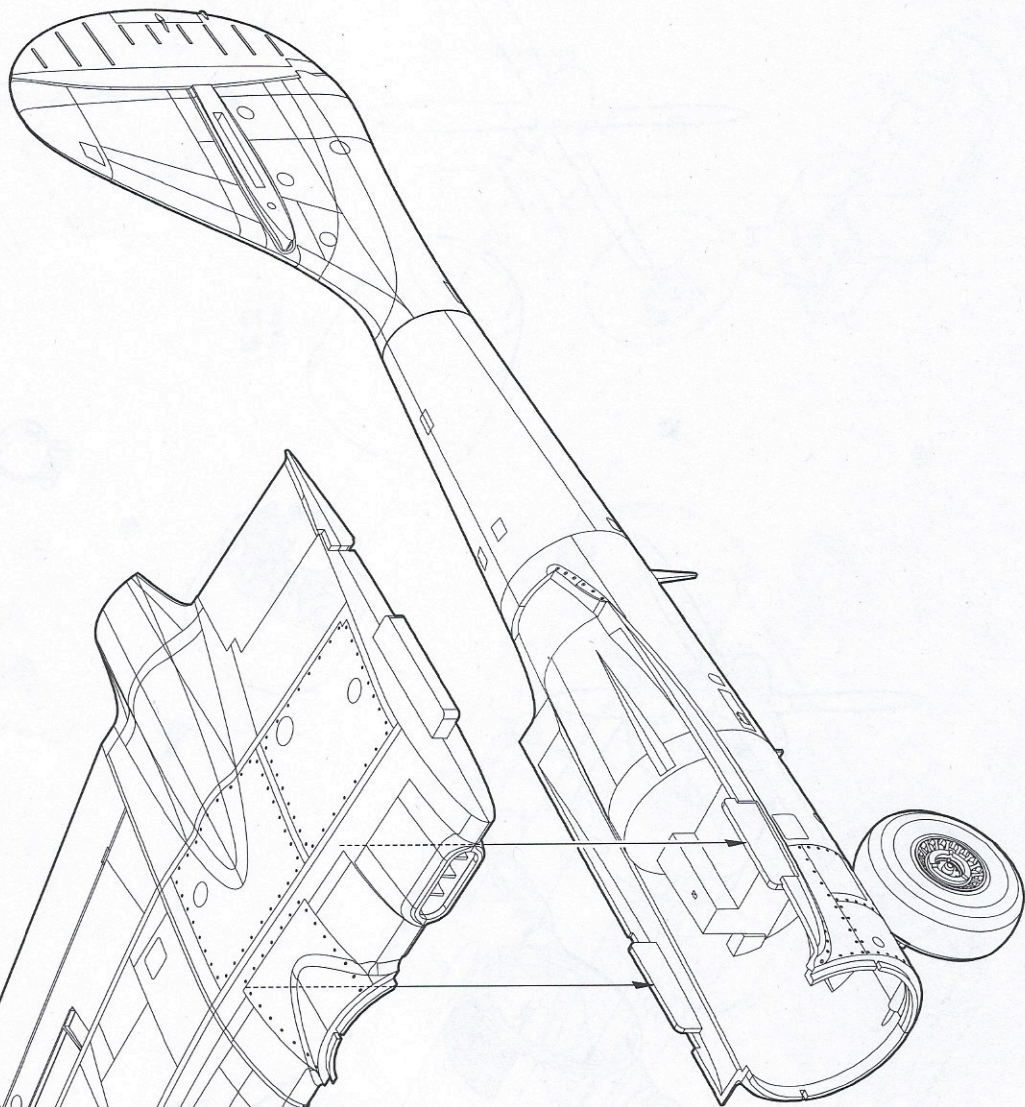
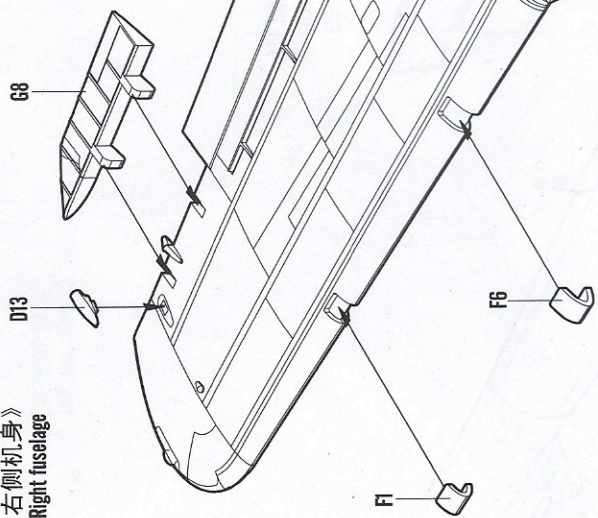
《右侧轮舱》
Right gear cabin

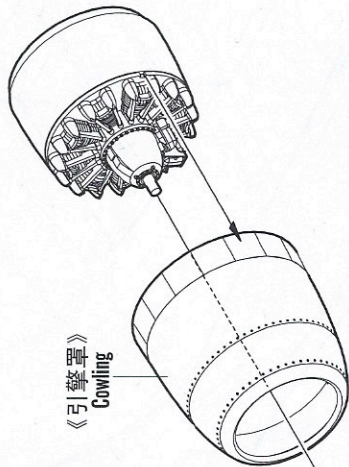
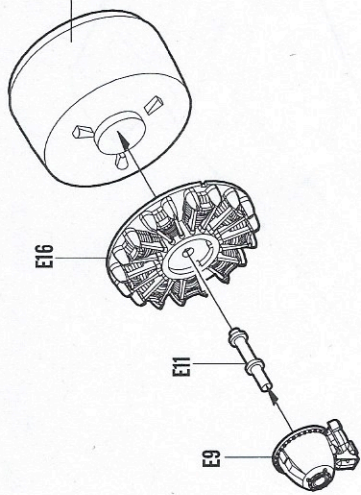
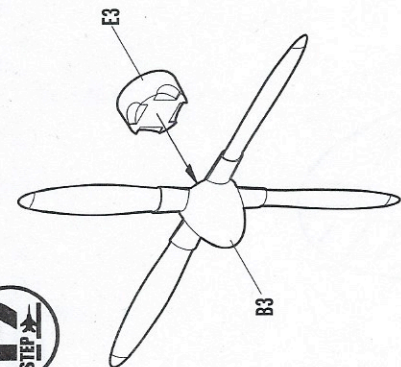


《右侧机翼》
Right wing

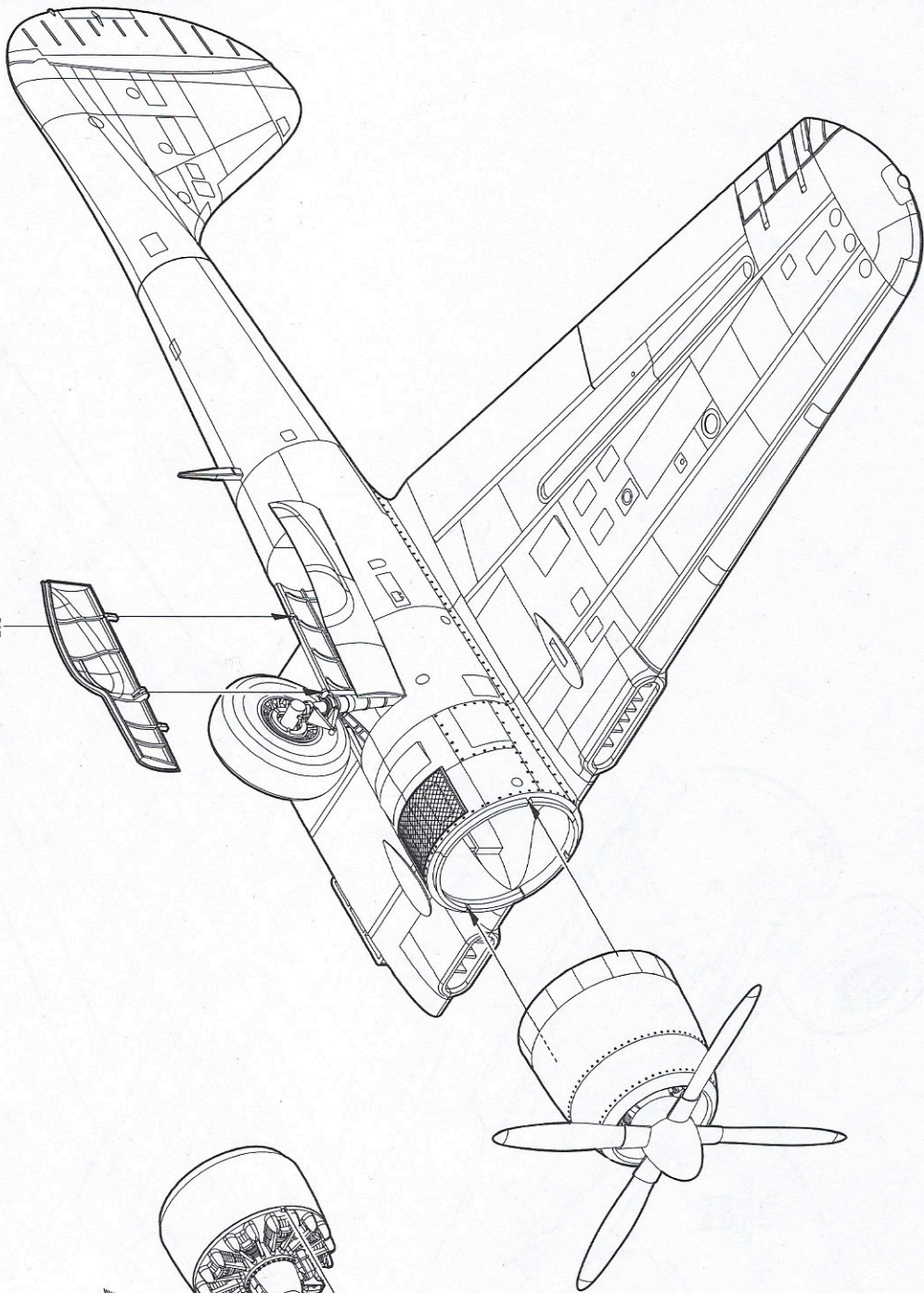


《右侧机身》
Right fuselage



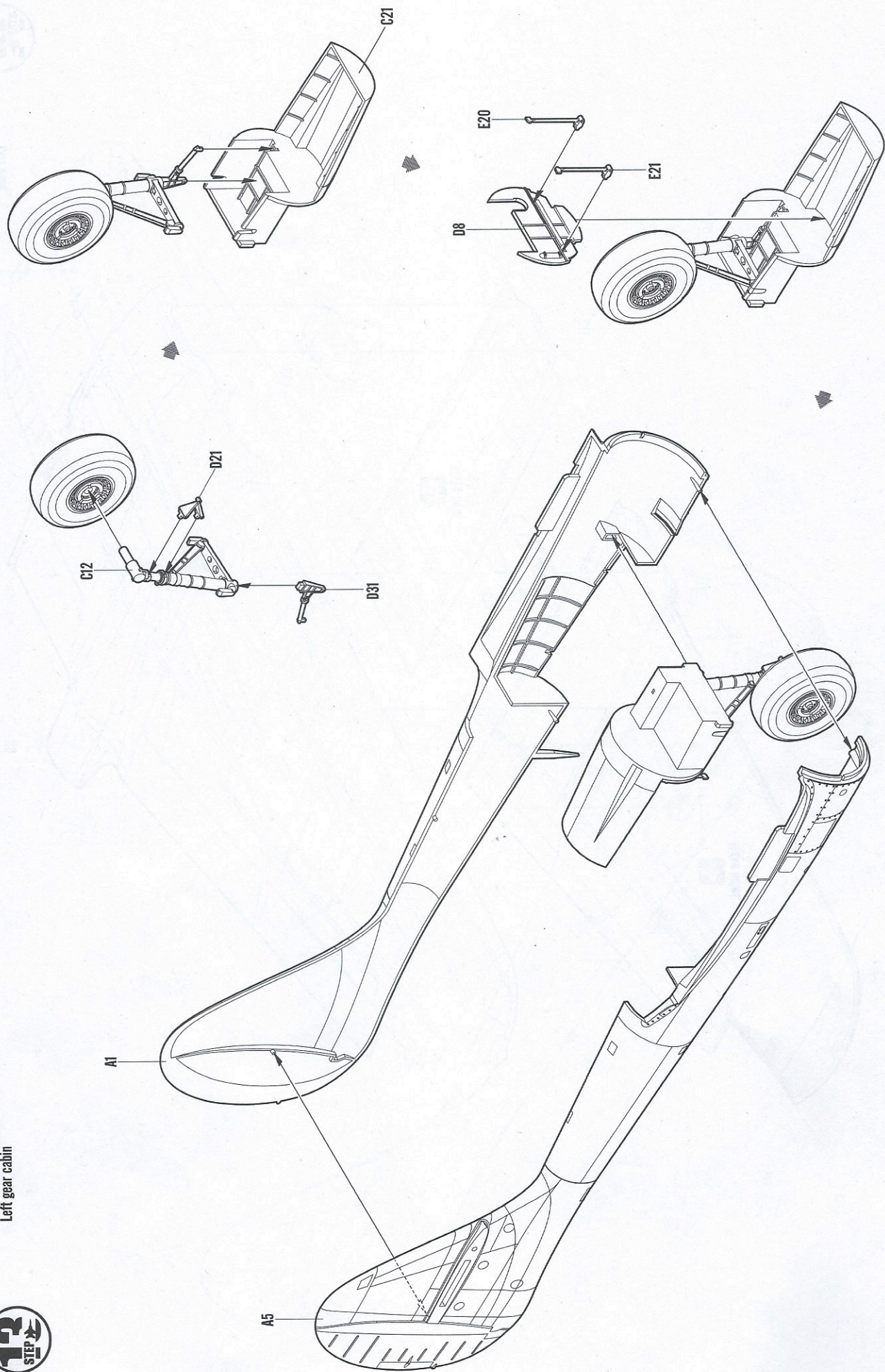


对侧 E14
Opposite E14
E15

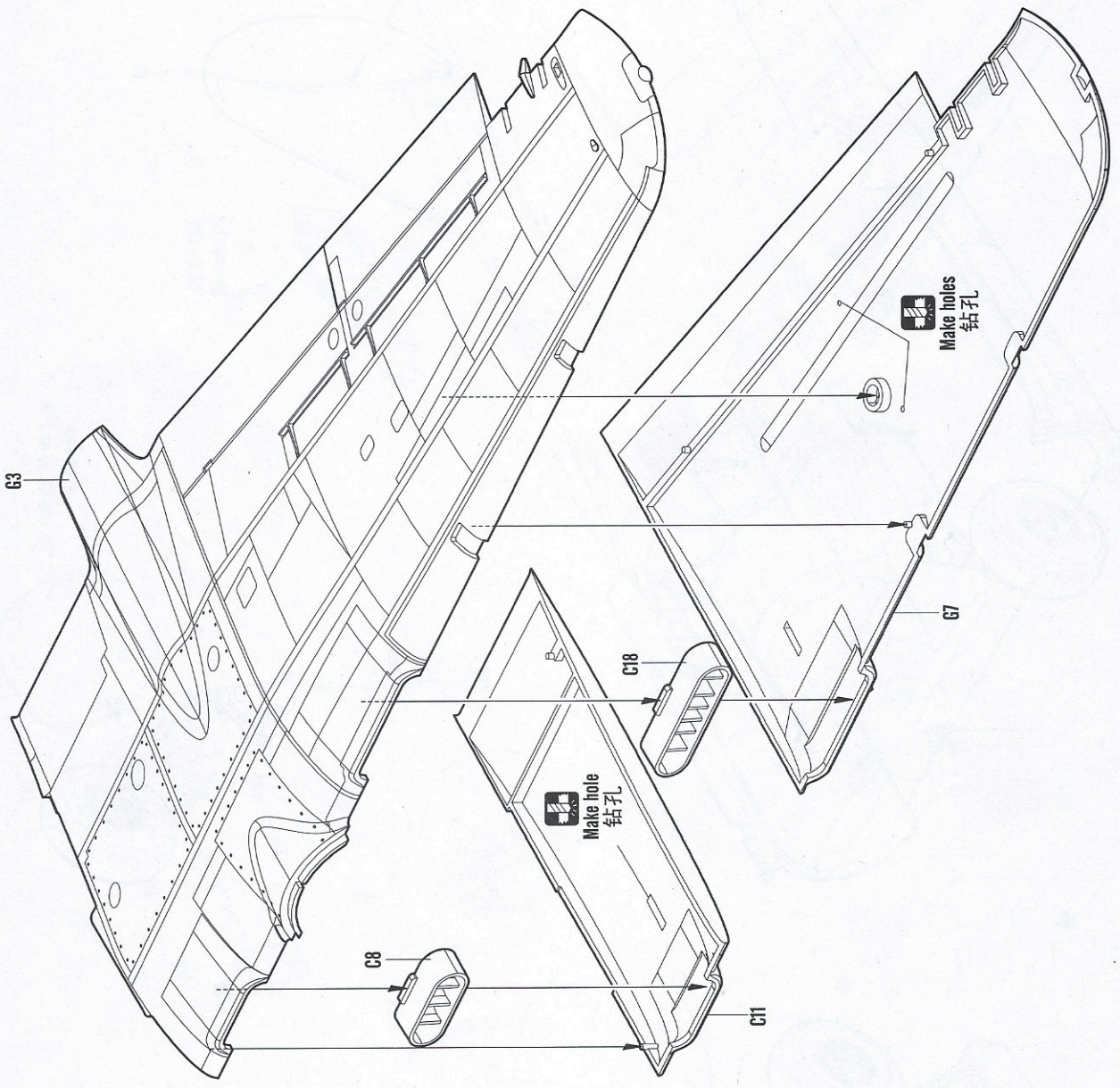


《左侧轮毂》
Left gear cabin

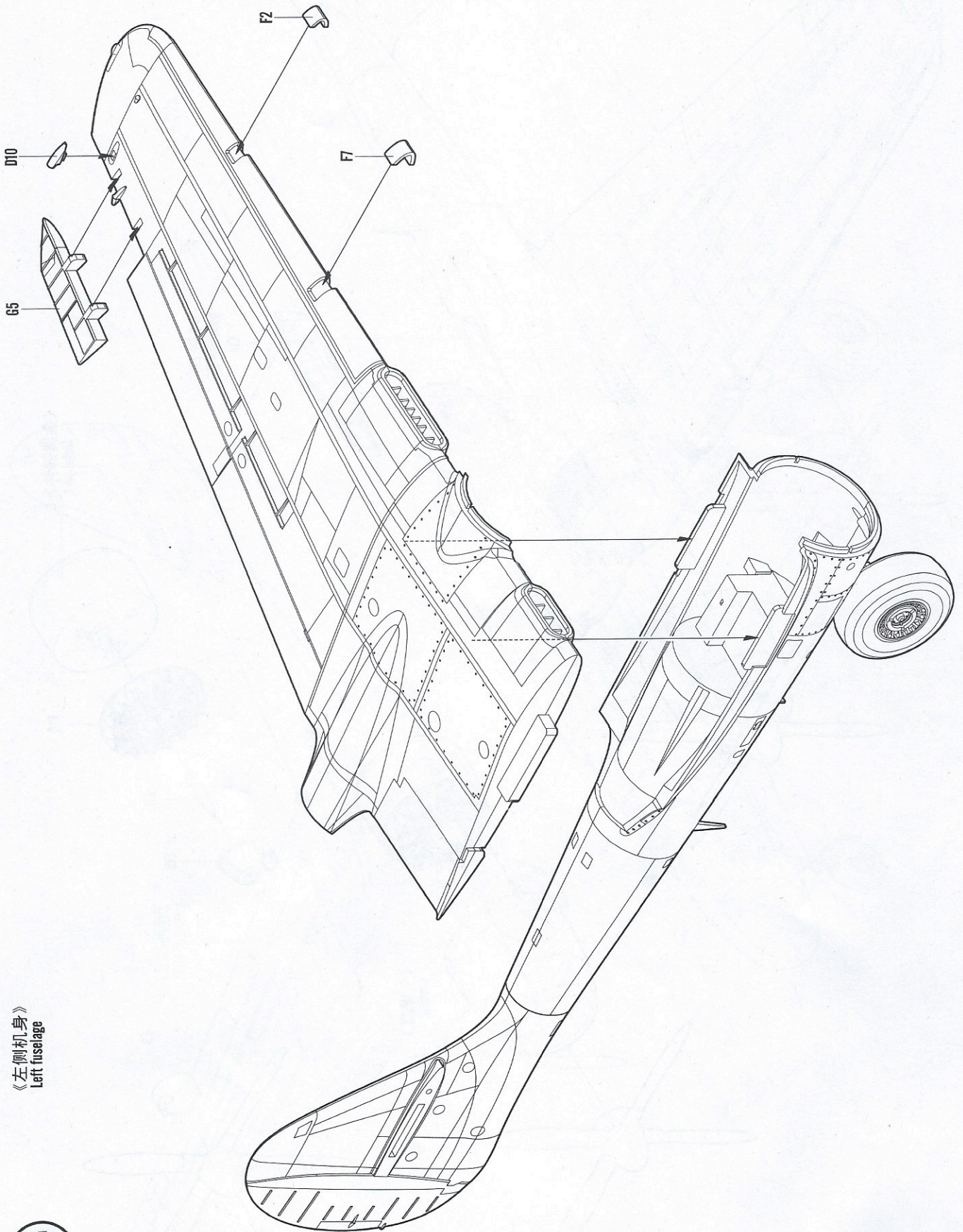
13
STEP



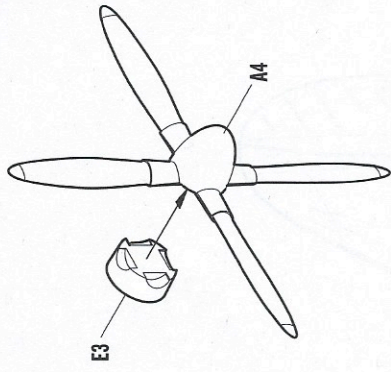
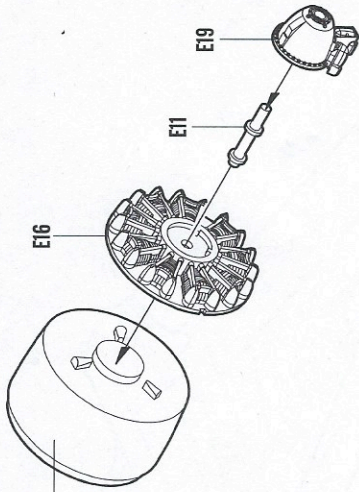
《左侧机翼》
Left wing



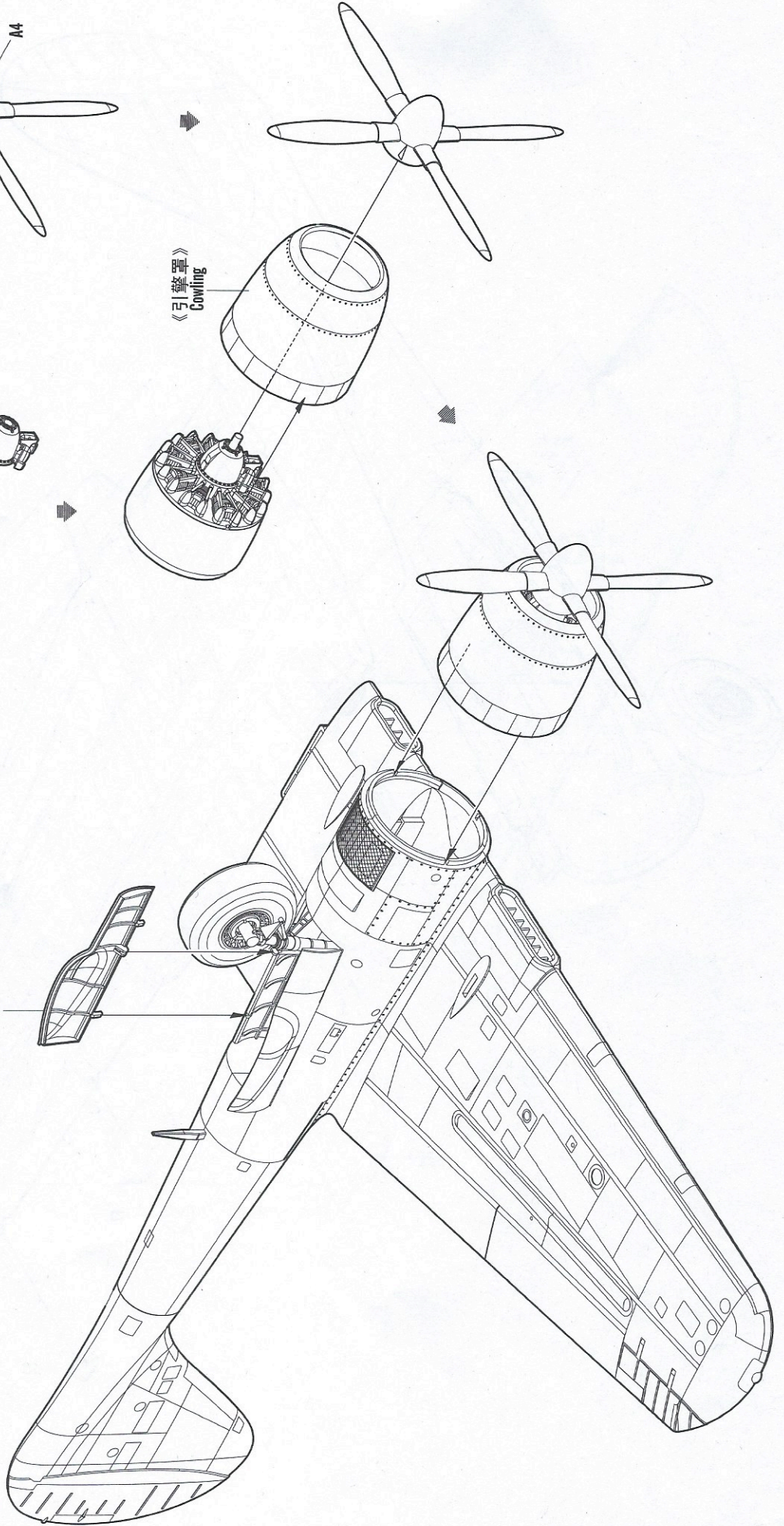
《左侧机身》
Left fuselage

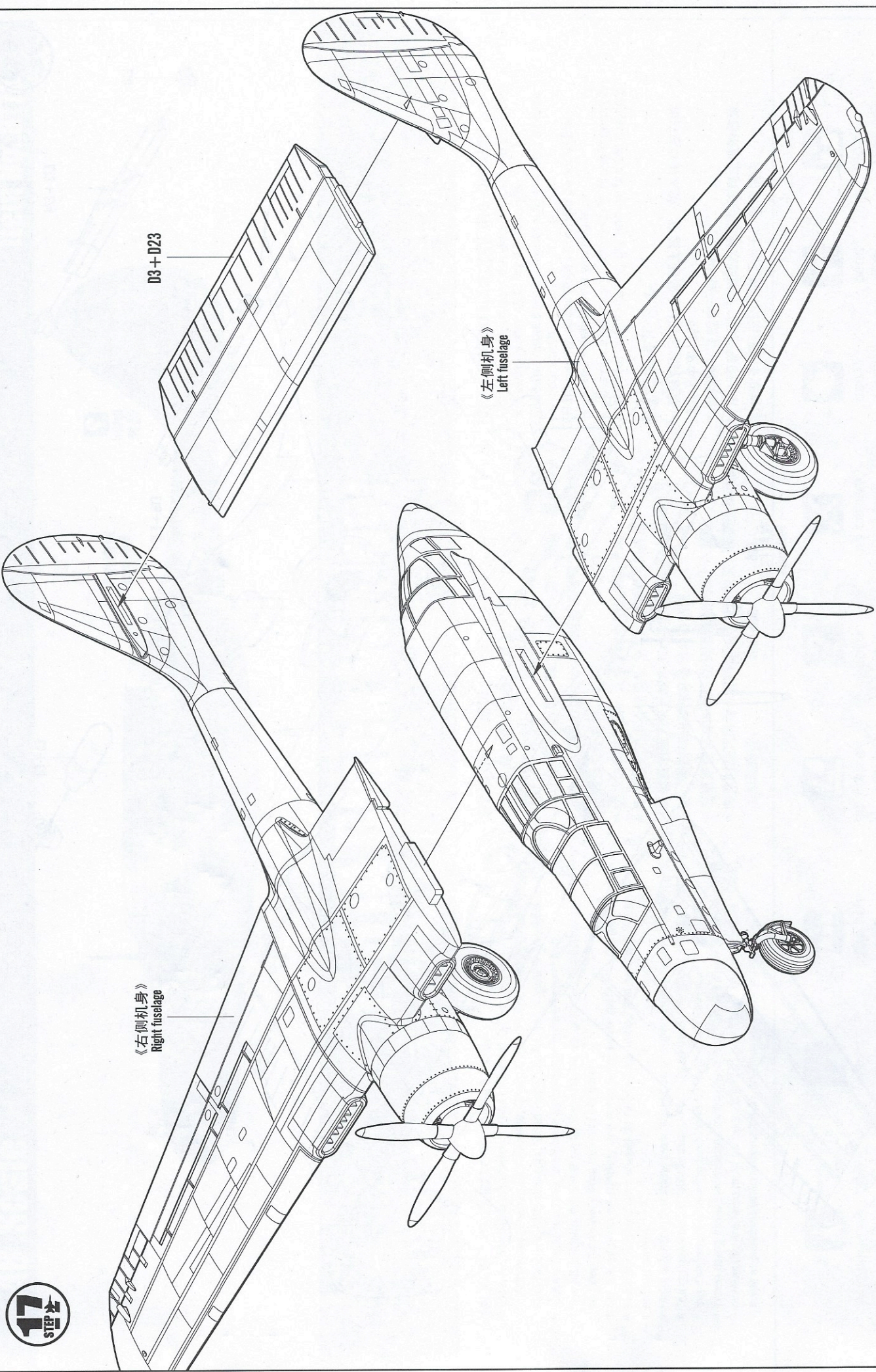


《金属部件》6
Metal part



对侧 E15
Opposite E15
E14



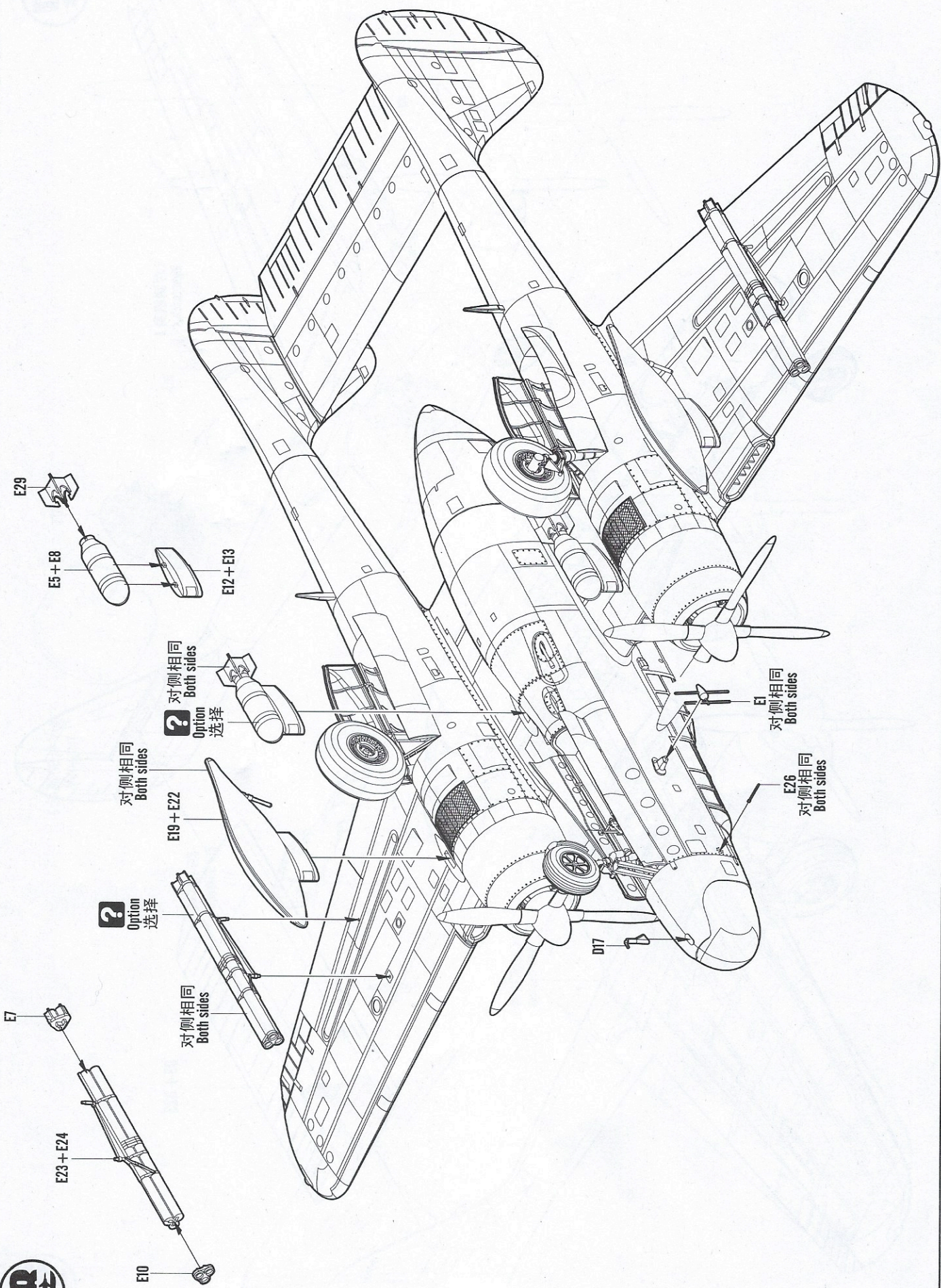


D3 + D23

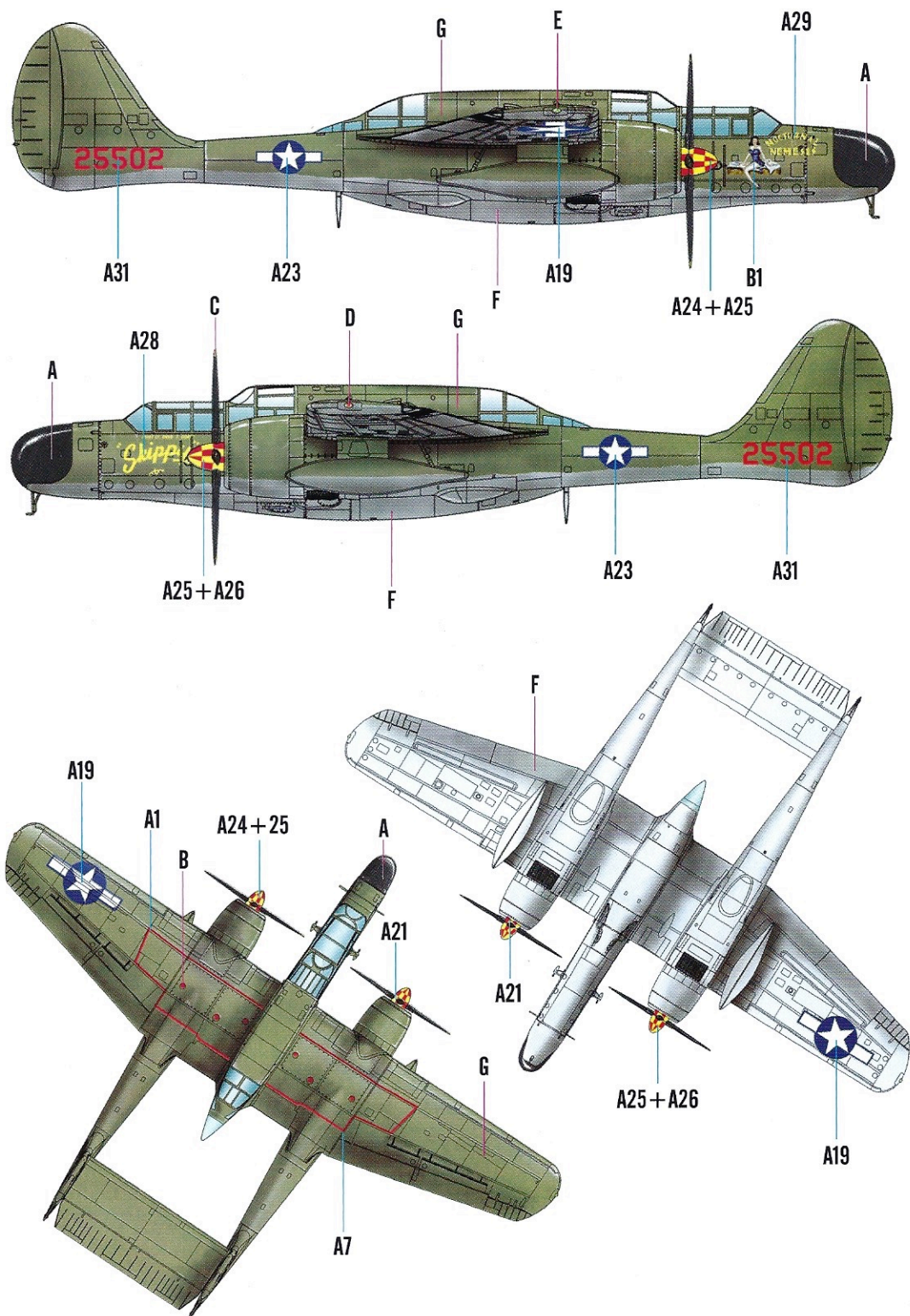
《左侧机身》
Left fuselage

《右侧机身》
Right fuselage

17
STEP

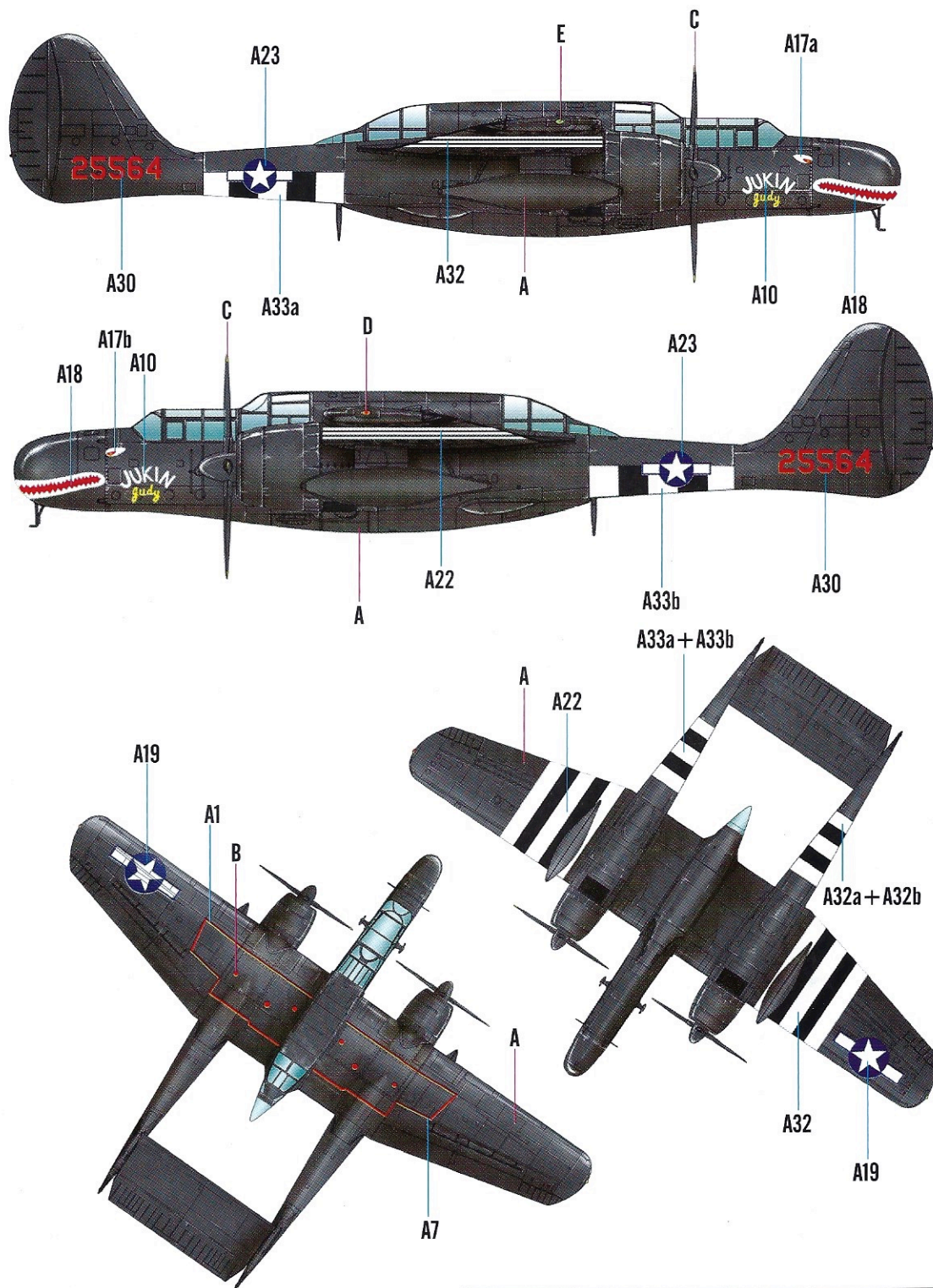


I S Air Force, 421st Night Fighter Squadron,
P-61A-1-NO 'Skippy/Nocturnal Nemesis', 25502(42-5502)



Color	Mr.Hobby	Vallejo	Model Master	Tamiya	Humbrol
A 消光黑 Flat Black	H 12 33	950	1749	XF1	33
B 红 Red	H 3 3	908	1503	X7	19
C 黄色 Yellow	H 4 4	953	1514	X8	69

II US Air Force, 422nd Night Fighter Squadron,
P-61A-5-NO 'Jukin Judy', 25564(42-5564)



Color	Mr.Hobby	Vallejo	Model Master	Tamiya	Humbrol
D 透明红 Clear Red	H 90 47	934	-	A65	-
E 透明绿 Clear Green	H 138	936	-	X25	-
F 灰色 Gray	H 22 13	992	-	-	5
G 橄榄绿 Olive Drab	H 304 304	887	1711	XF62	155