



P-40B/C TOMAHAWK

1/72 scale

One of the most familiar aircraft of the Second World War was the famous Curtiss P-40. Originally flown in 1938, the first P-40 was actually a modified P-36 using an inline Allison engine instead of the P-36's bulky radial type.

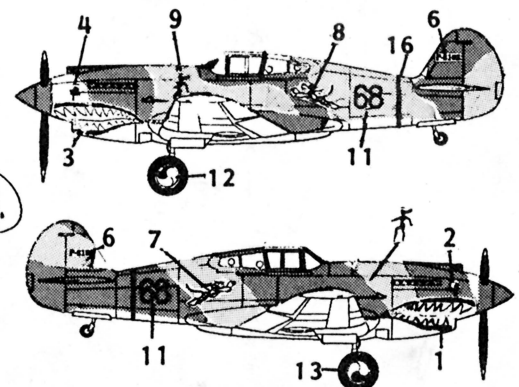
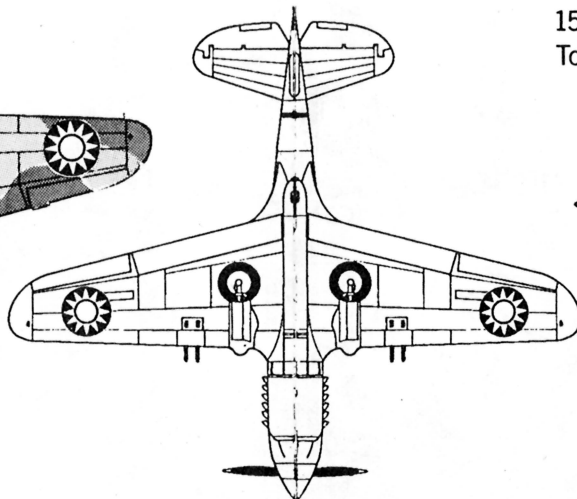
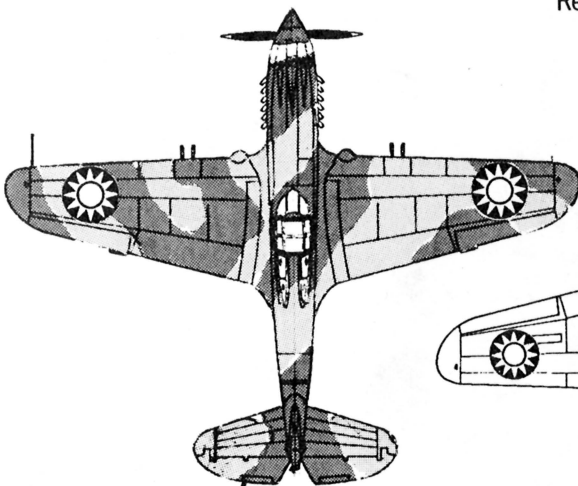
The improvement over the P-36 was clear. Now the U.S. Army had a fighter with the performance of a Hurricane or Messerschmitt. When the war broke out in Europe, France placed an order for the new Curtiss fighter, but these were deferred to England when the Germans overran France. The British, impressed by the performance of the P-40, placed an additional order for the Tomahawk, as it was now called. These were classed as P-40B types, and from this group came the planes which would gain fame as the Flying Tigers. The P-40C for the U.S. Army was nearly identical to the "B" models.

The Chinese, in need of a modern fighter to defend

against the invading Japanese, received a shipment of the British Tomahawks, and with them the renowned Flying Tiger group was formed. This group, under the command of General Claire Chenault, was made up of American volunteer pilots. Officially, they were known as the American Volunteer Group, or AVG, and each American pilot received a bonus in gold for every enemy plane he destroyed. The large radiator opening under the nose of the P-40 became the location of the familiar shark mouth design, which, although originally applied to British P-40s in Africa, soon became the identifying feature of the Flying Tiger aircraft.

This Minicraft/Academy model of the Curtiss P-40B/C carries the markings of the plane flown by Charles Older, of the 3rd squadron, "Hell's Angels", AVG, based at Kunming, China in the spring of 1942.

Refer to box top for additional Paint and decal information
 Minicraft Models, Inc.
 1510W. 228th St.
 Torrance, Calif. 90501





Cement Parts
Coller
Kleben
Pegar
Incollare
Cola r
Kleven



DO NOT cement
Ne pas coller
Nicht kleben
No pegar
Non incollare
Nao colar
Niet kleven



Cut away
Couper
Scheiden
Cortar
Tagliare
Cortar
Snijden



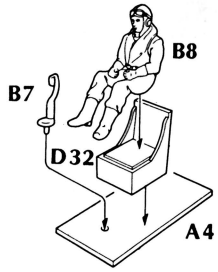
Optional parts
Choix
Auswahlmöglichkeit
Eleccion
Scelta
Opcao
Keuze



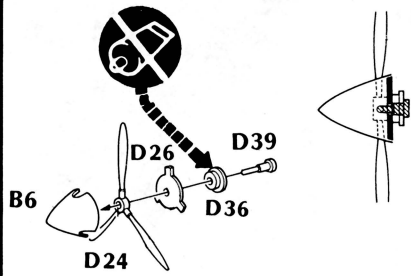
3

Repeat operation
Répéter l'opération
Vorgang wiederholen
Repitir la operacion
Ripetere
Repitir a operação
Herhalen

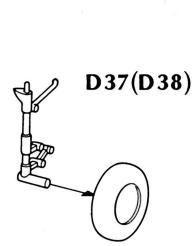
1



2

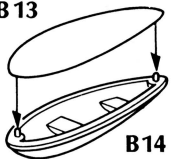


3

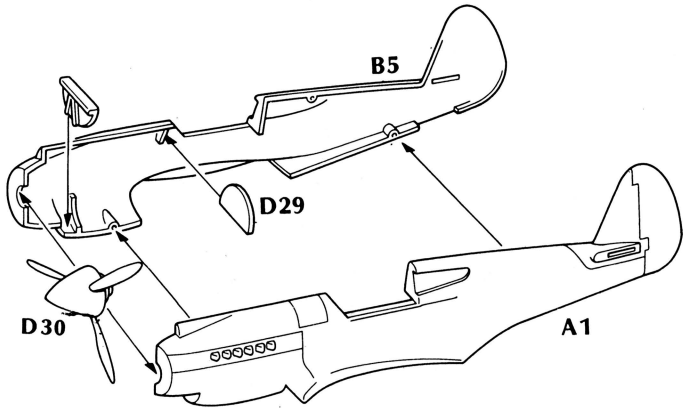


4

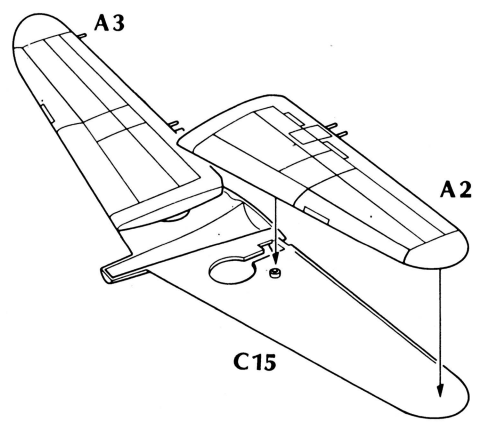
B13



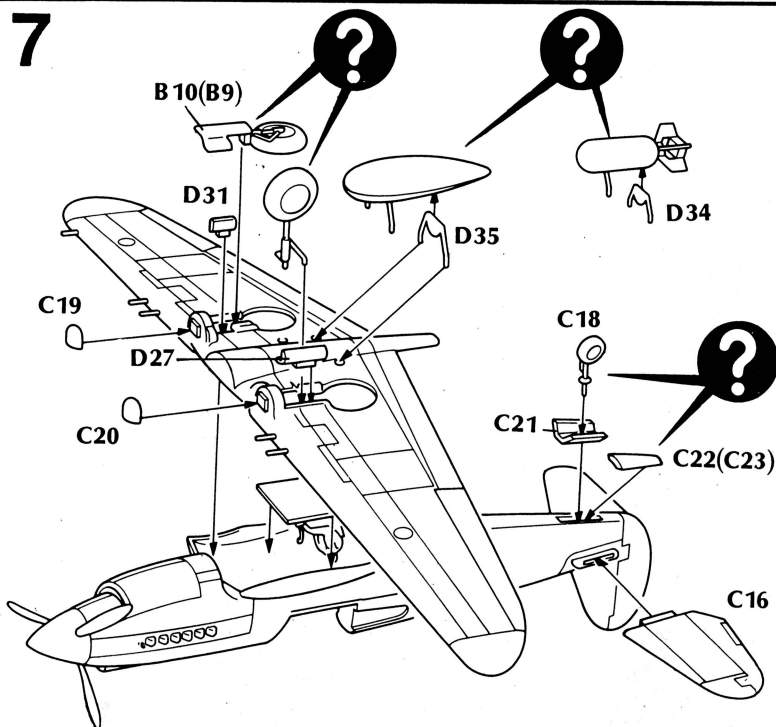
5



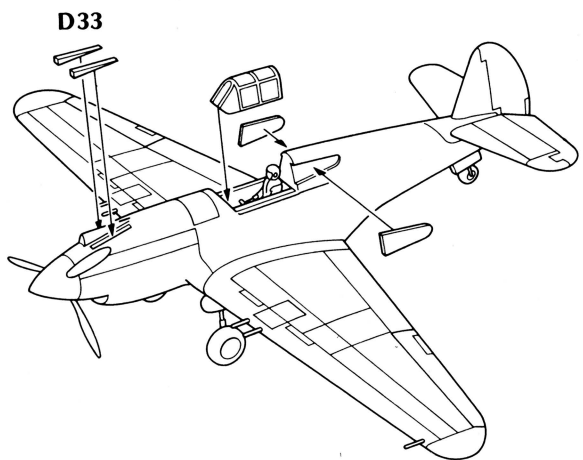
6



7



8



1655

ACADEMY
아카데미
MINICRAFT