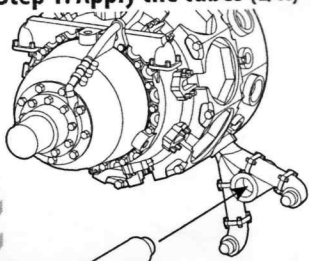
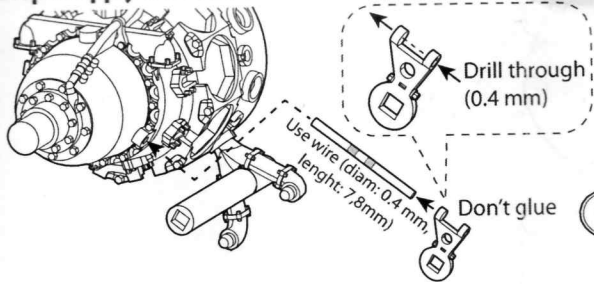


Step 1: Apply the tubes (L/R)

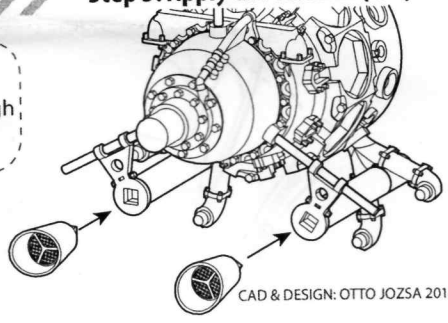


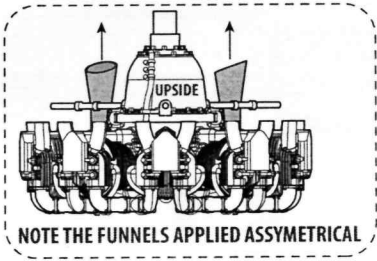
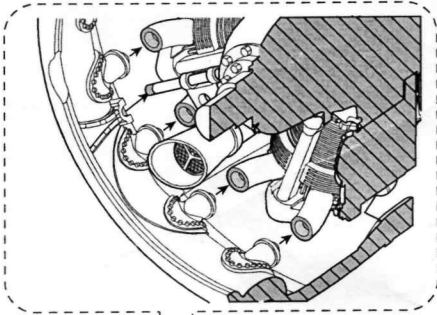
Resize to 7,815 mm

Step 2: Apply the rods, and tube hangers (L/R)



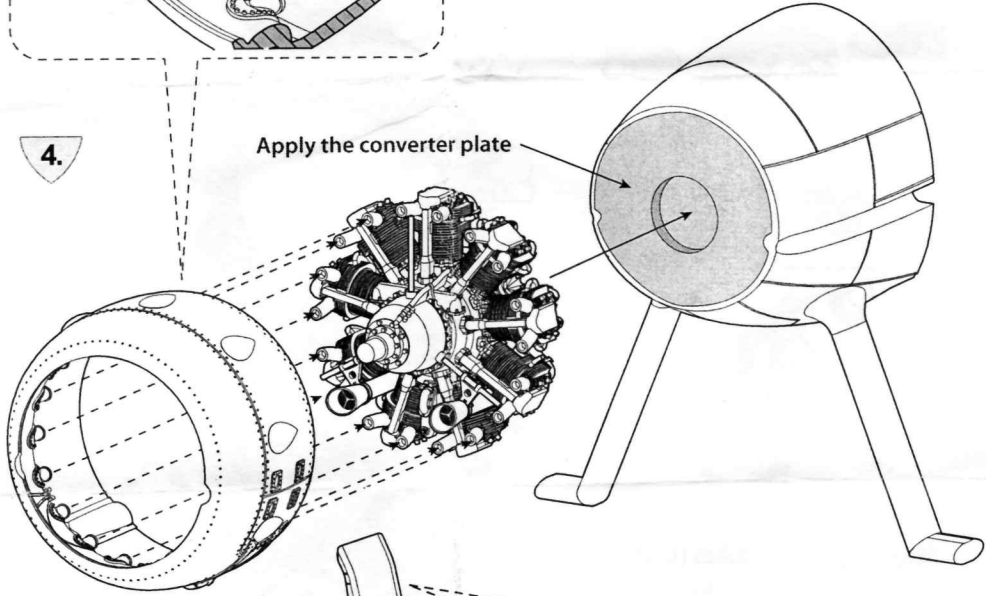
Step 3: Apply the funnels (L/R)





4.

Apply the converter plate



5.

