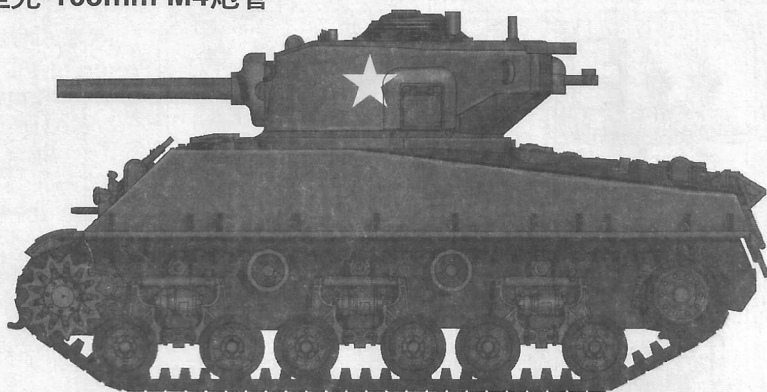


US M4A3E8 with 105mm M4

美国M4A3E8坦克-105mm M4炮管



READ BEFORE ASSEMBLY:

- Study and understand these instructions thoroughly before beginning assembly
- When needed, remove photo-etch parts carefully using a modeling knife or photo etch sprue cutter, being careful not to damage or lose small parts.
- Take extra care in handling photo etch parts in order to avoid injury
- Apply instant cement sparingly to photo etch parts where instructed
- Tools recommended(not included in kit):Plastic and instant cements,sprue cutters,long nose pliers, modeling knife, small files, tweezers, pin vise & scissors. Soft cloth and sandpaper will also assist in construction
- Glue and paint are not included in the kit. Use plastic cement and hobby paints only. Color guide for purchasing paint is included in the kit.

装配之前仔细阅读

- 小心用模型锉刀锉平所有零件表面的注射浇口。
- 小心用刀片切下蚀刻片零件，不要遗失小零件。
- 用强力快干胶水粘合蚀刻片零件和金属轴。过量的快干胶水使用可能导致可动零件会粘住，小心涂胶。
- 取蚀刻片时应特别注意安全，防止利边划伤手指。
- 某些零件表面需贴水上贴纸，请选择在装配的同时进行。
- 推荐模型工具(自备)：胶水，水口剪刀，长咀钳，刀片，锉刀，镊子，钳，钻，剪刀，瞬间快干胶。
- 软布同砂纸同时也应该是必备工具。
- 请使用塑料胶水和油漆，模型内不含。



cyanoacrylate glue
使用强力胶



weight
配重



make hole
钻孔



cut / remove
切除



bend
弯曲



file / sand
锉平



option
选择



no cement
不涂胶水



decal
贴纸



先装
Install it first

水贴纸的使用:

1. 从水贴纸上剪下印花;
2. 将印花放入温水中浸10秒, 然后放在干净布上.
3. 拿着印花纸板将印花移到模型上;
4. 手指蘸水将印花移到适当的位置;
5. 用软布轻压印花直至水干, 气泡消失.

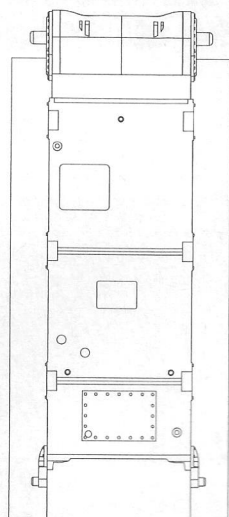
DECAL APPLICATION

1. Cut off decal from sheet.
2. Dip the decal in tepid water 40°C for about 10 sec. and place on a clean cloth.
3. Hold the backing sheet edge and slide decal onto the model.
4. Move decal into position by wetting decal with finger.
5. Press decal gently down with a soft cloth until excess water and air bubbles are gone.
6. Allow decal to dry completely before handling model.

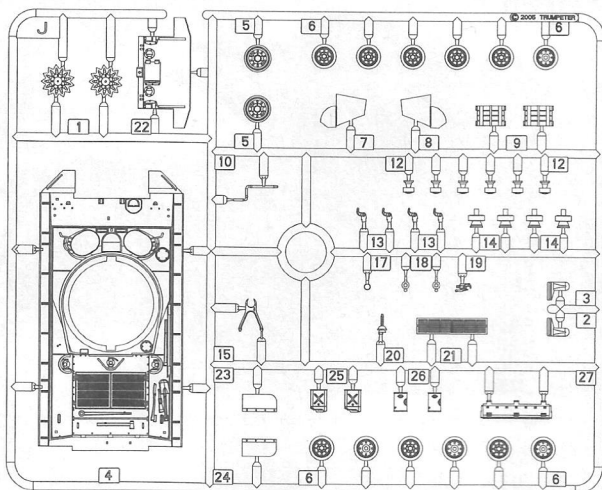
部品图

Parts

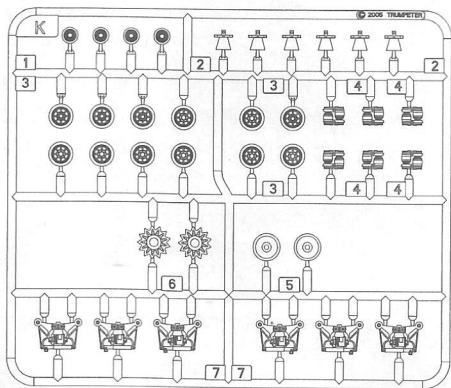
《车底》
Lower hull



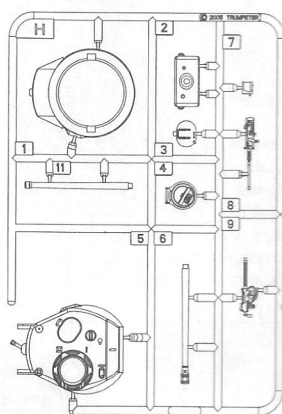
J



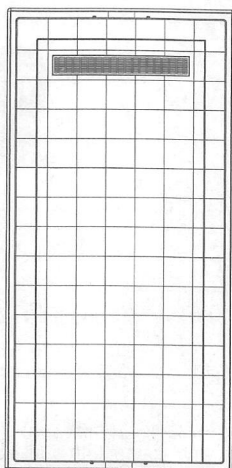
K



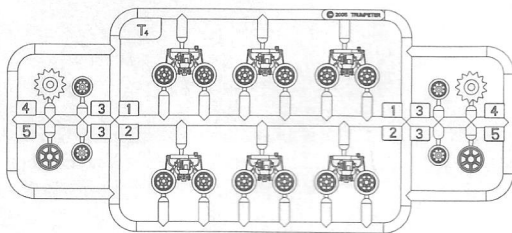
H



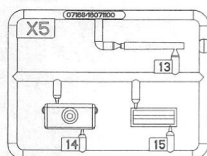
《底座》
Stand



T4



X5



《水贴纸》
Decal

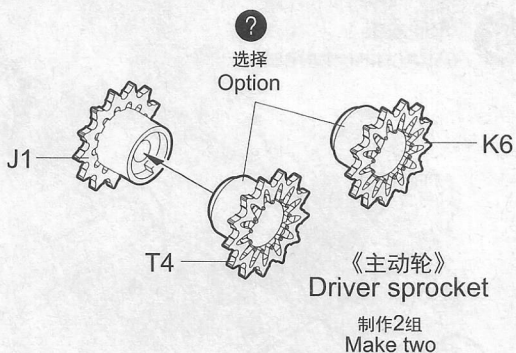


《履带》x2
Track



1 车轮组装 Wheel assembly

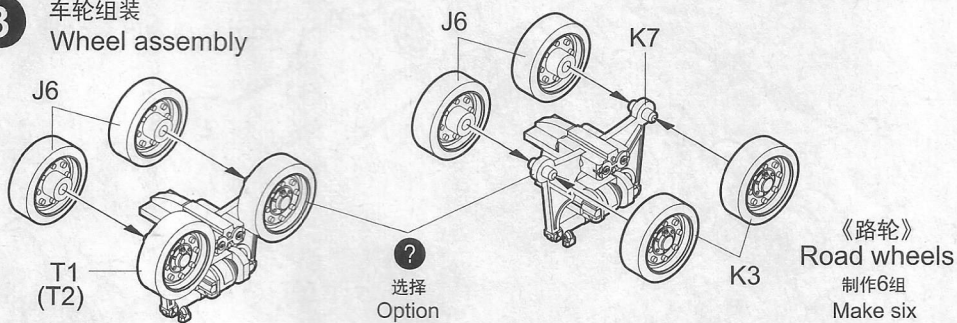
您可以选择组装T板或K板零件
You can select T sprue parts or K sprue parts for assembly the wheels.



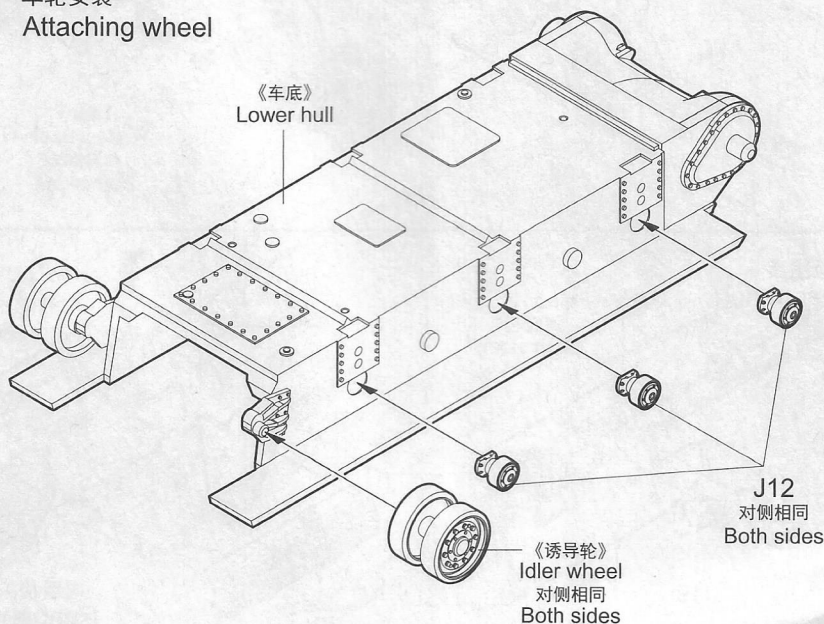
2 车轮组装 Wheel assembly



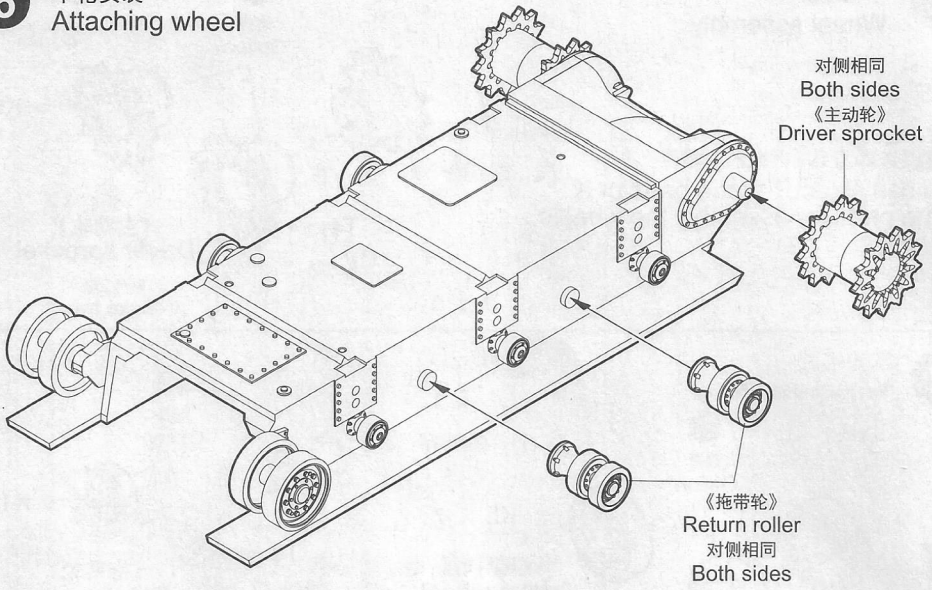
3 车轮组装 Wheel assembly



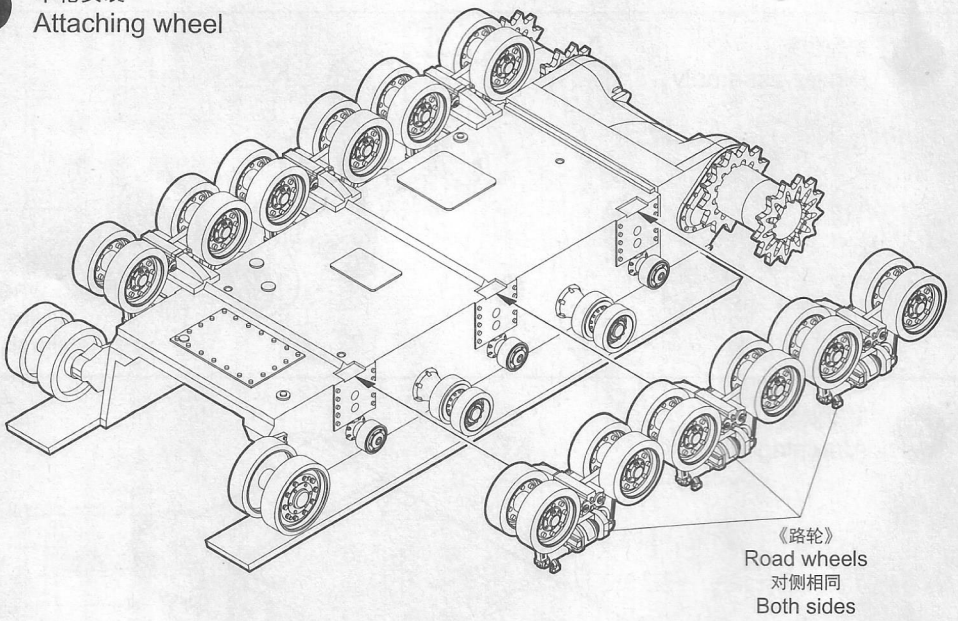
4 车轮安装 Attaching wheel



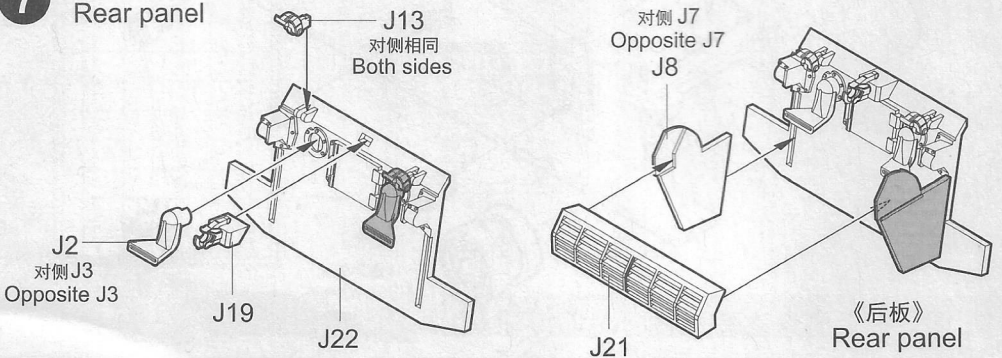
5 车轮安装
Attaching wheel



6 车轮安装
Attaching wheel

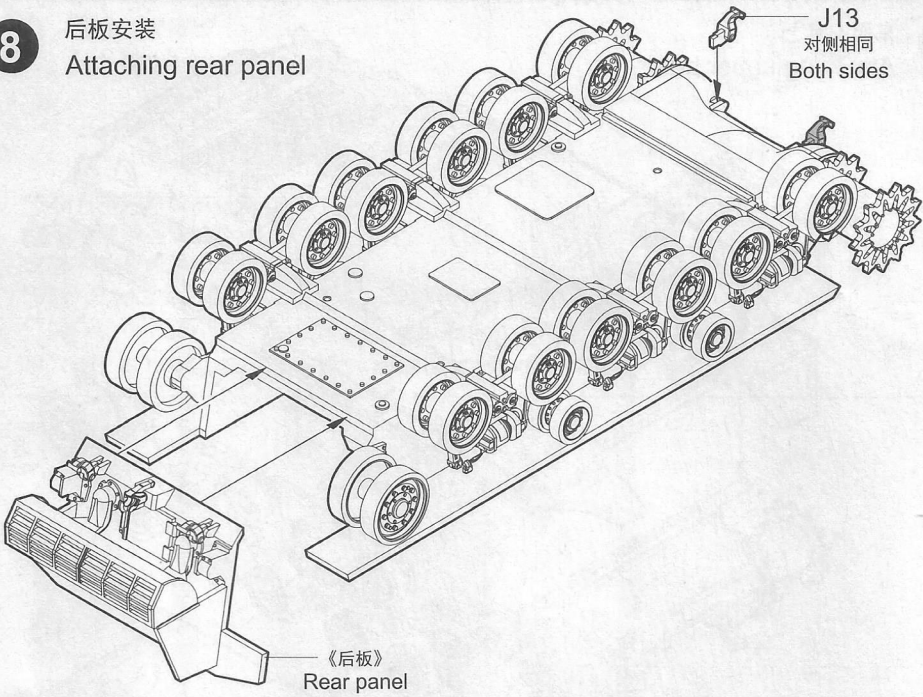


7 后板组装
Rear panel



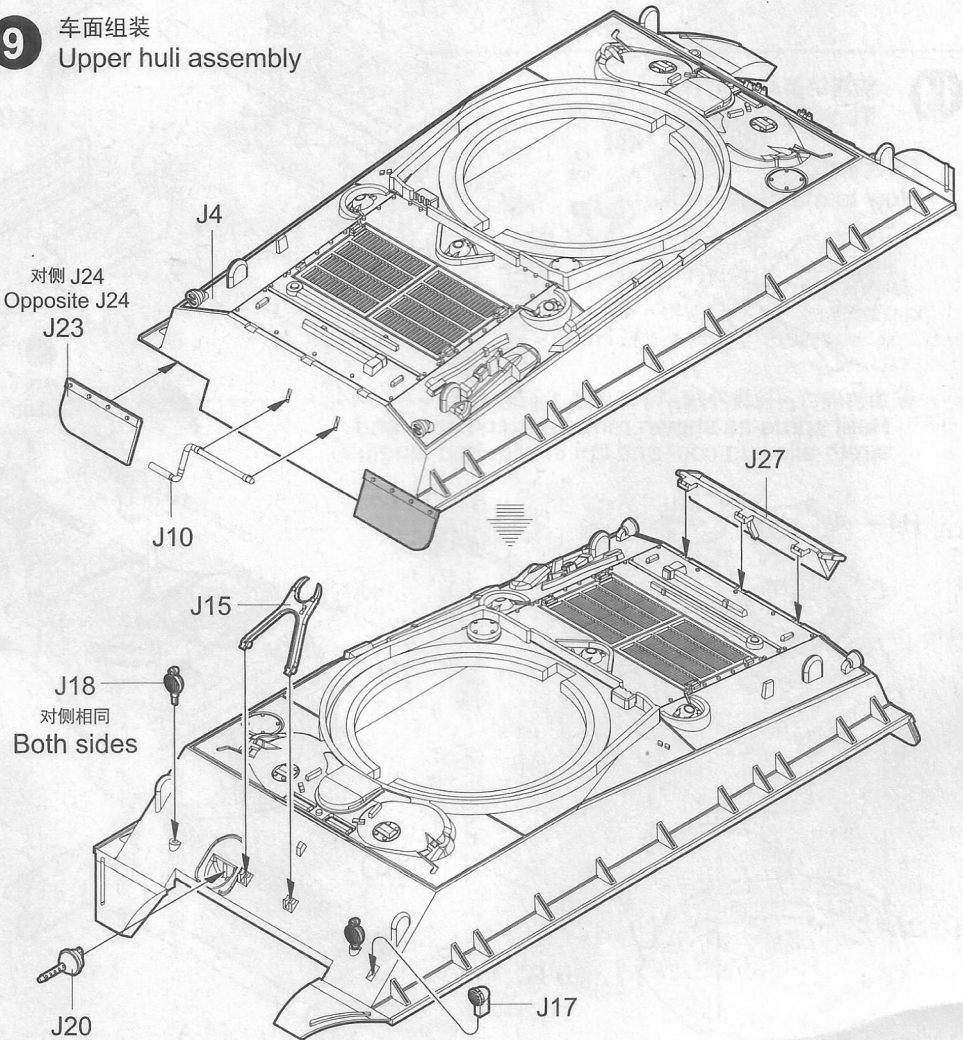
8

后板安装
Attaching rear panel



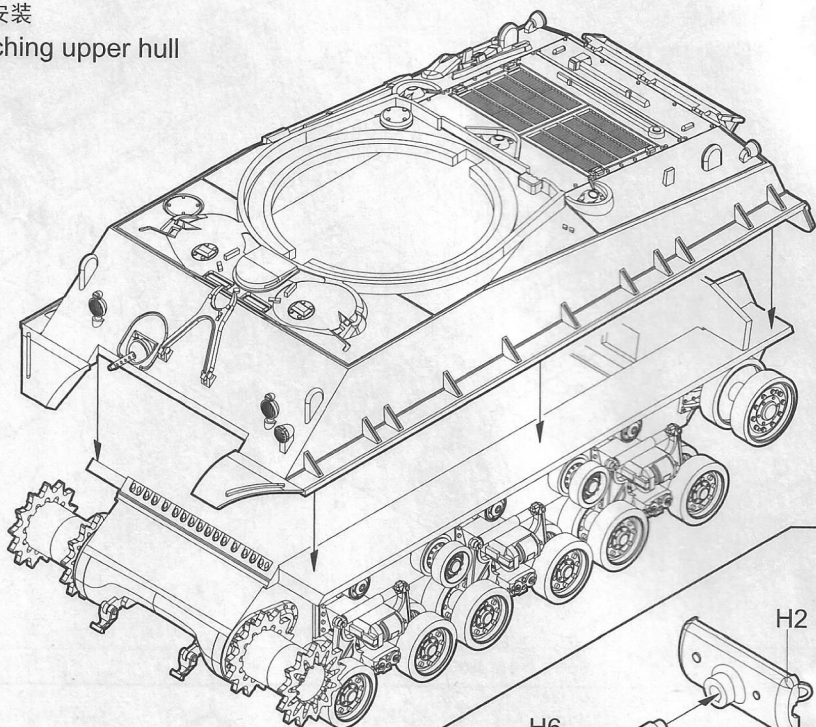
9

车面组装
Upper hull assembly



10

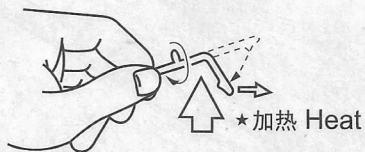
车面安装
Attaching upper hull



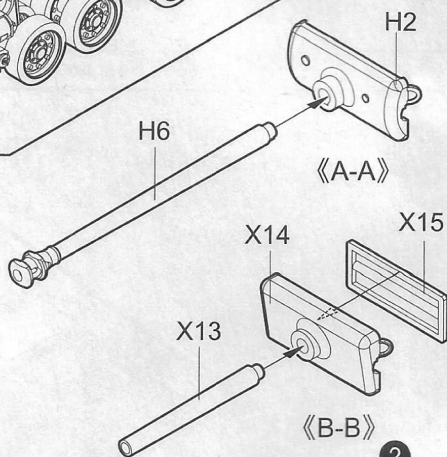
11

炮塔组装
Turret assembly

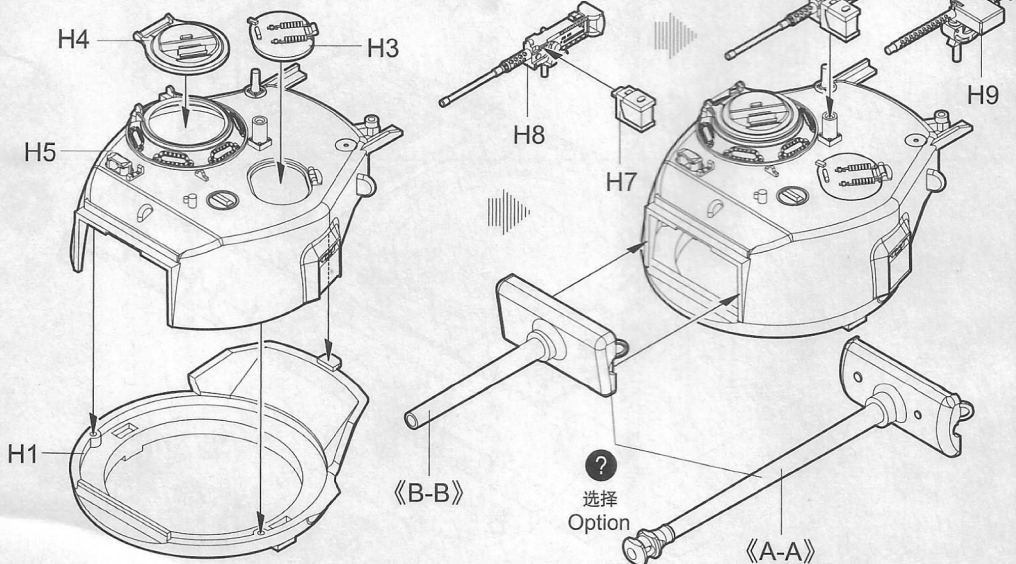
《天线制作》
How to make antenna



★加热浇口，拉线冷却，冷却后毁成所需长度。
Heat sprue as shown, remove from flame and stretch allow to cool and cut to required length.

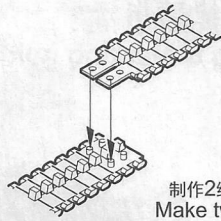


选择
Option



选择
Option

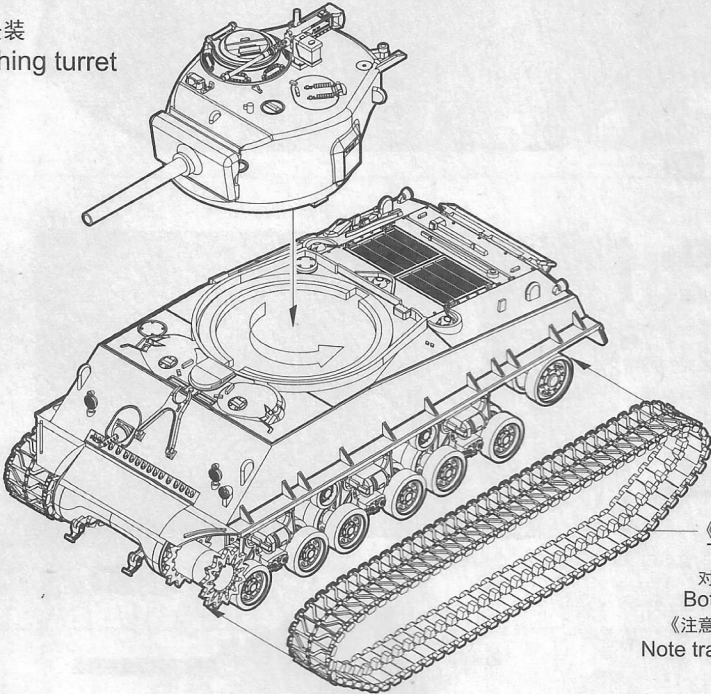
12 T66 履带链接
T66 track construction



制作2组
Make two

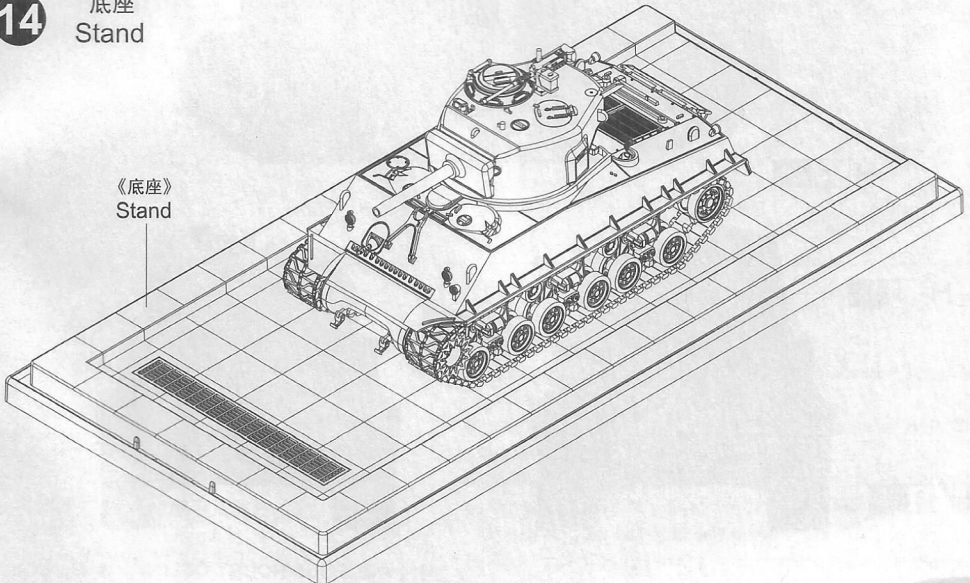
- *履带可用塑料胶水粘合。
- *履带可用模型油漆喷涂。
- *若履带断裂，用细丝线固定。
- *The tracks in this kit can be glued using plastic cement.
- *The tracks can be painted using piastic paints.
- *If track is broken strengthen with staples or thread.

13 炮塔安装
Attaching turret



《履带》
Track
对侧相同
Both sides
《注意履带方向》
Note track direction

14 底座
Stand

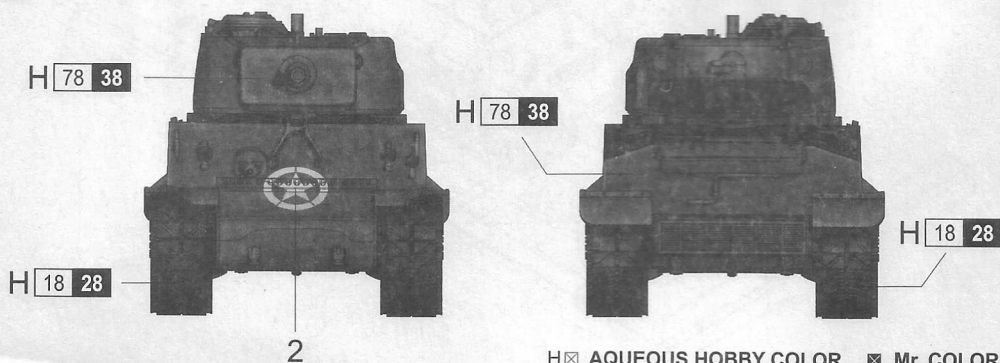
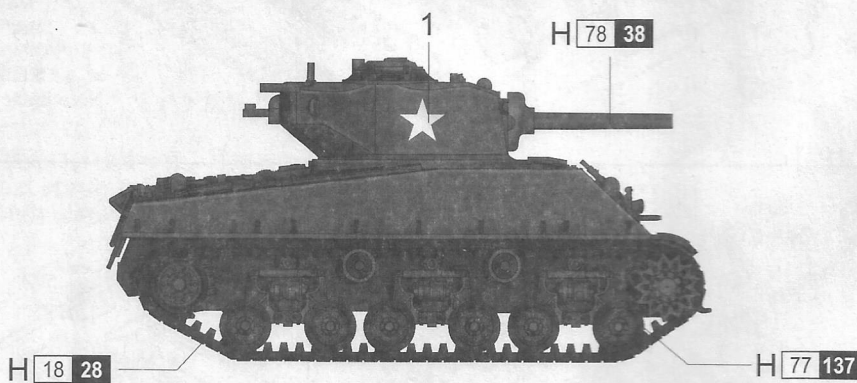
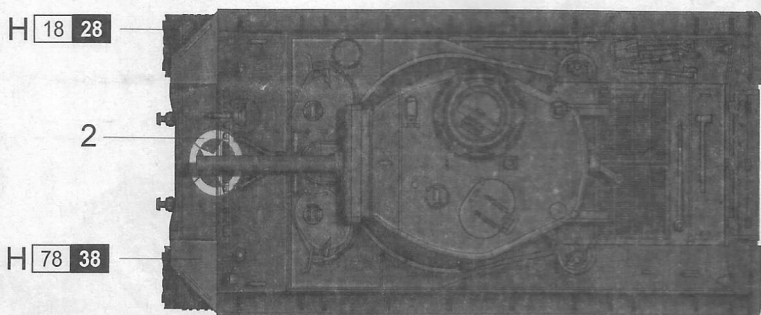


《底座》
Stand

涂装同标贴指示 Painting & Marking guide

PAINT REFERENCE COLOR

Color	Mr.Hobby	Acrycion	Vallejo	Model Master	Tamiya	Humbrol
Olive Drab(2) 橄欖色(2)	H 78 38	N 78	-	-	-	-
Steel 黑鉄色	H 18 28	N 18	864	1402	-	-
Tire Black 胎黑色	H 77 137	N 77	-	-	-	-



H☐ AQUEOUS HOBBY COLOR ☒ Mr. COLOR
N☐ ACRYCION COLOR