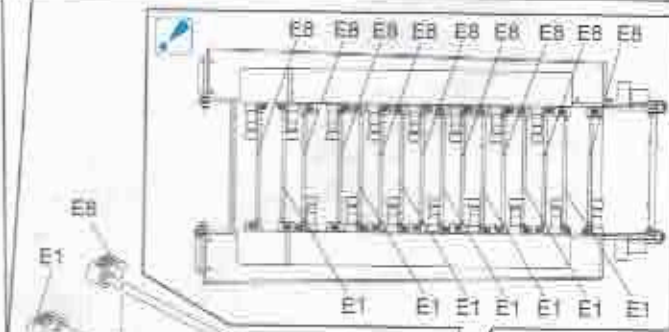
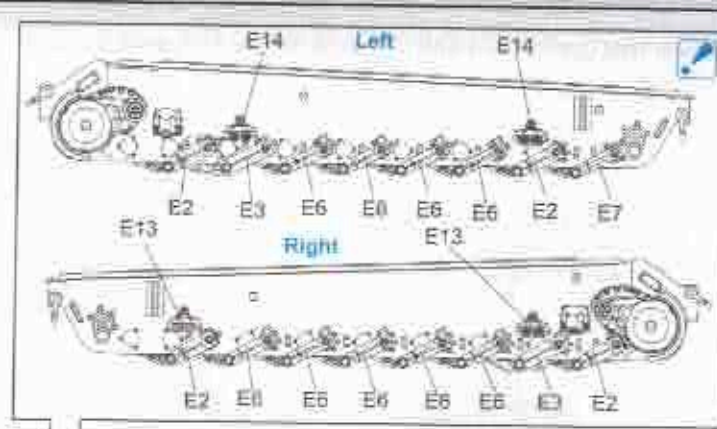
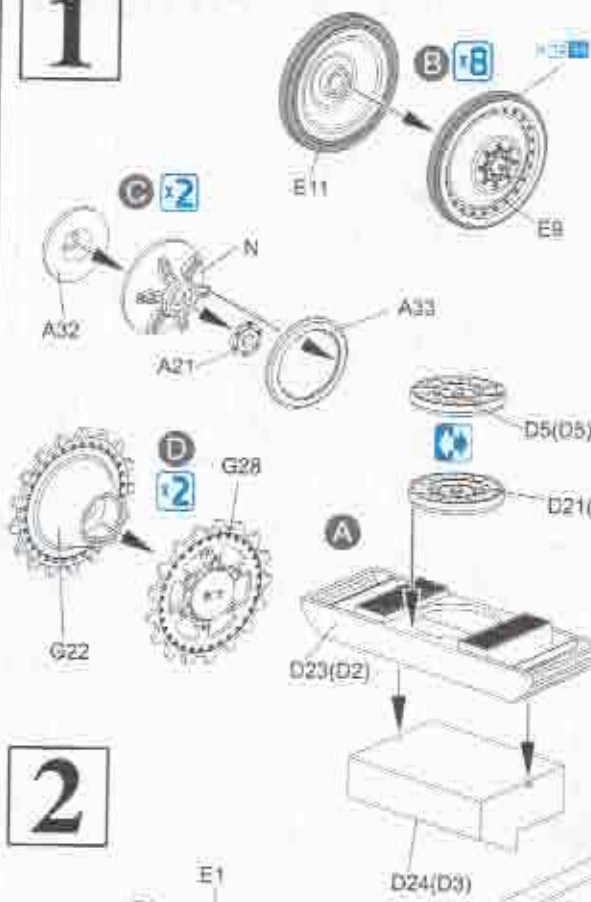
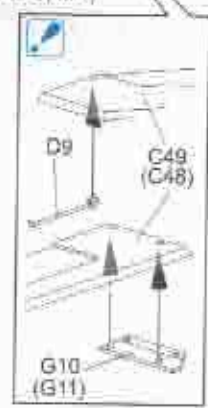
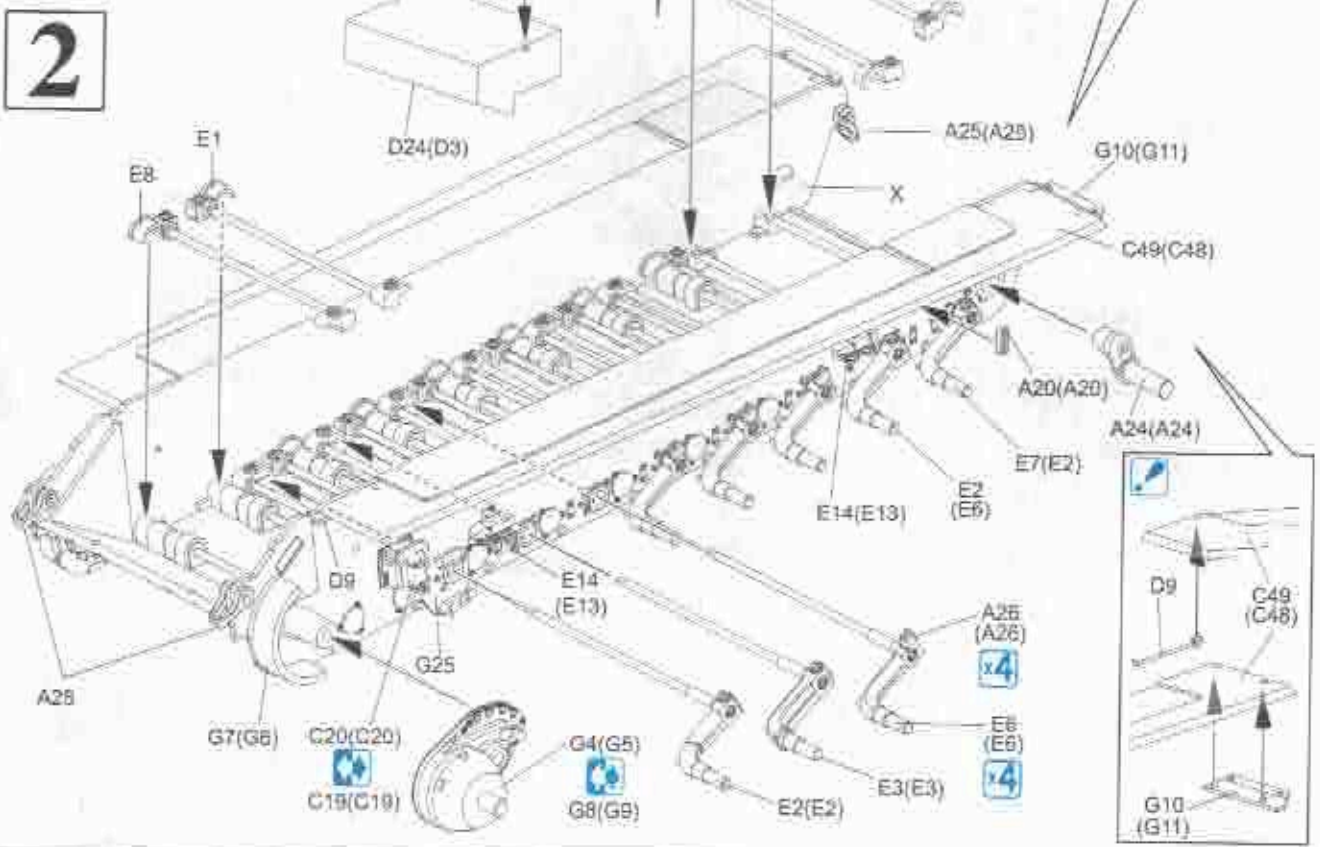
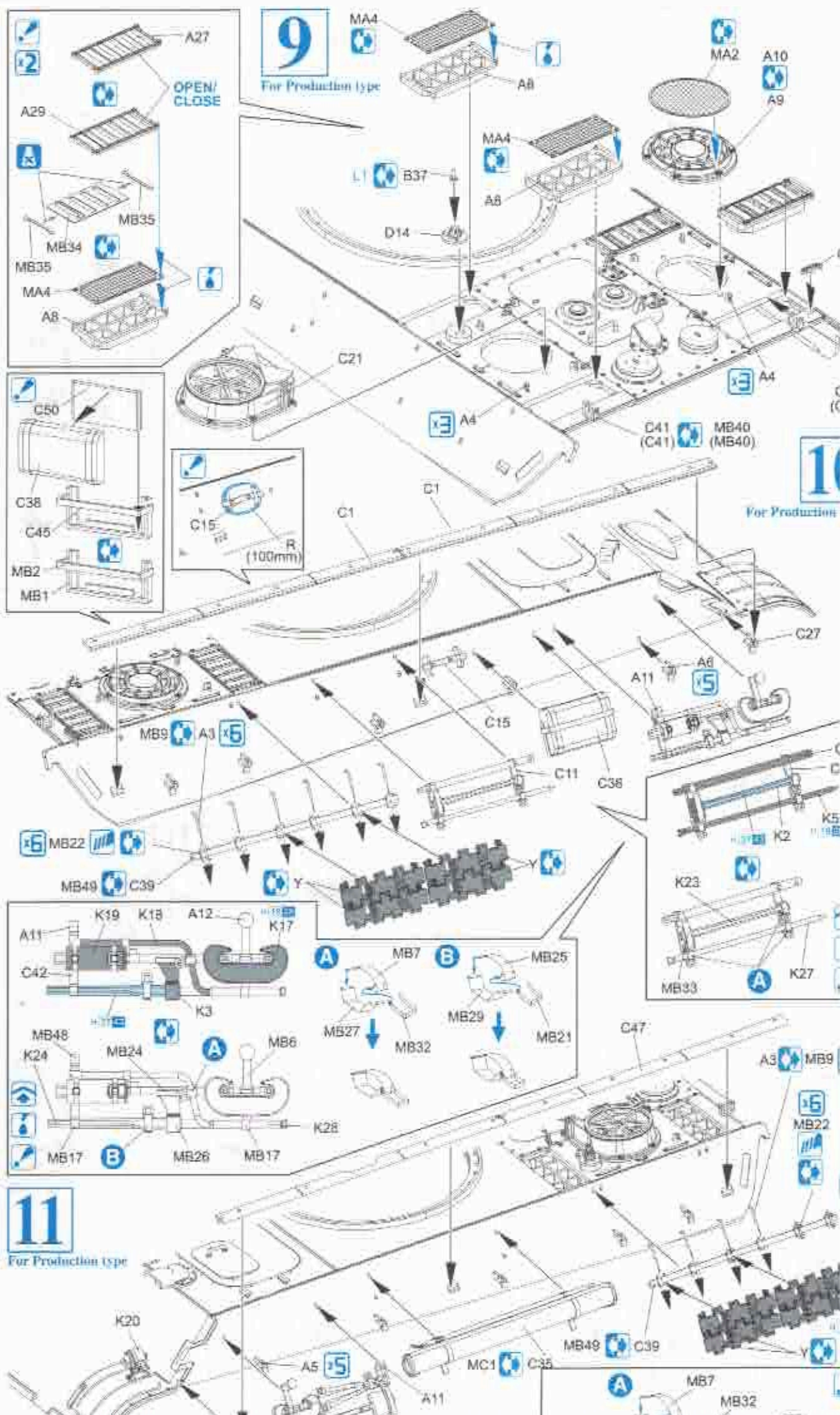


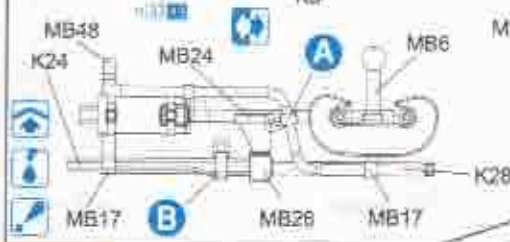
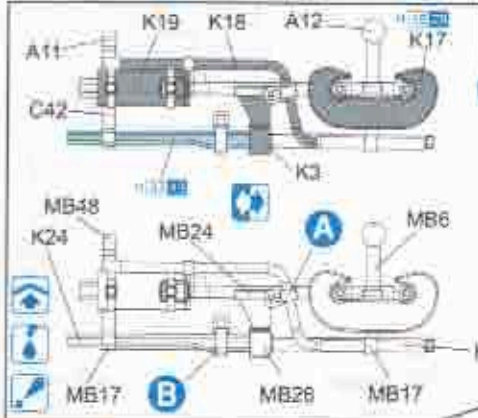
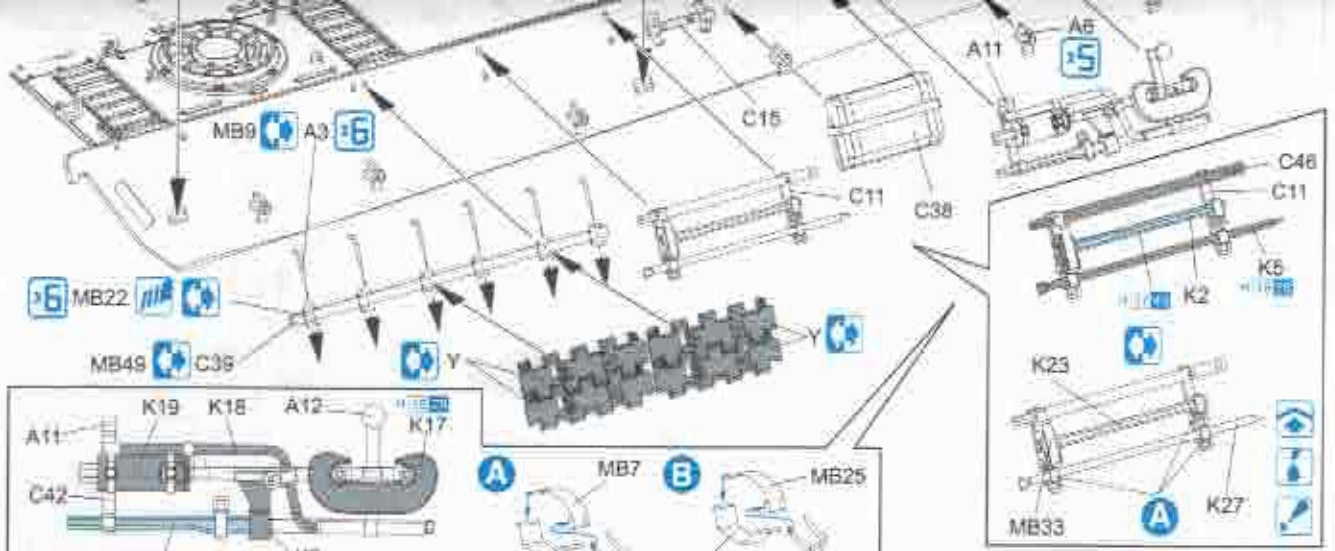
1



2

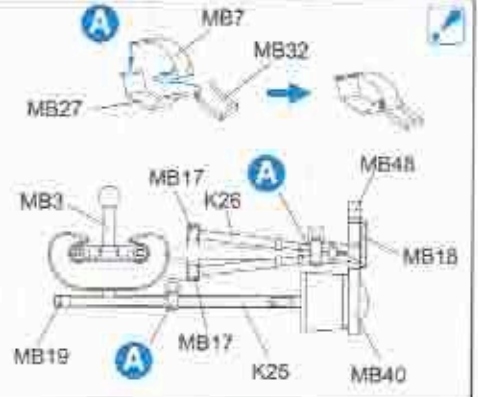
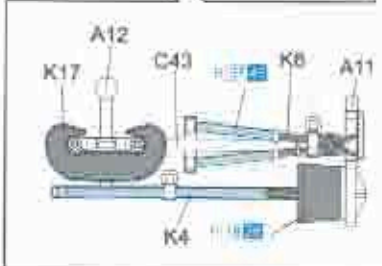
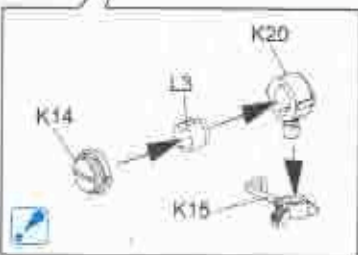
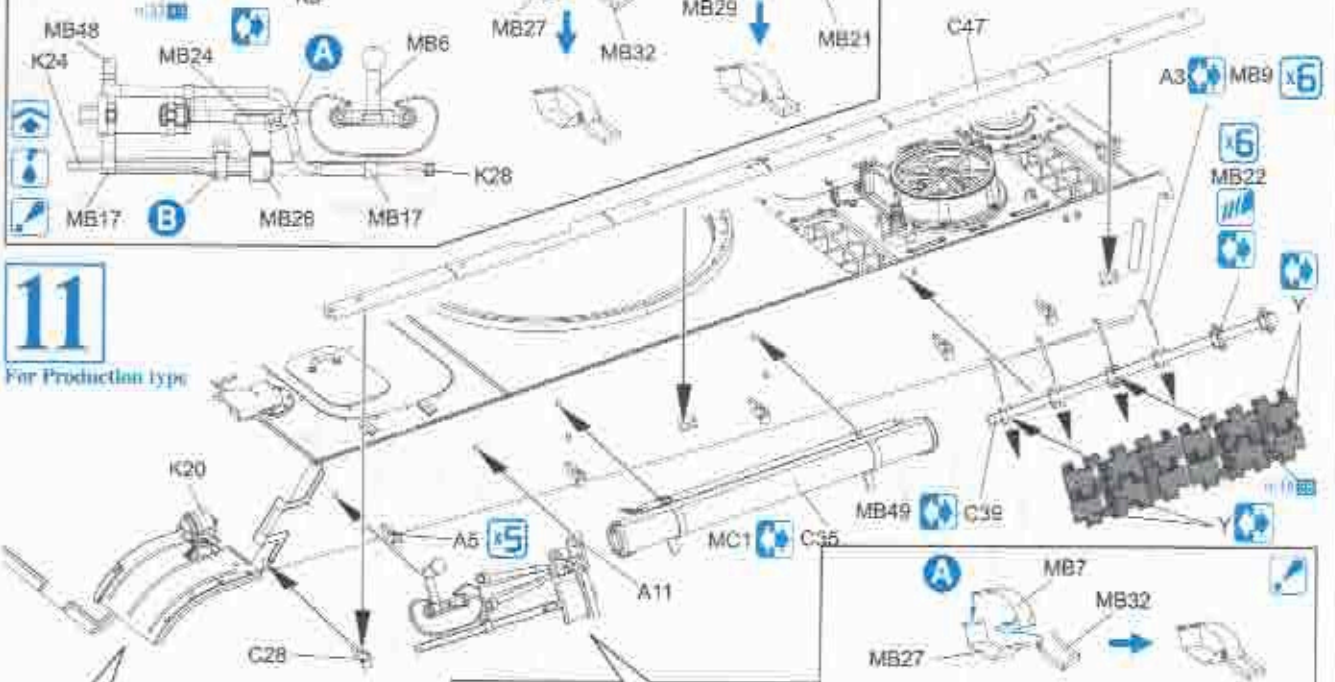




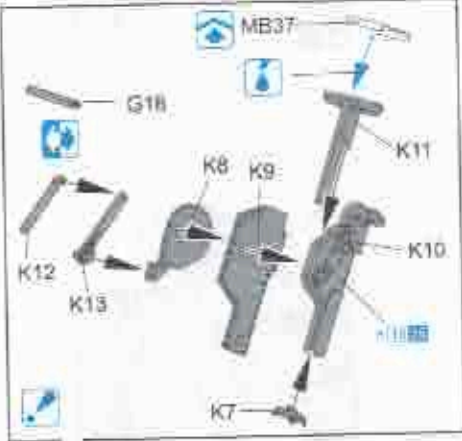
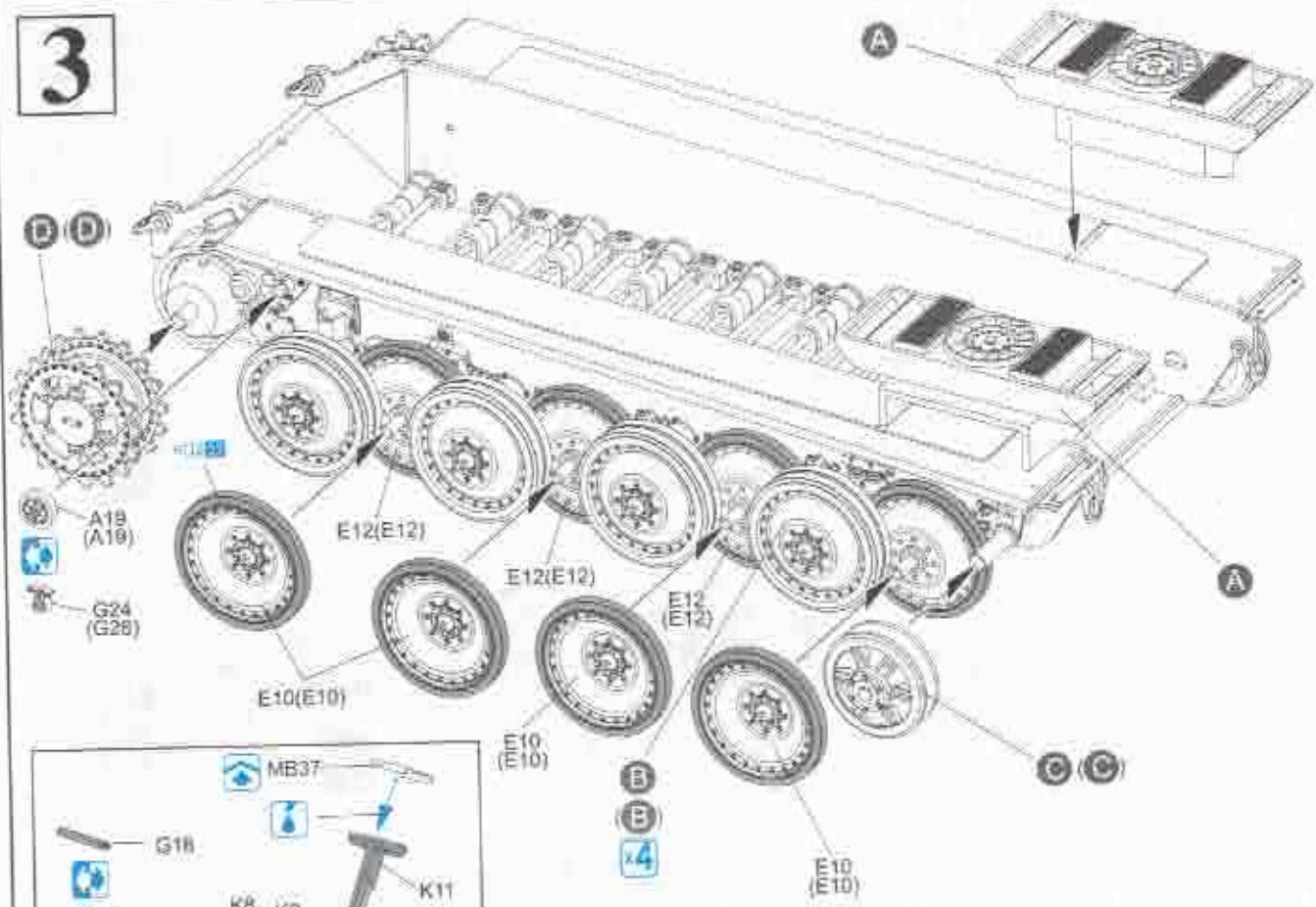


11

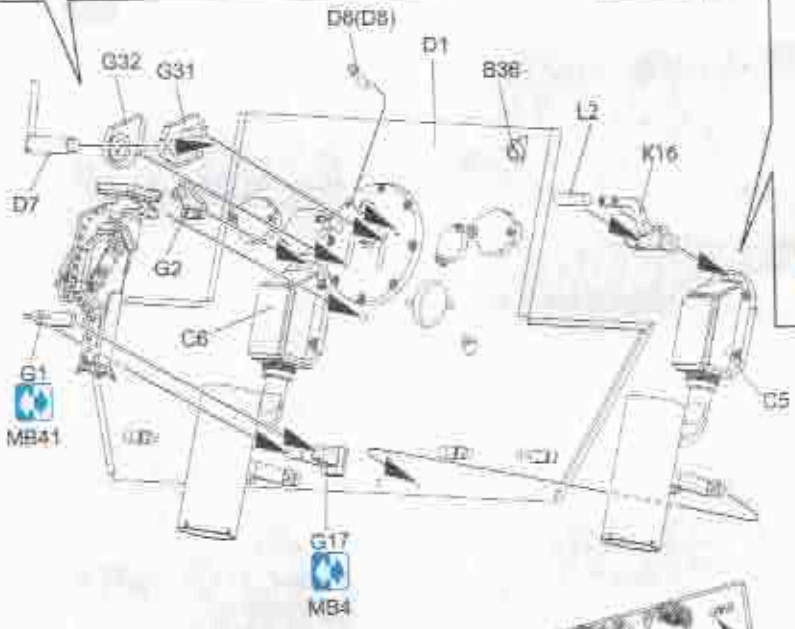
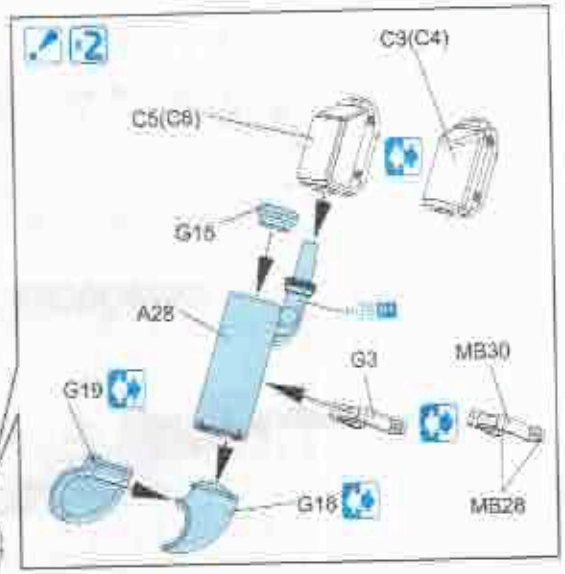
For Production type



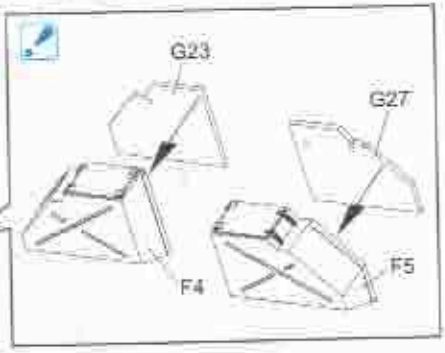
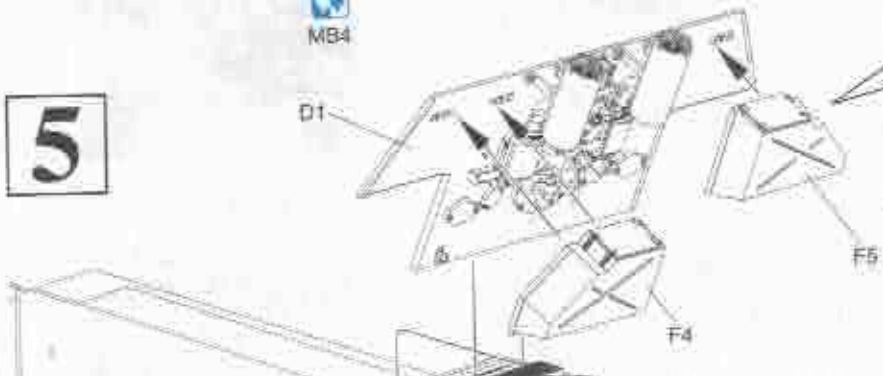
3



4

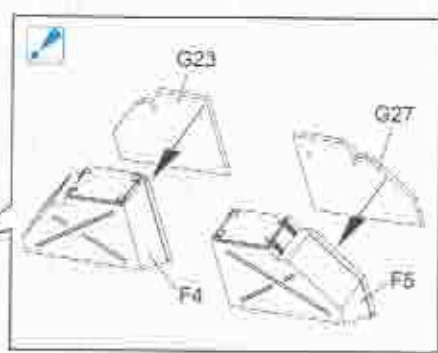
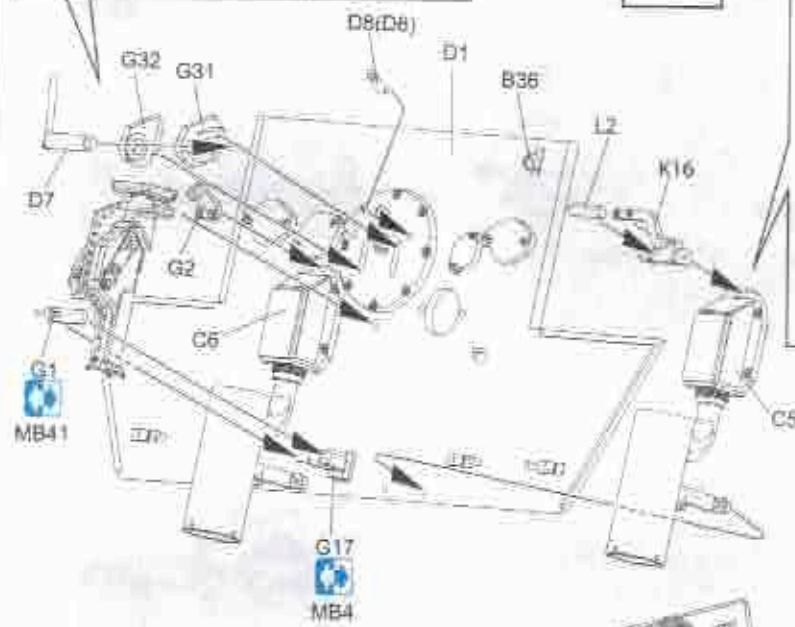
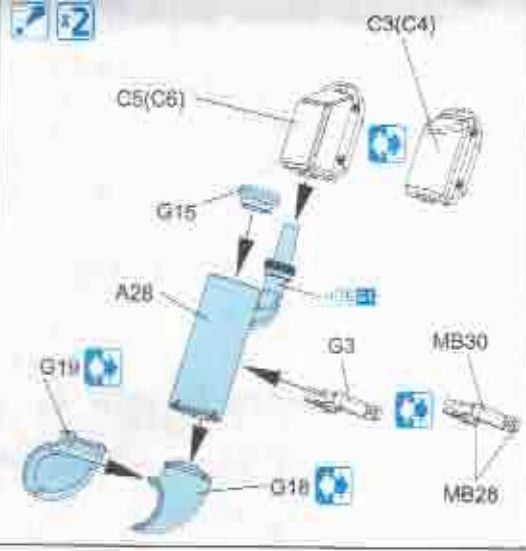


5

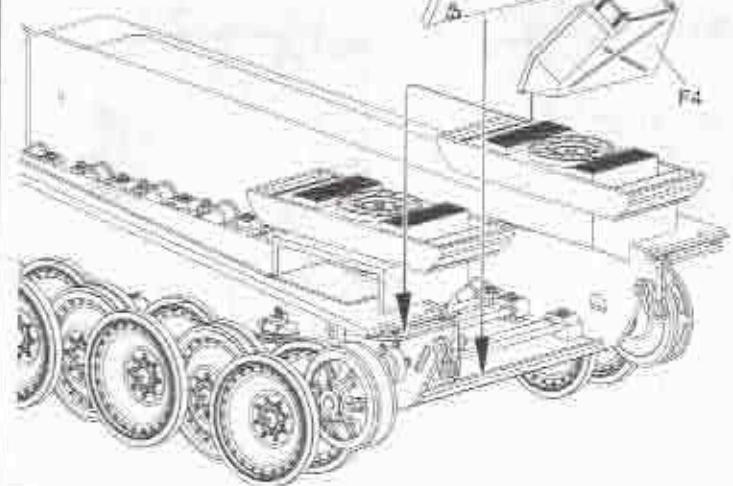
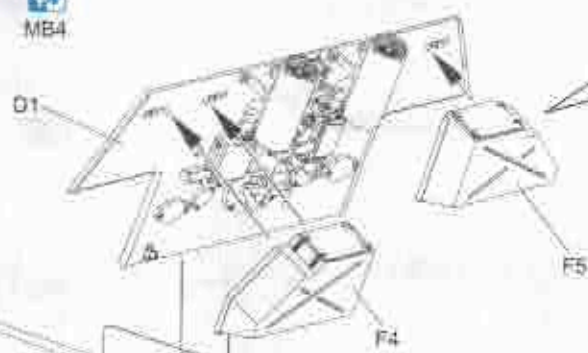


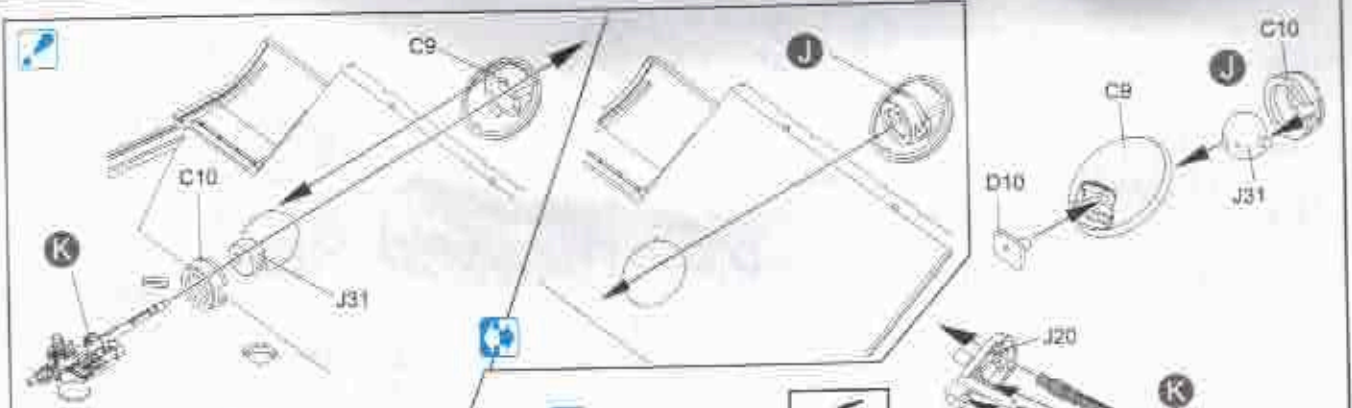


4



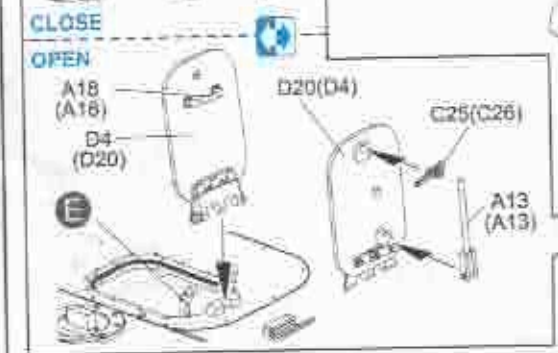
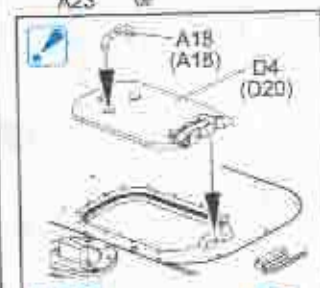
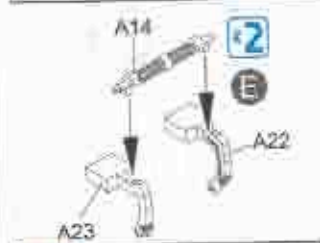
5





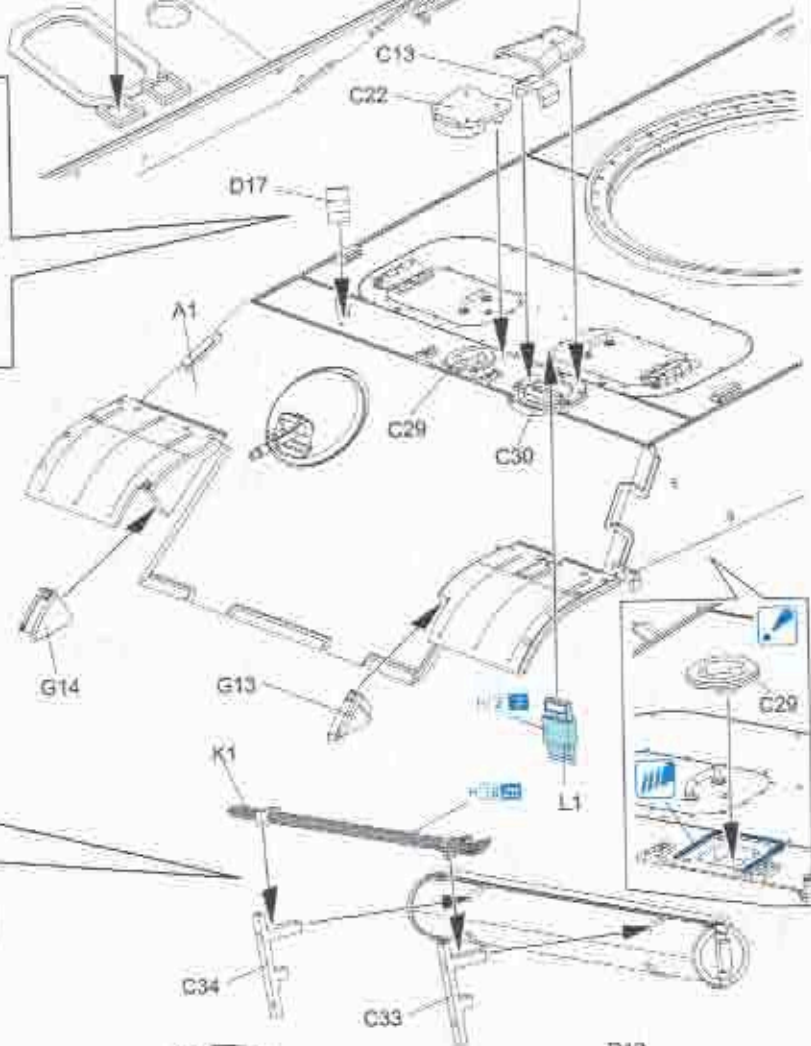
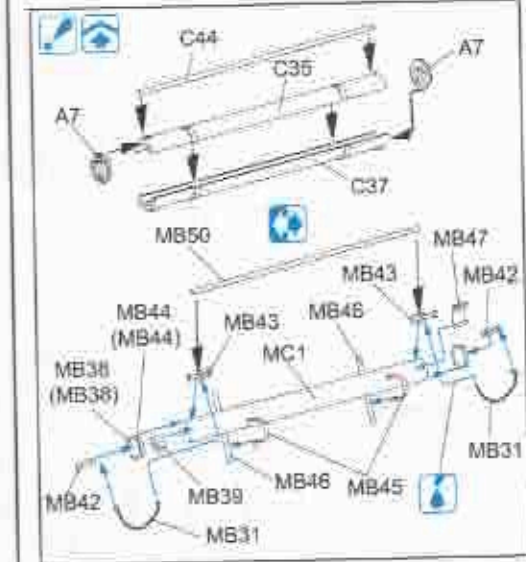
6

For Prototype



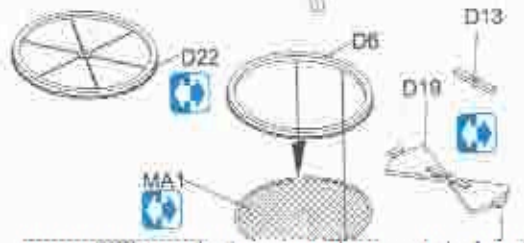
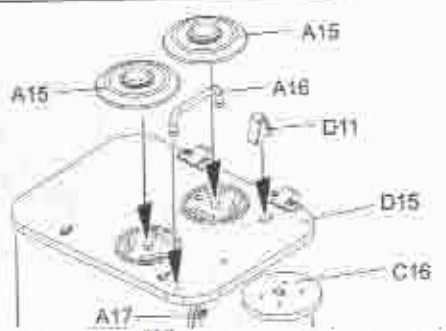
7

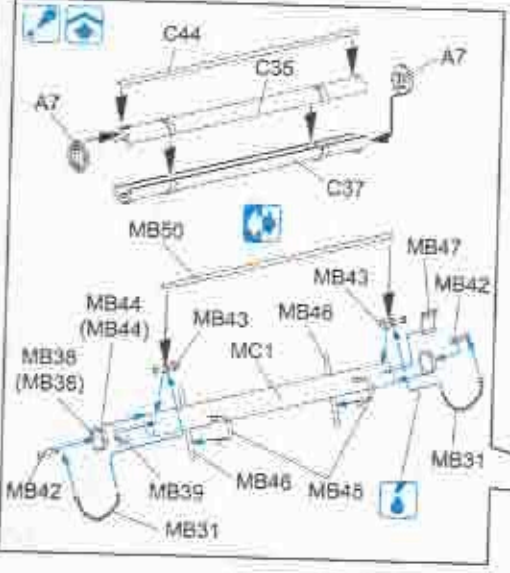
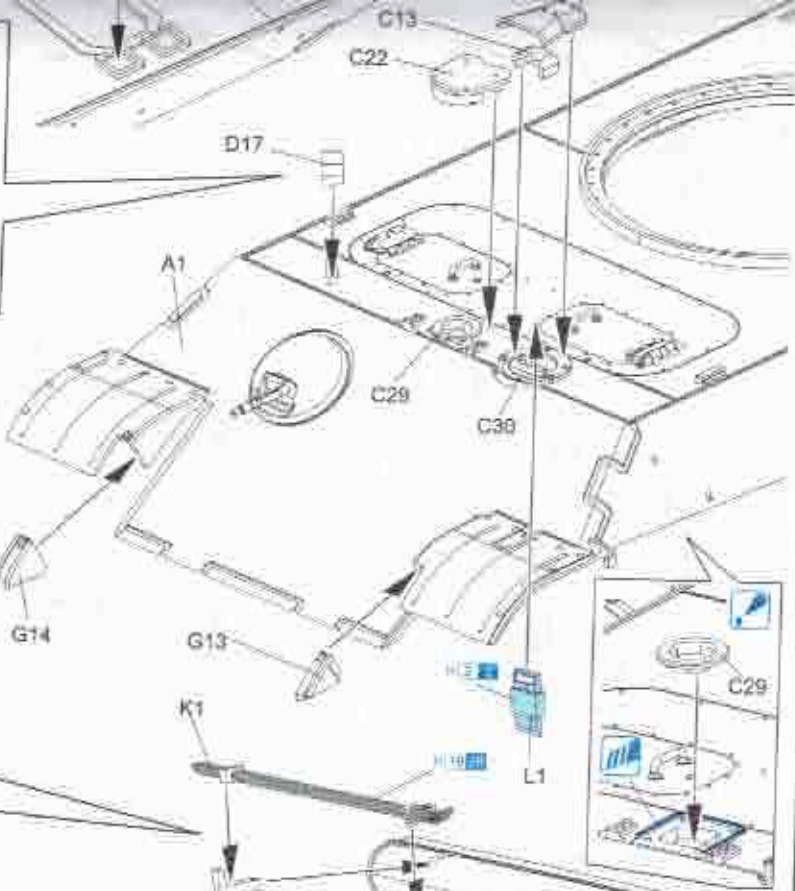
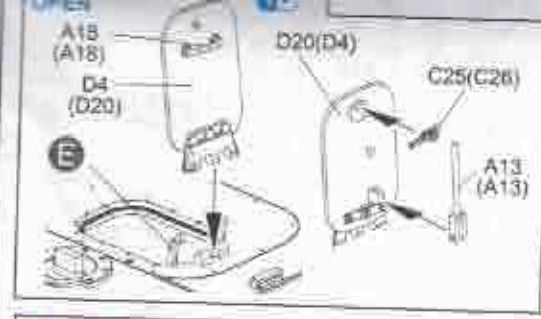
For Prototype



8

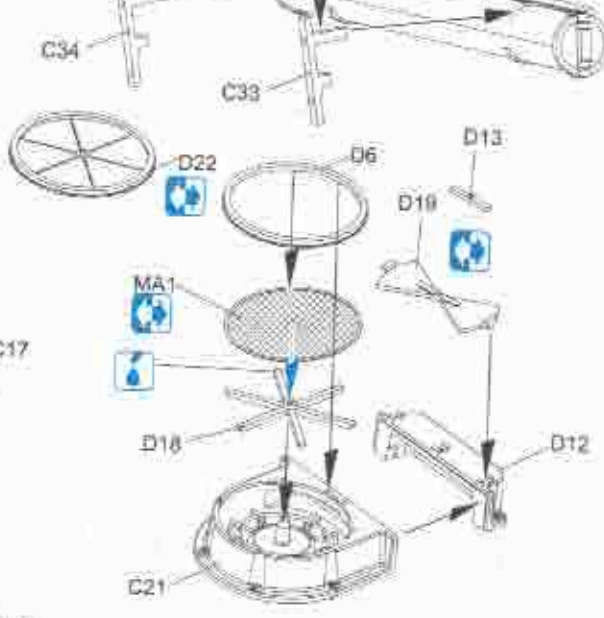
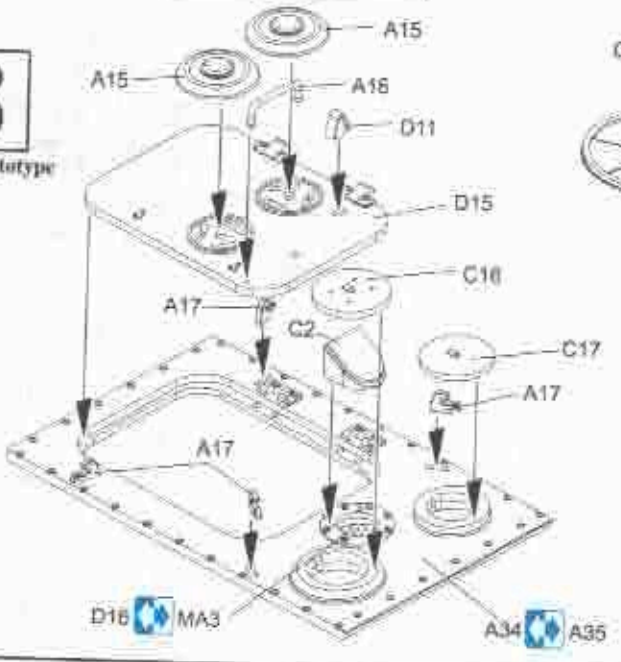
For Prototype





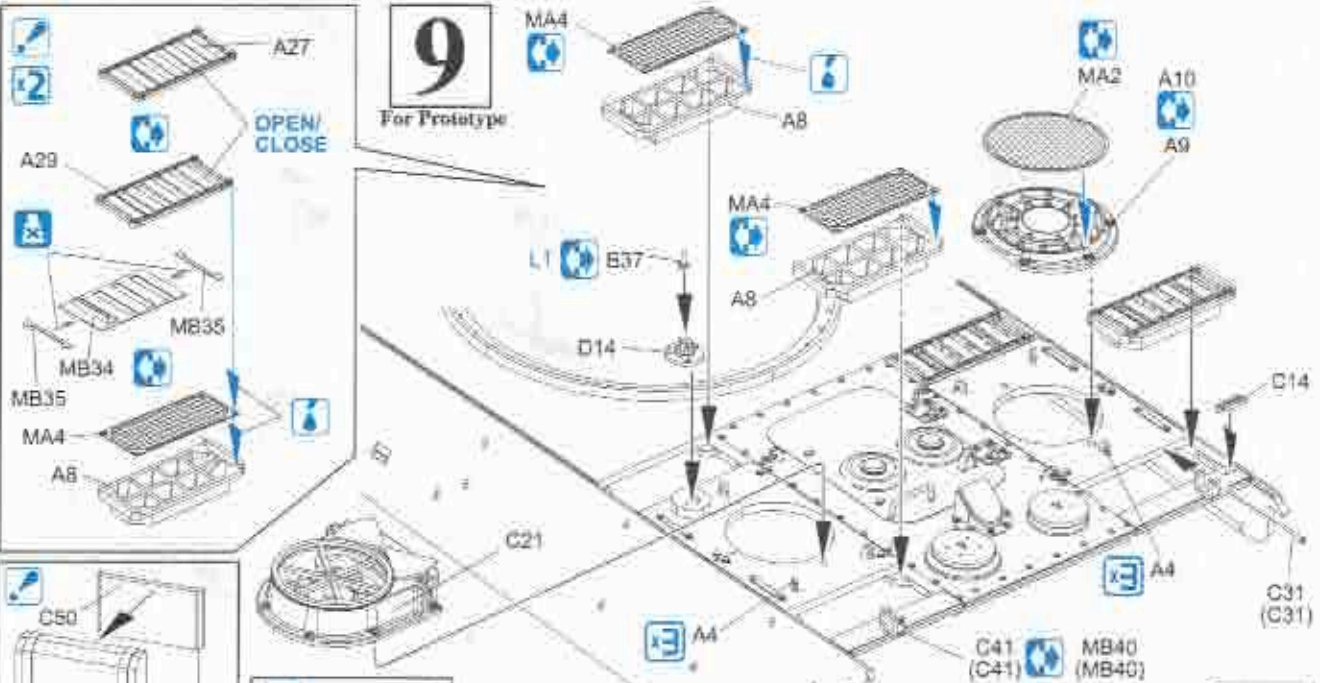
8

For Prototype



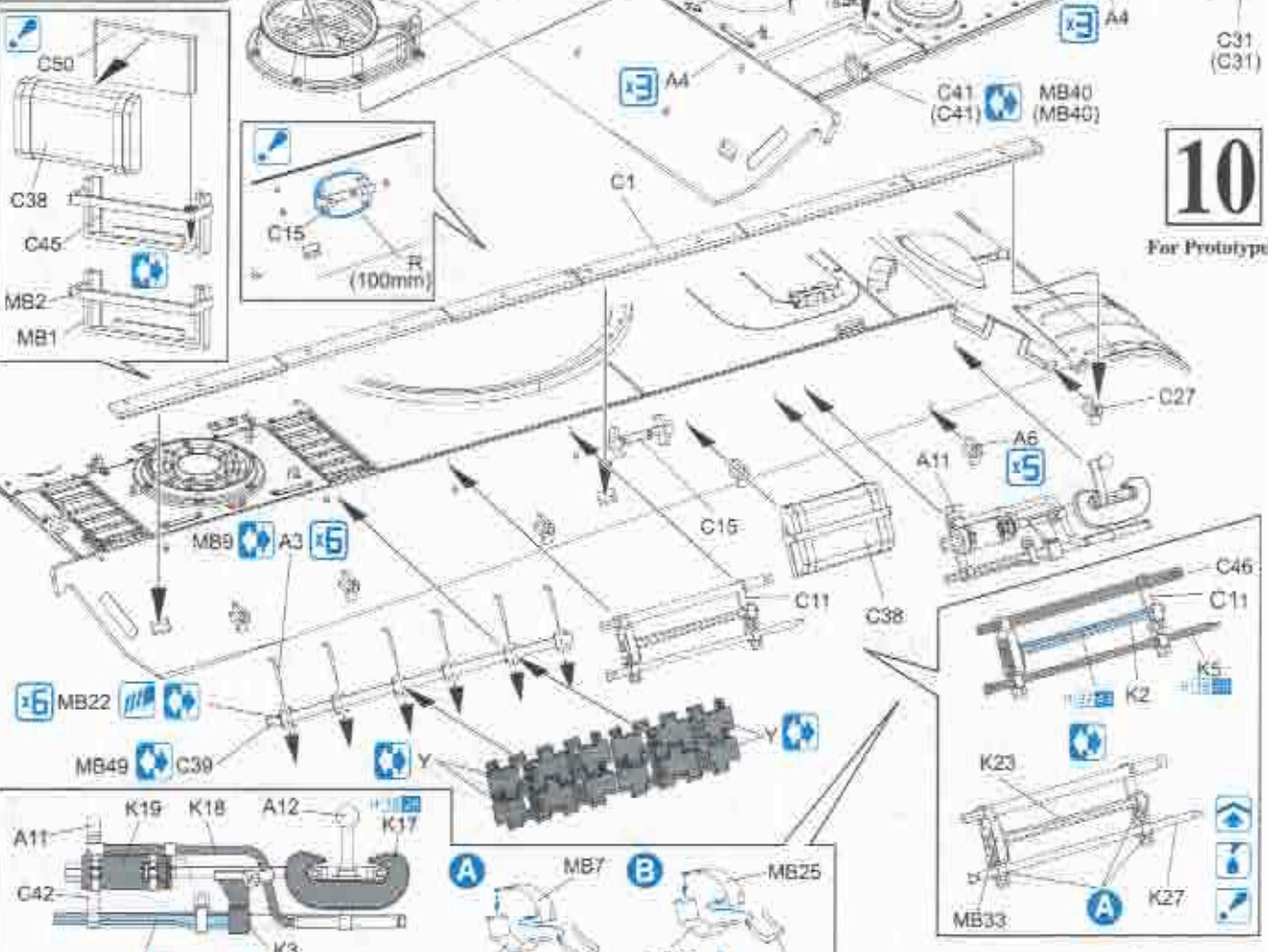
9

For Prototype



10

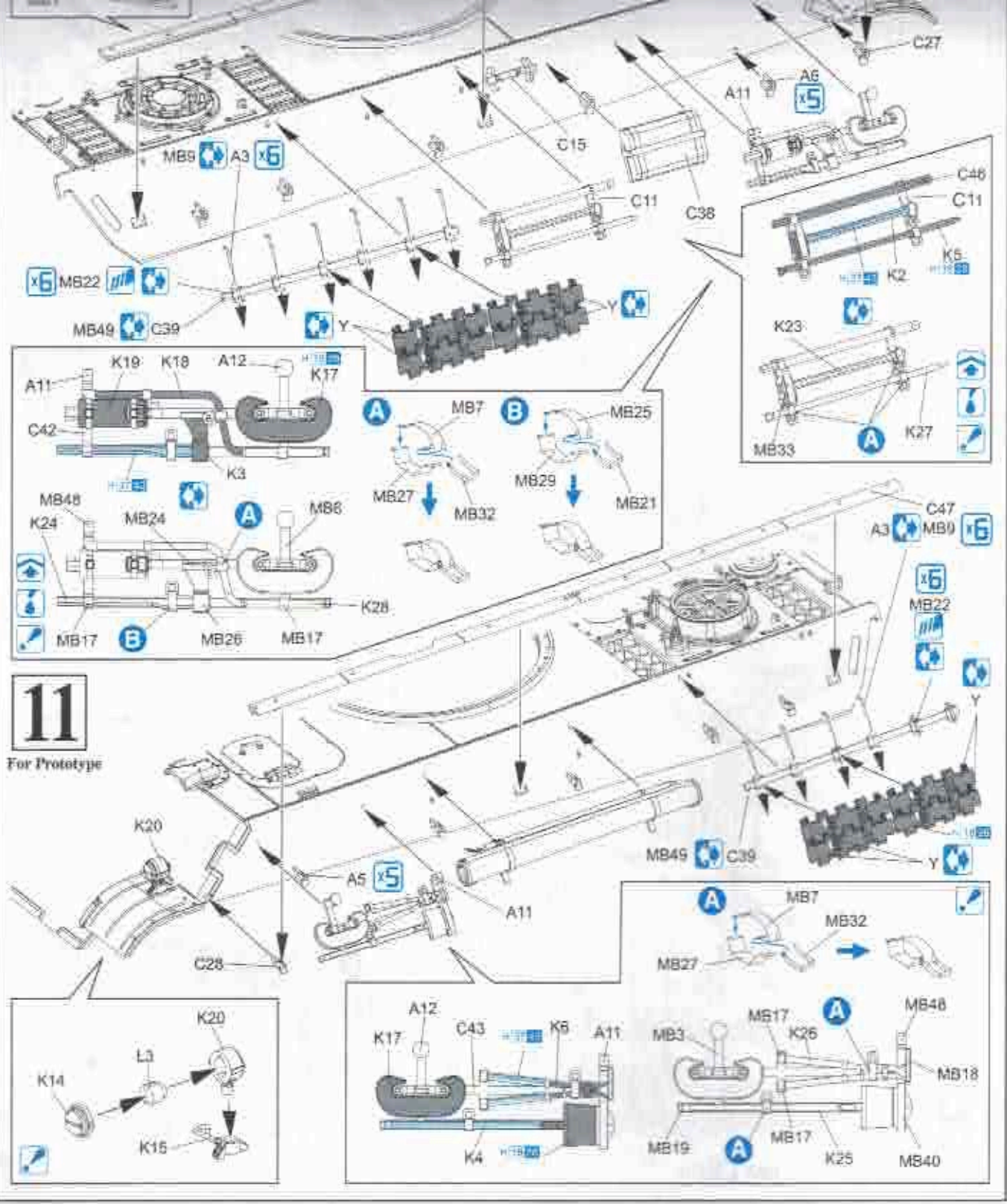
For Prototype



11

For Prototype

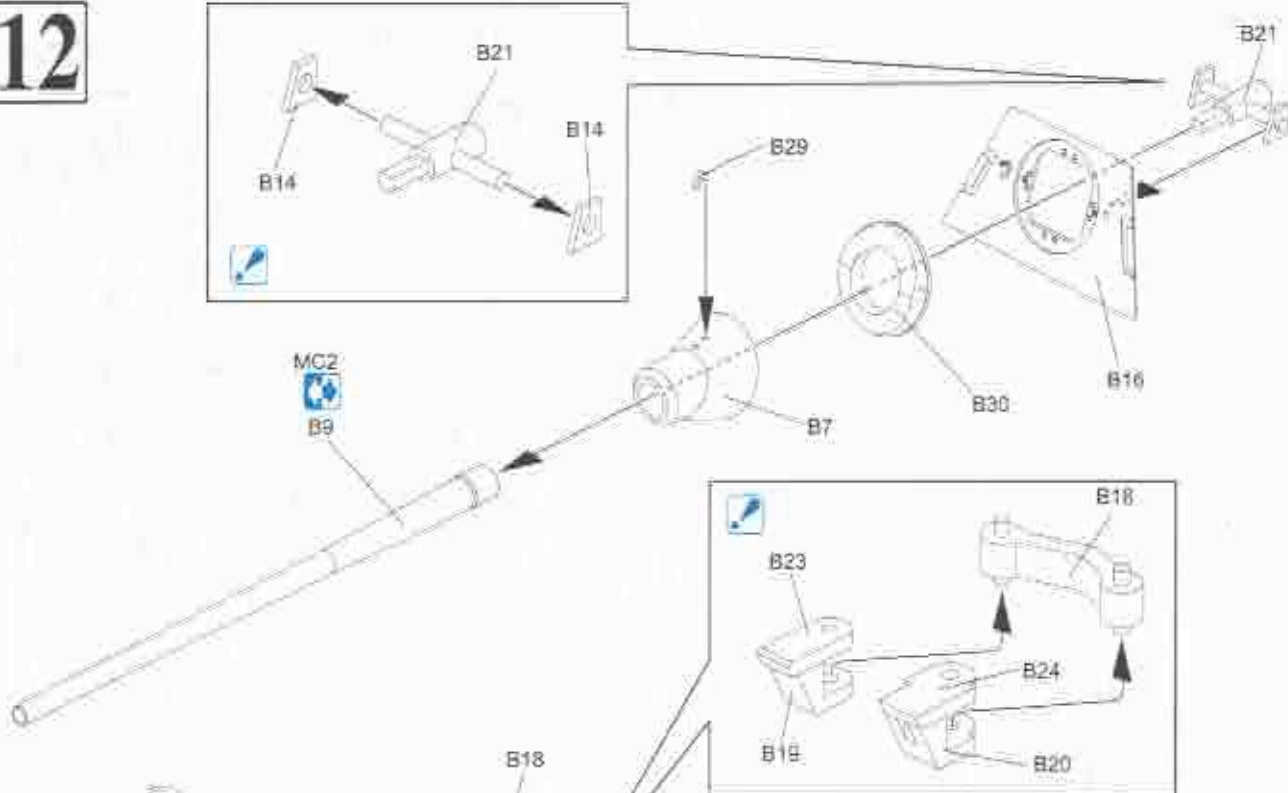




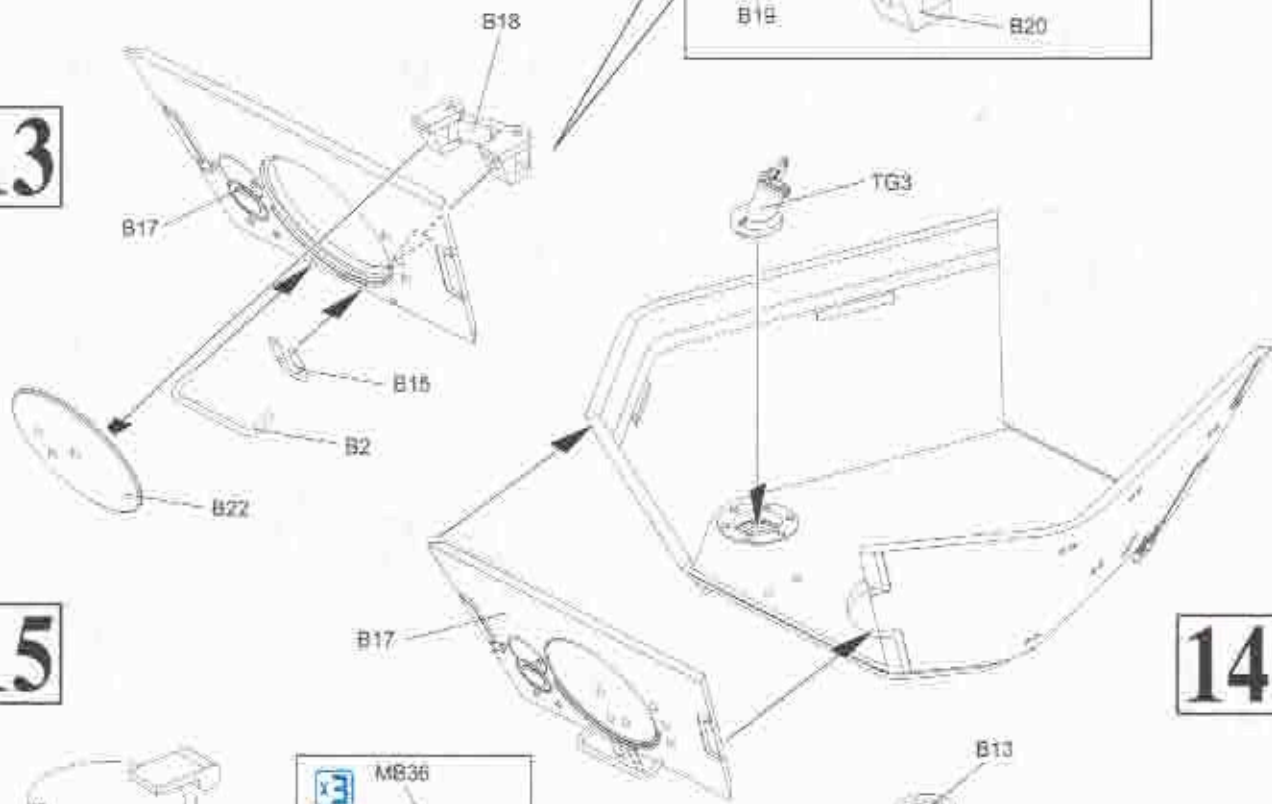
11

For Prototype

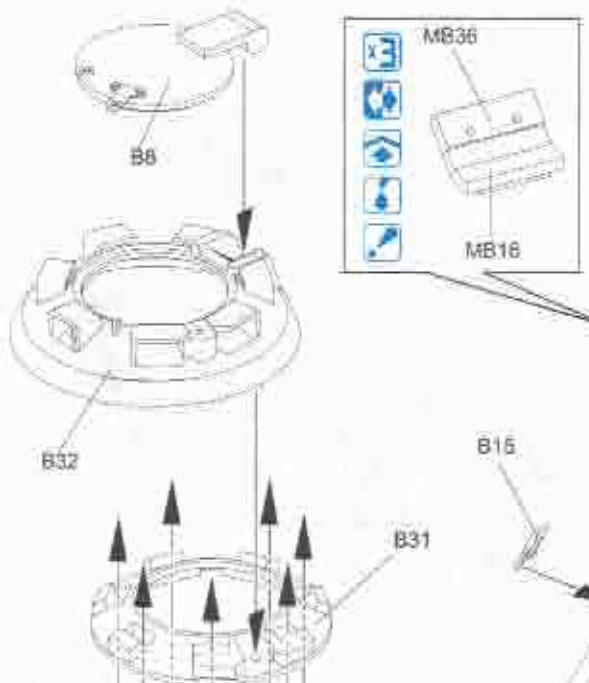
12



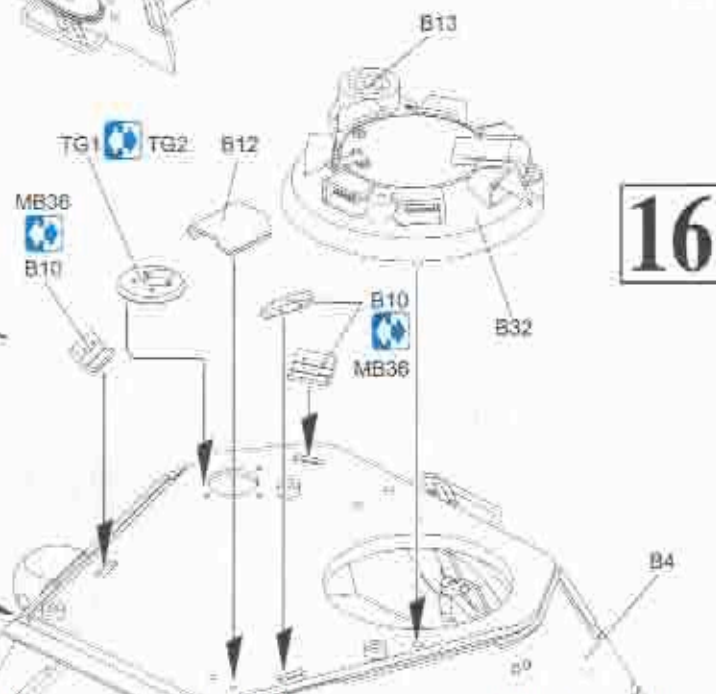
13



15

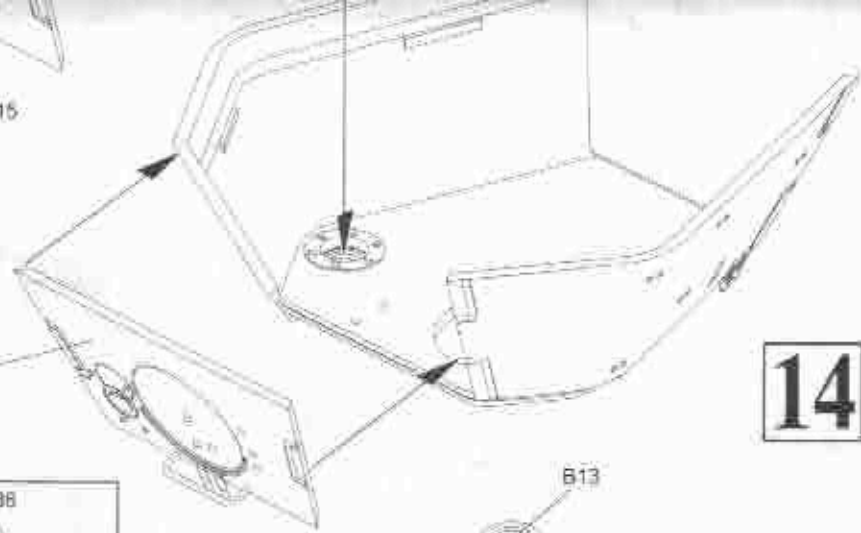
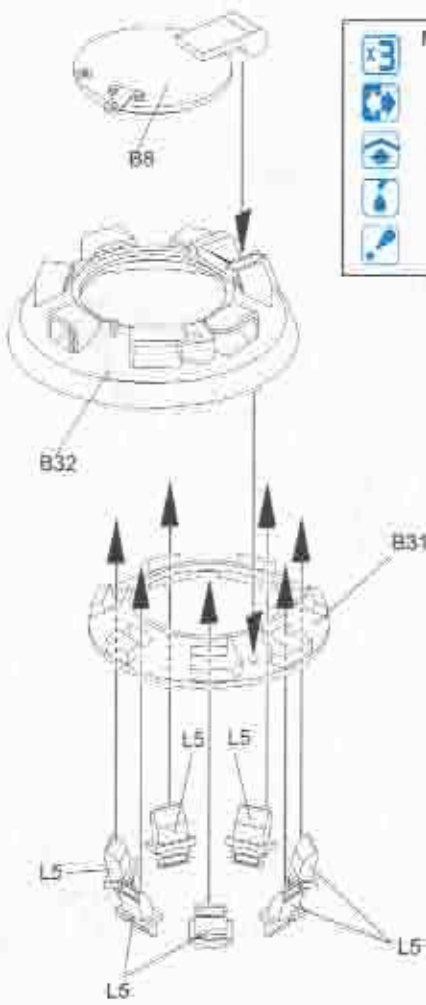


14



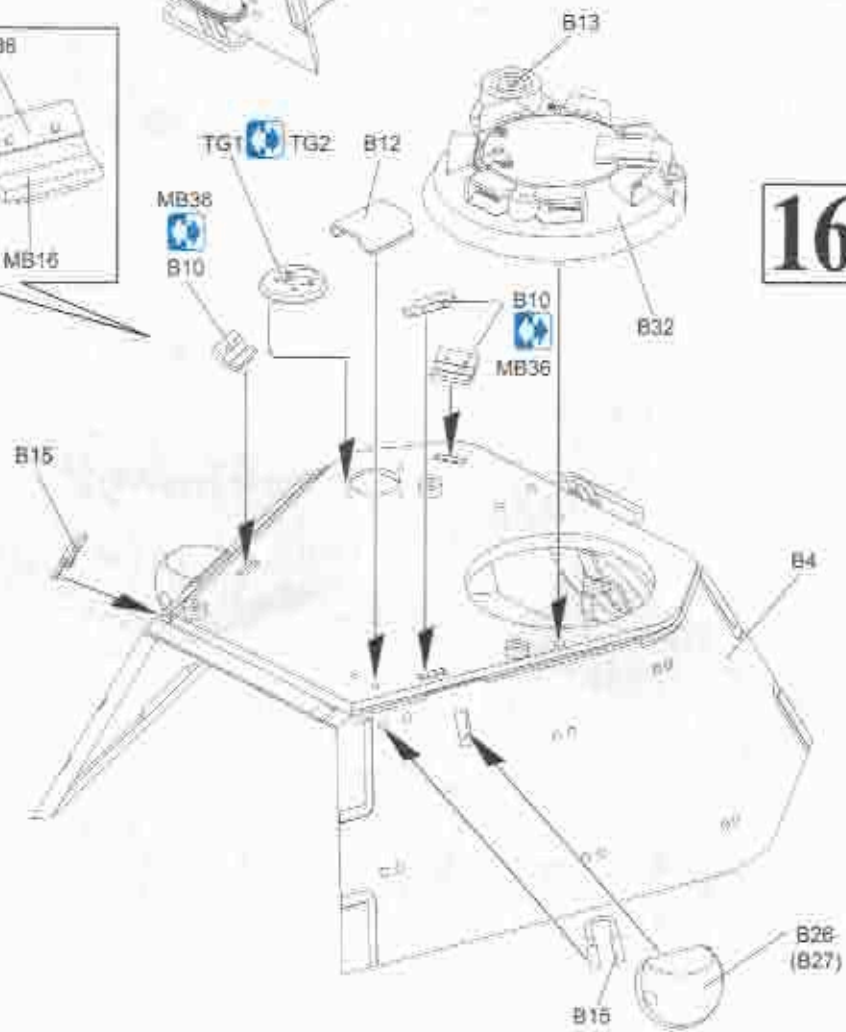
16

15

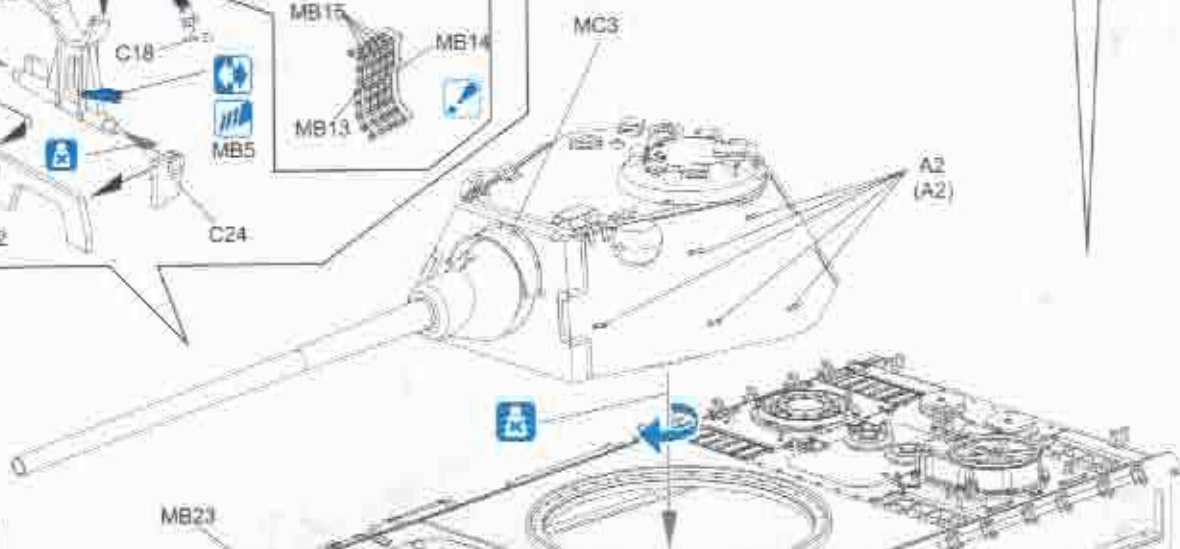
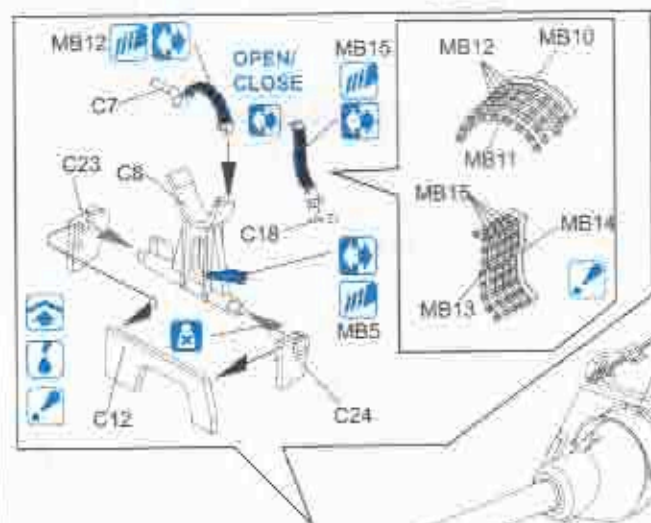
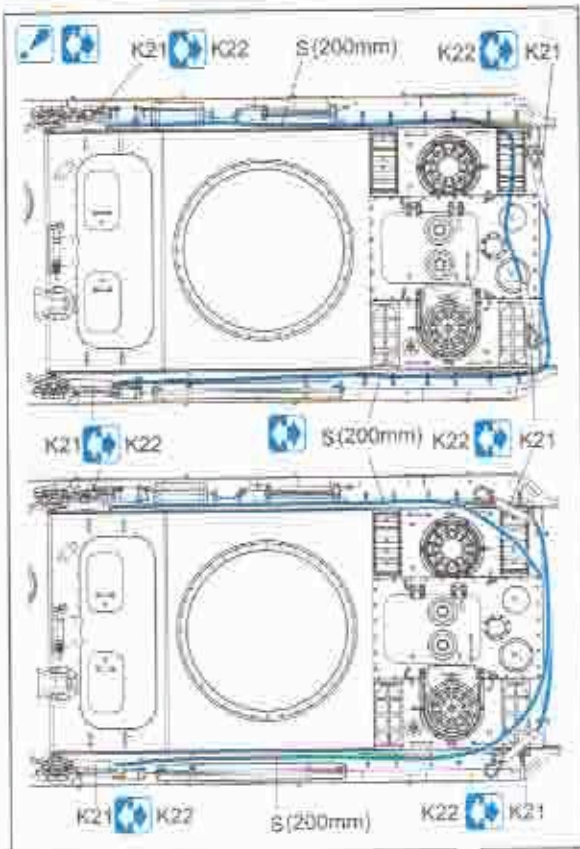
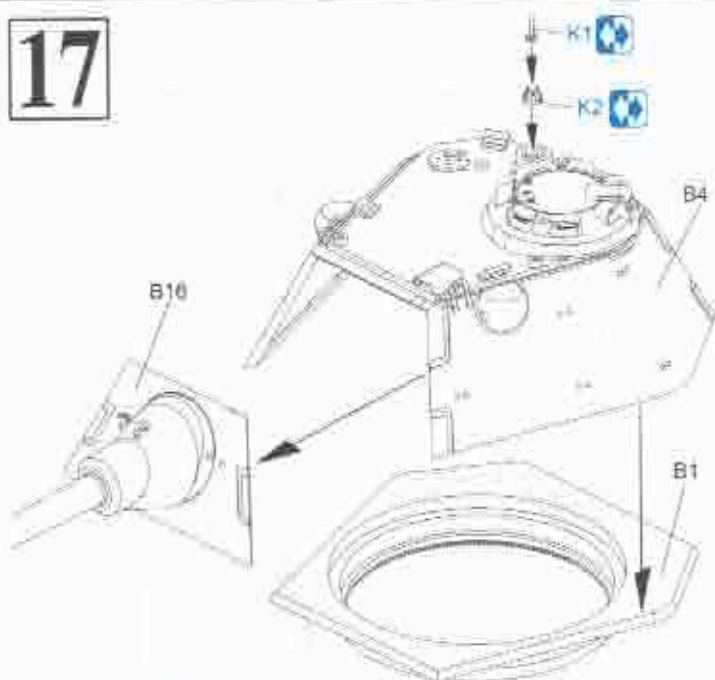


14

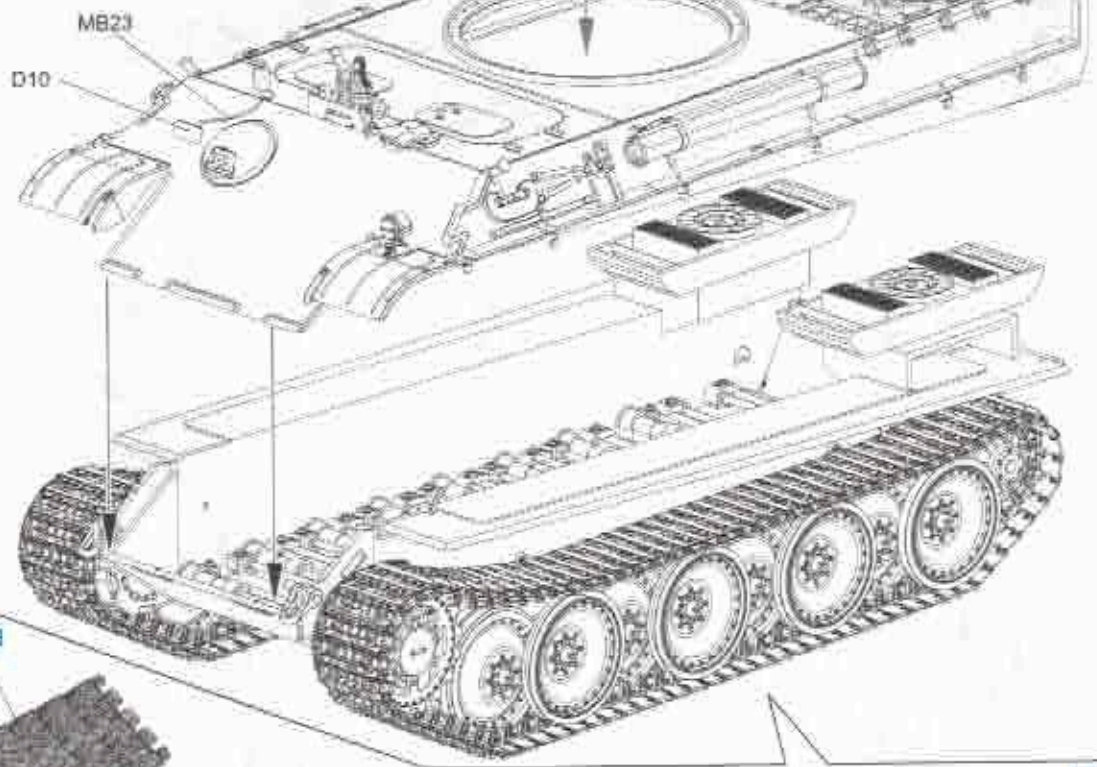
16



17



18



18

