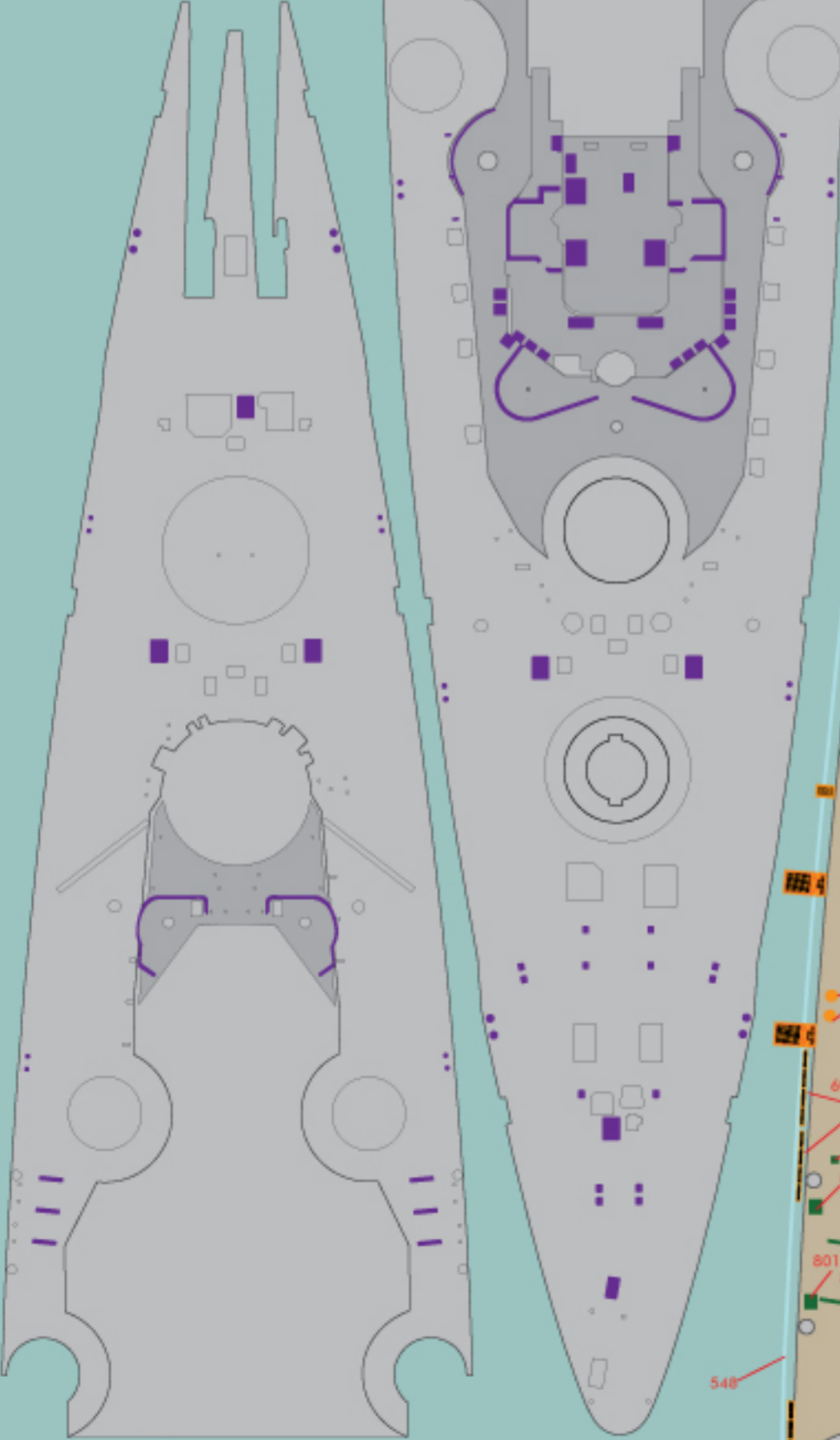


<Scribed Brass Parts : 200Pcs.>

- 01. 380mm Main Barrel : 8Pcs.
- 02. 150mm Barrel : 12Pcs.
- 03. 105mm-37 Barrel : 8Pcs.
- 04. 105mm-31 Barrel : 8Pcs.
- 05. 37mm Barrel : 16 Pcs.
- 06. 20mm F30 A Barrel+Base B+B+B : 2 Pcs.
- 07. 20mm B Barrel+Base : 10 Pcs.
- 08. 20mm C Barrel : 8 Pcs.
- 09. Bitt Large : 10 Pcs.
- 10. Bitt Med : 20 Pcs.
- 11. Capstan Axis : 3Pcs.
- 12. Capstan : 6Pcs.
- 13. Horn A+B : 1Pc.
- 14. Fore Mast : 1Pc.
- 15. Aft. Mast : 1Pc.
- 16. Main Top Mast : 1Pc.
- 17 Main Mast : 1Pc.
- 18. Yardarm F Mast 3+2+1 : 1 Pc.
- 19. Yardarm Aft A+Yardarm Main 1 B : 1 Pc.
- 20. Yardarm Main 4+3+2 : 1 Pc.
- 21. Yardarm 45 +Pole A+Pole B : 1 Pc.
- 22. Paravane Boom A+A+A+A : 1Pc.
- 23. Paravane : 8 Pcs.
- 24. Staff Stern : 1 Pc.
- 25. Staff Bow : 1 Pc.
- 26. Crane Axis A+B+C+D: 2Pcs.
- 27. Crane Damper : 4Pcs.
- 28. Screw Guard+Bridge1 + Bridge2 : 2Pcs.
- 29. Derrick Bow A+B : 2Pcs.
- 30. Derrick Stern : 2Pcs.
- 31. Catapult A+B : 2 Pcs.
- 32. Reel A+A+B+B+B : 3Pcs.
- 33. Bell : 1Pc.

<Remove before Applying Wooddeck>

- < Contents >
- 1. Stained Wooden Deck
 - 2. Scribed Brass : 200 Pcs.
 - 3. Photo Etching : 8 Sheets
 - 4. Resin Parts : 63 Pcs.
 - 5. Life Tubes : 25 Pcs.
 - 6. Dry Transfer : 1 Sheet

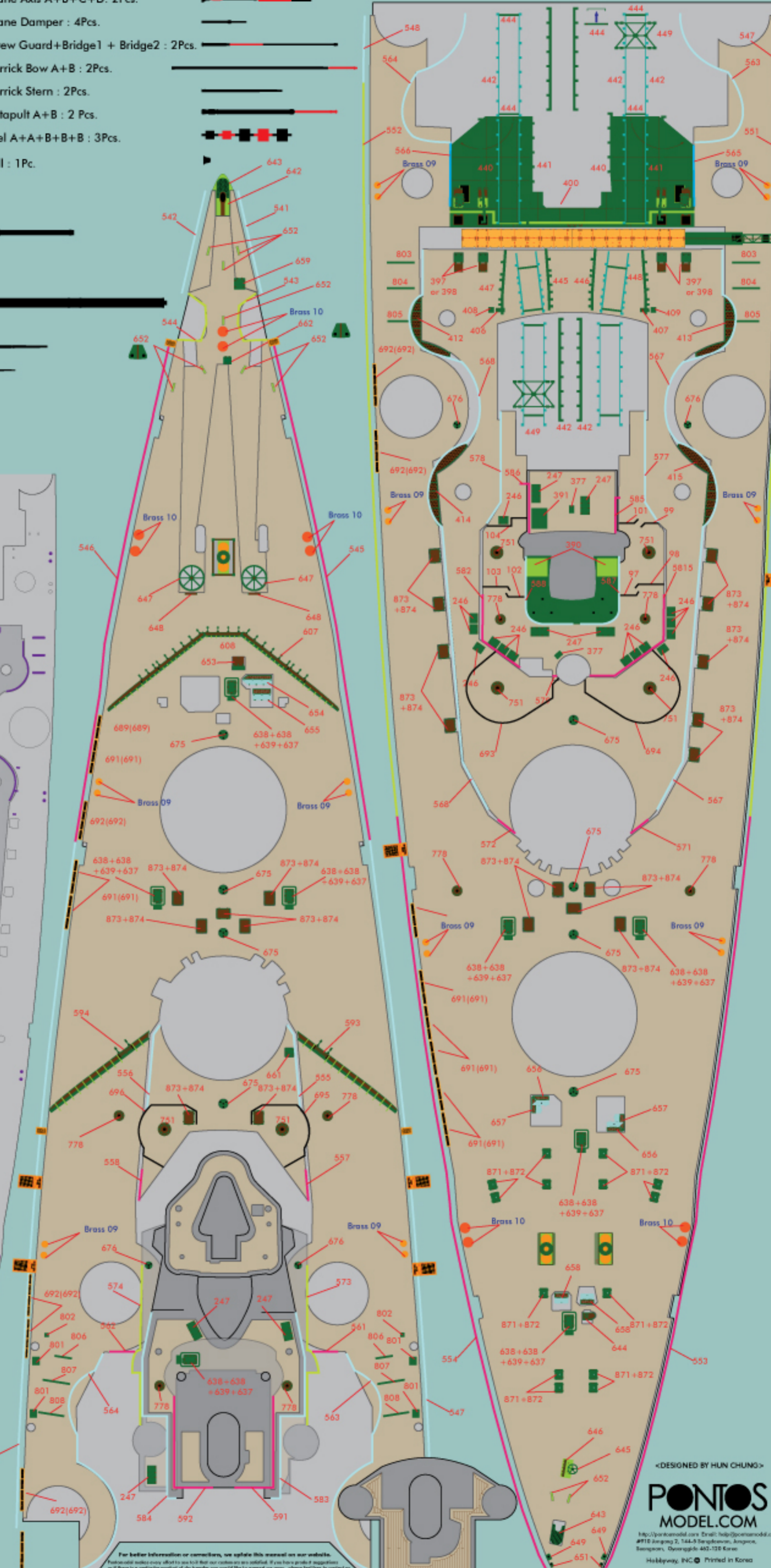


<References>

- 1. Hans Gölly, Bismarck : 1:100 Master Plan, Malsch
- 2. Josef Kaiser, Schlachtschiff Bismarck - Das Original im Detail, Düsseldorf, SimonViering, 2004
- 3. Philippe Ceresini, Le Croiseur Bismarck, Outreux, Lela Presse, 2002
- 4. Waldemar Góralski / Grzegorz Nowak The Battleship Bismarck : Super Drawing in 2D, Lublin, Kagaro, 2010
- 5. Miroslaw Skwiat, German Naval Guns 1939-1945, Barnsley, Seaforth Publishing, 2010
- 6. Jack Brewer, The Battleship Bismarck : Anatomy of the ship, London, Conway maritime Press, 2008



35022F1 1/350 BISMARCK 1941 DETAIL UP SET

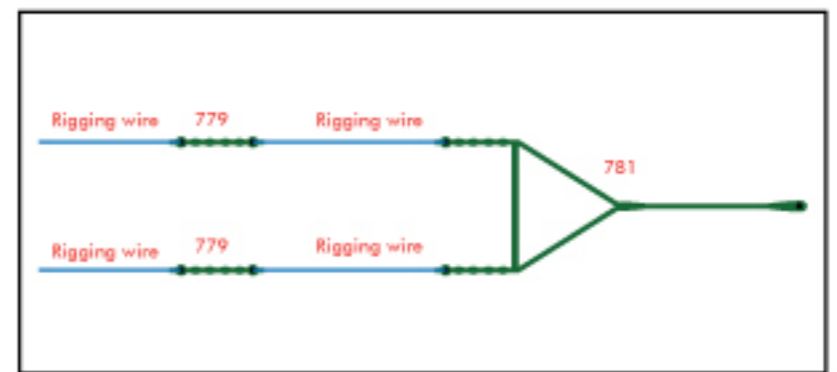


For better information or corrections, we update this manual on our website.

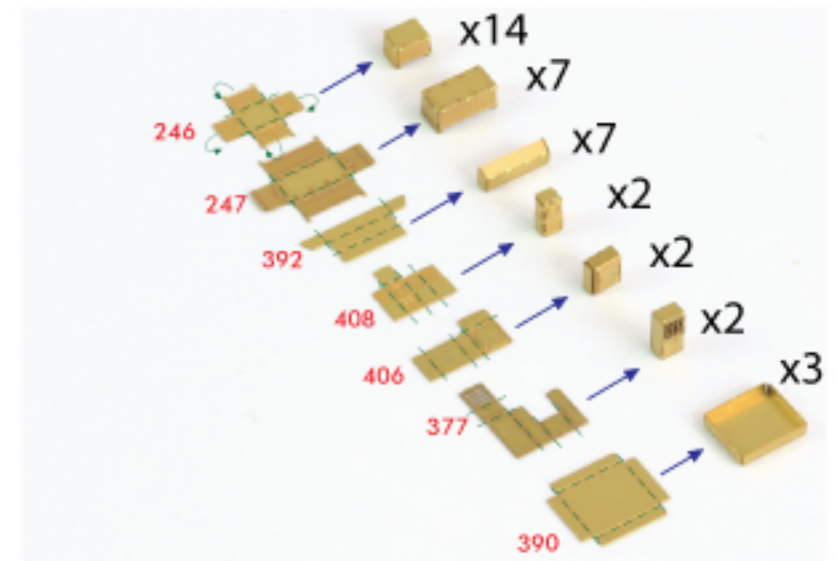
<DESIGNED BY HUN CHUNG>

PONTOS
MODEL.COM
http://pontosmodel.com Email: help@pontosmodel.com
#110 Ganggang 2, 144-9 Sanghwa-dong, Ansan, Gyeonggi-do 440-128 Korea
Hobbyway, INC. Printed in Korea

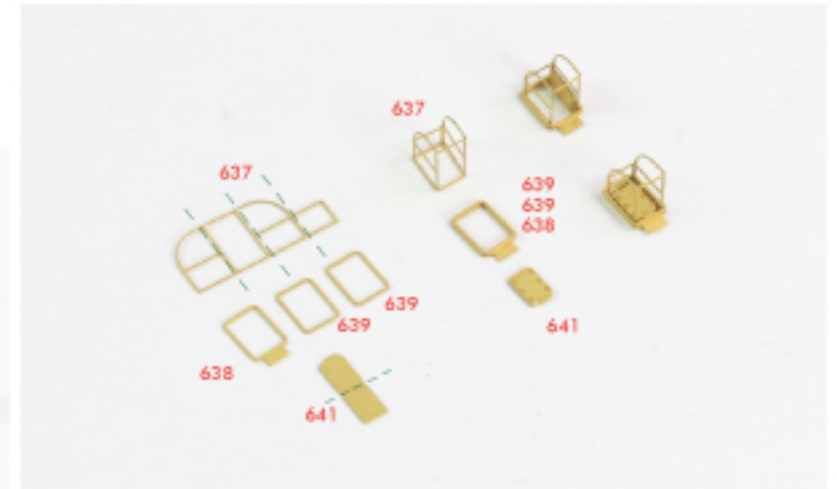
<Rigging Connectors>



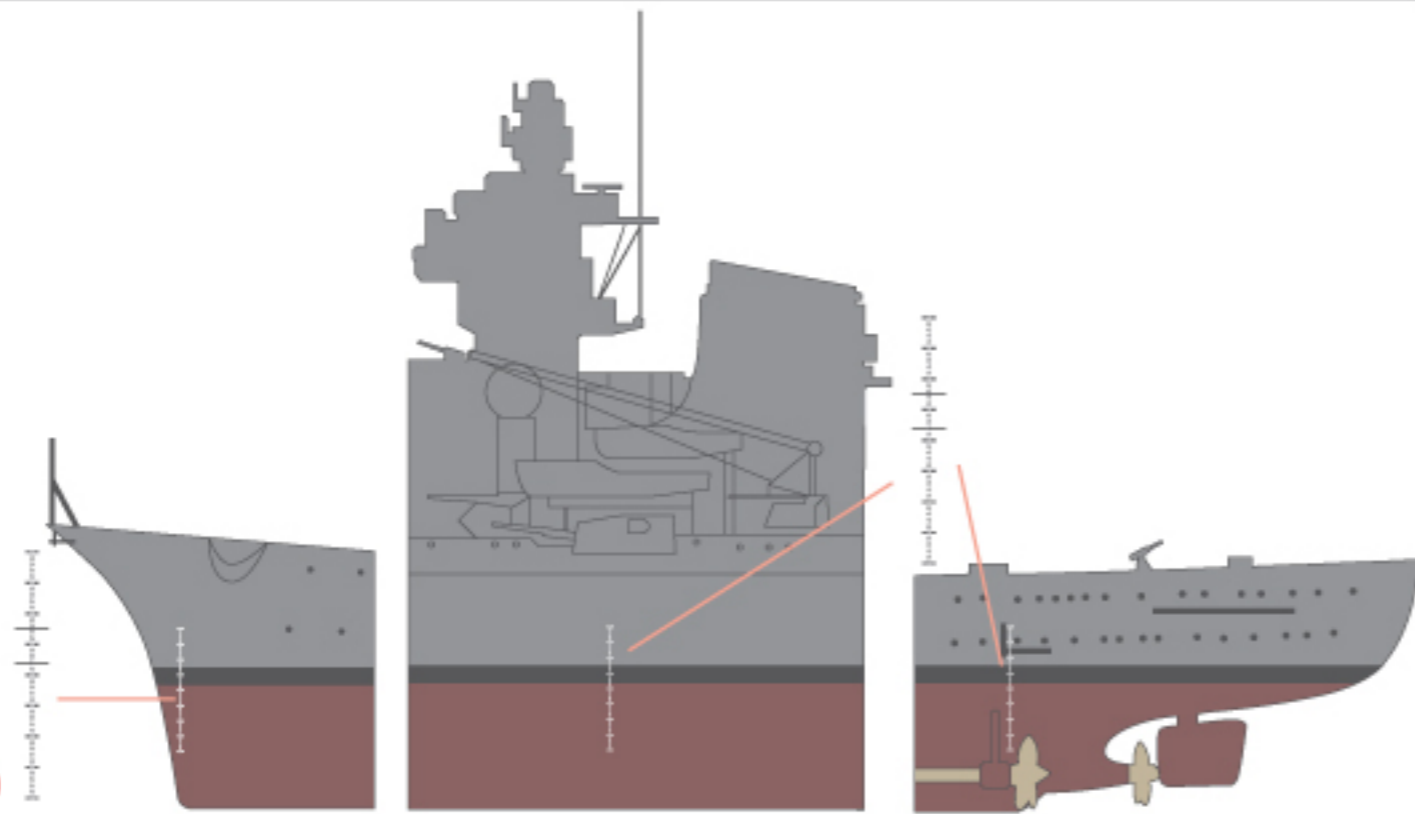
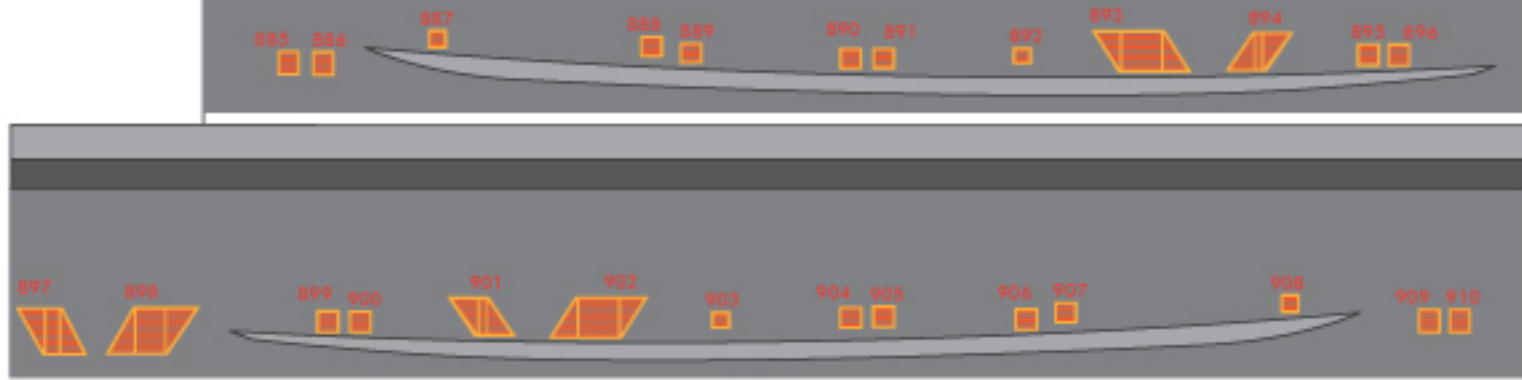
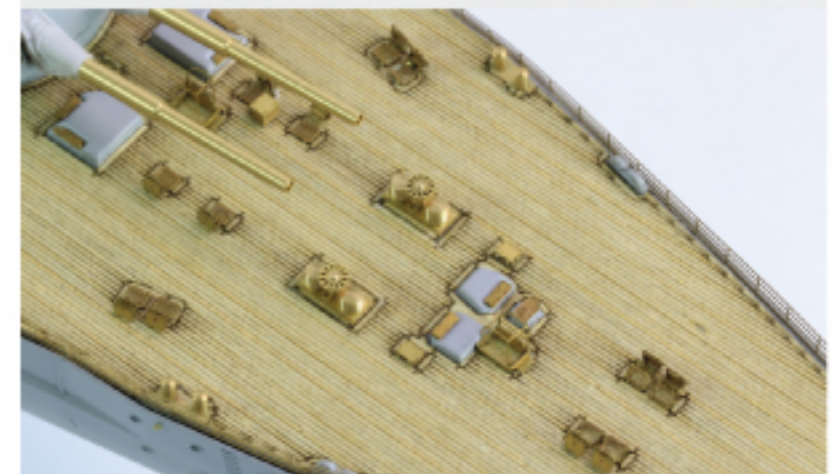
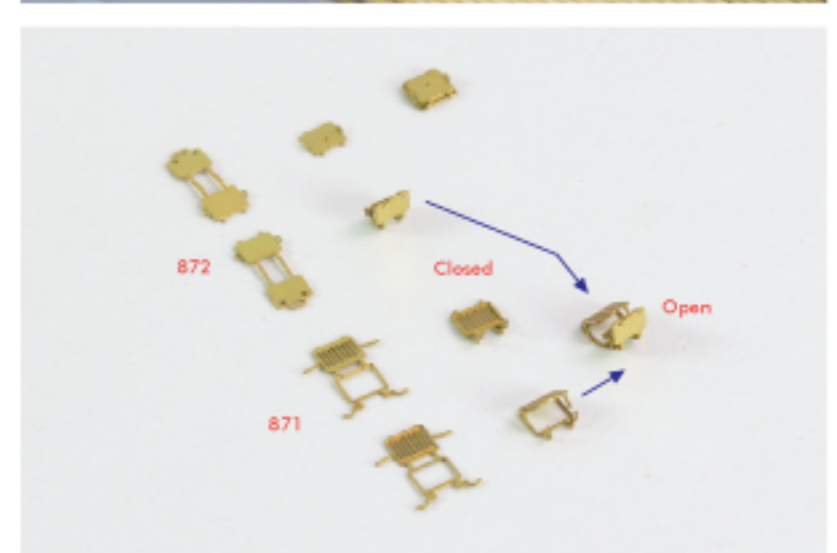
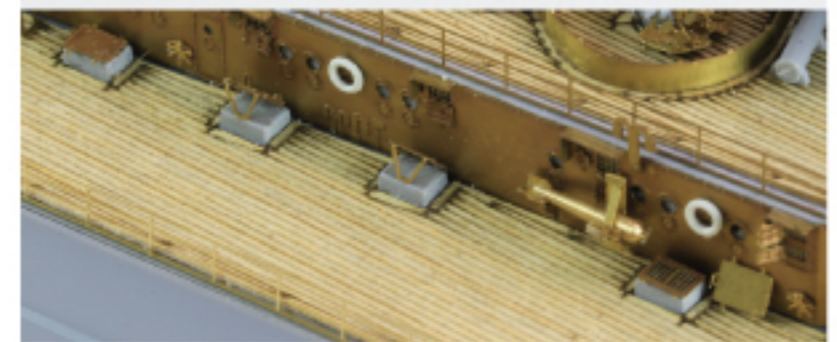
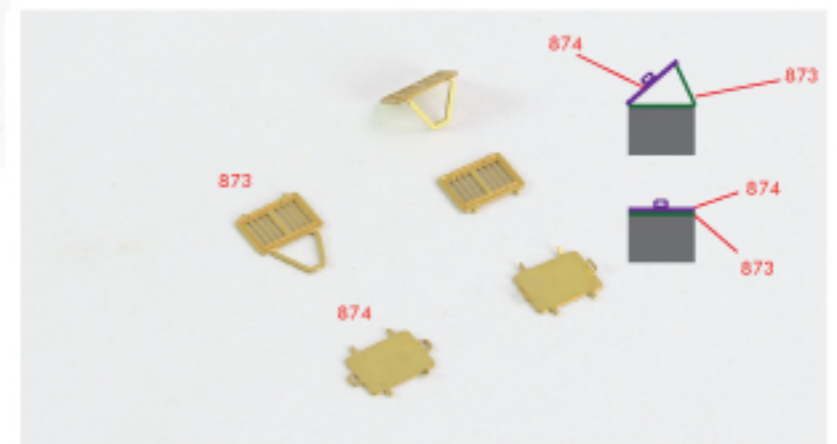
<Boxes>



<Deck Door>



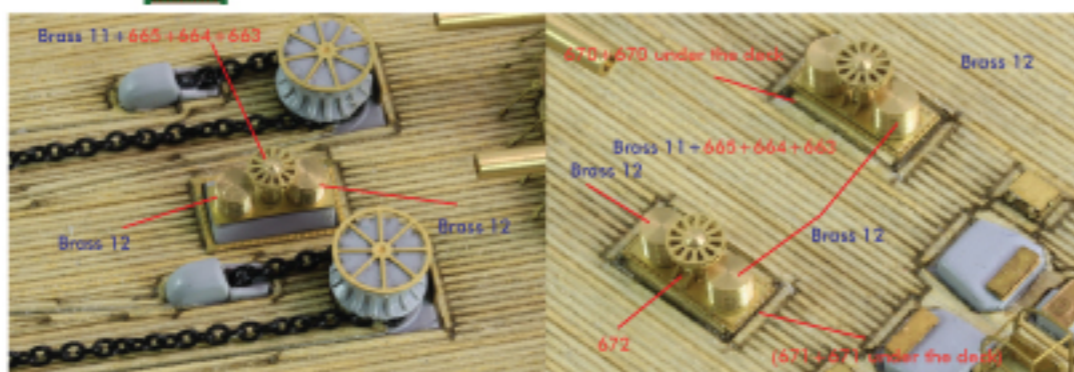
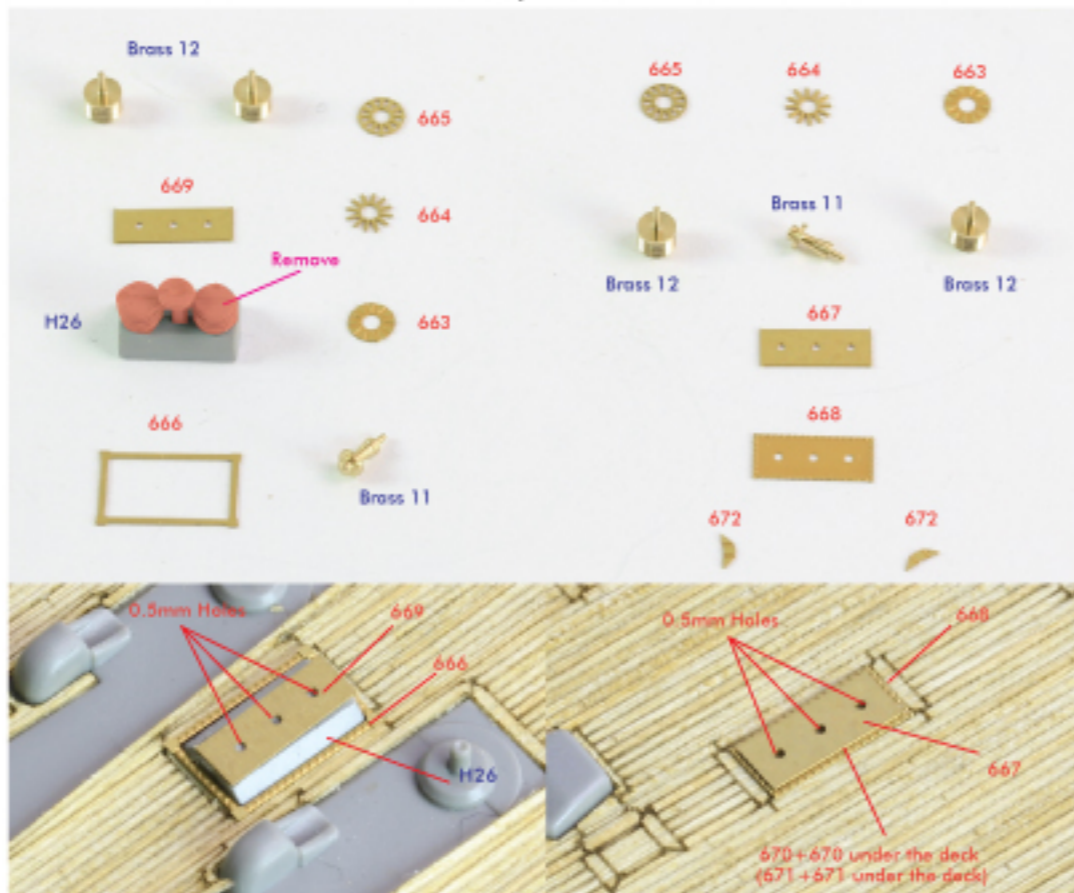
<Sky Lights>



<Resin Parts / Life Tubes>



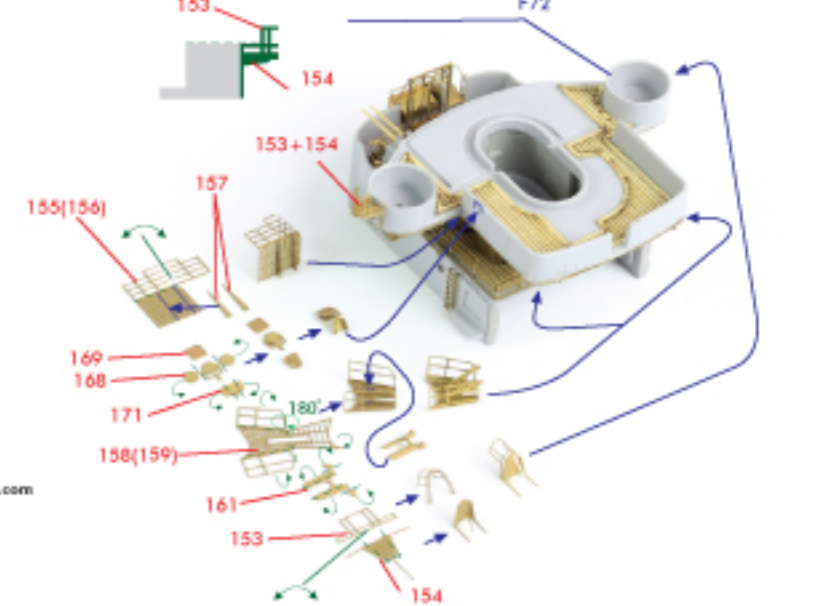
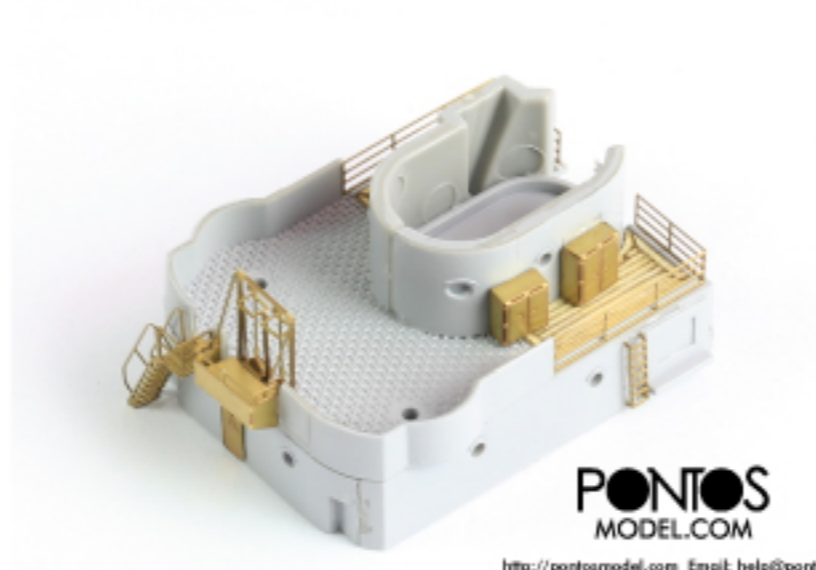
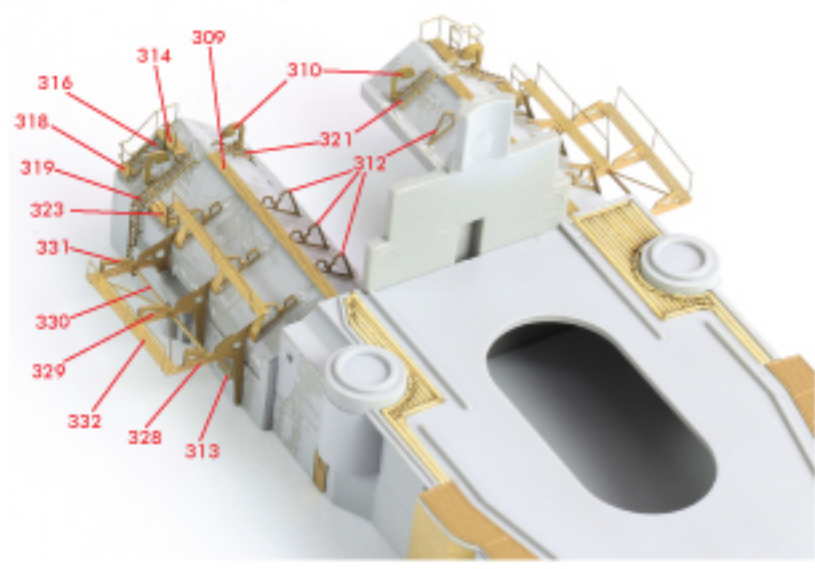
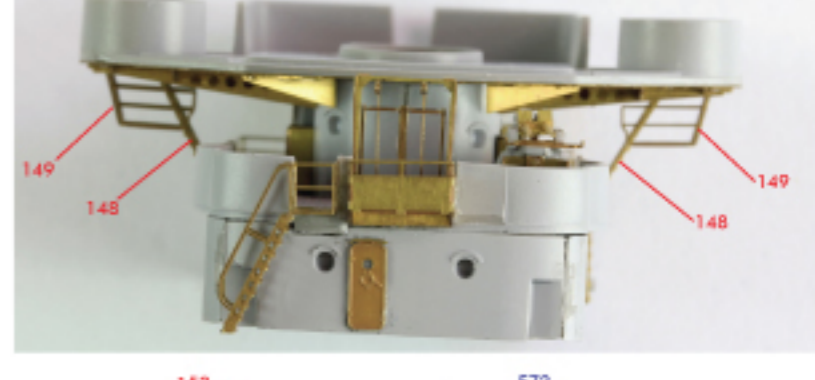
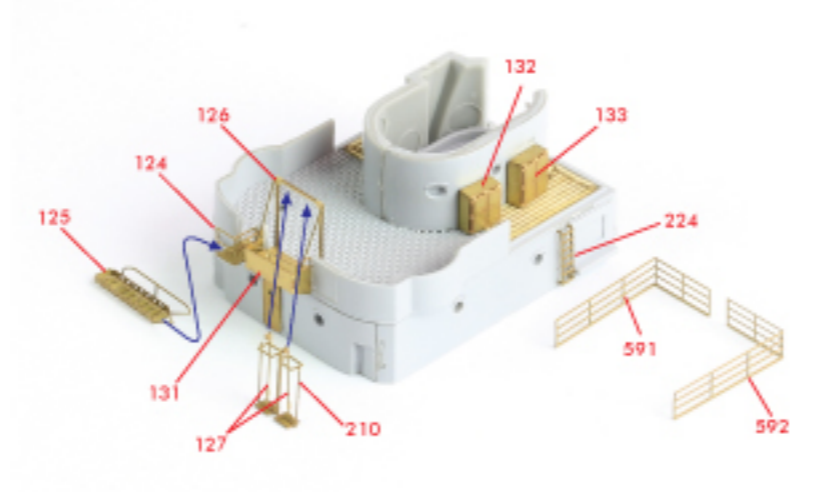
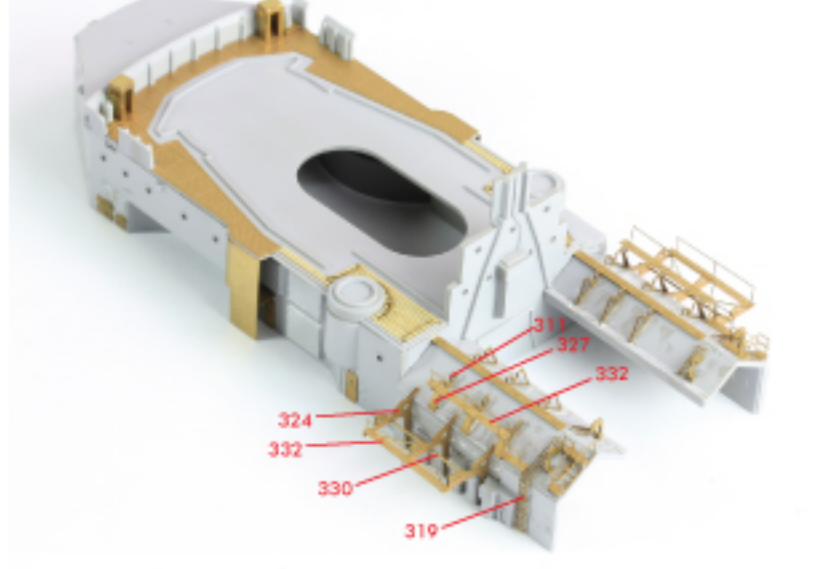
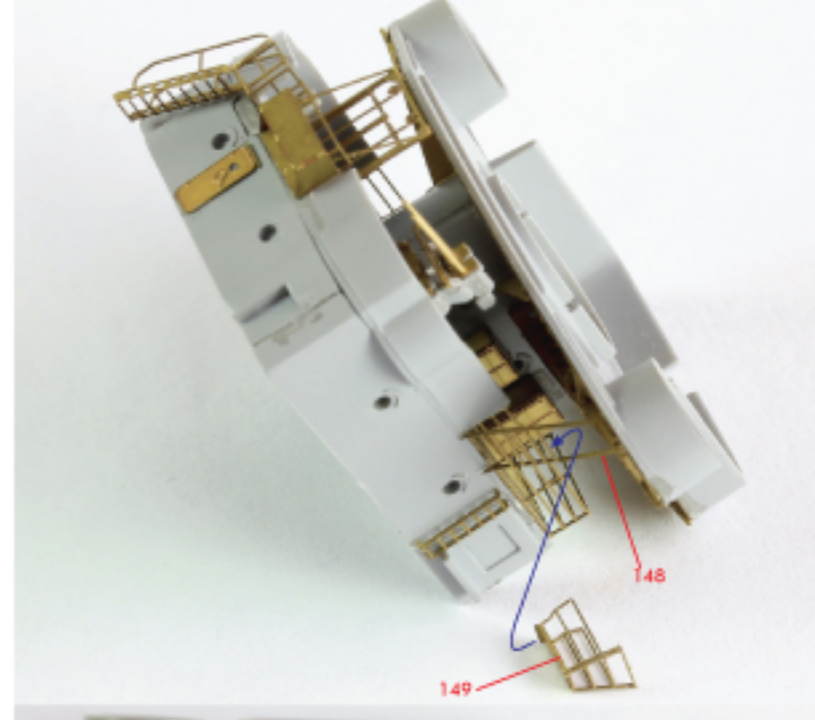
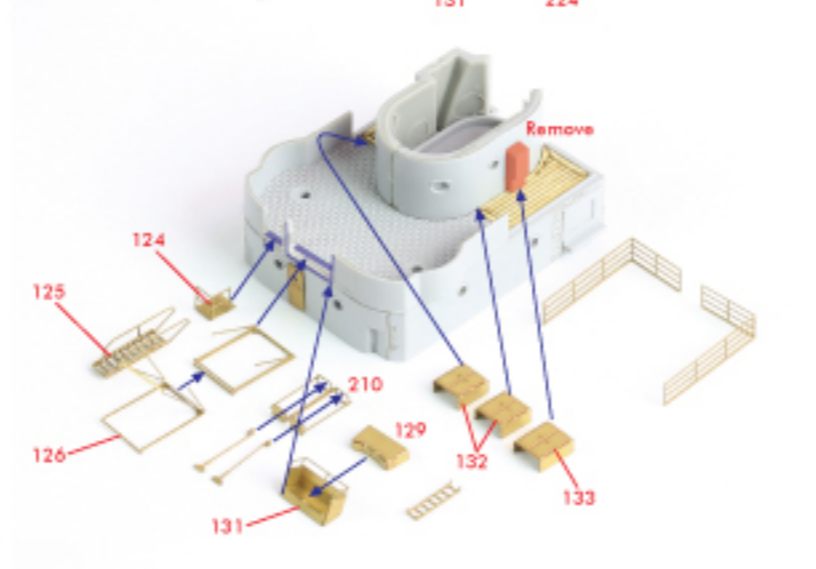
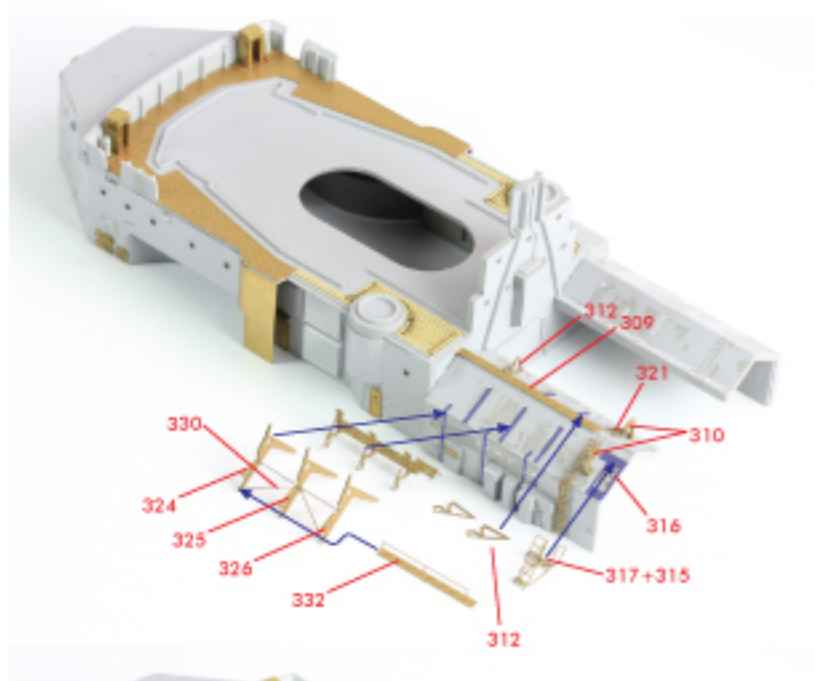
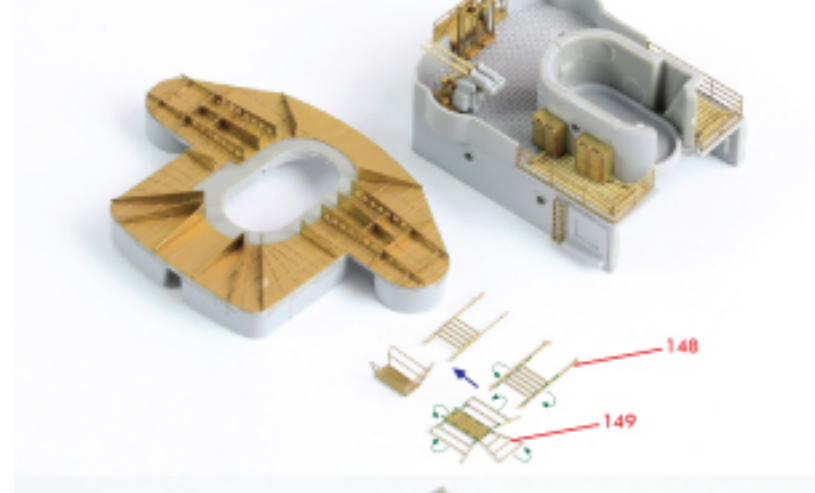
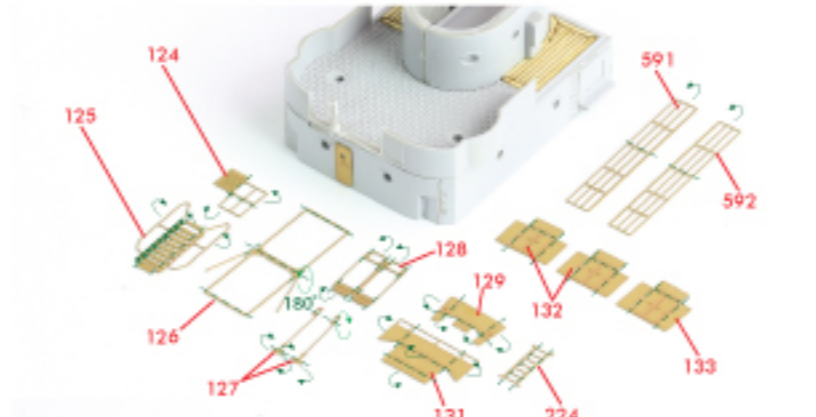
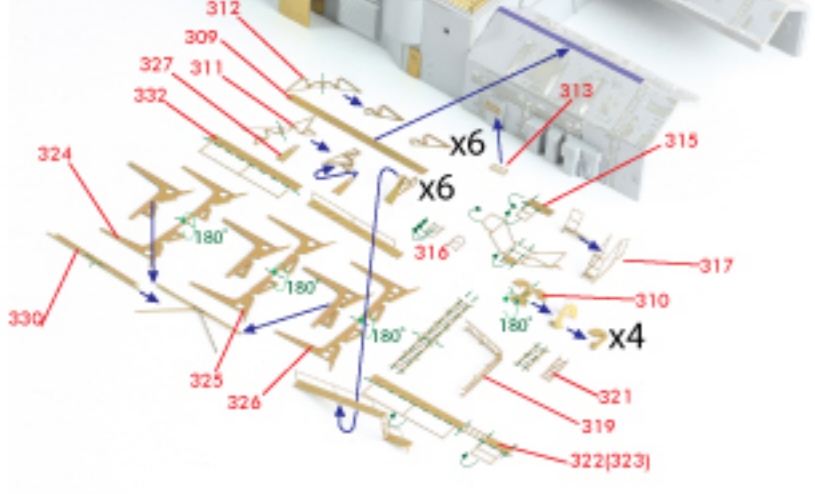
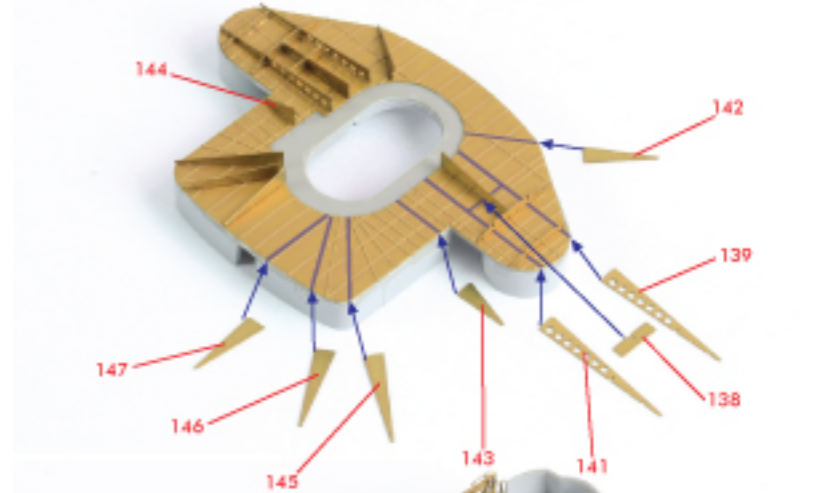
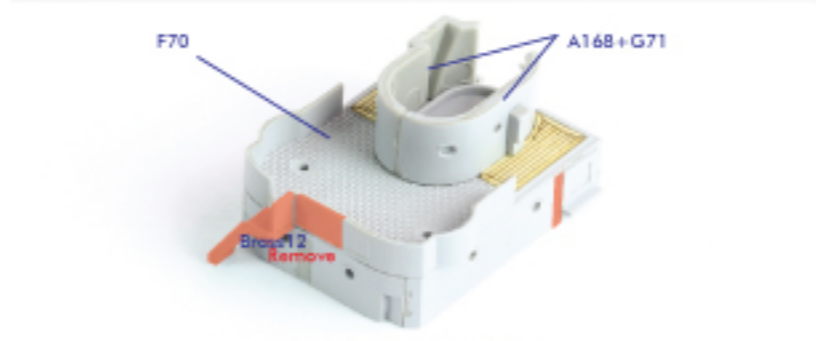
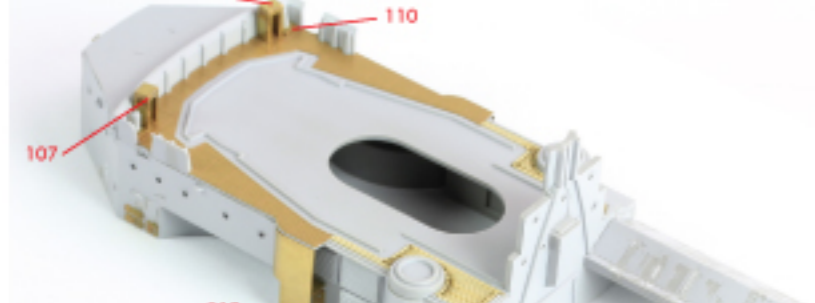
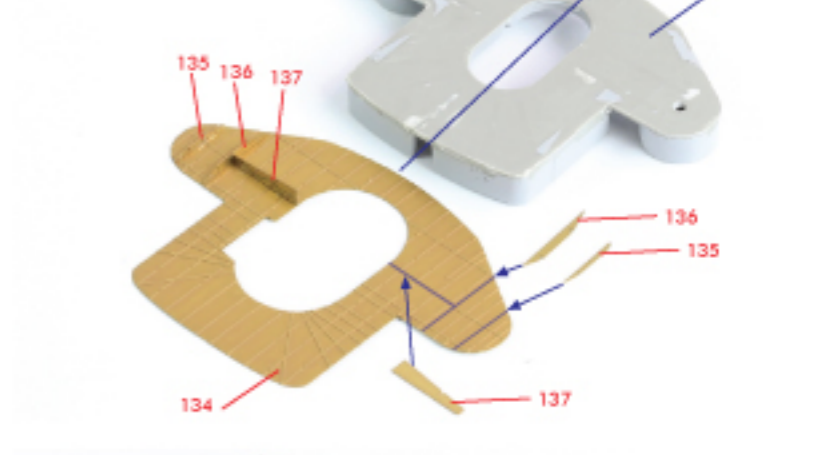
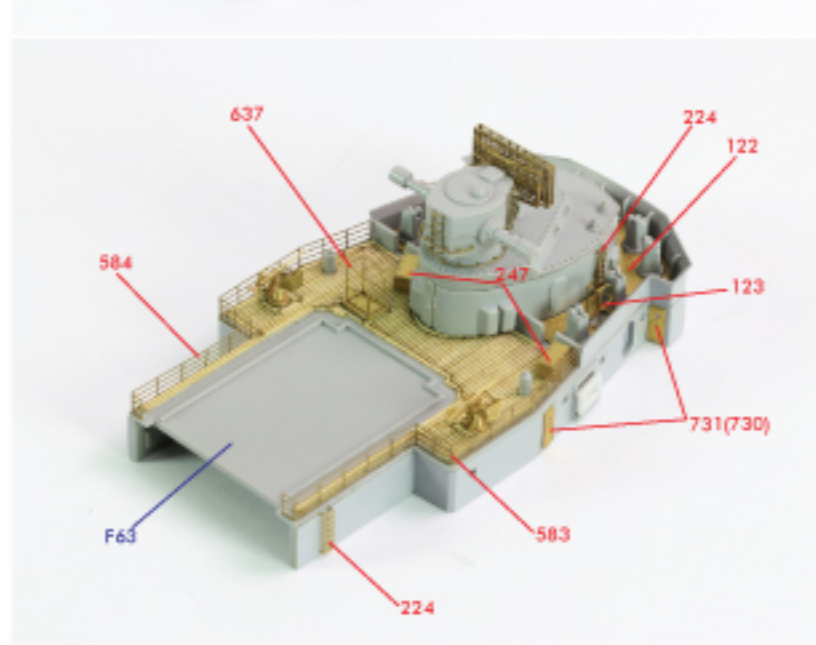
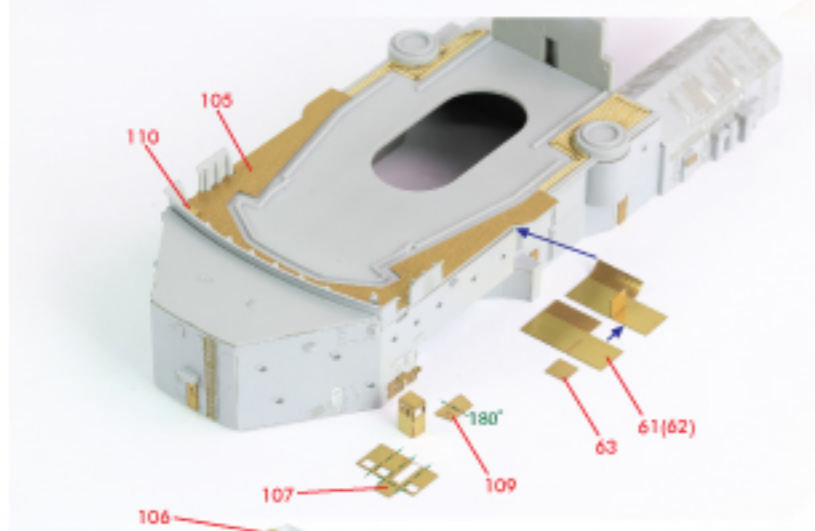
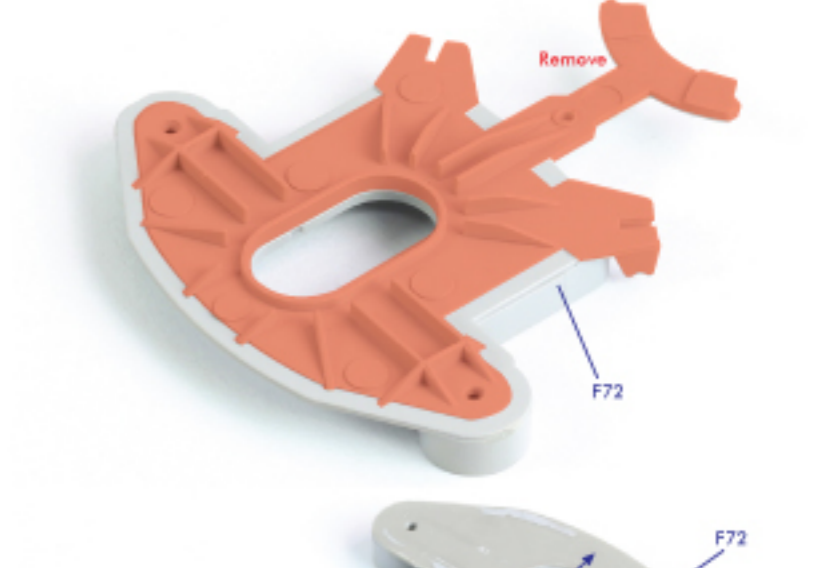
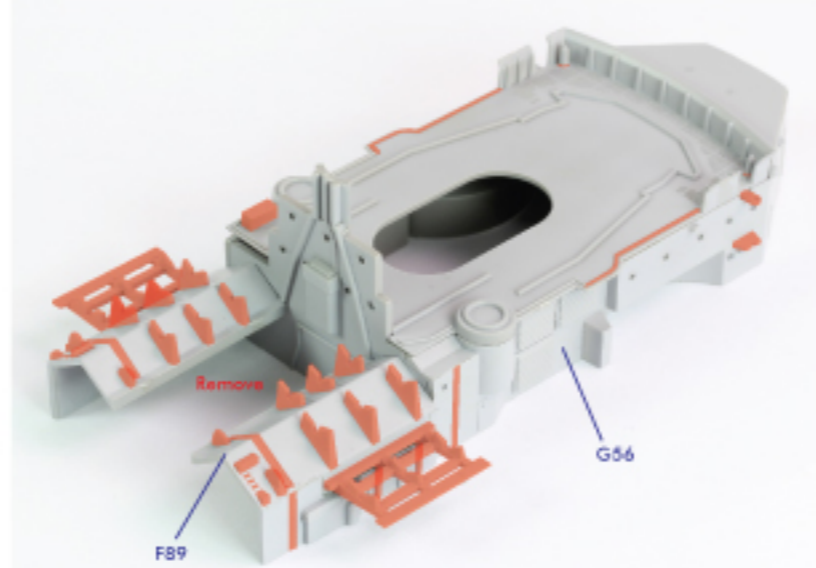
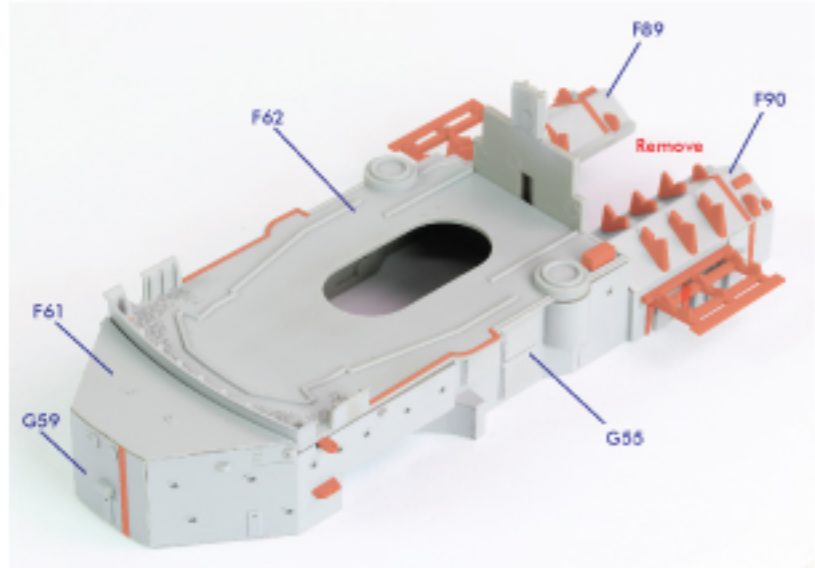
<Capstans>



569(569)

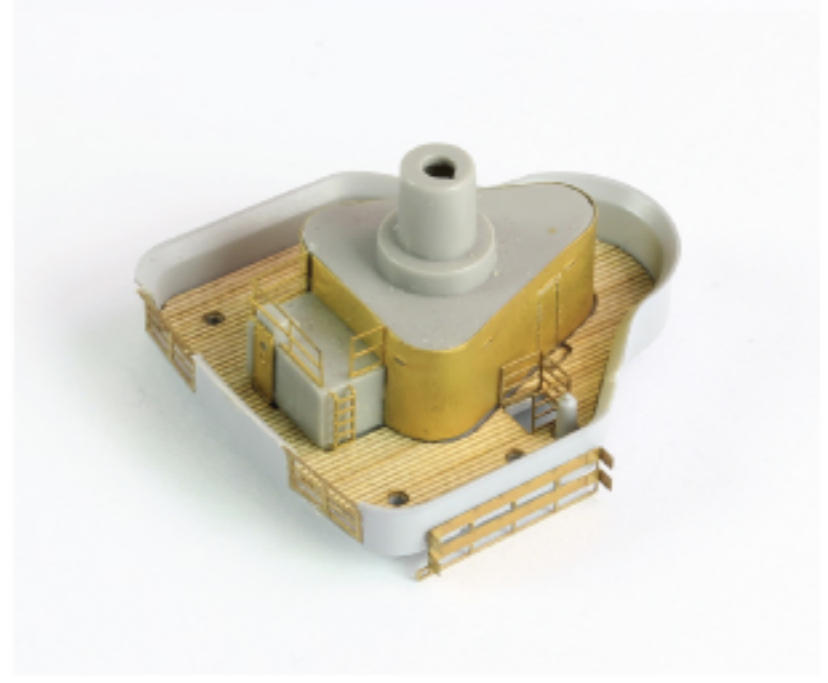
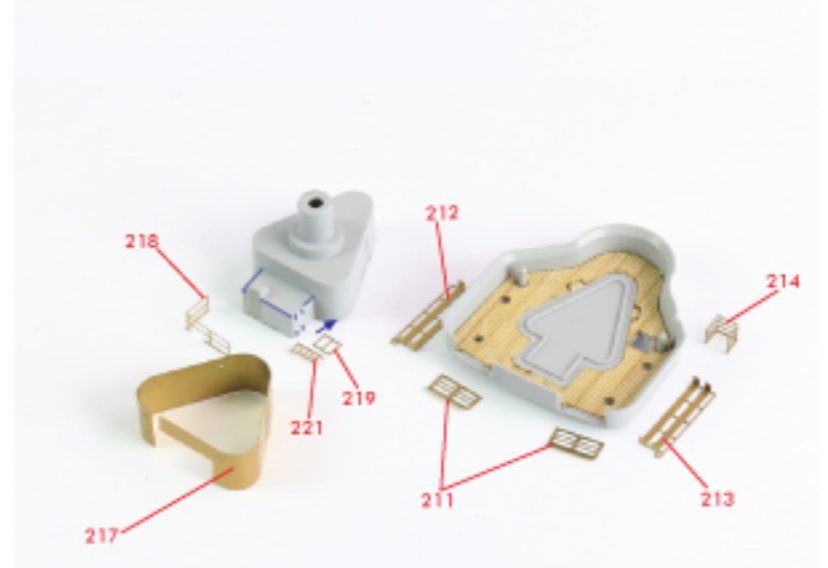
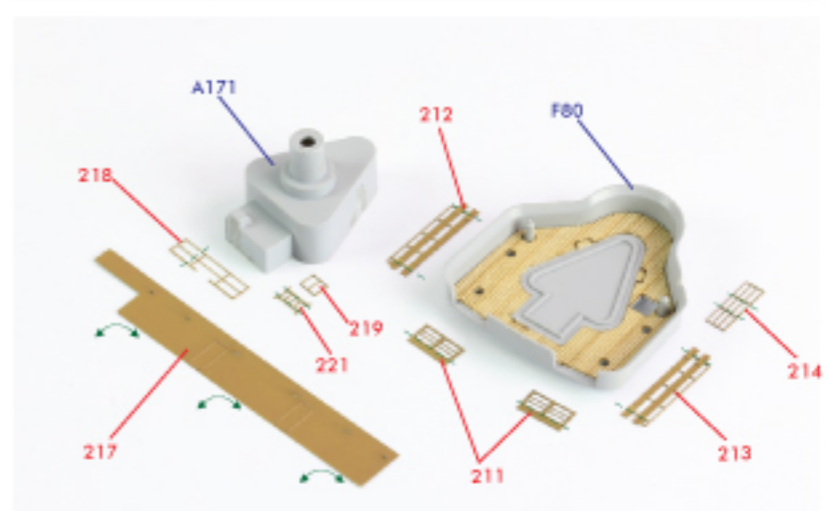
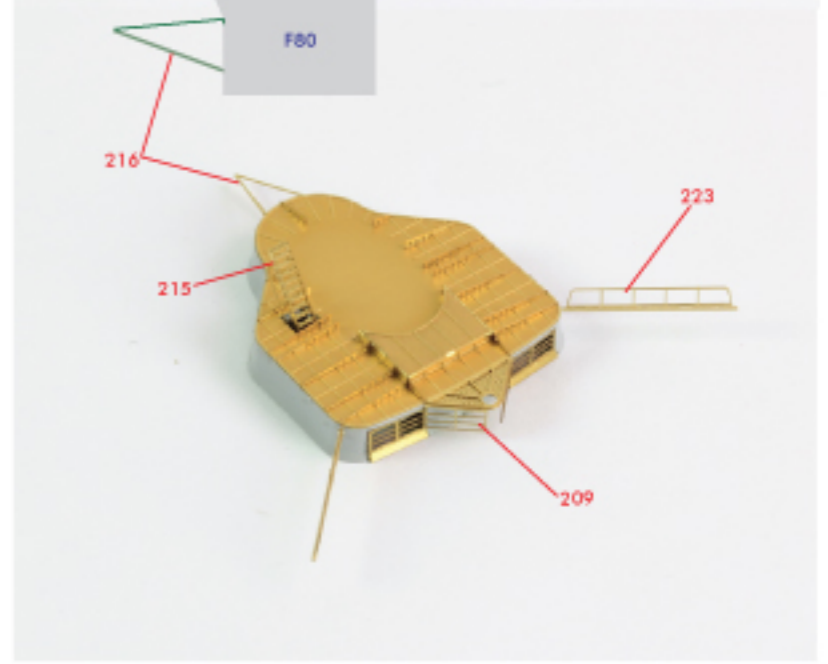
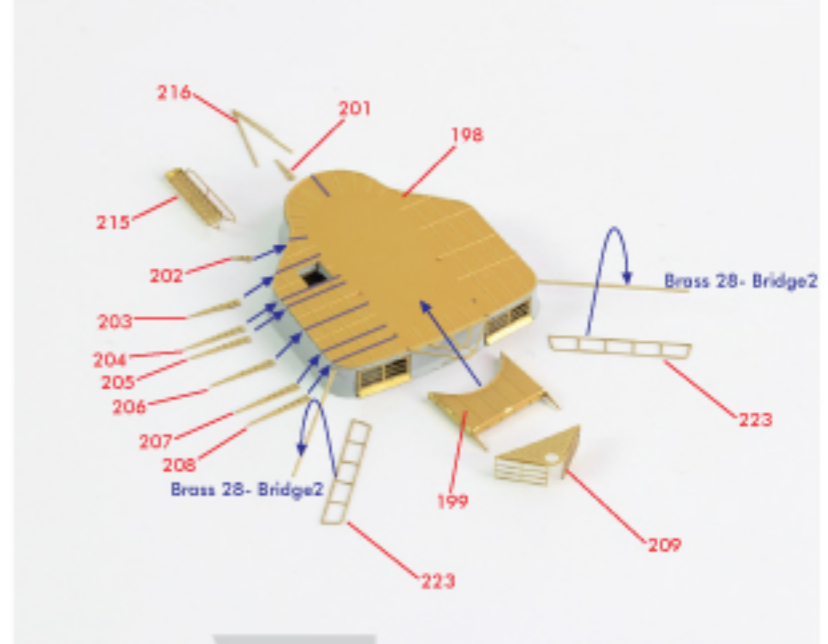
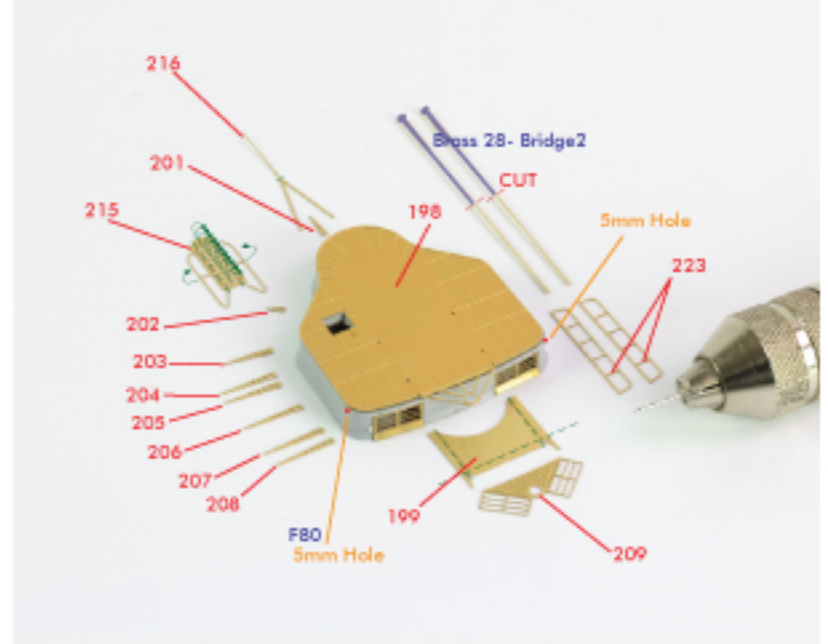
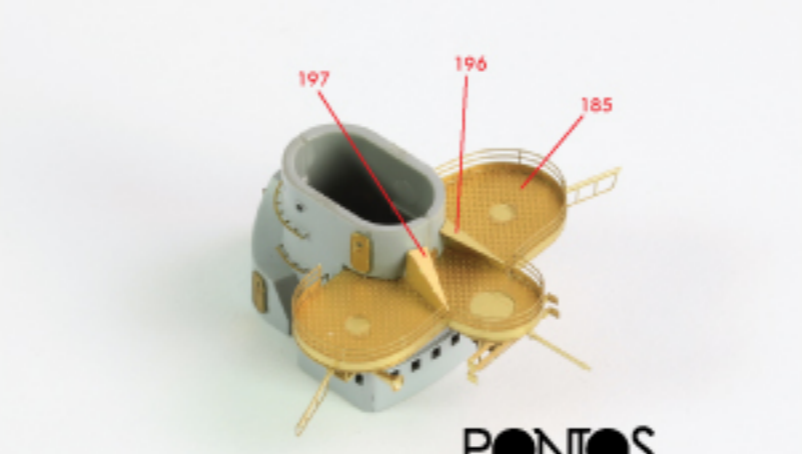
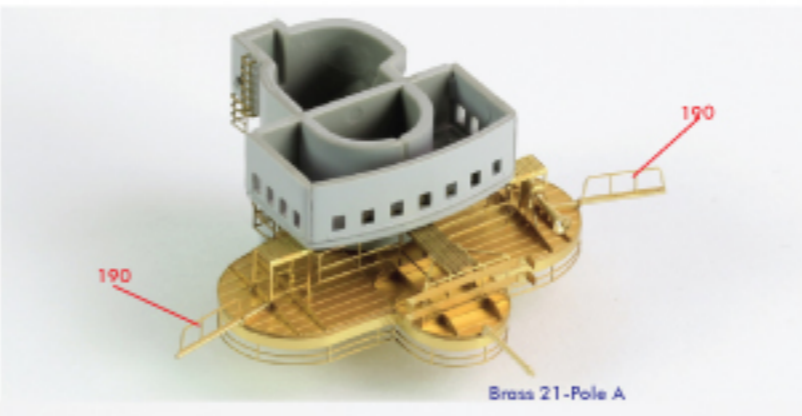
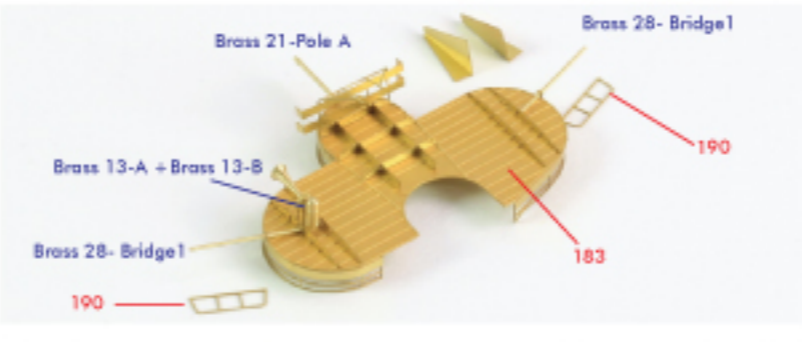
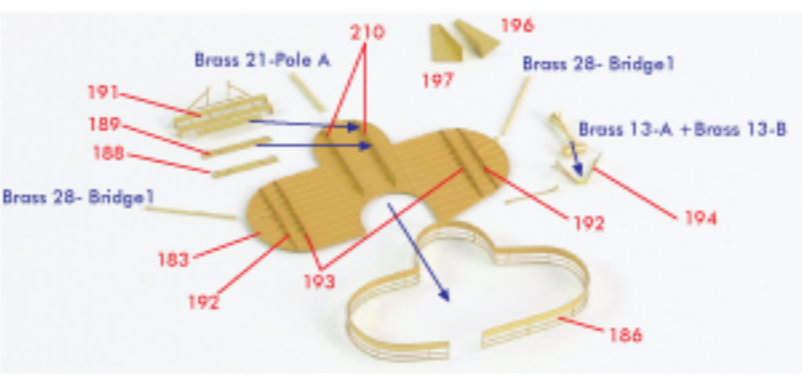
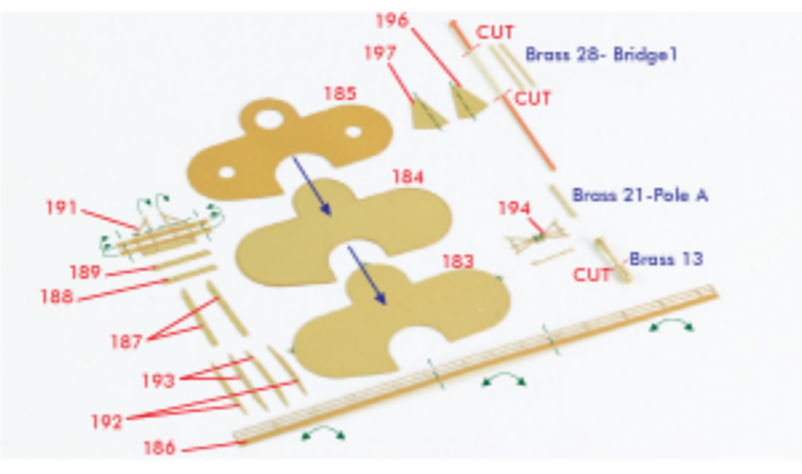
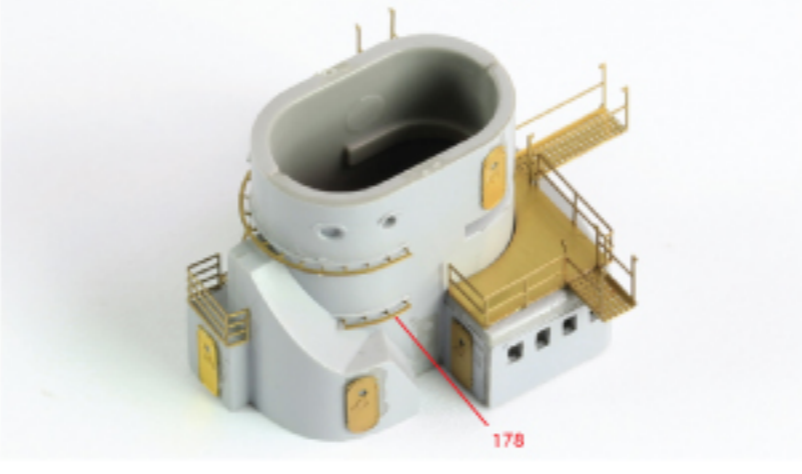
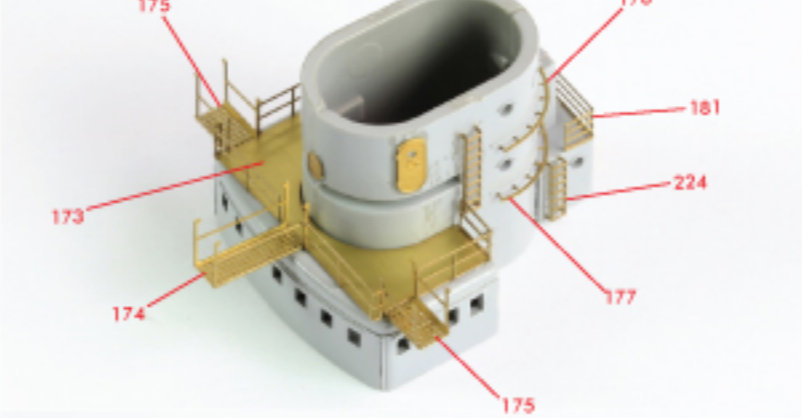
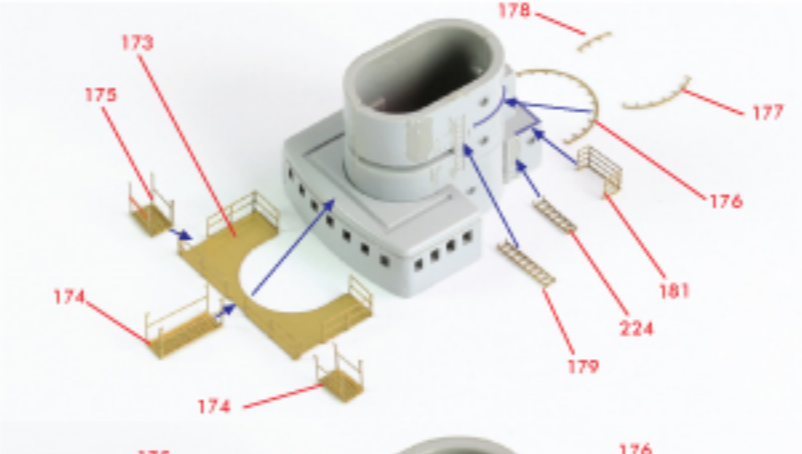
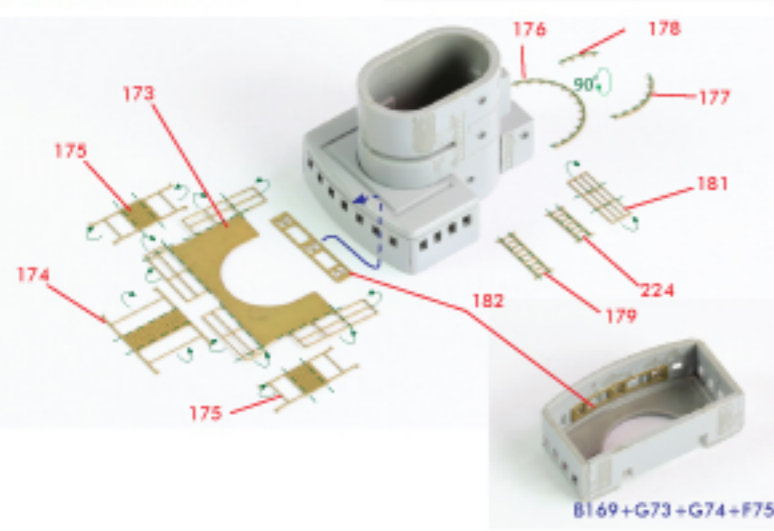
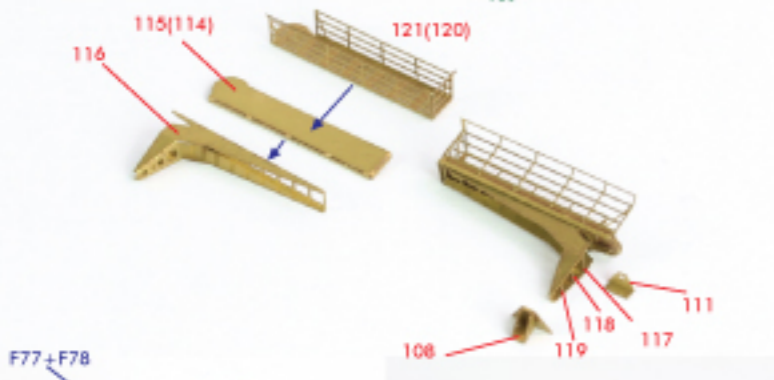
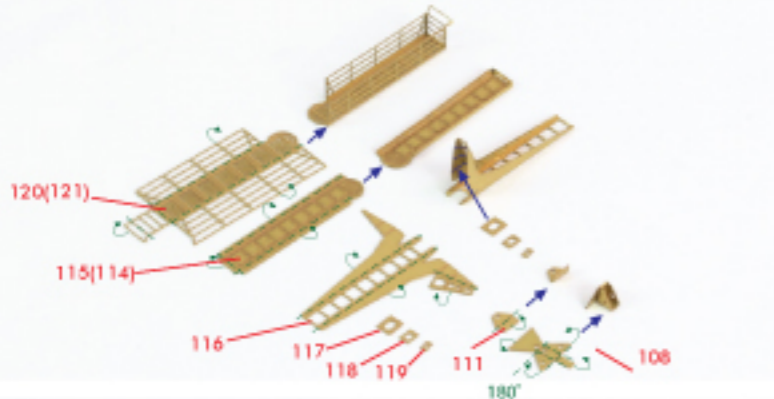
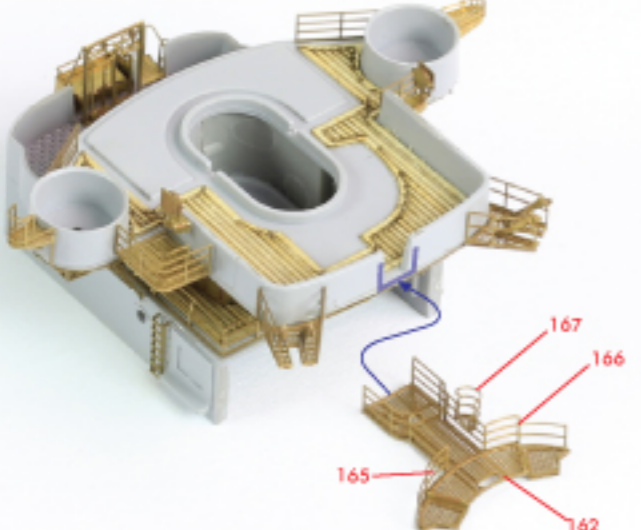
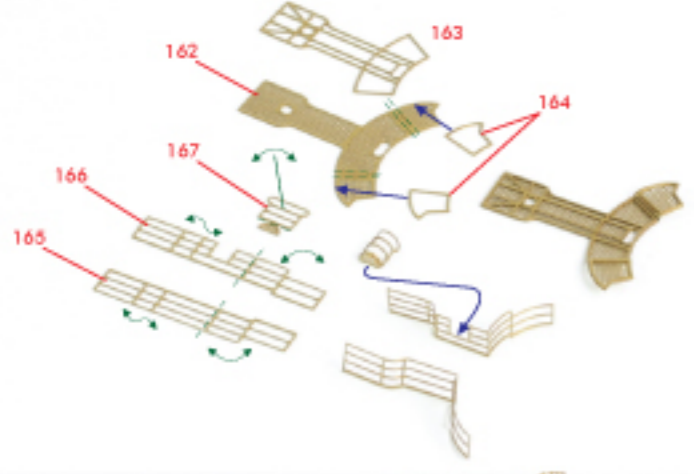
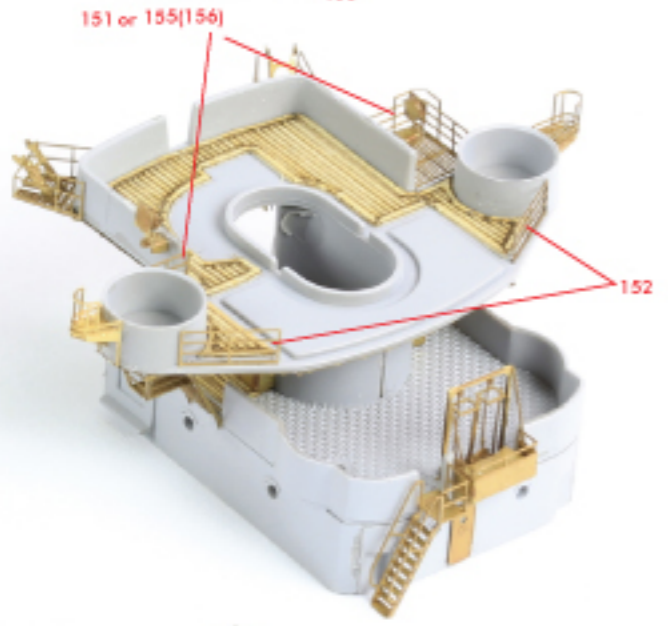
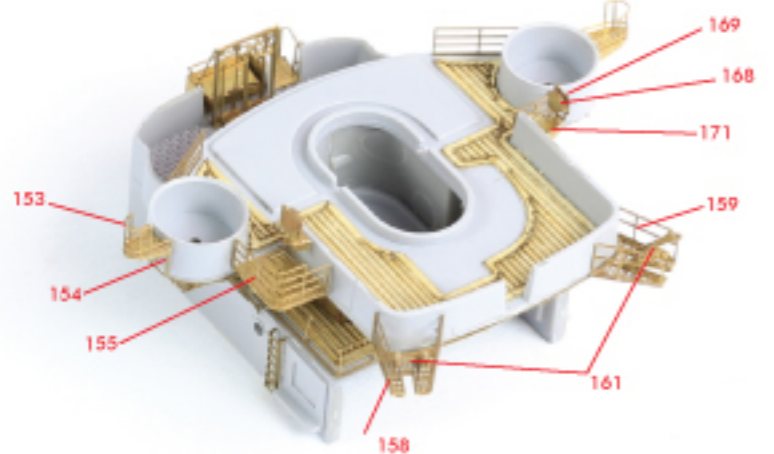
590(589)

<Bridge>

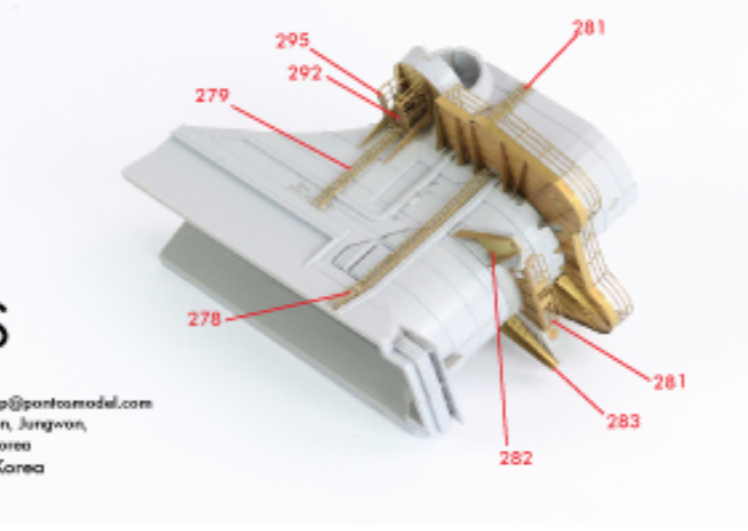
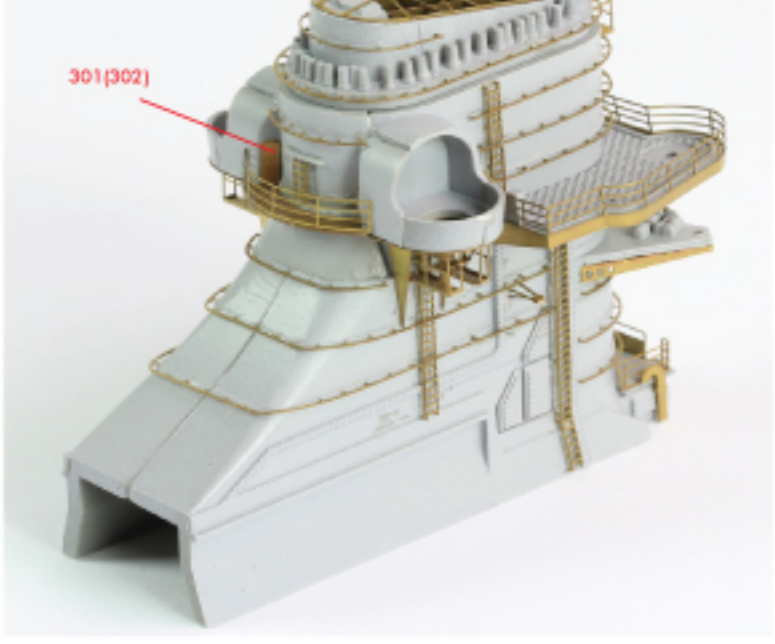
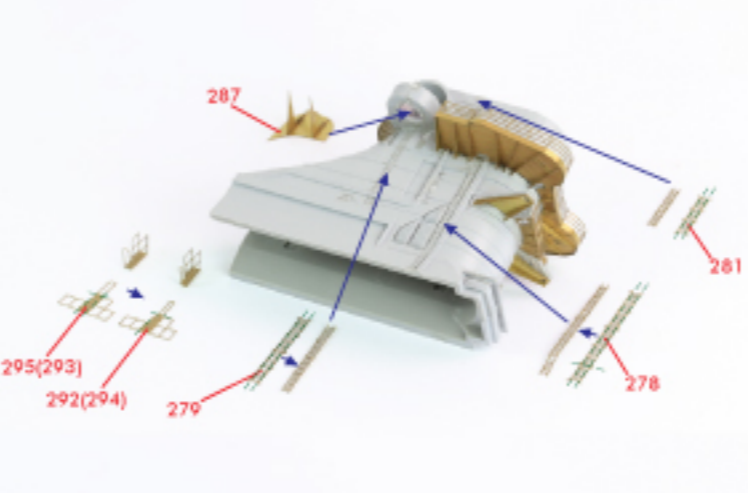
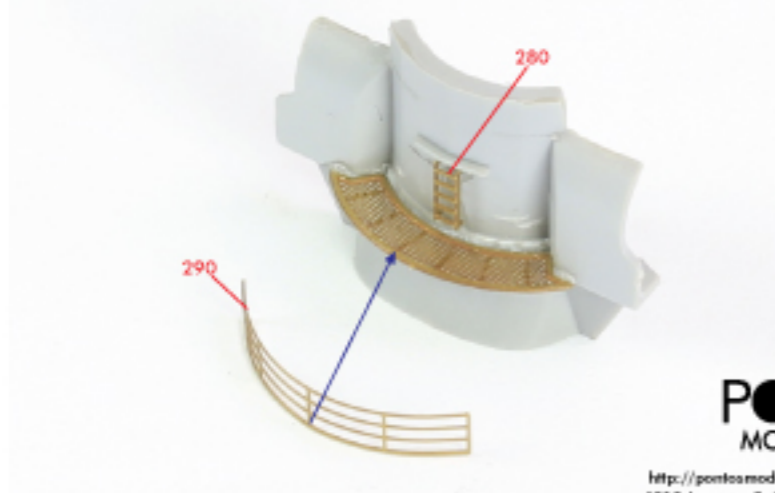
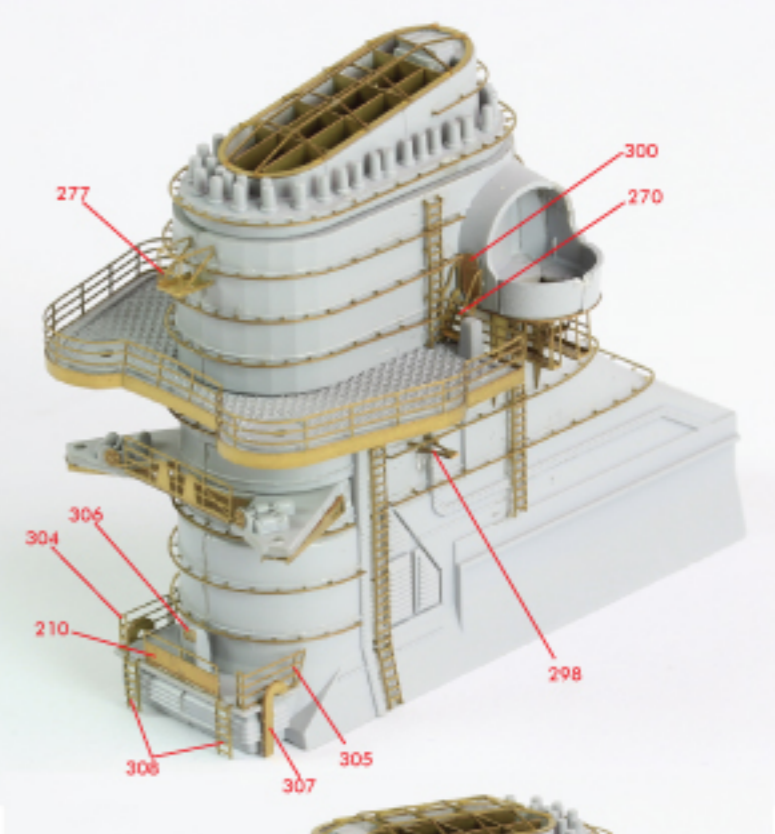
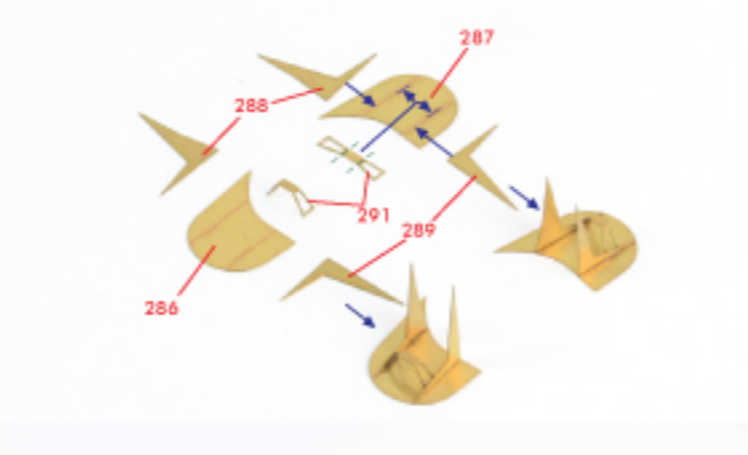
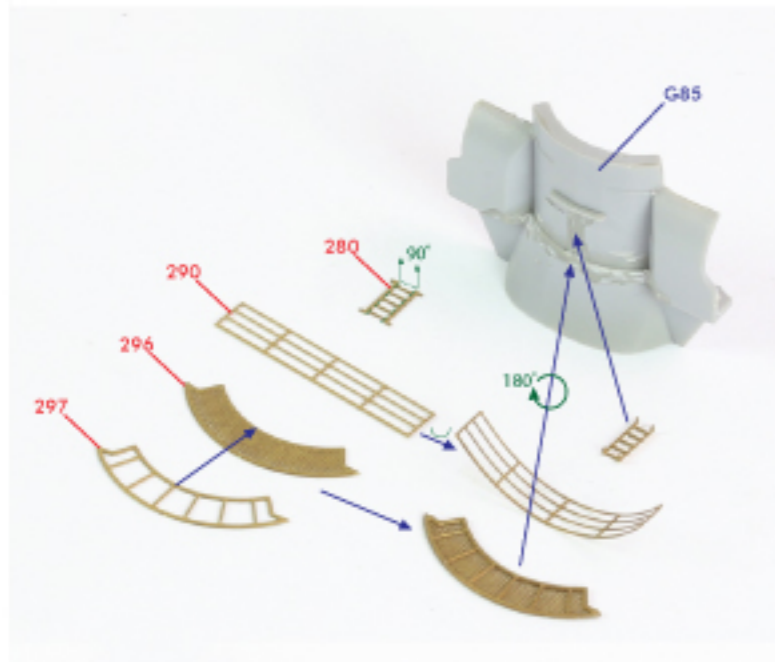
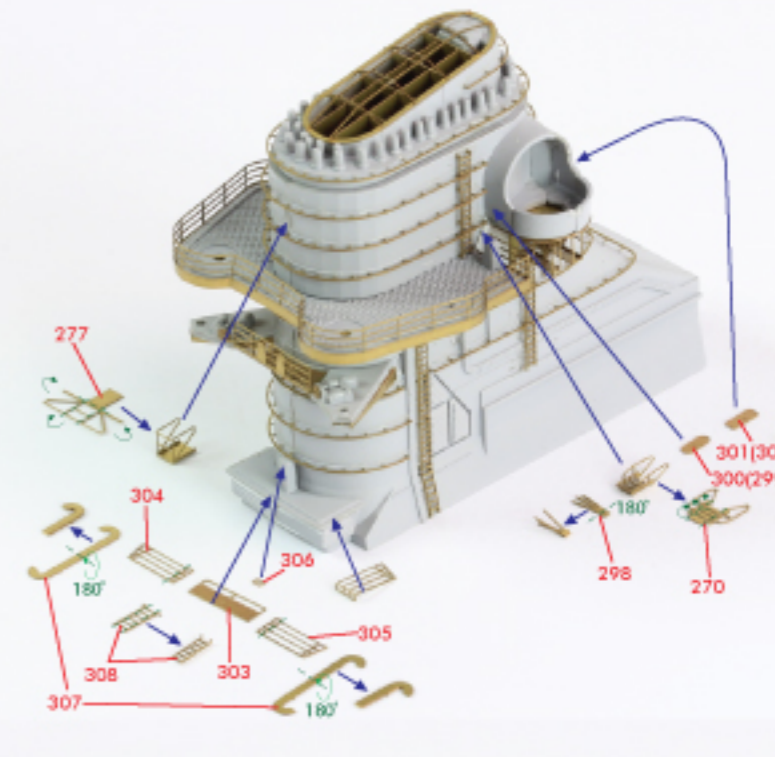
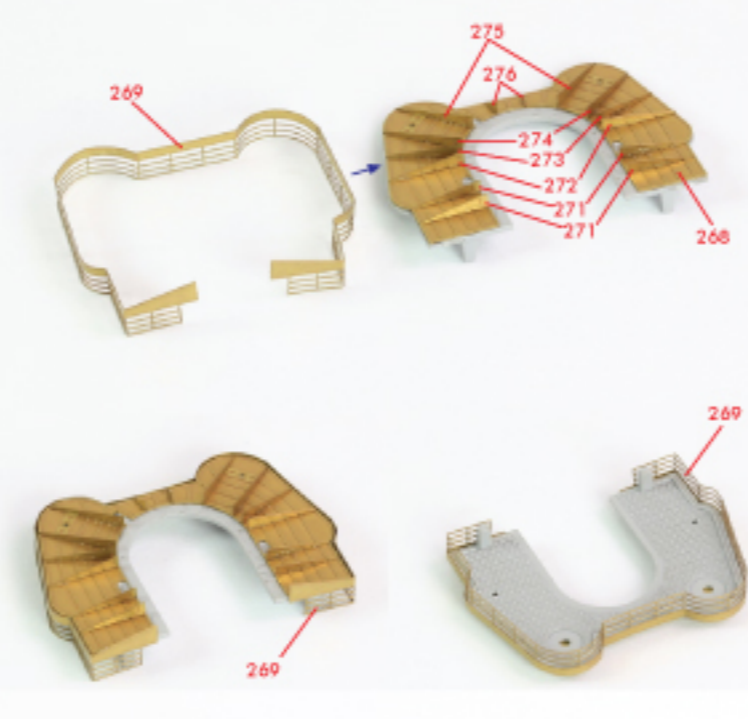
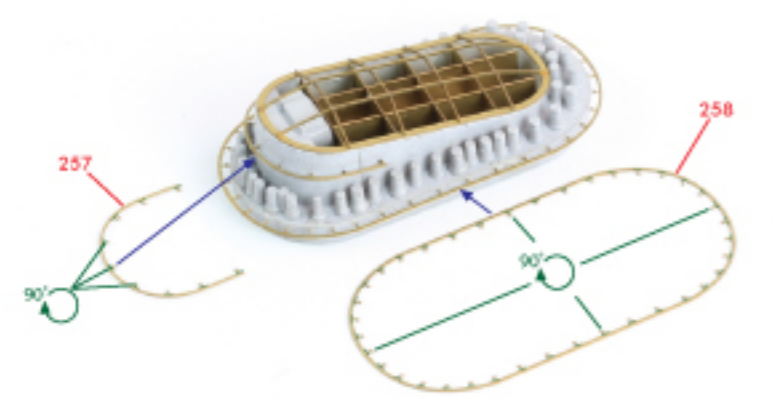
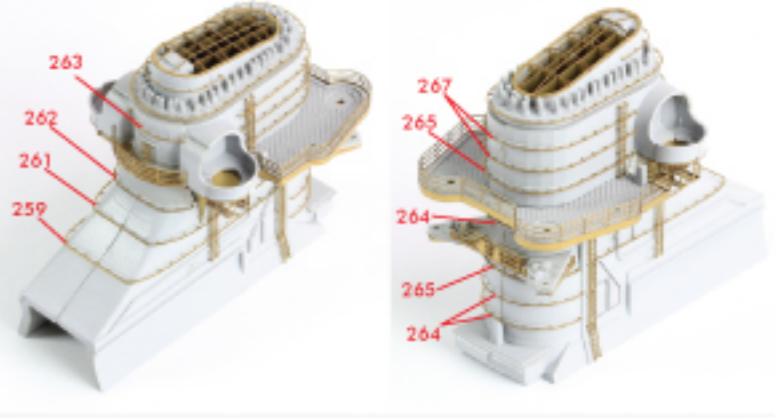
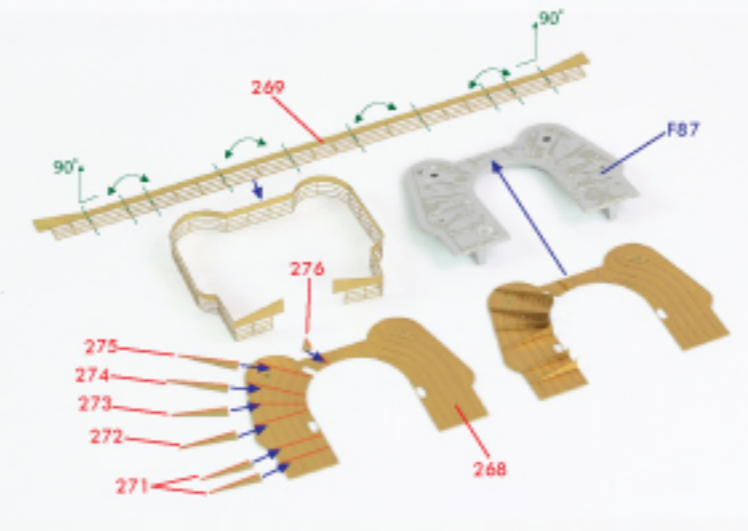
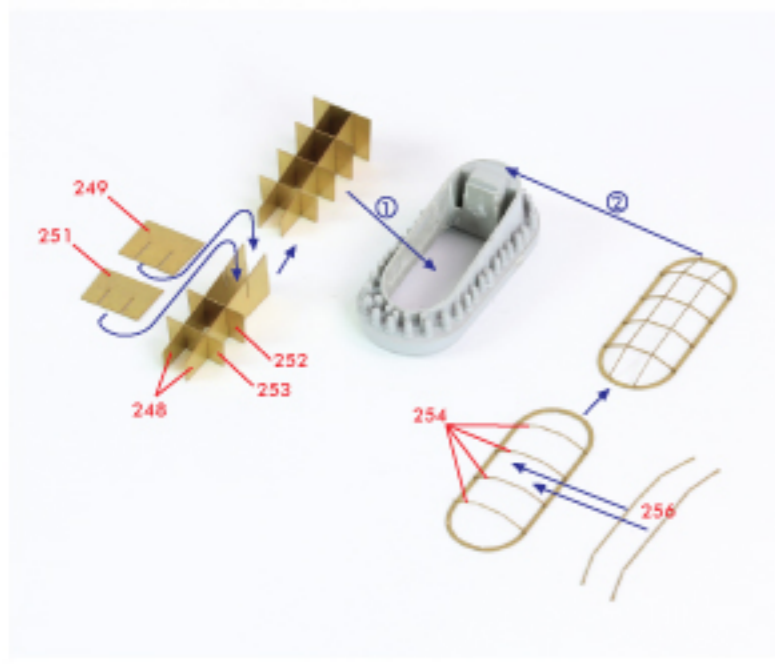
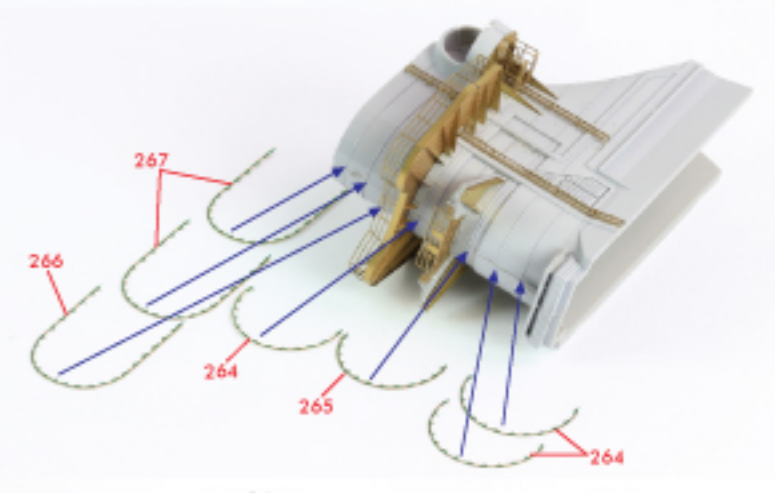
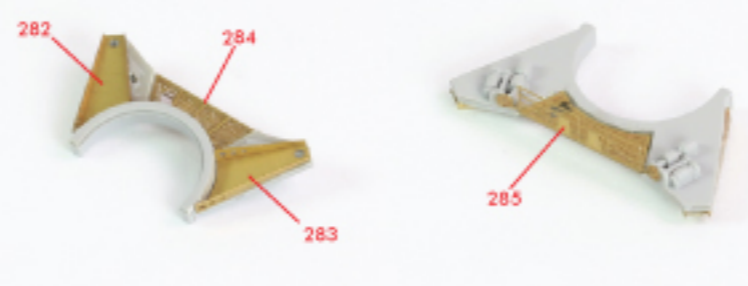
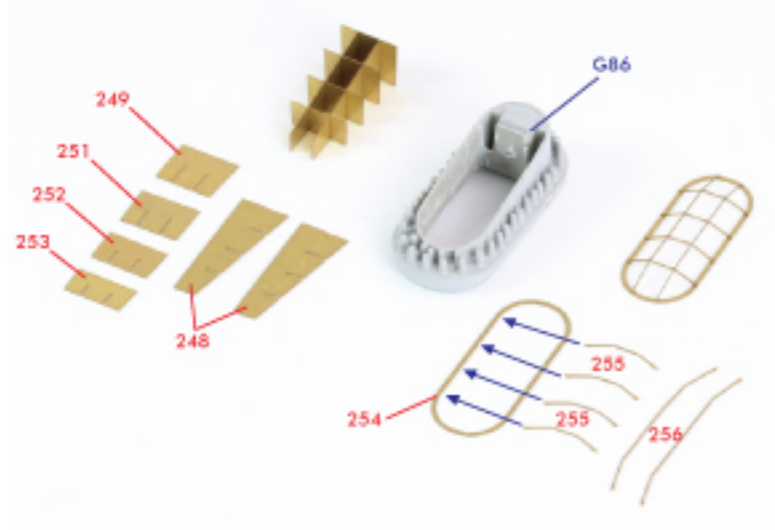
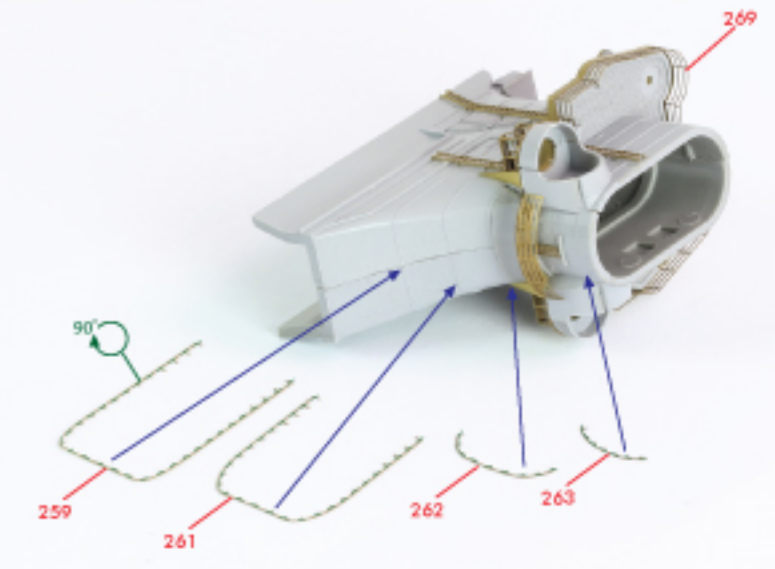
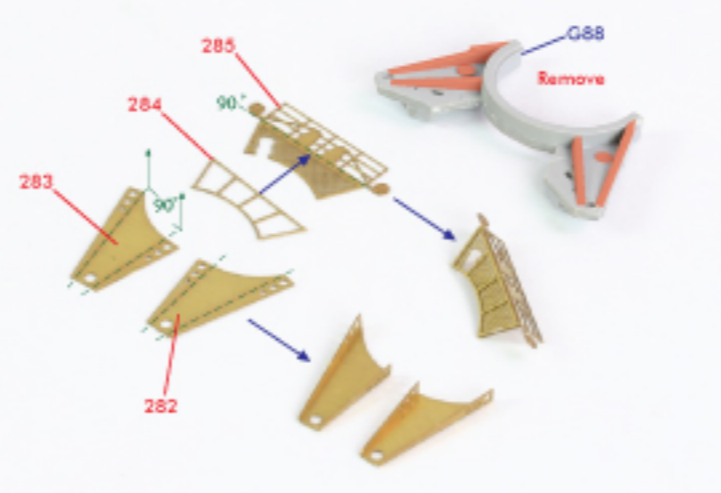
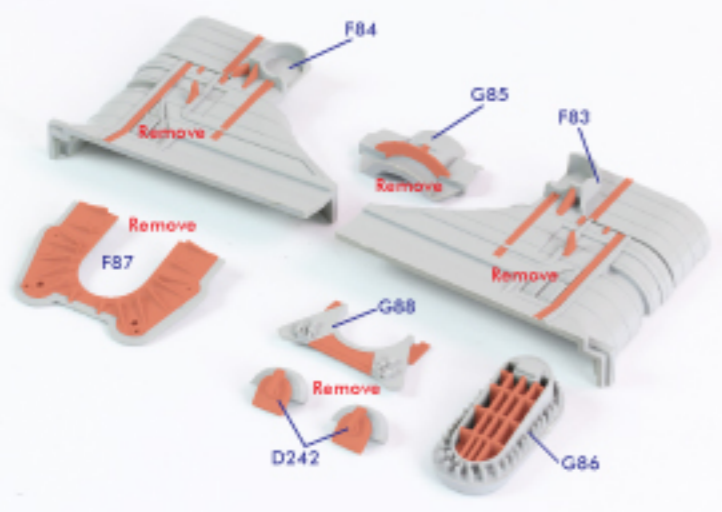


PONTOS
MODEL.COM

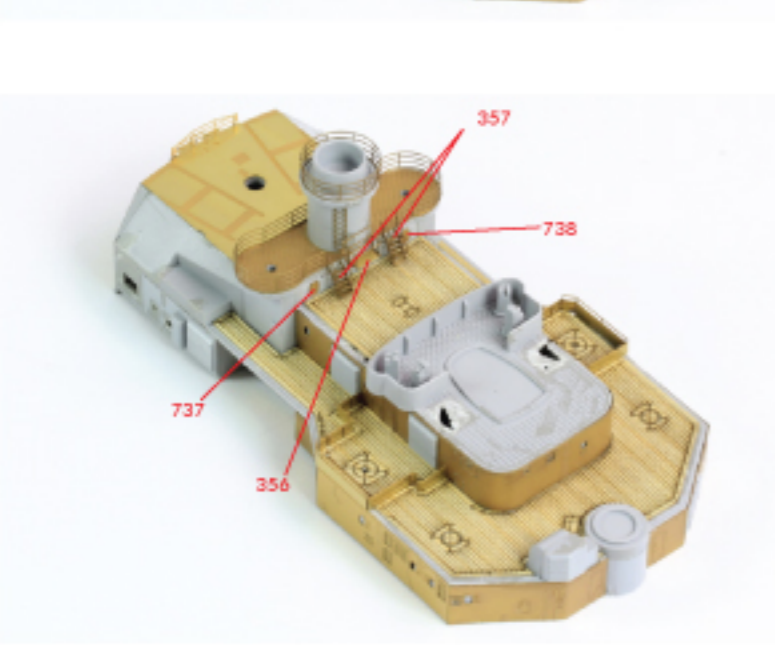
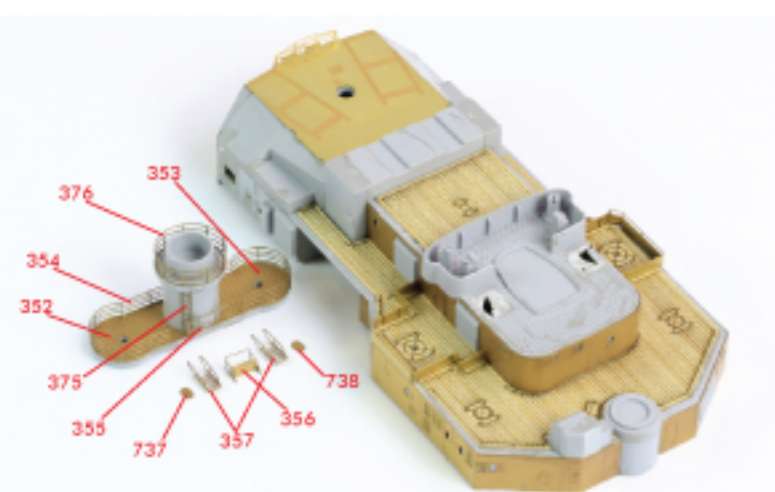
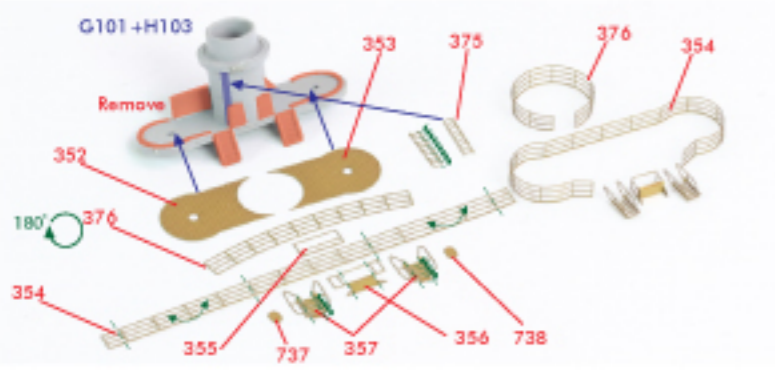
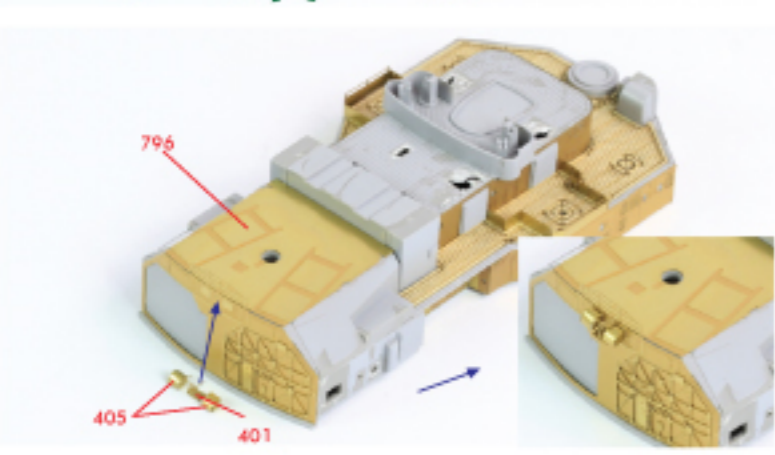
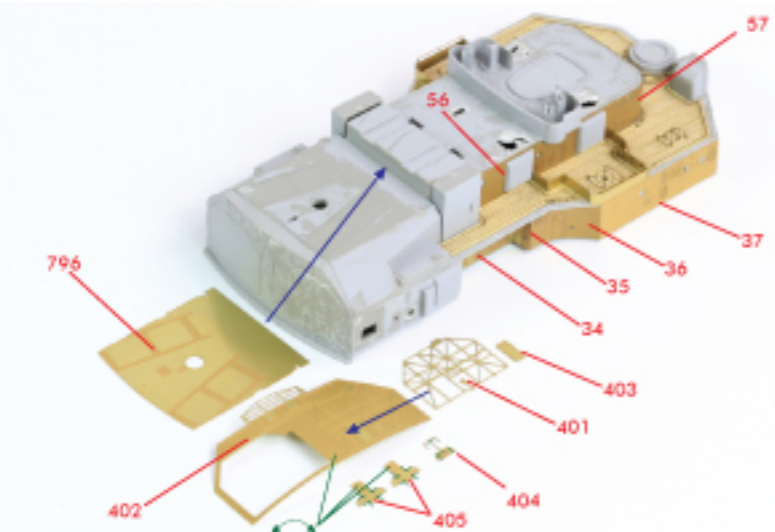
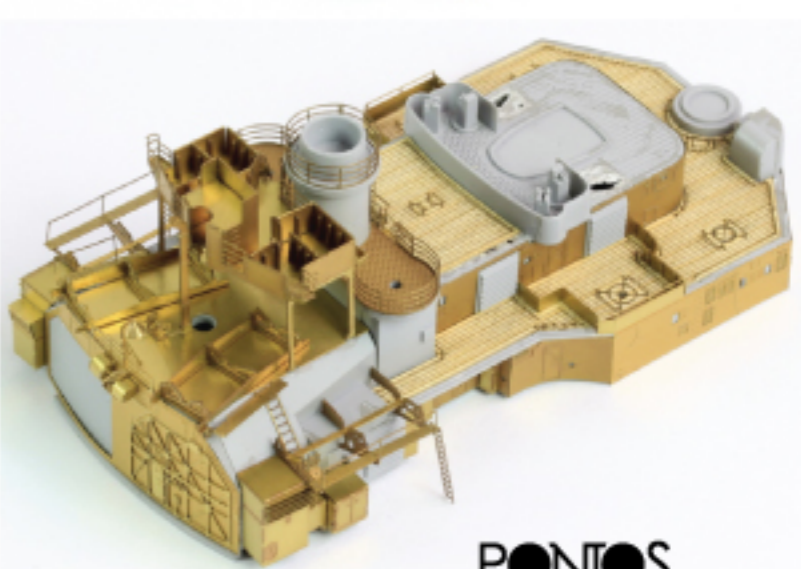
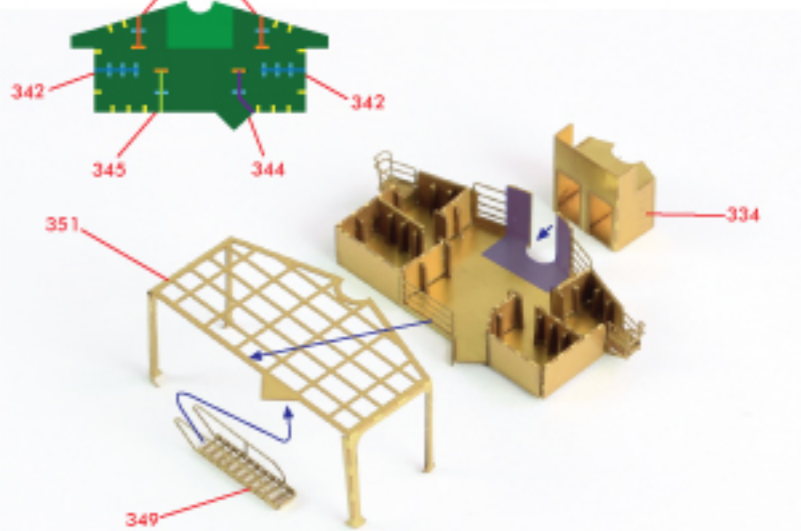
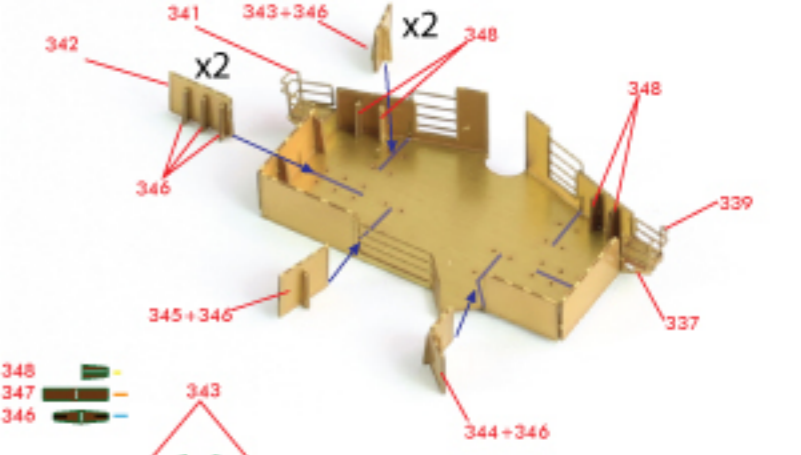
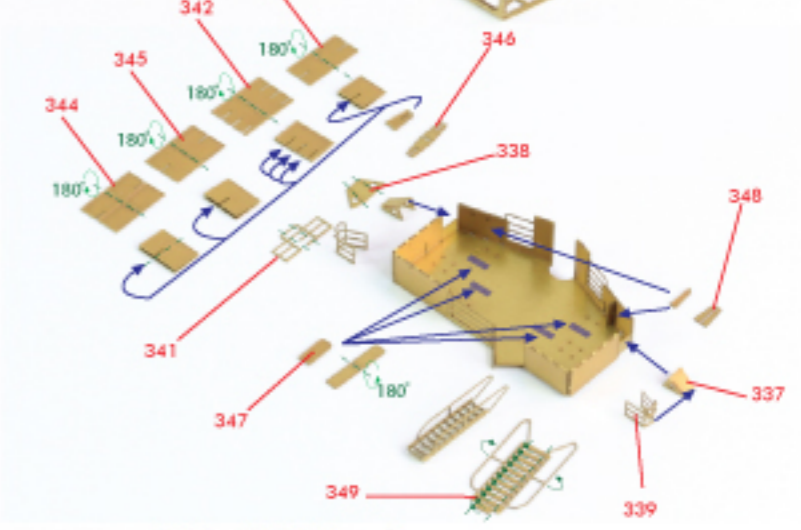
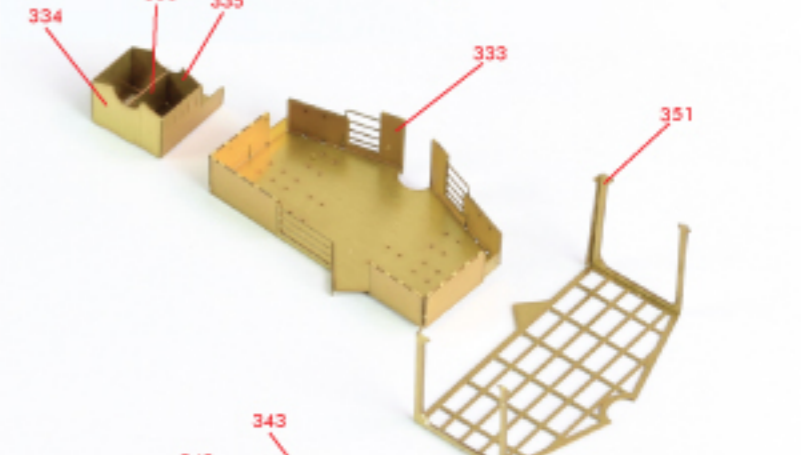
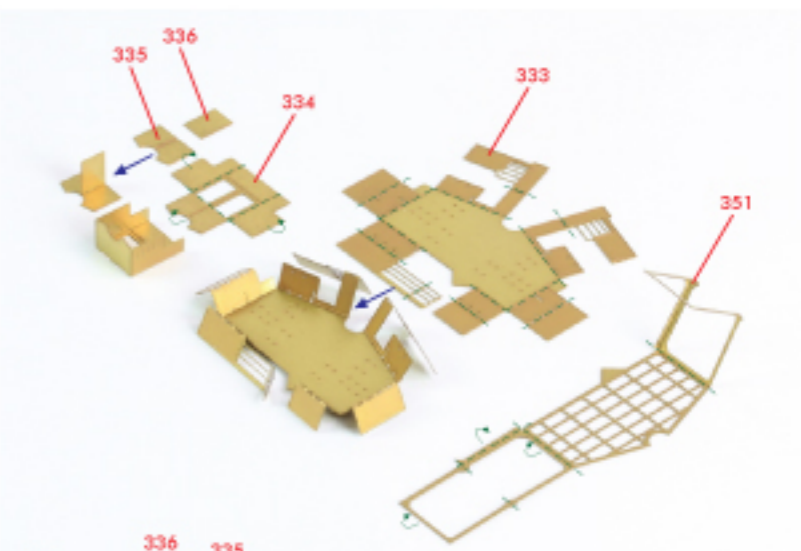
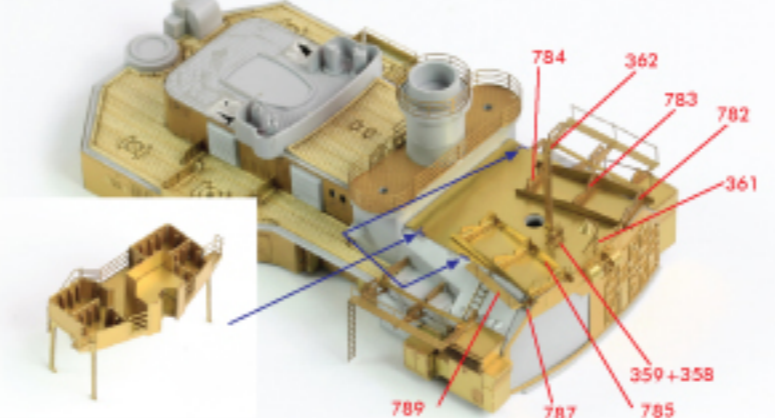
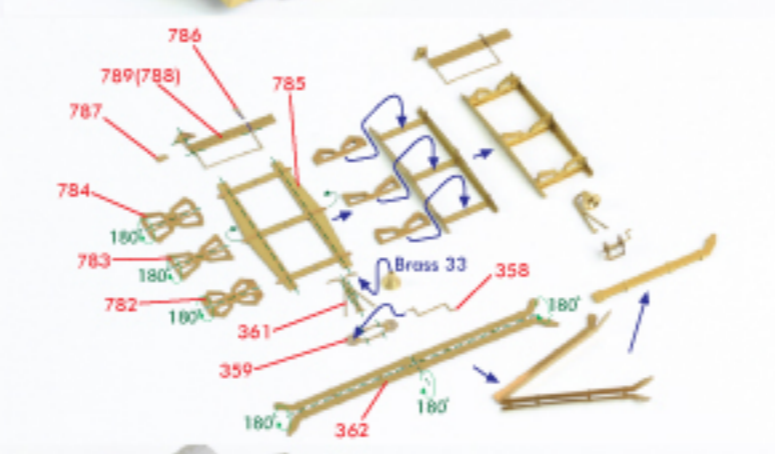
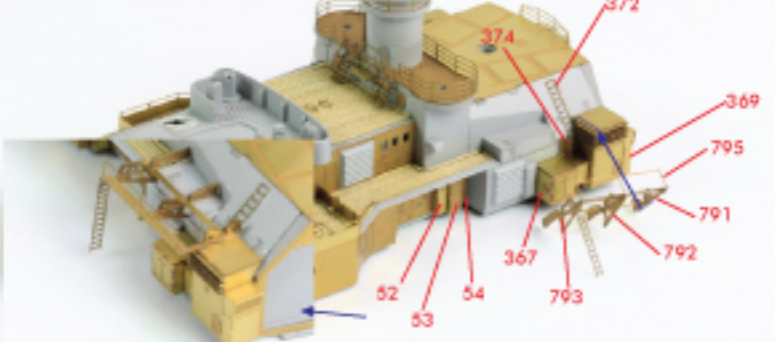
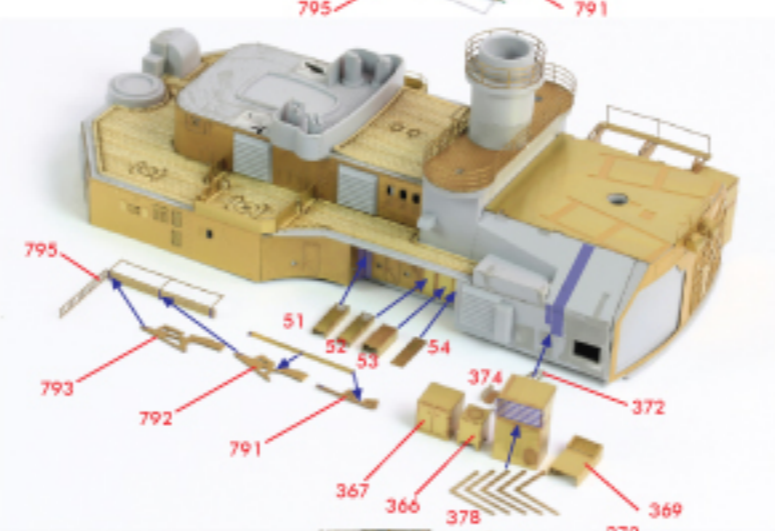
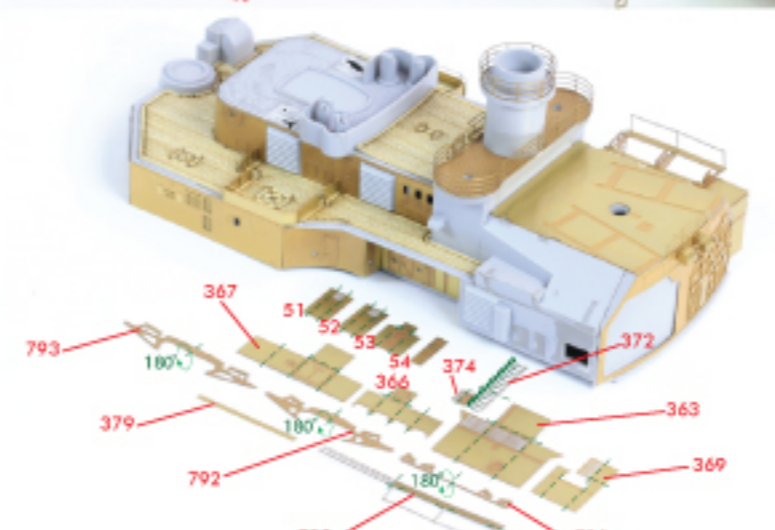
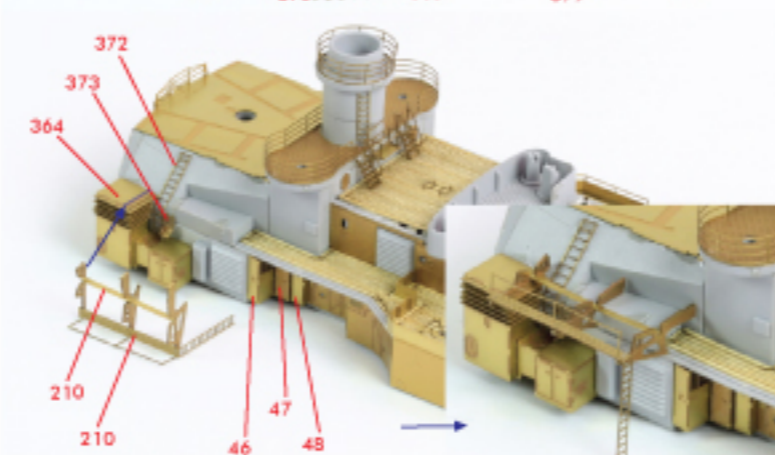
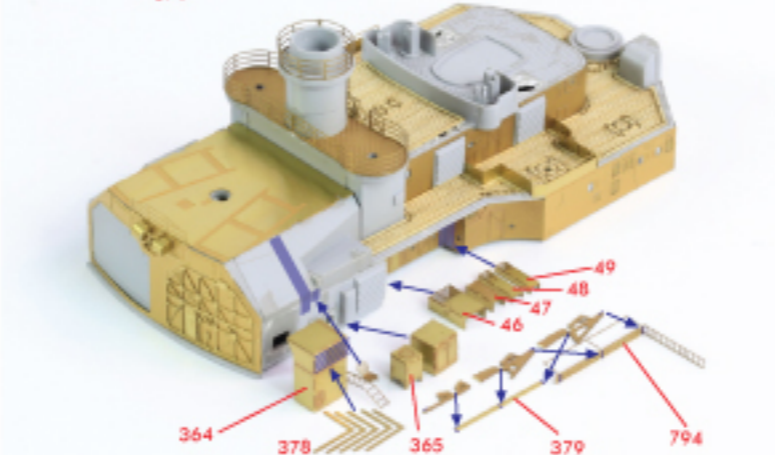
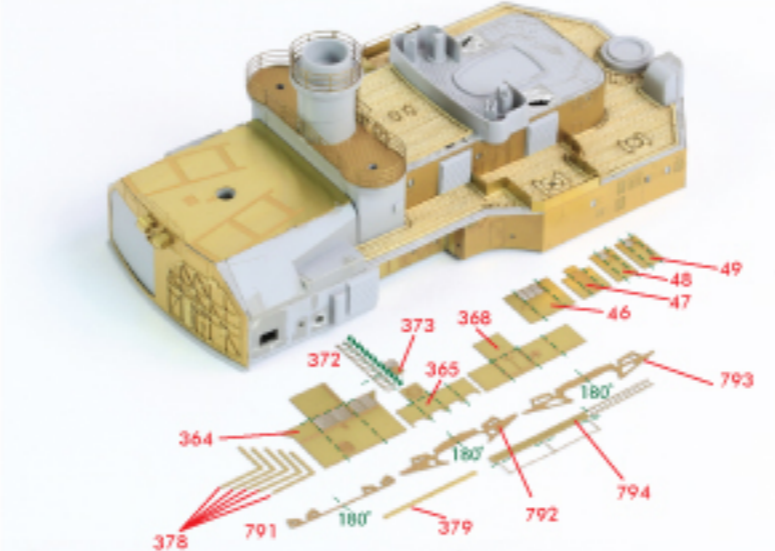
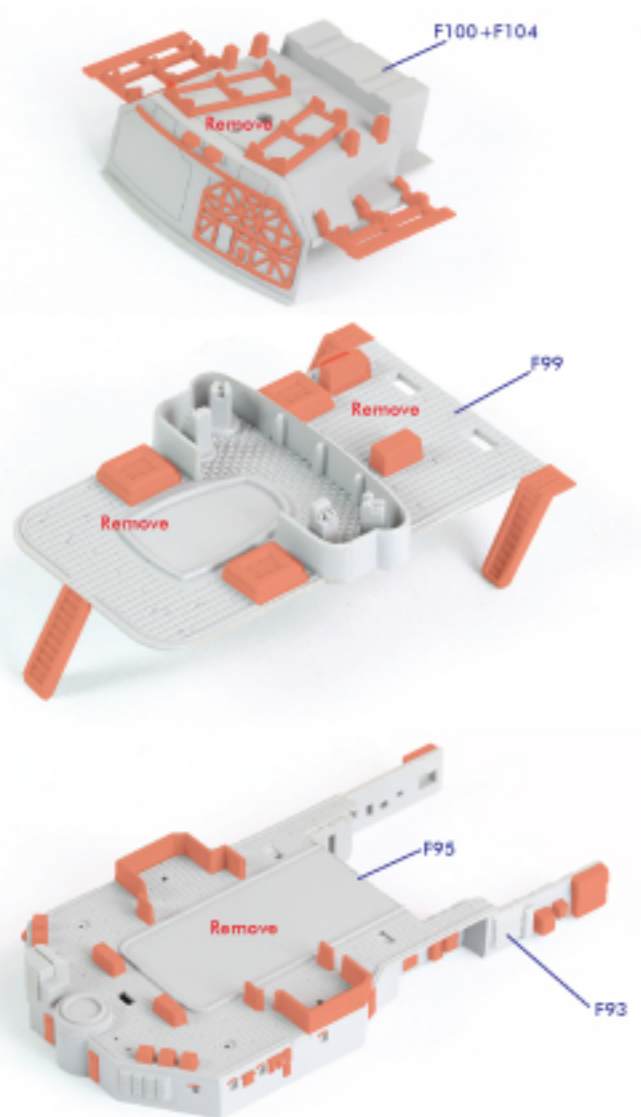
http://pontosmodel.com Email: help@pontosmodel.com
#910 Jungang 2, 144-5 Sangdaewon, Jungwon,
Seongnam, Gyeonggi-do 462-120 Korea
Hobbyway, INC Printed in Korea



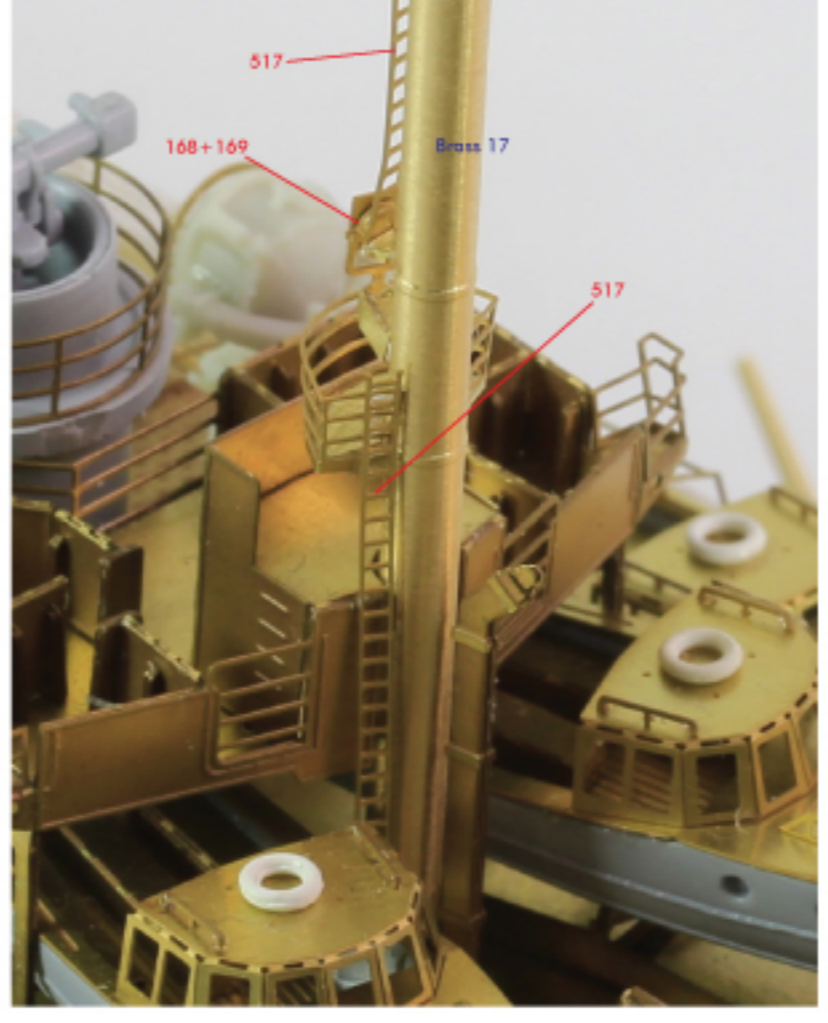
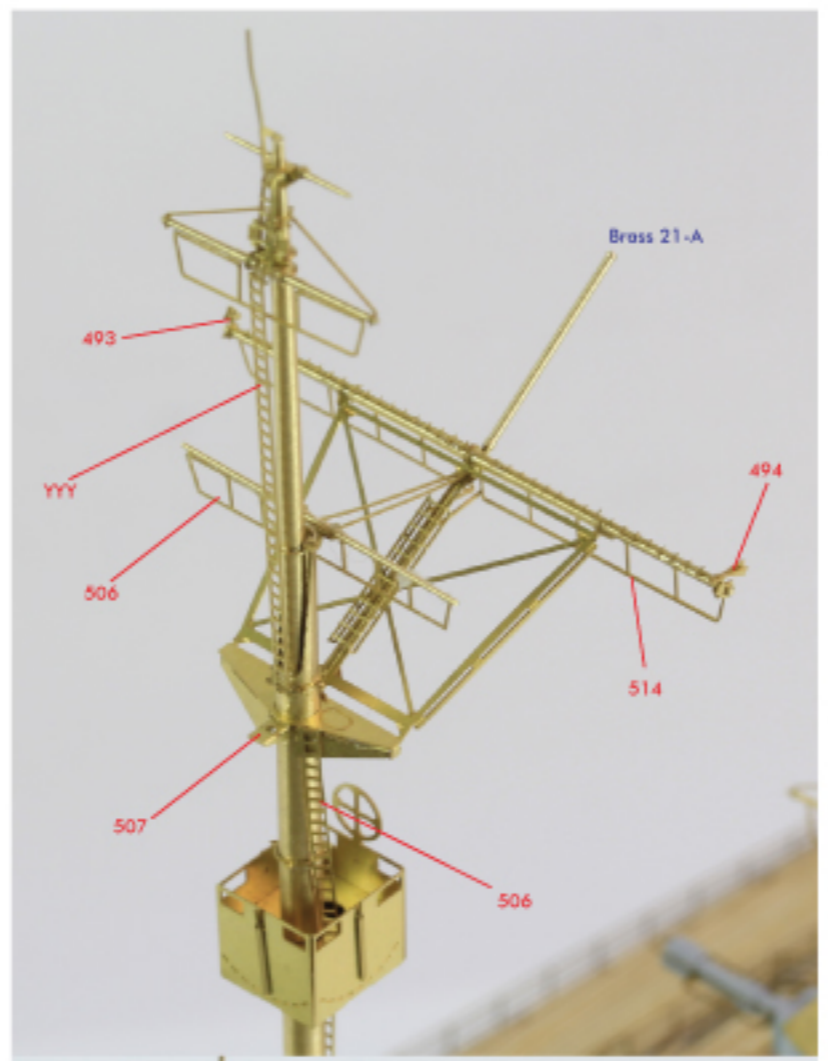
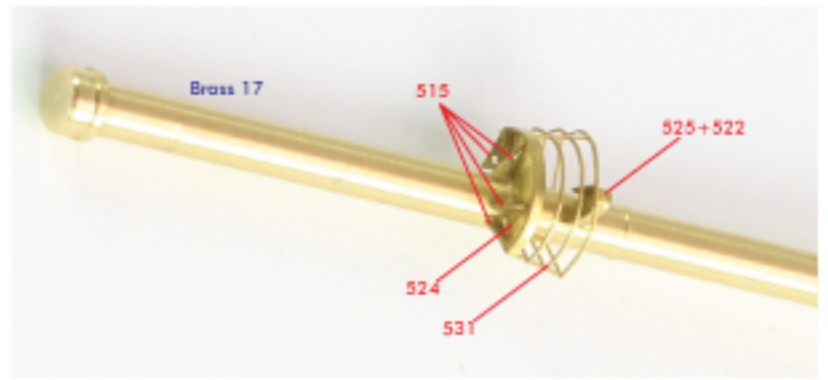
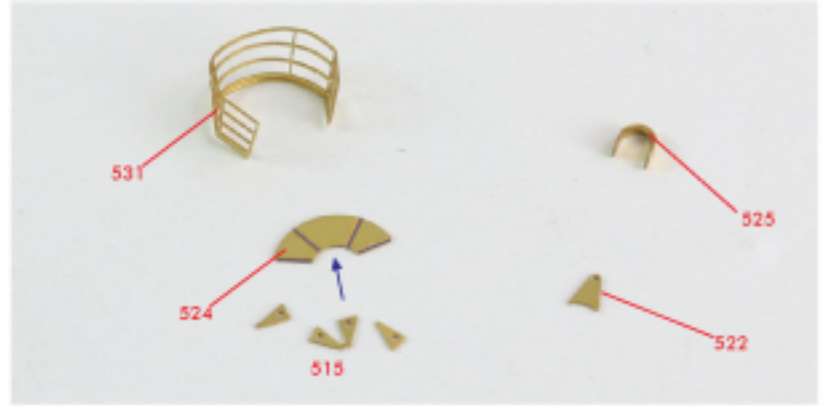
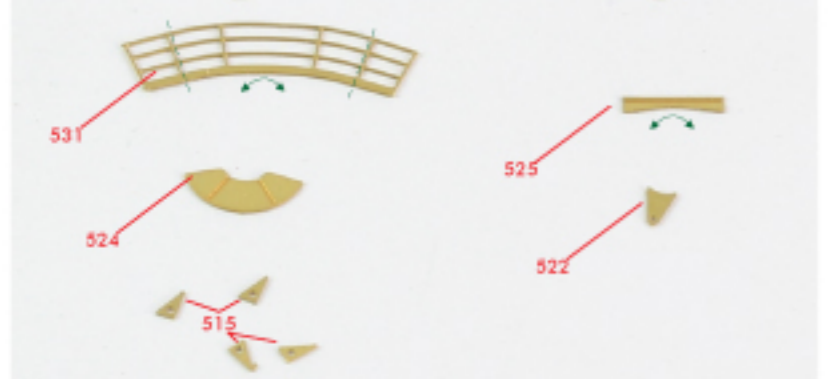
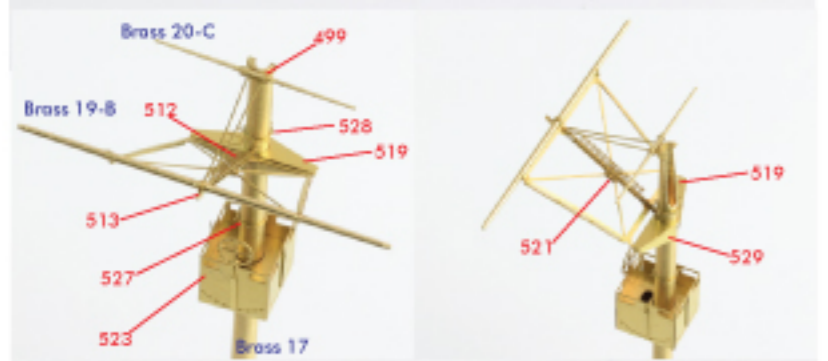
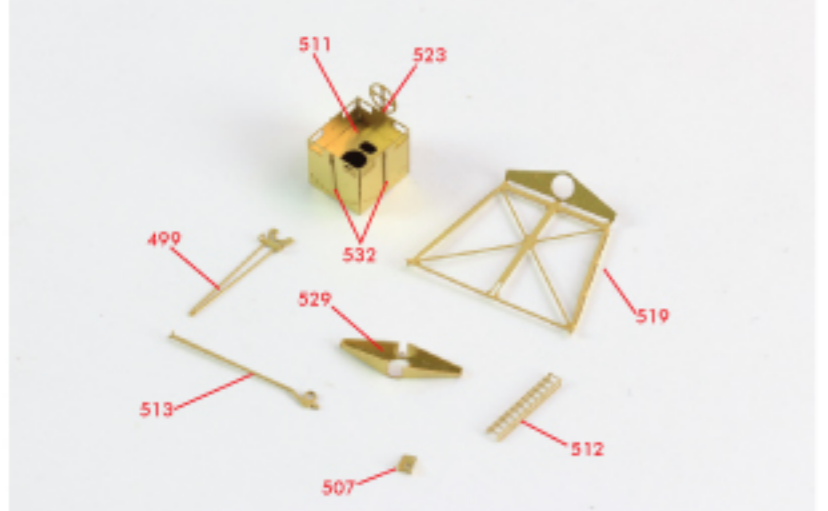
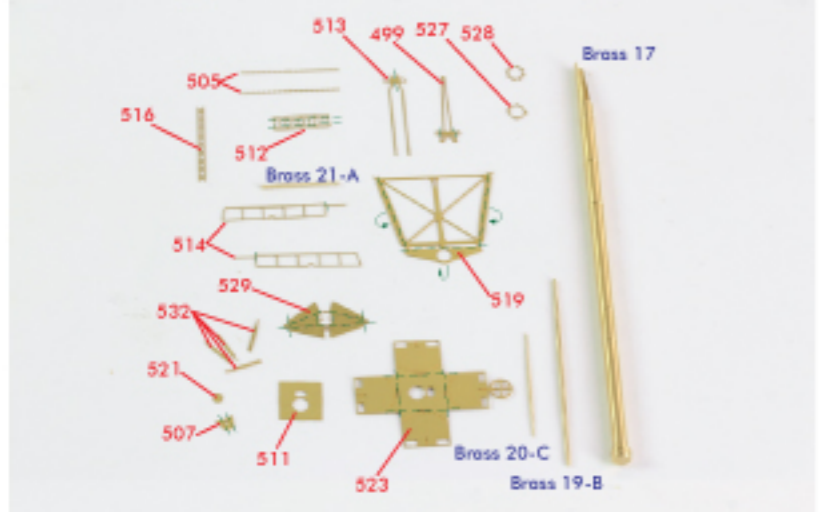
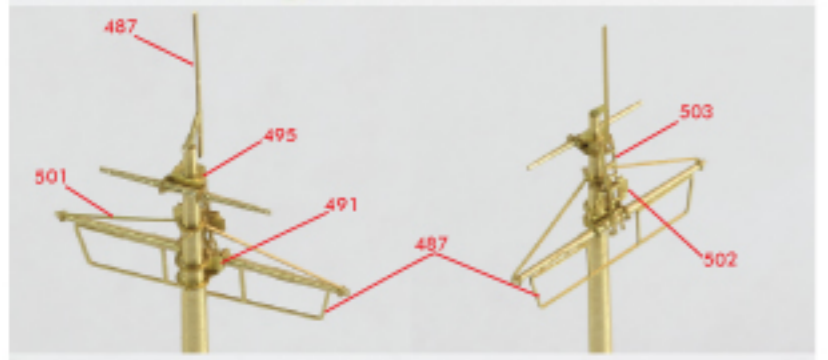
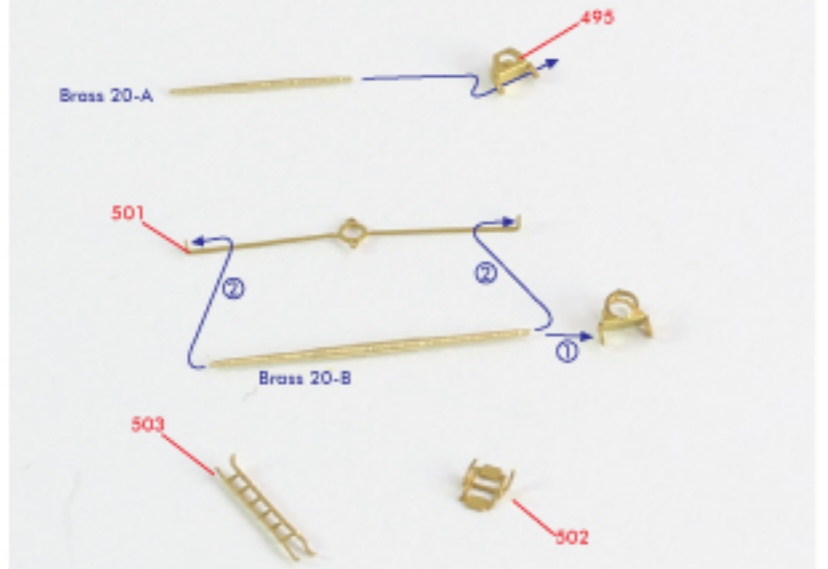
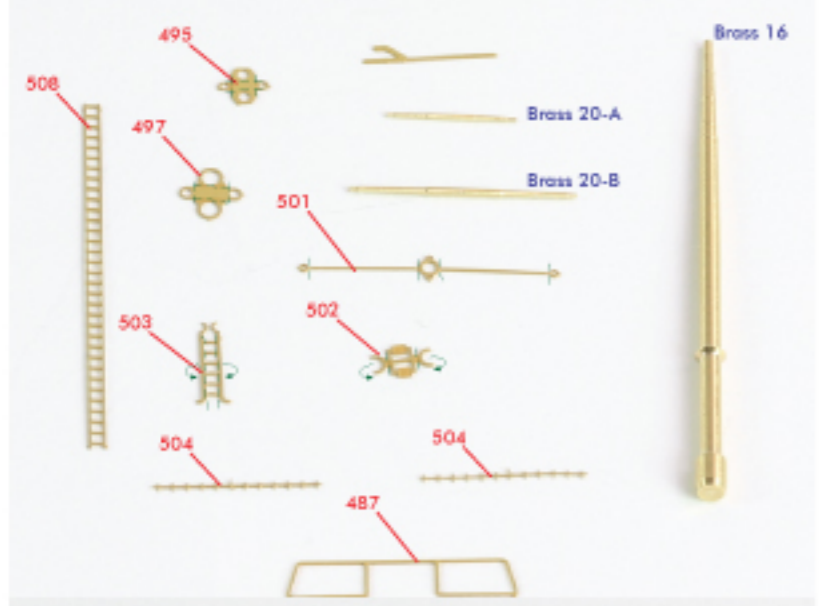
<Funnel>



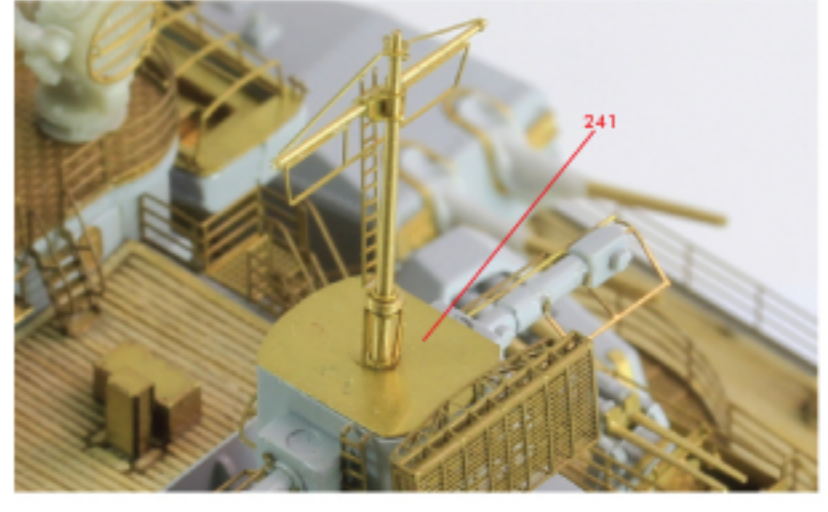
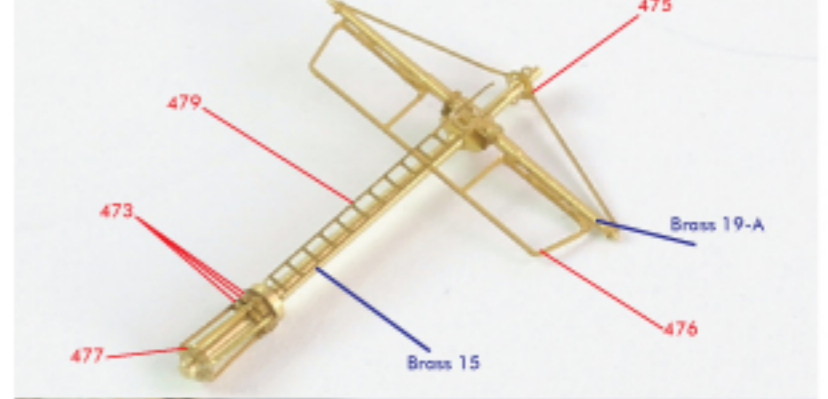
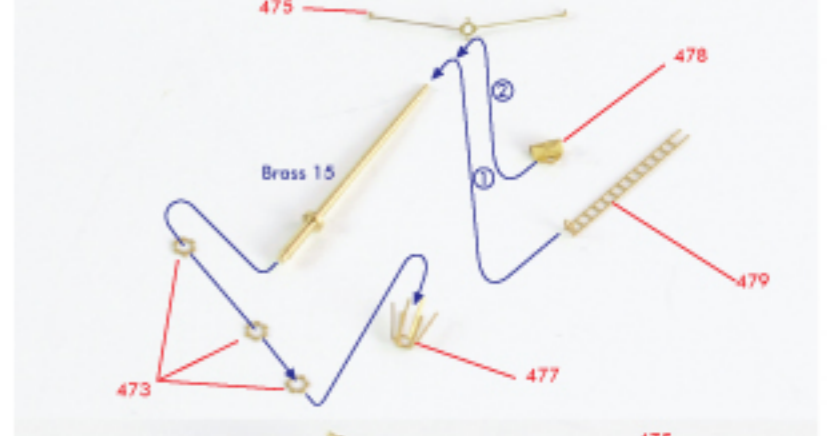
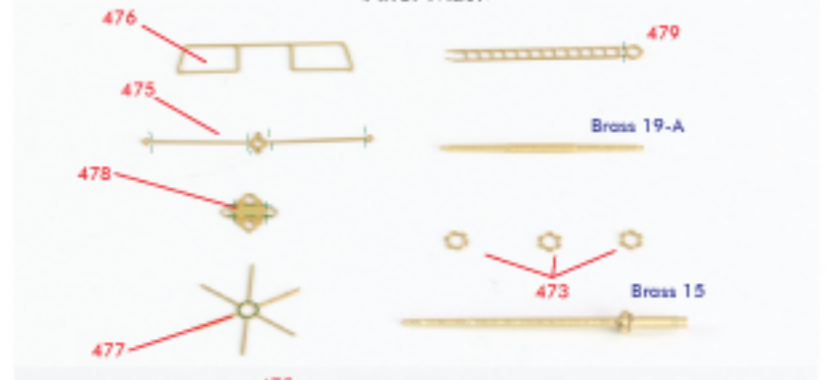
<After Bridge>



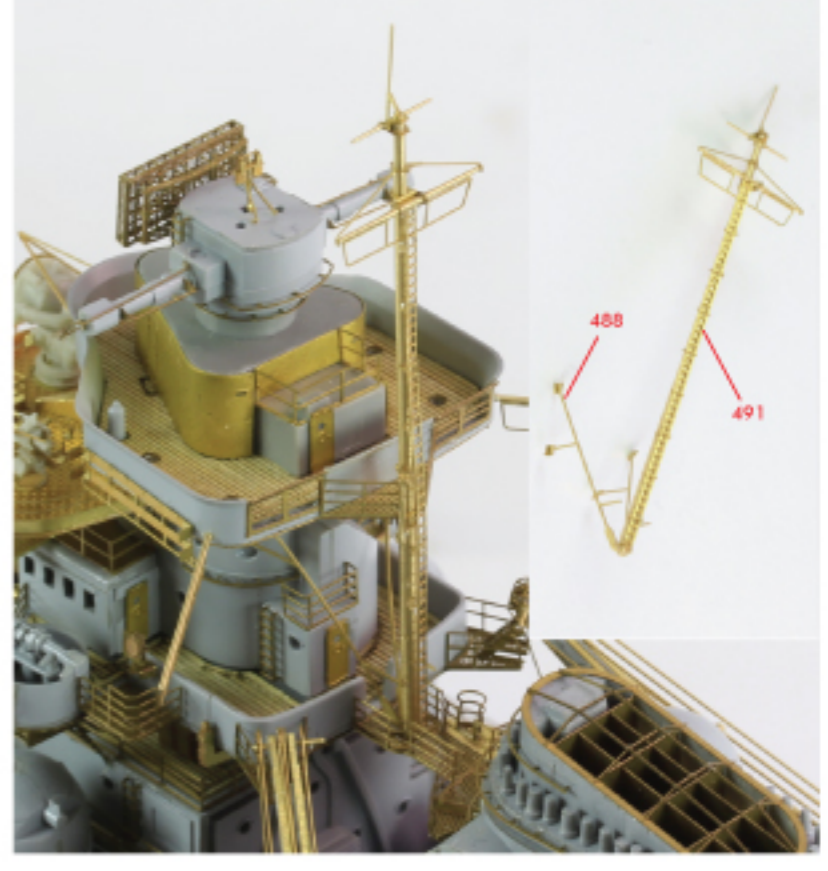
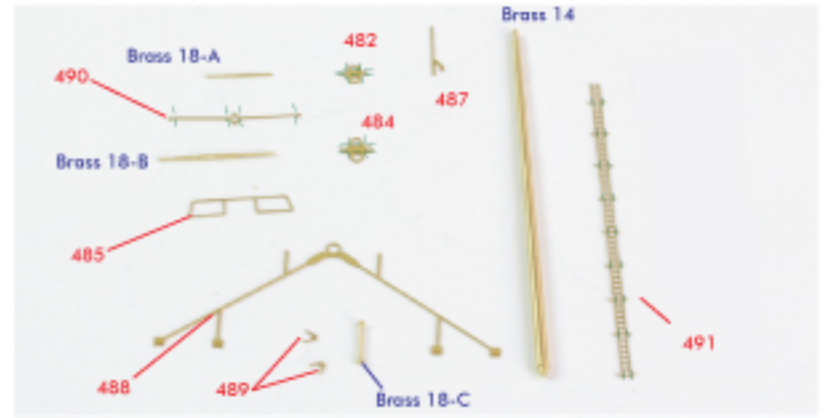
<Main Mast>



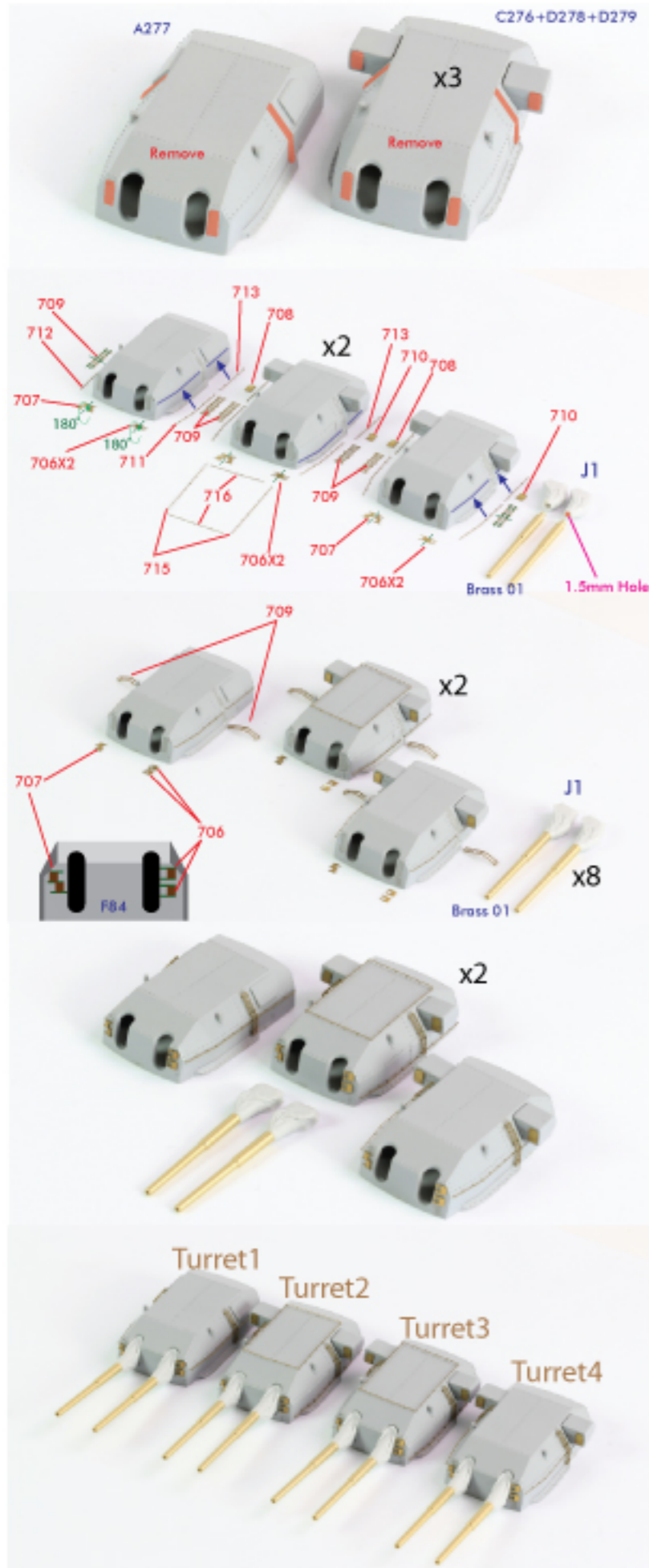
<After Mast>



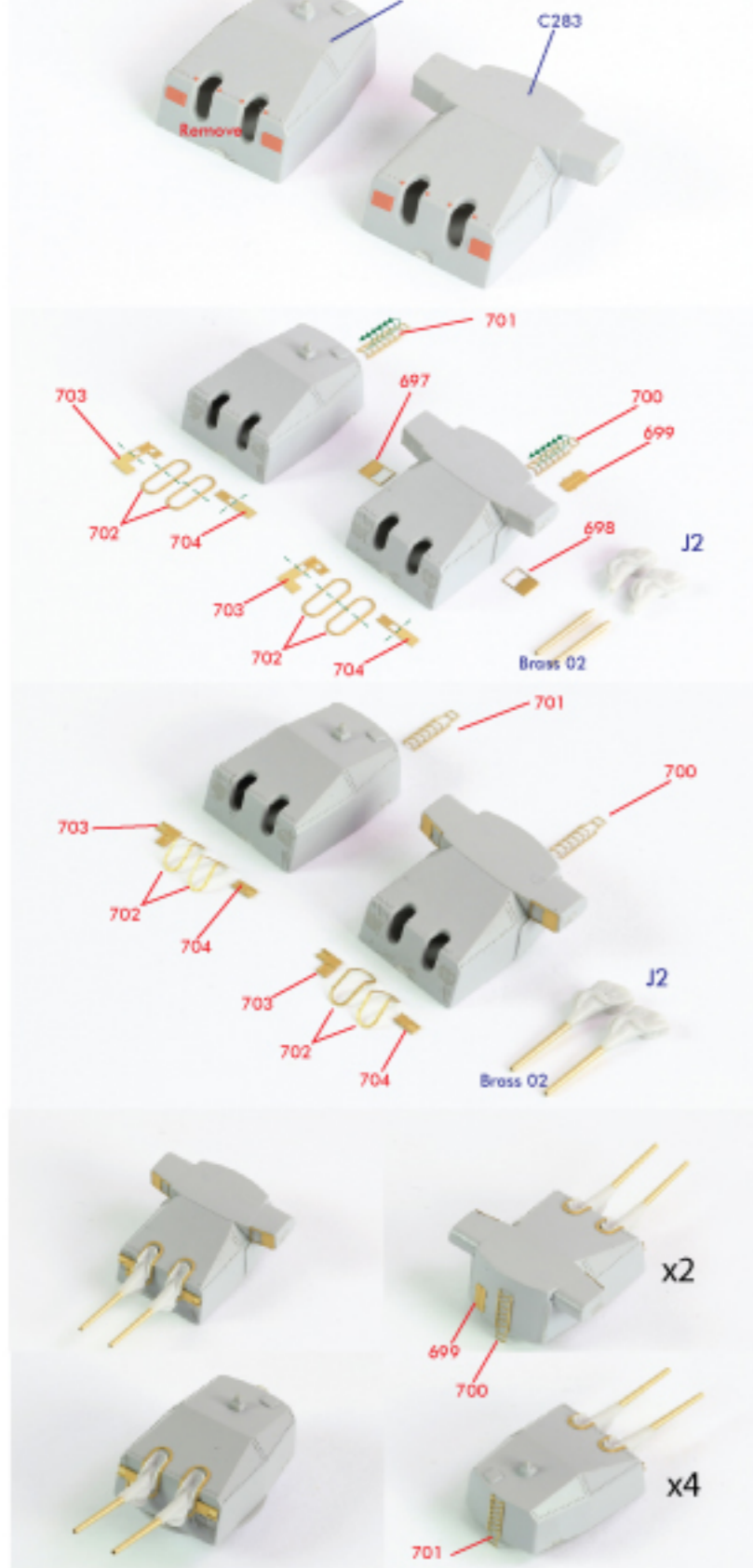
<Fore Mast>



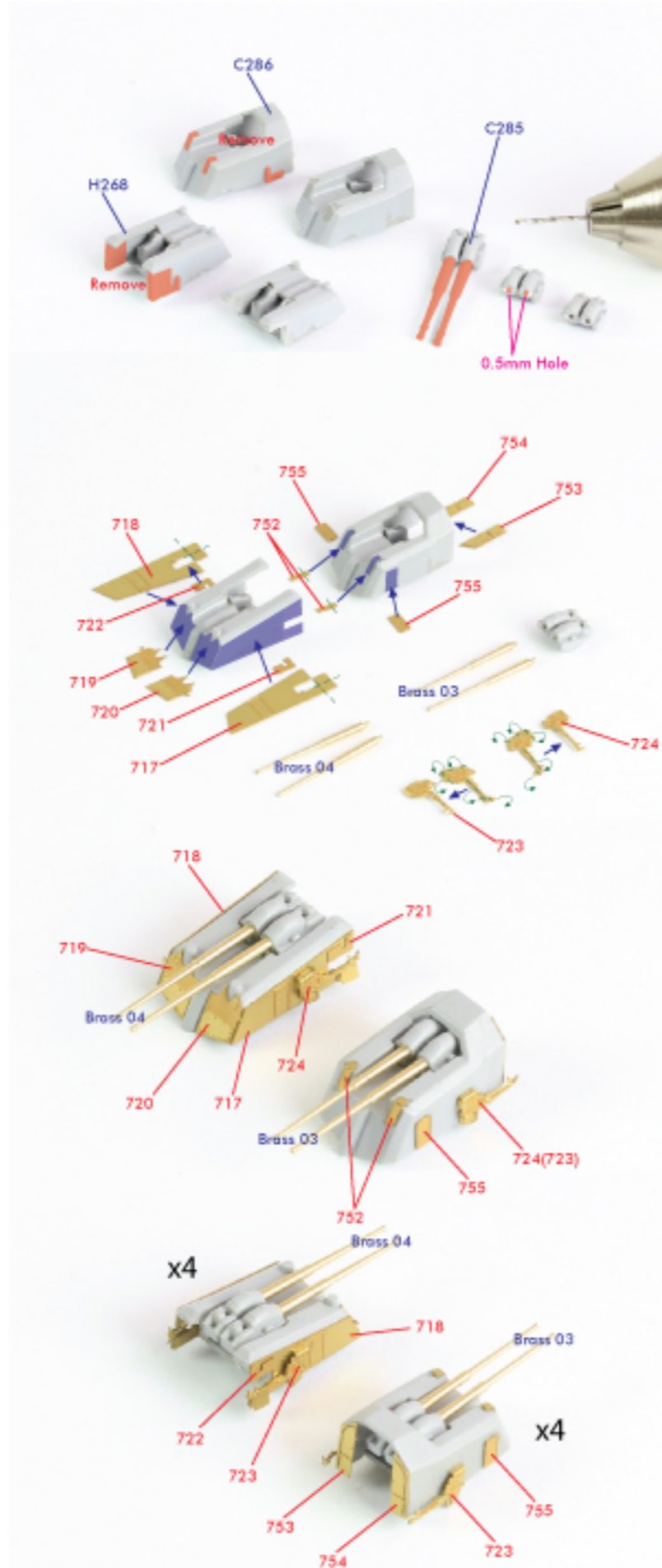
<380mm Main Gun>



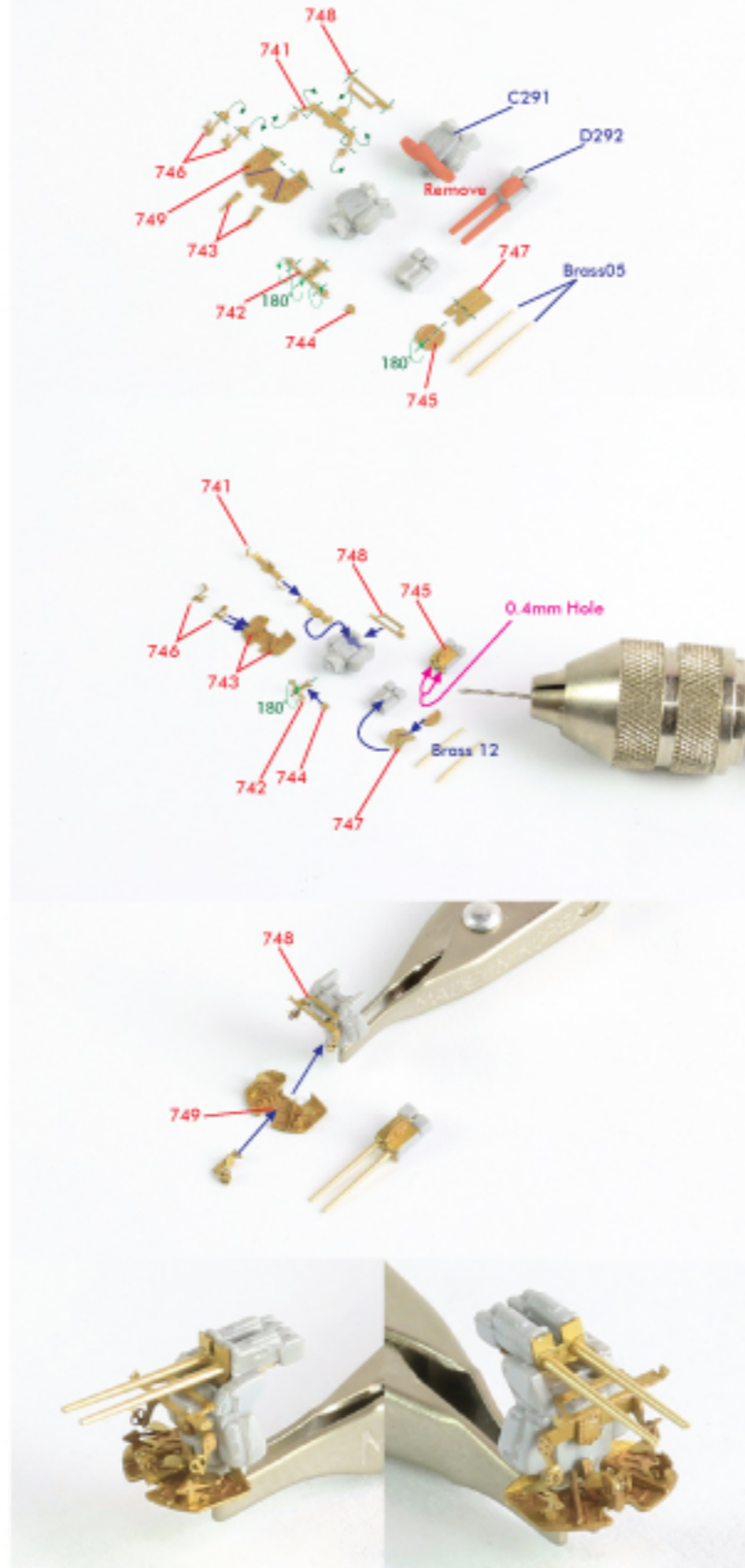
<150mm Sub Gun>



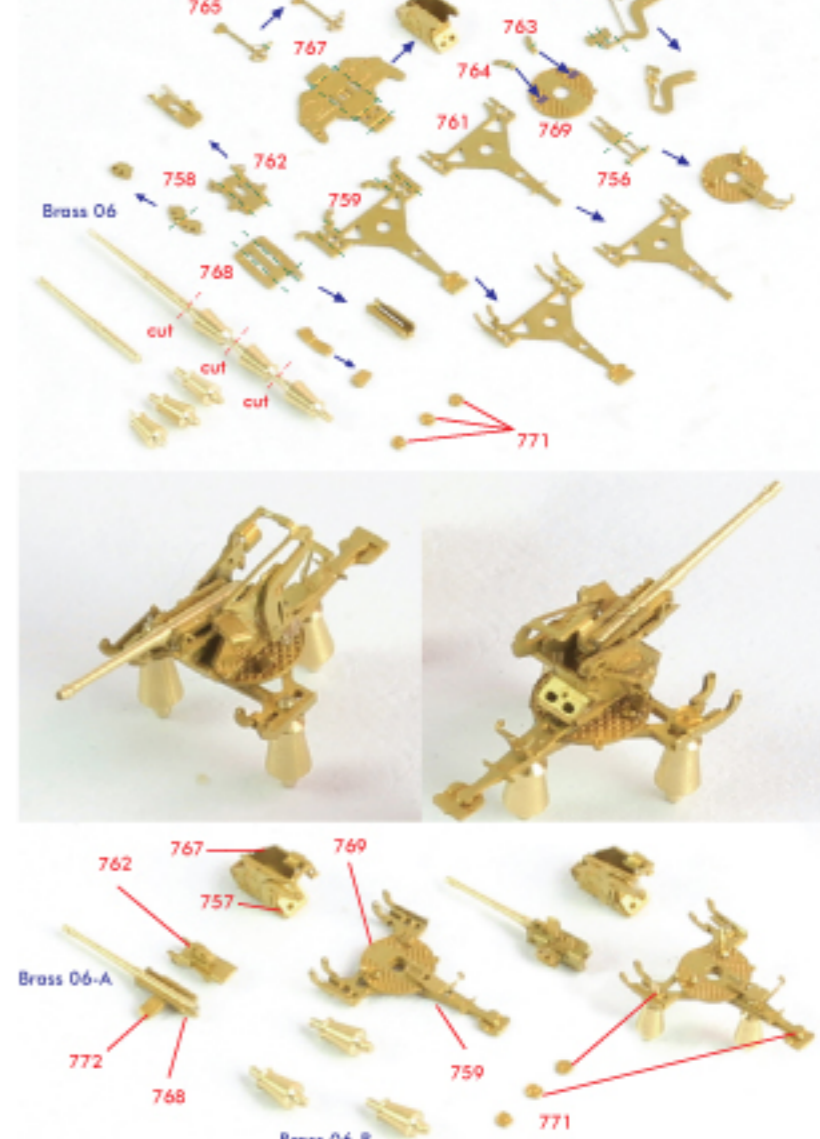
<105mm Gun>



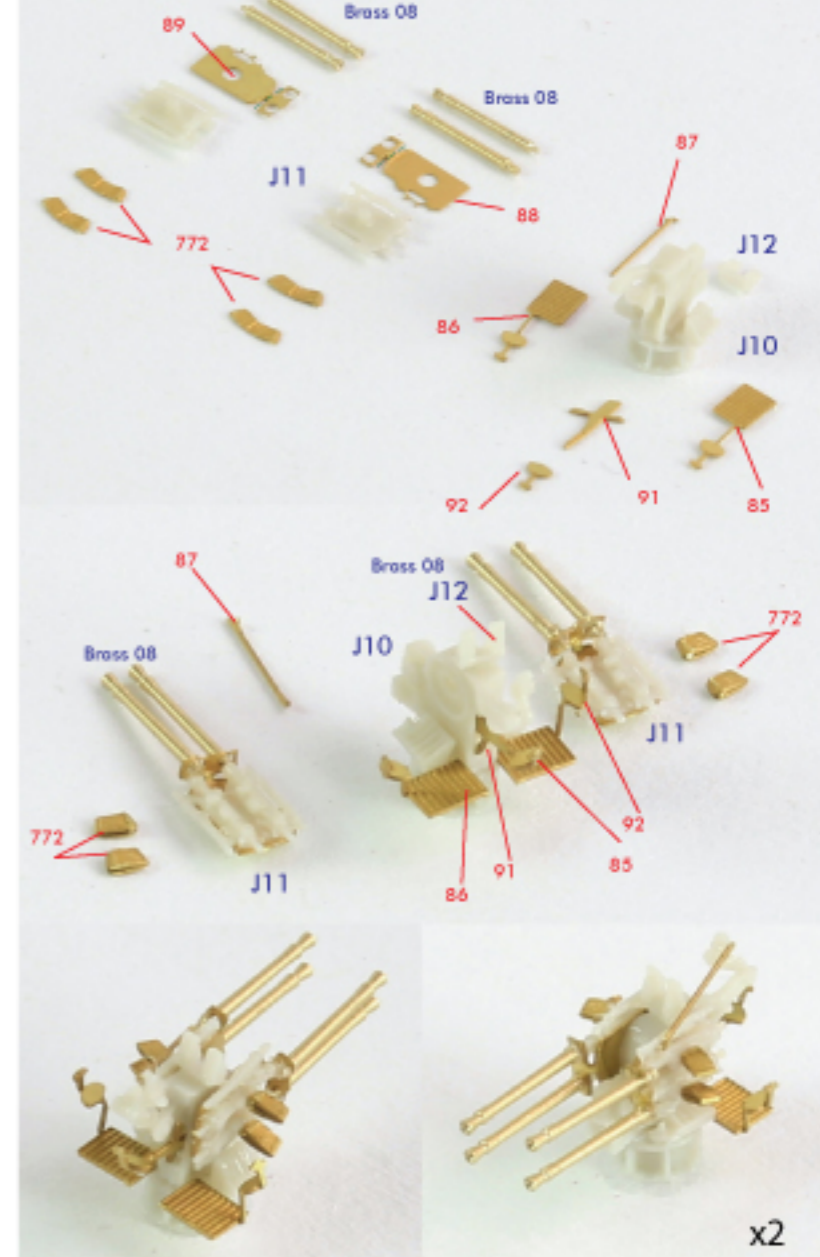
<37mm Gun>



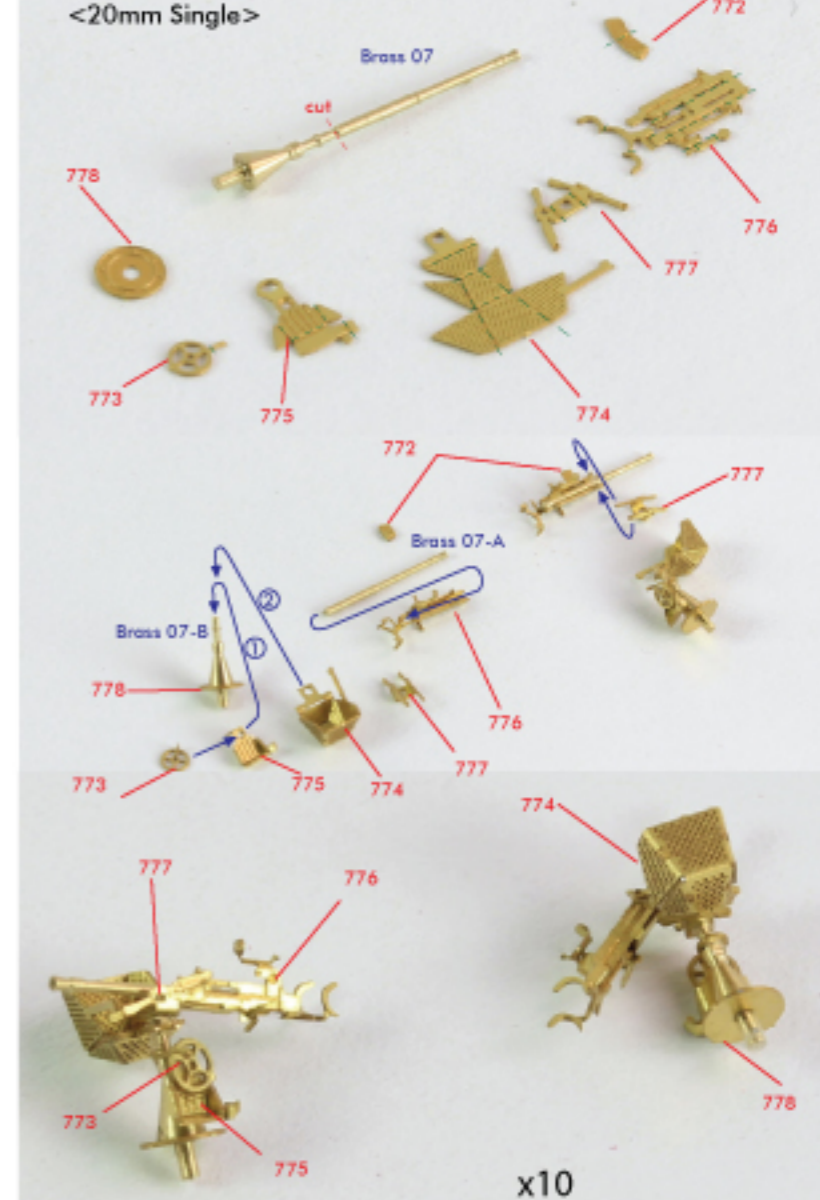
<20mm Flak30 Gun>

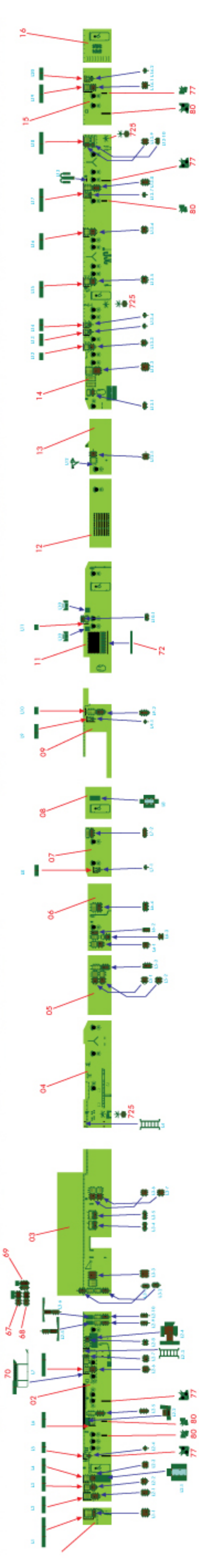
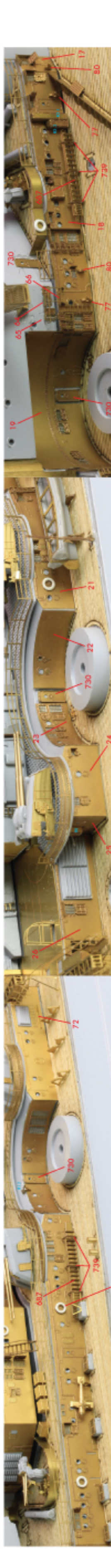
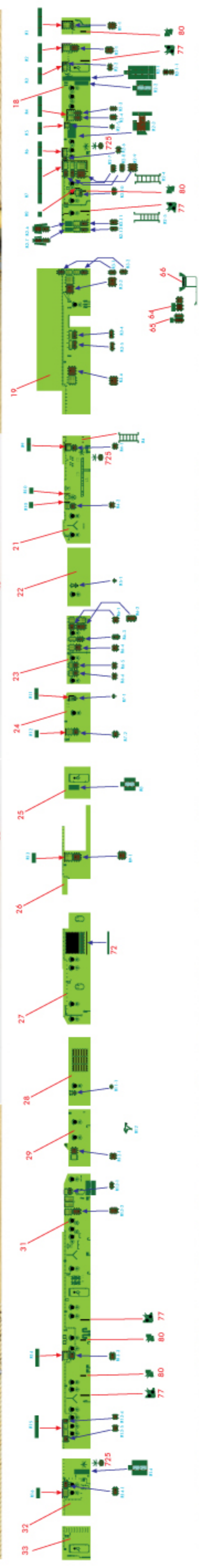
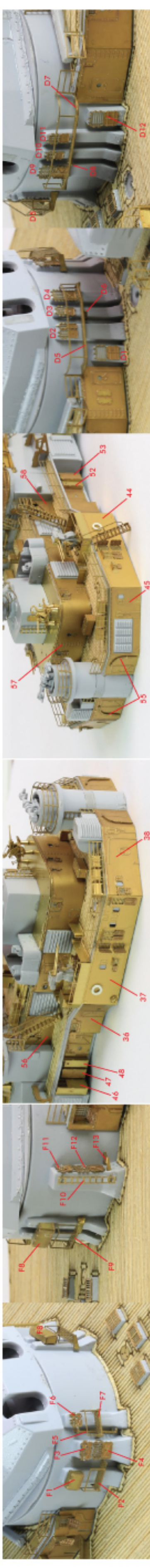
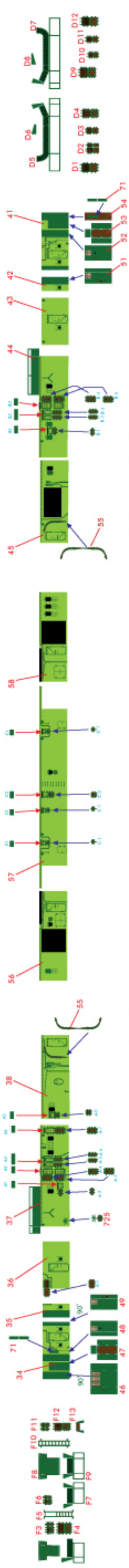


<20mm Flak38 Gun>

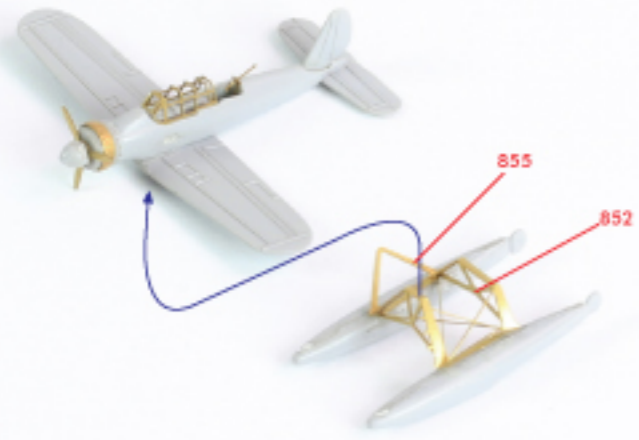
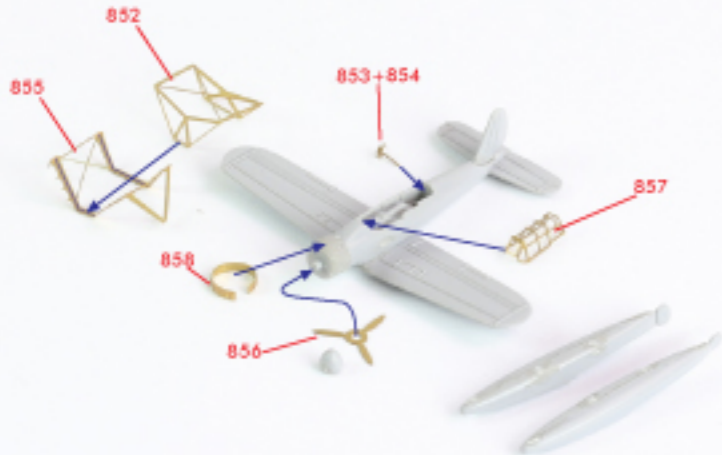
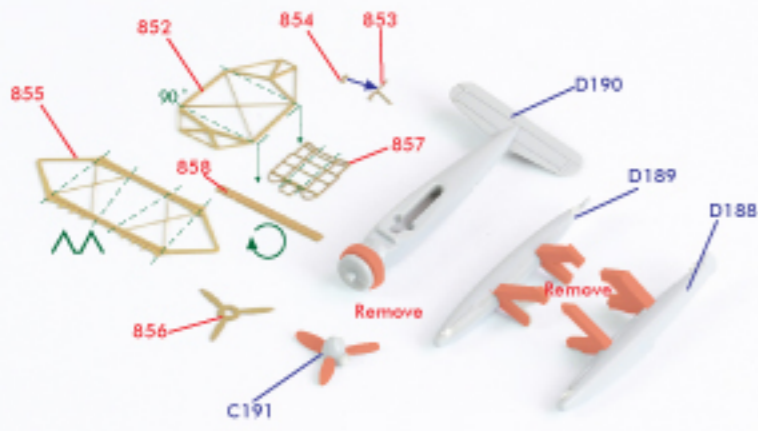


<20mm Single>

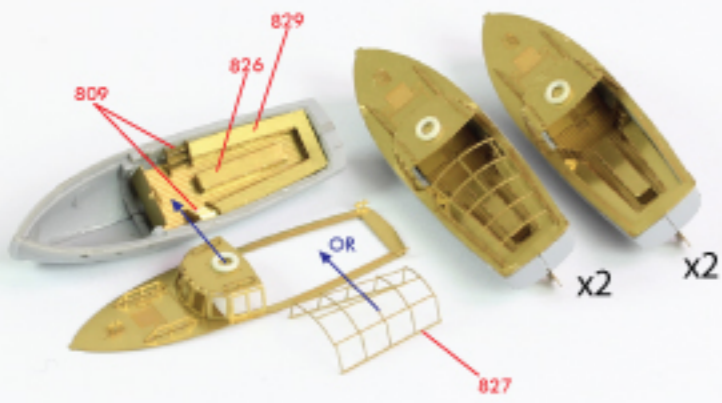
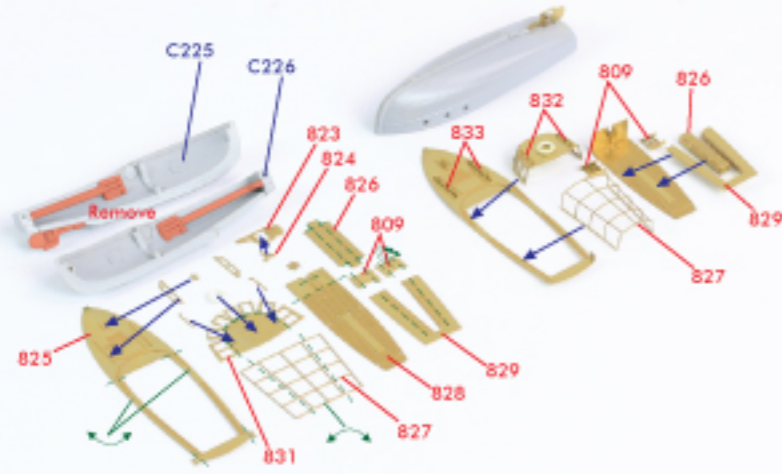




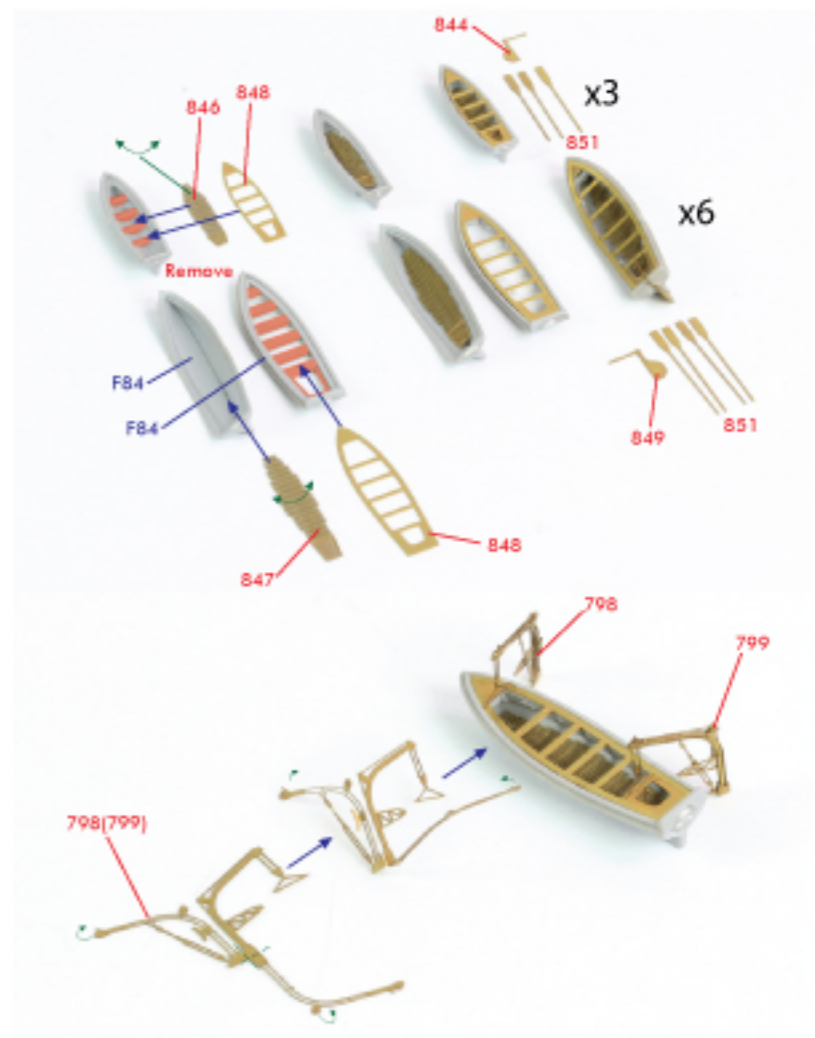
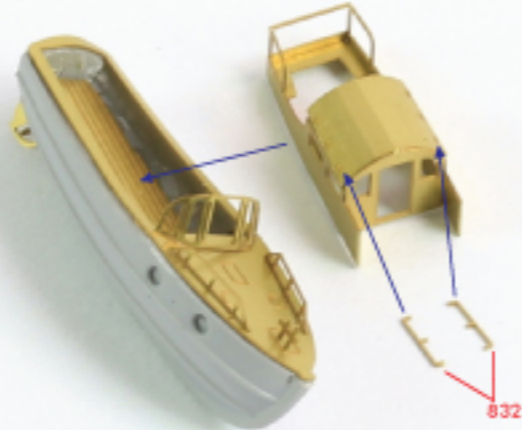
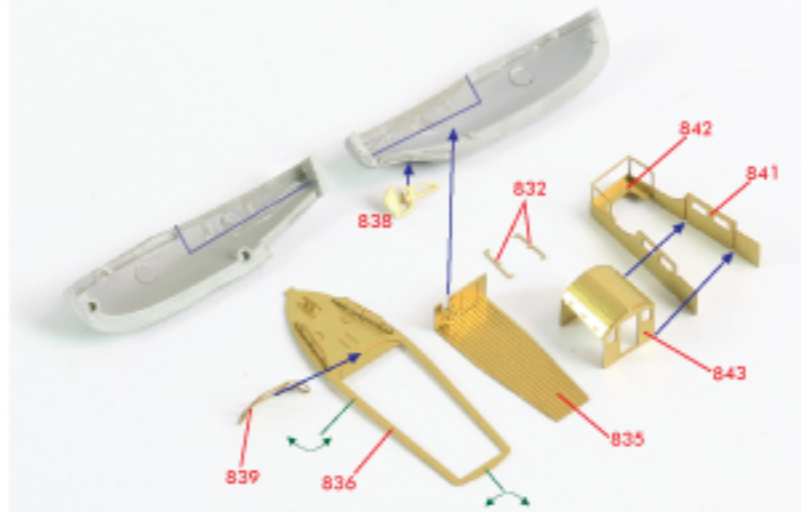
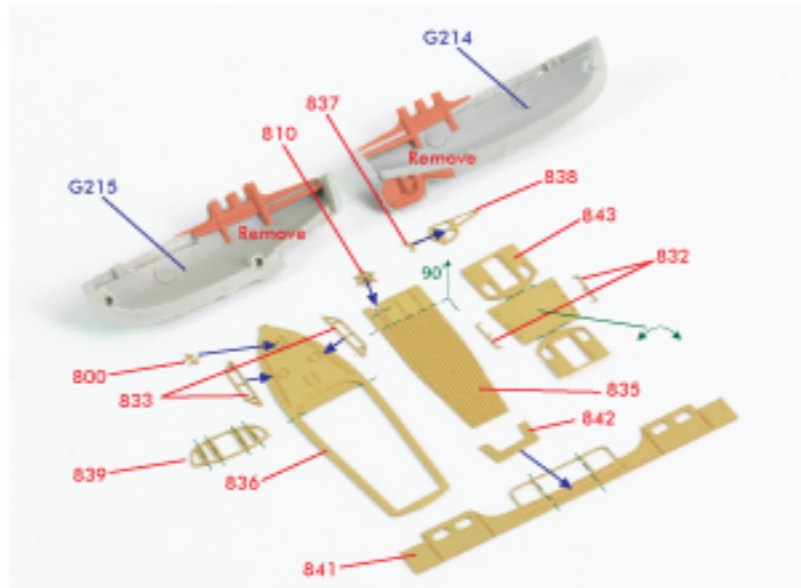
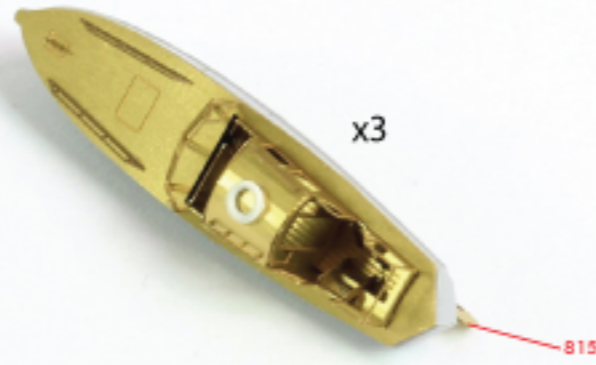
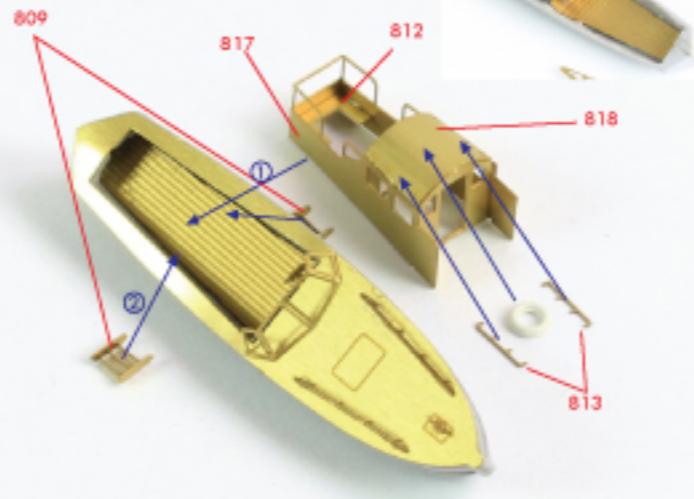
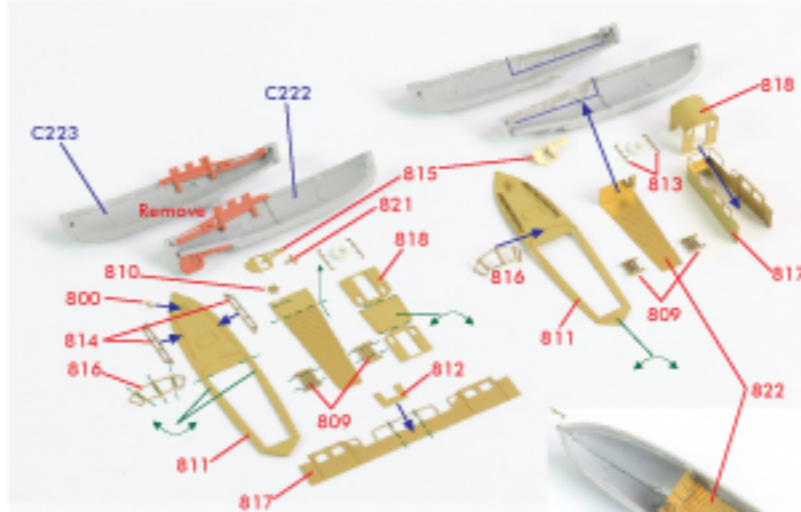
<Arado>



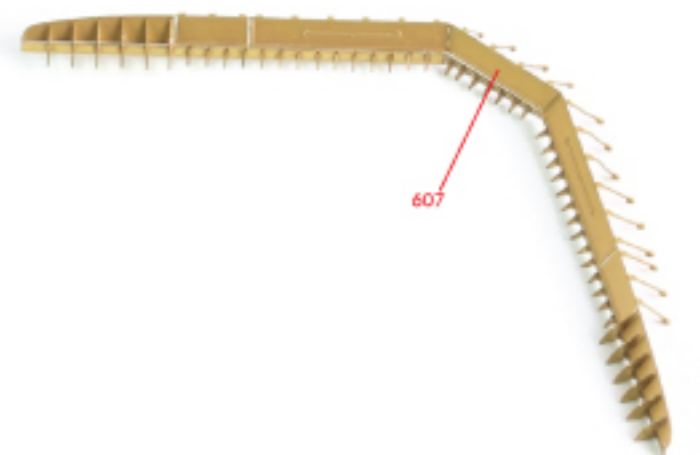
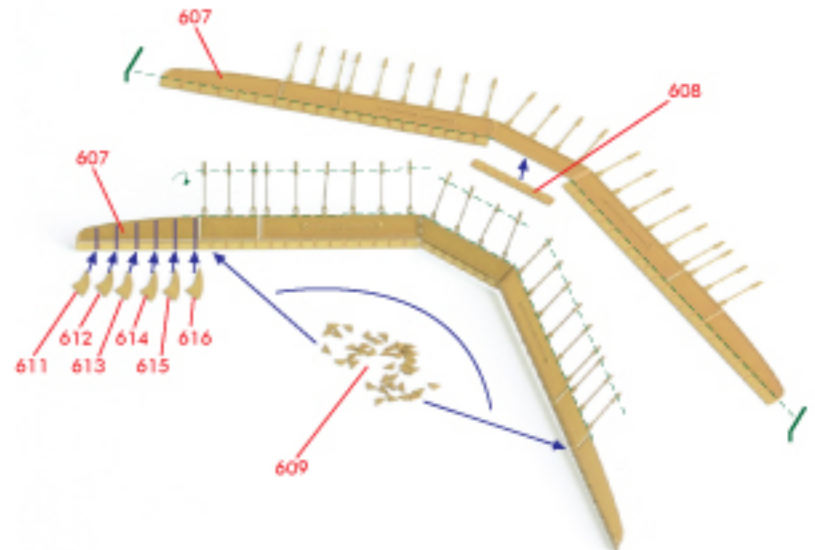
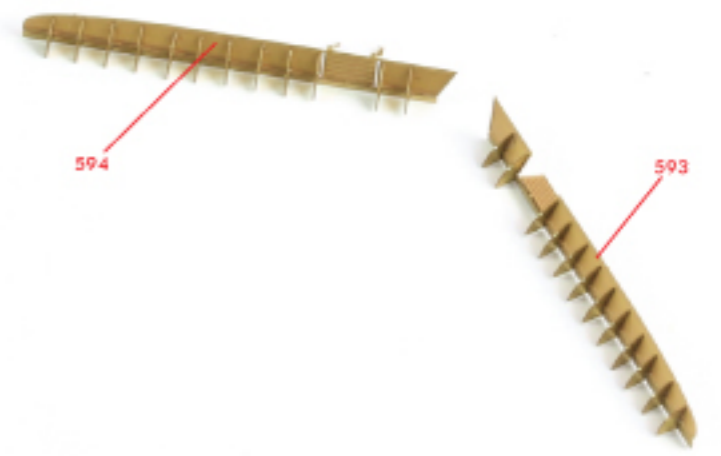
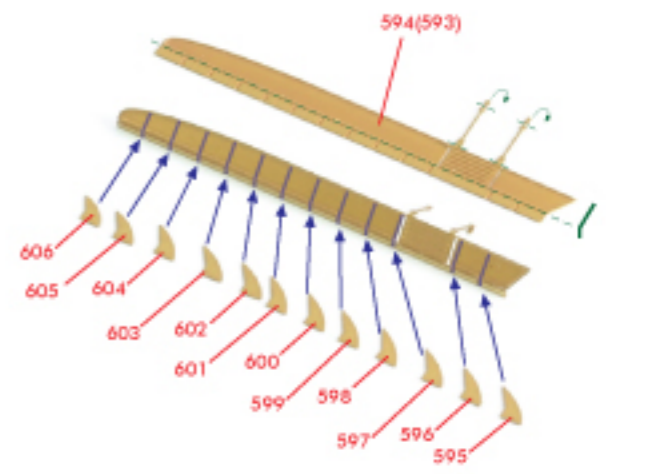
<Boats>



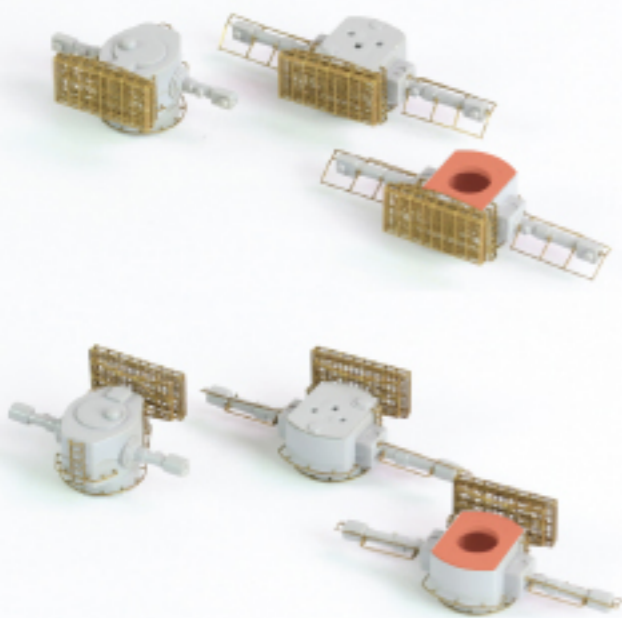
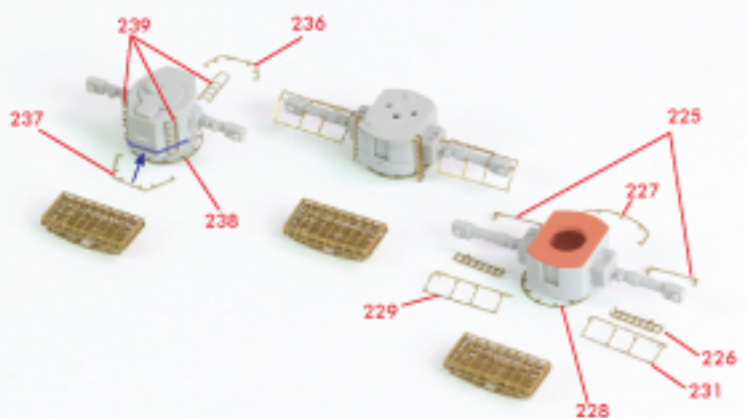
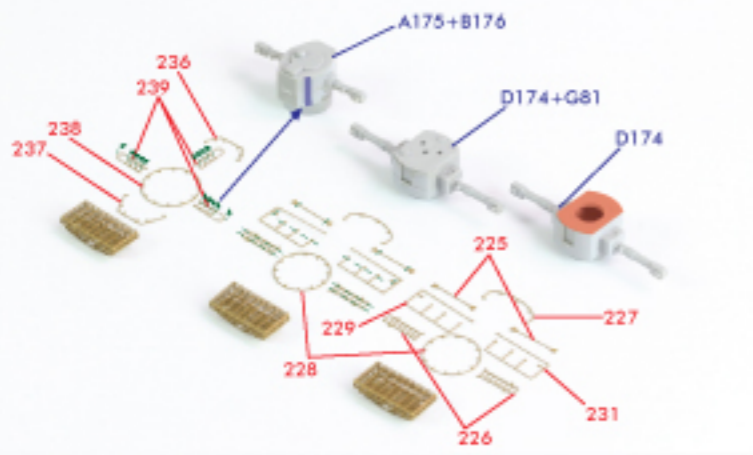
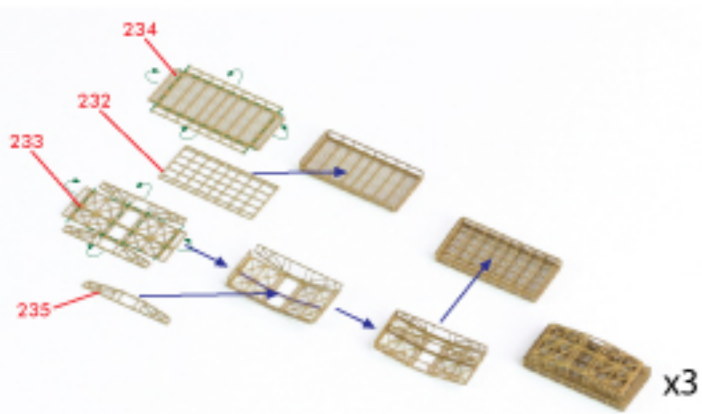
<Boats>



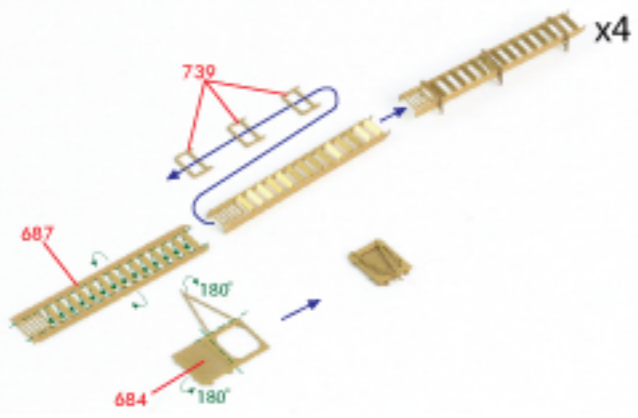
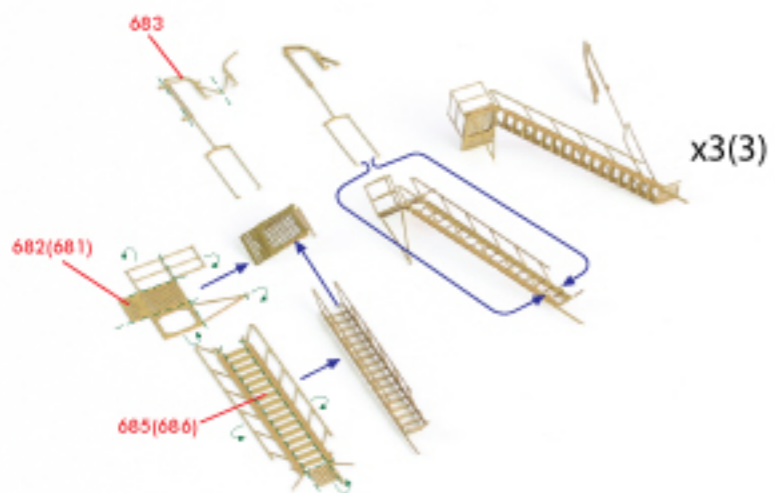
<Brake Water>



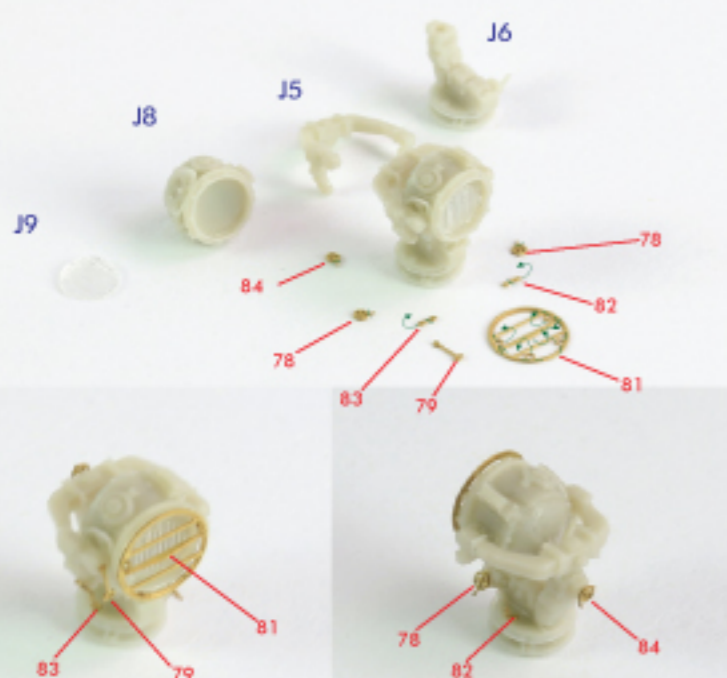
<Radar>



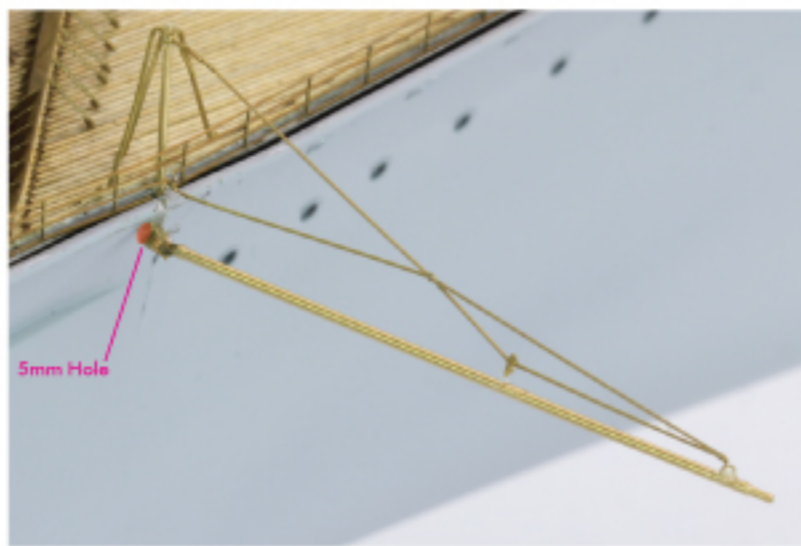
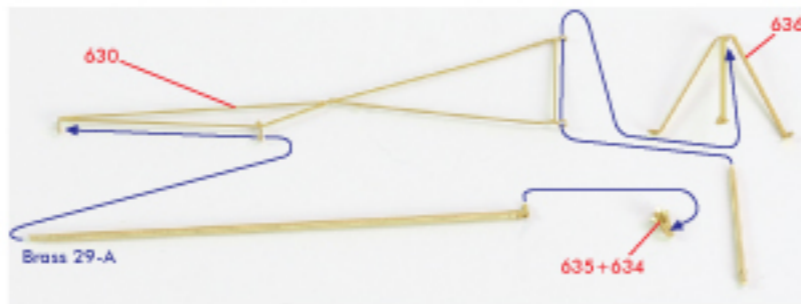
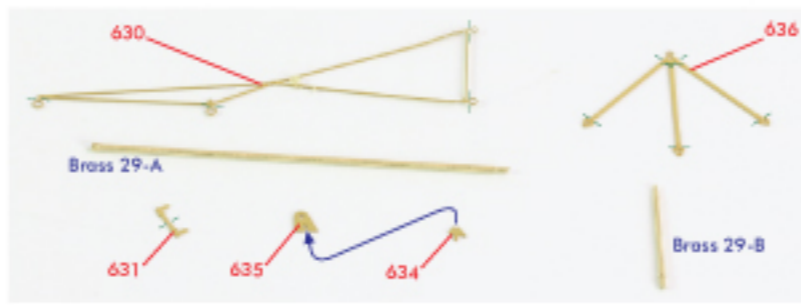
(ACC. Ladder)



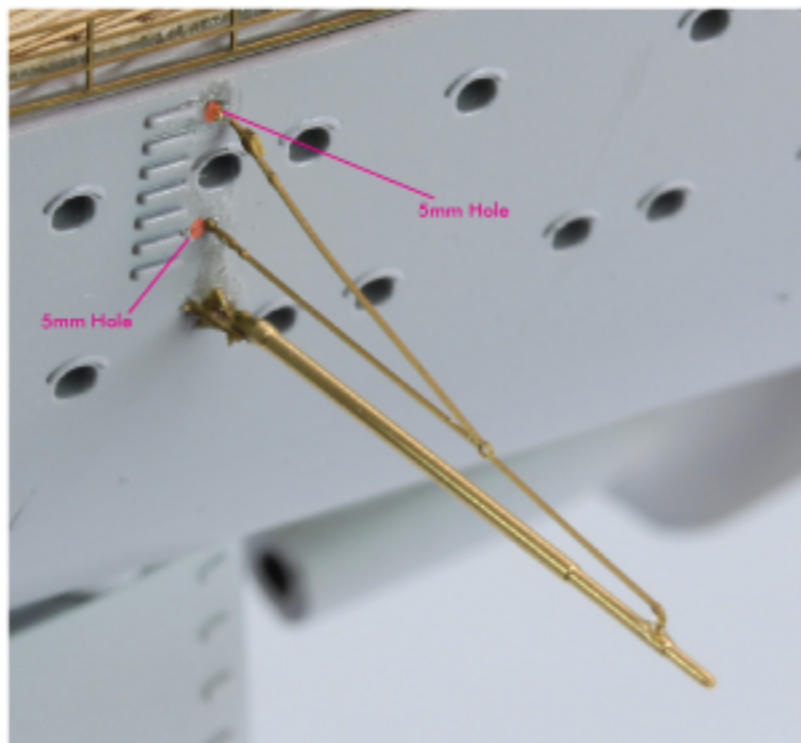
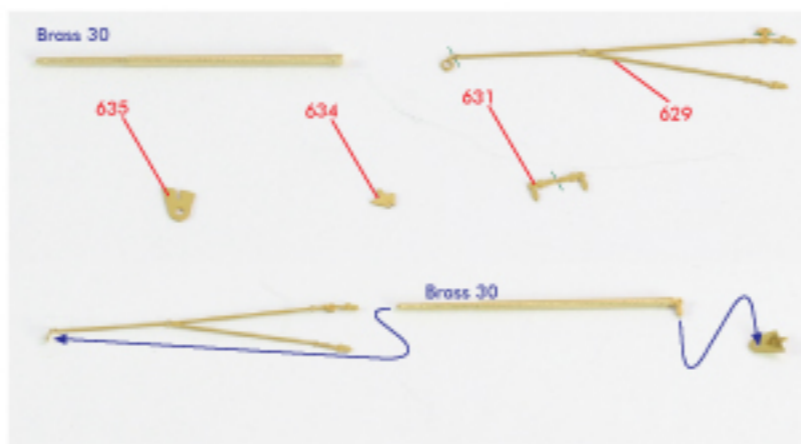
<Searchlight>



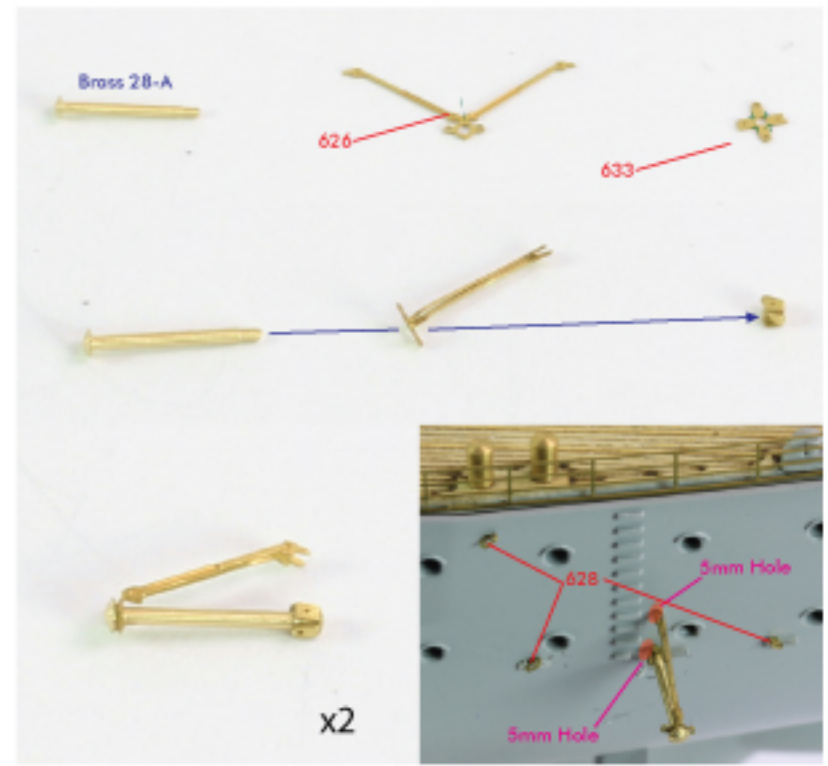
<Boom Bow>



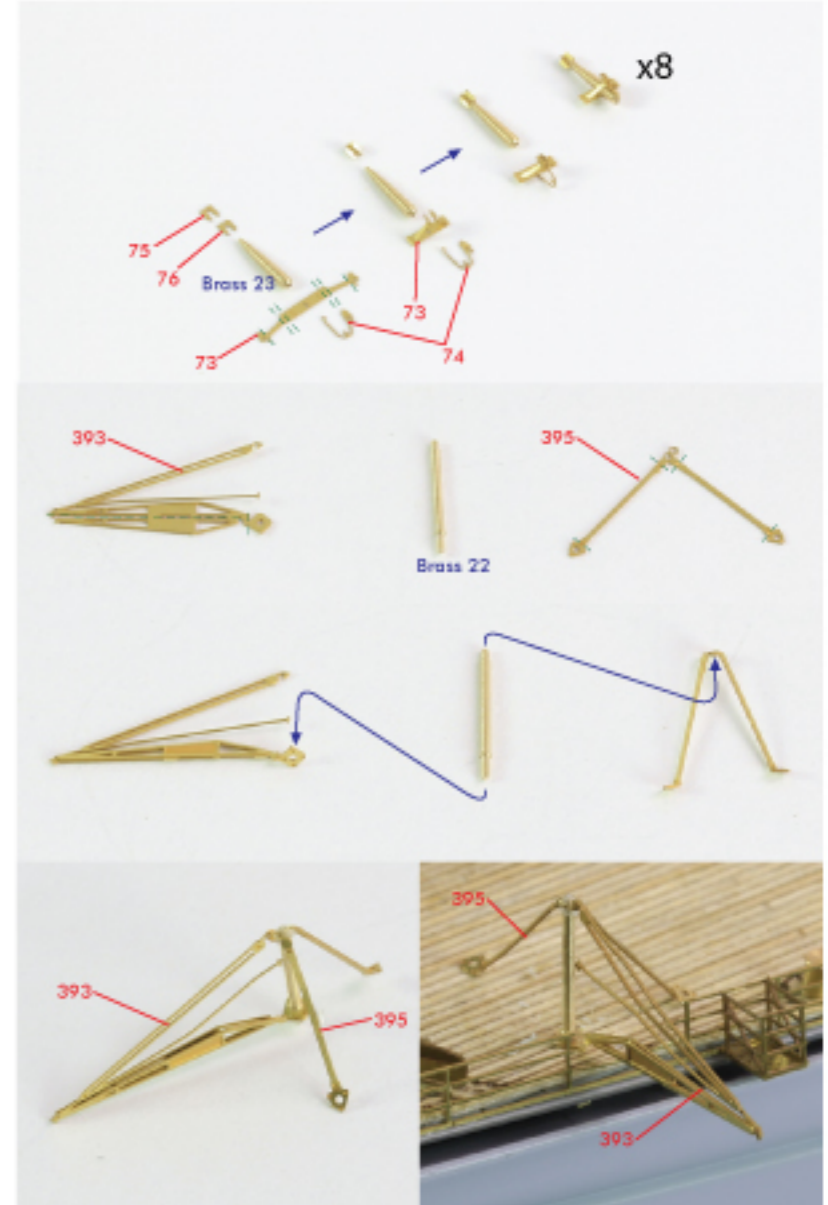
<Boom Stern>



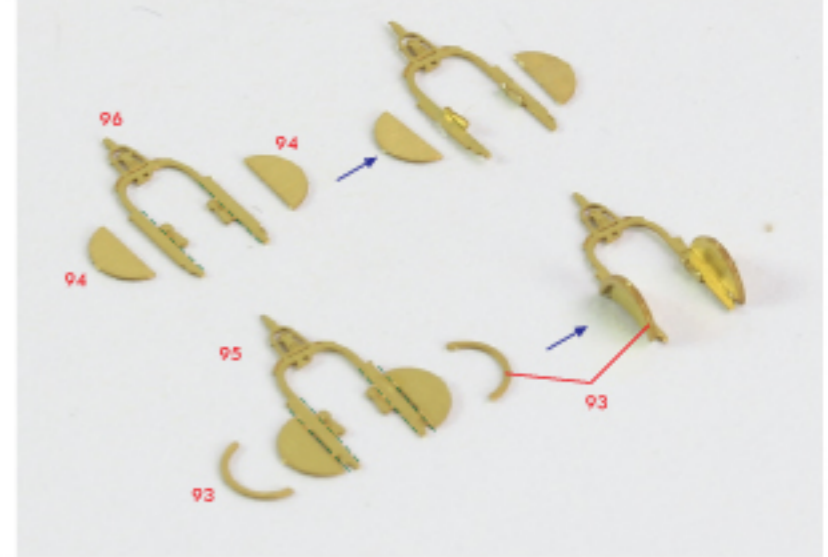
<Screw Guide>



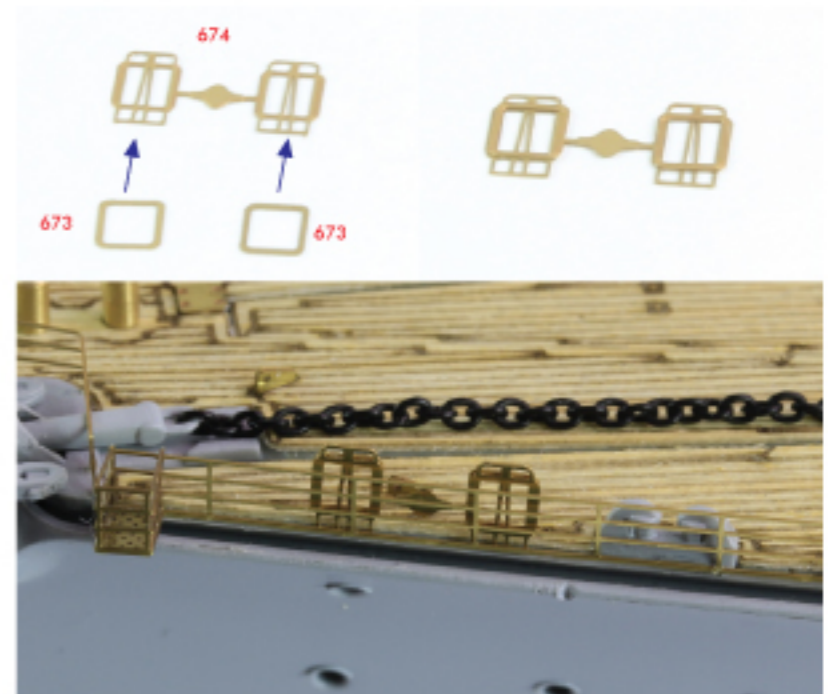
Paravan



<Sd.Ah.51 Trailer>



<Wire Stand on the Bow>



PONTOS MODEL.COM

http://pontosmodel.com Email: help@pontosmodel.com #910 Jungang 2, 144-5 Songgajwon, Jungwon, Seongnam, Gyeonggido 462-120 Korea Hobbyway, INC Printed in Korea