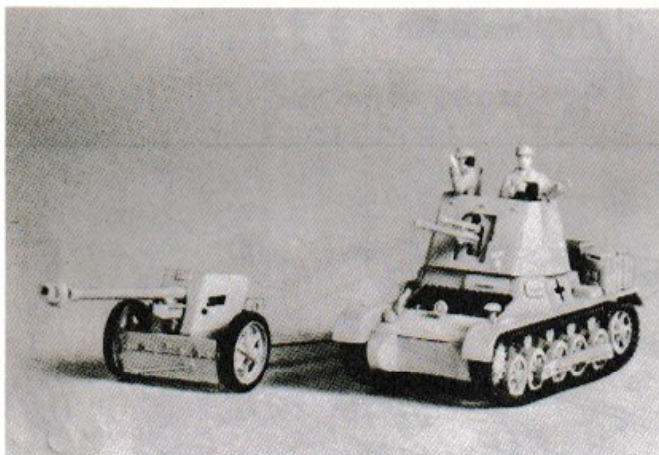


GERMAN PANZER JAGER I 4.7cmPAK

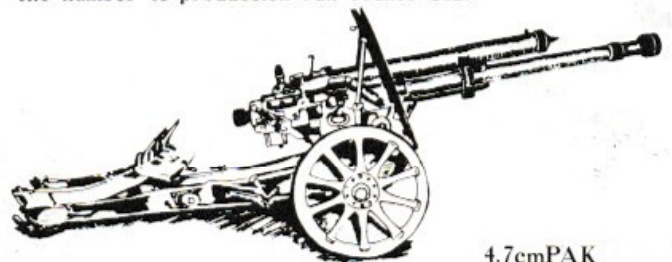
1:76 SCALE MODEL KIT ASSEMBLY INSTRUCTIONS

KIT NO. WA-21



HISTORICAL BACKGROUND

This 4.7 cm Czech Anti-Tank Gun on Panzer 1 chasis which was mounted 4.7 cm PAK of Czechoslovakia instead of Pz.Kpfw IB turret and armed with 14.5 mm plate at the front and both sides, was one of the improved models from the Pz.Kpfw IB. It was developed in 1939 by Alkett and the number of production run counts 132.



4.7cmPAK

SPECIFICATION FOR "4.7 CM PAK"

WEIGHT	8.4 tons	MAXIMUM SPEED	40 km/h
LENGTH	4.42 m	TRENCH CROSSING ABILITY	1.4 m
WIDTH	2.06 m	OBSTACLE ABILITY	0.37 m
HEIGHT	2.20 m	CREW	3 men
CLEARANCE	0.3 m	ARMAMENT	One 4.7 cm PAK
TRACK CONTACT LENGTH	2.4 m	AMMUNITION STOWAGE	86 rds
WIDTH OF TRACK	0.28 m	CLIMB ABILITY	30°
ENGINE	Maybach NL38TR	ARMOR	7-13 mm
	6-cyl. 100 h.p.		

The barrel with horizontal traverse of 30 degrees was set on the little right side from the center. This gun was powerful enough for the armoured car and showed its remarkable mobility at the large desert fighting on African front. This Czech 4.7 cm PAK was also mounted on the French Army and worked as the Anti-Tank Self-Propelled Gun.

As the improved version from Pz.Kpfw, there are small armoured command vehicle, infantry gun on the Pz.Kpfw and ammunition supply vehicle.

PAINTING REFERENCE

Field-gray and dark-yellow are the basic colors. In Africa, the color of some vehicles were changed to dark-yellow from gray since they were delivered as gray, but many unpainted places could be seen. During the winter on Eastern Front, some vehicles were camouflaged with white. The upper side of combat room and the back of the shield were painted with same color as the body's and the lower side of combat room and driving room were painted with white.



DARK-YELLOW



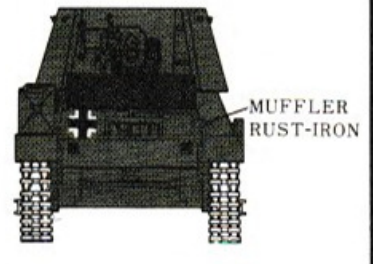
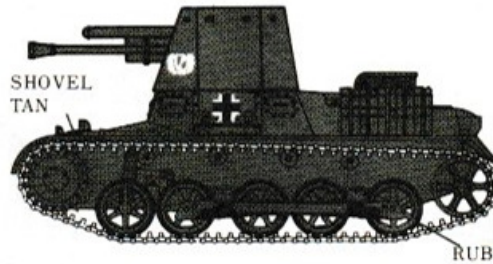
FIELD-GRAY

PAINTING OF FIGURES

Both of figures are for Africa.

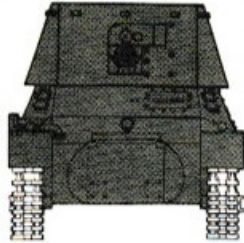


1940 IN FRANCE THE FIRST SS TANK DIVISION

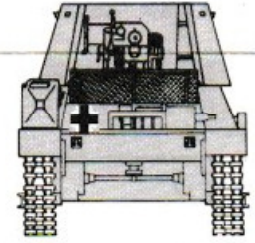
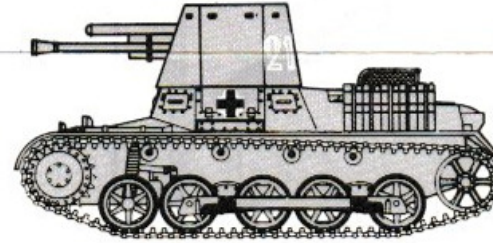
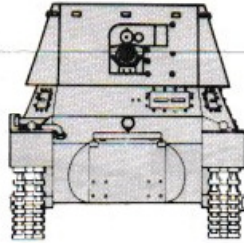


RUBBER TIRE
FLAT-BLACK

1941 IN AFRICA



1942 IN AFRICA

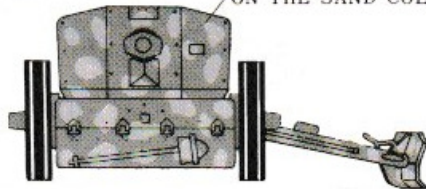


PAINING REFERENCE FOR "75MM ANTI-TANK GUN"

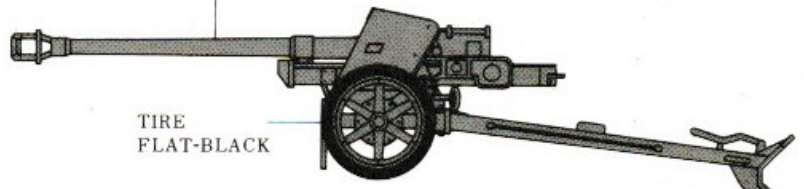
The color of the German Army heavy fire arms were field-gray or dark-yellow (sand) for Africa. After 1943, dark-yellow was used as the basic color and inkspot camouflage

as shown below was sometimes used according with each front and geographical feature and in the winter, some arms were camouflaged with white as same as the vehicles.

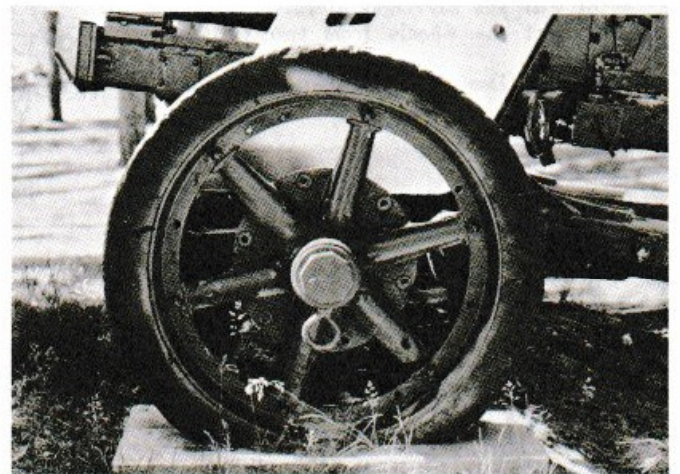
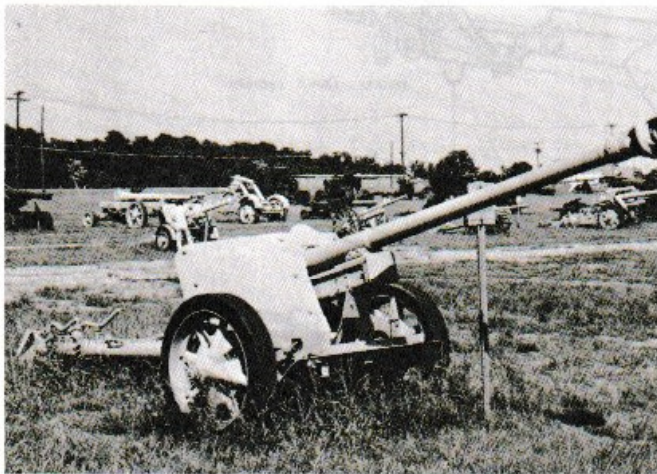
CAMOUFLAGE WITH RED-BROWN OR DARK-GREEN ON THE SAND COLOR



FIELD-GRAY OR DARK-YELLOW

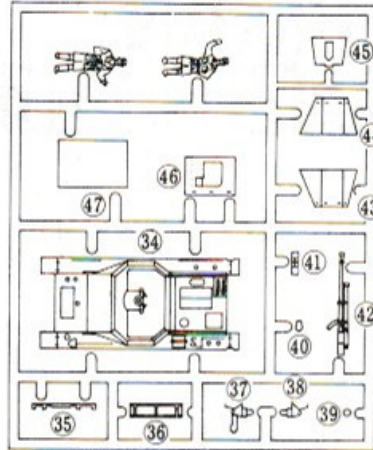
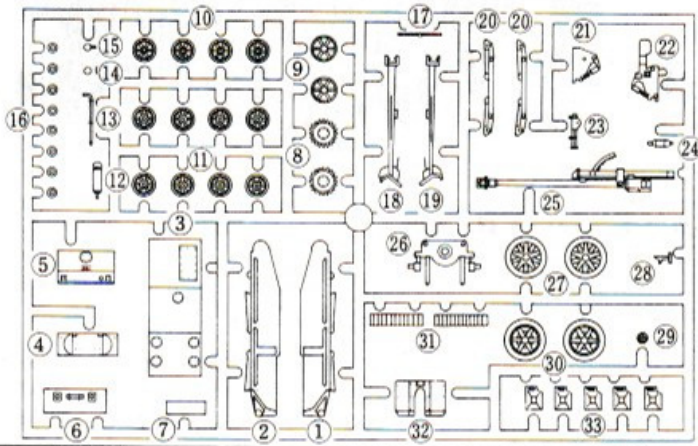


TIRE
FLAT-BLACK



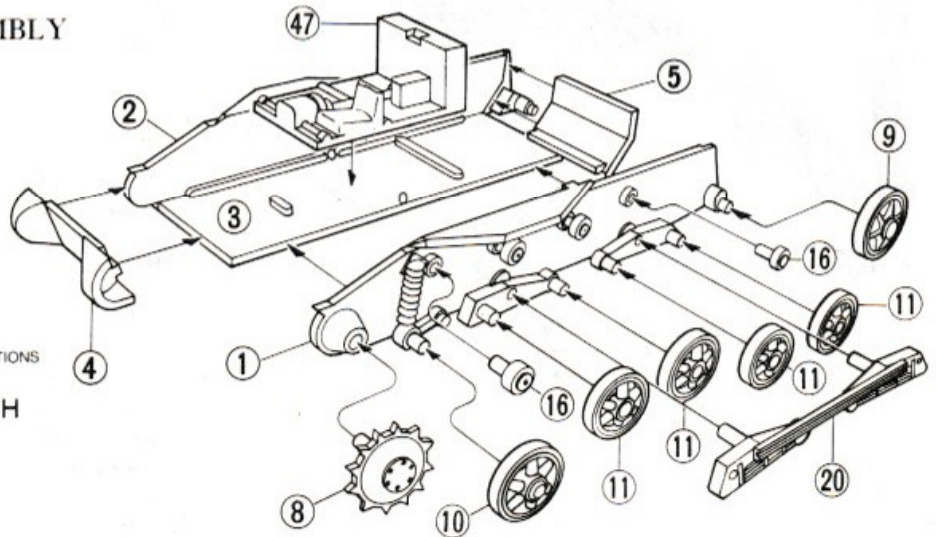
CATAPILLAR

PARTS DRAWING



1 BODY AND WHEEL ASSEMBLY

- Assemble the under body parts ① ② ③ ④ ⑤, then cement all wheels to the body shafts.
- In this case, be careful about the direction of bottom plate ③.



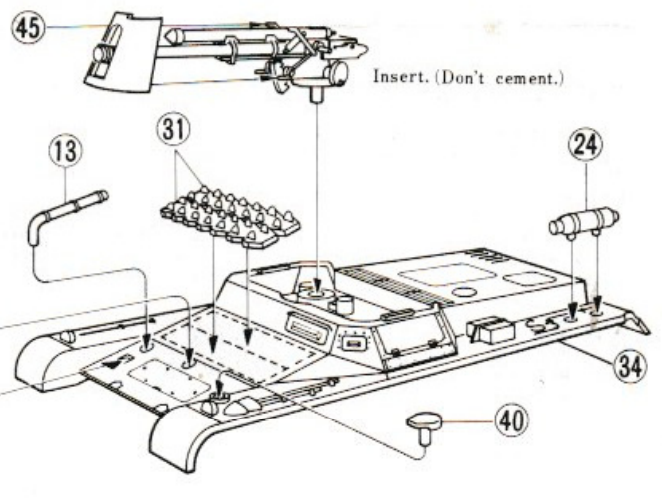
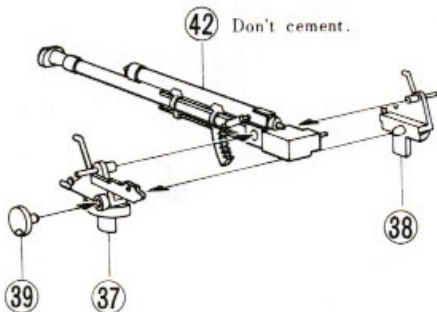
CE FUJIMI EUROPA

Chaussée de Wavre 1183
1160 BRUXELLES BELGIUM
IN CASE OF NEED, RETAIN ADDRESS
FALLS ERFORDERLICH, ANSCHRIFT AUFBEWAHREN
GARDER CET EMBALLAGE OU RECOPIER CES INFORMATIONS
CONSERVARE QUESTO INDIRIZZO
FIQUE COM O ENDERECO
FAVOR GUARDAR DIRECCION

9JY6CH

2 CANNON ASSEMBLY

- Don't cement gun barrel but sandwich it with gun carriages ③⑦ ③⑧.

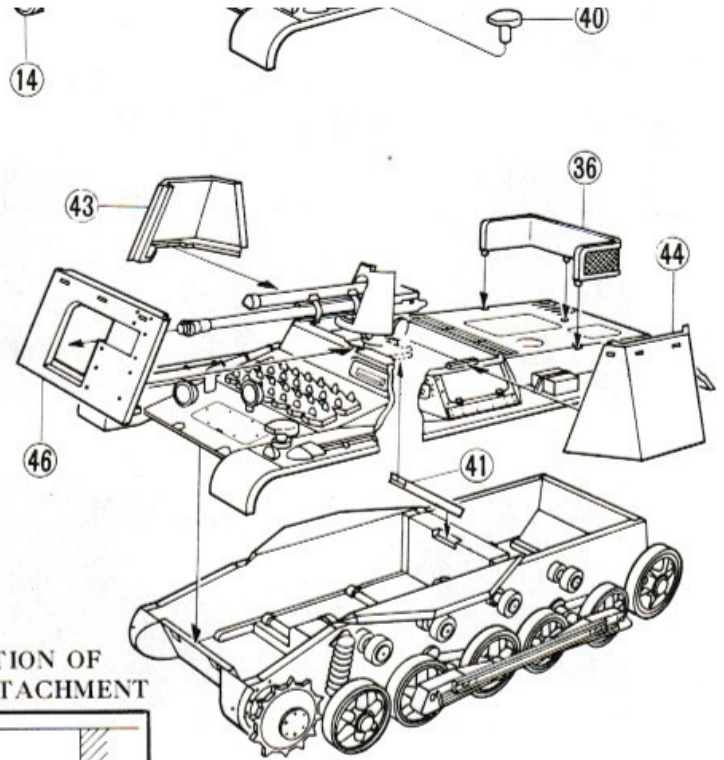
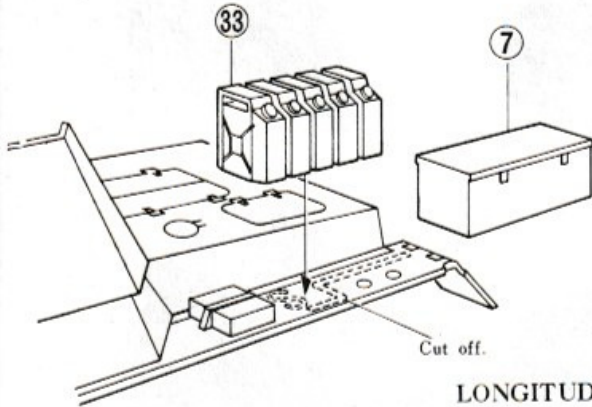


3 BODY PARTS ASSEMBLY

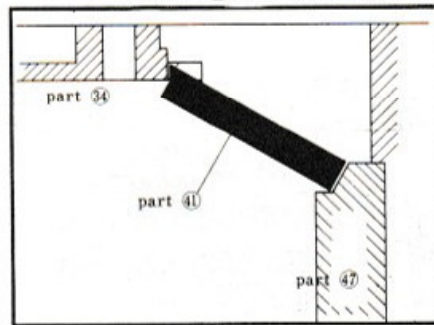
- Cement each part according to the illustrations.

3 BODY PARTS ASSEMBLY

- Cement each part according to the illustrations.
- If you are going to attach water tank (33) or tool box (7), don't cement fire extinguisher (24) but make the board flat to cut off the parts shown by dotted lines below.

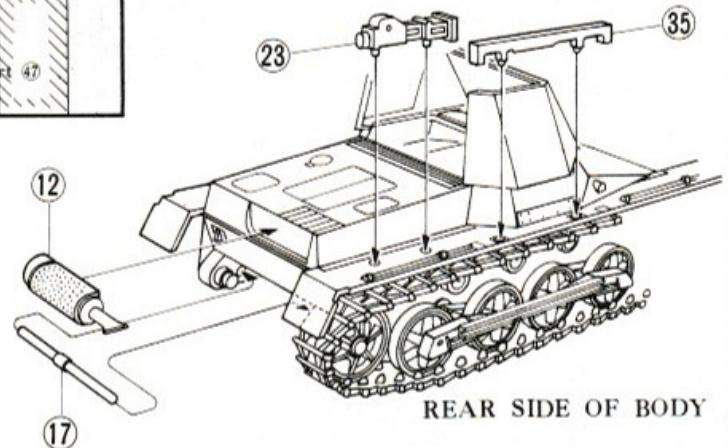
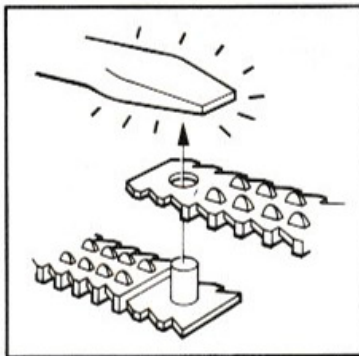


LONGITUDINAL SECTION OF PART 41 ATTACHMENT



※CATERPILLAR ASSEMBLY:

Insert one side end stud in hole of the other side, then lightly melt top of stud with heated screw driver.



REAR SIDE OF BODY

4 75MM ANTI-TANK GUN ASSEMBLY

- Don't cement gun barrel but sandwich it with gun carriages (21) (22).
- Select the wheels from two kinds of wheels.
- Insert (Don't cement) the gun assembly onto the gun base.

