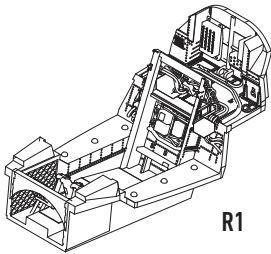
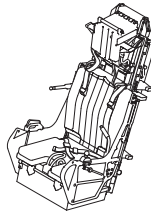


DETAILS AFTER REMOVAL FROM SUPPORTS

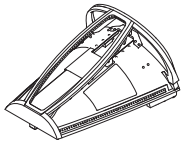
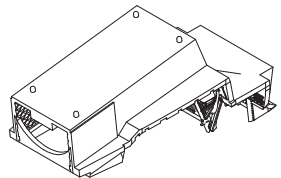
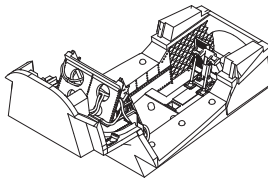
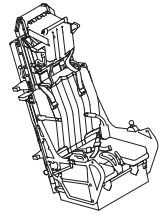
USE A SAW TO REMOVE SUPPORTS
FROM 3D PRINTED PARTS



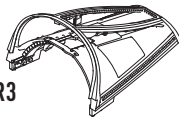
R1



R2



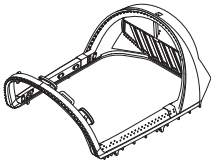
R3



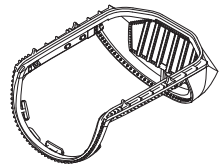
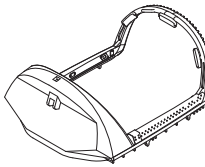
R4



R12



R5



R6



R7



R8



R9

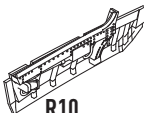
F1



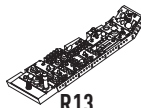
F2



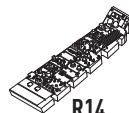
R11



R10



R13

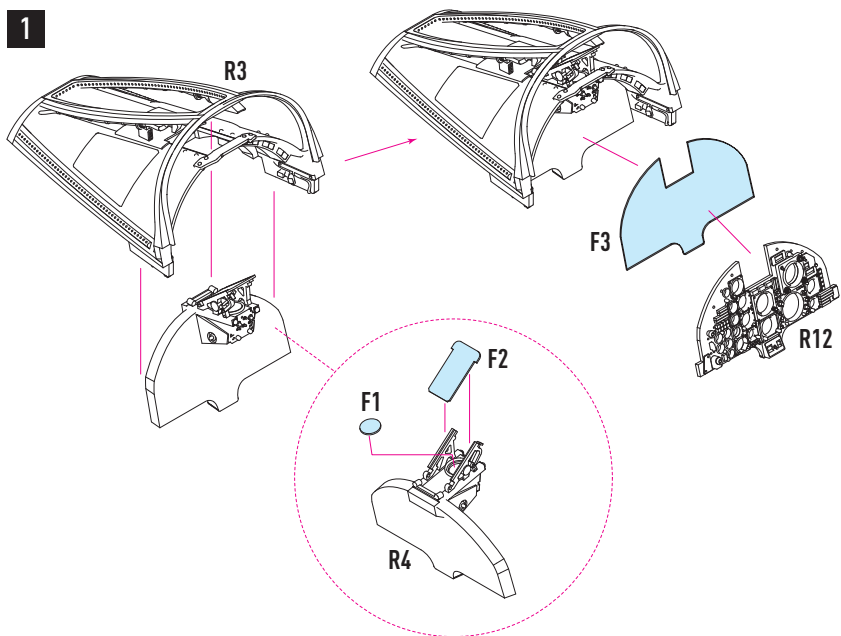


R14

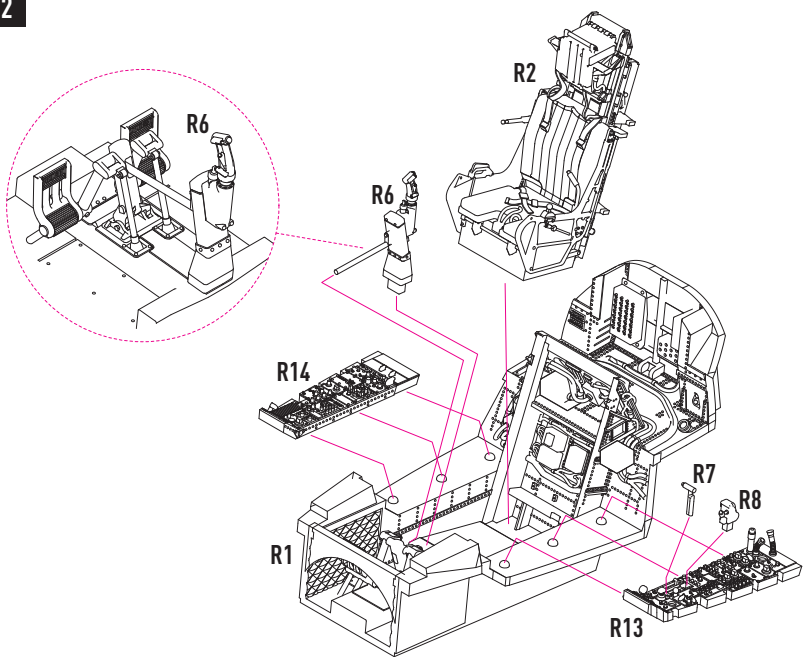


F3

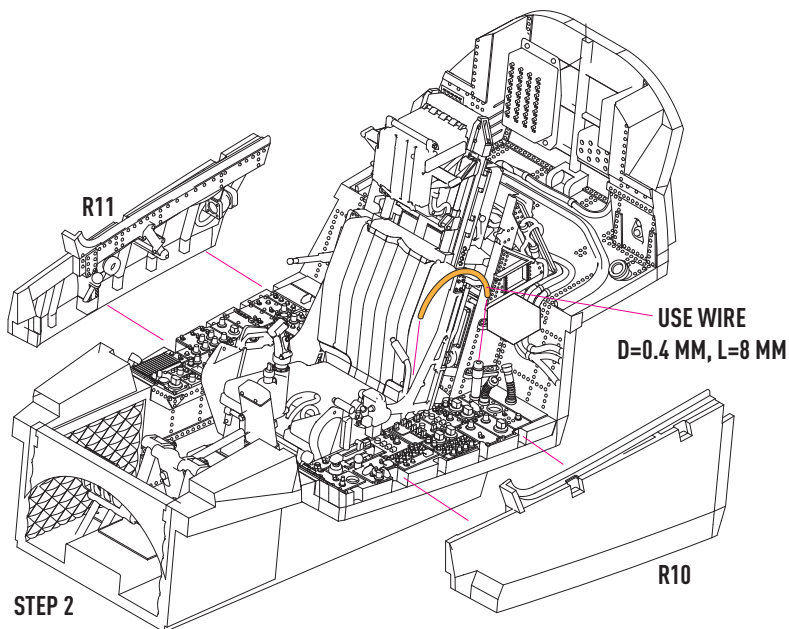
1



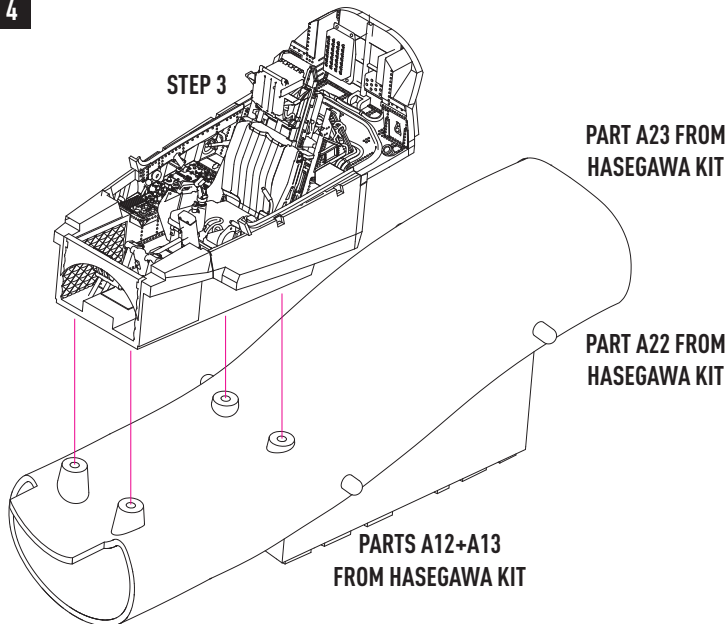
2



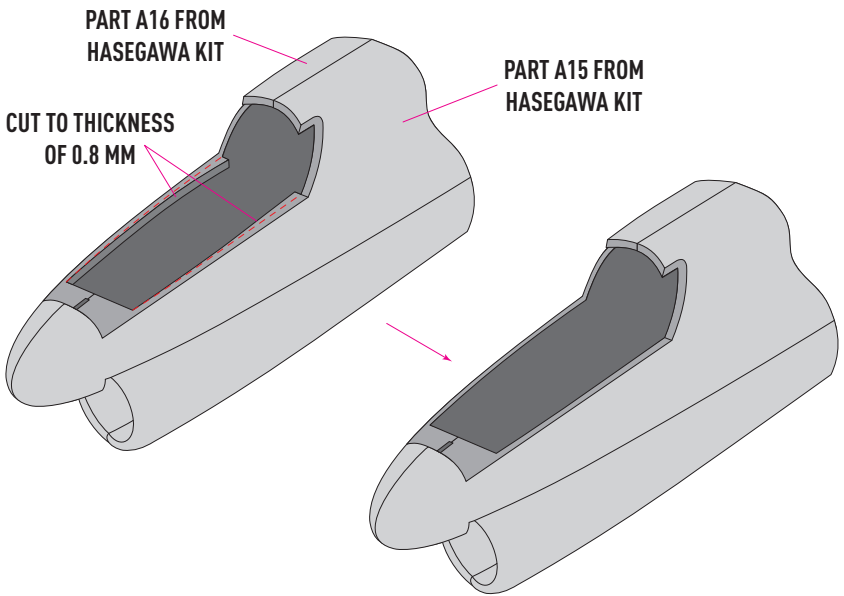
3



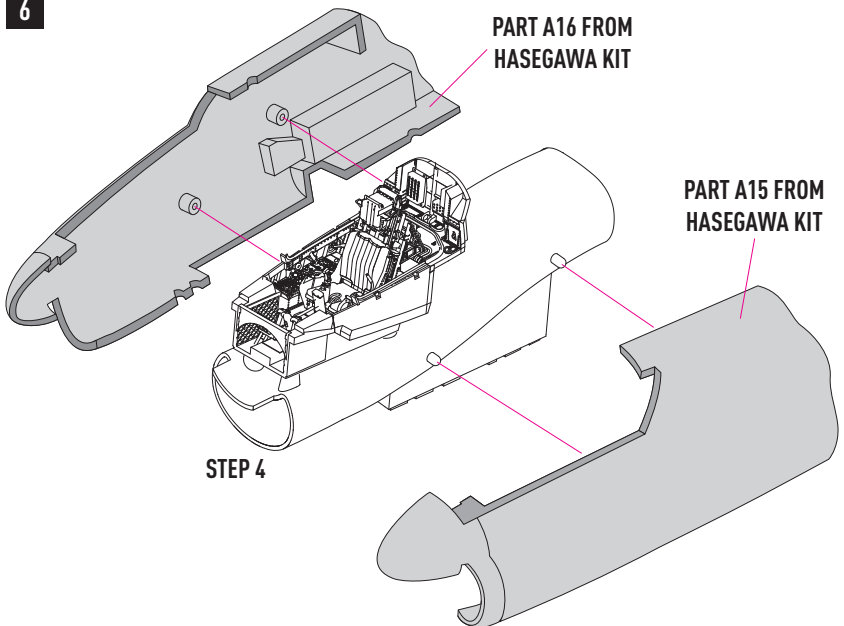
4



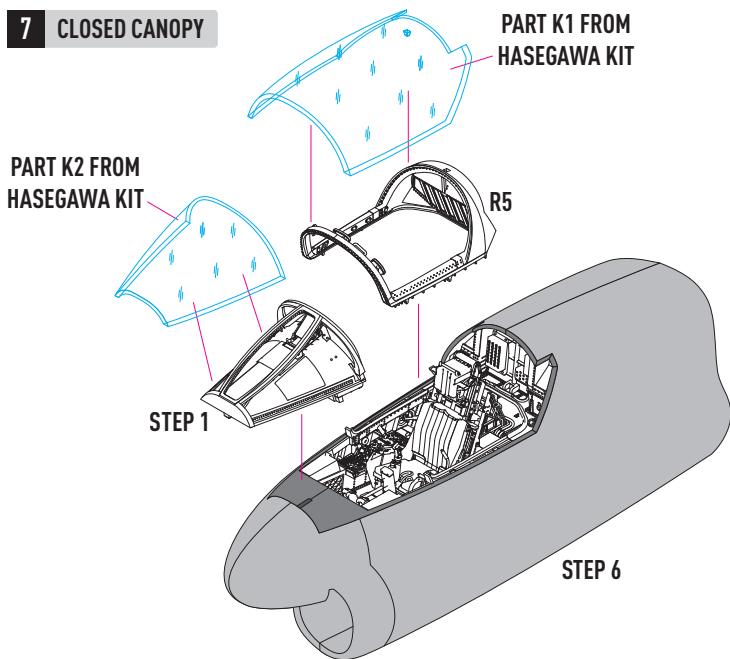
5 PREPARATION OF FUSELAGE PARTS FOR INSTALLATION OF ADDITIONAL KIT



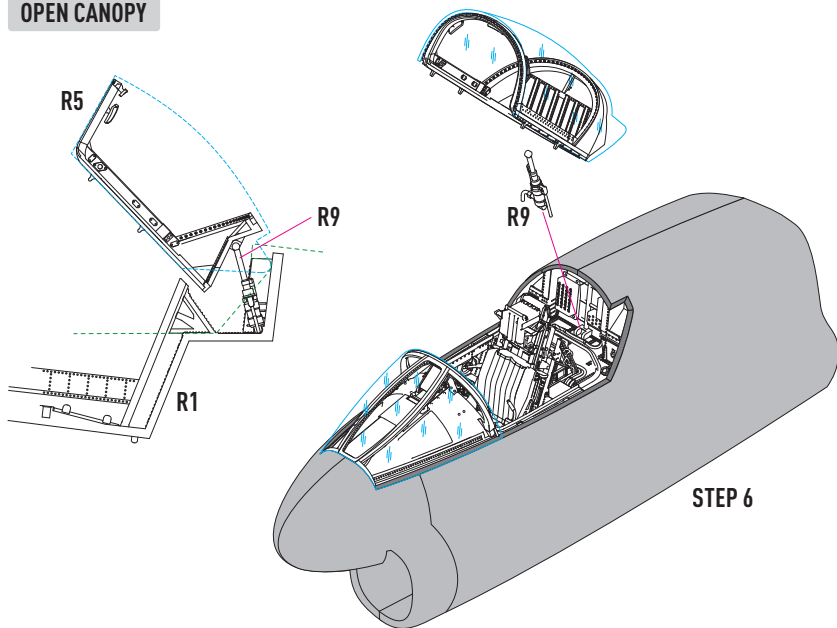
6

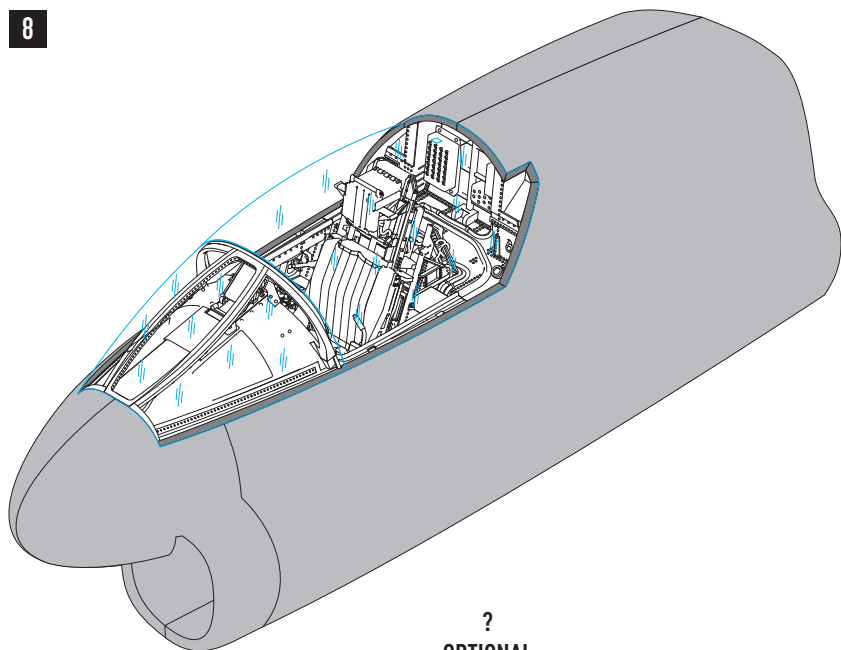


7 CLOSED CANOPY

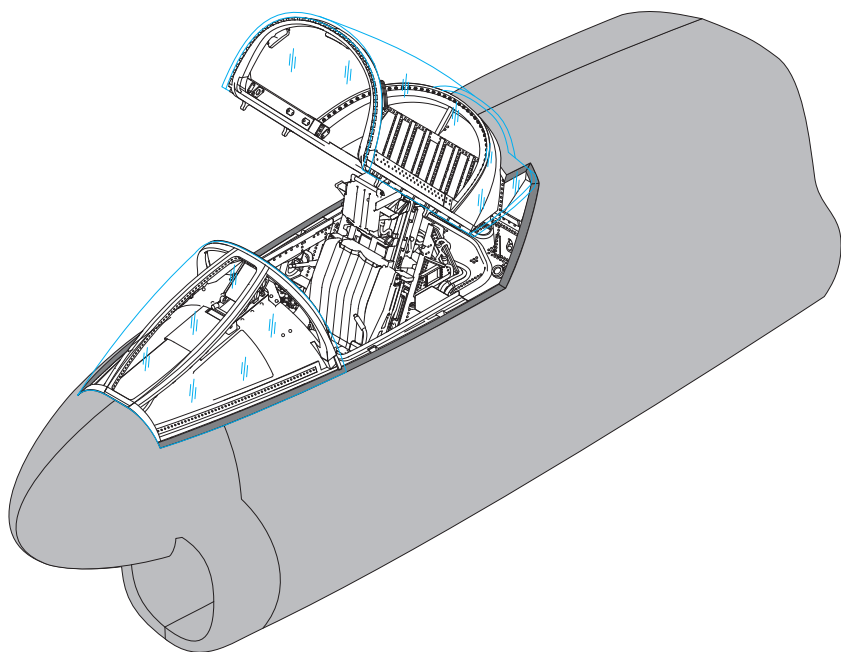


OPEN CANOPY

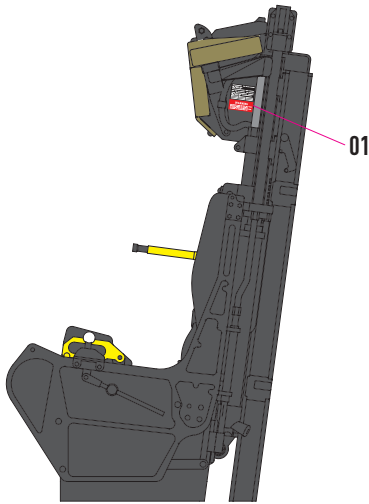




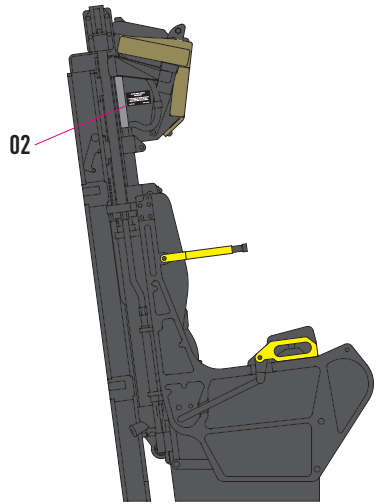
?
OPTIONAL



DECAL INSTRUCTION

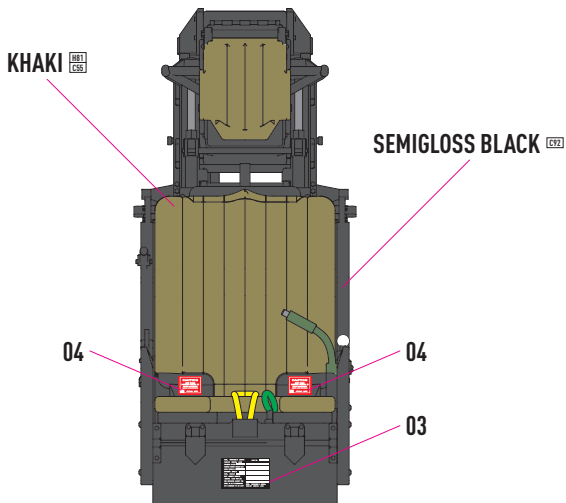


LEFT



RIGHT

FRONT



COLORS	GUNZE / ADEGUS	GUNZE / MR.COLOR
KHAKI	H81	C55
SEMIGLOSS BLACK		C92

general issues: info@reskit.com.ua / claim resolution: claims@reskit.com.ua

RESKIT-MODELS.COM

[fb.com/reskit.official](https://www.facebook.com/reskit.official)

[instagram.com/reskit_official](https://www.instagram.com/reskit_official)

[pinterest.com/reskit_official](https://www.pinterest.com/reskit_official)

YOU CAN FIND INSTRUCTIONS
IN PDF FORMAT ON THE WEBSITE

RESKIT-MODELS.COM

General Issues: info@reskit.com.ua

Wholesales: sales@reskit.com.ua

Claim Resolution: claims@reskit.com.ua