

制作说明

1. 本产品由光敏树脂制成，产品在曝光照射时间的越长而冷却越来越慢。所以在制作前一定要减少产品在光照射的时间，以免产生硬化不容易剪切。
2. 在产品开封后的第一时间水补土能有效防止产品被光线照射，所以如果有条件的话，请为产品喷一层水补土后再开始制作。
3. 制作时可用锋利的剪钳和刀片处理支撑。有些情况下需要利用刀片底支撑一起将零件整体从底板切下，然后再用剪钳剪片支撑。
4. 未使用的零件请收入避光的盒内，并且注意加热后可以使零件软化 and 塑形。

1. This product is made of photosensitive resin, and the product will become harder and harder as the light time increases. Therefore, it is necessary to reduce the time that the product is exposed to light before production, so as not to be too hard and not easy to cut.
2. Spraying a layer of water and soil after the product is opened can effectively prevent the product from being exposed to light, so if possible, please spray a layer of water and soil on the product before starting production.
3. The support can be handled with sharp scissors and blades during production. In some cases, it is necessary to cut the whole part from the base plate with the blade and the support first, and then use the scissors to cut the support.
4. Please store unused parts in a light-proof box, and pay attention to softening and deformation of parts after heating.



更多細節關注公共主页
FOLLOW THE PUBLIC HOMEPAGE FOR MORE DETAILS

坦克配件 1/35

專注模型細節改善
FOCUS ON MODEL DETAIL TRANSFORMATION



SHERMAN TANK M1A1 TYPE DOZER BLADE KIT "VVSS" U.S. MEDIUM TANK M4 SHERMAN

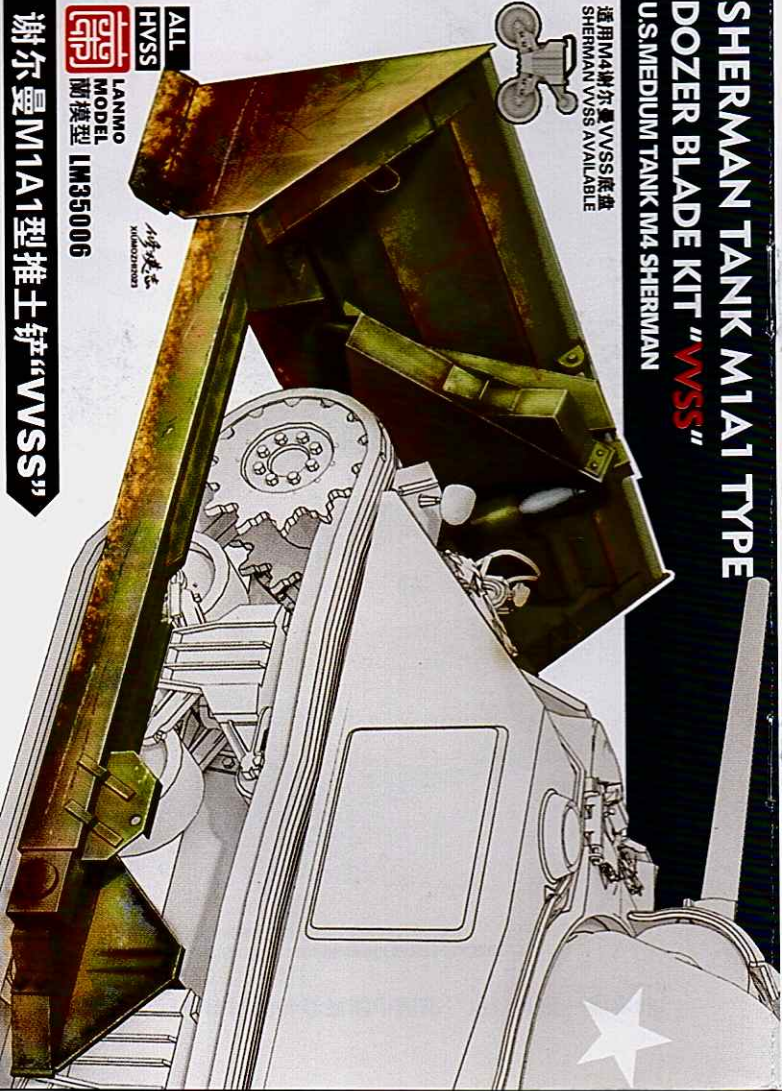
適用M4謝爾曼VVSS推土機
SHERMAN VVSS AVAILABLE



修模社
MODELMAKER

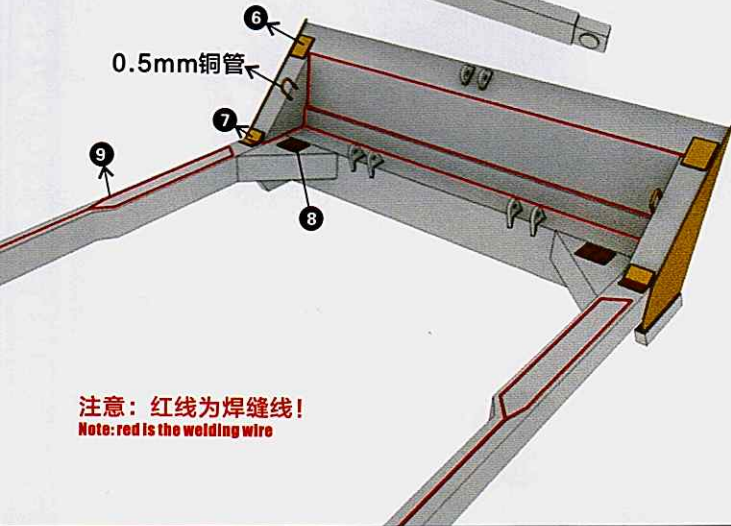
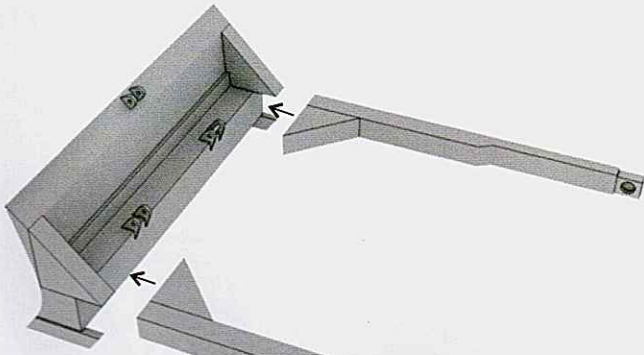
ALL HVSS
LANMO MODEL
蘭模型 LM35006

謝爾曼M1A1型推土機"VVSS"



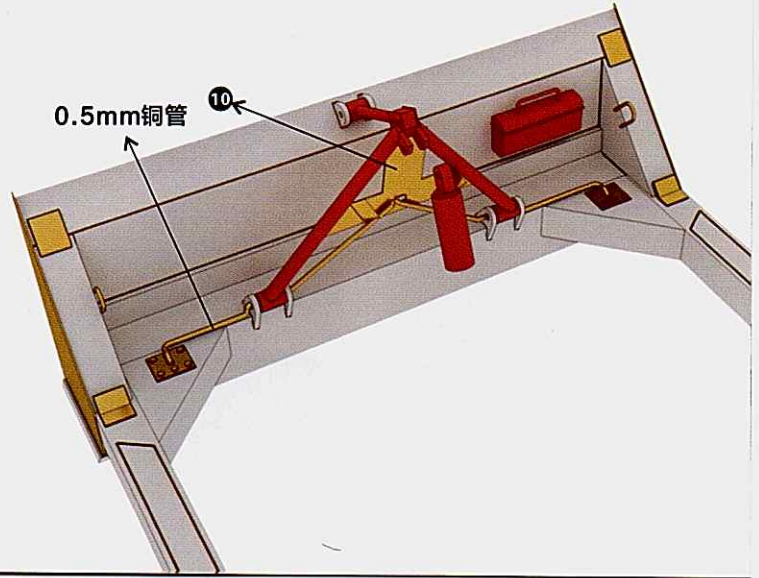
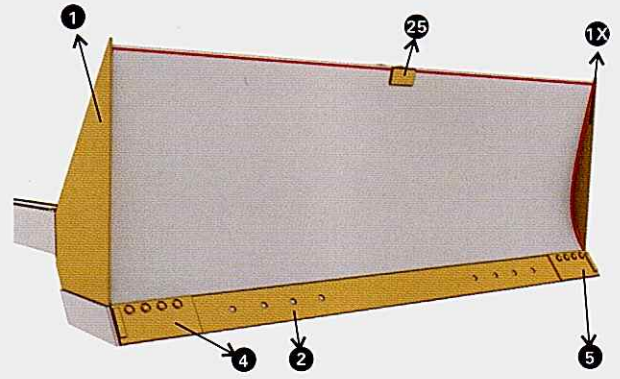
建议：高韧性树脂件会有细小层纹，可以先喷一遍水补，打磨纹理一遍！

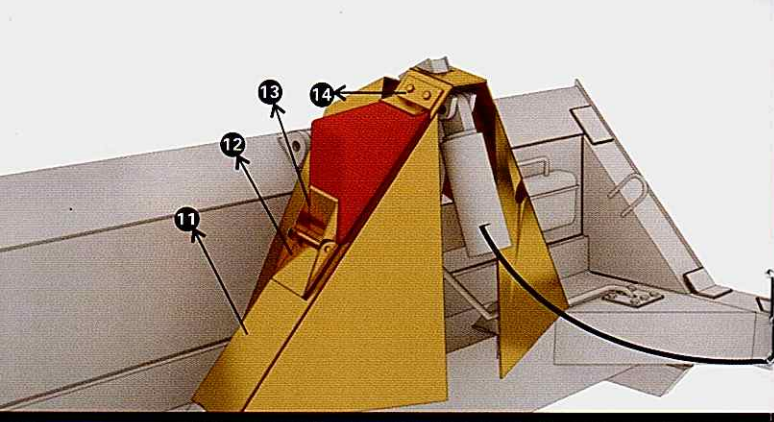
Suggestion: high toughness resin, there will be layer pattern, first spray water to fill the soil and polish it



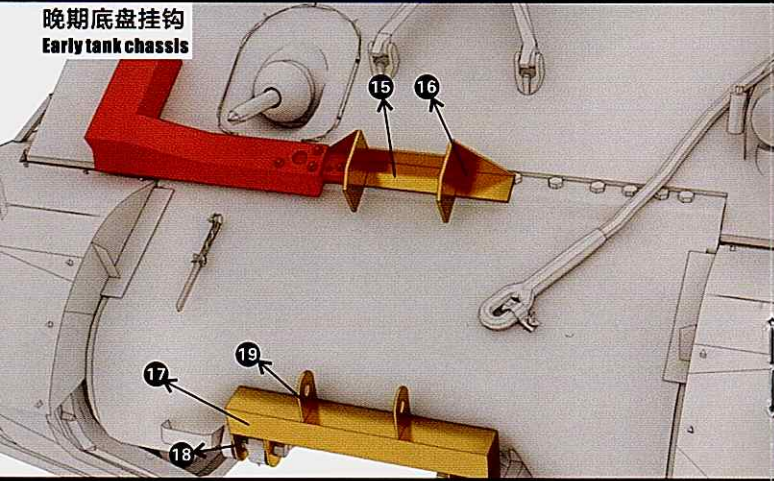
注意：红线为焊缝线！
Note: red is the welding wire

注意：红线为焊缝线！
Note: red is the welding wire

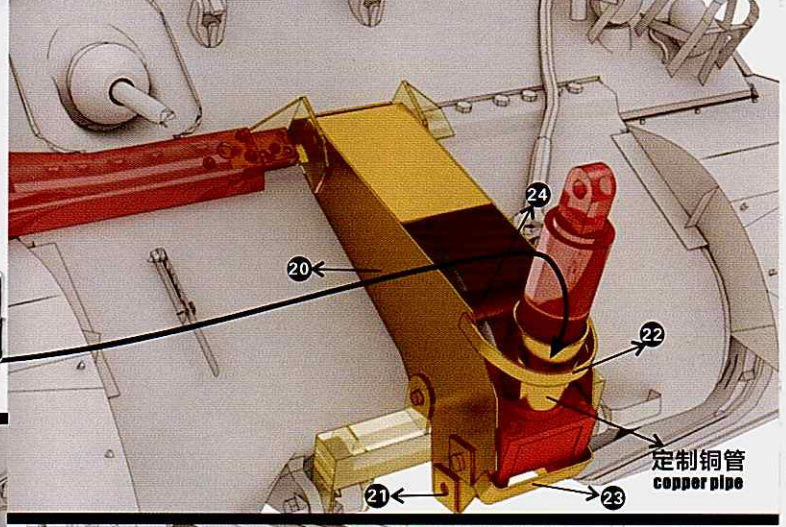
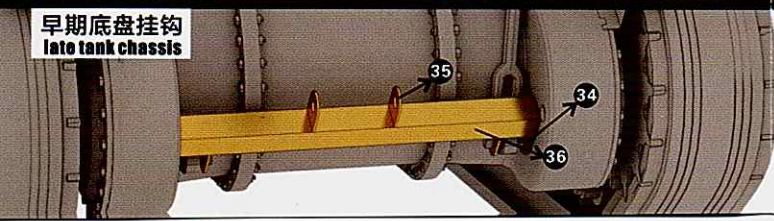




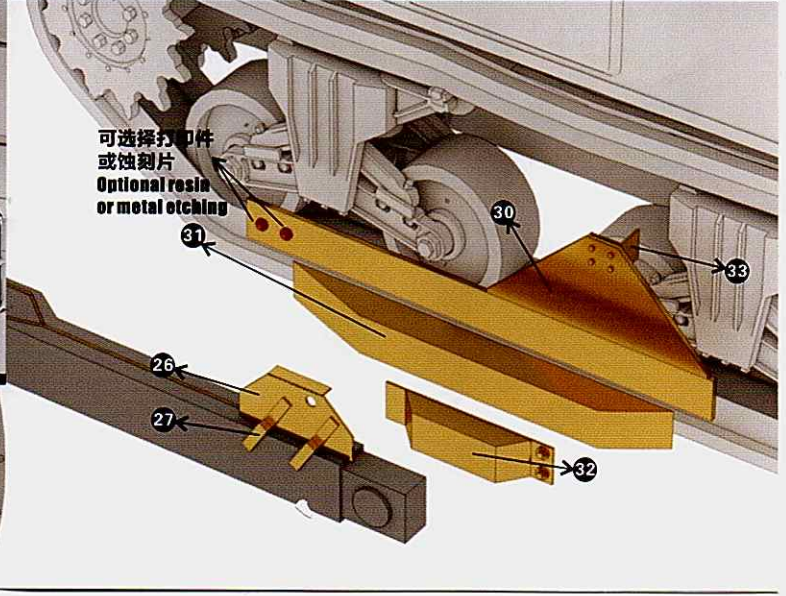
晚期底盘挂钩
Early tank chassis



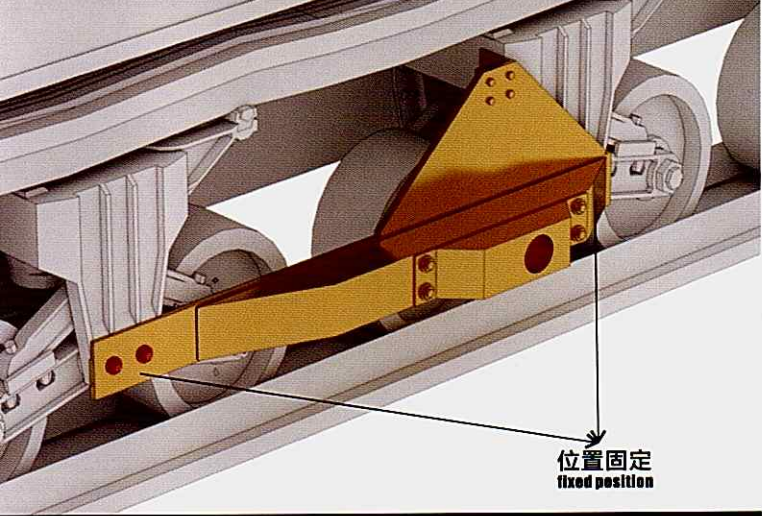
早期底盘挂钩
into tank chassis



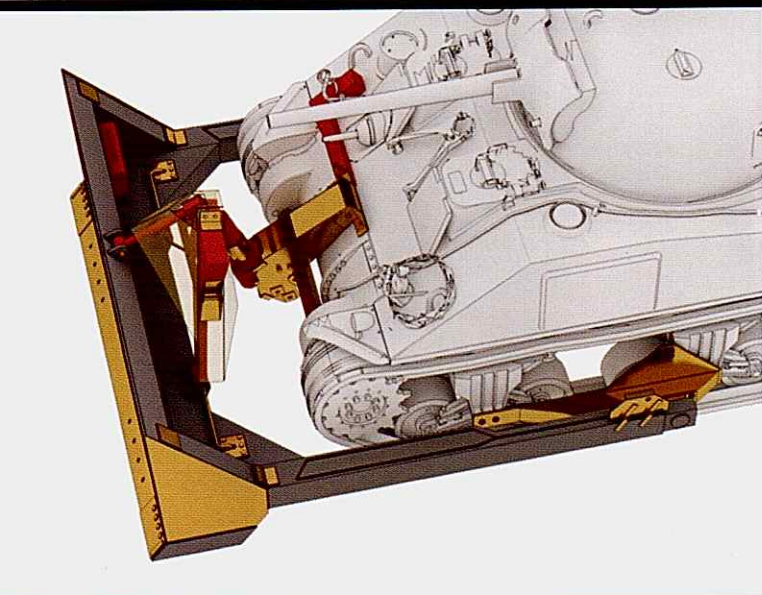
定制铜管
copper pipe



可选择打印件
或蚀刻片
Optional resin
or metal etching



位置固定
fixed position



拆解图
Disassembly diagram

