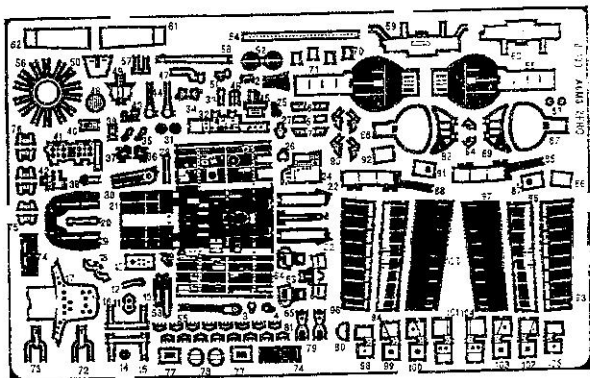




Mitsubishi A6M3 Zero 32

1/72 scale detail set for Hasegawa (NEW) kit

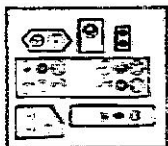
72 130



OPPOSITE SIDE

REMOVE

BEND



72 127-72 130

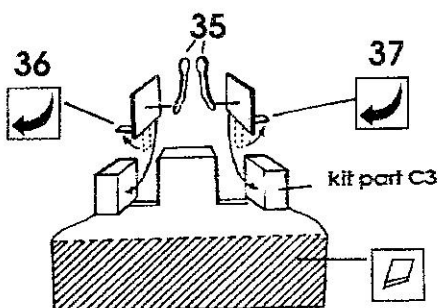
CAUTION I

PLASTIC PARTS CAN ONLY BE GUILTY
 THE WORKING PARTS CAN ONLY BE GUILTY
 THE WORKING PARTS CAN ONLY BE GUILTY
 THE WORKING PARTS CAN ONLY BE GUILTY
 THE WORKING PARTS CAN ONLY BE GUILTY

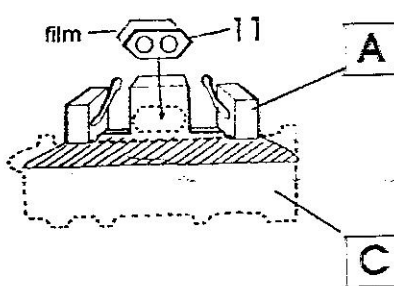
POZOR I

KOVANE DÍLY LZE LEPIŤ POLZE
 KOVANE DÍLY LZE LEPIŤ POLZE
 KOVANE DÍLY LZE LEPIŤ POLZE
 KOVANE DÍLY LZE LEPIŤ POLZE
 KOVANE DÍLY LZE LEPIŤ POLZE

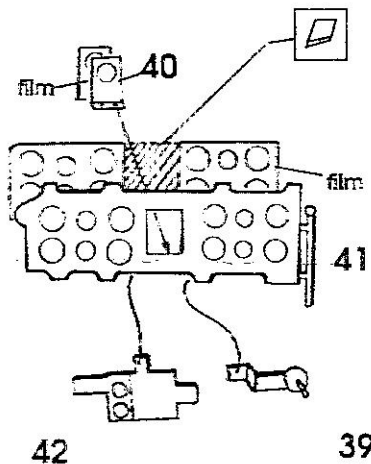
A INSTRUMENT PANEL



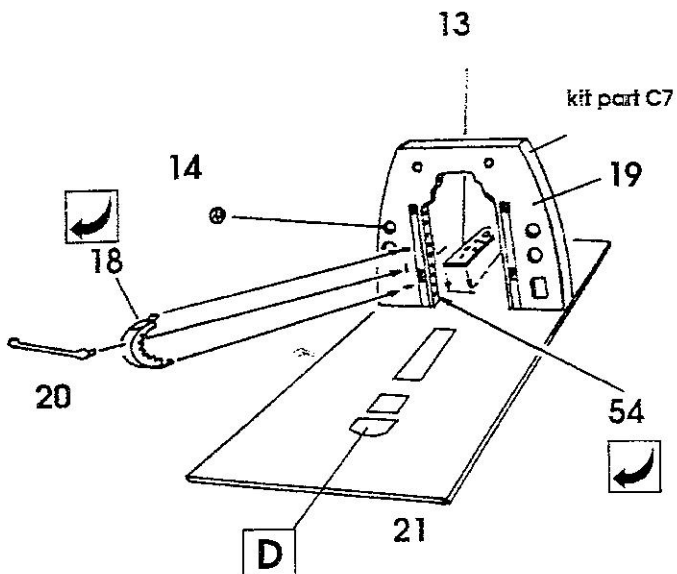
B



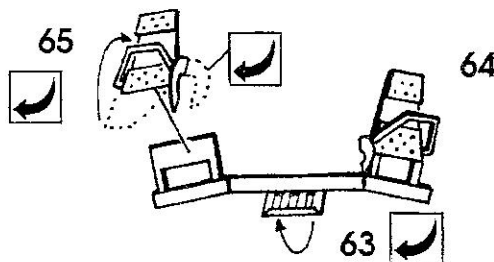
C



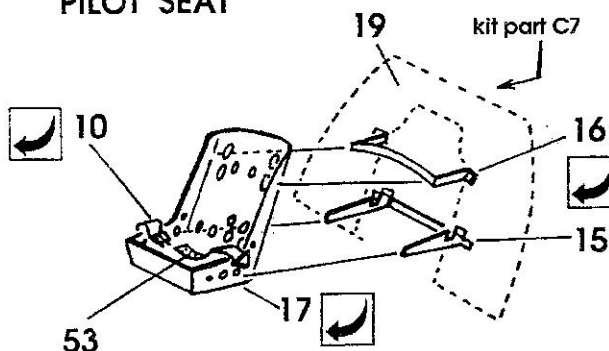
INTERIOR ASSEMBLY and ARMOURED PLATE



D RUDDER PEDALS

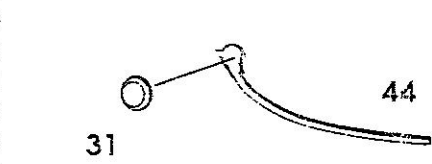
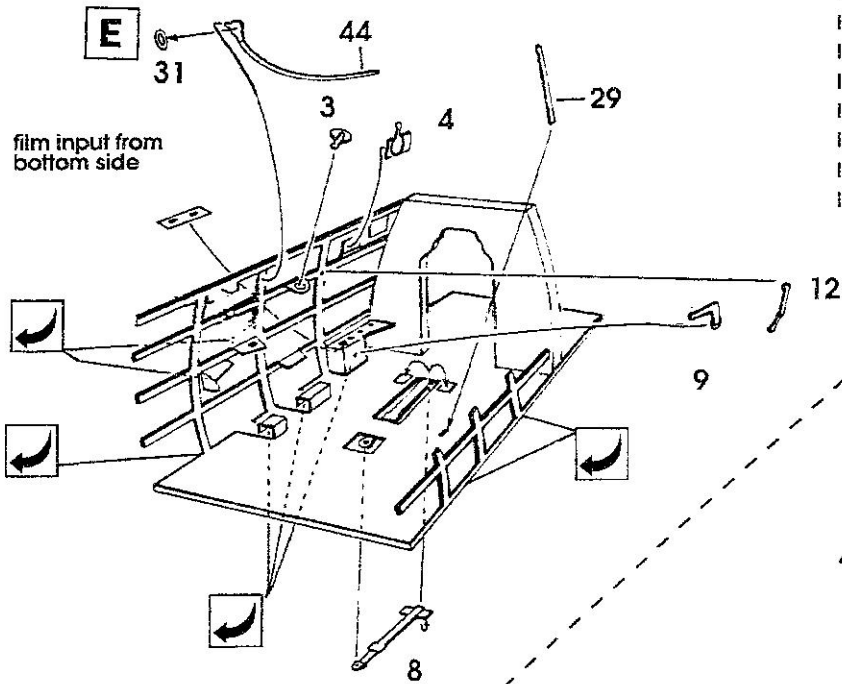


PILOT SEAT

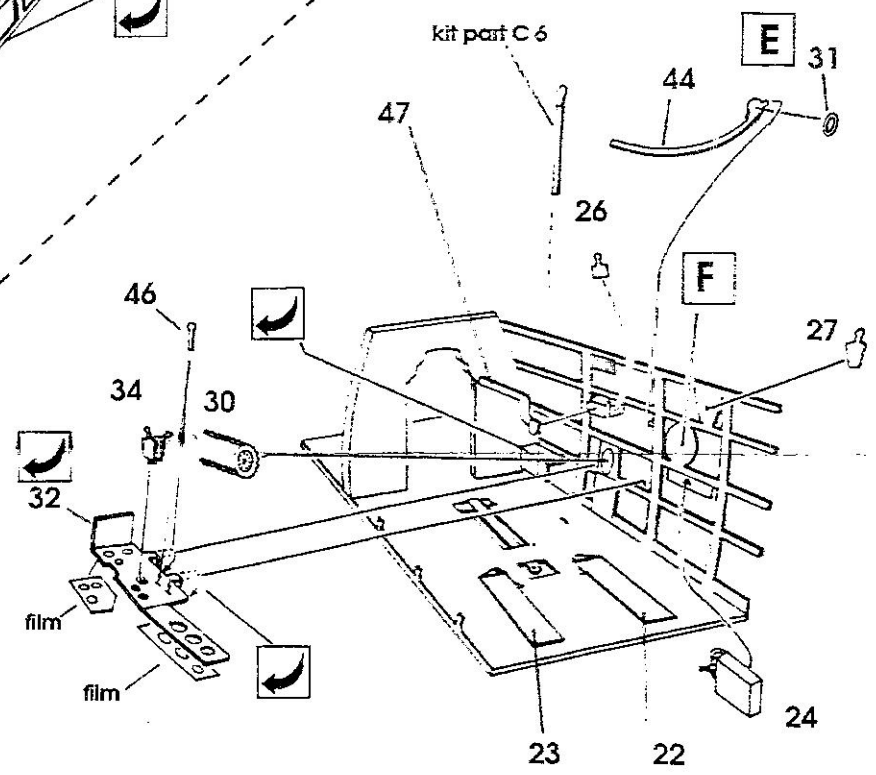
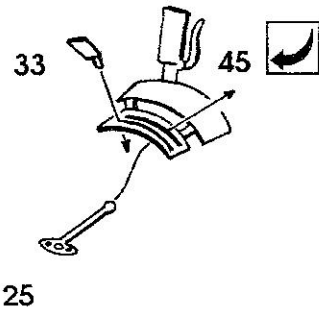


COCKPIT INTERIOR ASSEMBLY

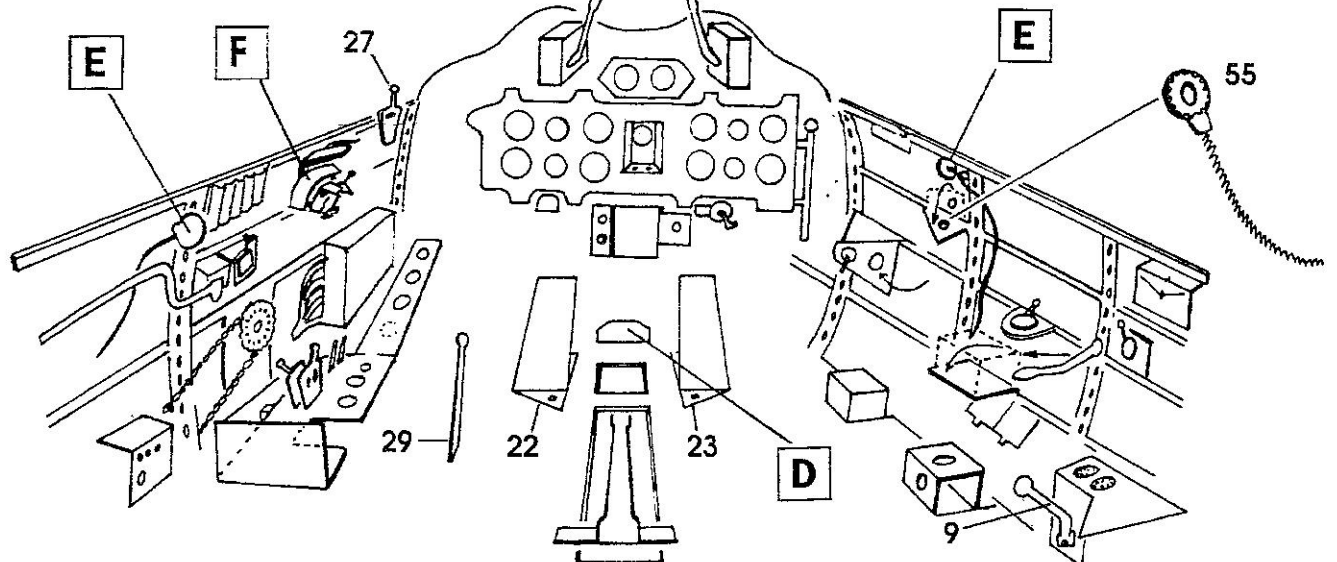
E INTERIOR LIGHT



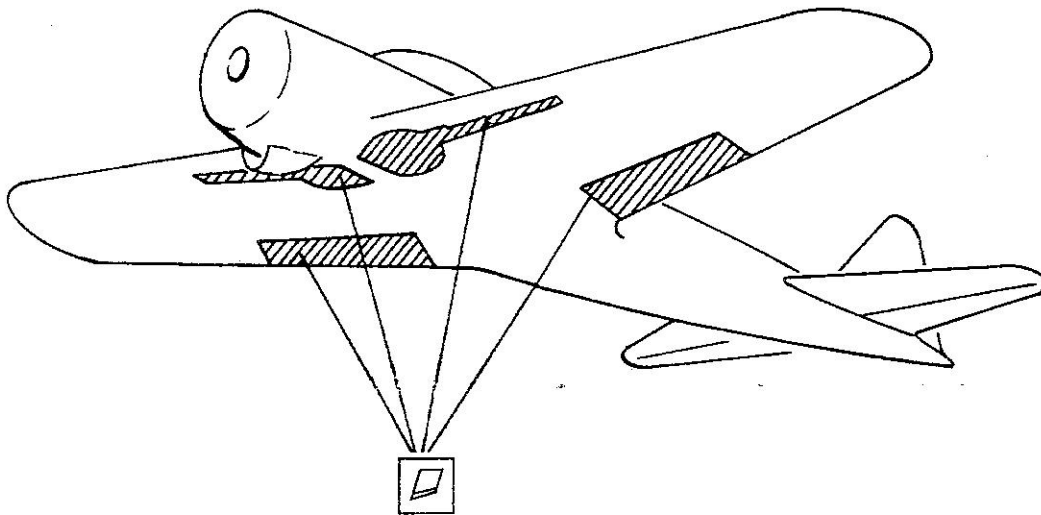
F CONTROL LEVERS



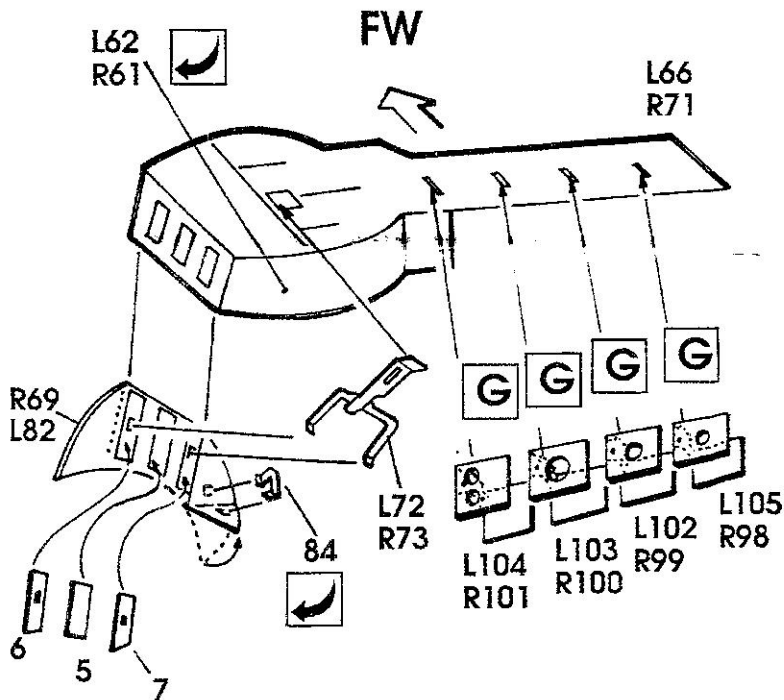
COCKPIT INTERIOR ASSEMBLY



REMOVE PARTS



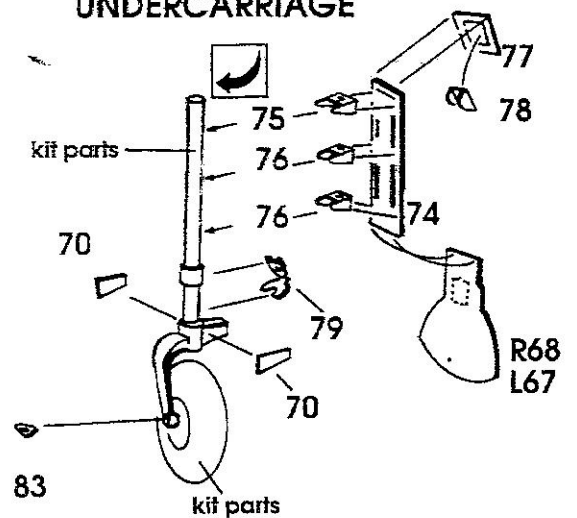
H WHEEL WELL ASSEMBLY



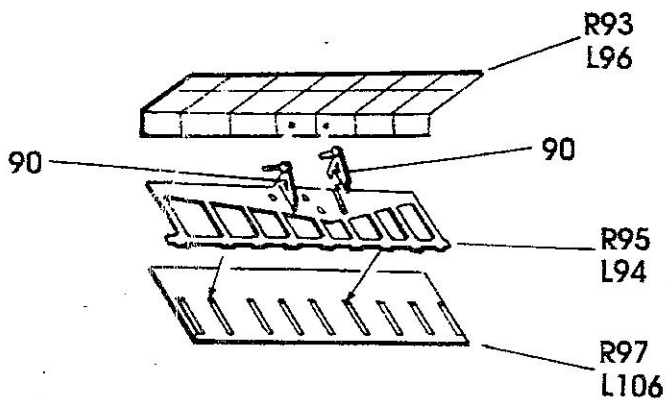
G



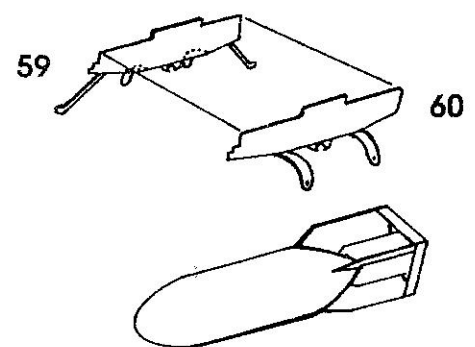
UNDERCARRIAGE



J FLAPS

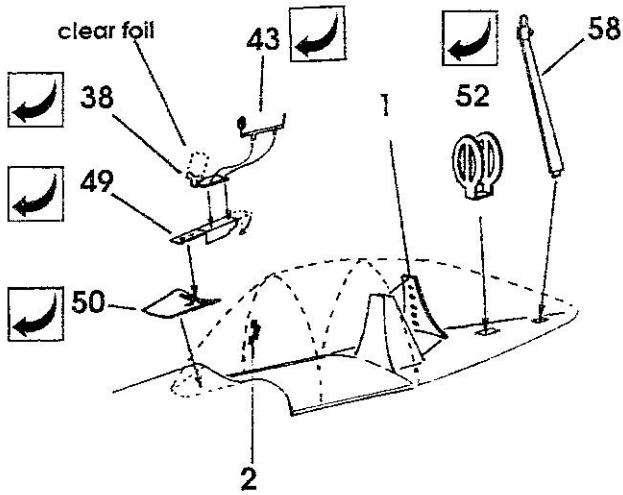


CENTRAL 250 kg BOMB PYLON

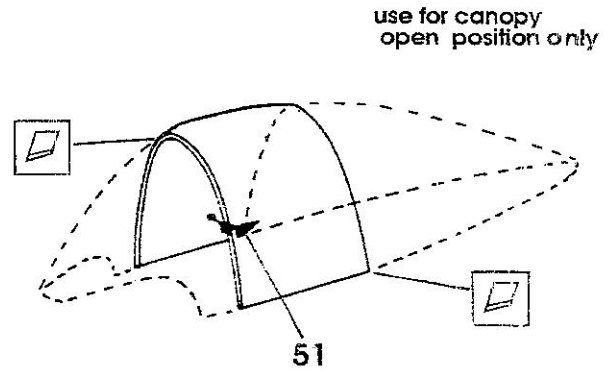


bomb isn't included

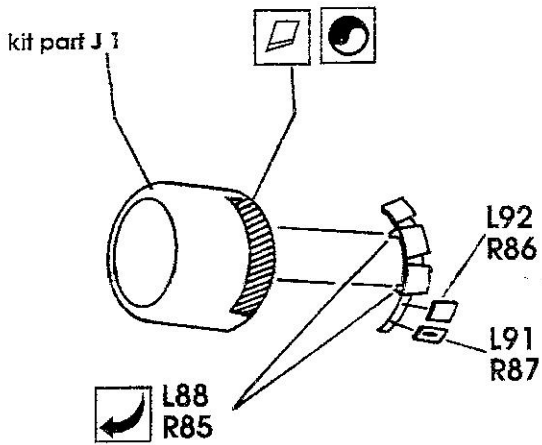
GUN SIGHT AND CANOPY DETAILS



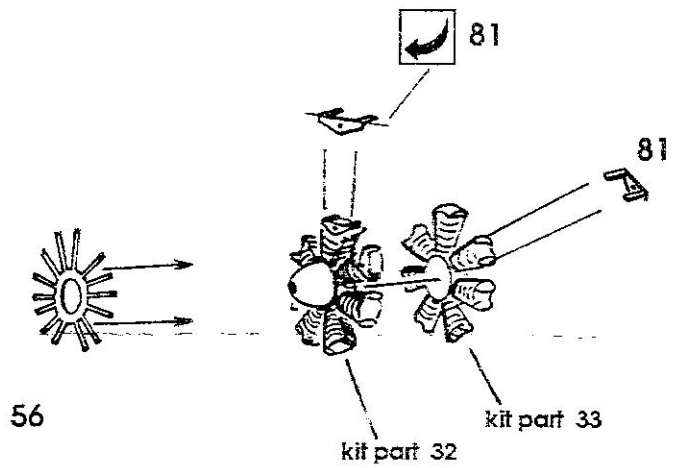
CANOPY LOCK



K ENGINE COWLING



L ENGINE DETAILS



UNDERCARRIAGE AND FLAPS

