



2S25 Sprut-SD Amphibious Light Tank

俄罗斯2S25“章鱼”-SD轻型坦克

READ BEFORE ASSEMBLY:

- Study and understand these instructions thoroughly before beginning assembly
- When needed, remove photo-etch parts carefully using a modeling knife or photo etch sprue cutter, being careful not to damage or lose small parts.
- Take extra care in handling photo etch parts in order to avoid injury
- Apply instant cement sparingly to photo etch parts where instructed
- Tools recommended(not included in kit):Plastic and instant cements, sprue cutters,long nose pliers,modeling knife, small files, tweezers, pin vise & scissors. Soft cloth and sandpaper will also assist in construction
- Glue and paint are not included in the kit. Use plastic cement and hobby paints only. Color guide for purchasing paint is included in the kit.

装配之前仔细阅读

- 小心用模型锉刀锉平所有零件表面的注射浇口。
- 小心用刀片切下蚀刻片零件，不要遗失小零件。
- 用强力快干胶水粘合蚀刻片零件和金属轴。过量快干胶水使用可能导致可动零件会粘住，小心涂胶。
- 取蚀刻片时应特别注意安全，防止利边划伤手指。
- 某些零件表面需贴上水贴纸，请选择在装配的同时进行。
- 推荐模型工具(自备)：胶水，水口剪刀，长咀钳，刀片，锉刀，镊子，钳，钻，剪刀，瞬间快干胶。
- 软布同砂纸同时也是所需工具。
- 请使用塑料胶水和油漆，模型内不含。



使用强力胶
Cyanoacrylate glue



配重
Weight



钻孔
Make hole



切除
Cut / Remove



贴纸
Decal



锉平
File / Sand



选择
Option



不涂胶水
No cement



弯曲
Bend



先装
Install it first



填补
Repair

水贴纸的使用:

- 1.从水贴纸上剪下印花;
- 2.将印花放入温水中浸10秒,然后放在干净布上。
- 3.拿着印花纸板将印花移到模型上;
- 4.手指蘸水将印花移到适当的位置;
- 5.用软布轻压印花直至水干, 气泡消失

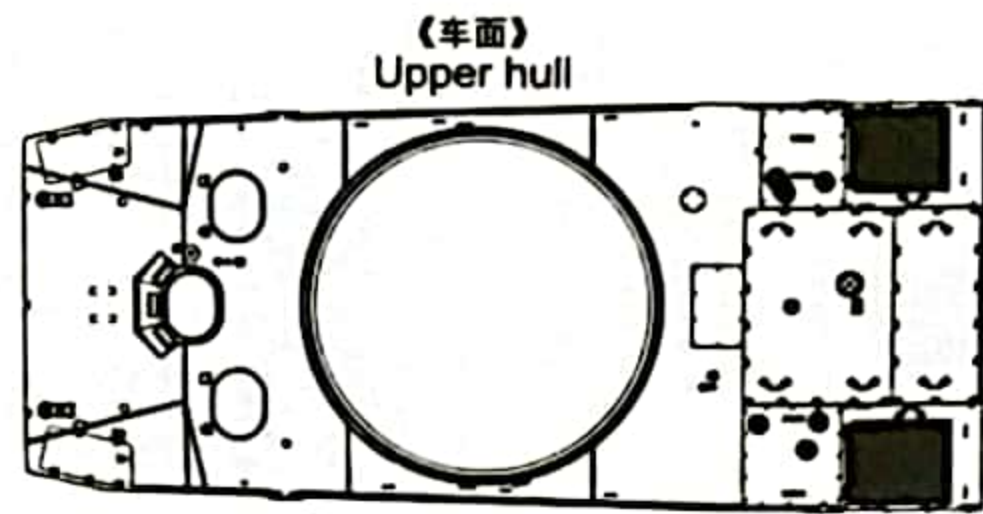
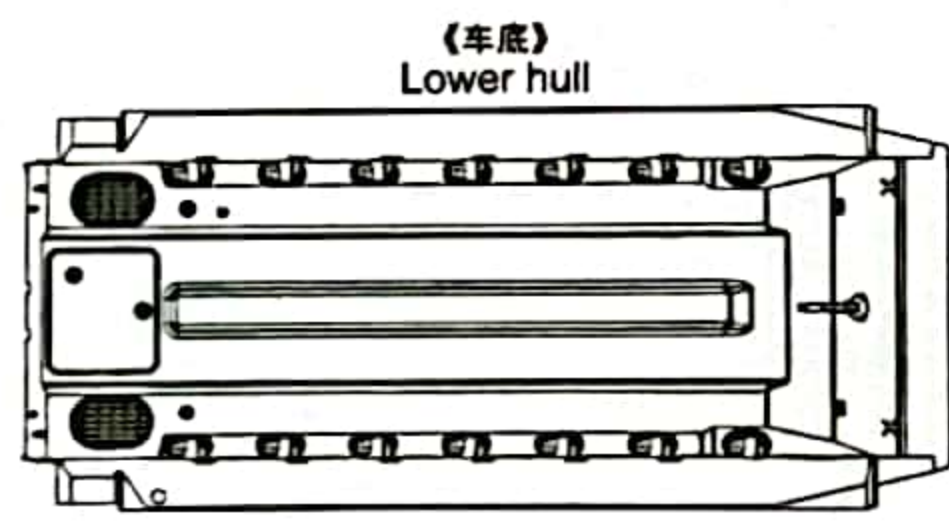
DECAL APPLICATION

- 1.Cut decals from sheet as needed
- 2.Dip the decal in warm water for about 10 seconds and then place on soft clean cloth.
- 3.Hold the decal backing sheet edge and gently slide the decal onto the model in its proper position.

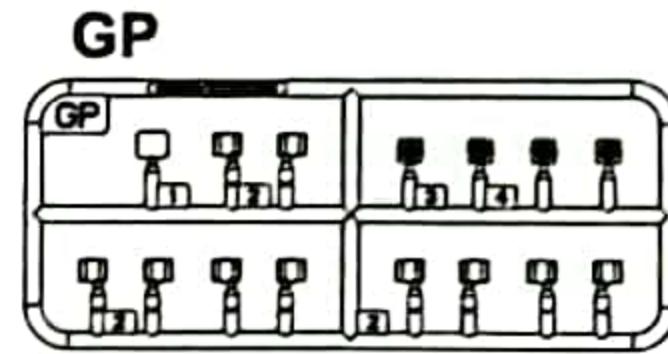
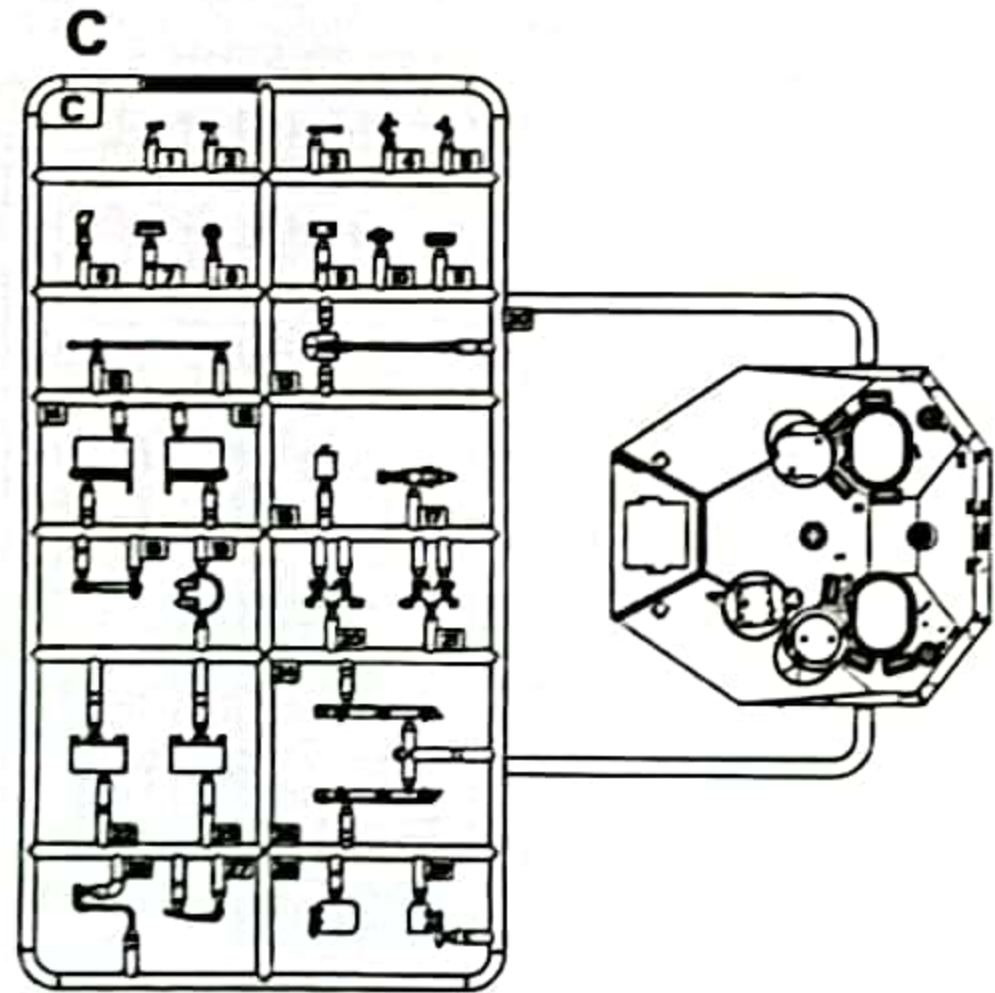
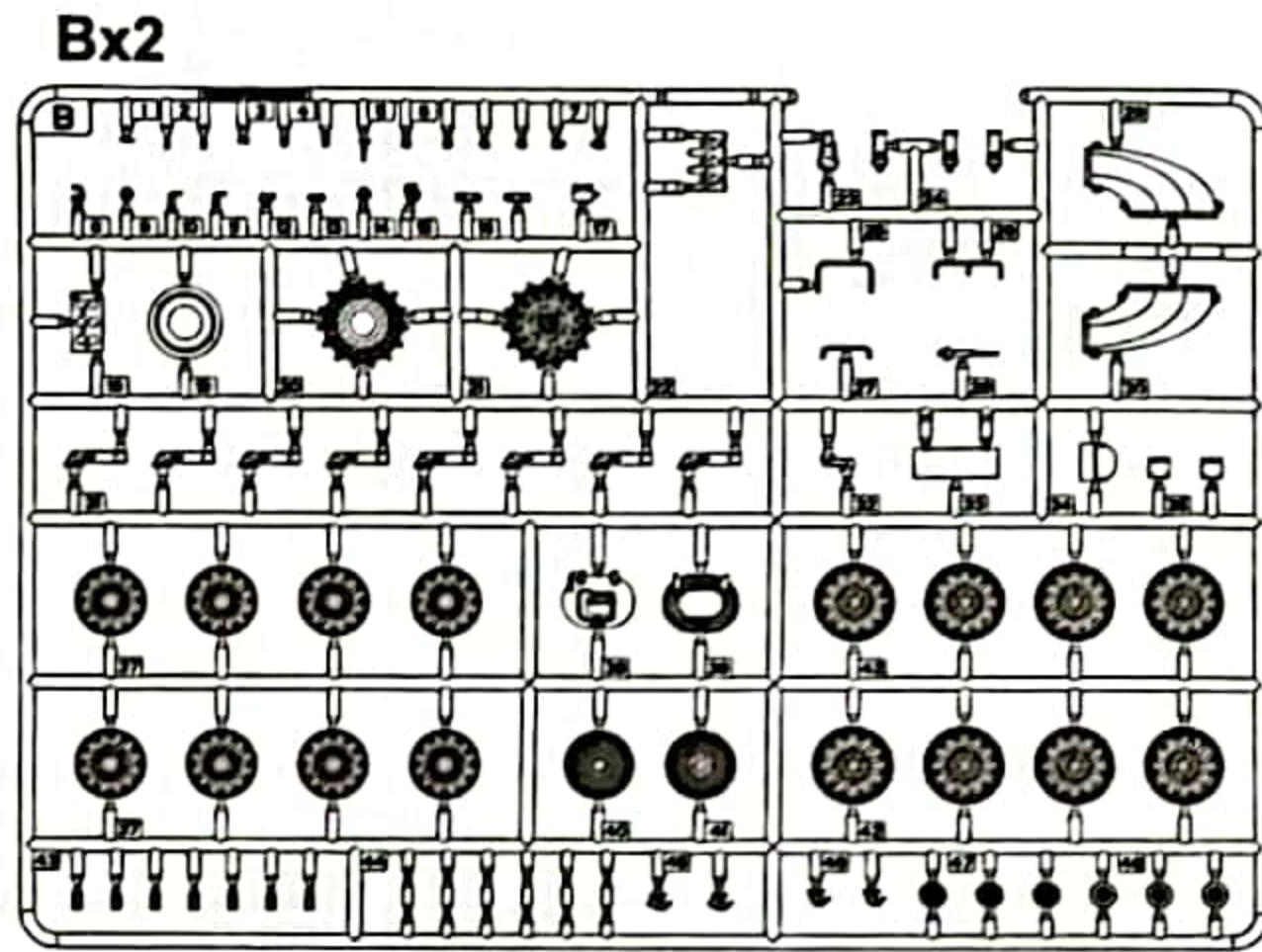
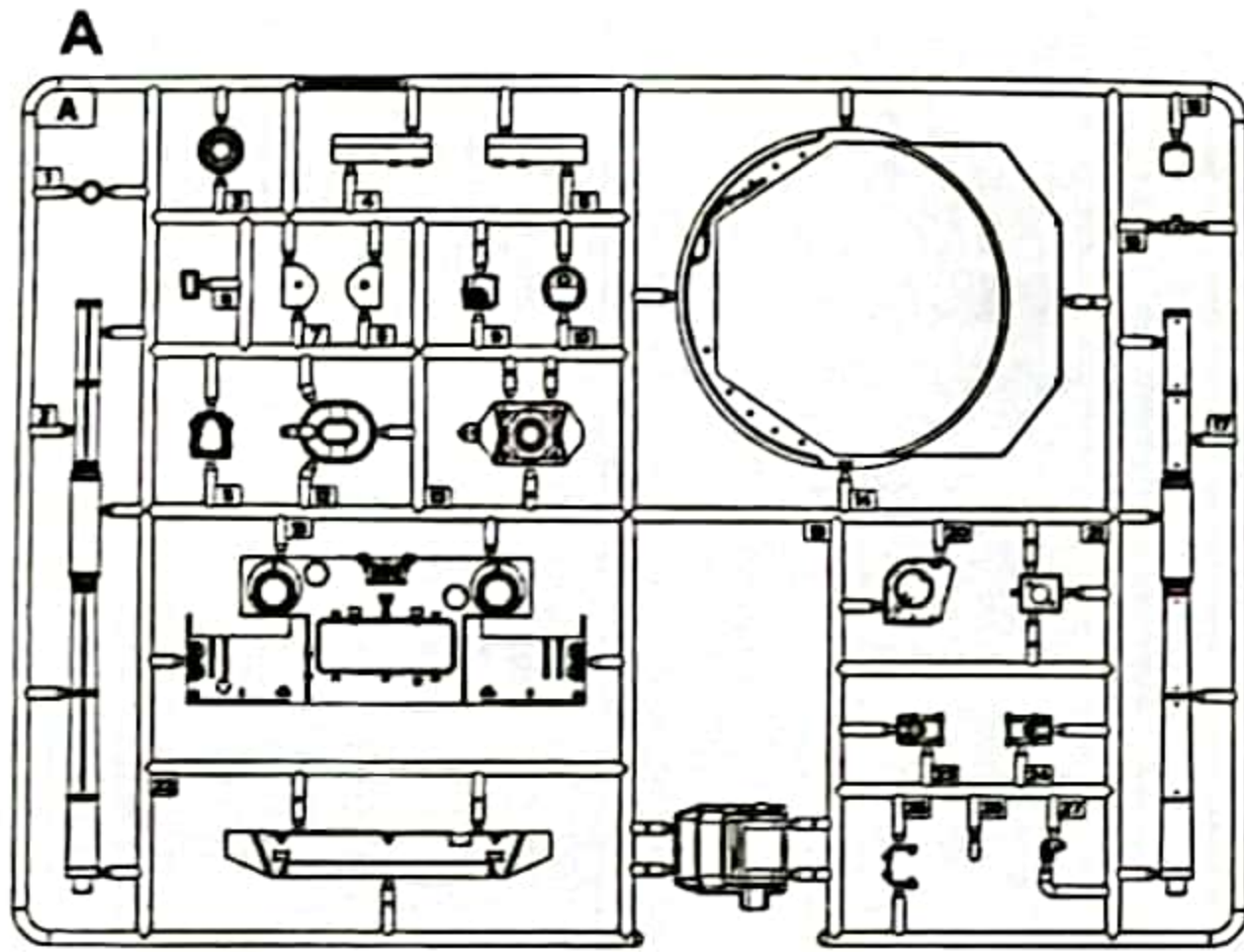
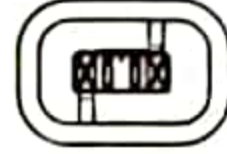
- 4.While still wet,decal can be adjusted for better fit on model by dampening it gently with your finger.
- 5.When placed in the proper position,gently press decal down with a soft cloth until excess water and air bubbles are gone.
- 6.Allow decal to dry completely before handling model

* 说明书中含有重要信息, 应保留。 Please Keep instruction since it contains important information.

部品图
Parts



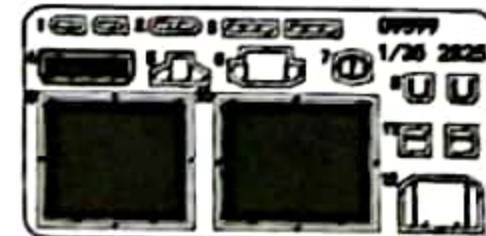
B36x2



《铜线》
Brass wire



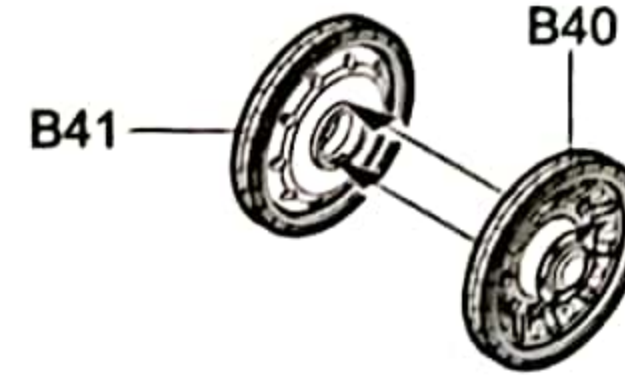
《蚀刻片》
PE



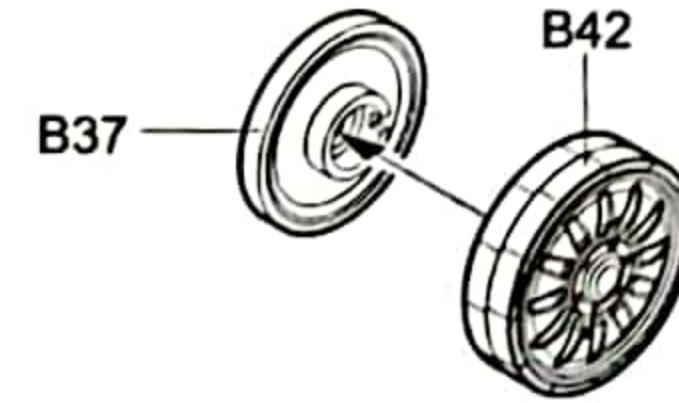
《水贴》
Decal



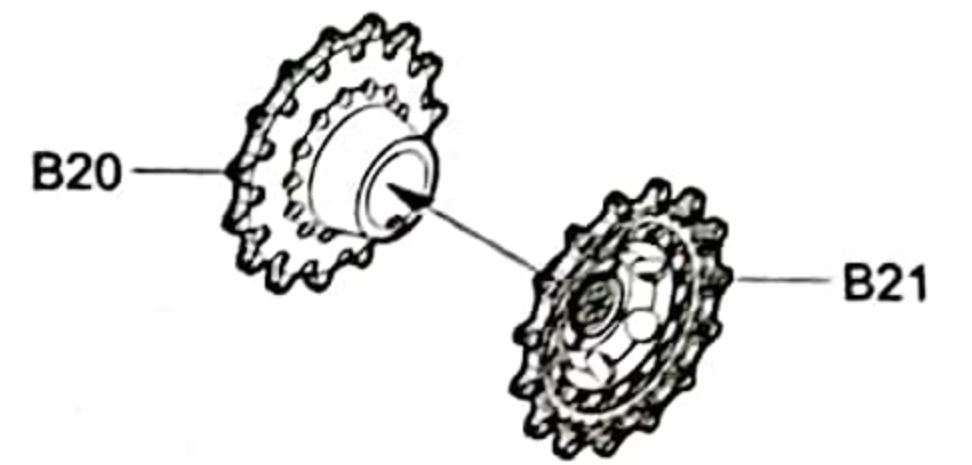
1



《诱导轮》
Idler wheel
制作2组
Make two

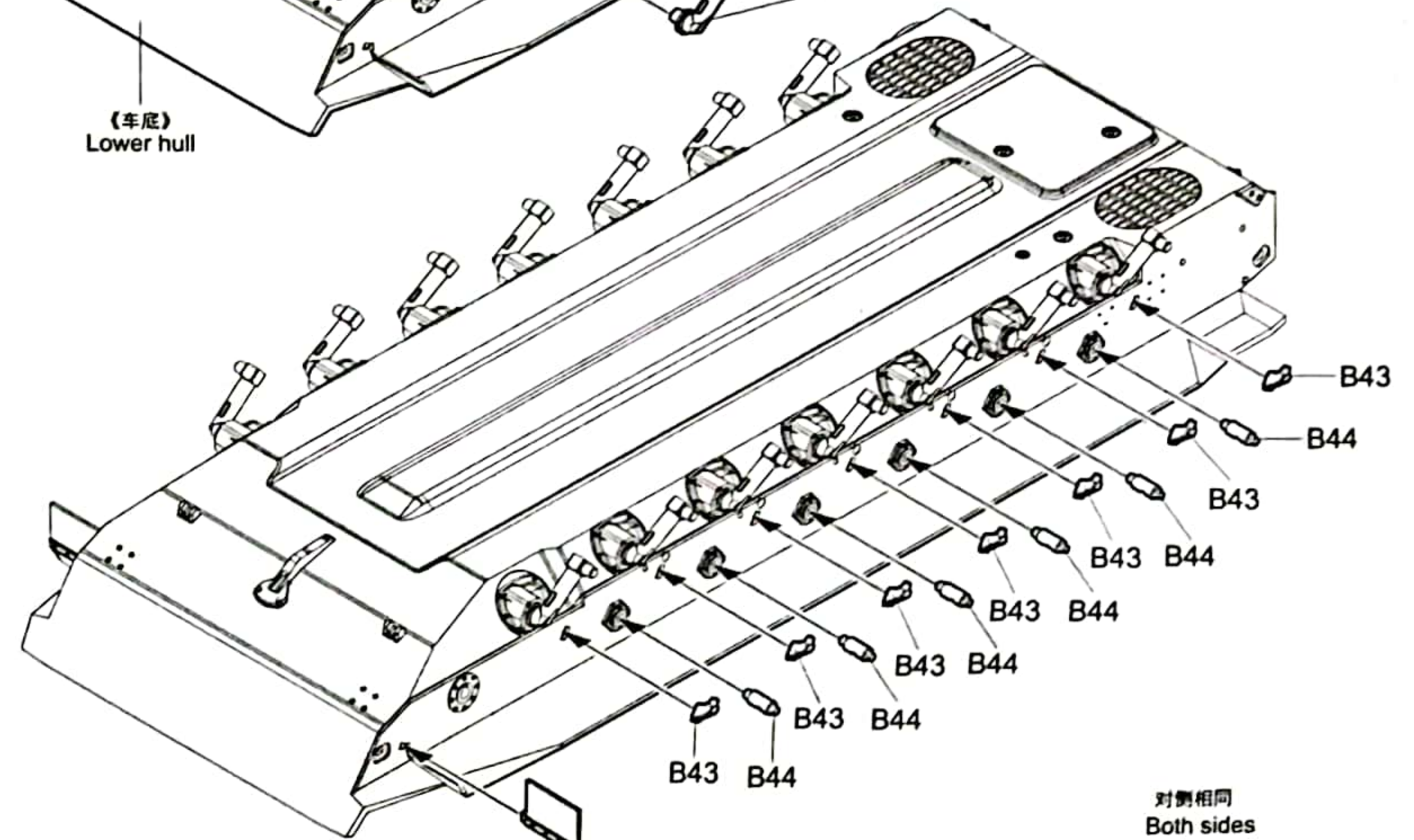
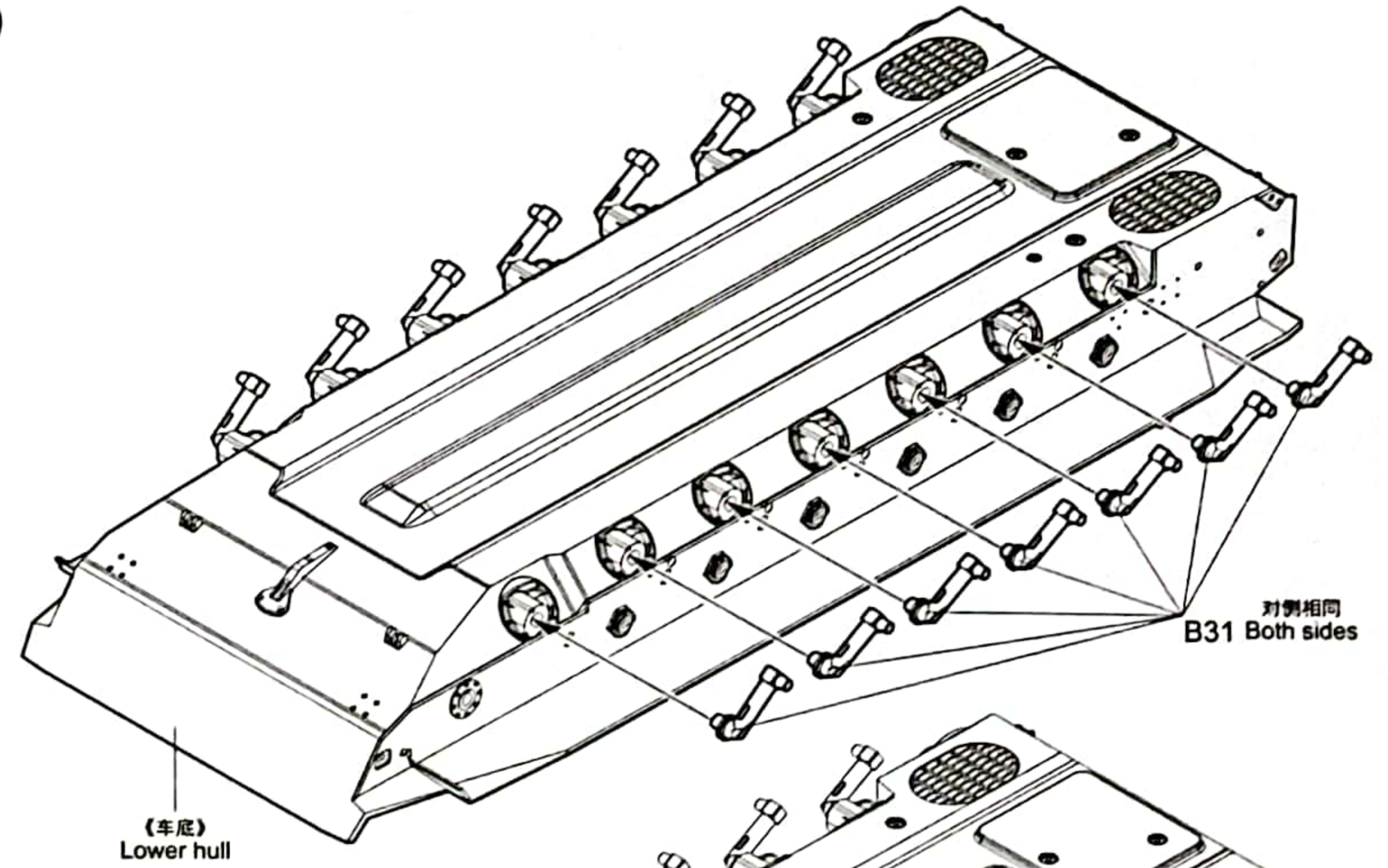


《负重轮》
Road wheel
制作14组
Make fourteen

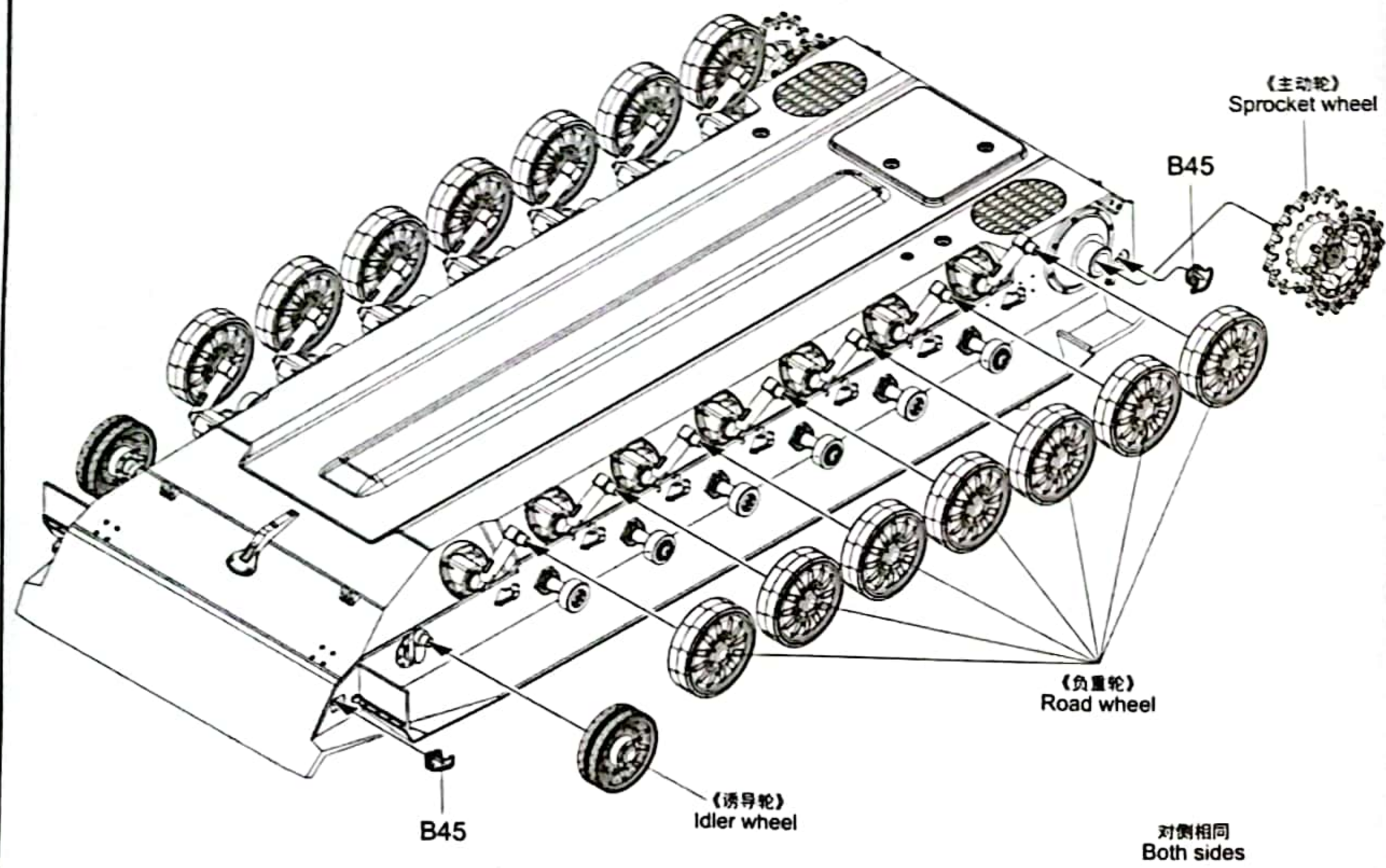
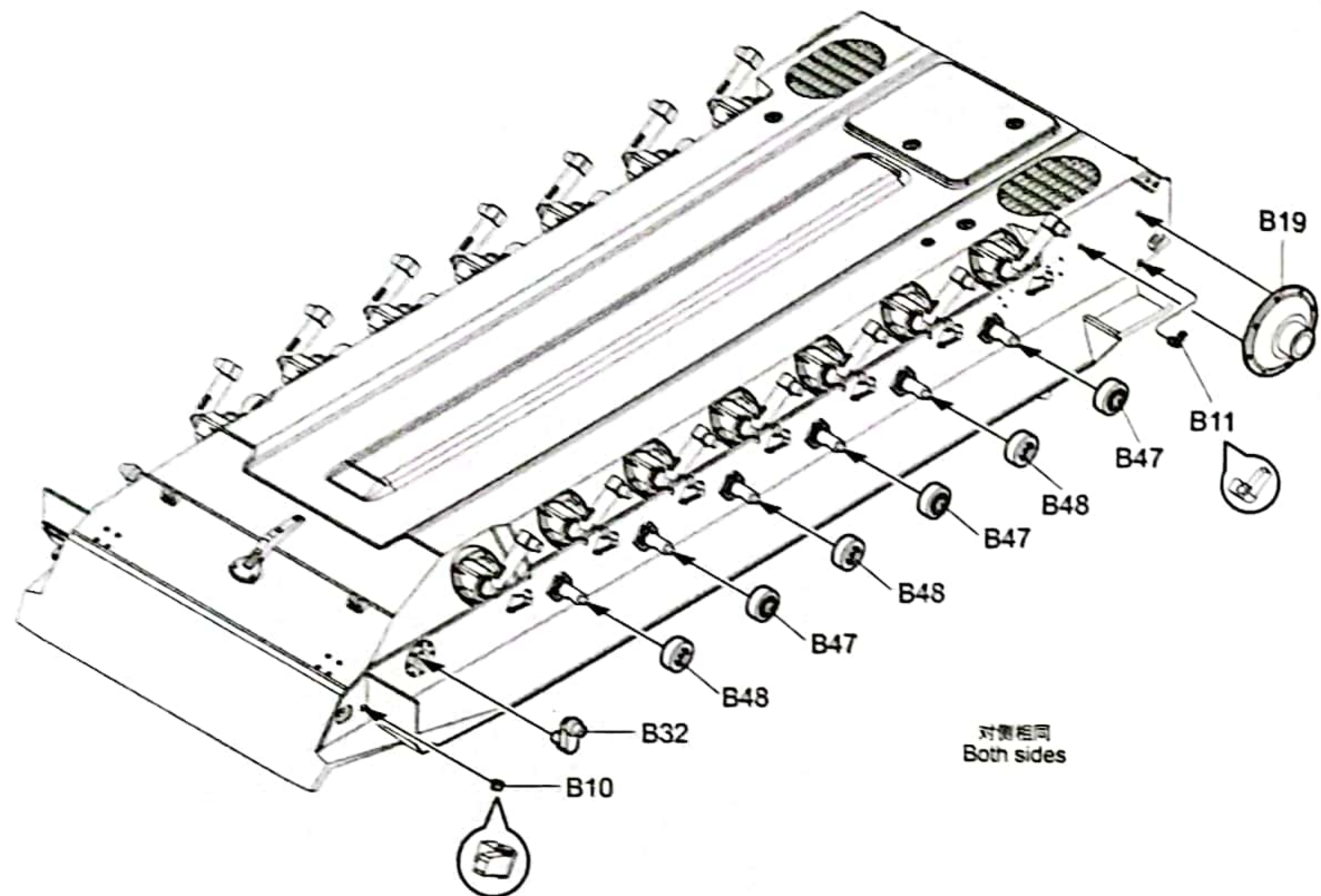


《主动轮》
Sprocket wheel
制作2组
Make two

2



3



4

履带联接
Track construction

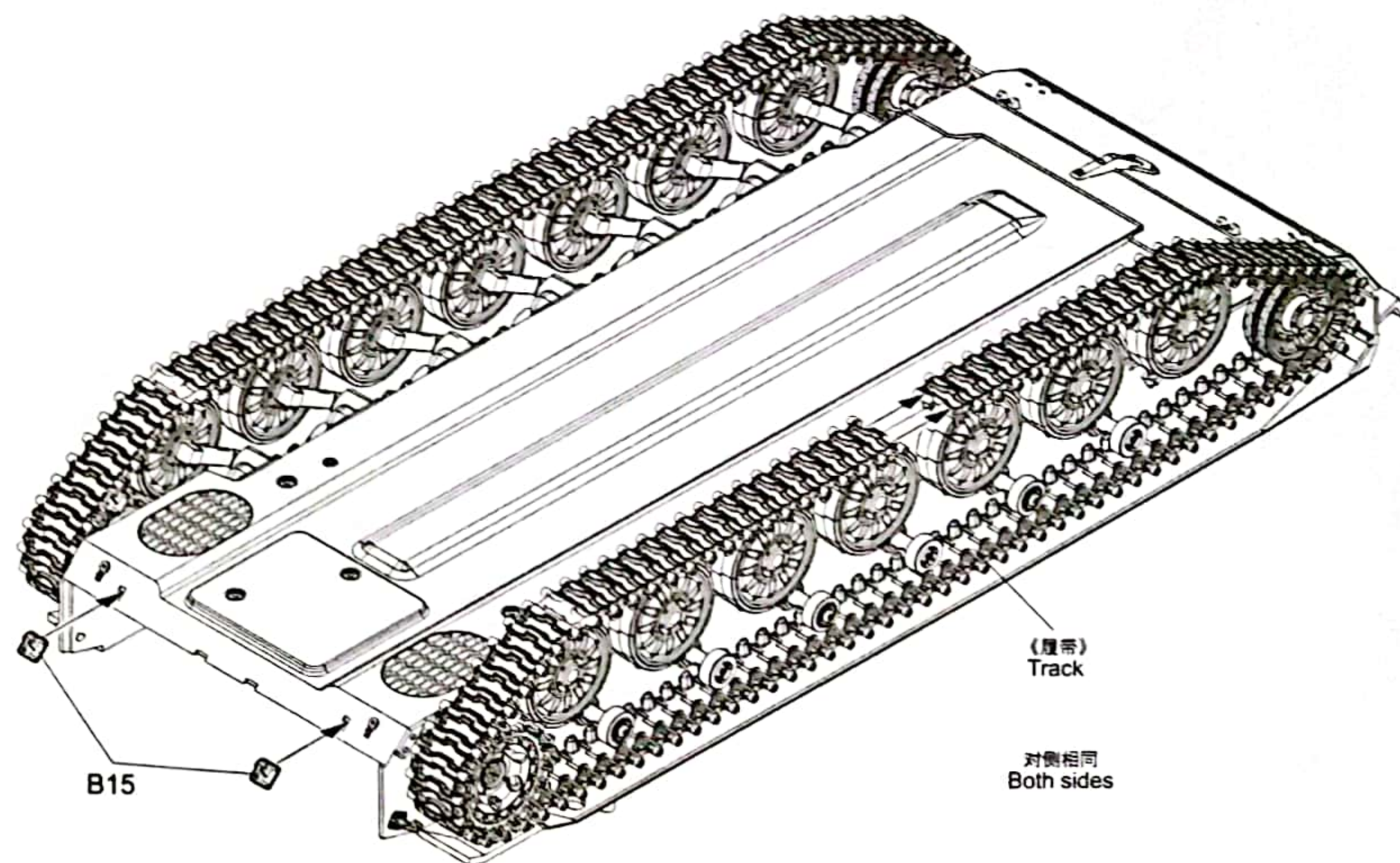
单侧履带需101节
Complete track for one side requires 101 links

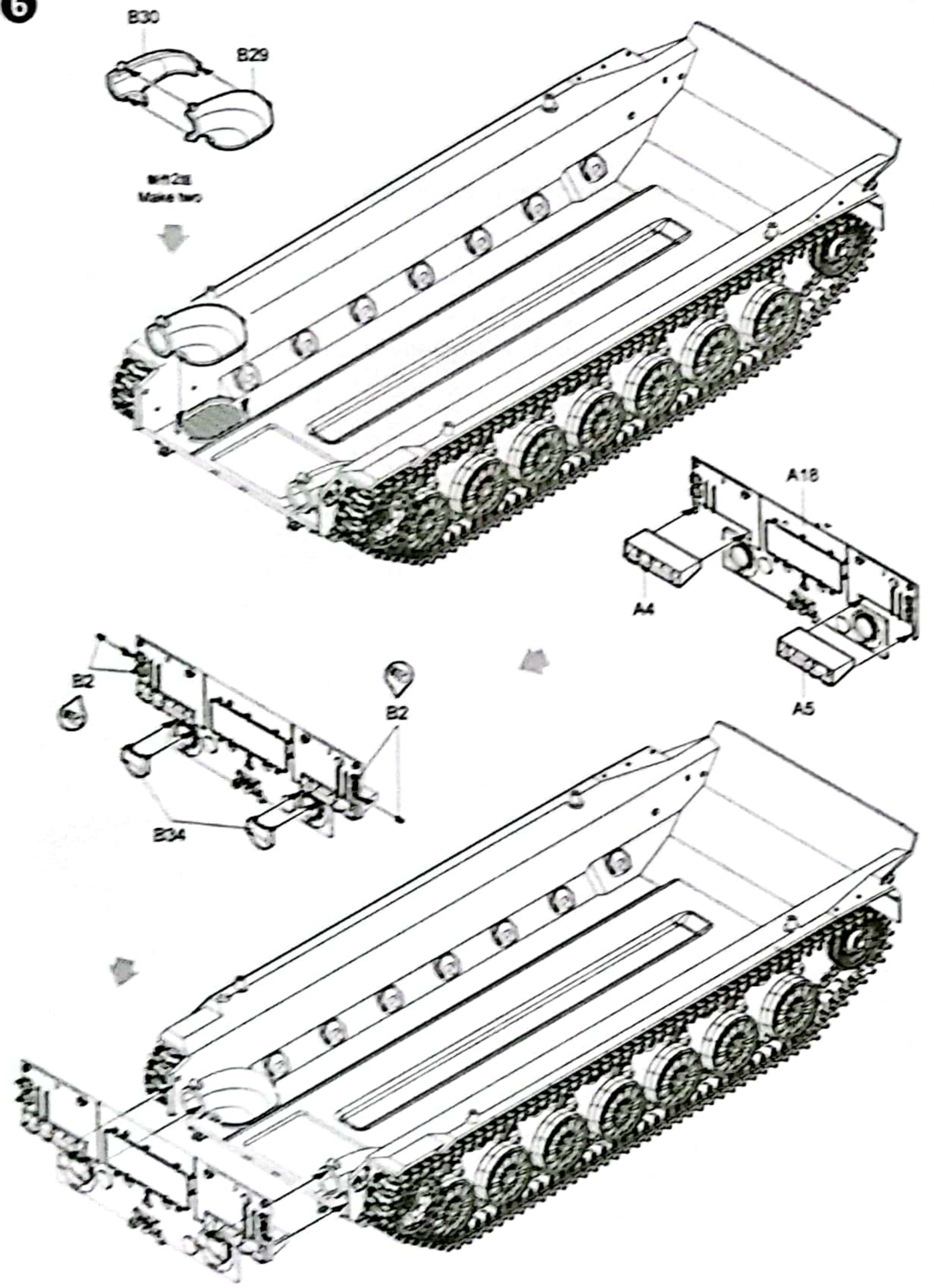


制作2组
Make two

5

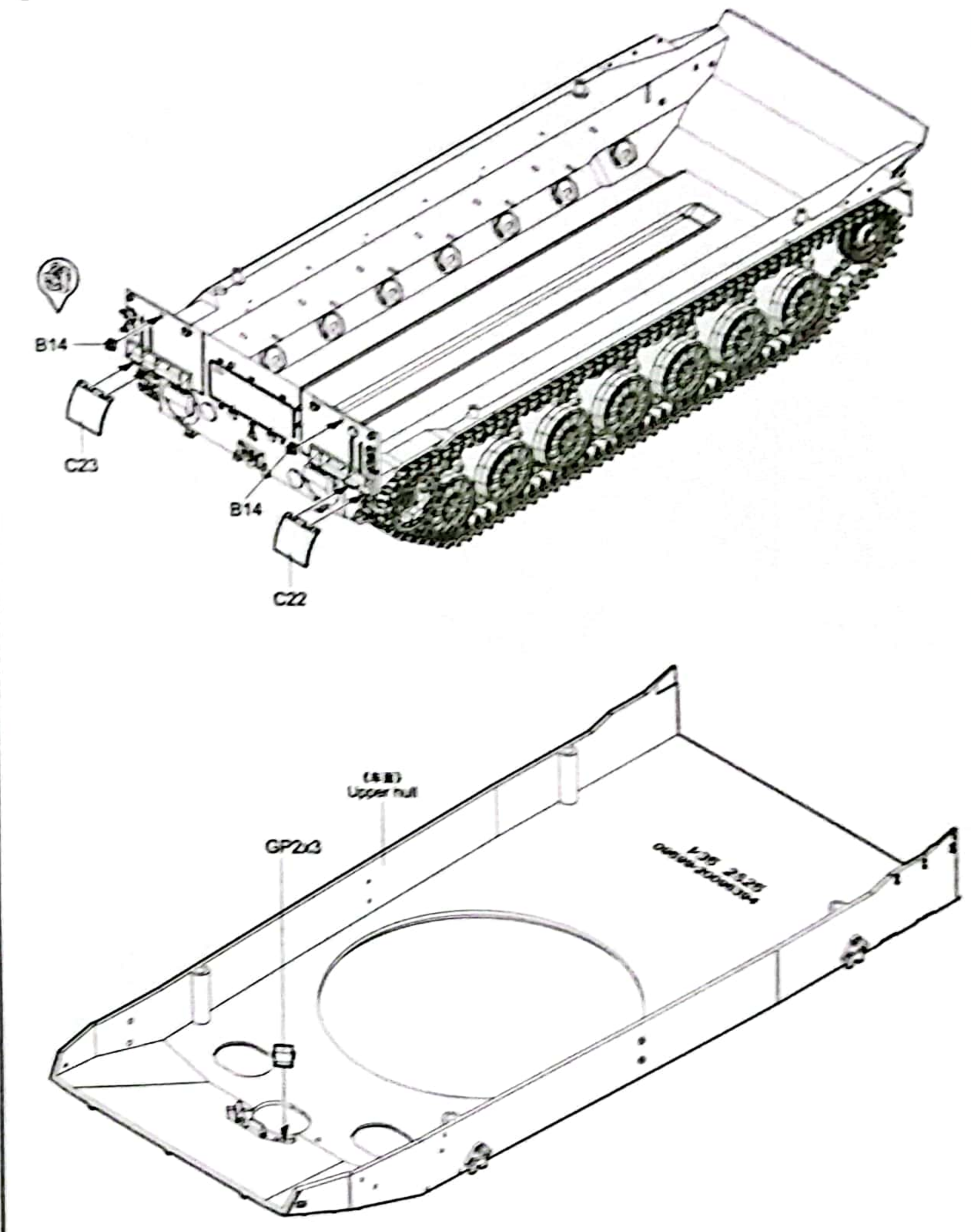
履带联接
Track construction



6

09599

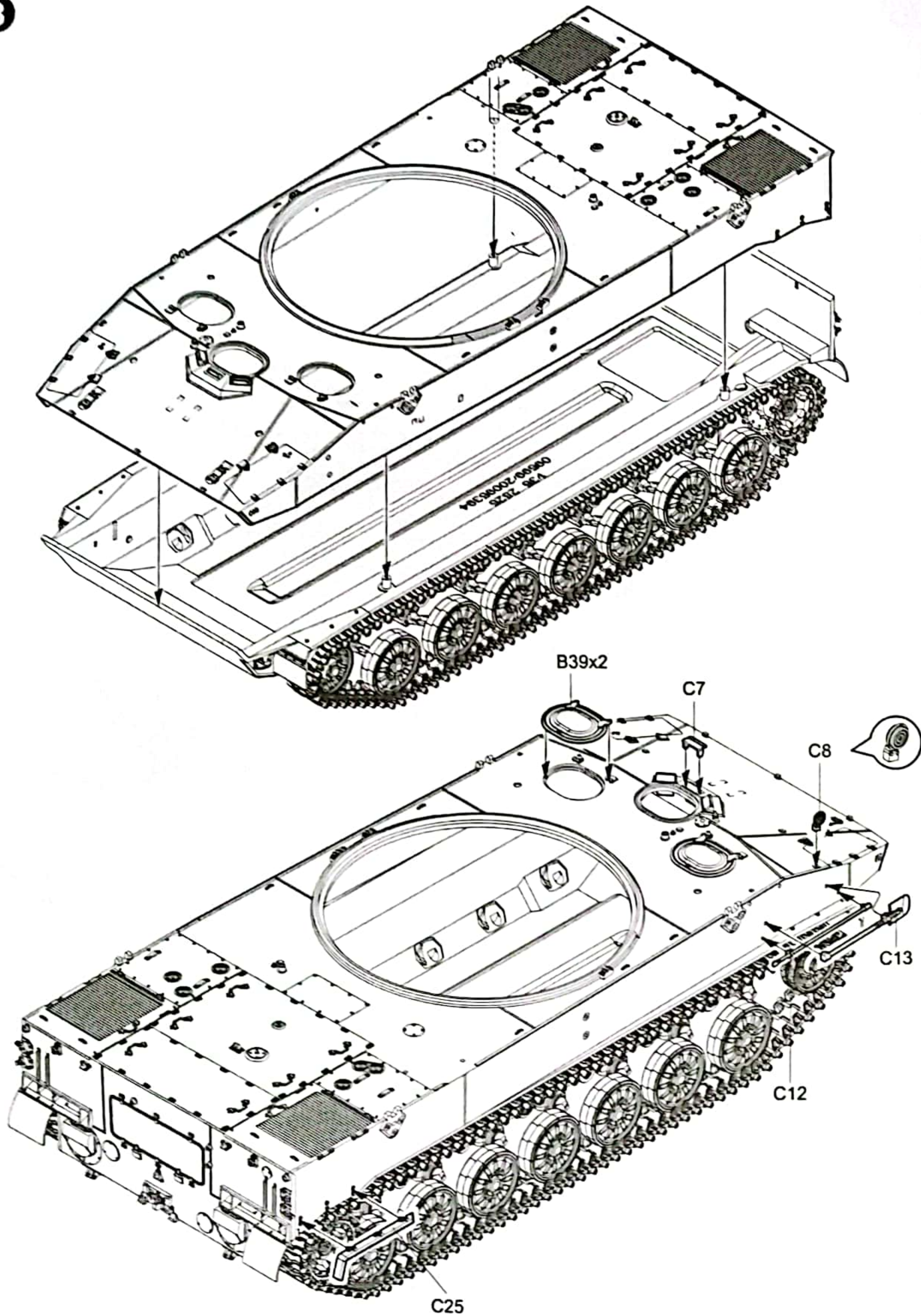
6

7

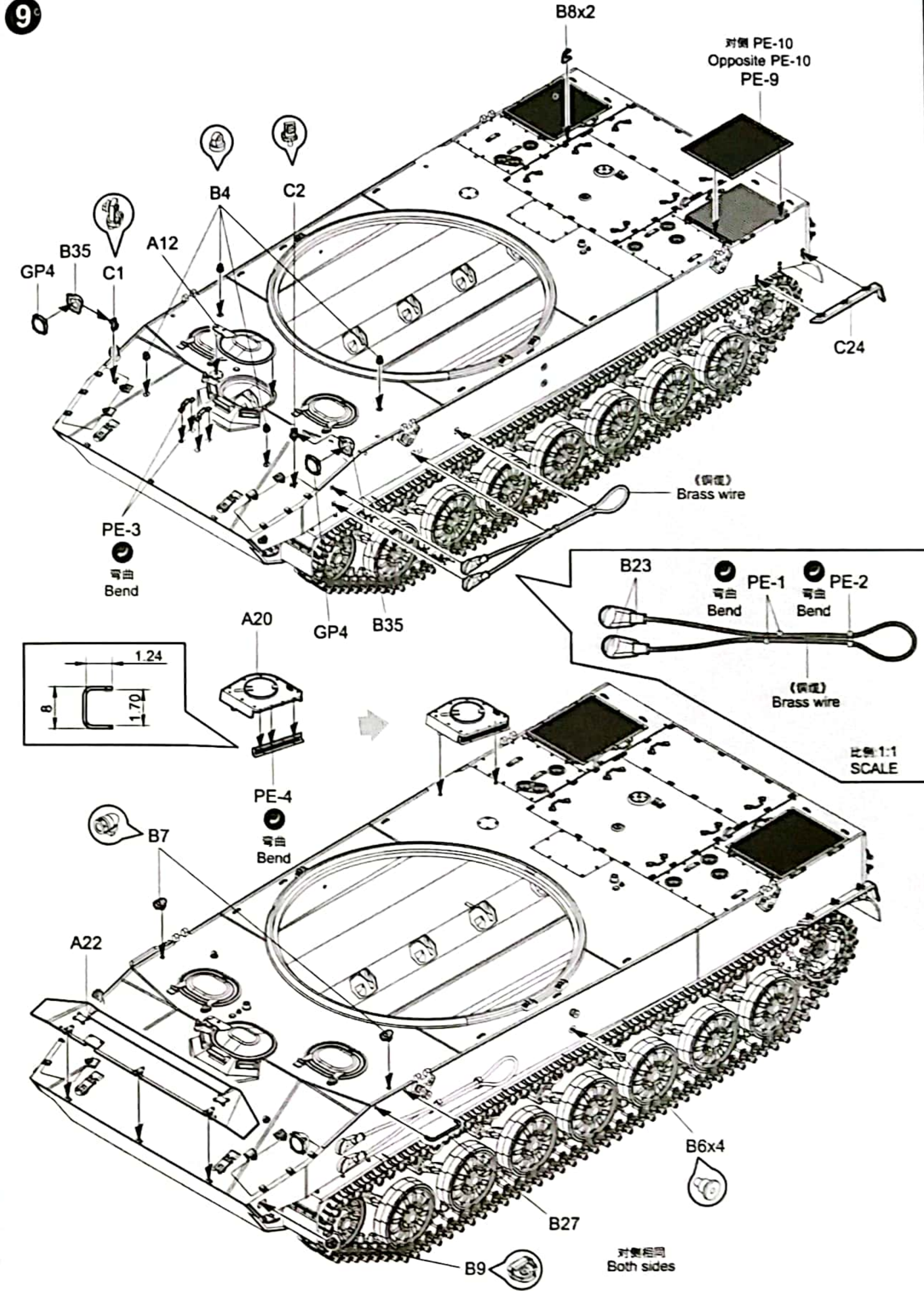
09599

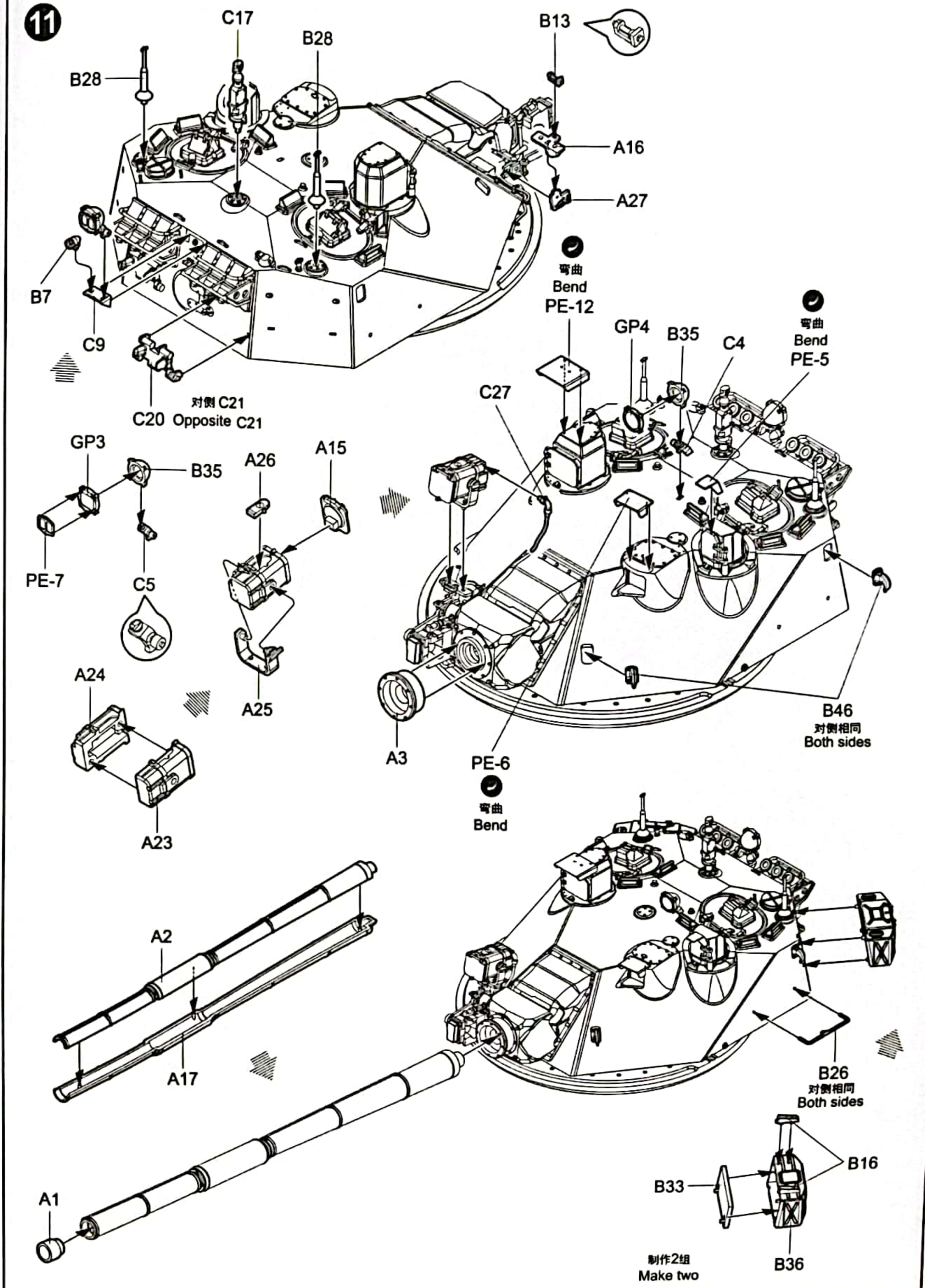
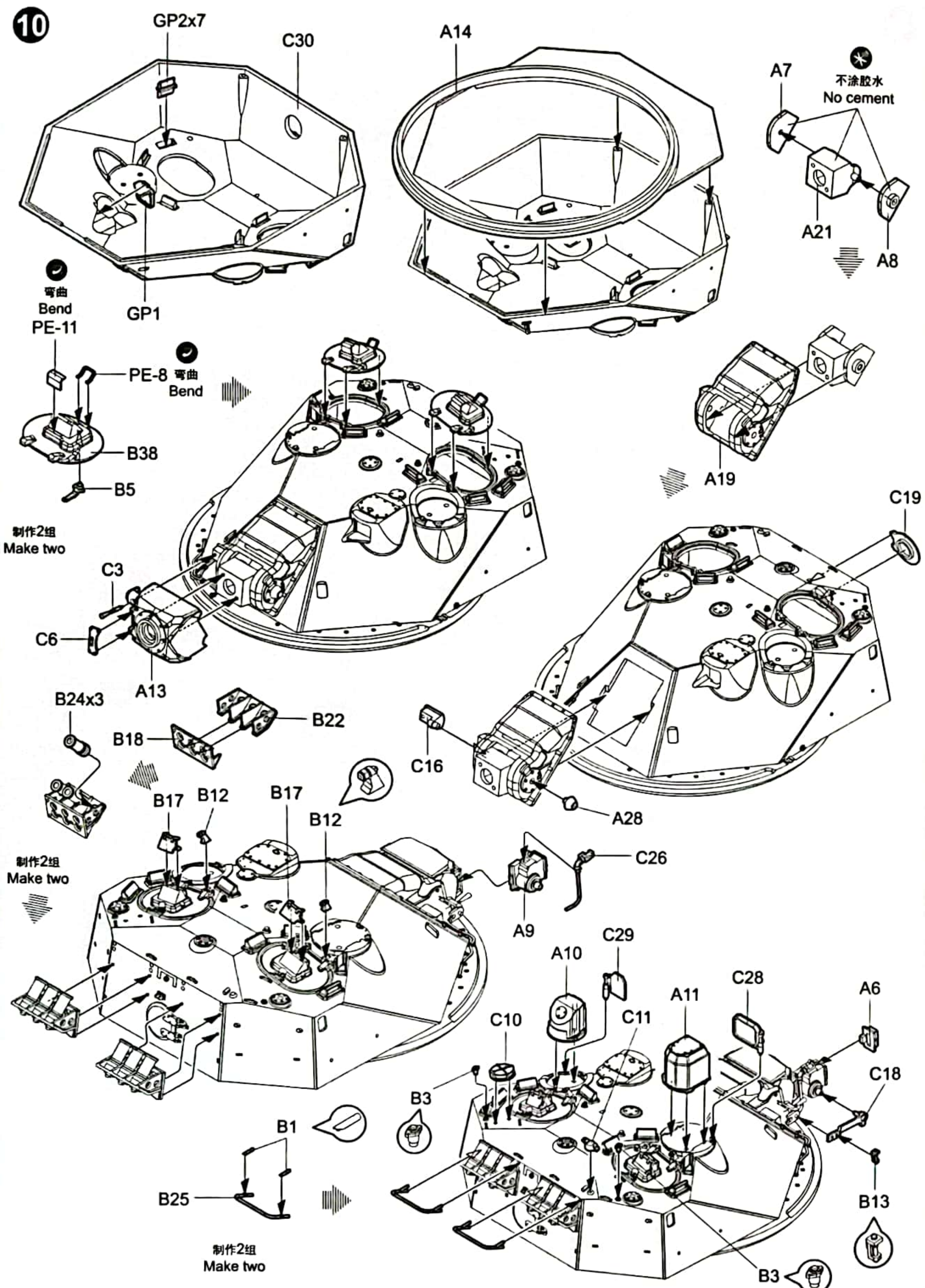
7

8

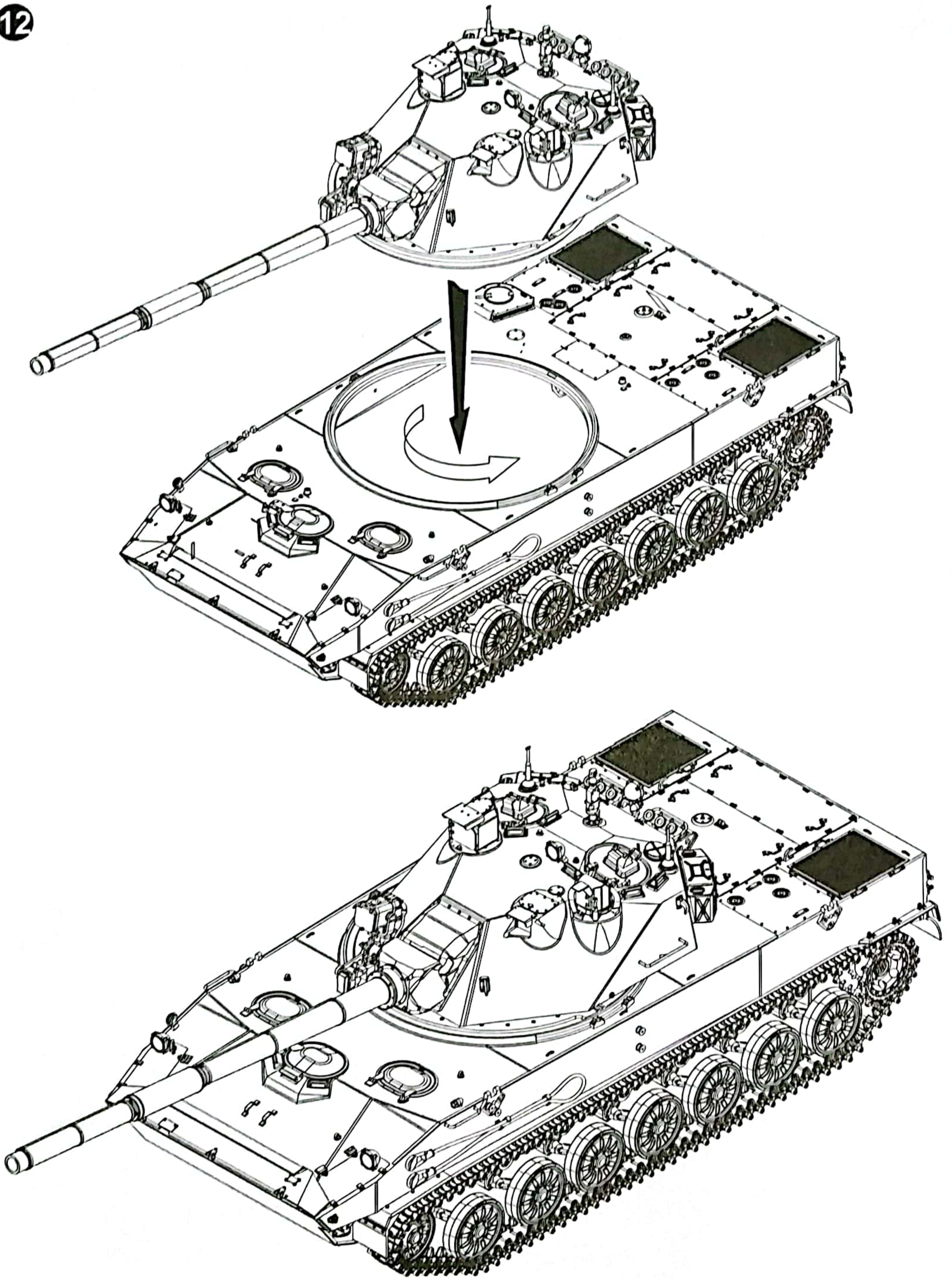


9





12

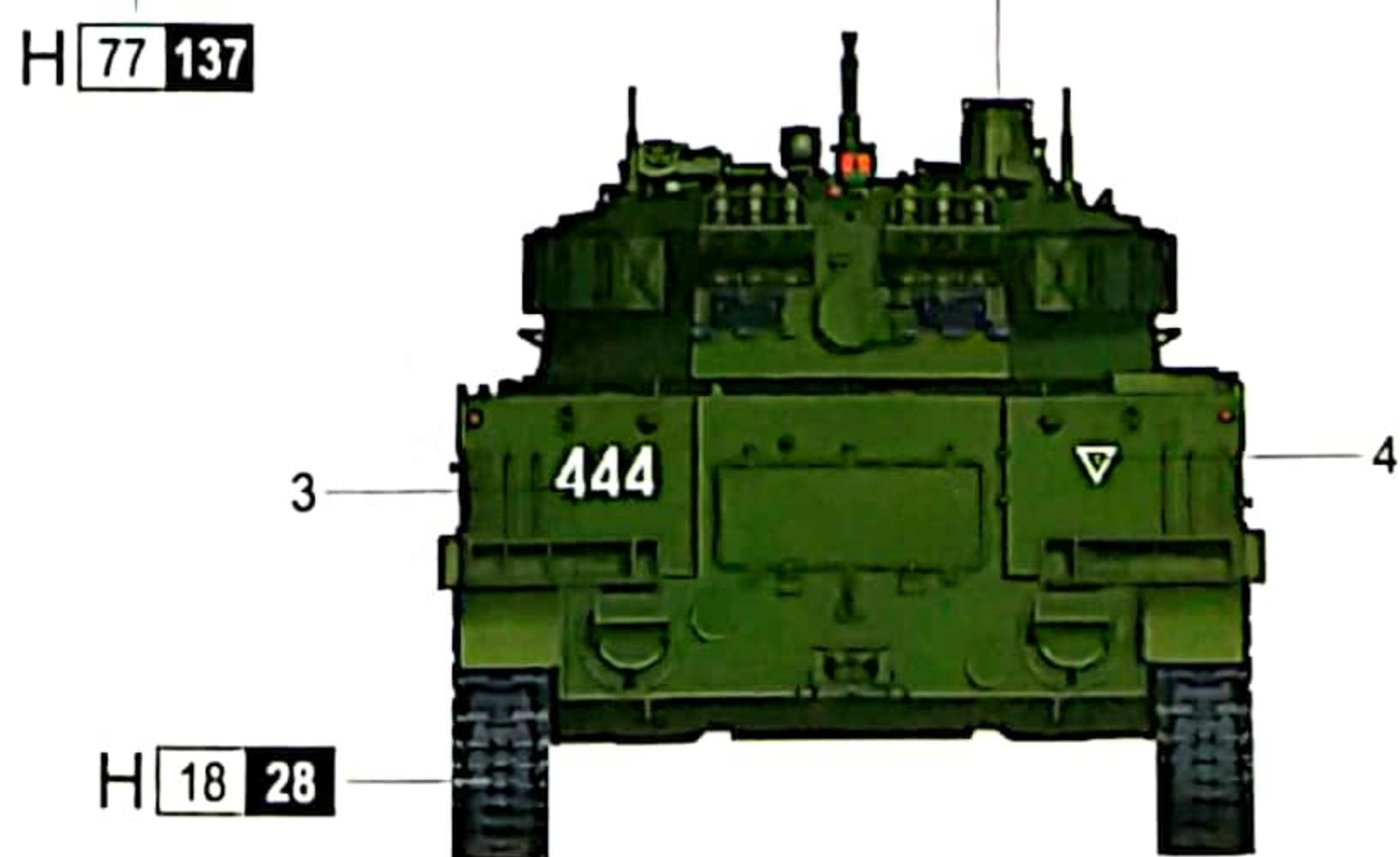
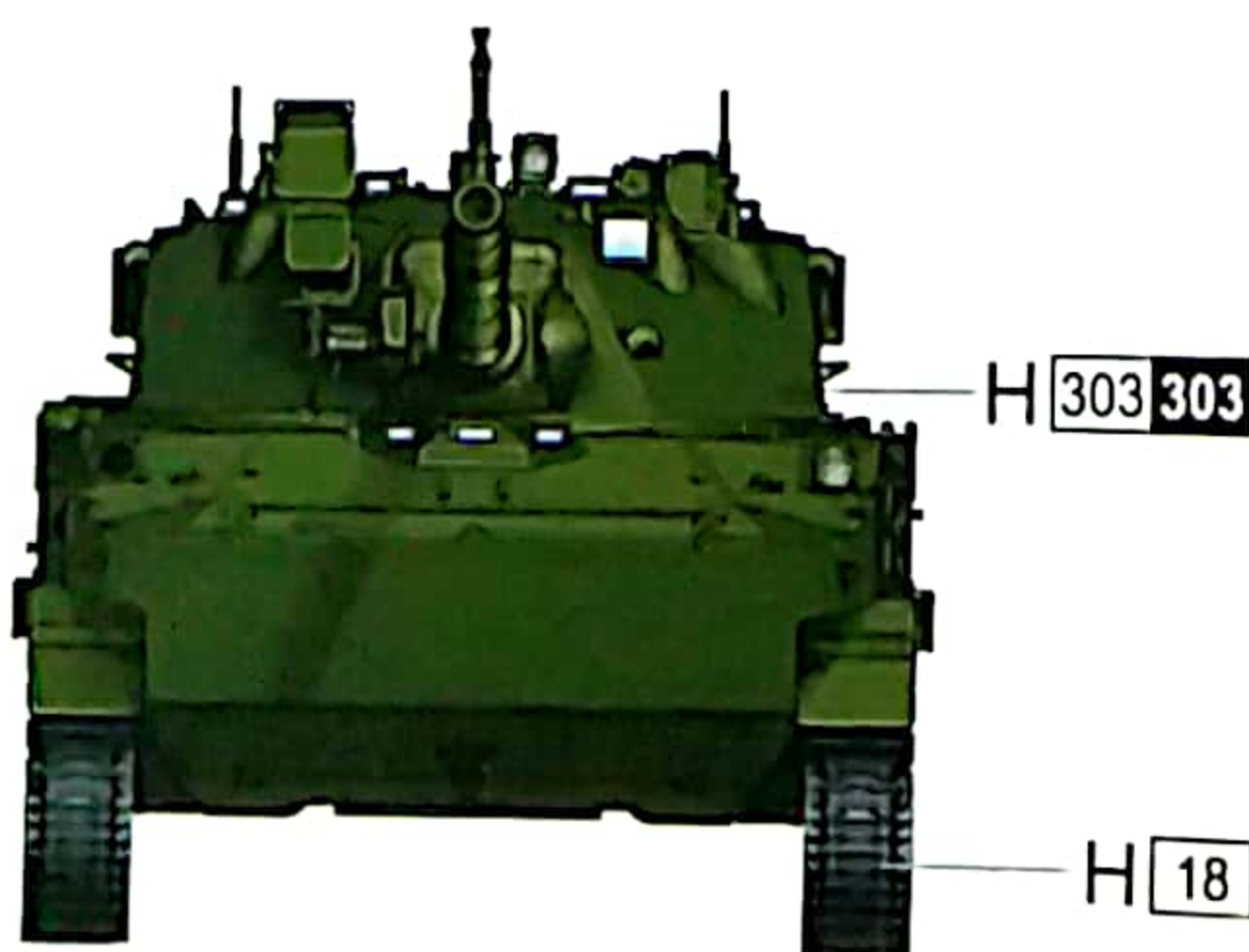
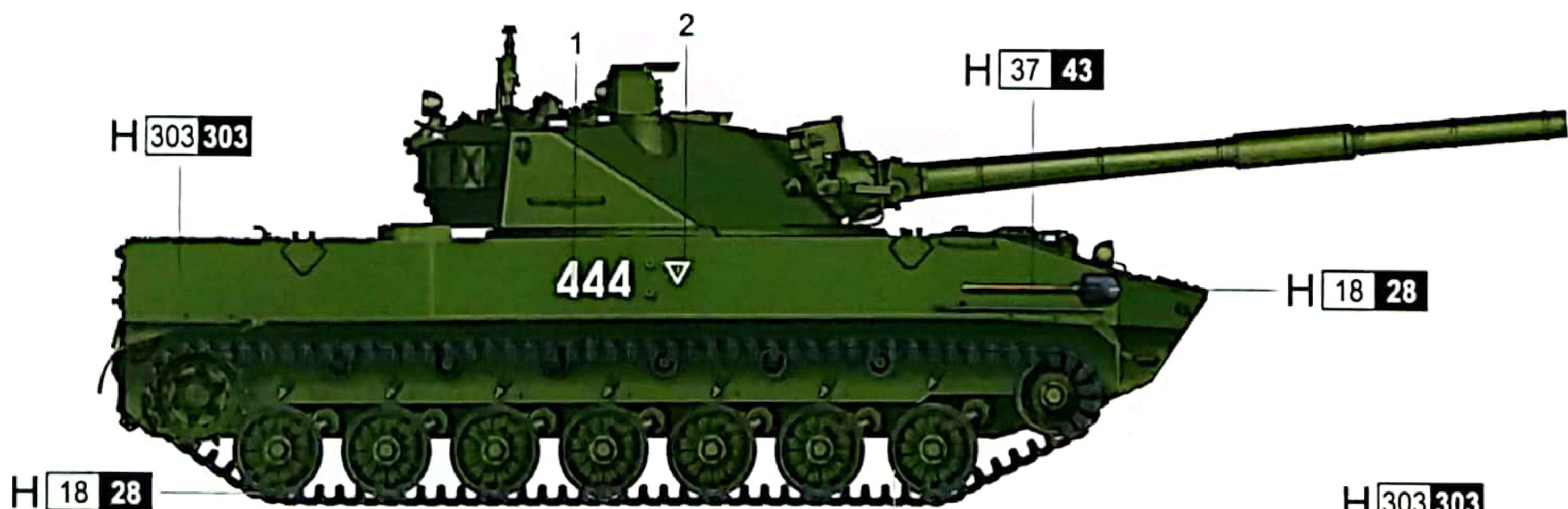
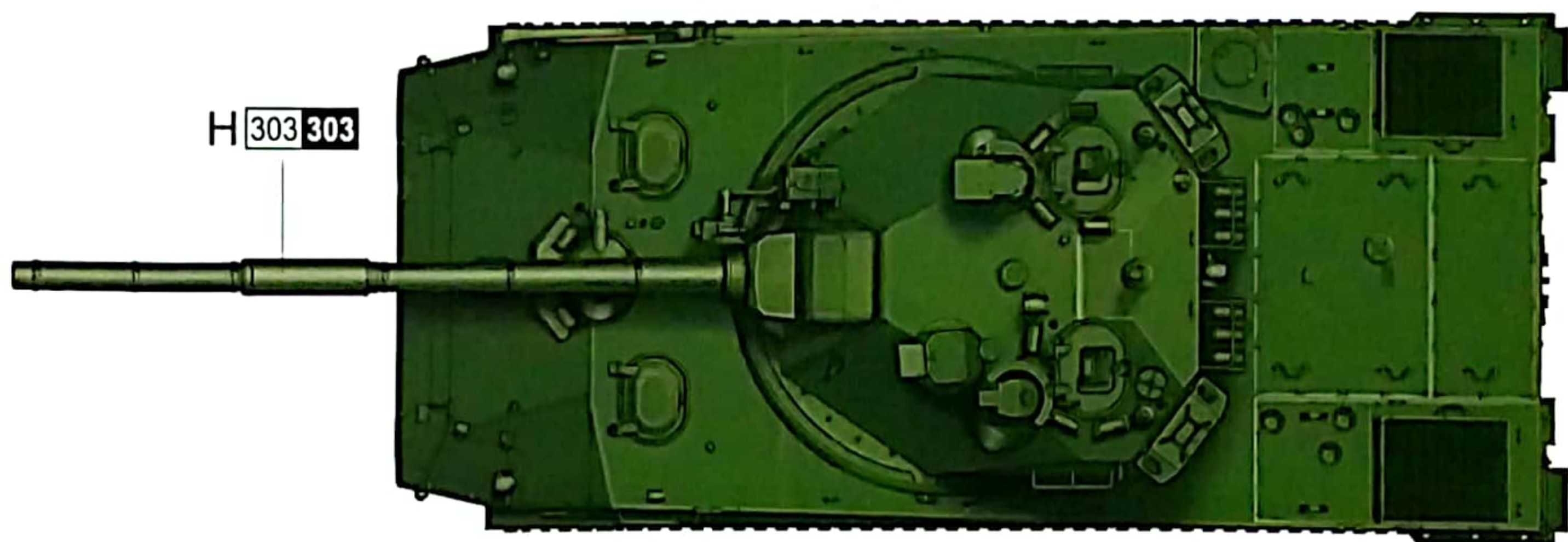
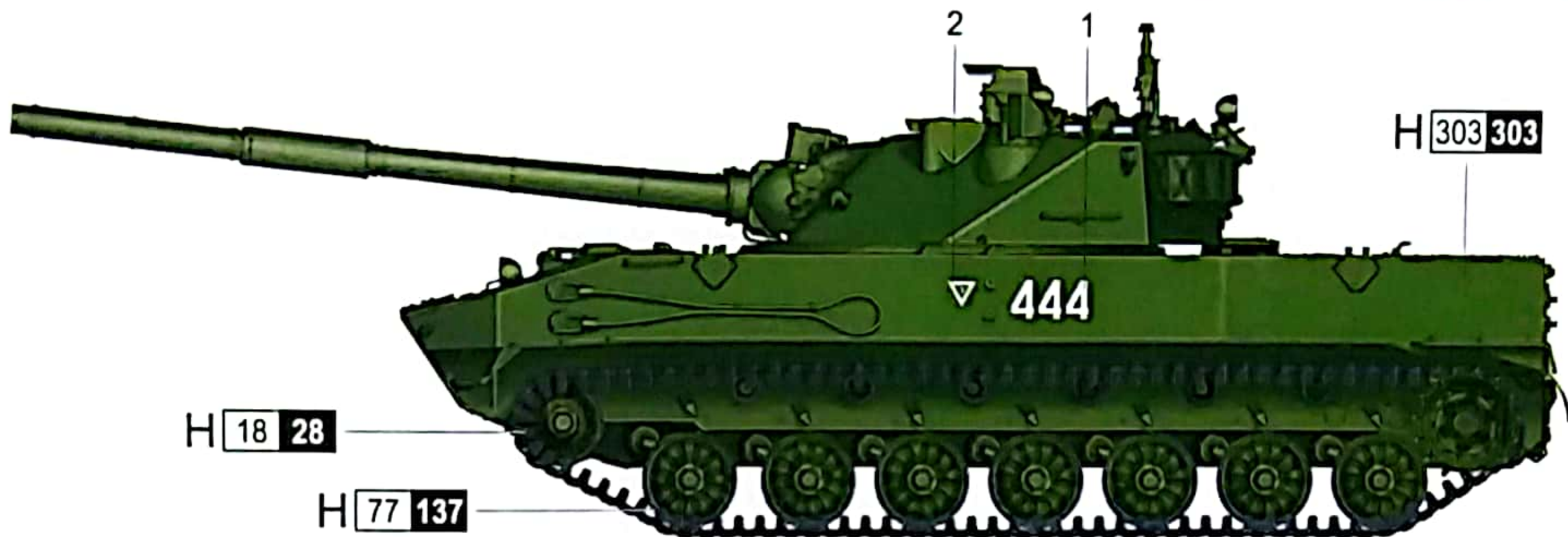


涂装同标贴指示

Painting & Marking guide

A

PAINT REFERENCE COLOR						
Color	Mr Hobby	Acrycion	Vallejo	Model Master	Tamiya	Humbrol
Light Green 绿色	H 303 303	N 303	-	1713	XF20	117
Tire Black 胎黑色	H 77 137	N 77	-	-	XF85	-
Steel 黑铁色	H 18 28	N 18	864	1402	XF84	-



H AQUEOUS HOBBY COLOR Mr. COLOR N ACRYSION COLOR

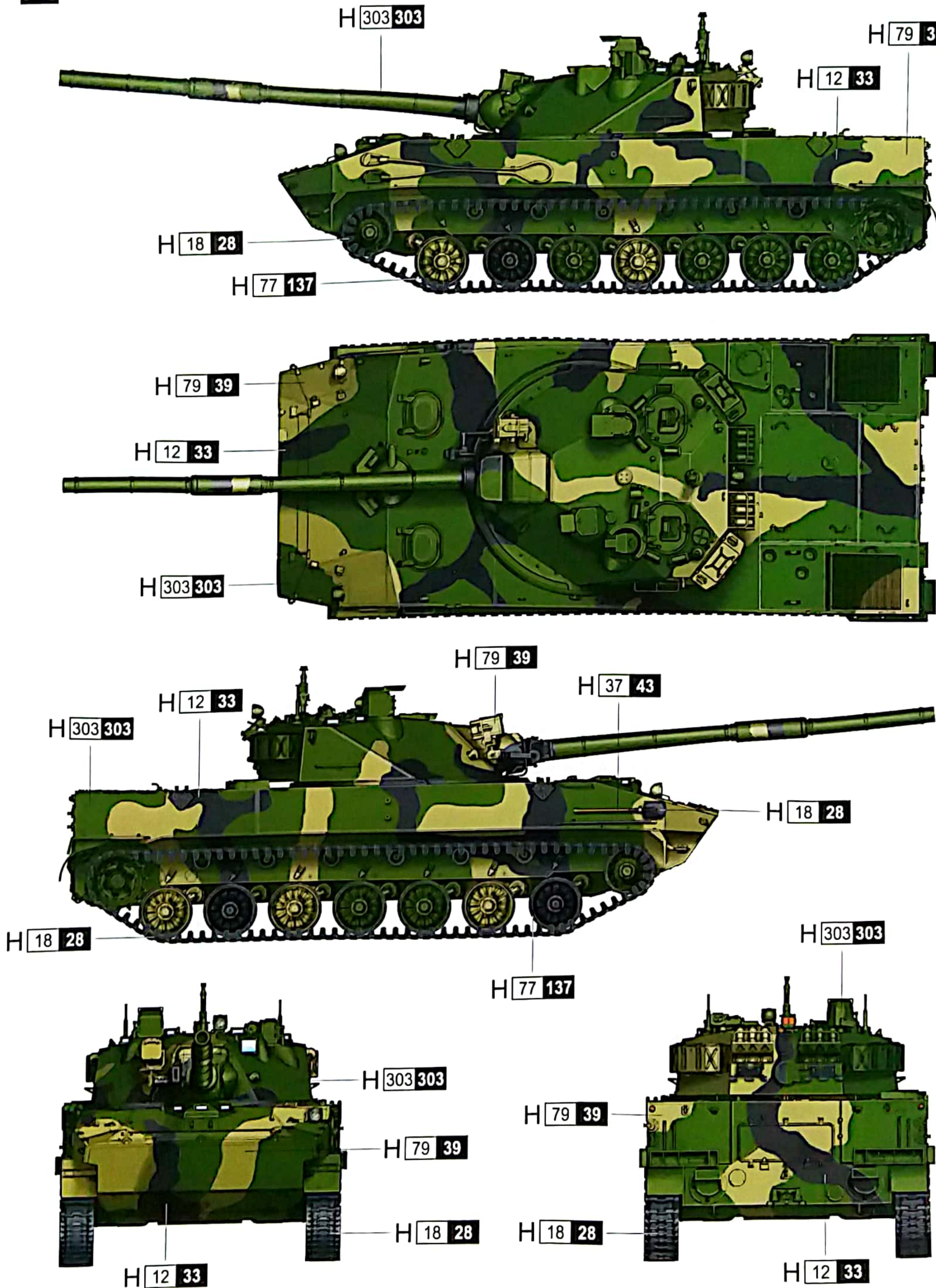
涂装同标贴指示

Painting & Marking guide

PAINT REFERENCE COLOR

Color	Mr.Hobby	Acrycion	Vallejo	Model Master	Tamiya	Humbrol
Flat Black 消光黑	H 12 33	N 12	950	1749	XF1	33
Sandy Yellow/Dark Yellow 砂黄色	H 79 39	N 79	824	-	XF59	93
Wood Brown 木棕色	H 37 43	N 37	983	1701	-	186

B



H AQUEOUS HOBBY COLOR Mr. COLOR N ACRYSION COLOR