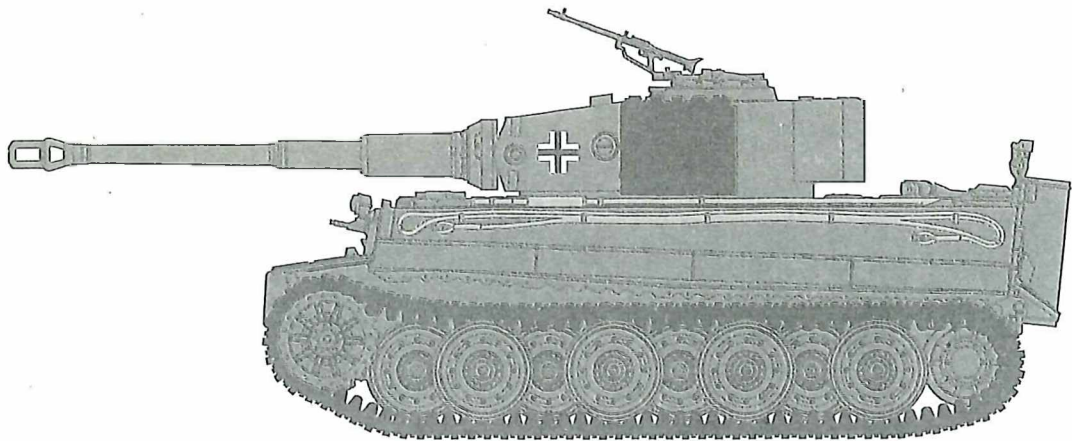


1/72 SCALE

ITEM NO.:07164

German Tiger with 88mm kwk L/71

德国虎式坦克-88mm kwk L/71炮管



READ BEFORE ASSEMBLY:

- o Study and understand these instructions thoroughly before beginning assembly
- o When needed, remove photo-etch parts carefully using a modeling knife or photo etch sprue cutter, being careful not to damage or lose small parts.
- o Take extra care in handling photo etch parts in order to avoid injury
- o Apply instant cement sparingly to photo etch parts where instructed
- o Tools recommended(not included in kit):Plastic and instant cements,sprue cutters,long nose pliers,,modeling knife, small files, tweezers, pin vise & scissors. Soft cloth and sandpaper will also assist in construction
- o Glue and paint are not included in the kit. Use plastic cement and hobby paints only. Color guide for purchasing paint is included in the kit.

装配之前仔细阅读

- o 小心用模型锉刀锉平所有零件表面的注射浇口。
- o 小心用刀片切下蚀刻片零件，不要遗失小零件。
- o 用强力快干胶水粘合蚀刻片零件和金属轴。过量的快干胶水使用可能导致可动零件会粘住，小心涂胶。
- o 取蚀刻片时应特别注意安全，防止利边划伤手指。
- o 某些零件表面需贴上水贴纸，请选择在装配的同时进行。
- o 推荐模型工具(自备)：胶水，水口剪刀，长咀钳，刀片，锉刀，镊子，钳，钻，剪刀，瞬间快干胶。
- o 软布同砂纸同时也应该是必备工具。
- o 请使用塑料胶水和油漆，模型内不含。



使用强力胶

Cyanoacrylate glue



配重

Weight



钻孔

Make hole



切除

Cut / Remove



贴纸

Decal



锉平

File / Sand



选择

Option



不涂胶水

No cement



弯曲

Bend



先装

Install it first

水贴纸的使用:

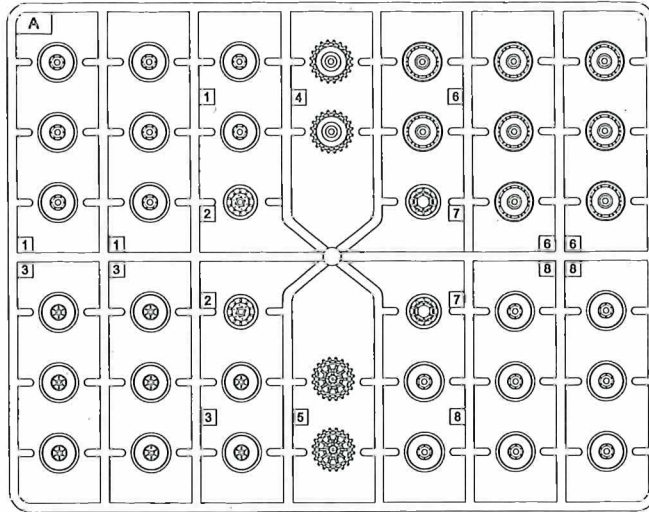
1. 从水贴上剪下印花;
2. 将印花放入温水中浸10秒，然后放在干净布上。
3. 拿着印花纸板将印花移到模型上;
4. 手指蘸水将印花移到适当的位置;
5. 用软布轻压印花直至水干，气泡消失。

DECAL APPLICATION

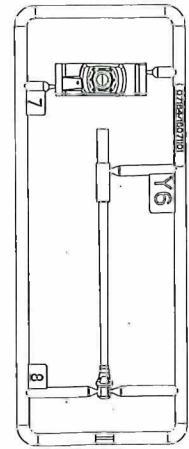
1. Cut off decal from sheet.
2. Dip the decal in tepid water 40°C for about 10 sec. and place on a clean cloth.
3. Hold the backing sheet edge and slide decal onto the model.
4. Move decal into position by wetting decal with finger.
5. Press decal gently down with a soft cloth until excess water and air bubbles are gone.
6. Allow decal to dry completely before handling model.

部品图

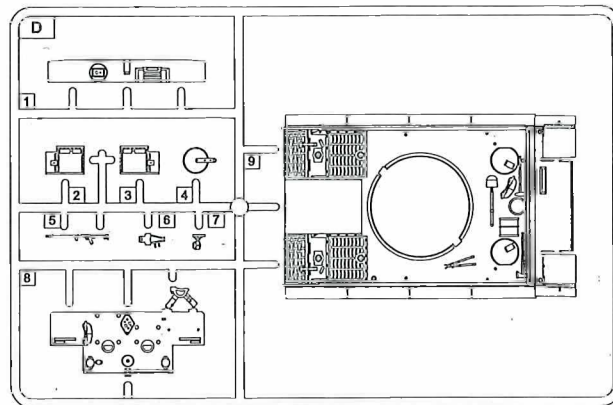
Parts A



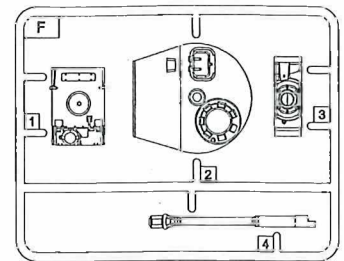
Y6



D

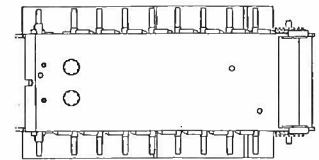


F

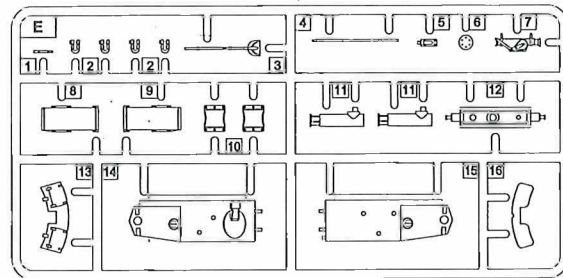


《车底》

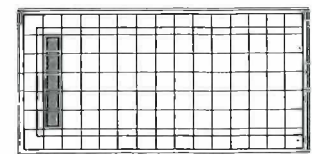
Lower hull



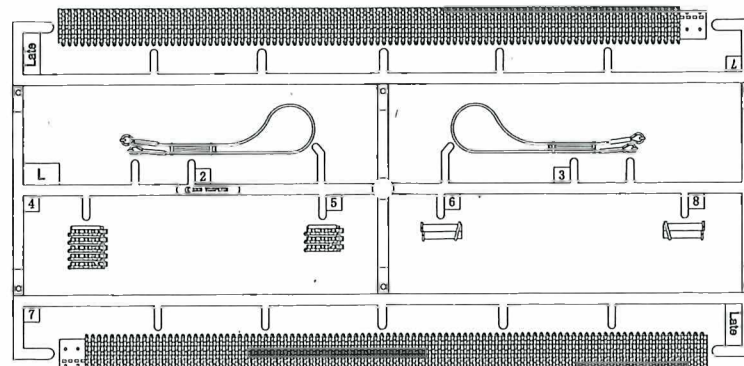
E



《底座》
Stand



L



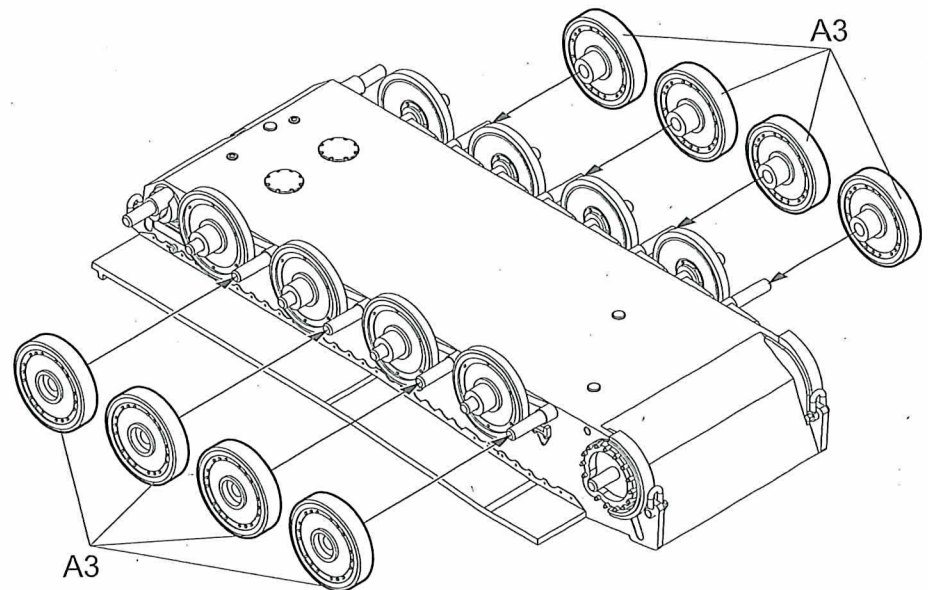
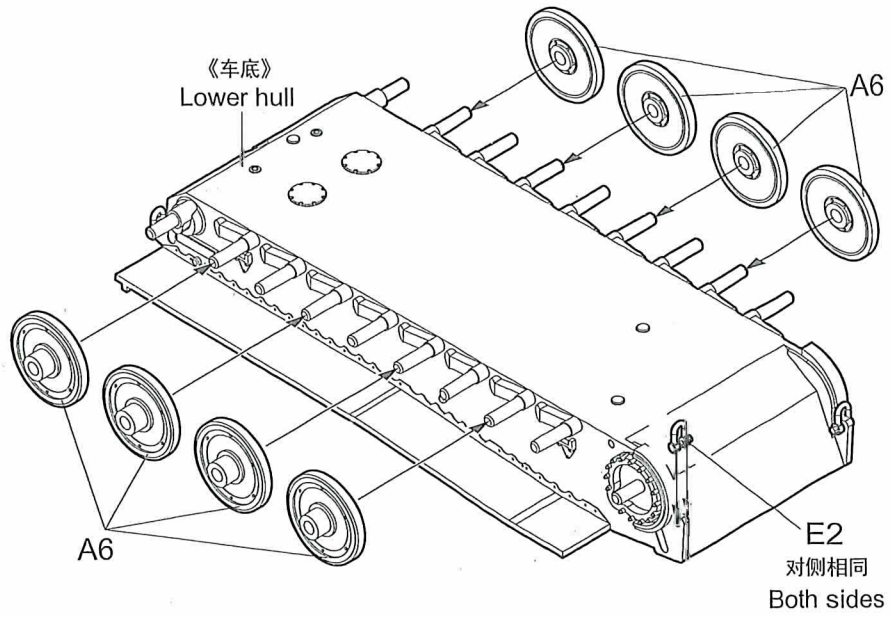
《水贴》
Decal



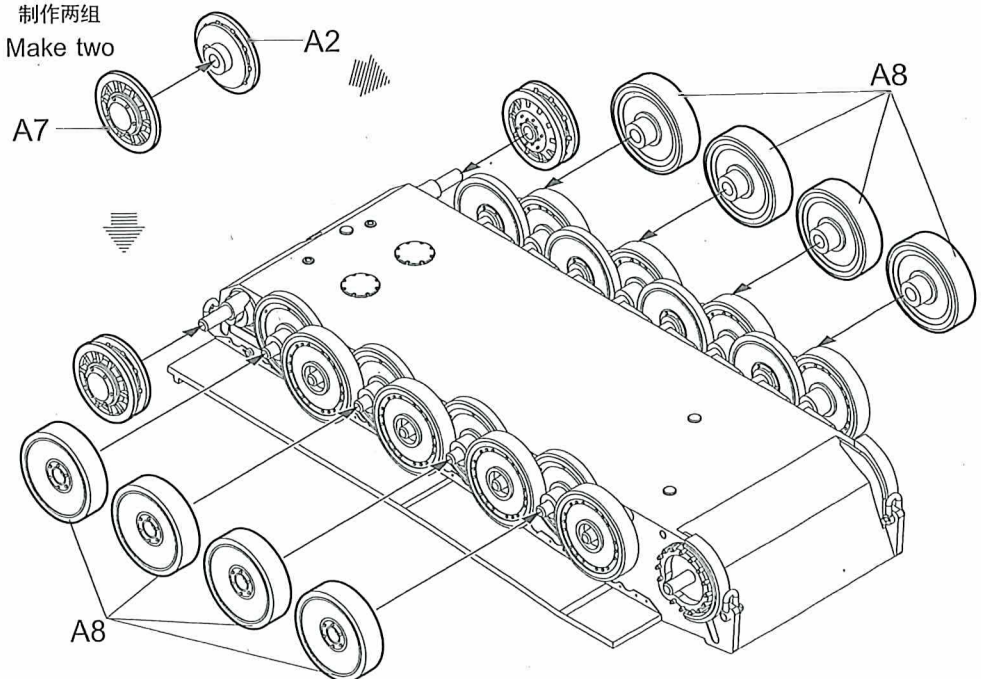
07164 1/72 German Tiger
with 88mm kvk l/71

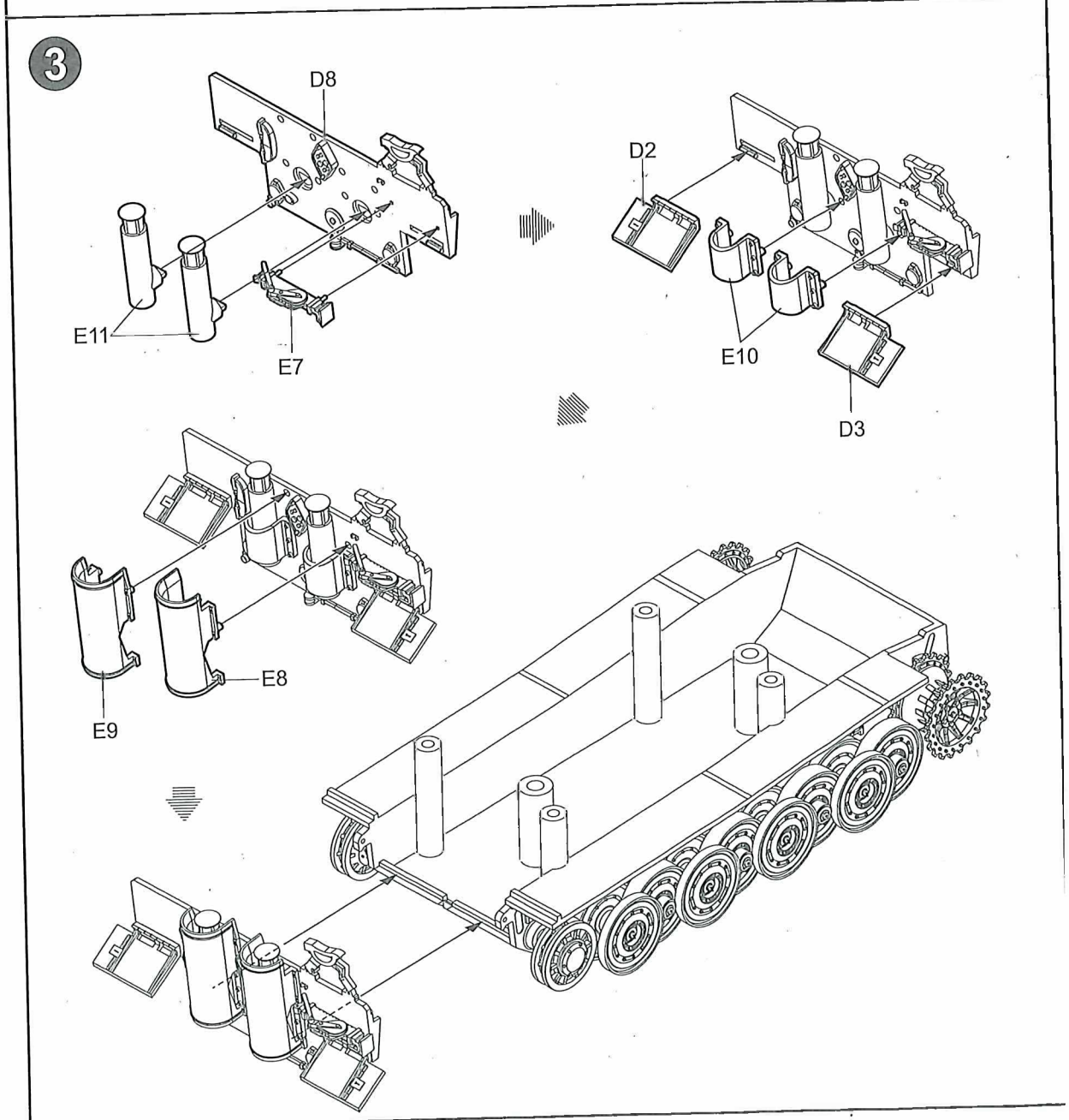
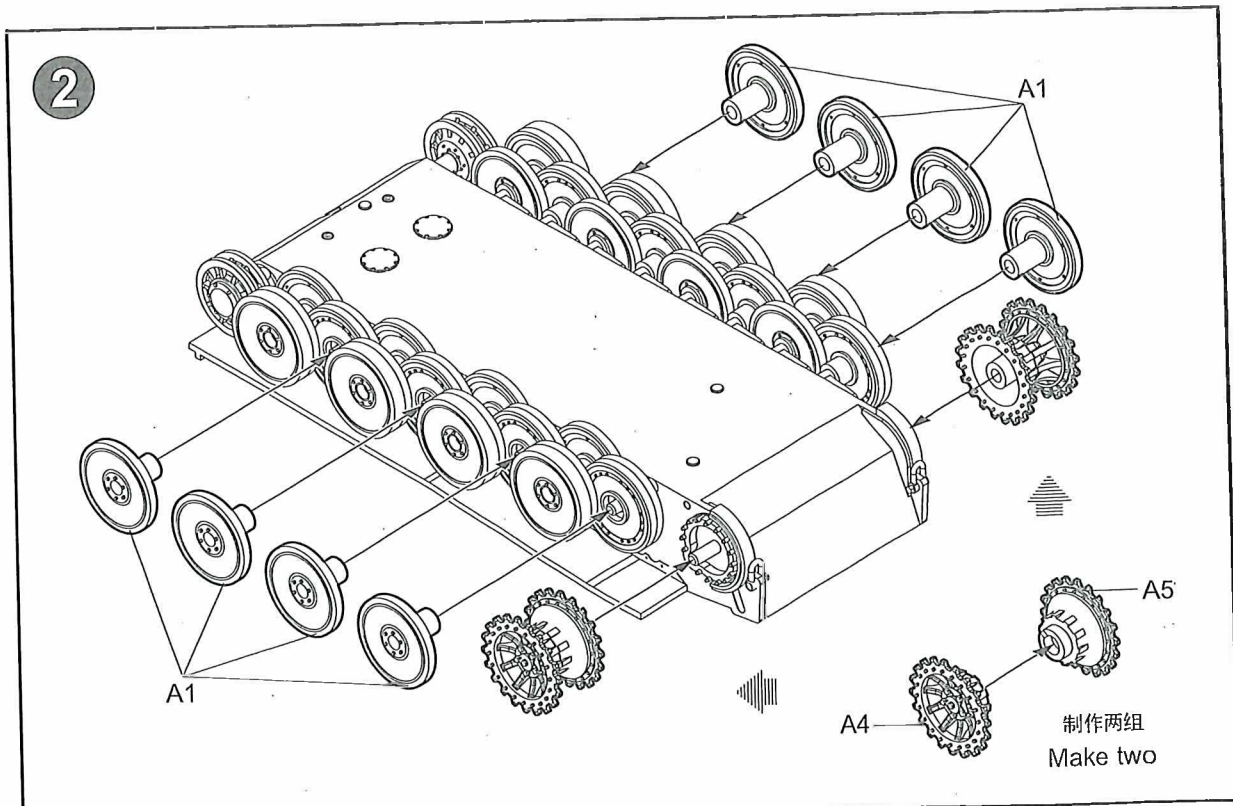
不用部品
No used parts: E3.L6.L8.

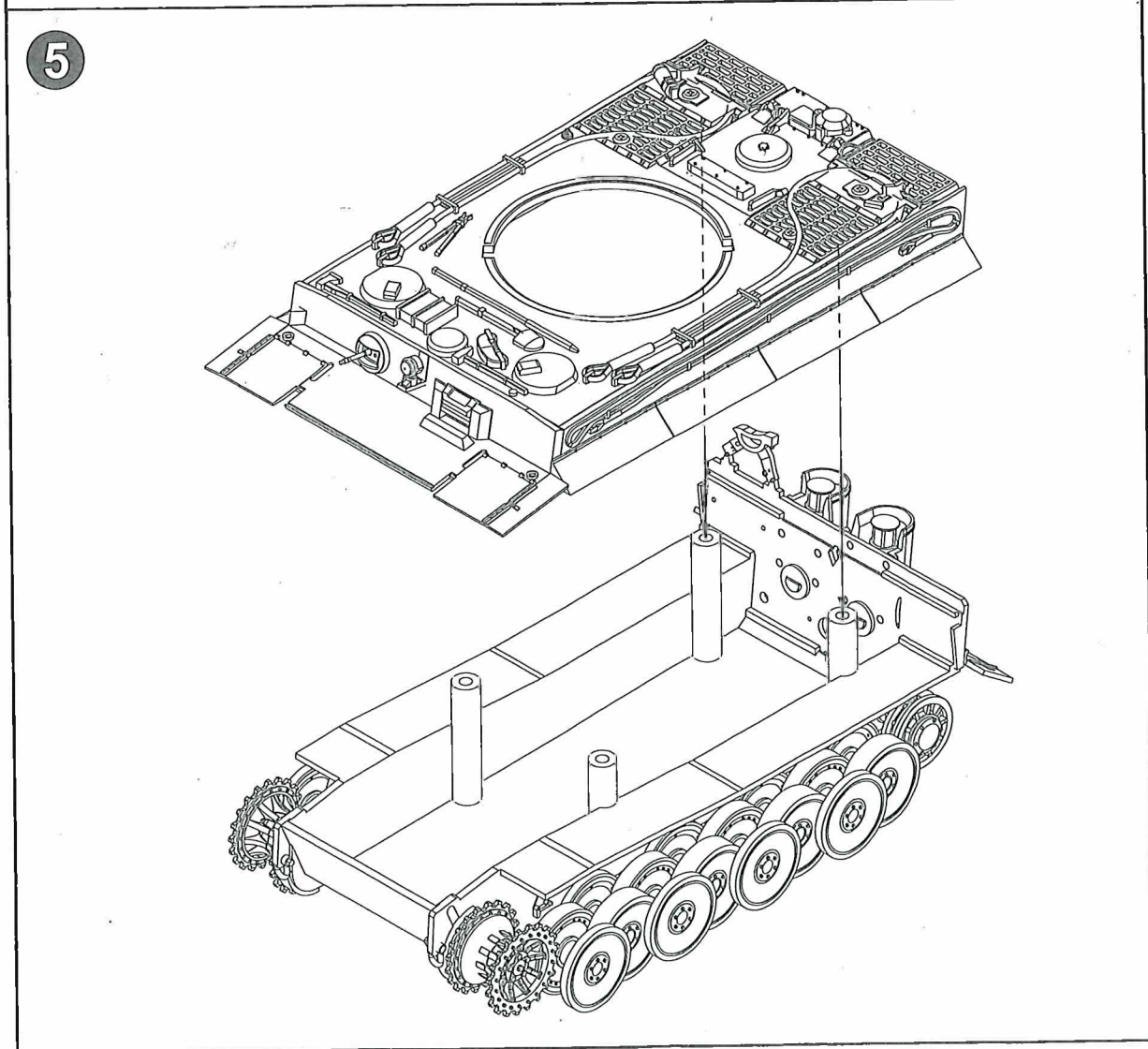
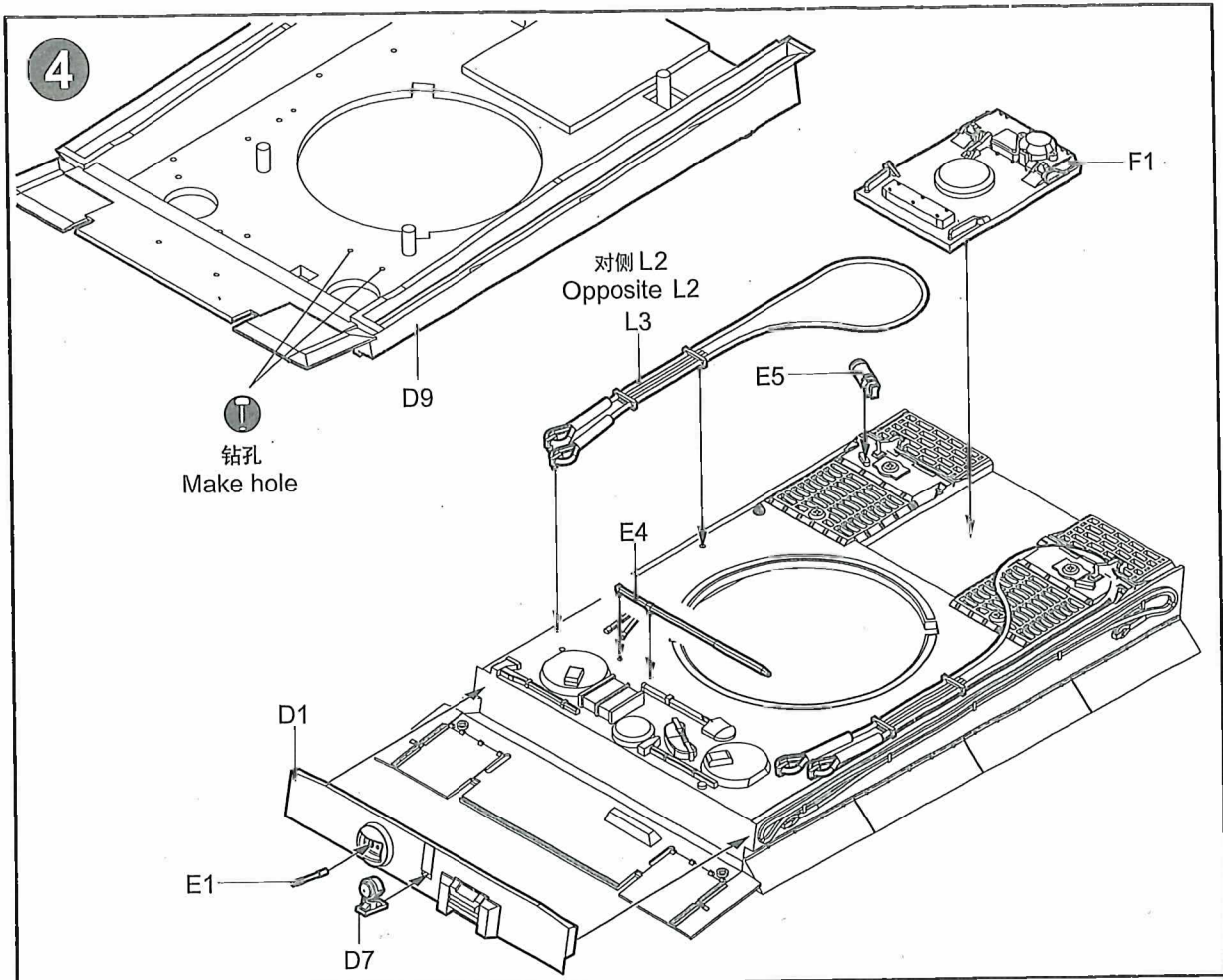
1



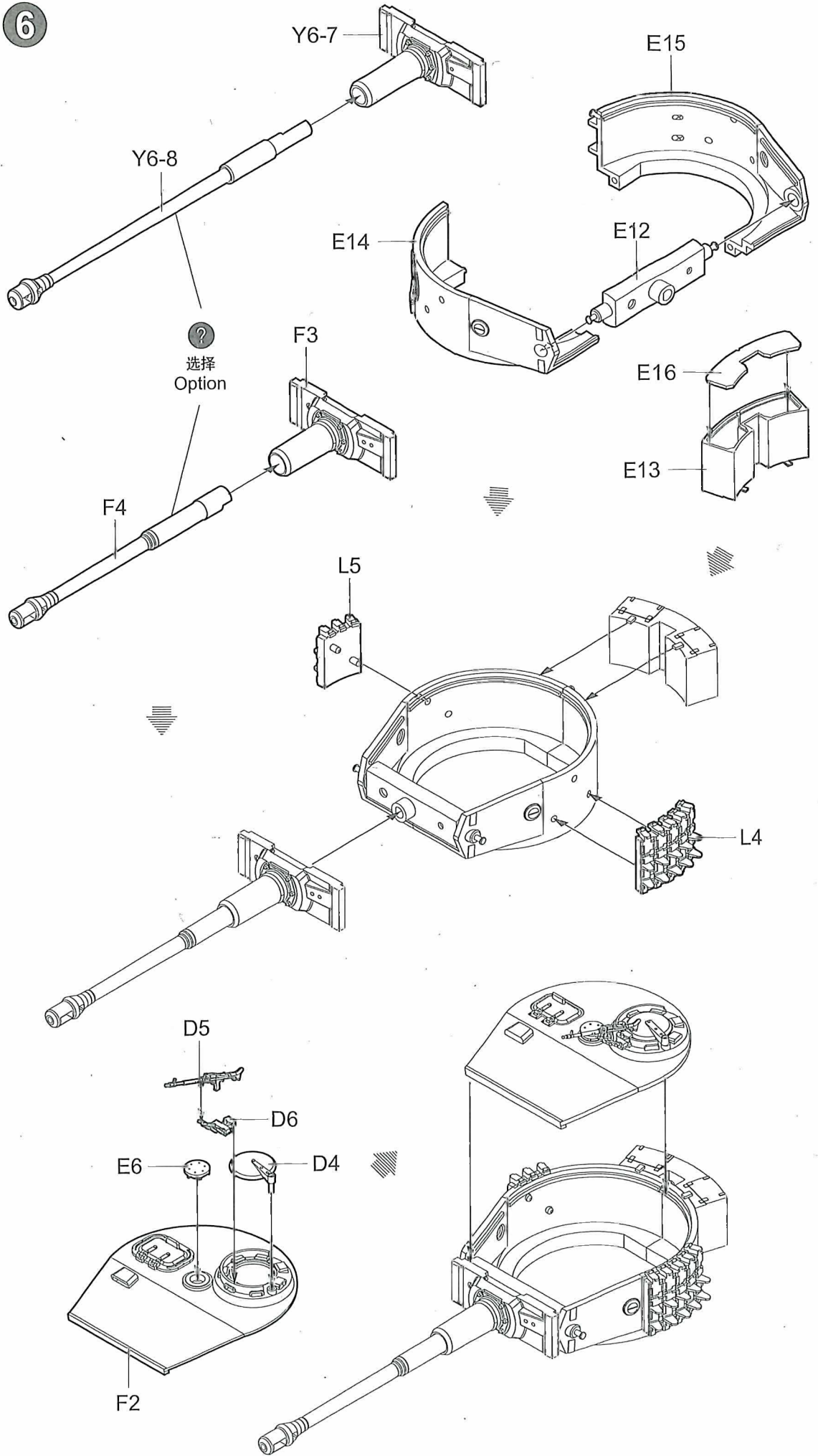
制作两组
Make two





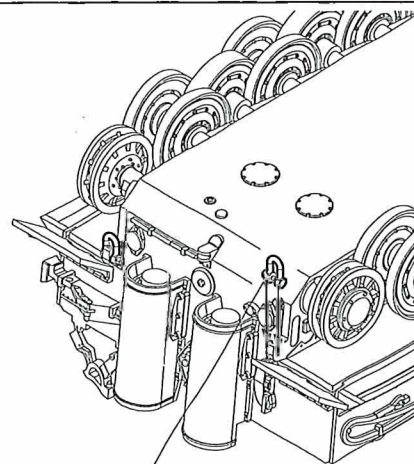
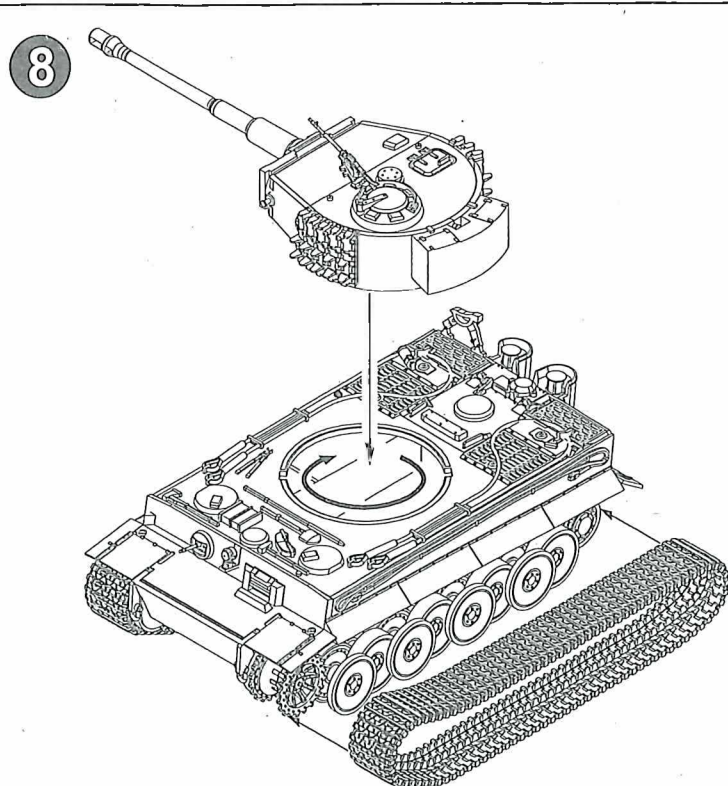
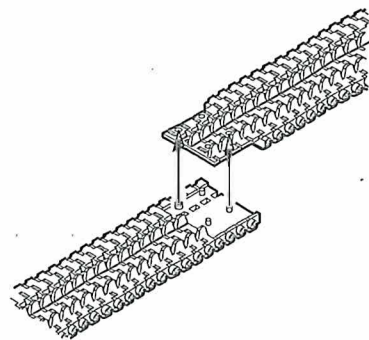


6



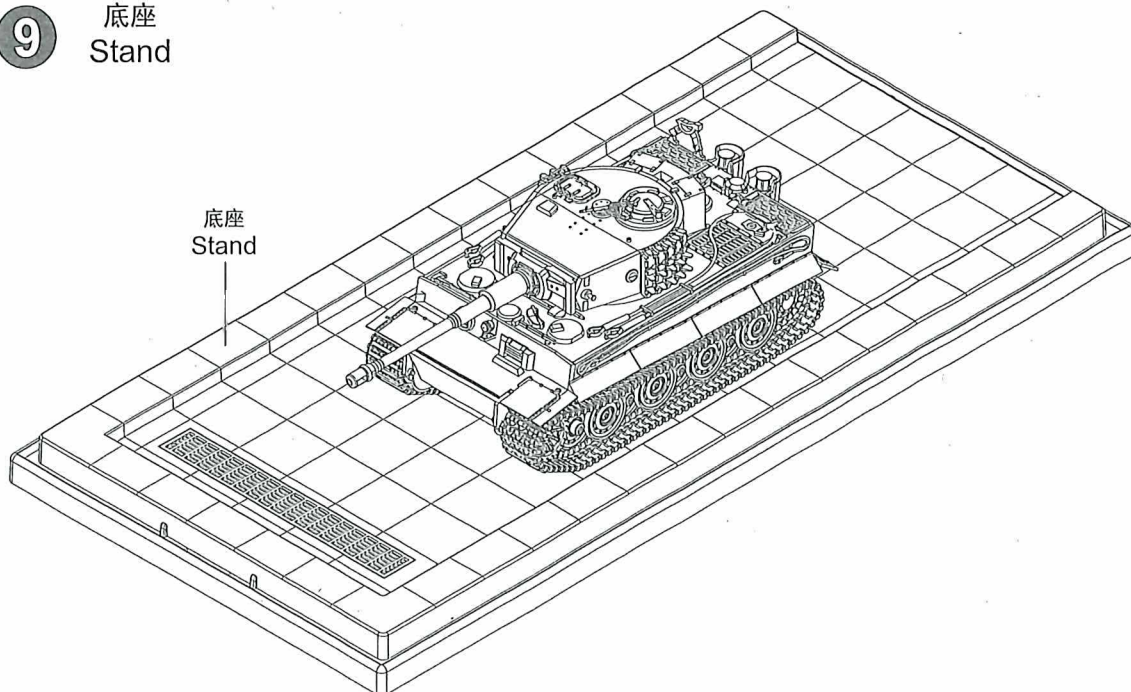
7 履带连接
Track installation

- *履带可用塑料胶水粘合
- *履带可用模型胶水粘合
- *若履带断裂，用细线固定
- *The tracks in this kit can be glued using plastic cement.
- *The tracks can be painted using plastic panints.
- *If track is broken strengthen with staples or thread.



E2
对侧相同
Both sides

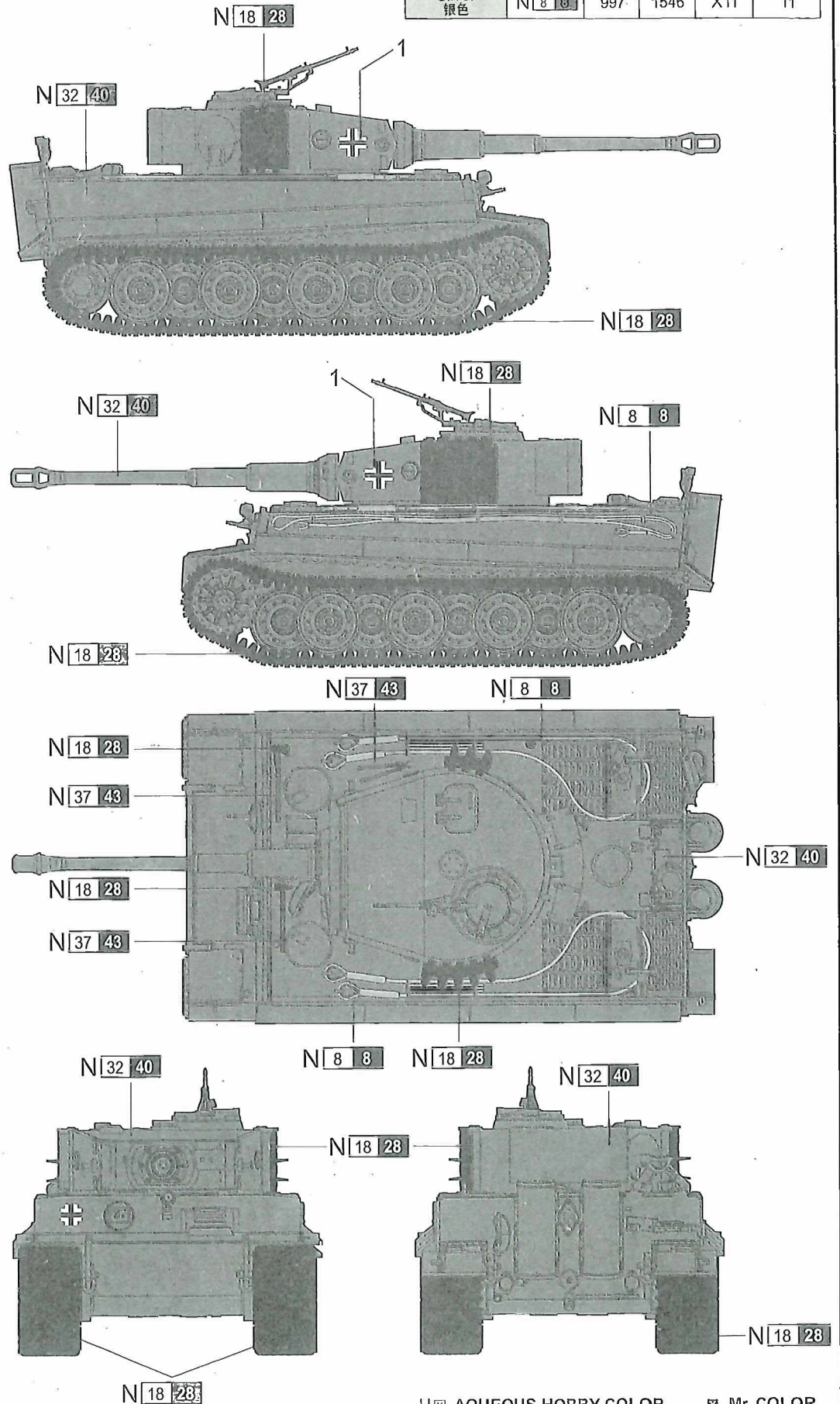
9 底座
Stand



涂装同标贴指示
Painting & Marking guide

PAINT REFERENCE COLOUR

Color	Mr.Hobby	Vallejo	Model Master	Tamiya	Humbrol
Steel 黑漆色	N 18 23	864	1402	-	-
Field Gray 原野灰(1)	N 32 40	830	-	XF22	111
Wood/Brown 木漆色	N 37 43	983	1701	-	186
Silver 银色	N 8 8	997	1546	X11	11



H AQUEOUS HOBBY COLOR Mr. COLOR

涂装同标贴指示

Painting & Marking guide

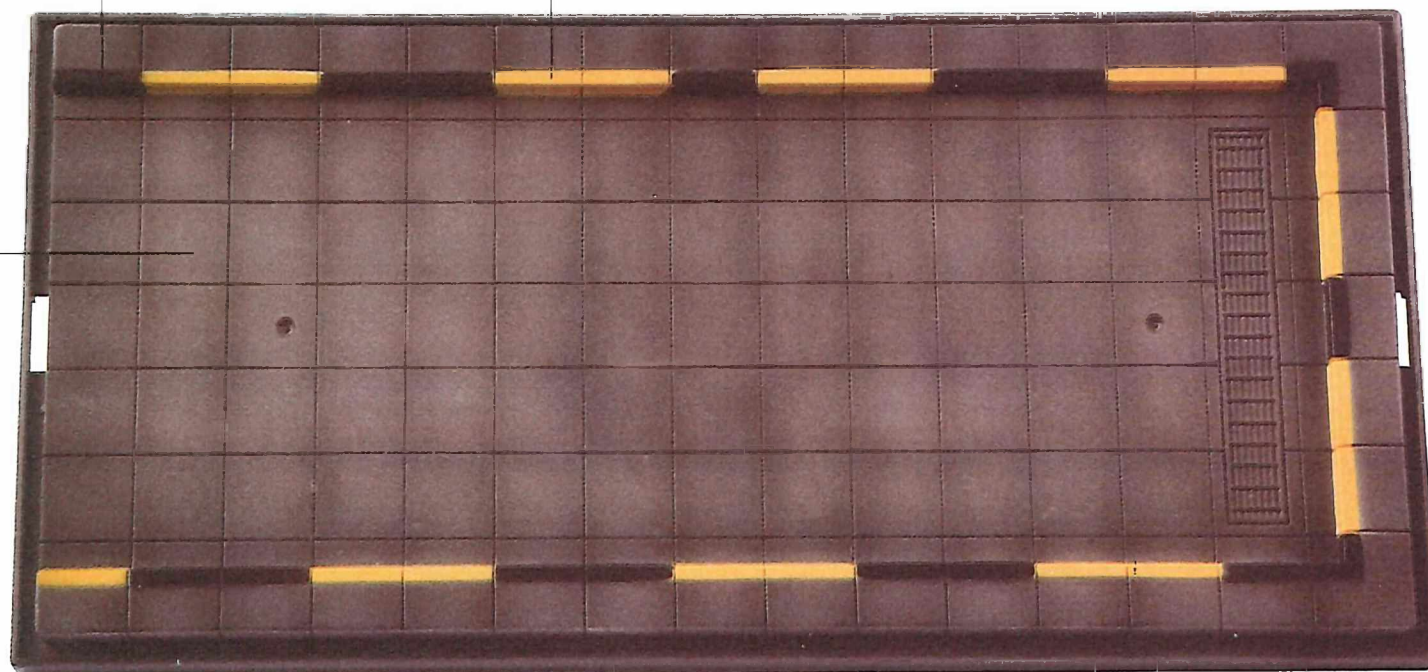
PAINT REFERENCE COLOUR

Color	Mr.Hobby	Vallejo	Model Master	Tamiya	Humbrol
Flat Black 消光黑	H 12 33	950	1749	XF1	33
Yellow 黄色	H 4 4	953	1514	X8	69
Engine Gray 灰色	H 301 301	866	-	XF24	-

H 12 33

H 4 4

H 301 301



H☒ AQUEOUS HOBBY COLOR

☒ Mr. COLOR

07160-07170 1/72 Stand