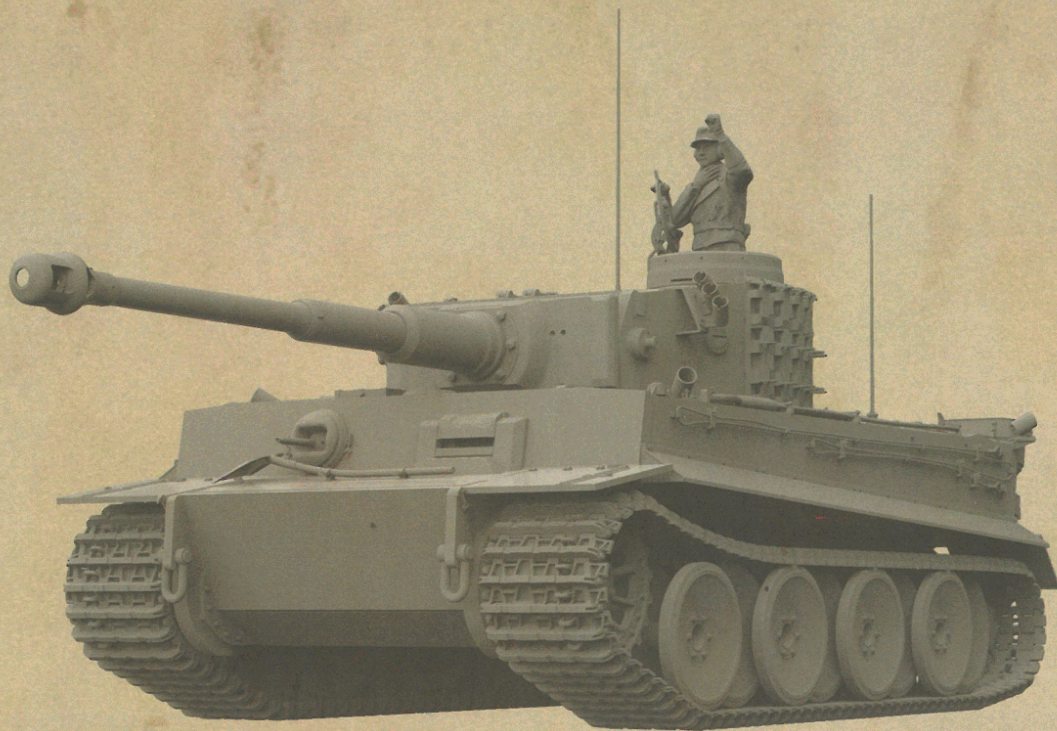


INSTRUCTION MANUAL-AHHQ 003

# TIGER I

Pz. kpfw. VI Ausf. E-Sd. kfz. 181



## READ BEFORE ASSEMBLY

### CAUTION

- Please read carefully for important safety and assembly tips before commencing.
- Keep out of reach of small children. Contains small parts that could be a choking hazard.
- Keep plastic bags away from small children to avoid the danger of suffocation.
- Tools, knives, adhesives and paints should be used with caution to avoid personal injury.



Instant Glue for Metal



Do Not Cement



Drill



Optional








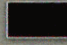





Remove

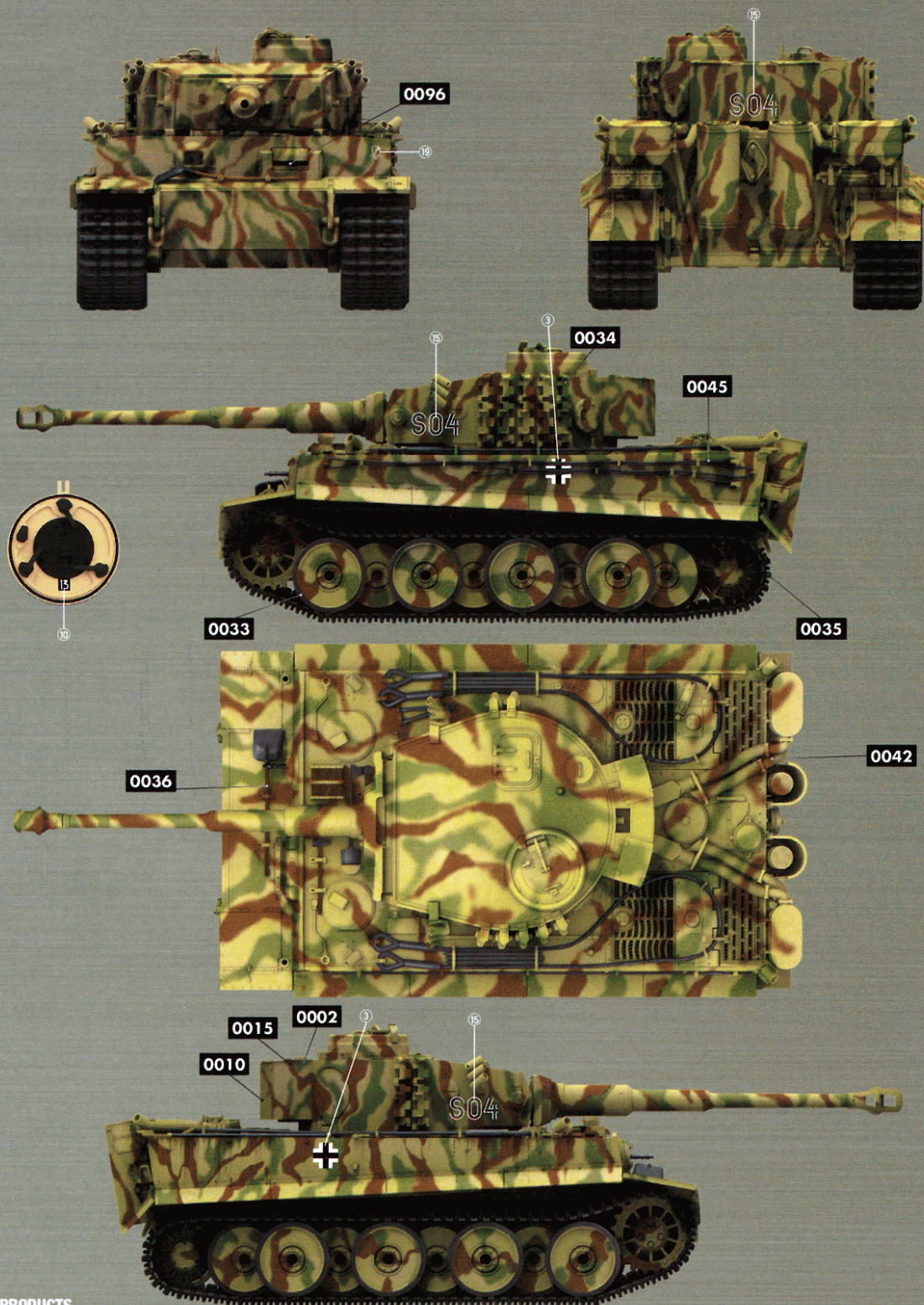


## Painting and Marking Guide

**TAKOM** N°: AHHQ 003

13./SS Panzerregiment 1,  
Eastern Front/Zhytomyr,  
November 1943

 <b>A.MIG-0002</b> Olivgrün OPT.2	 <b>A.MIG-0010</b> RAL 7031 Dunkelgelb (M) WS9	 <b>A.MIG-0015</b> RAL 8017 Schokobraun	 <b>A.MIG-0033</b> Rubber & Tires	 <b>A.MIG-0034</b> Rust Tracks
 <b>A.MIG-0035</b> Rust Tracks	 <b>A.MIG-0036</b> Old Wood	 <b>A.MIG-0040</b> Medium Rust	 <b>A.MIG-0042</b> Old Rust	 <b>A.MIG-0045</b> Gun Metal
 <b>A.MIG-0096</b> Crystal Periscope Green				



### WEATHERING STEPS WITH AMMO PRODUCTS

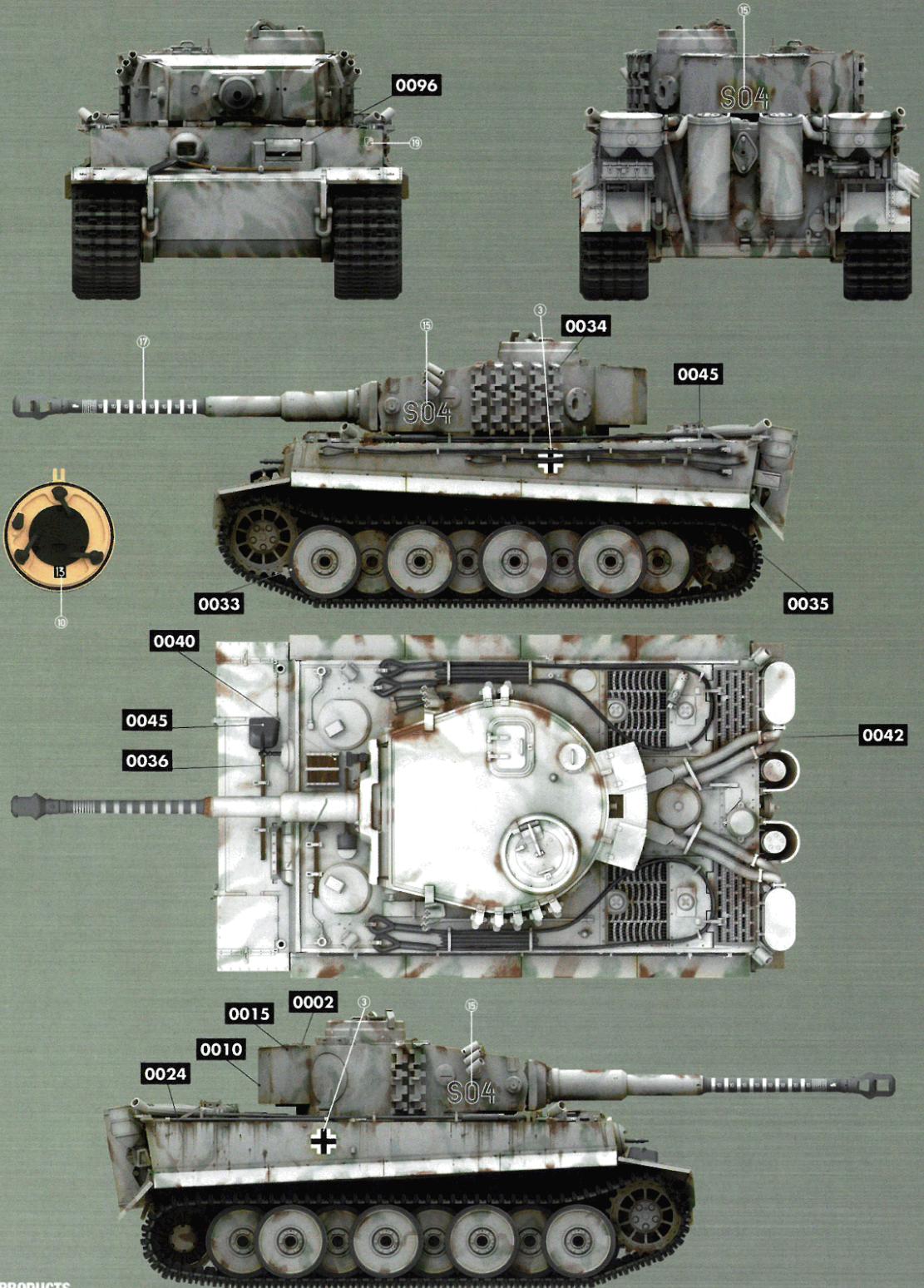
<b>1 GENERAL WASH</b> <b>A.MIG-1005</b> Dark Brown Wash for Green vehicles	<b>4 DIRT SHADING</b> <b>A.MIG-0853</b> Dirt Shader	<b>7 RAINMARKS</b> <b>A.MIG-1258</b> Streakingbrusher Dust	<b>10 MUD</b> <b>A.MIG-1704</b> Heavy Earth	<b>12 FUEL</b> <b>A.MIG-1409</b> Fuel Stains
<b>2 FILTER</b> <b>A.MIG-0824</b> Tan	<b>5 DETAILS HIGHLIGHT</b> <b>A.MIG-0617</b> Drybrush Medium German Yellow	<b>8 TRACKS WASH</b> <b>A.MIG-1002</b> Tracks Wash	<b>11 SPLASHES</b> <b>A.MIG-1753</b> Turned Dirt	<b>13 OIL</b> <b>A.MIG-1408</b> Fresh Engine Oil
<b>3 CAMO SHADING</b> <b>A.MIG-0852</b> Earth Shader	<b>6 STREAKING</b> <b>A.MIG-1256</b> Streakingbrusher Green-Grey Grime	<b>9 DUST</b> <b>A.MIG-3004</b> Europe Earth Pigment		

## Painting and Marking Guide

**TAKOM** N°: AHHQ 003

13./SS Panzerregiment 1,  
Eastern Front, Winter 1943-44

 <b>A.MIG-0002</b> Olivgrün OPT.2	 <b>A.MIG-0010</b> RAL 7025 Durakelch (MCW/M)	 <b>A.MIG-0015</b> RAL 8017 Schokobraun	 <b>A.MIG-0024</b> Waschblei White Camo	 <b>A.MIG-0033</b> Rubber & Tires
 <b>A.MIG-0034</b> Rust Tracks	 <b>A.MIG-0035</b> Rust Tracks	 <b>A.MIG-0036</b> Old Wood	 <b>A.MIG-0040</b> Medium Rust	 <b>A.MIG-0042</b> Old Rust
 <b>A.MIG-0045</b> Gun Metal	 <b>A.MIG-0096</b> Crystal Penelope Green			




### WEATHERING STEPS WITH AMMO PRODUCTS

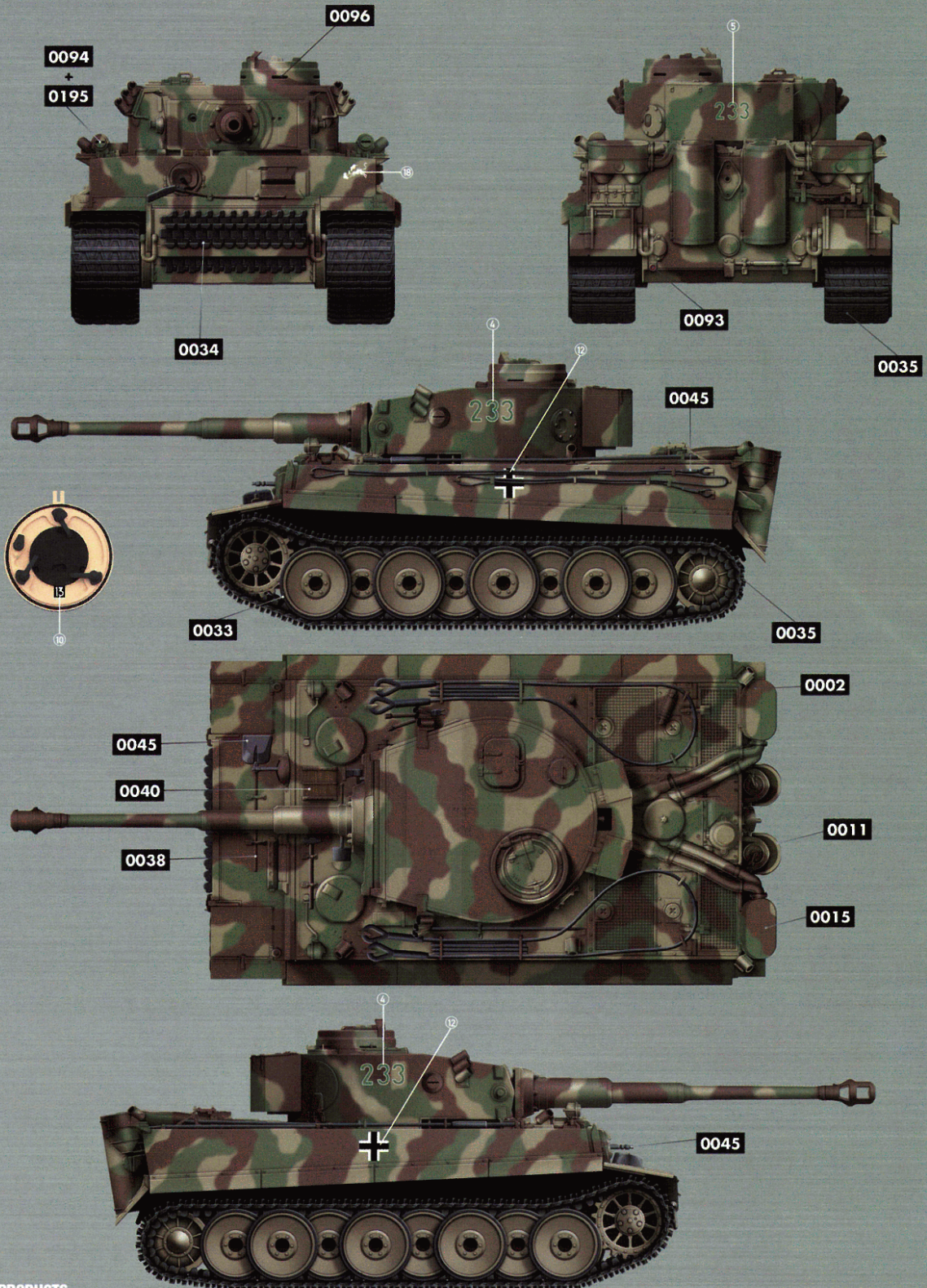
<b>1 GENERAL WASH</b> <b>A.MIG-1005</b> Dark Brown Wash for Green vehicles	<b>4 DIRT SHADING</b> <b>A.MIG-0853</b> Dirt Shader	<b>7 RAINMARKS</b> <b>A.MIG-1258</b> Streakingbrusher Dust	<b>10 MUD</b> <b>A.MIG-1704</b> Heavy Earth	<b>12 FUEL</b> <b>A.MIG-1409</b> Fuel Stains
<b>2 FILTER</b> <b>A.MIG-0824</b> Tan	<b>5 DETAILS HIGHLIGHT</b> <b>A.MIG-0617</b> Drybrush Medium German Yellow	<b>8 TRACKS WASH</b> <b>A.MIG-1002</b> Tracks Wash	<b>11 SPLASHES</b> <b>A.MIG-1753</b> Turned Dirt	<b>13 OIL</b> <b>A.MIG-1408</b> Fresh Engine Oil
<b>3 CAMO SHADING</b> <b>A.MIG-0852</b> Earth Shader	<b>6 STREAKING</b> <b>A.MIG-1256</b> Streakingbrusher Green-Grey Grime	<b>9 DUST</b> <b>A.MIG-3004</b> Europe Earth Pigment		

## Painting and Marking Guide

**TAKOM** N°: AHHQ 003

2./schwere Panzerabteilung 505,  
Eastern Front/Kursk, July 1943

 <b>A.MIG-0002</b> RAL 6003 Olivgrün OPT 2	 <b>A.MIG-0011</b> RAL 7028 Dunkelgelb AUS '44 DG 1	 <b>A.MIG-0015</b> RAL 8017 Schokobraun	 <b>A.MIG-0033</b> Rubber & Tires	 <b>A.MIG-0034</b> Rust Tracks
 <b>A.MIG-0035</b> Dark Tracks	 <b>A.MIG-0038</b> Old Wood	 <b>A.MIG-0040</b> Medium Rust	 <b>A.MIG-0045</b> Gun Metal	 <b>A.MIG-0003</b> Crystal Red
 <b>A.MIG-0094</b> Crystal Glass	 <b>A.MIG-0096</b> Crystal Periscope Green	 <b>A.MIG-0195</b> Silver		



### WEATHERING STEPS WITH AMMO PRODUCTS

<b>1 GENERAL WASH</b> <b>A.MIG-1005</b> Dark Brown Wash for Green vehicles	<b>4 DIRT SHADING</b> <b>A.MIG-0853</b> Dirt Shader	<b>7 RAINMARKS</b> <b>A.MIG-1258</b> Streakingbrusher Dust	<b>10 MUD</b> <b>A.MIG-1704</b> Heavy Earth	<b>12 FUEL</b> <b>A.MIG-1409</b> Fuel Stains
<b>2 FILTER</b> <b>A.MIG-0824</b> Tan	<b>5 DETAILS HIGHLIGHT</b> <b>A.MIG-0617</b> Drybrush Medium German Yellow	<b>8 TRACKS WASH</b> <b>A.MIG-1002</b> Tracks Wash	<b>11 SPLASHES</b> <b>A.MIG-1753</b> Turned Dirt	<b>13 OIL</b> <b>A.MIG-1408</b> Fresh Engine Oil
<b>3 CAMO SHADING</b> <b>A.MIG-0852</b> Earth Shader	<b>6 STREAKING</b> <b>A.MIG-1256</b> Streakingbrusher Green-Grey Grime	<b>9 DUST</b> <b>A.MIG-3004</b> Europe Earth Pigment		







"Hi everyone, it's Andy from Andy's Hobby Headquarters". Perhaps you are familiar with my YouTube channel, have been a customer of my retail or online stores, or have no idea who I am – in any case, I am very excited to share this kit with you!

From model enthusiast, to brick and mortar store owner, to online retailer, to releasing my own brand is truly a dream come true.

My journey in a nutshell ...

1974 - Built my first model kit, a P-61 Black Widow by Monogram.

1995 - Andy's Hobby Headquarters was born. I opened my first hobby store in El Cajon, California.

2004 - Andy's Hobby Headquarters second store opened in Glendale, Arizona.

2015 - Started my YouTube channel.

2019 - ANDYSHHQ.COM online store goes live.

2022 - Introduction of my first model kit; ANDYSHHQ 1:16 Scale M4A3E8 "Easy Eight" Sherman

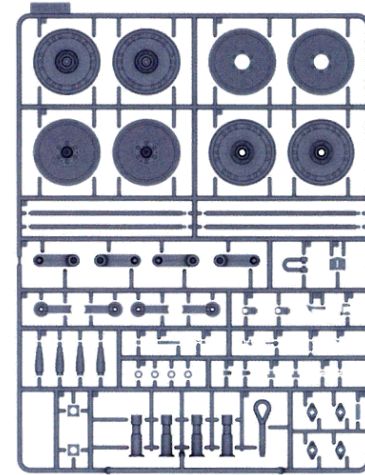
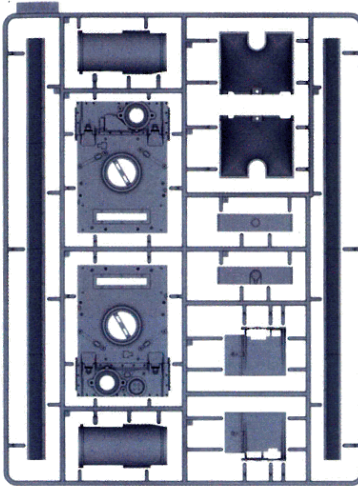
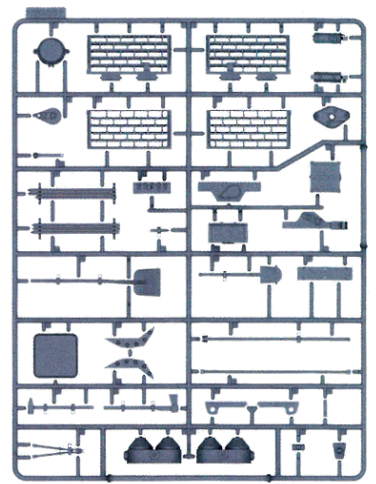
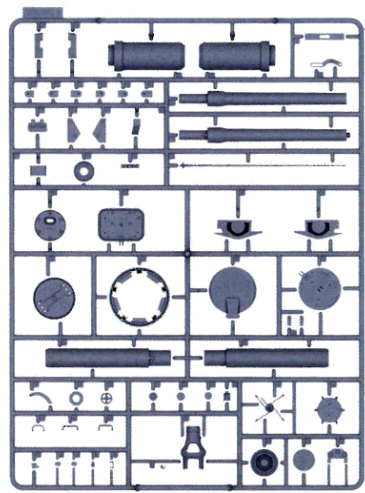
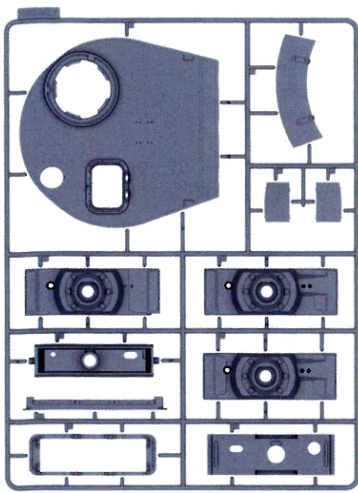
The decision to collaborate with TAKOM on my M4A3E8 proved to be a success and the support for my first venture was greater than I ever could have imagined. The bar has been set and my goal is to continue bringing top quality, highly detailed and affordable kits to the modeling community.

Following the Sherman, I couldn't resist the opportunity to produce another famous WWII tank in large scale and am pleased to introduce the ANDYSHHQ 1:16 Scale Tiger I. Thank you very much for your purchase, I hope you enjoy this incredible kit.

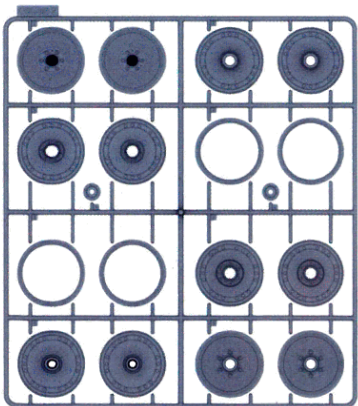
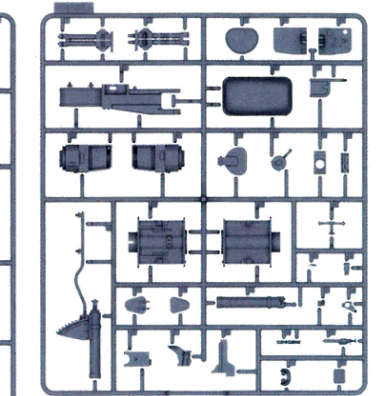
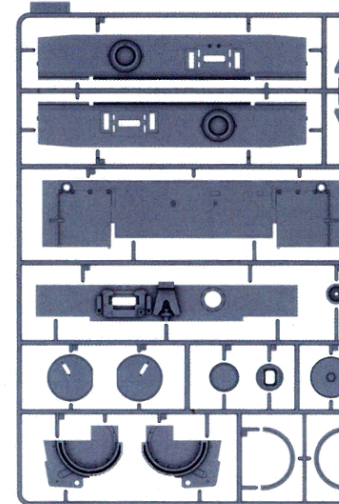
Now ..."let's get started"!

*Andy*

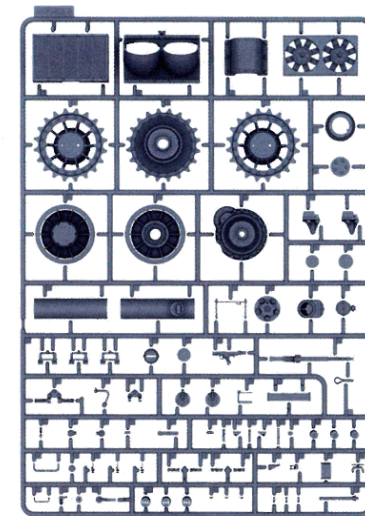




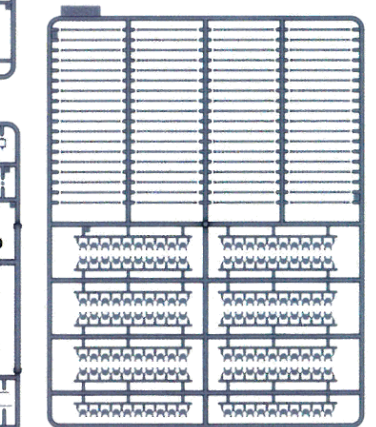
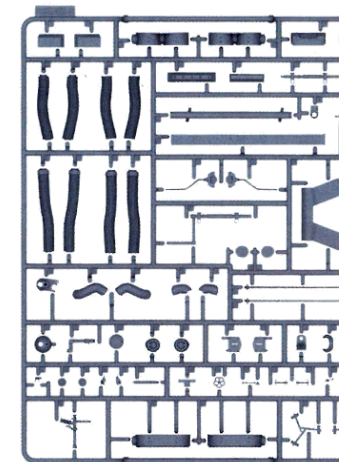
X4



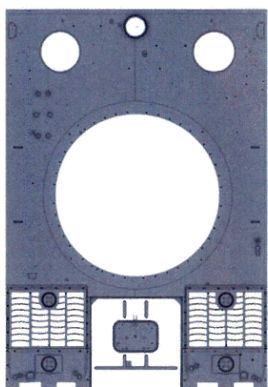
X4



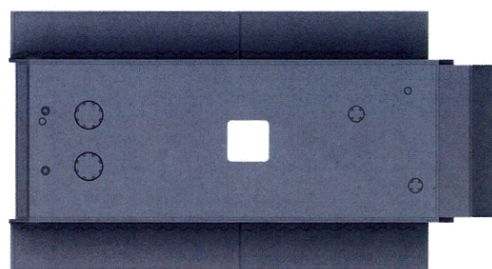
X2



X3



Upper Hull



Lower Hull



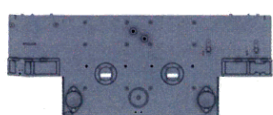
C

Metal Barrel

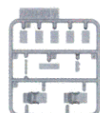


Cable

X21



M



E



D

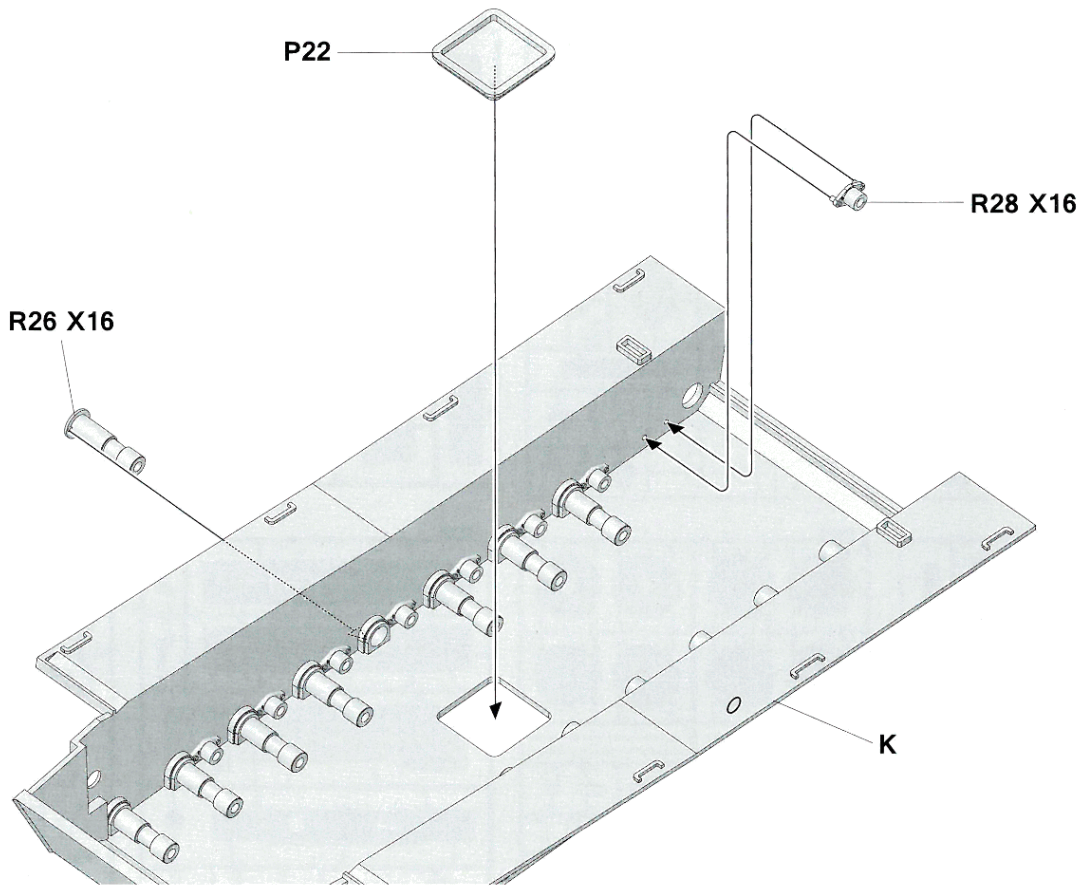


Decal

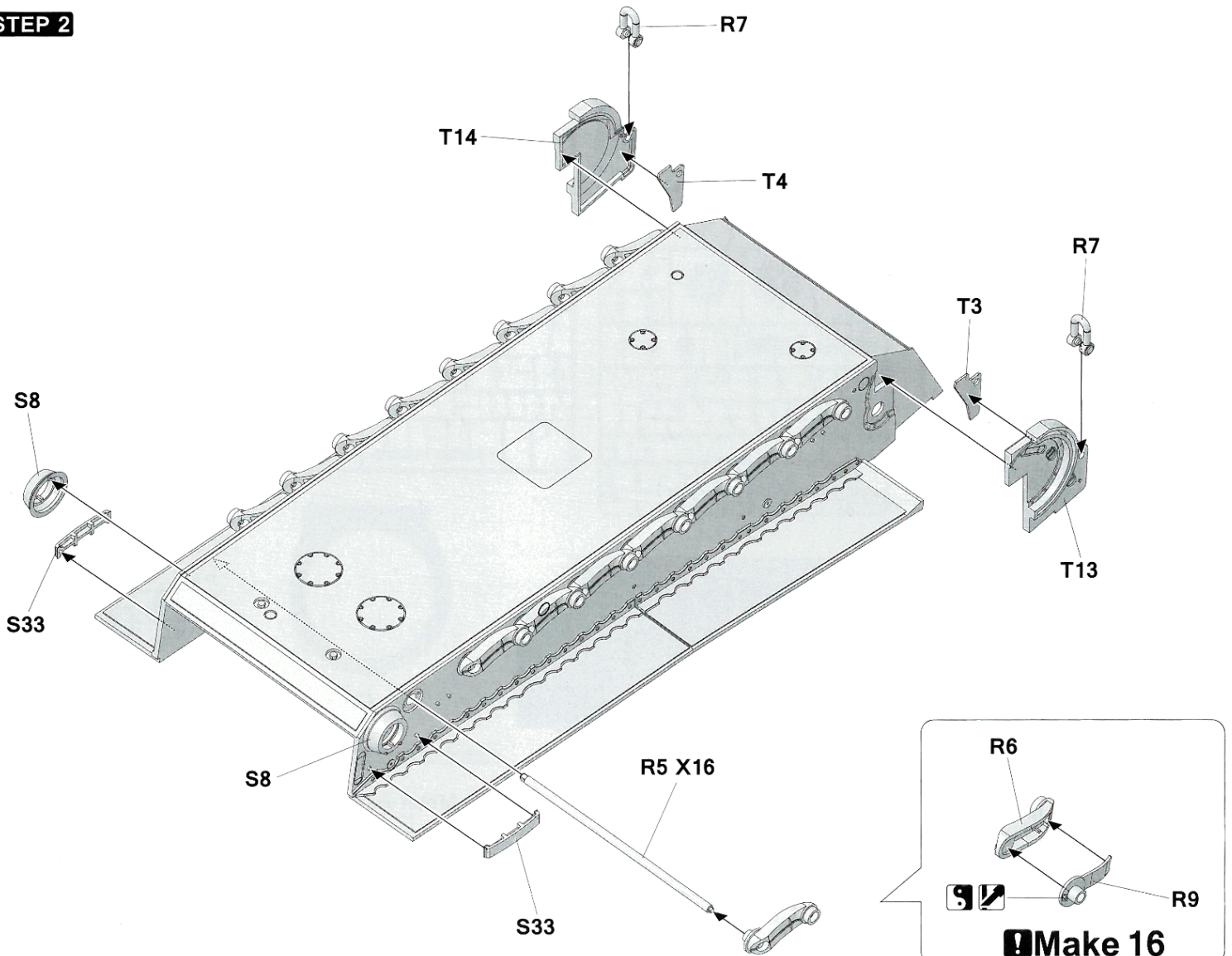


TP

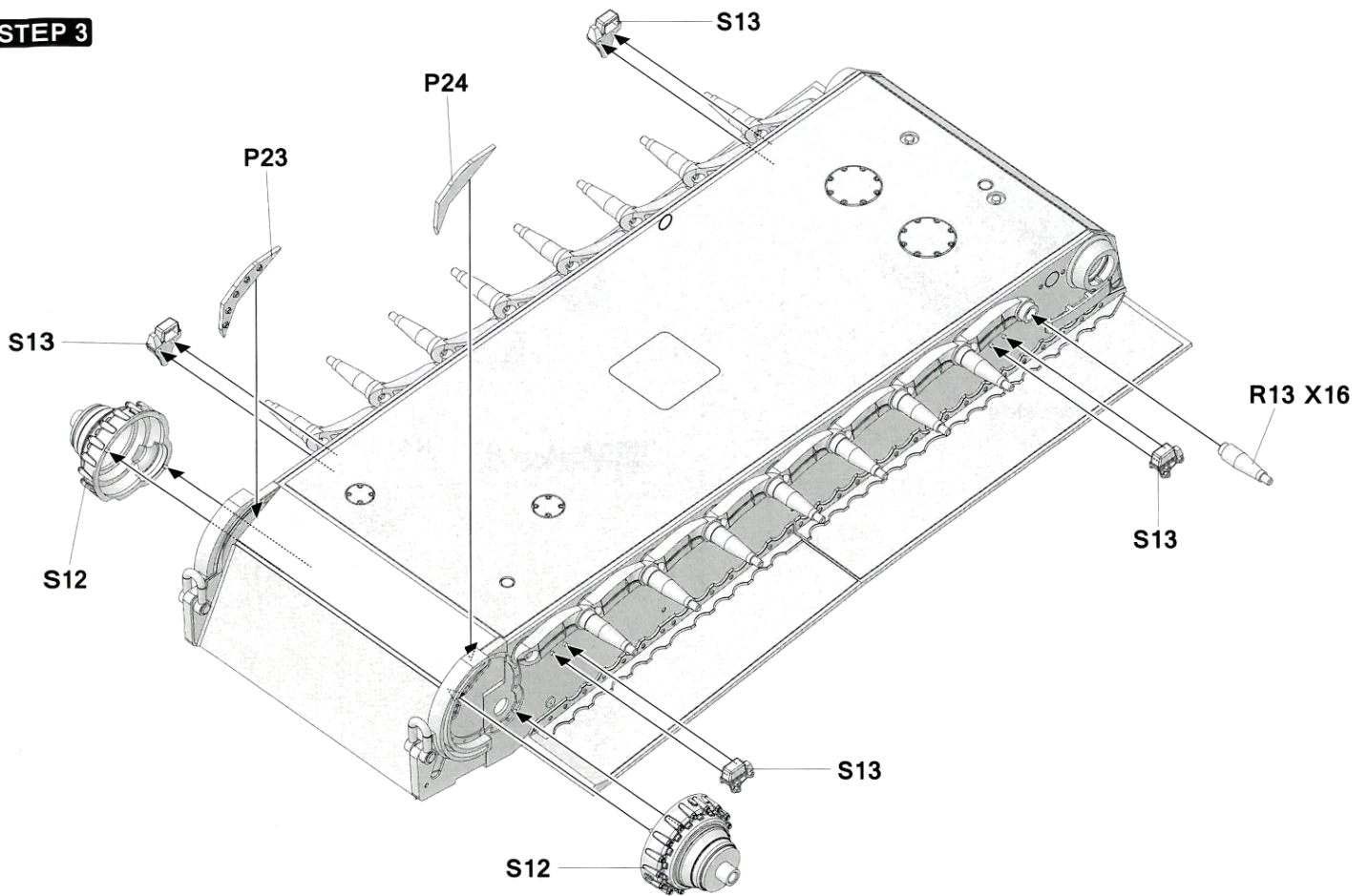
**STEP 1**



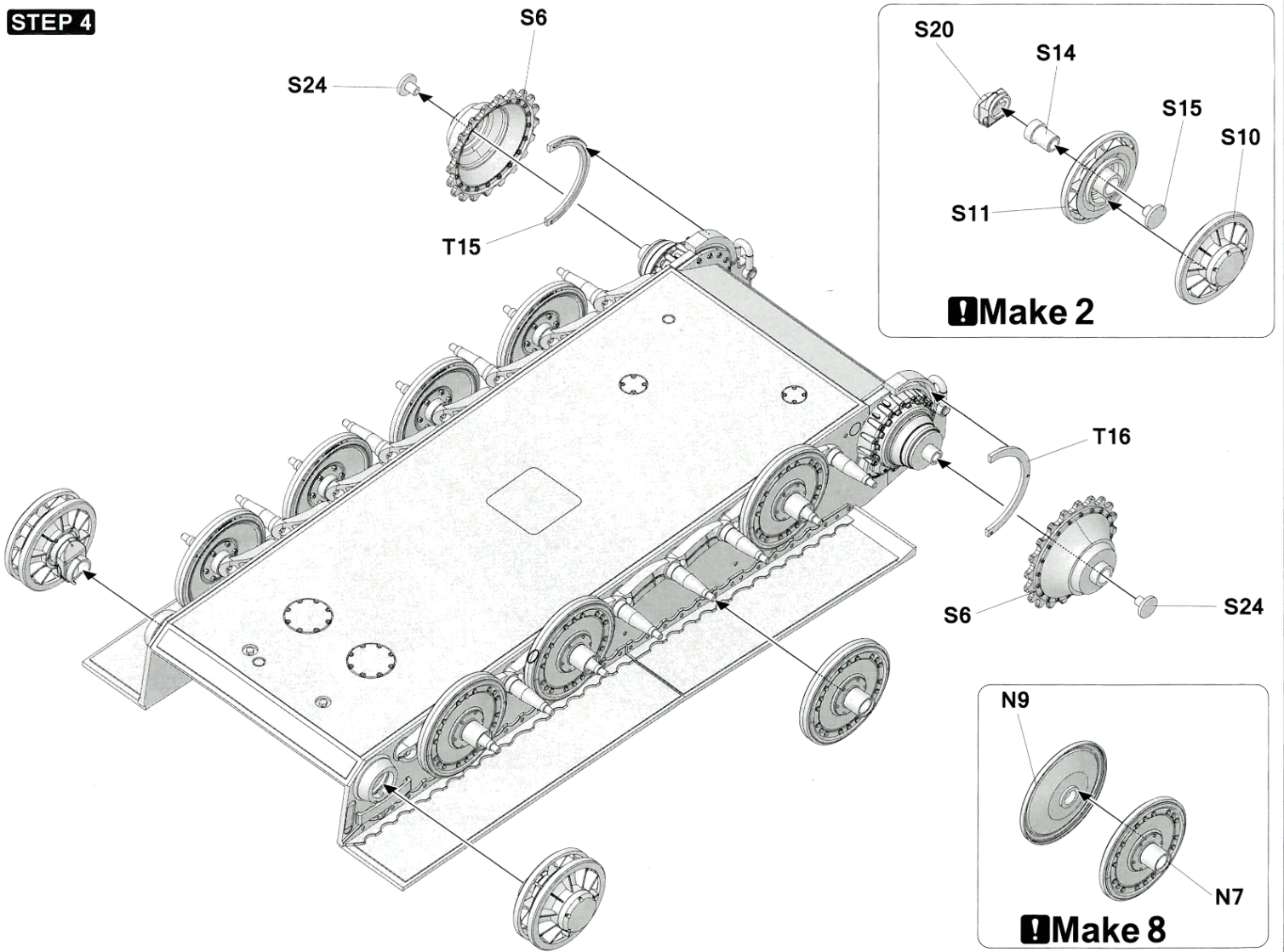
**STEP 2**



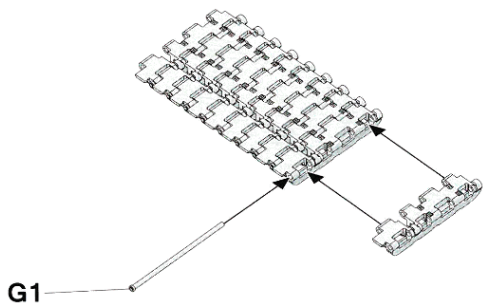
**STEP 3**



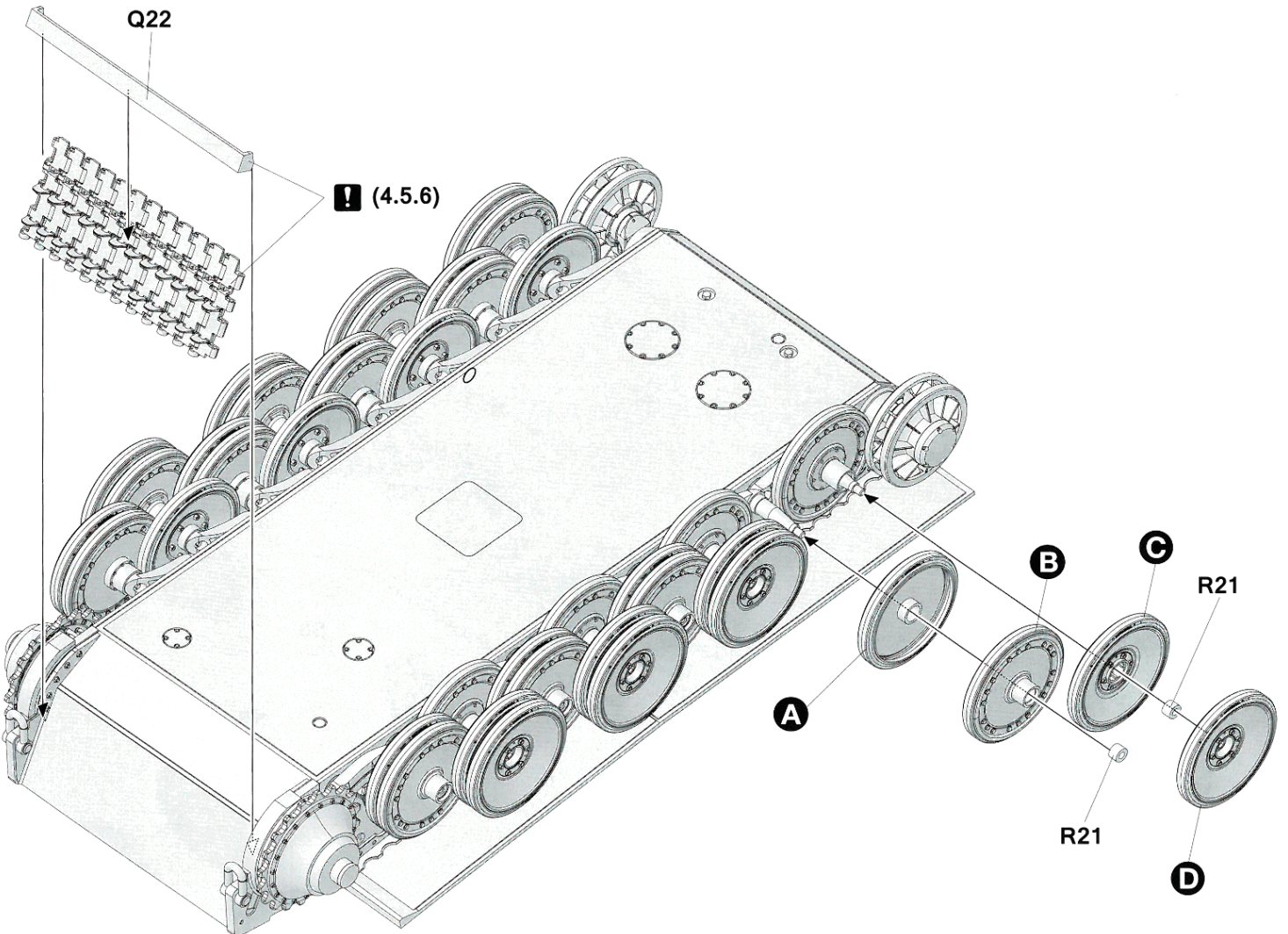
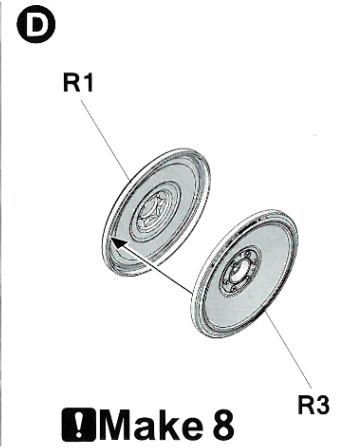
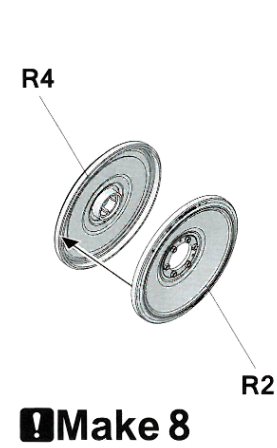
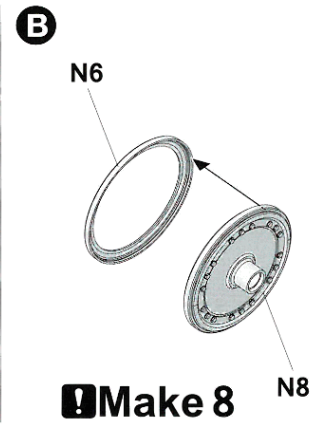
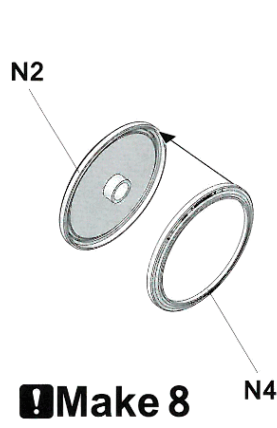
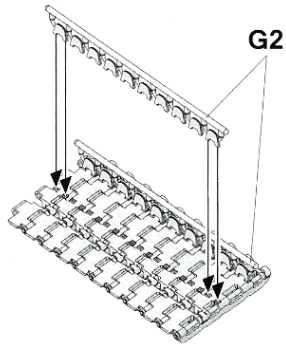
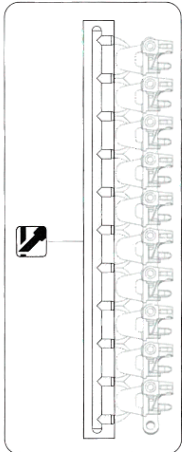
**STEP 4**



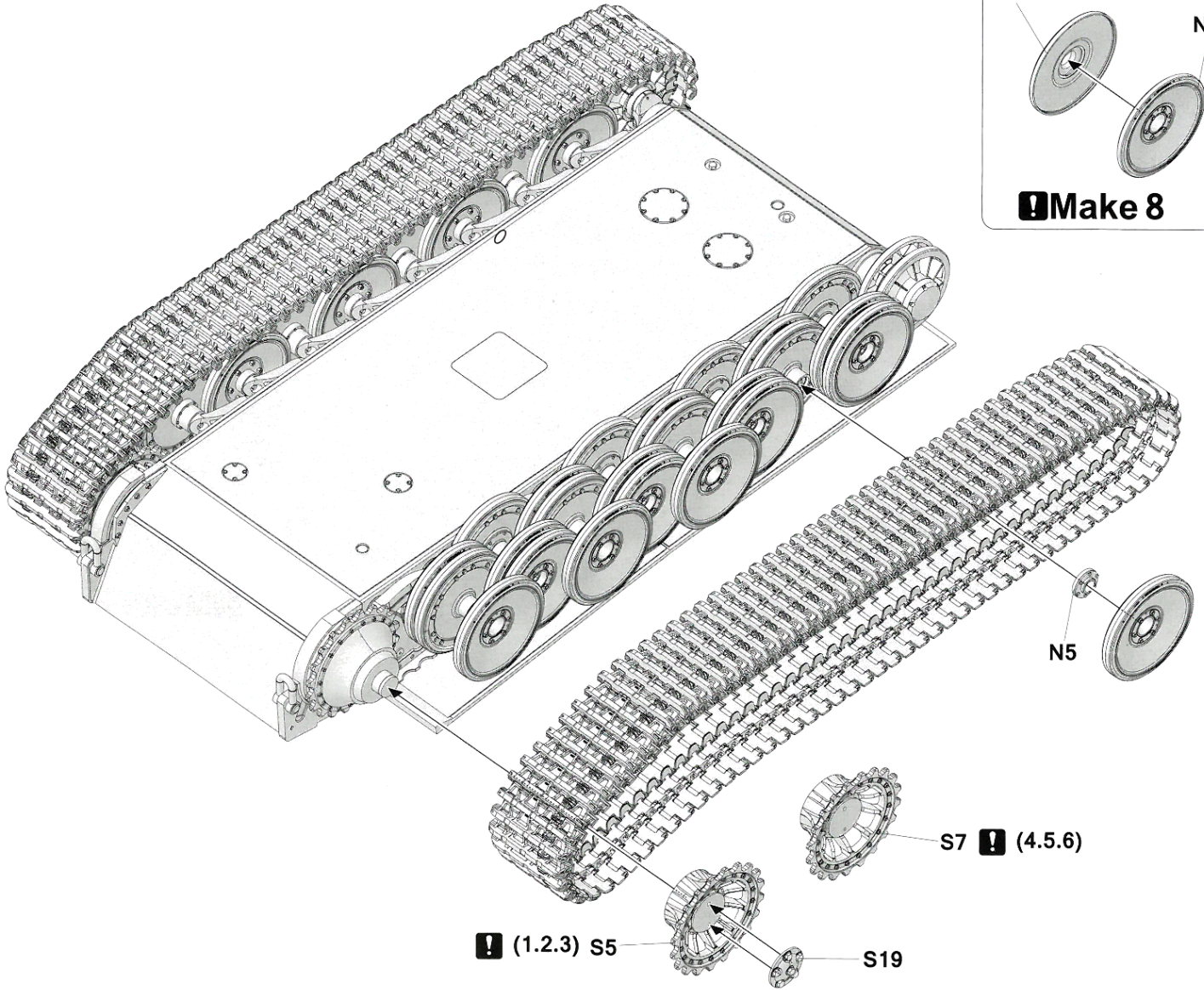
**STEP 5**



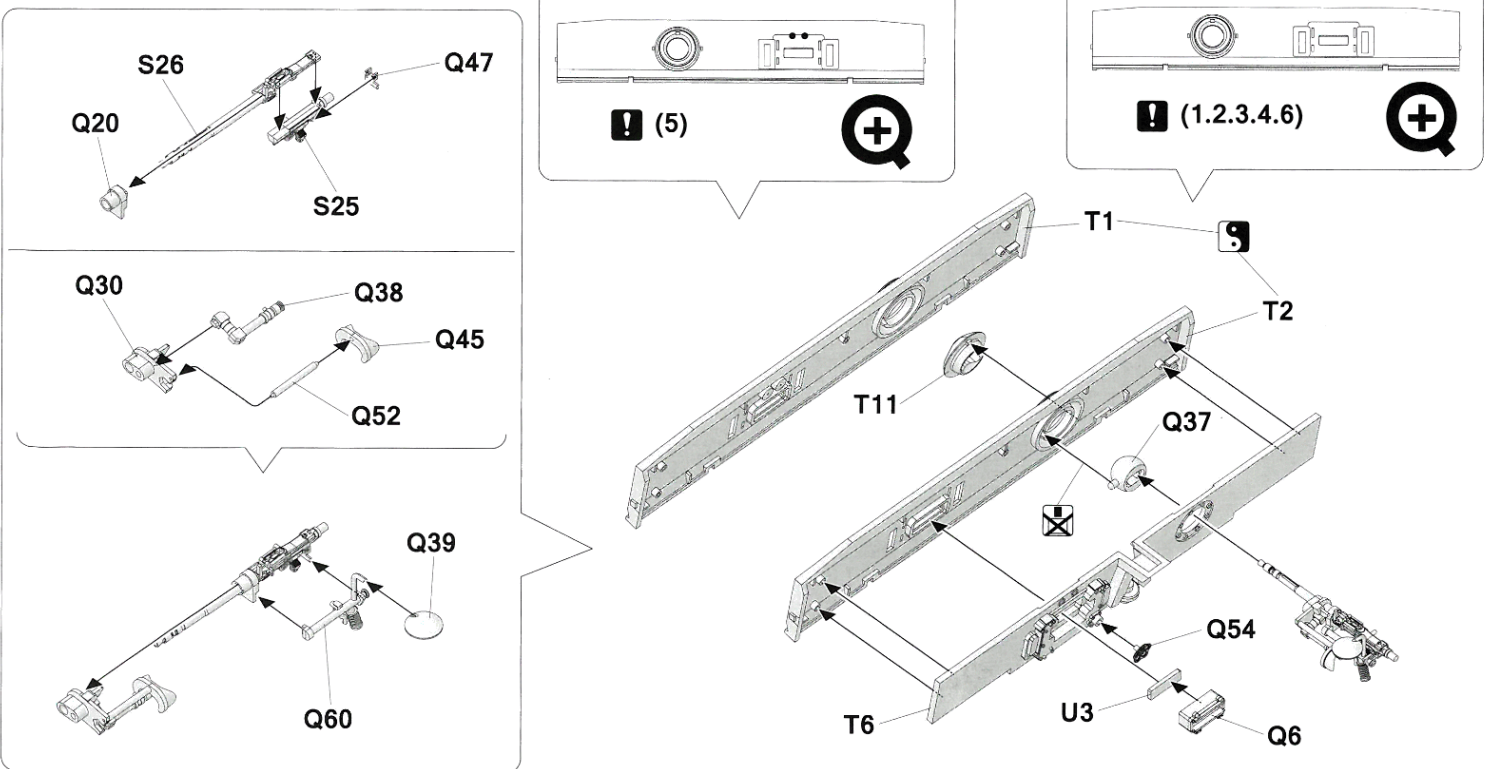
96 for one side




**STEP 6**



**STEP 7**



**STEP 8**

 (1.4.5.6)

H3

S4

S1

S2

 **Make 2**

J9

J8

S35

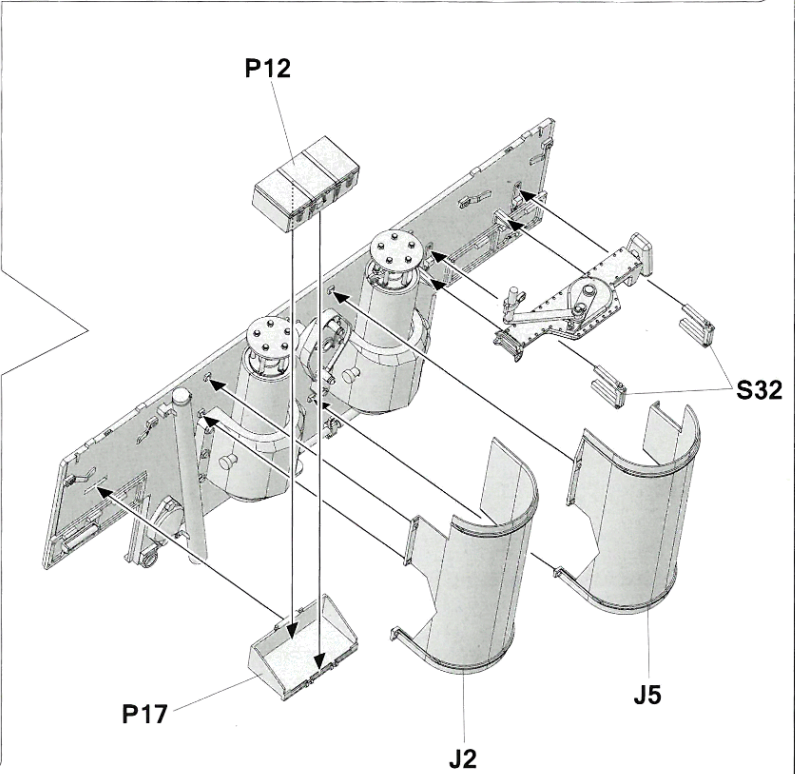
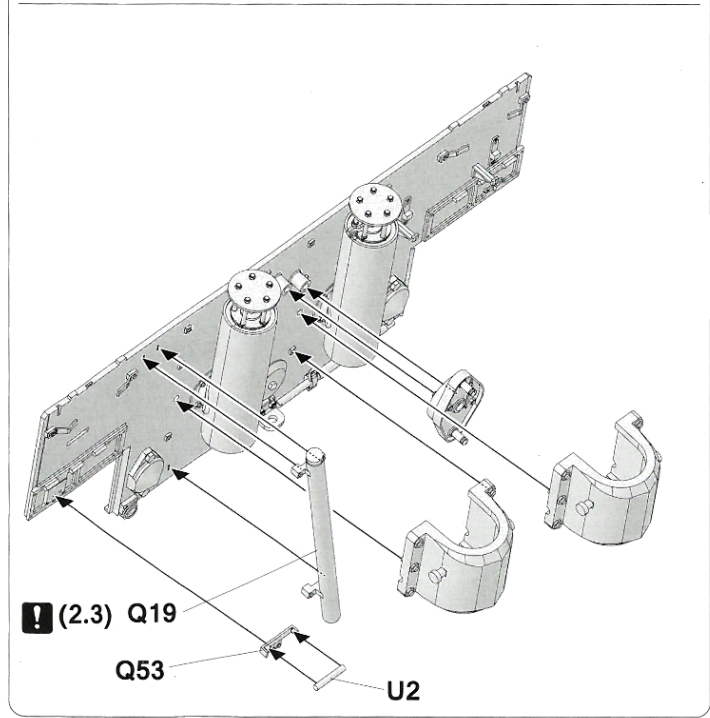
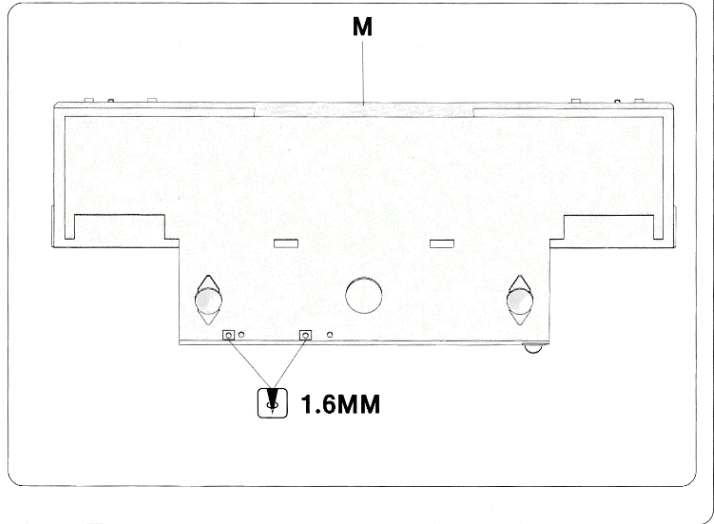
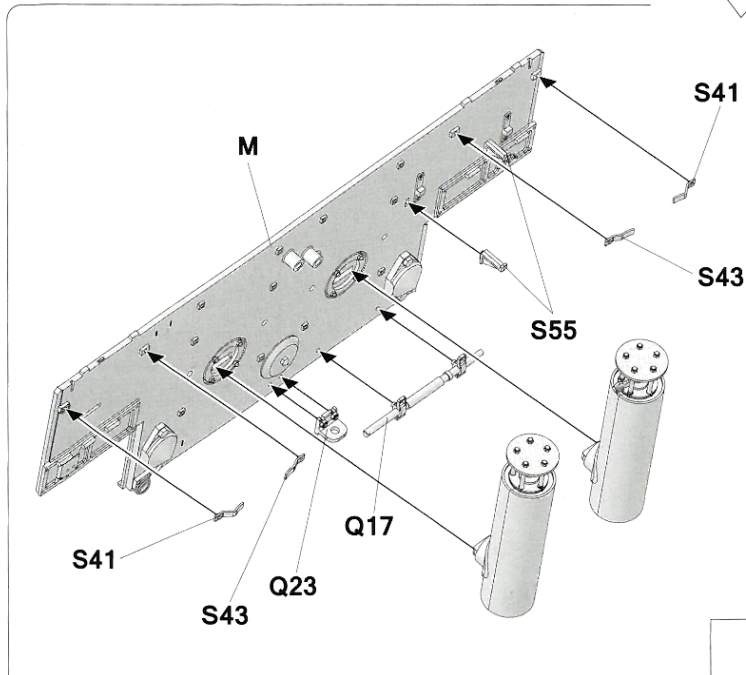
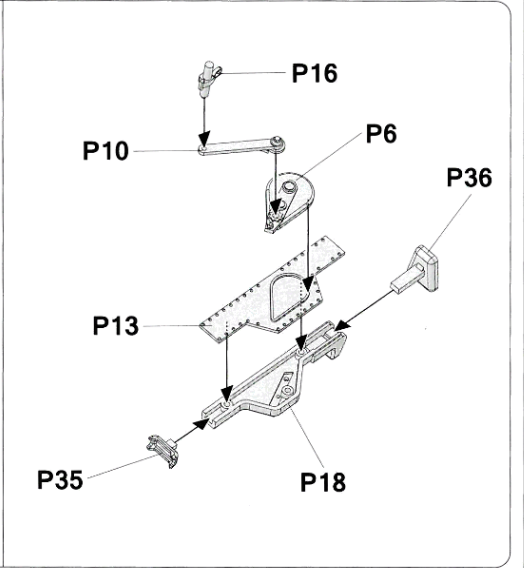
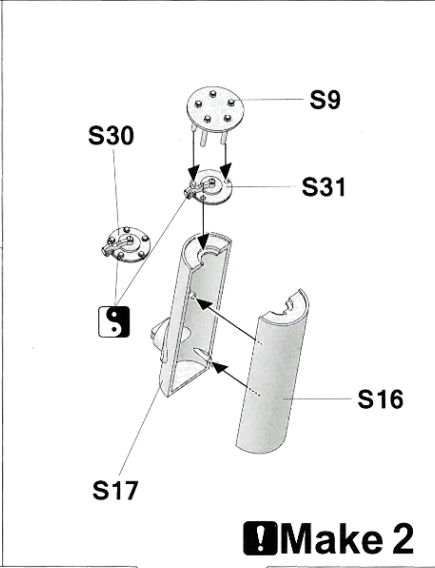
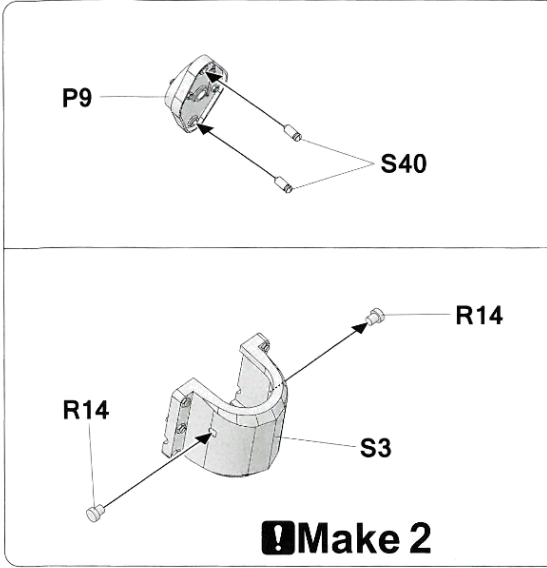
H3

H2

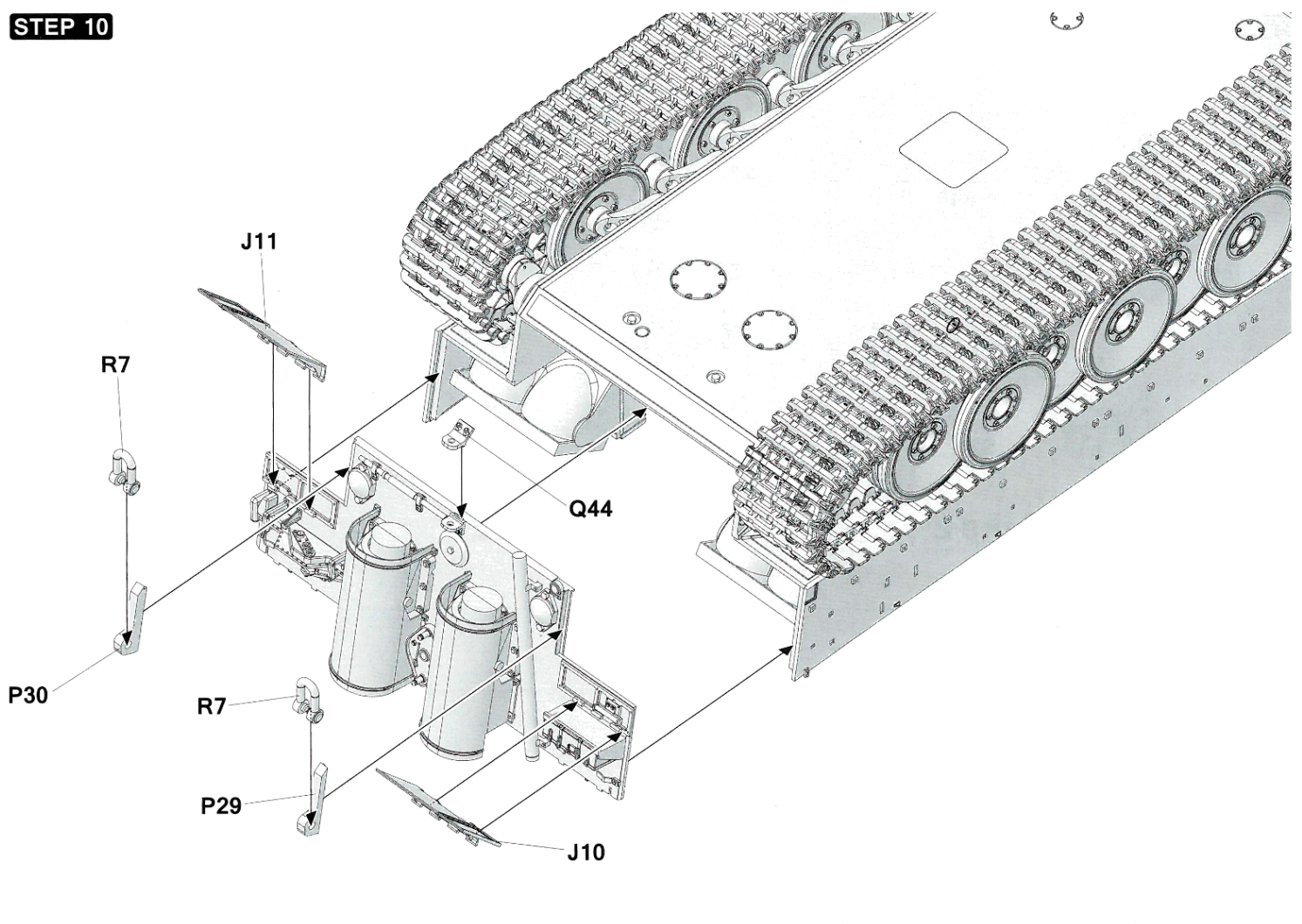
H1

H4

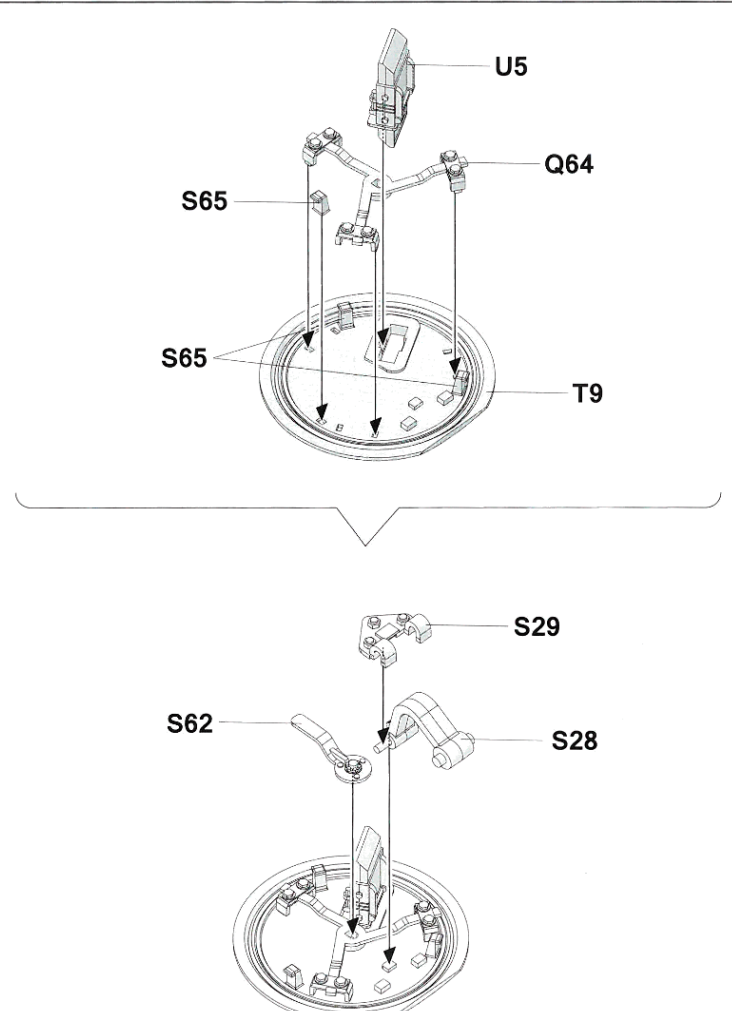
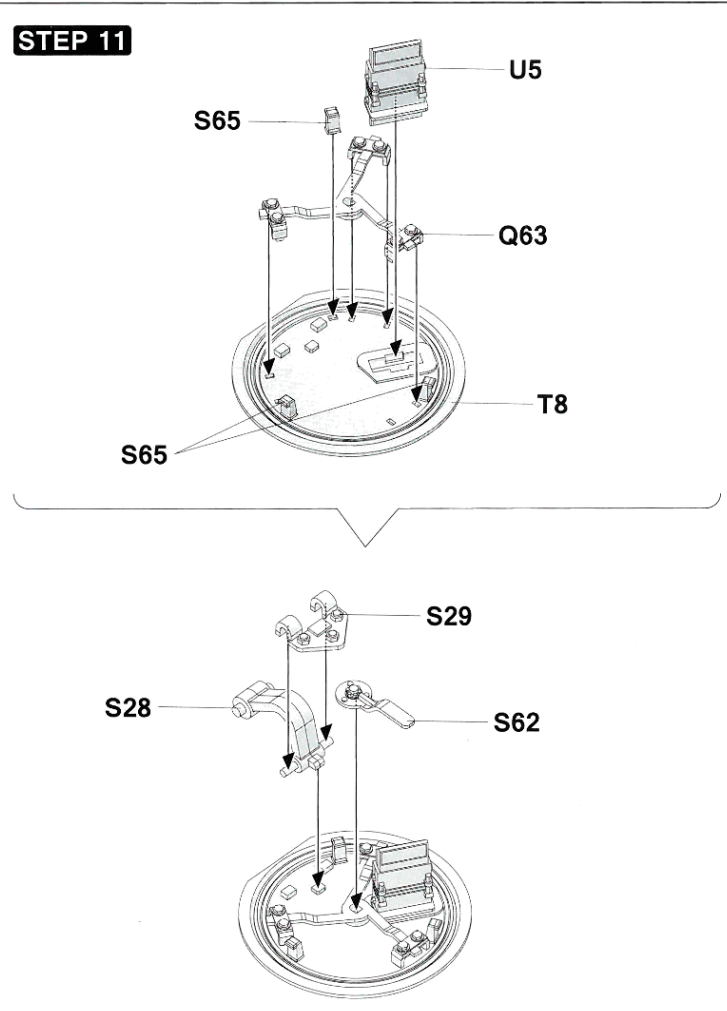
**STEP 9**



**STEP 10**

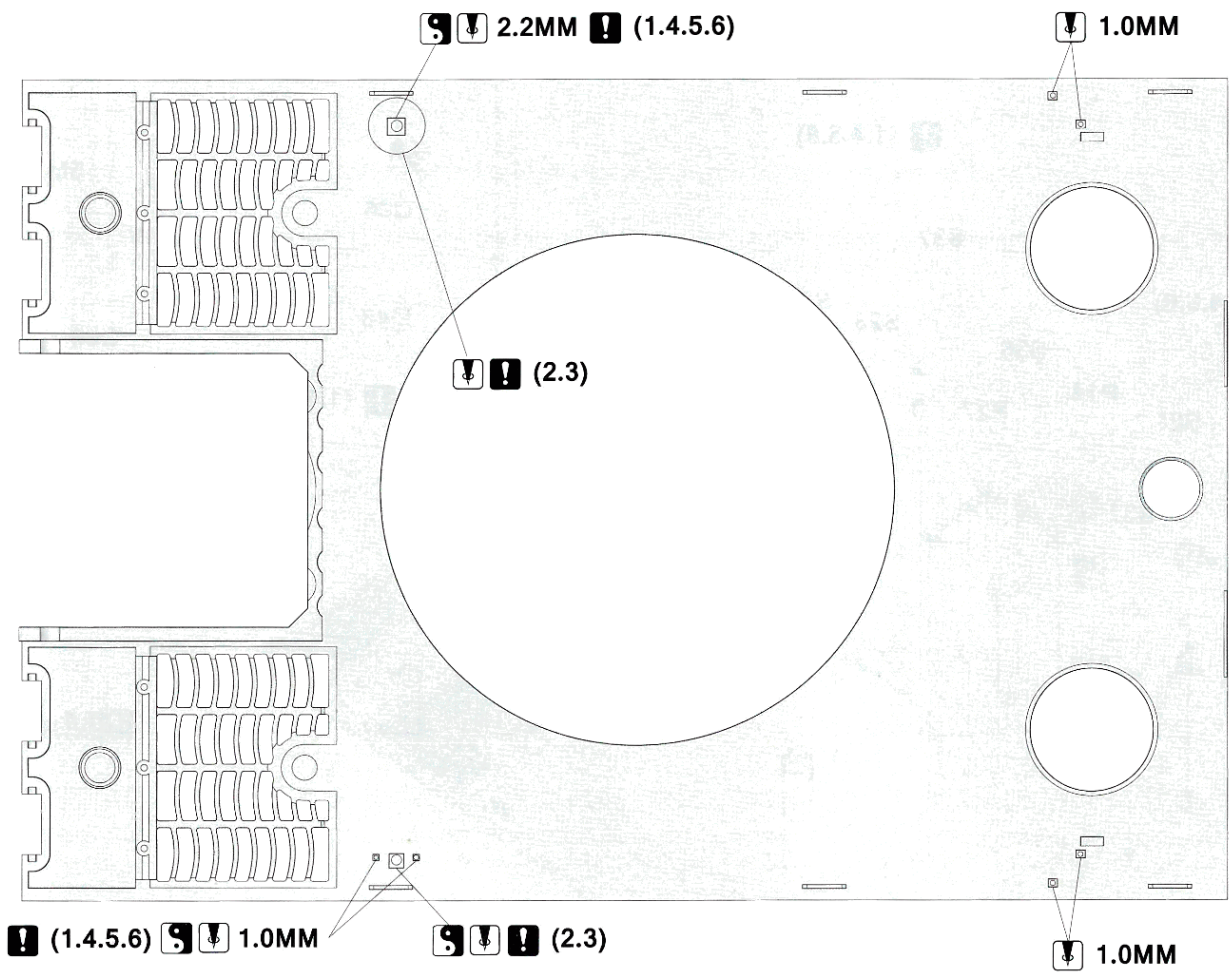
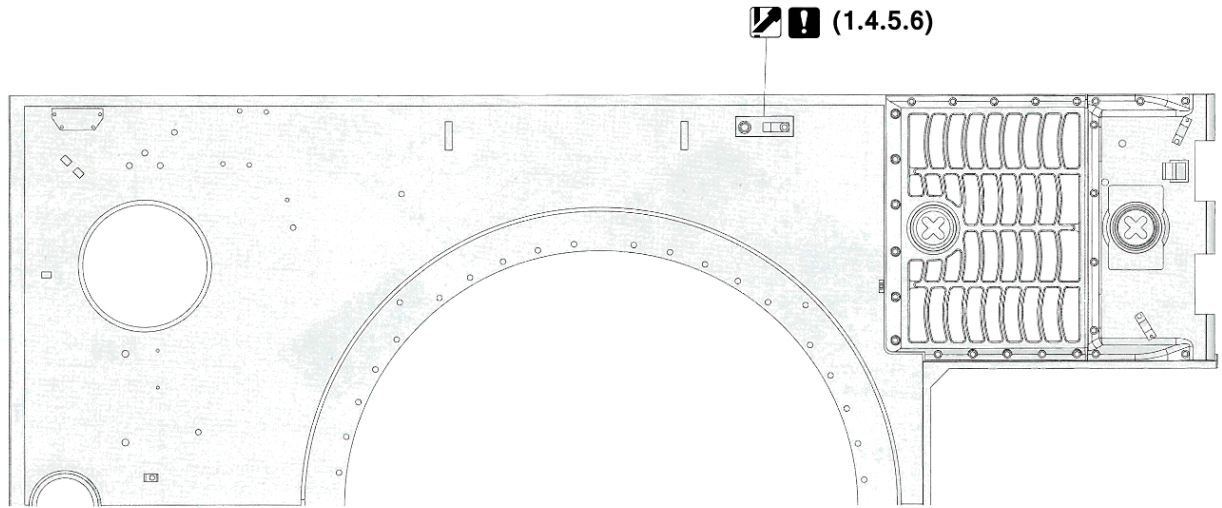


**STEP 11**

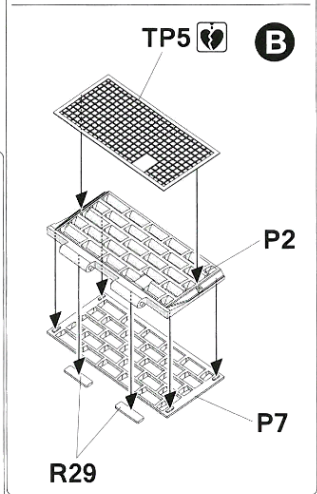
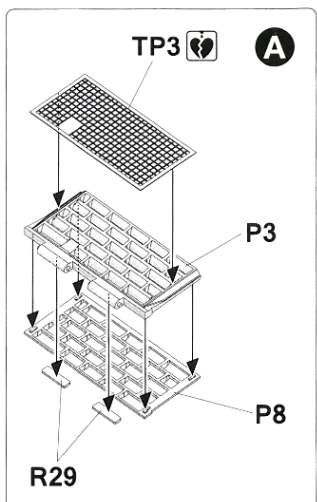
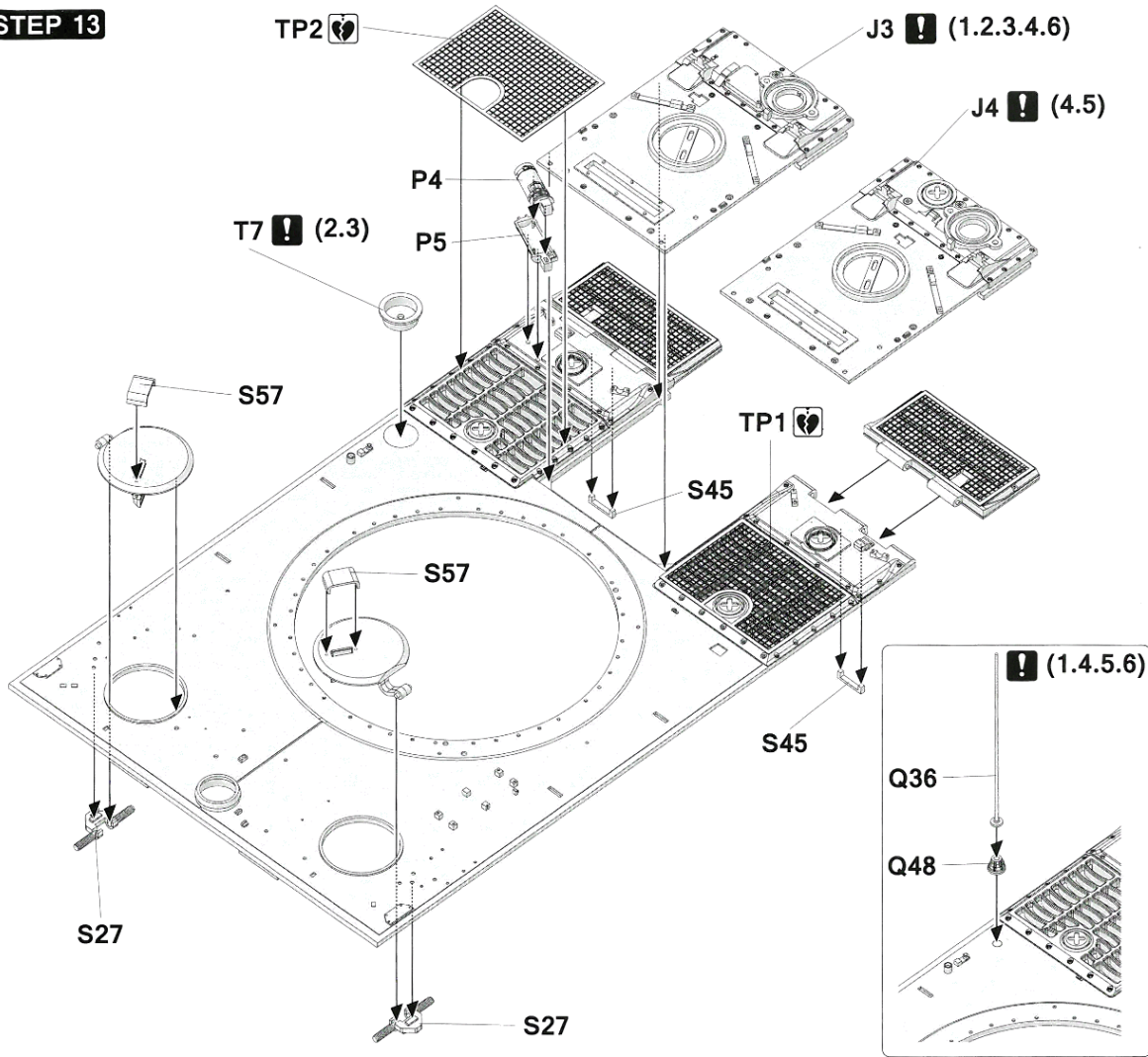




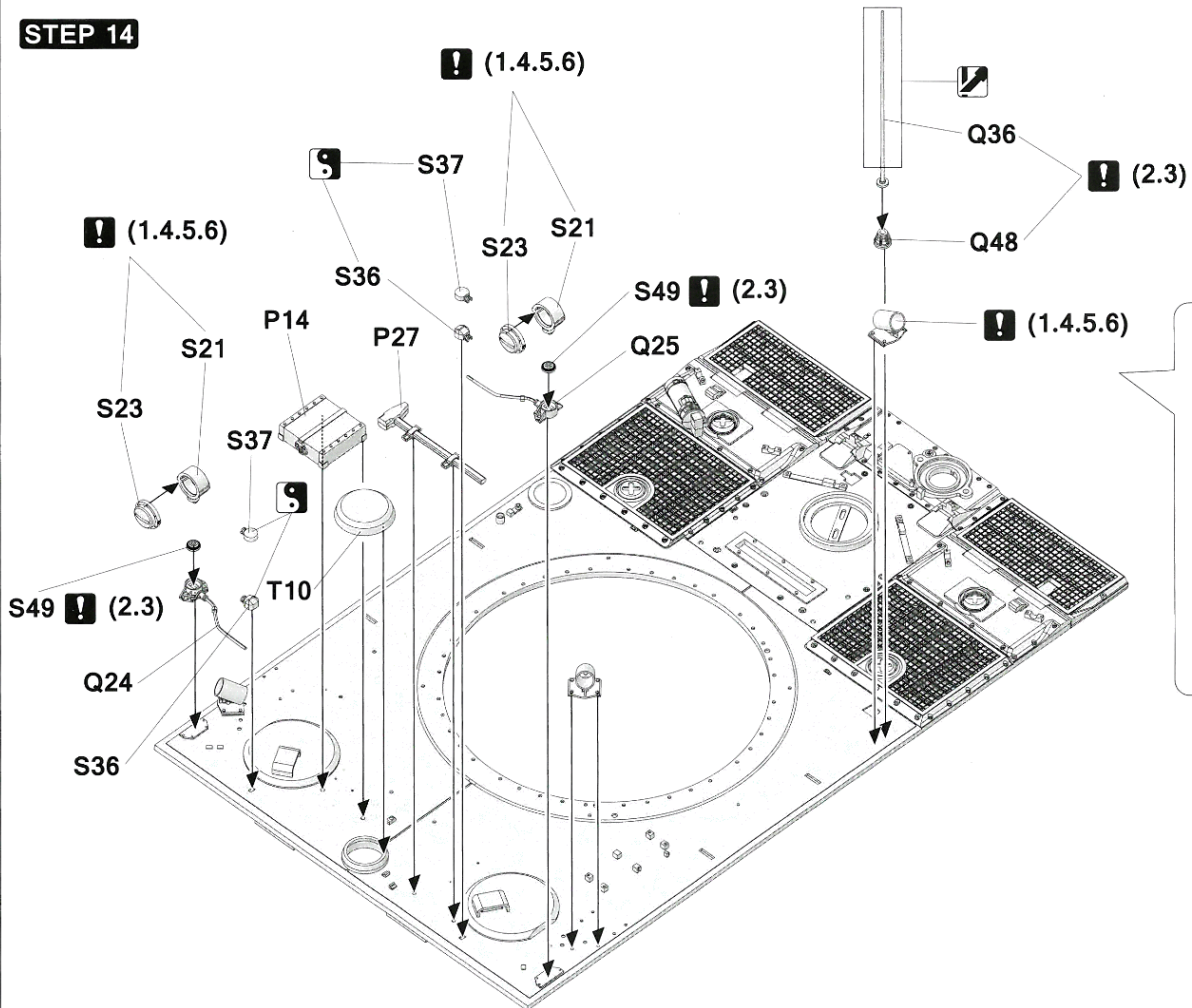
**STEP 12**



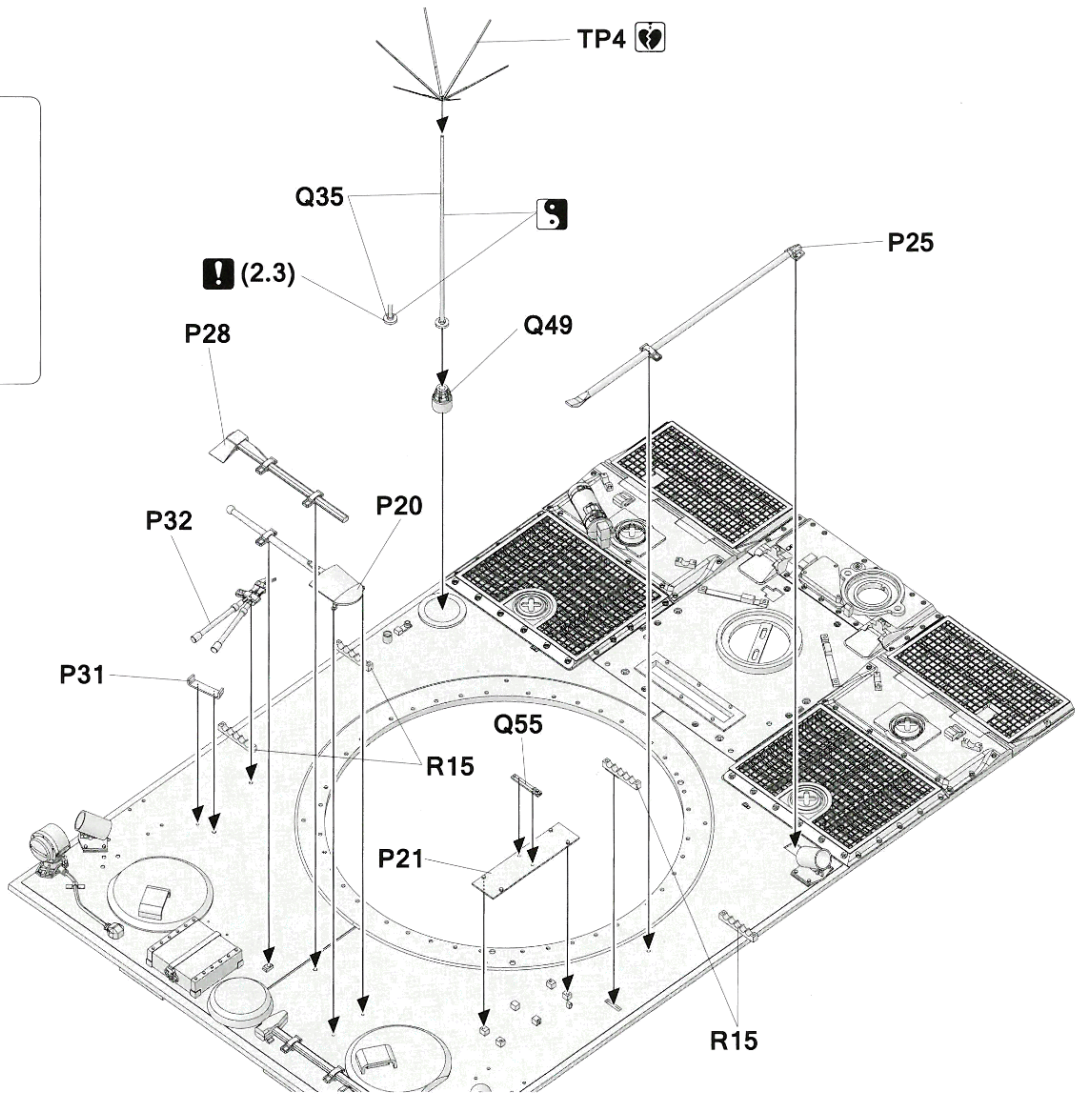
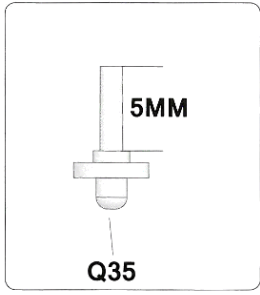
**STEP 13**



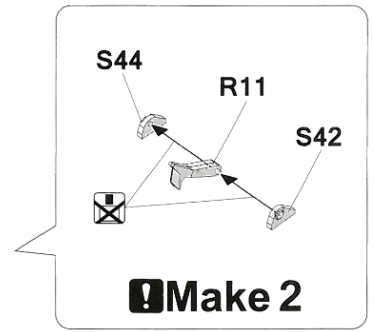
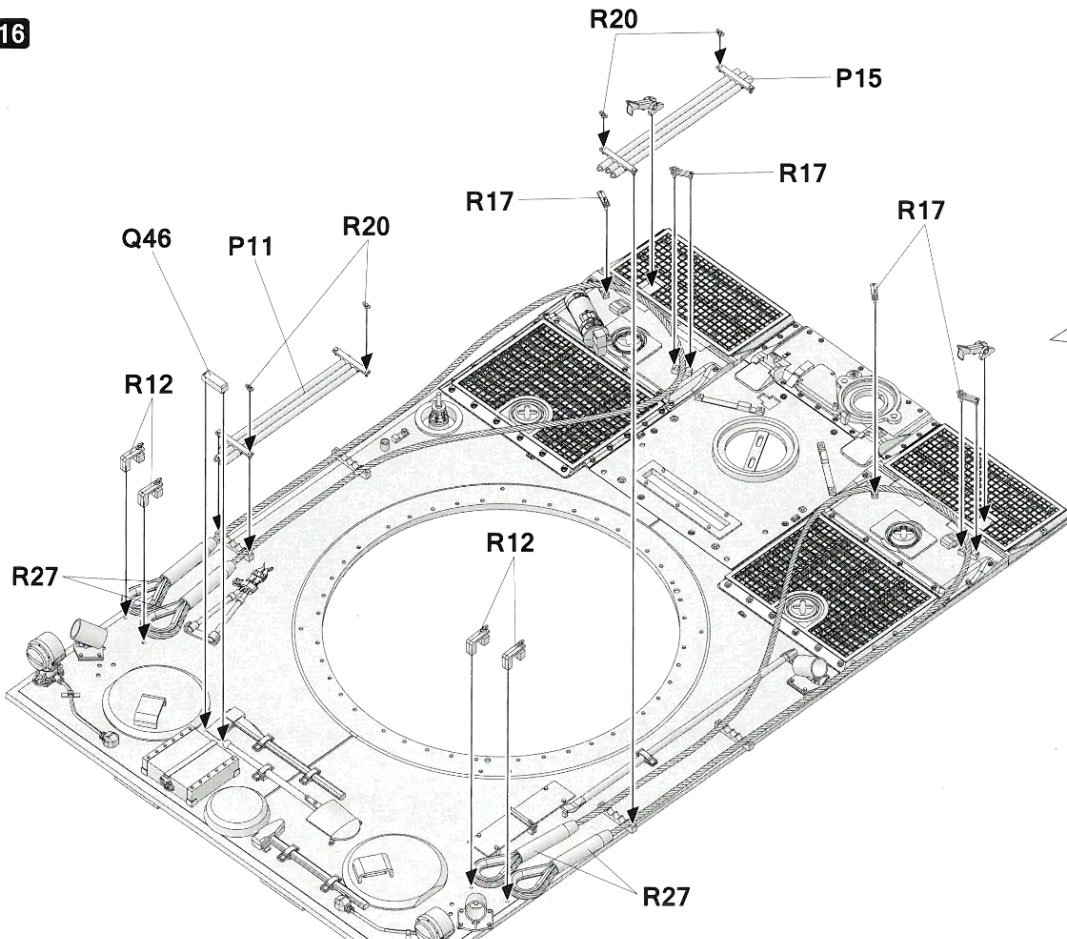
**STEP 14**



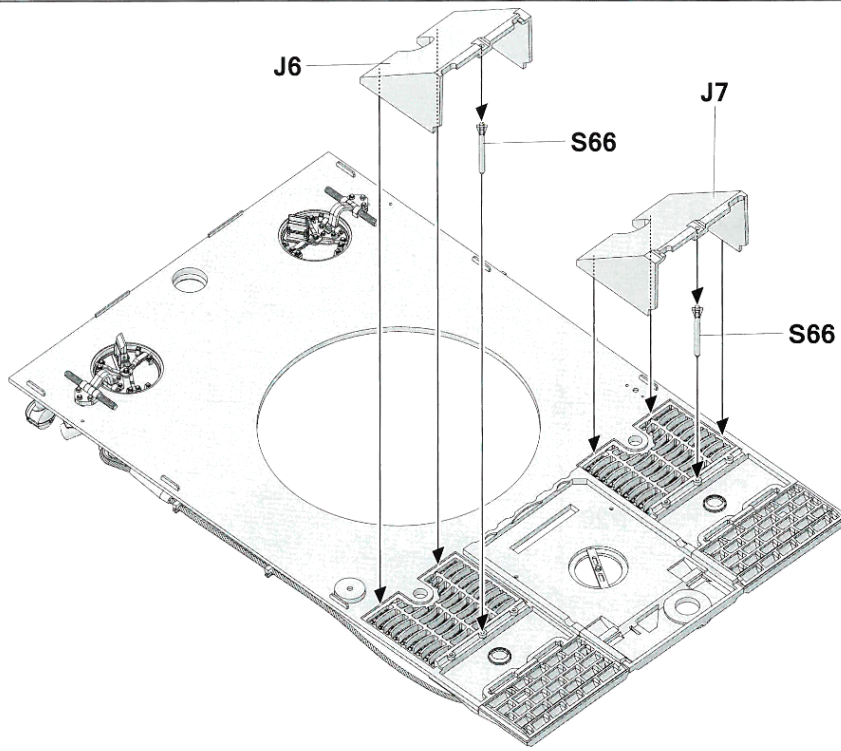
**STEP 15**



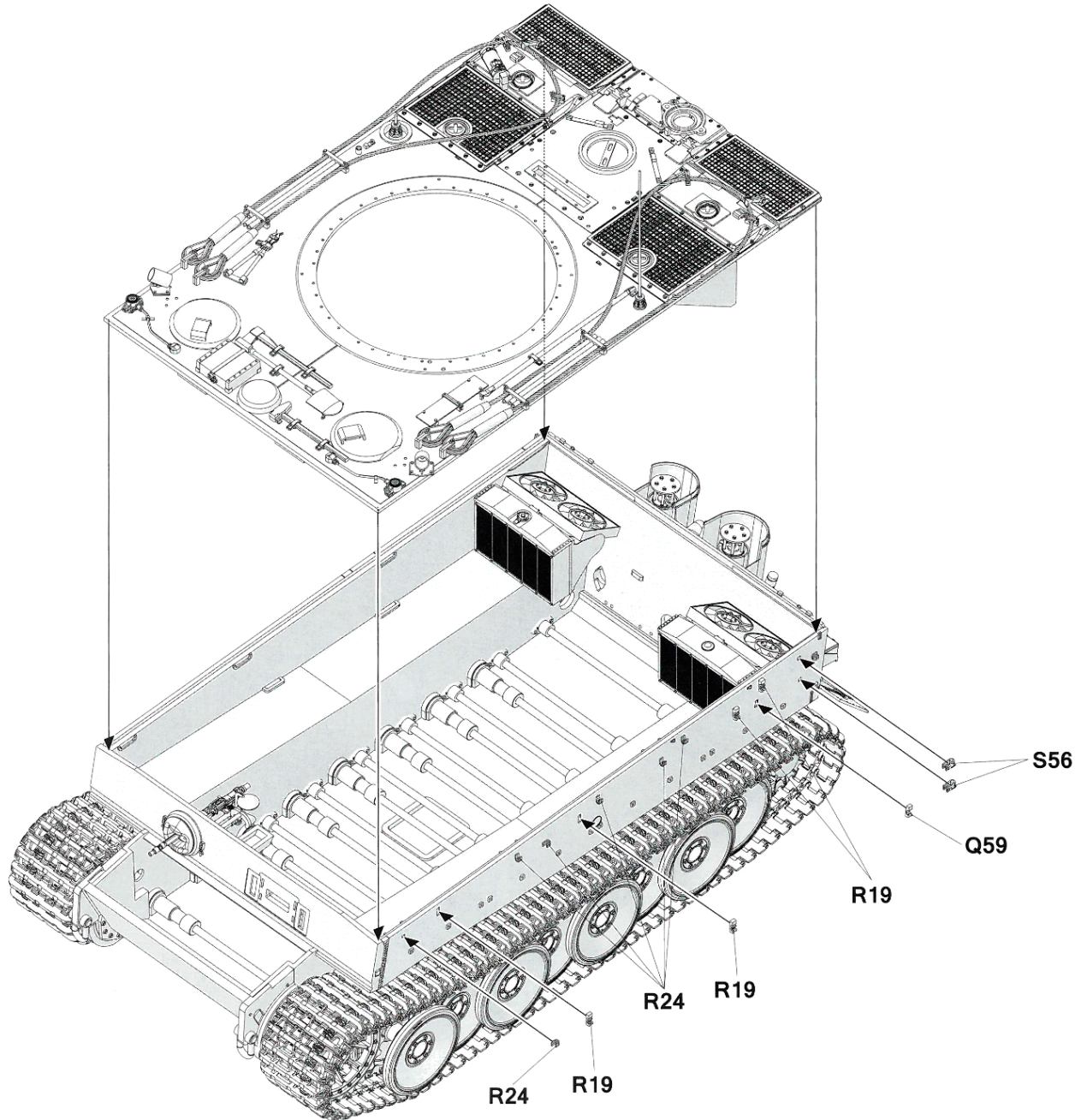
**STEP 16**



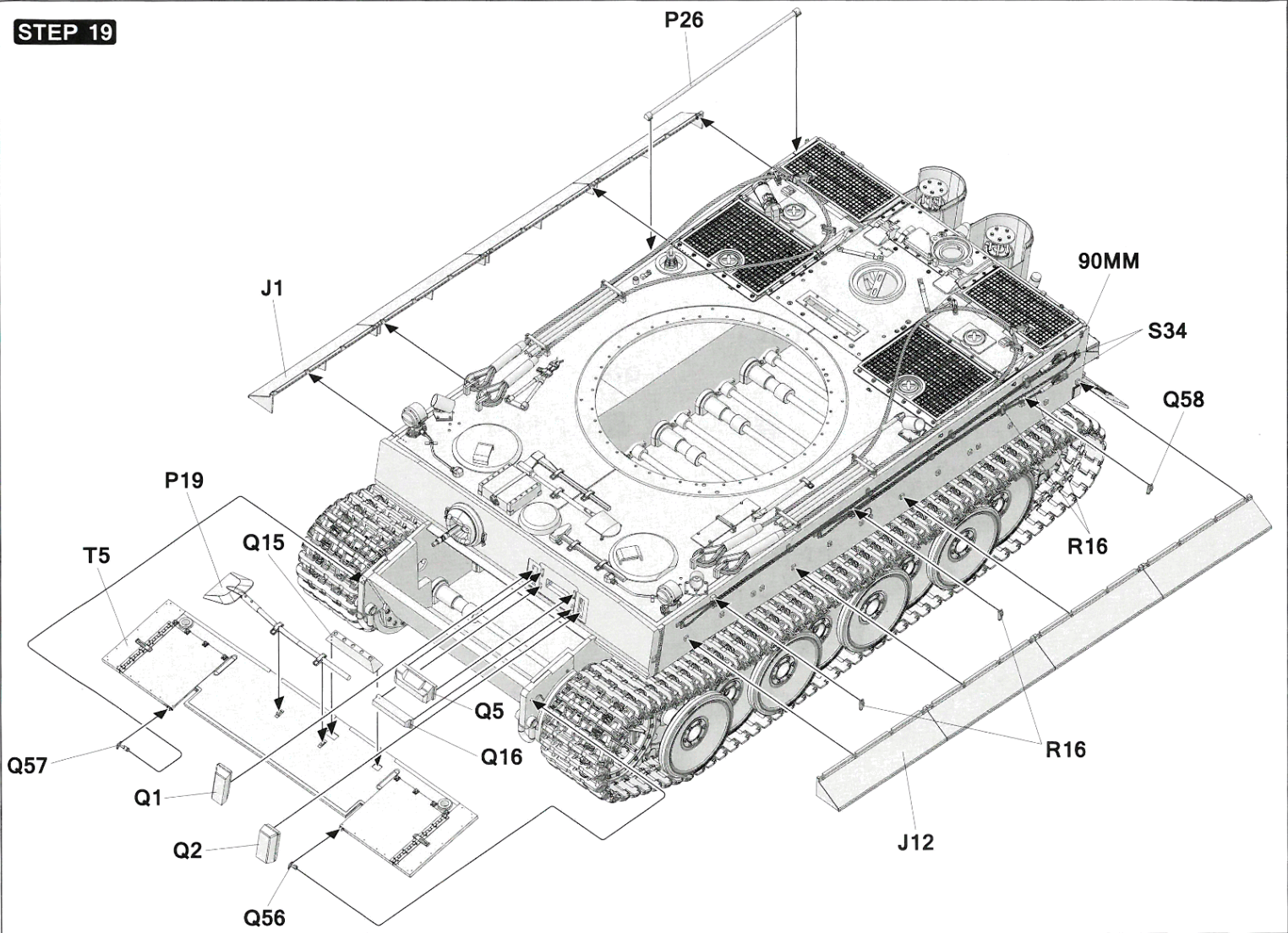
**STEP 17**



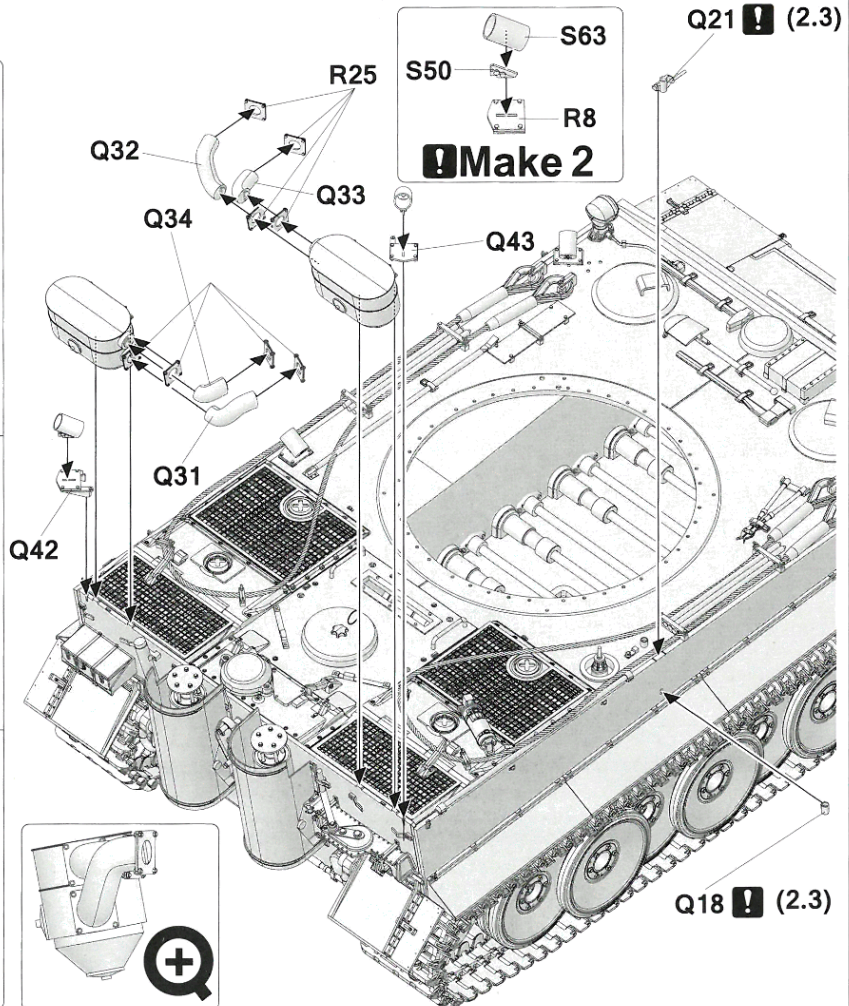
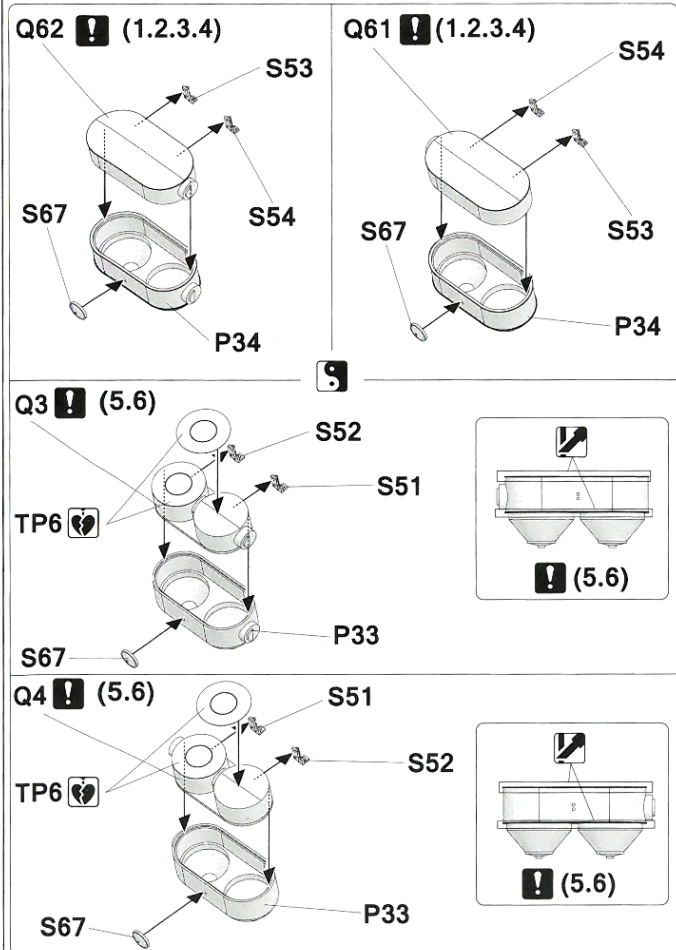
**STEP 18**



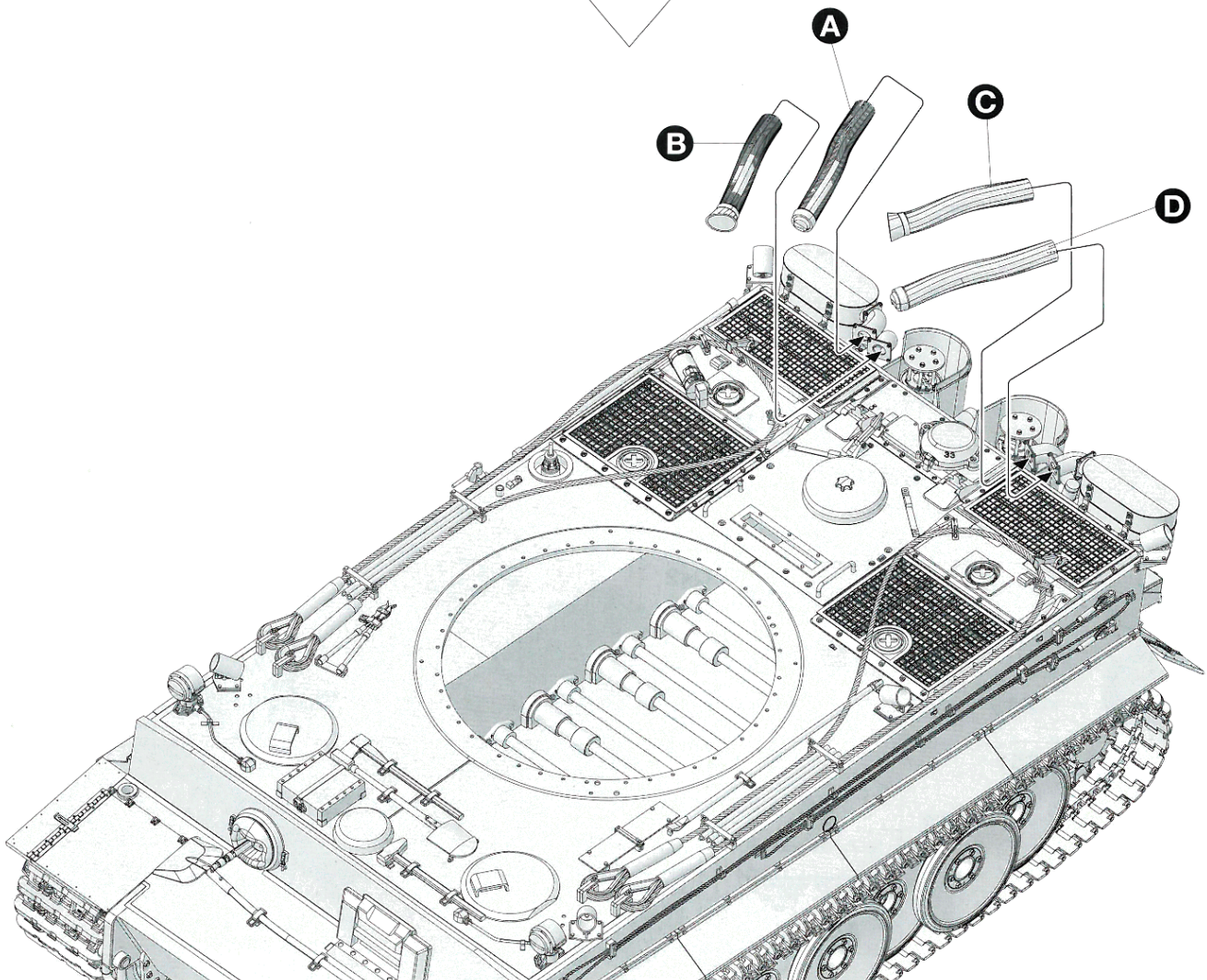
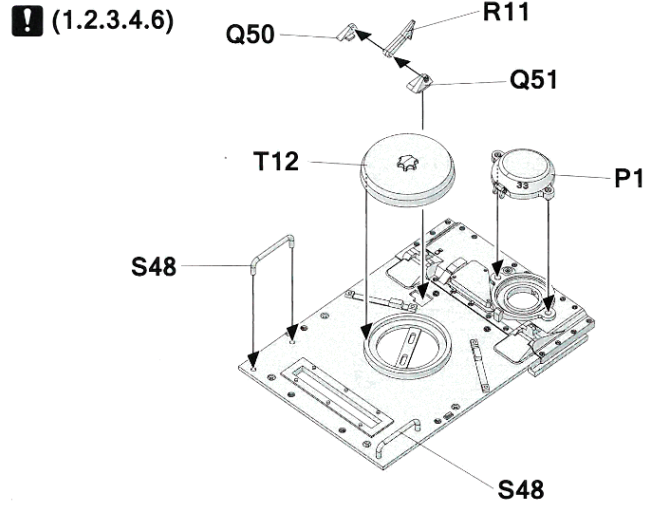
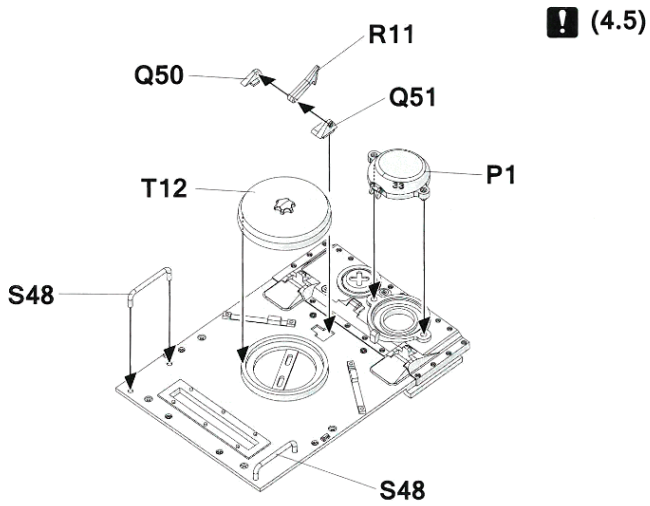
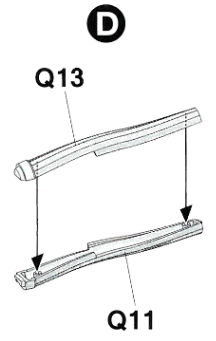
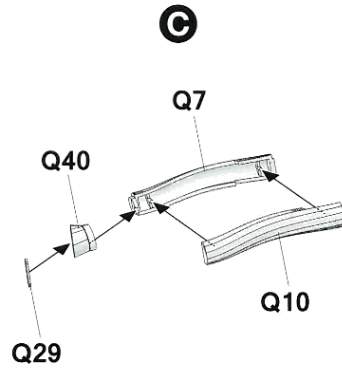
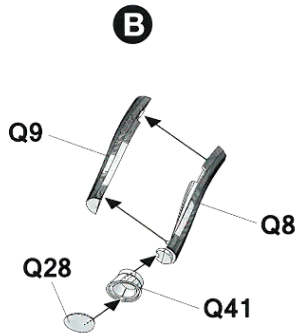
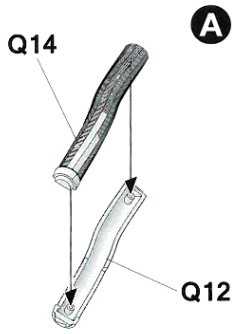
**STEP 19**



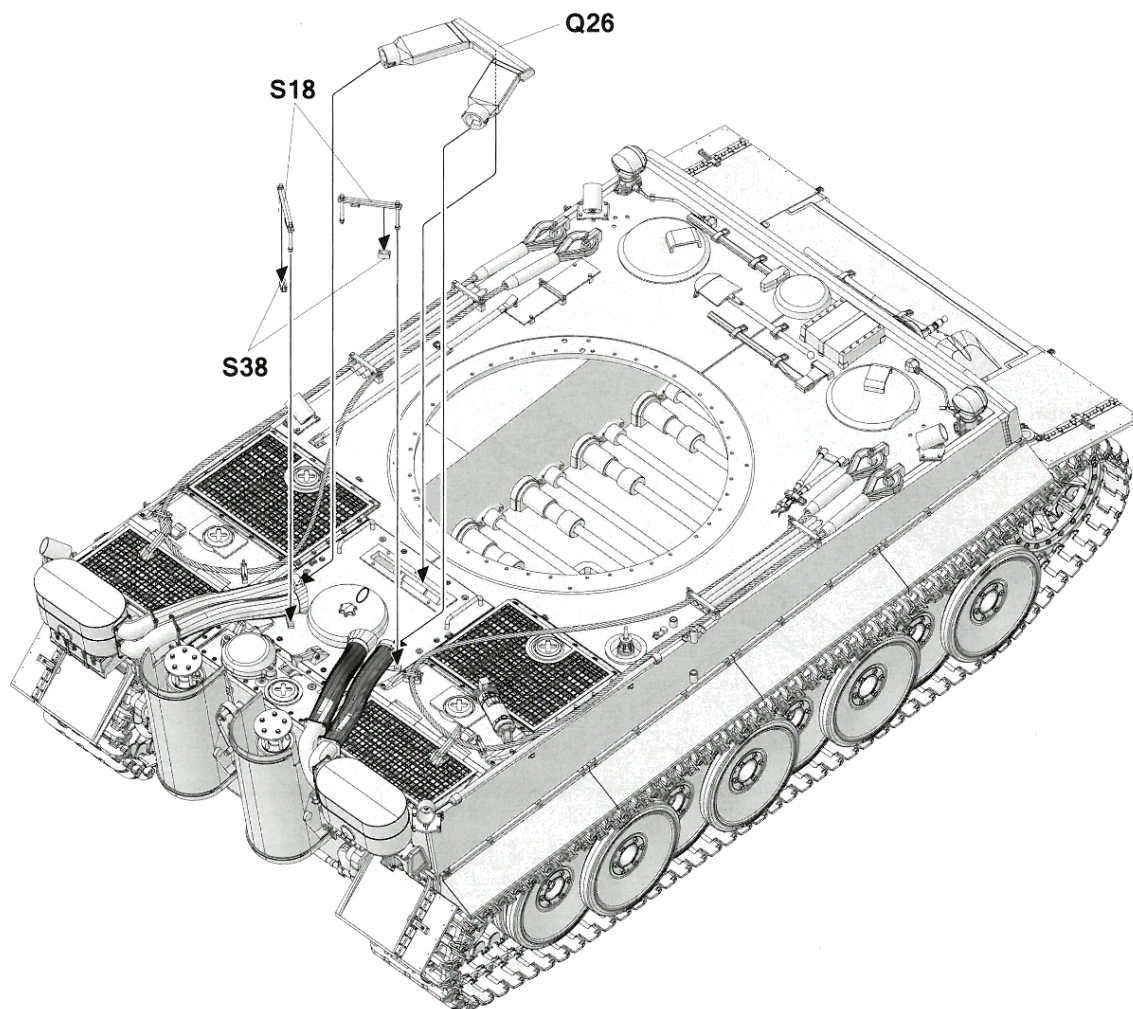
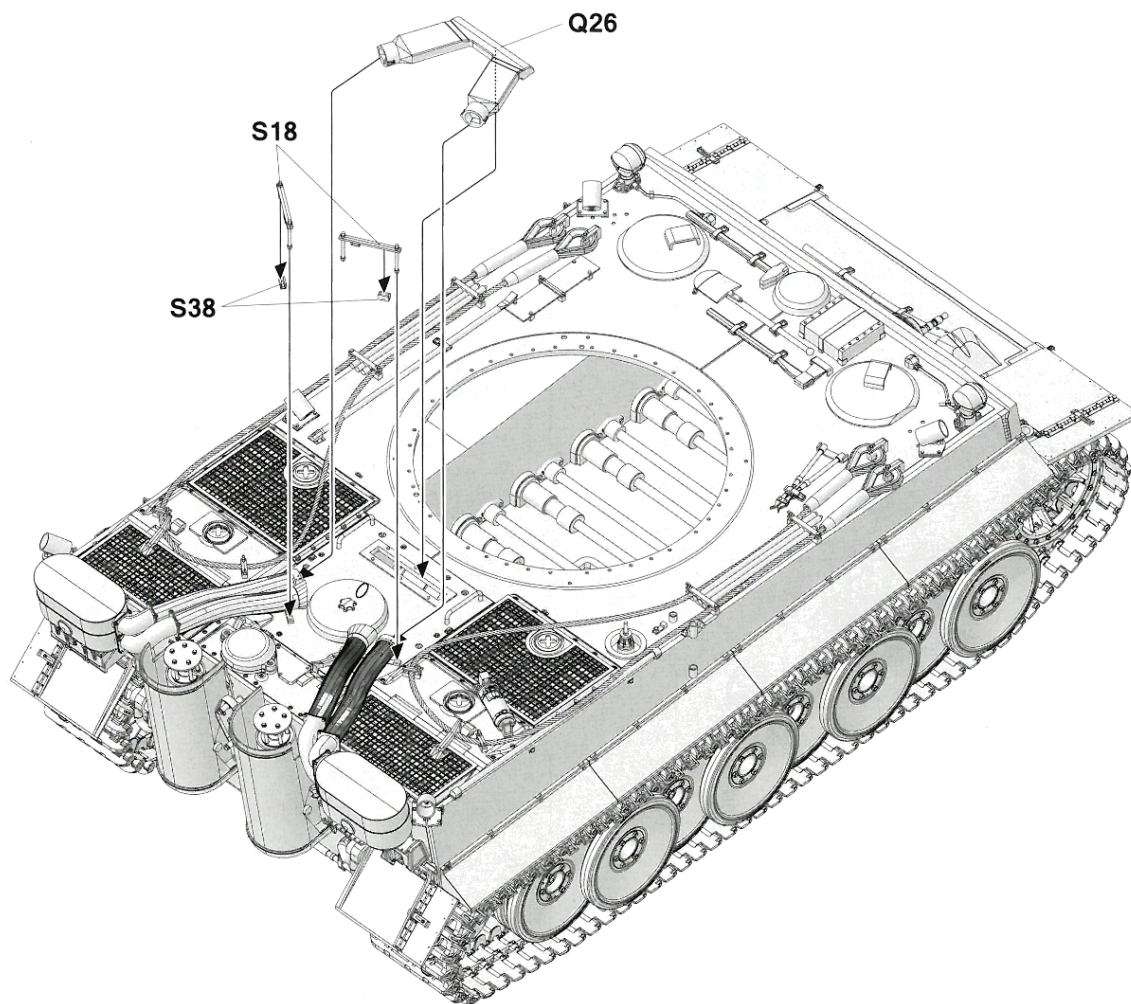
**STEP 20**



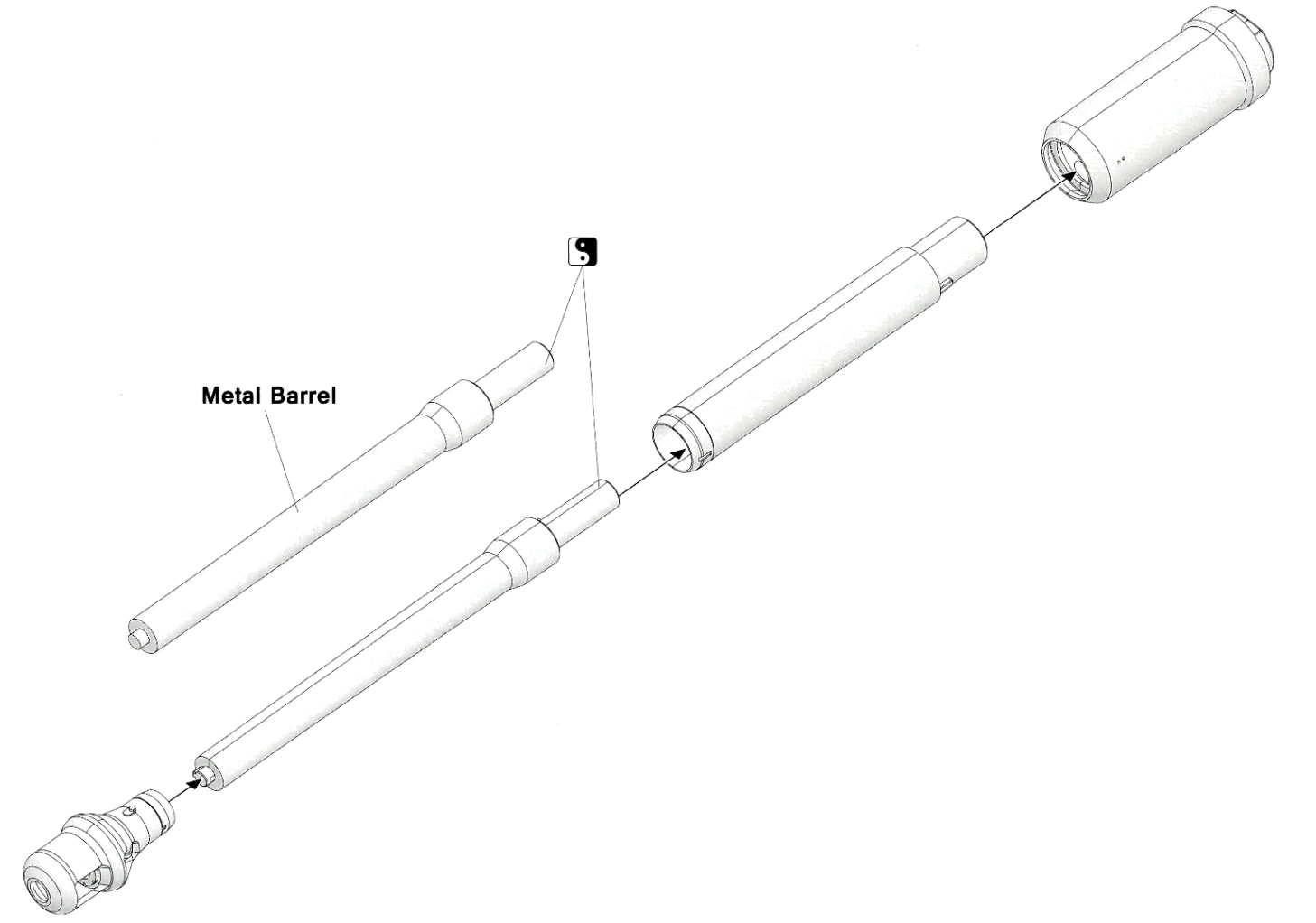
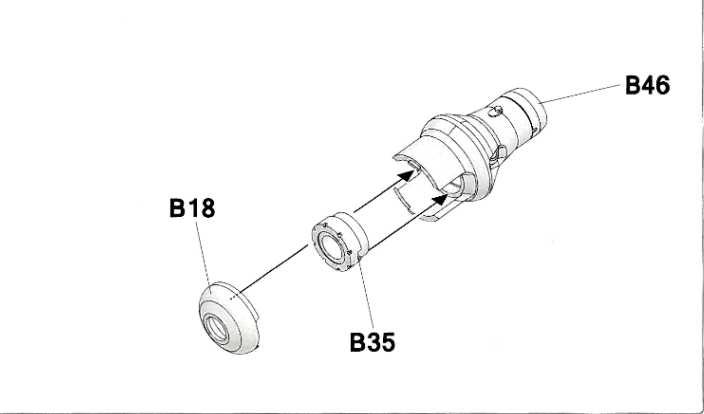
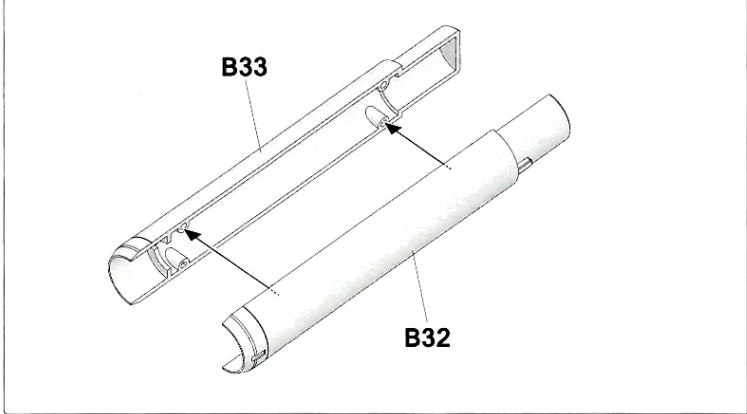
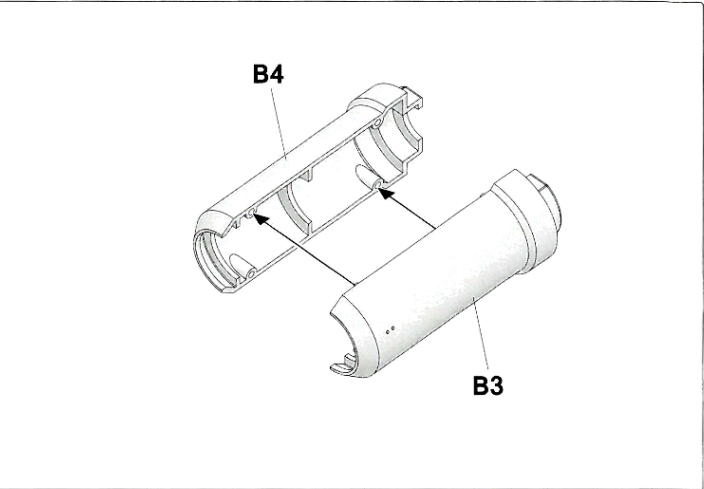
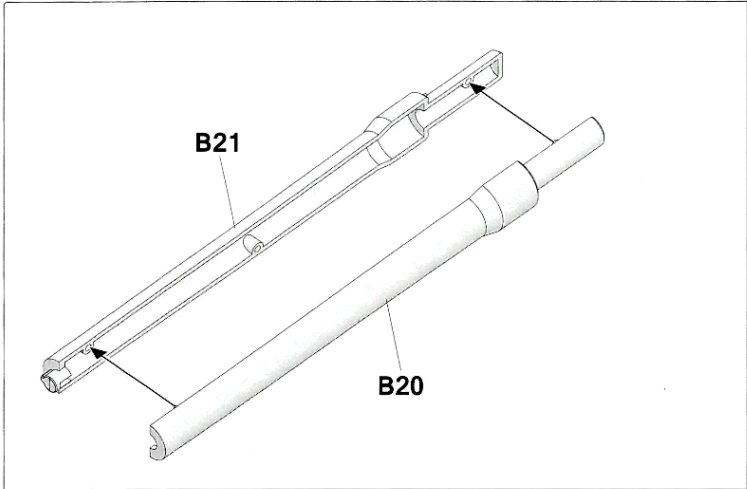
**STEP 21**



**STEP 22**

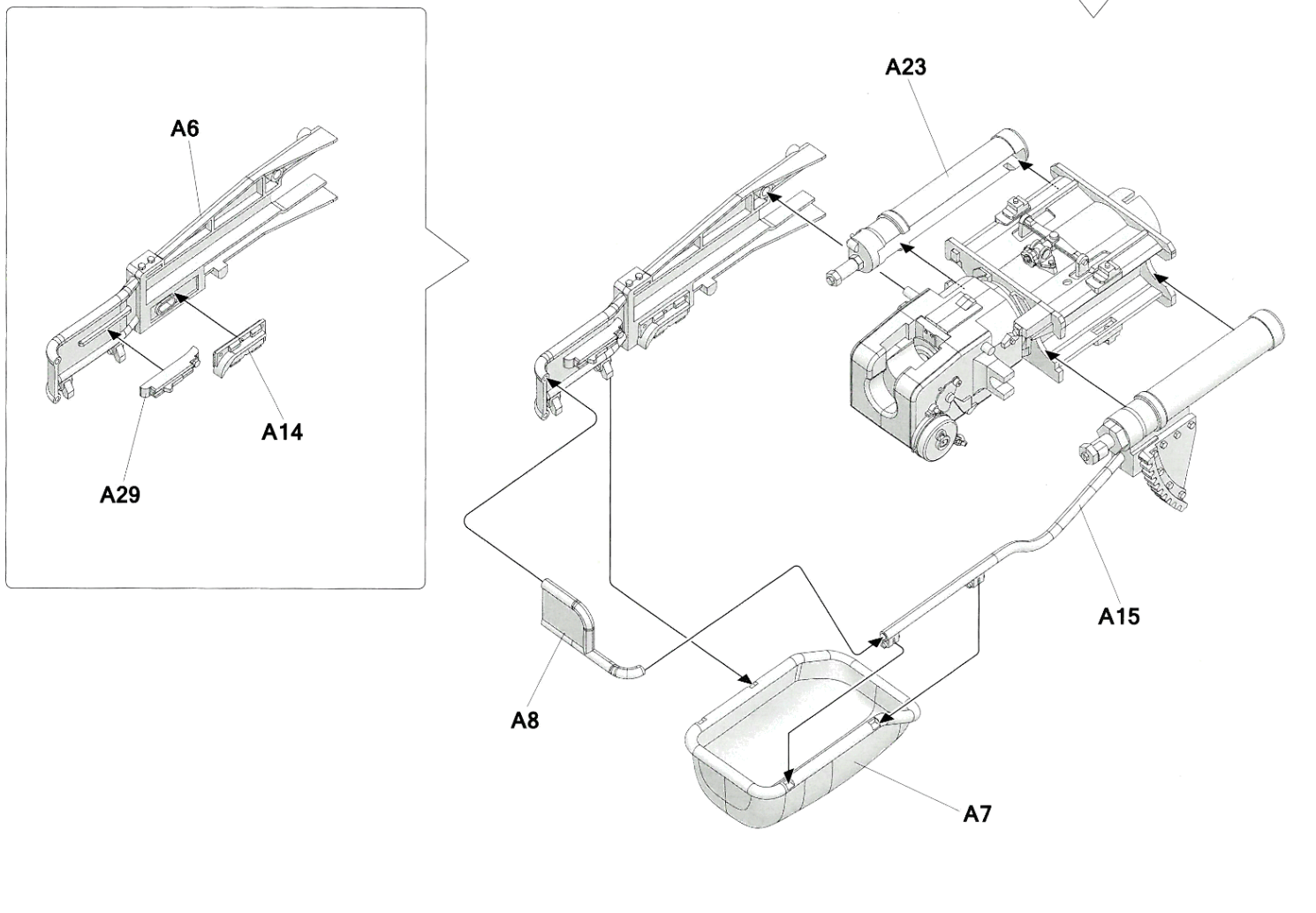
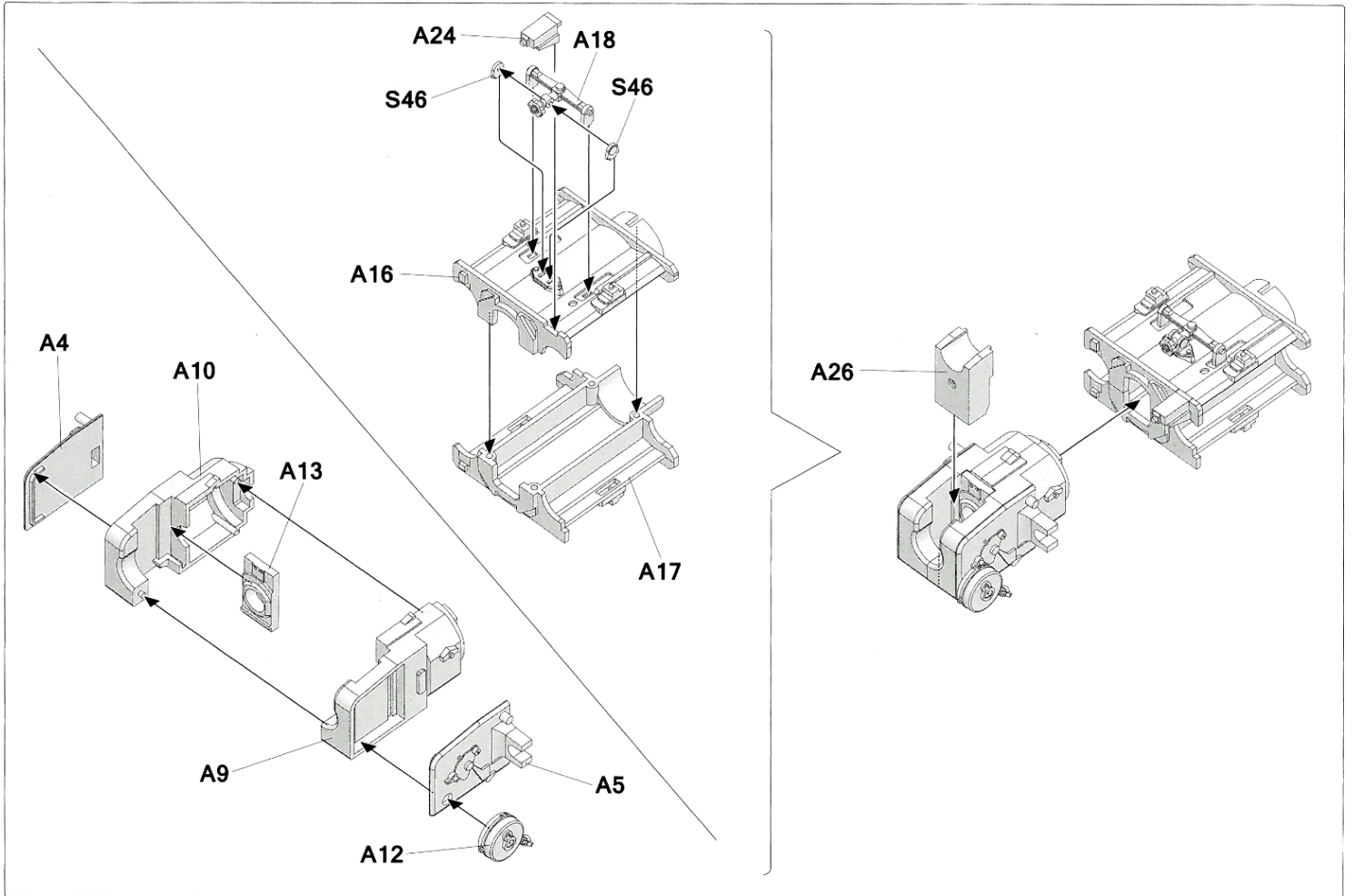


**STEP 23**

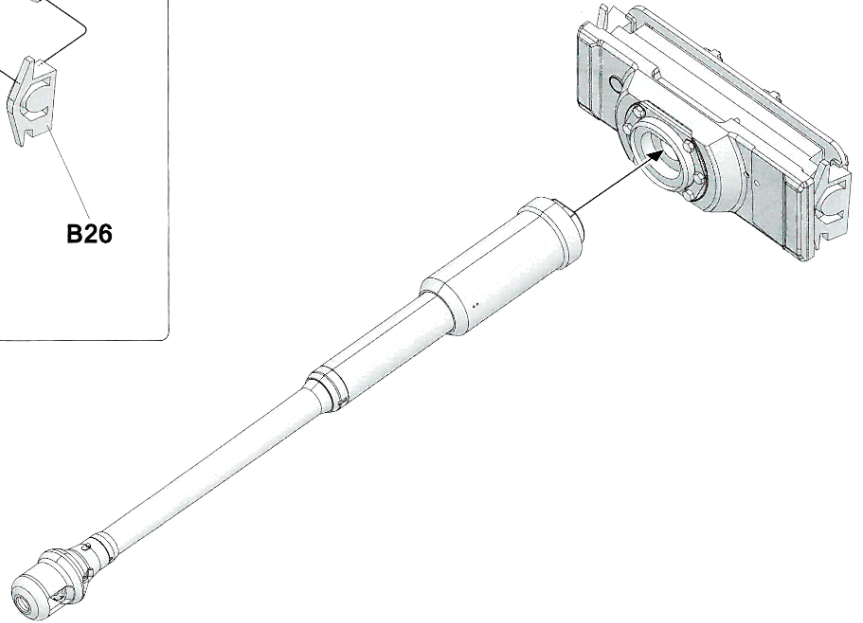
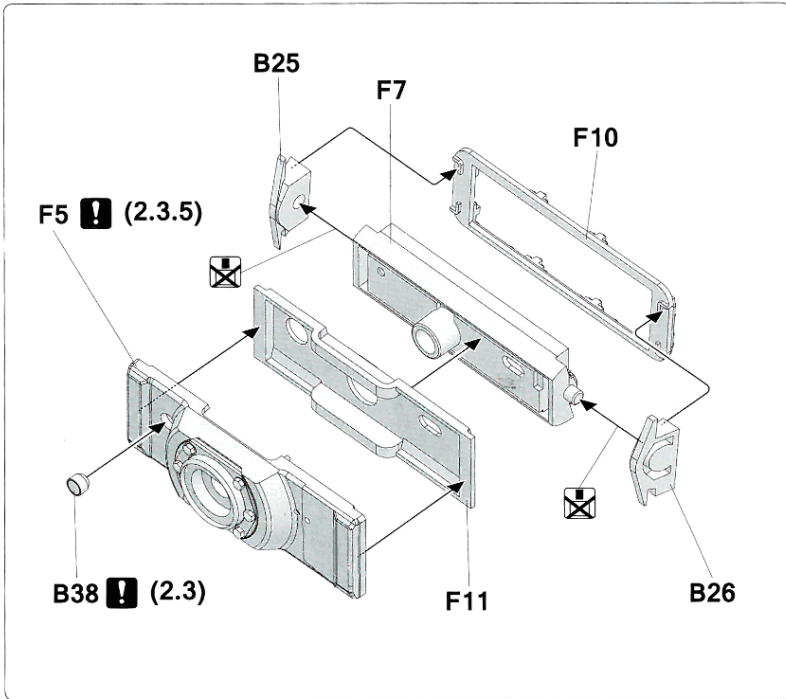




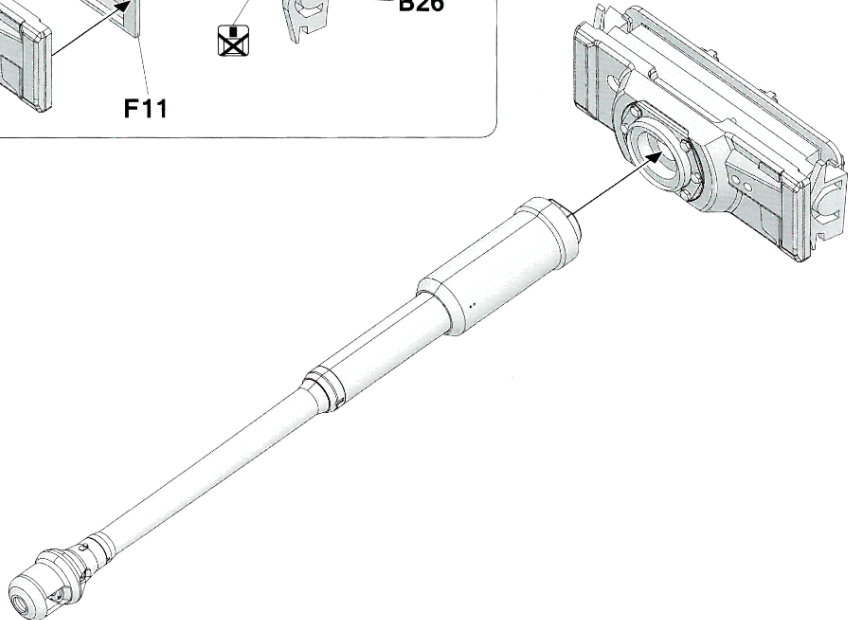
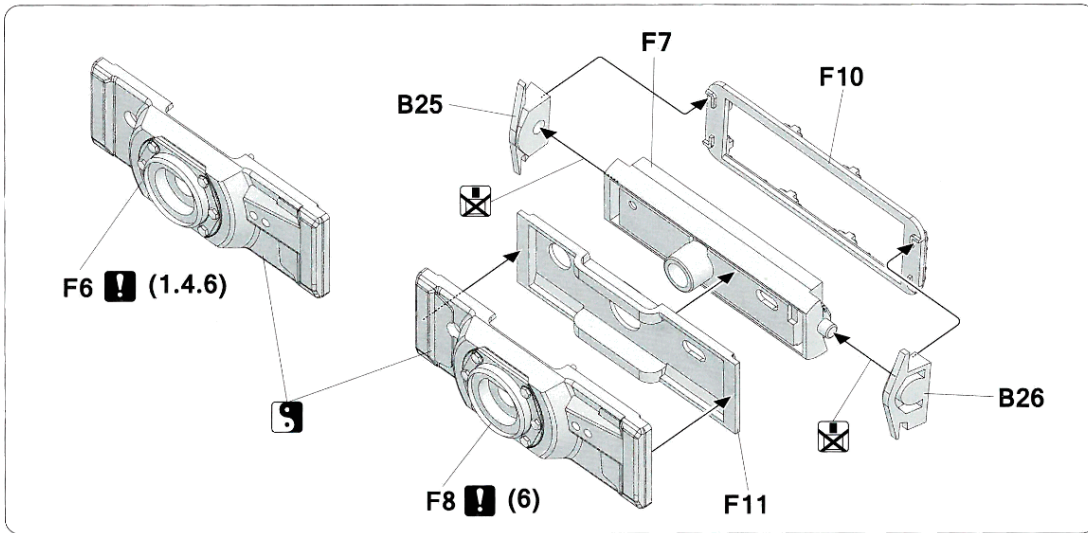
**STEP 24**



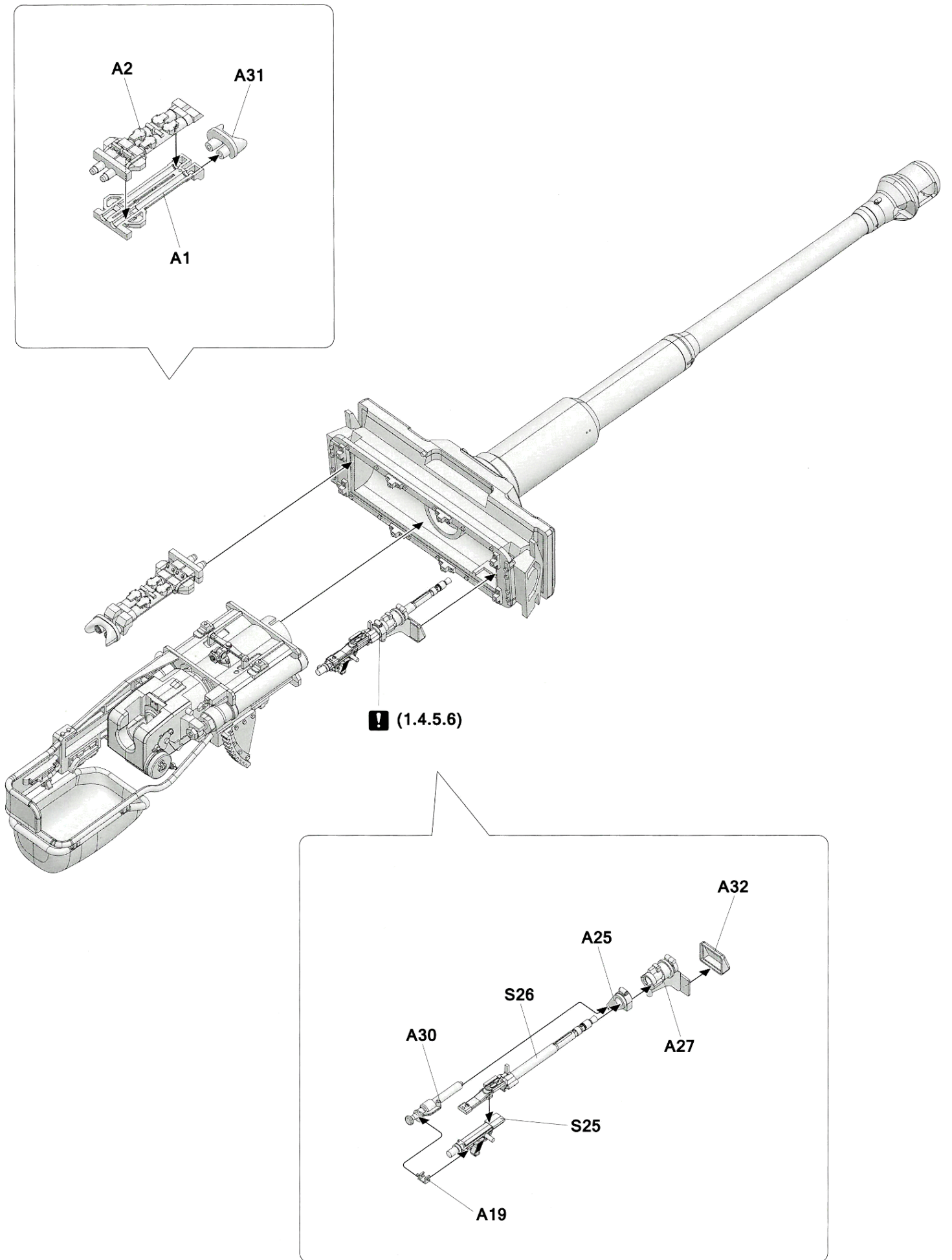
**STEP 25**



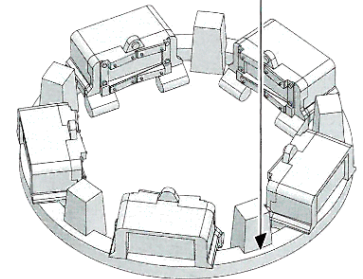
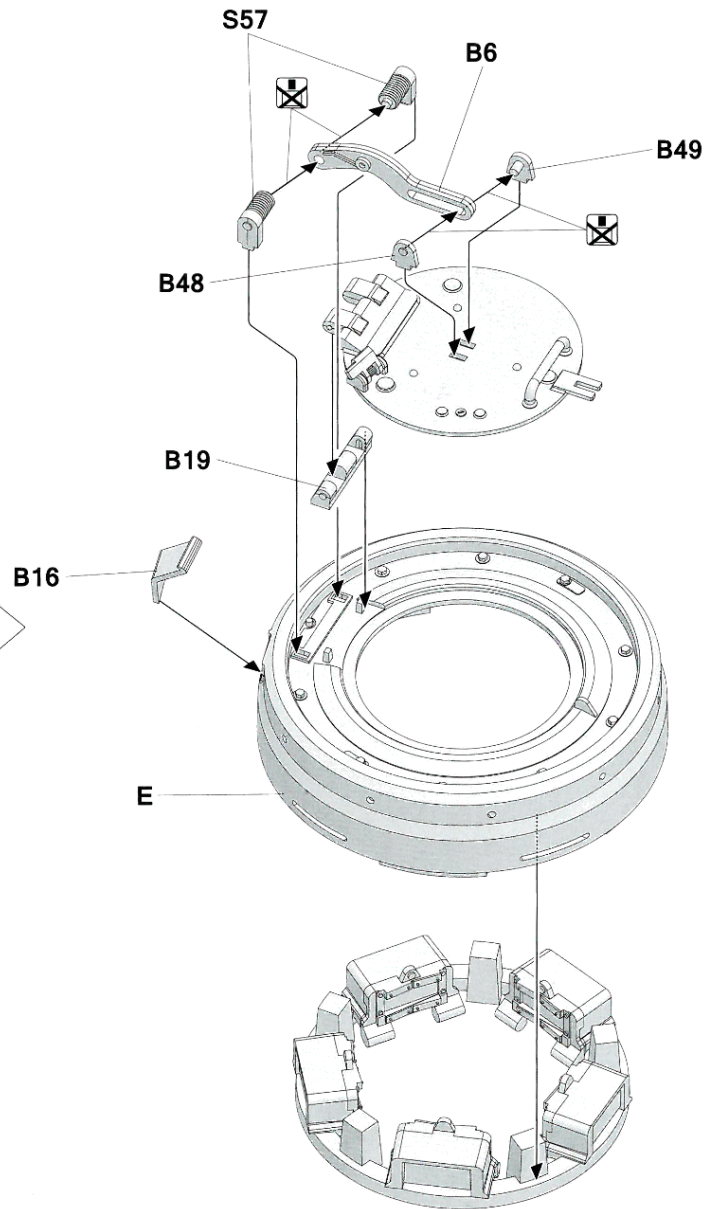
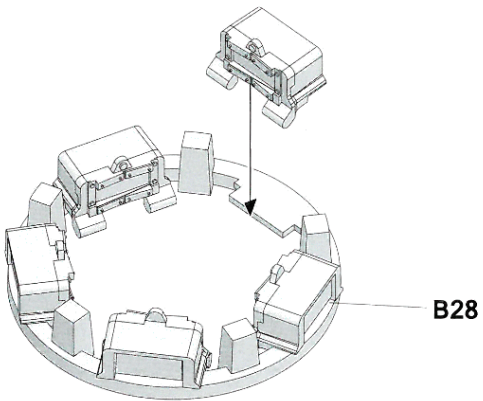
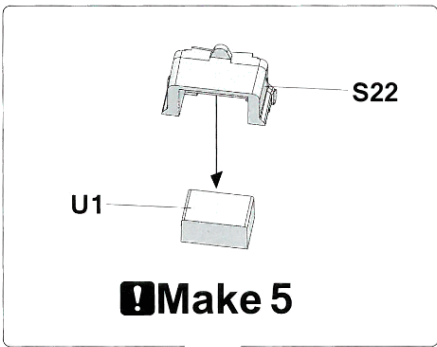
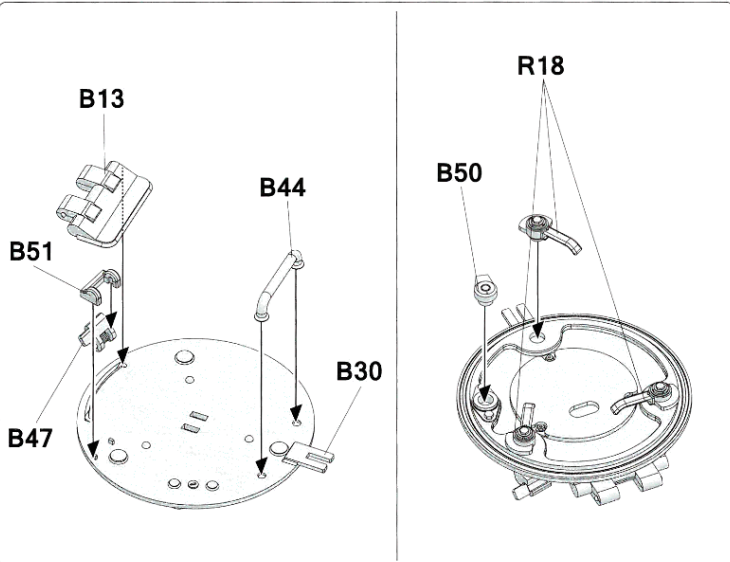
**S**



**STEP 26**

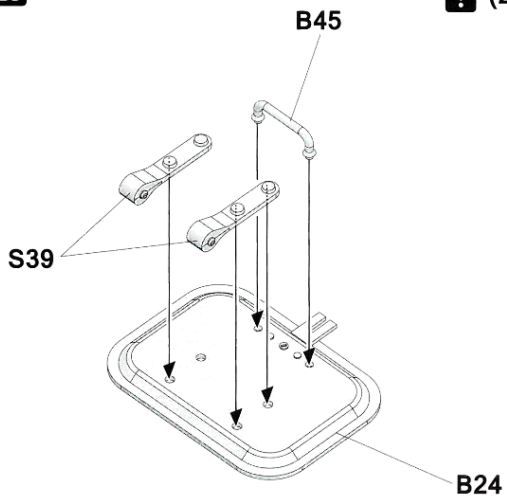


**STEP 27**

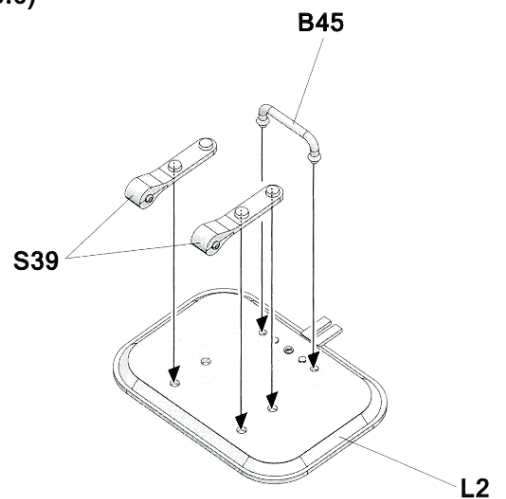


**STEP 28**

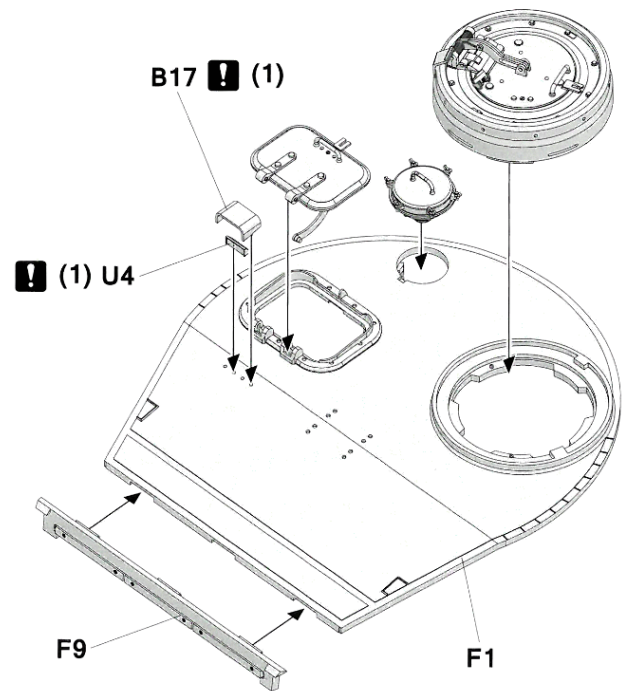
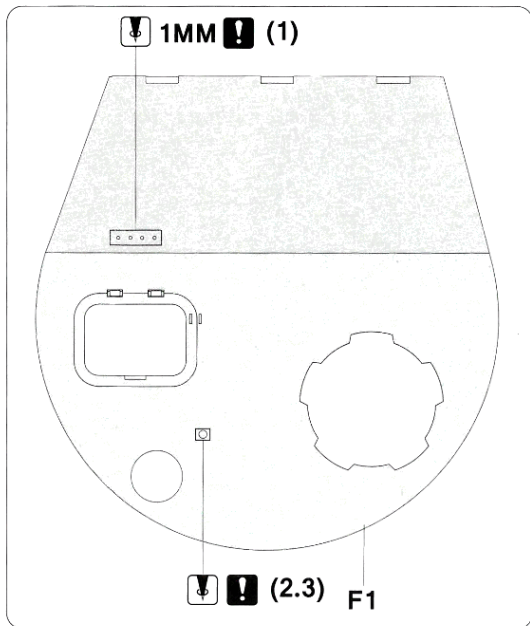
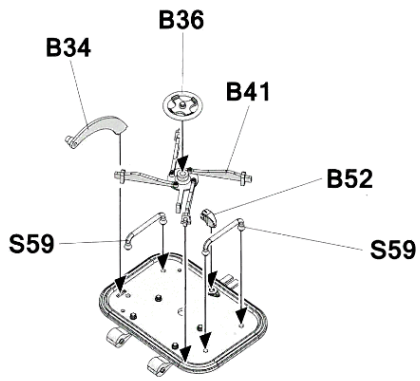
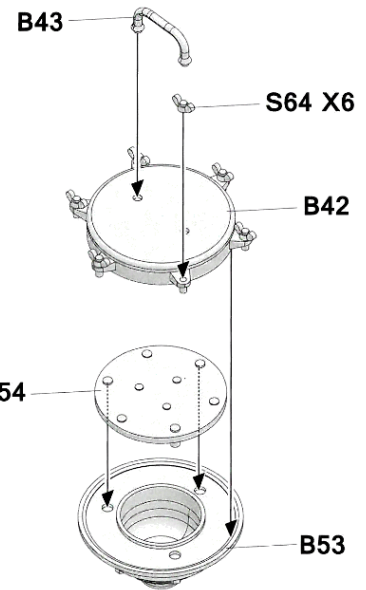
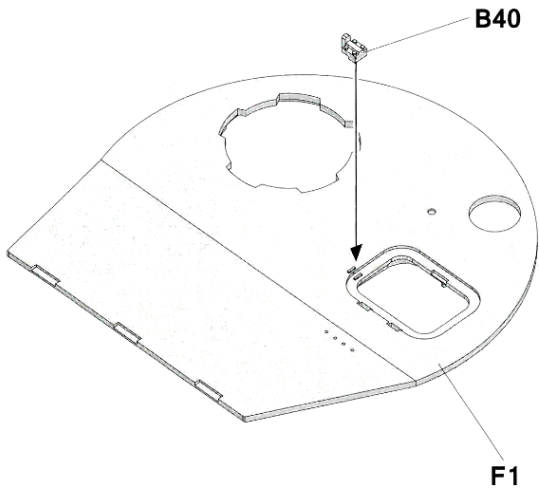
**!** (2.3)



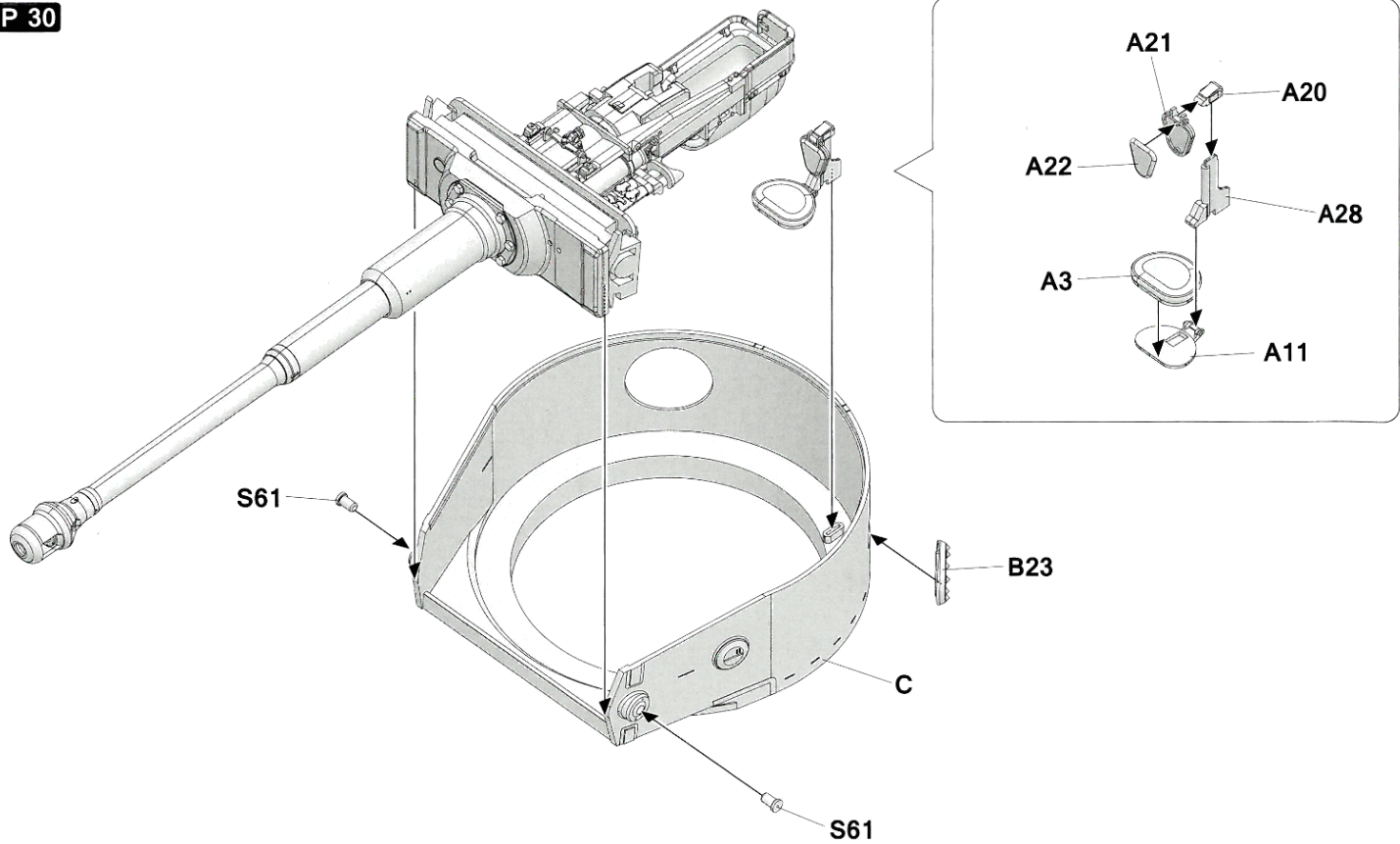
**!** (1.4.5.6)



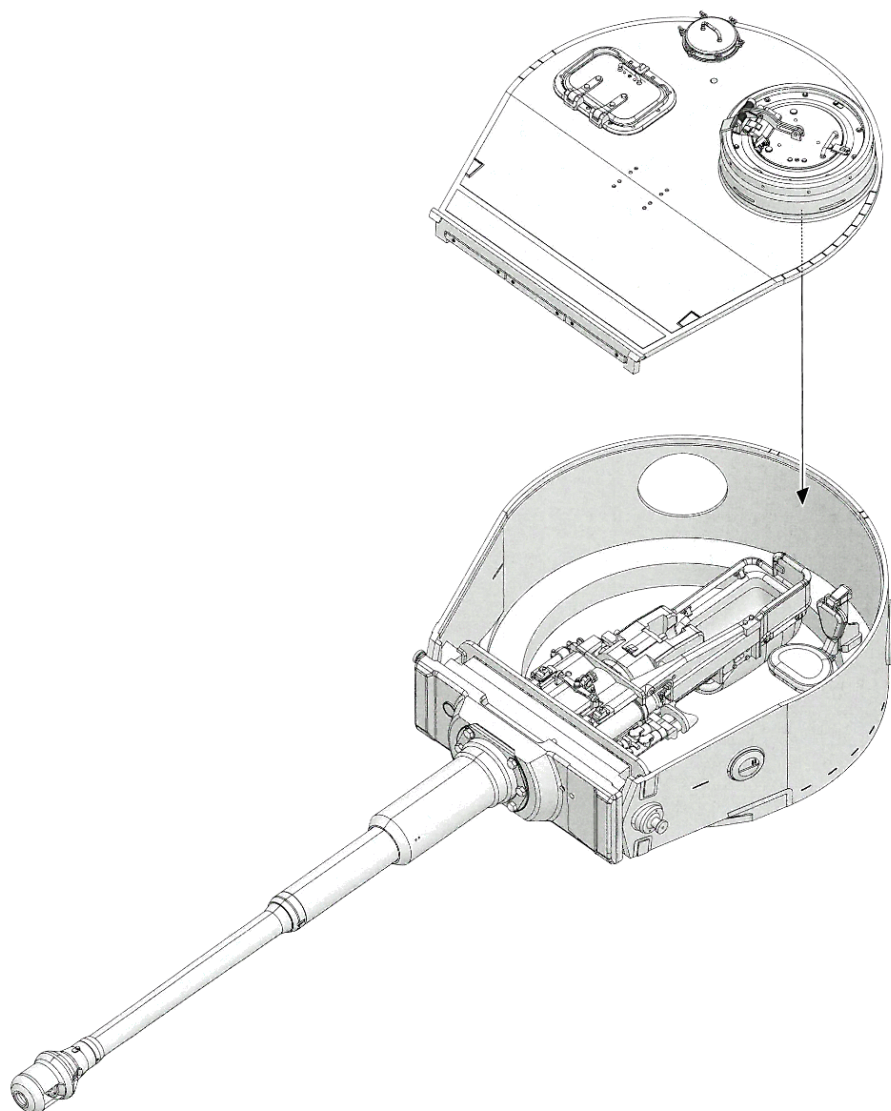
**STEP 29**



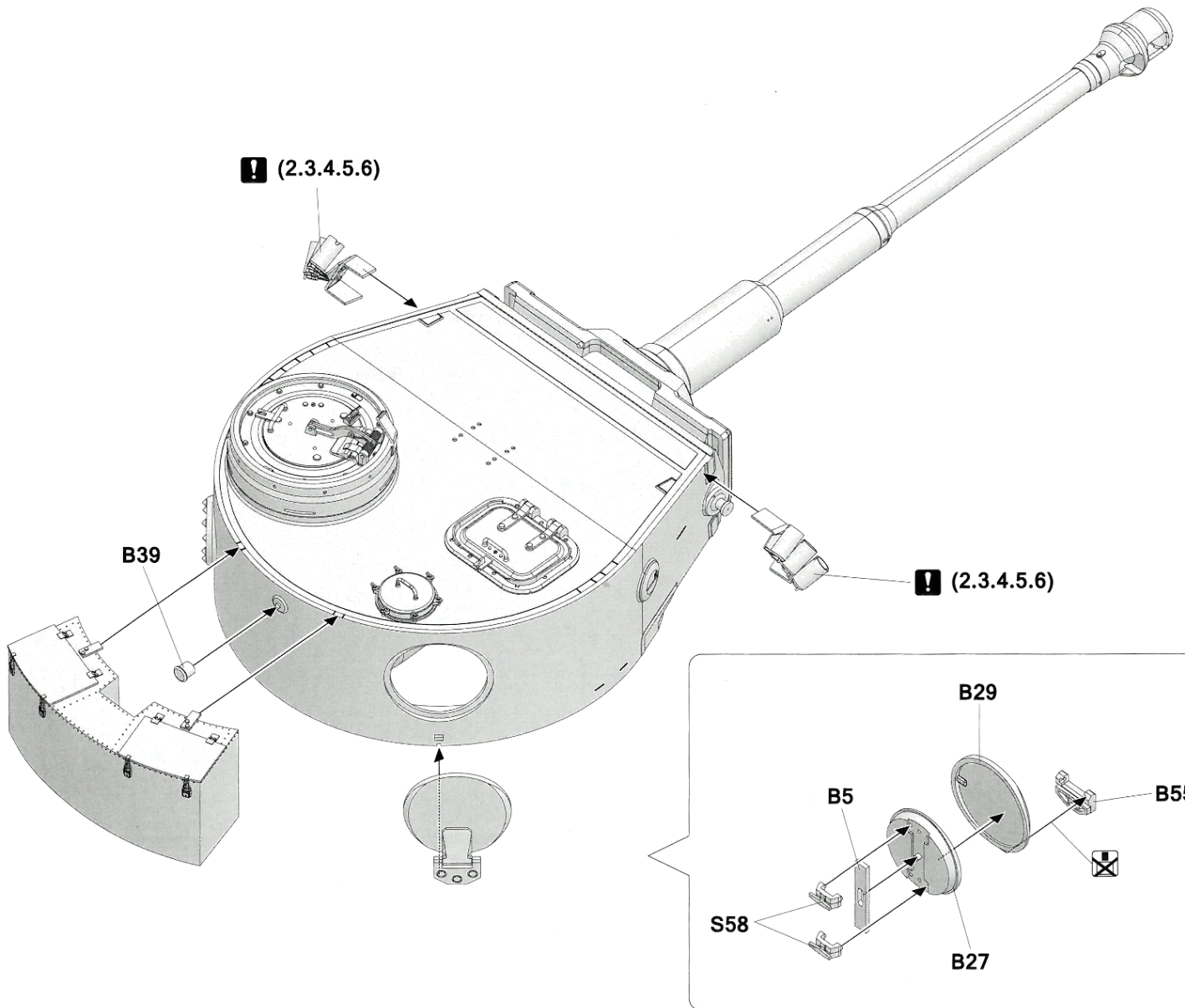
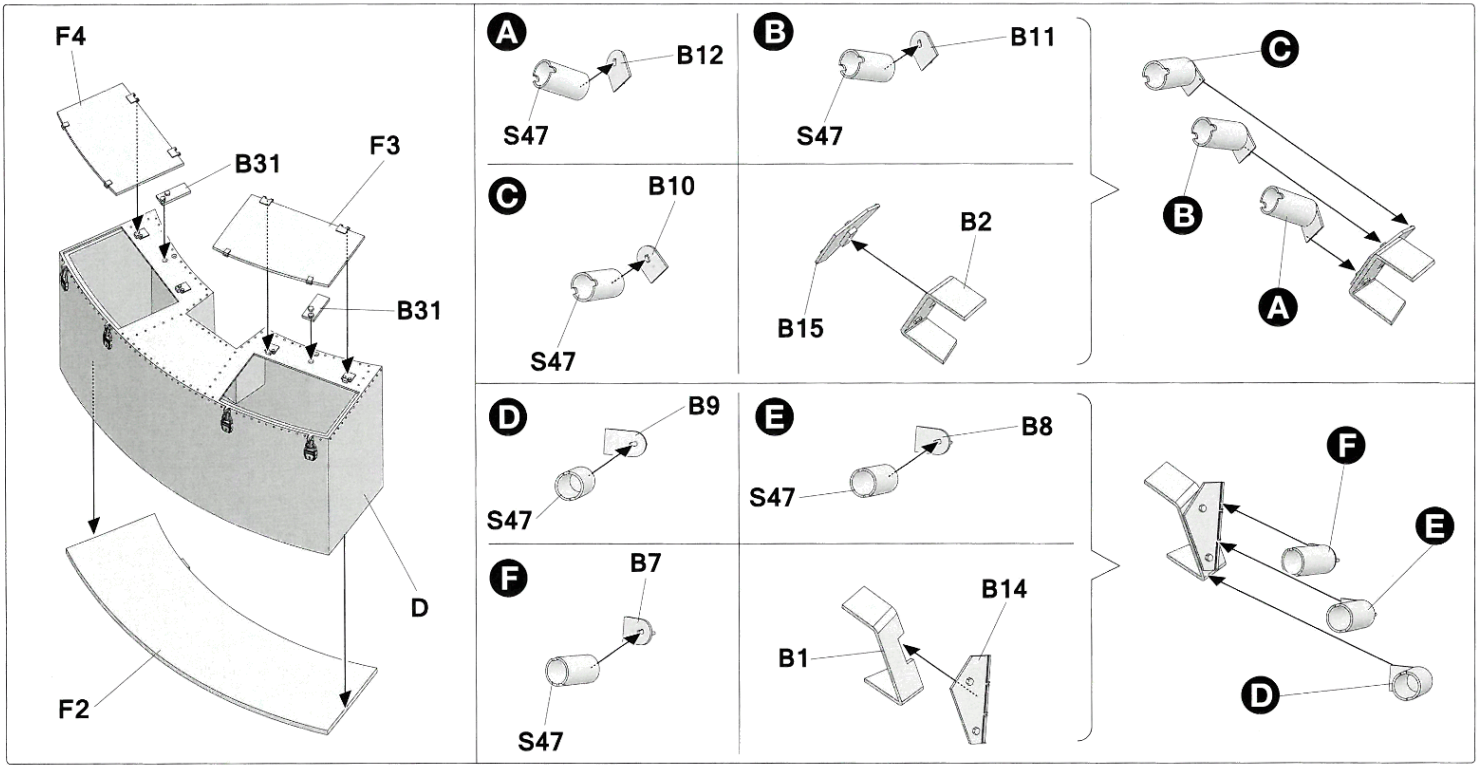
**STEP 30**



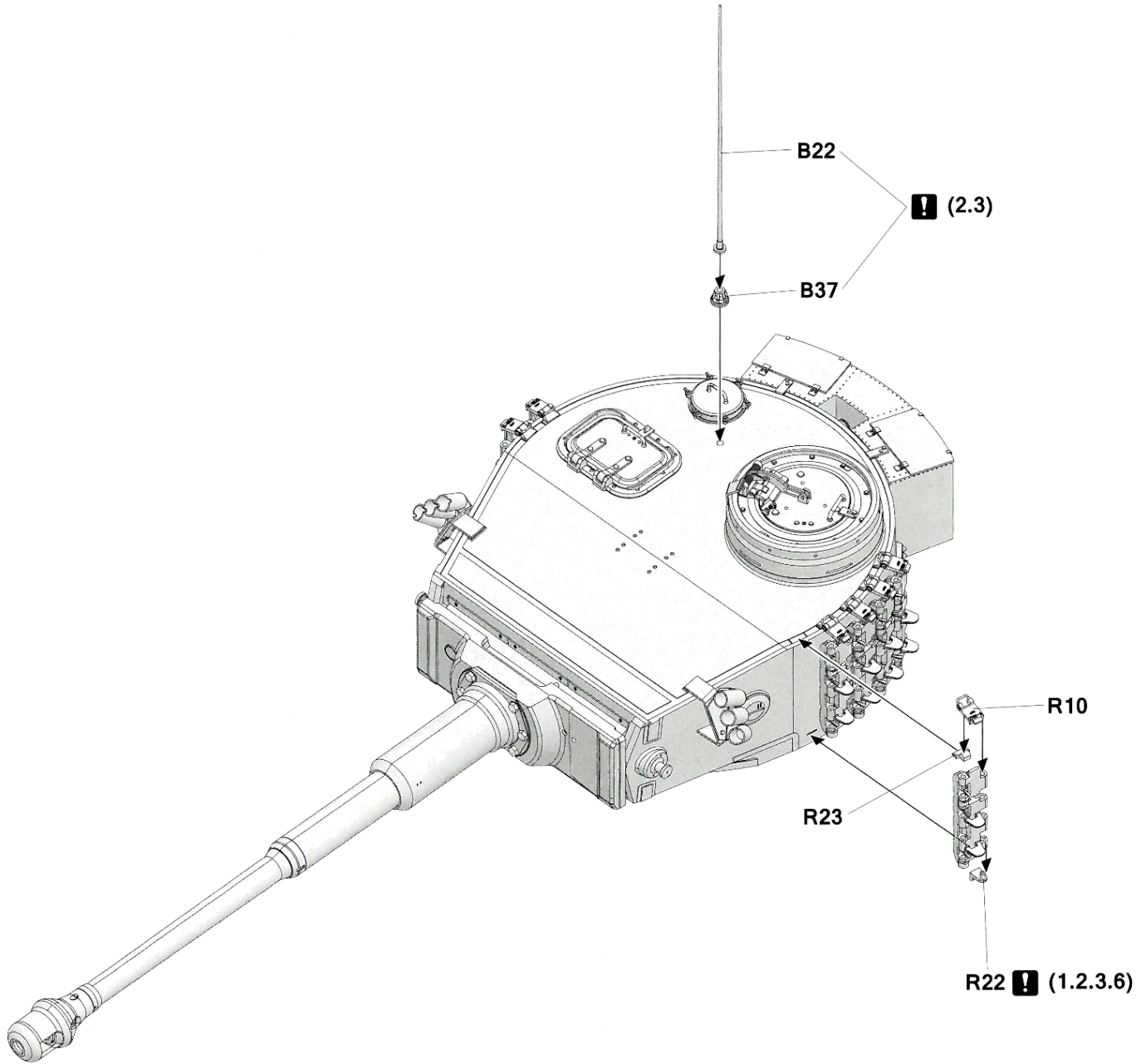
**STEP 31**



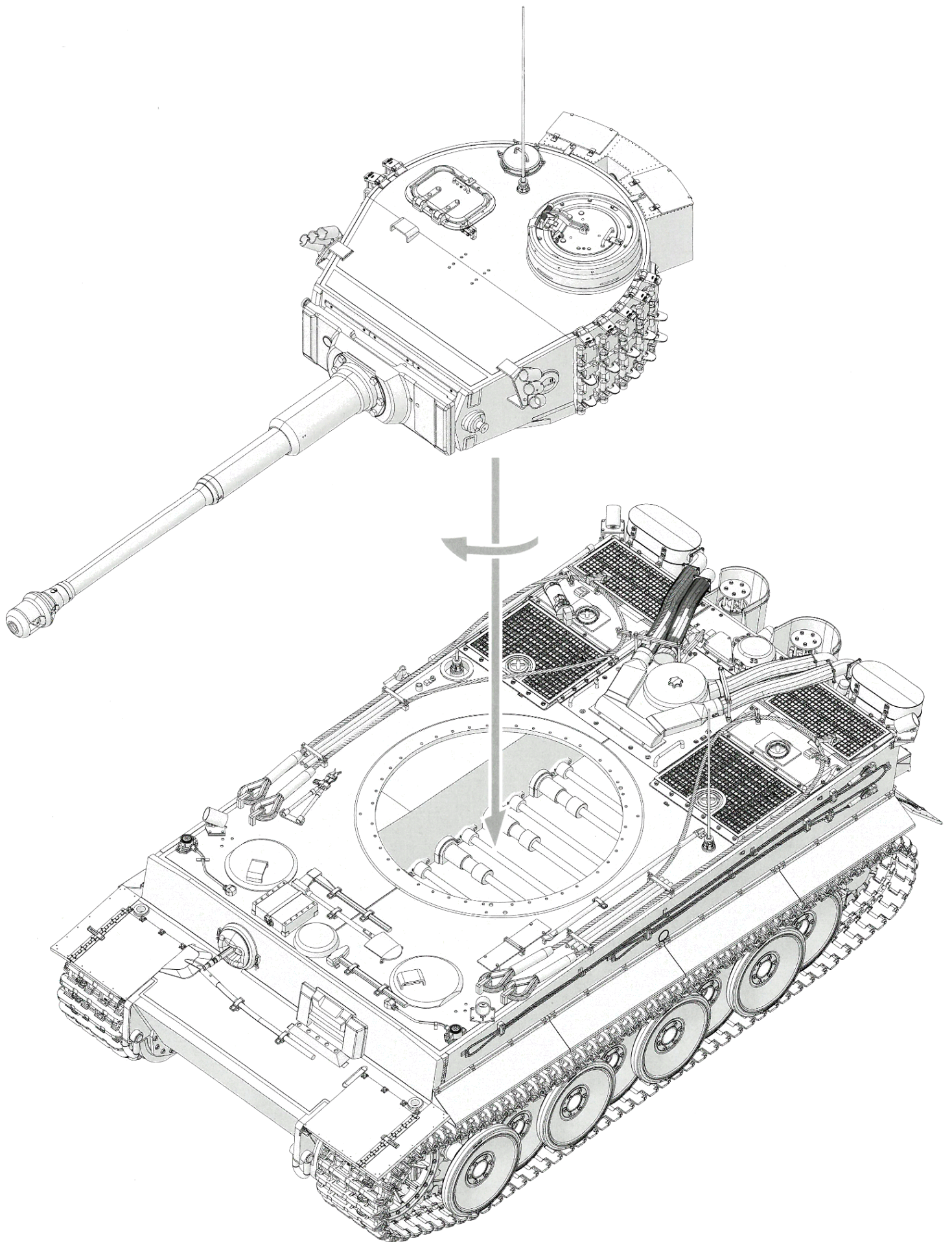
**STEP 32**



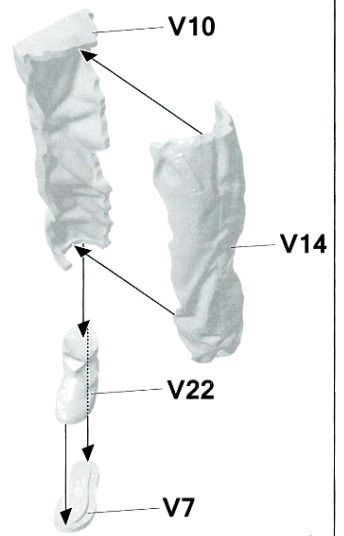
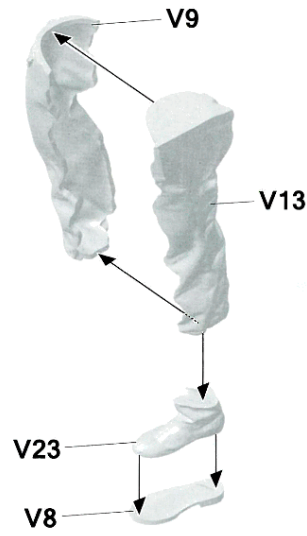
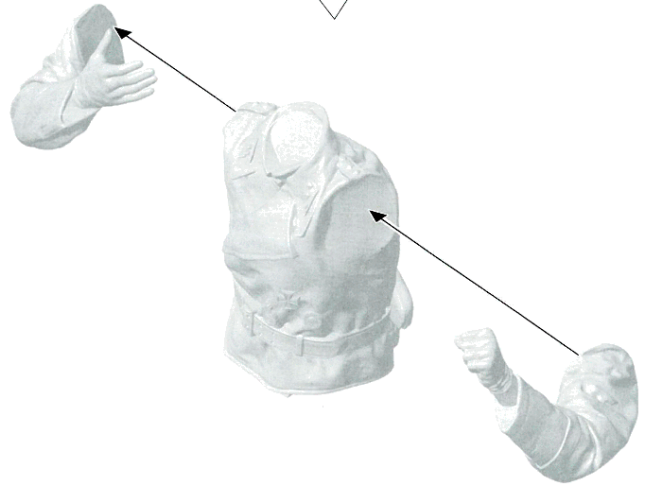
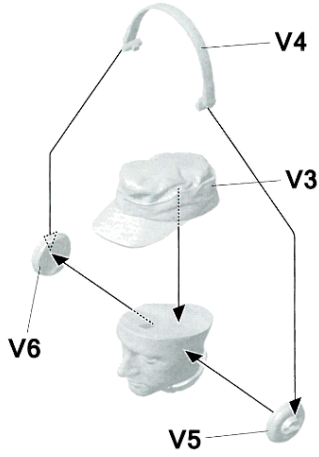
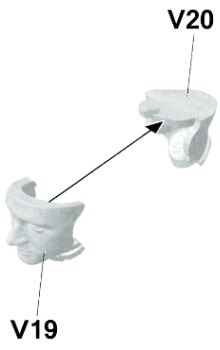
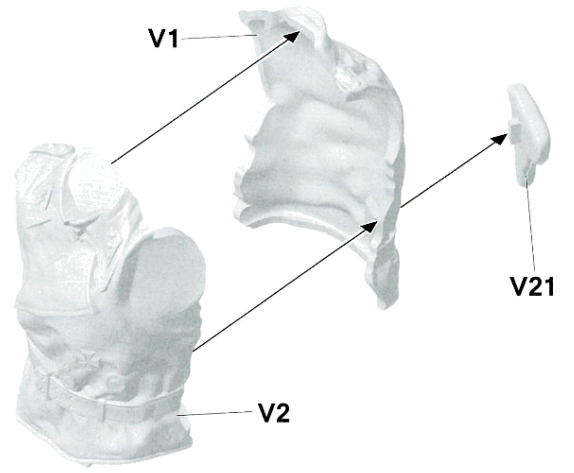
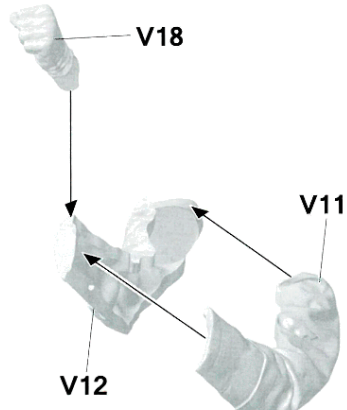
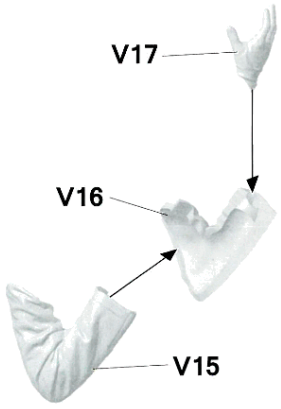
**STEP 33**







**STEP 35**



**ALSO AVAILABLE FROM ANDY'S HOBBY HEADQUARTERS!**



**M4A3E8 SHERMAN**  
*"Easy Eight"*

1/16  
AHHQ - 001

FULL FIGURE INCLUDED

HIGHLY DETAILED PLASTIC MODEL  
INCLUDES METAL BARREL  
INDIVIDUAL TRACK LINKS  
WORKING SUSPENSION  
NOT A TOY - INTENDED FOR AGES 14+

ANDY'S HOBBY HEADQUARTERS

IN COOPERATION WITH TAKOMI



**U.S. WWII TANK COMMANDER**

1/16  
AHHQ - 002

FULL FIGURE INCLUDED

HIGHLY DETAILED FIGURE  
NOT A TOY - AGES 14+

ANDY'S HOBBY HEADQUARTERS

IN COOPERATION WITH TAKOMI

**ALLIED FORCES COMING SOON!**



**TOP SECRET**

AHHQ - 004  
1/16

**SPRING 2023  
U.S. AFV**

ANDY'S HOBBY HEADQUARTERS



**TOP SECRET**

AHHQ - 005  
1/16

**SPRING 2023  
U.S. FIGURE**

ANDY'S HOBBY HEADQUARTERS



**TOP SECRET**

AHHQ - 005  
1/16

**SUMMER 2023  
U.S. AFV**

ANDY'S HOBBY HEADQUARTERS



**TOP SECRET**

AHHQ - 006  
1/16

**SUMMER 2023  
BRITISH AFV**

ANDY'S HOBBY HEADQUARTERS

**ANDY'S**  
**HOBBY**  
HEADQUARTERS