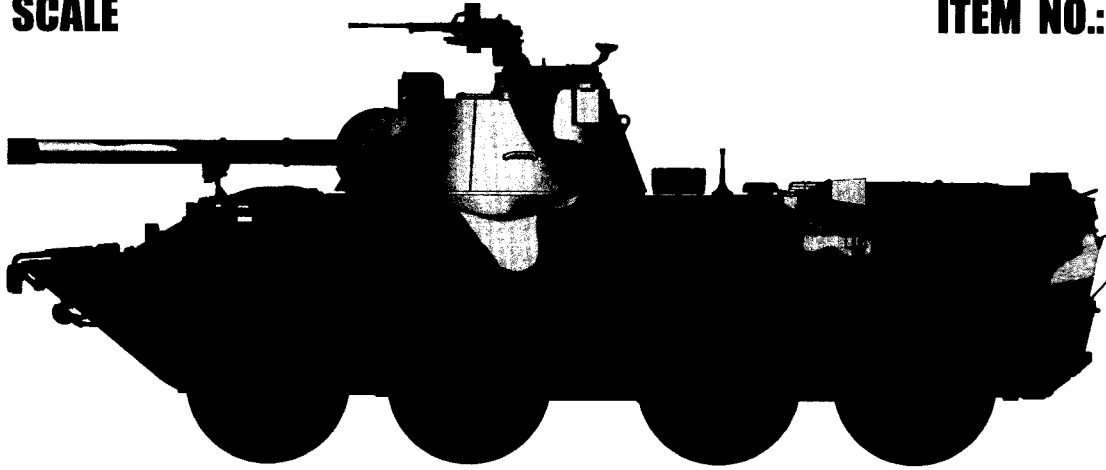


1/35 SCALE

ITEM NO.:09559



2S23 Nona-SVK 120mm Self-propelled Mortar System

2S23“诺娜”-SVK 120mm自行迫榴炮

READ BEFORE ASSEMBLY:

- Study and understand these instructions thoroughly before beginning assembly
- When needed, remove photo-etch parts carefully using a modeling knife or photo etch sprue cutter, being careful not to damage or lose small parts.
- Take extra care in handling photo etch parts in order to avoid injury
- Apply instant cement sparingly to photo etch parts where instructed
- Tools recommended(not included in kit):Plastic and instant cements, sprue cutters,long nose pliers,modeling knife, small files, tweezers, pin vise & scissors. Soft cloth and sandpaper will also assist in construction
- Glue and paint are not included in the kit. Use plastic cement and hobby paints only. Color guide for purchasing paint is included in the kit.

装配之前仔细阅读

- 小心用模型锉刀锉平所有零件表面的注射浇口。
- 小心用刀片切下蚀刻片零件，不要遗失小零件。
- 用强力快干胶水粘合蚀刻片零件和金属轴。过量快干胶水使用可能导致可动零件会粘住，小心涂胶。
- 取蚀刻片时应特别注意安全，防止利边划伤手指。
- 某些零件表面需贴水上贴纸，请选择在装配的同时进行。
- 推荐模型工具(自备)：胶水，水口剪刀，长咀钳，刀片，锉刀，镊子，钳，钻，剪刀，瞬间快干胶。
- 软布同砂纸同时也应该是必备工具。
- 请使用塑料胶水和油漆，模型内不含。



配重
Weight



使用强力胶
Cyanoacrylate glue



钻孔
Make hole



切除
Cut / Remove



贴纸
Decal



锉平
File / Sand



选择
Option



不涂胶水
No cement



弯曲
Bend



先装
Install it first

水贴纸的使用:

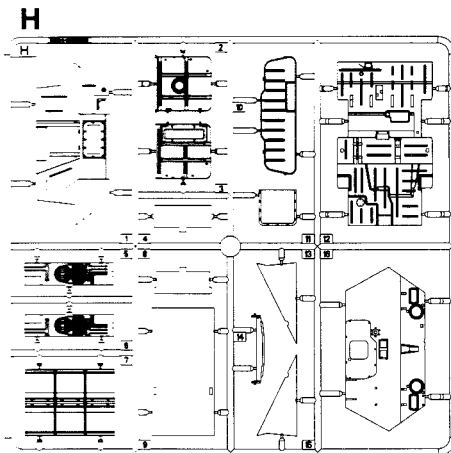
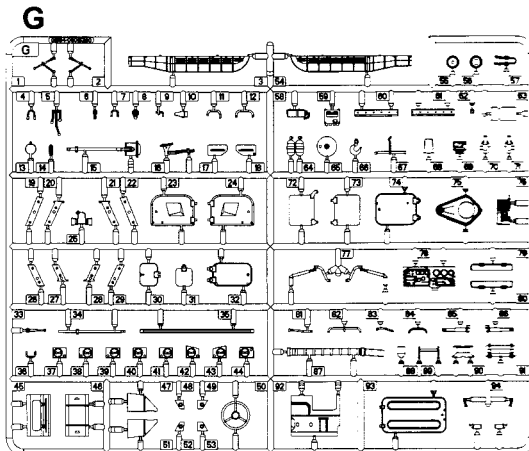
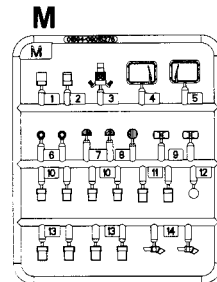
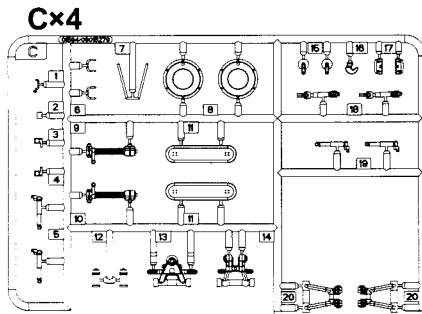
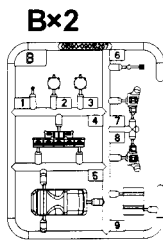
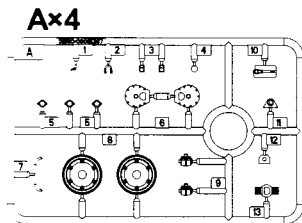
- 1.从水贴纸上剪下印花;
- 2.将印花放入温水中浸10秒,然后放在干净布上。
- 3.拿着印花纸板将印花移到模型上;
- 4.手指蘸水将印花移到适当的位置;
- 5.用软布轻压印花直至水干, 气泡消失

DECAL APPLICATION

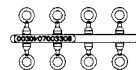
- 1.Cut decals from sheet as needed
- 2.Dip the decal in warm water for about 10 seconds and then place on soft clean cloth.
- 3.Hold the decal backing sheet edge and gently slide the decal onto the model in its proper position.

- 4.While still wet,decal can be adjusted for better fit on model by dampening it gently with your finger.
- 5.When placed in the proper position,gently press decal down with a soft cloth until excess water and air bubbles are gone.
- 6.Allow decal to dry completely before handling model

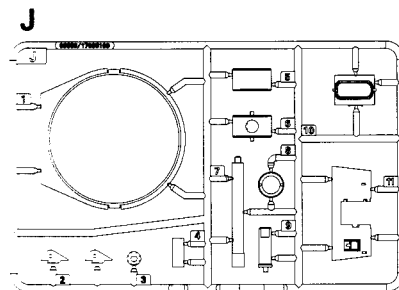
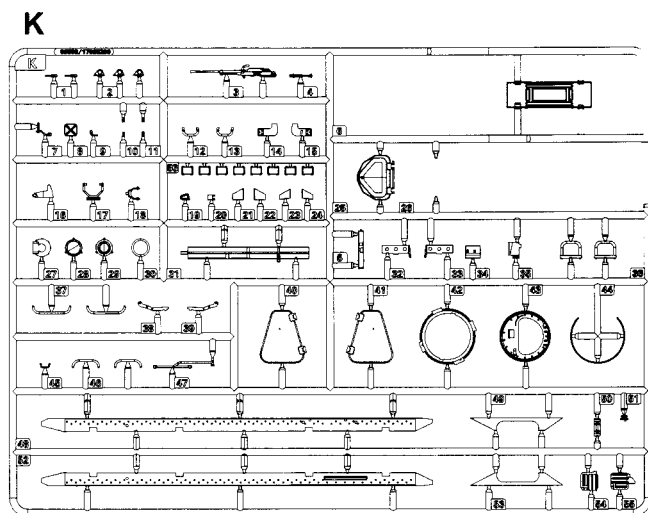
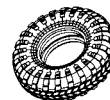
部品图
Parts



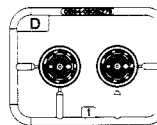
《聚乙烯套》
Poly cap



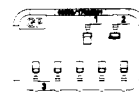
《轮胎》
Tyre x8



D x 4



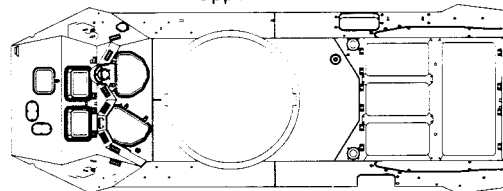
GP



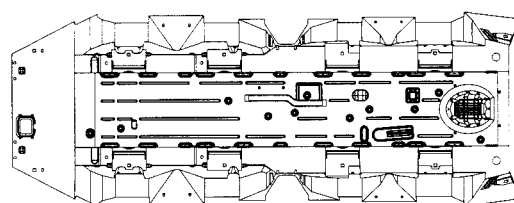
铜缆
Brass wire



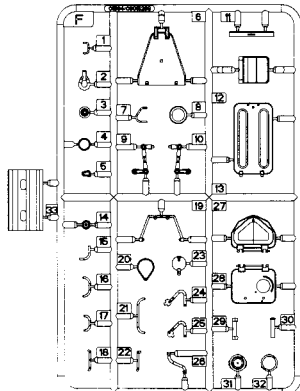
车面
Upper hull



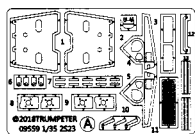
《车底》
Lower hull



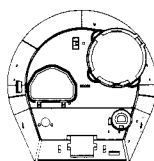
F x 2



PE-A



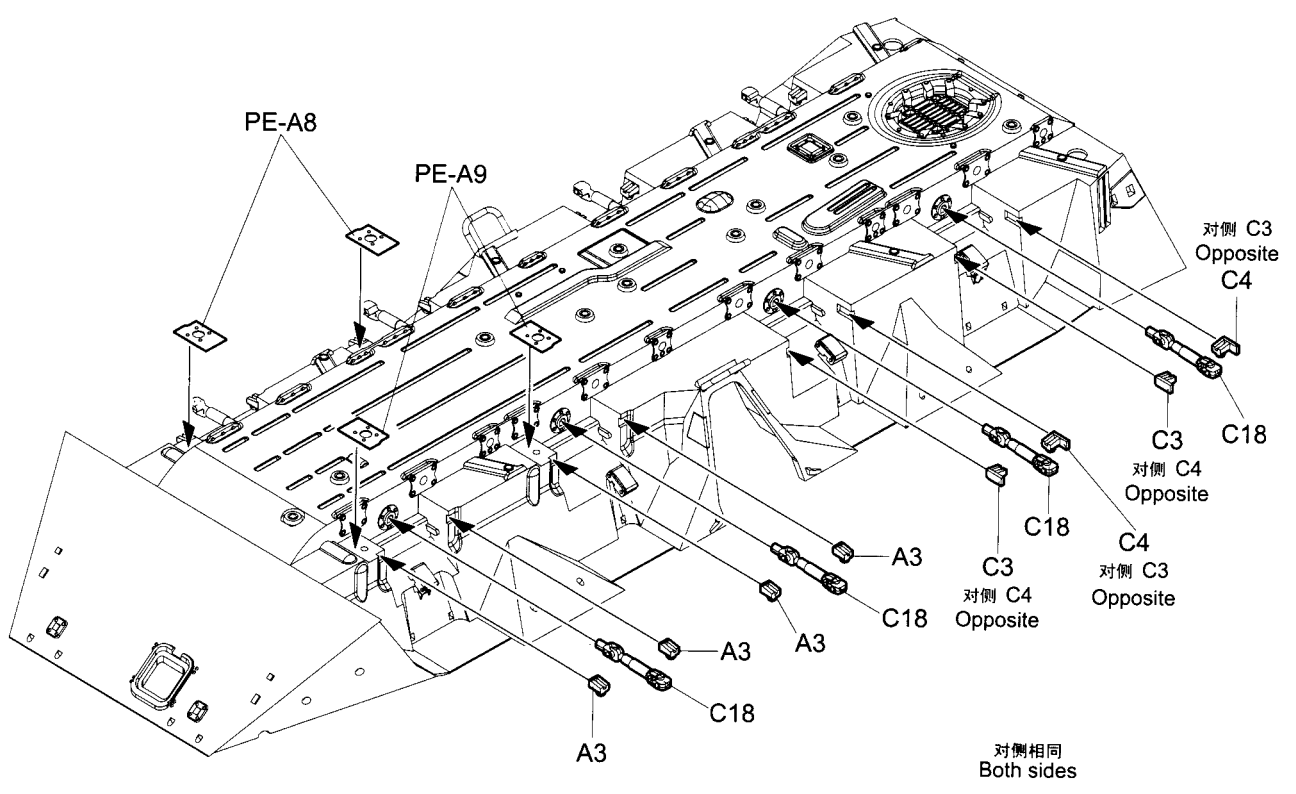
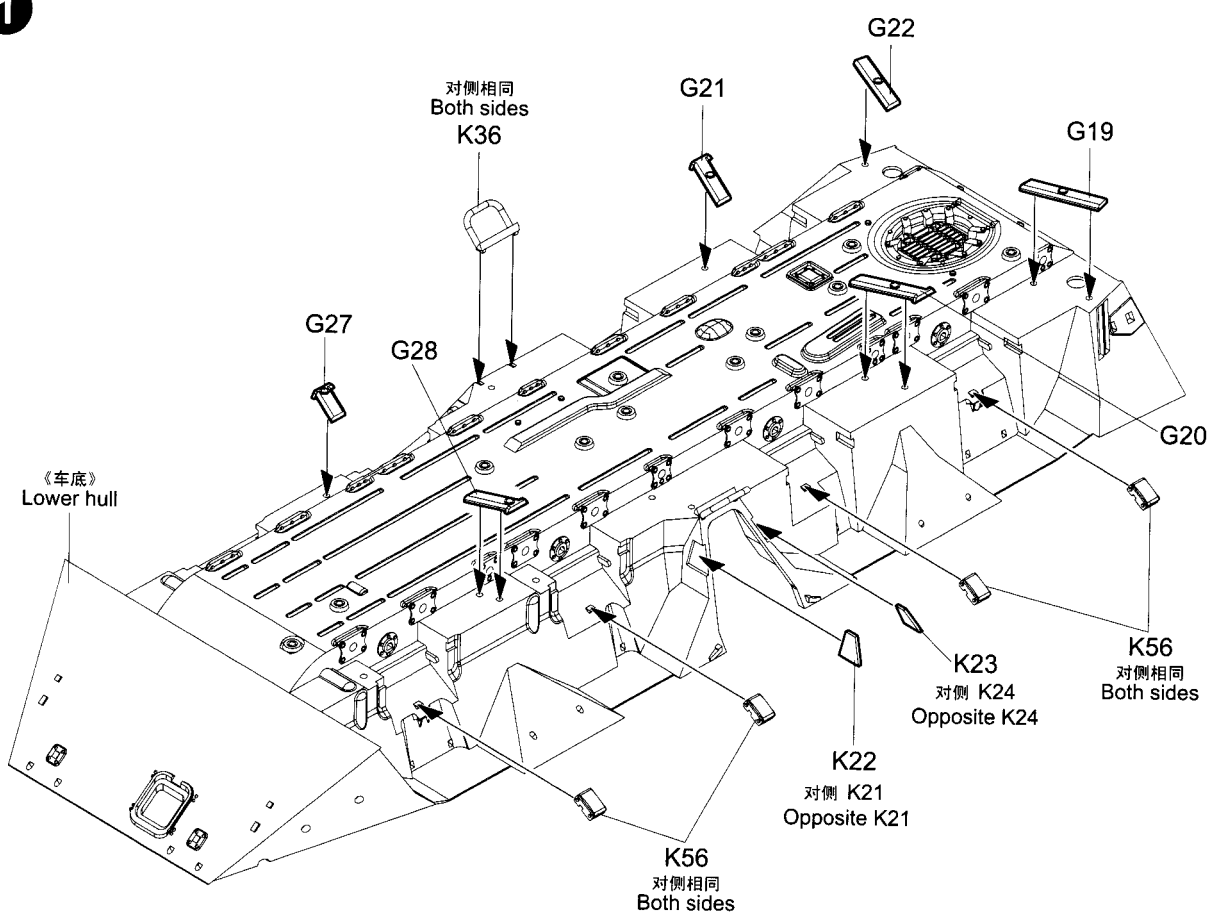
《炮塔》
Turret



《水贴》
Decal

0 0 1 2 3 4 5 6 7 8 9 573, 573
0 0 1 2 3 4 5 6 7 8 9 4
0 0 1 2 3 4 5 6 7 8 9 2 3
09559 1/35 2523 Nona-SVK 120mm Self-propelled Mortar System

1



2

对侧 G29
Opposite G29
G26

对侧相同
Both sides

A4
C14
制作4组
Make four

C13
对侧相同
Both sides

H15
对侧 H13
Opposite H13

制作4组
Make four

C20

C9

A9

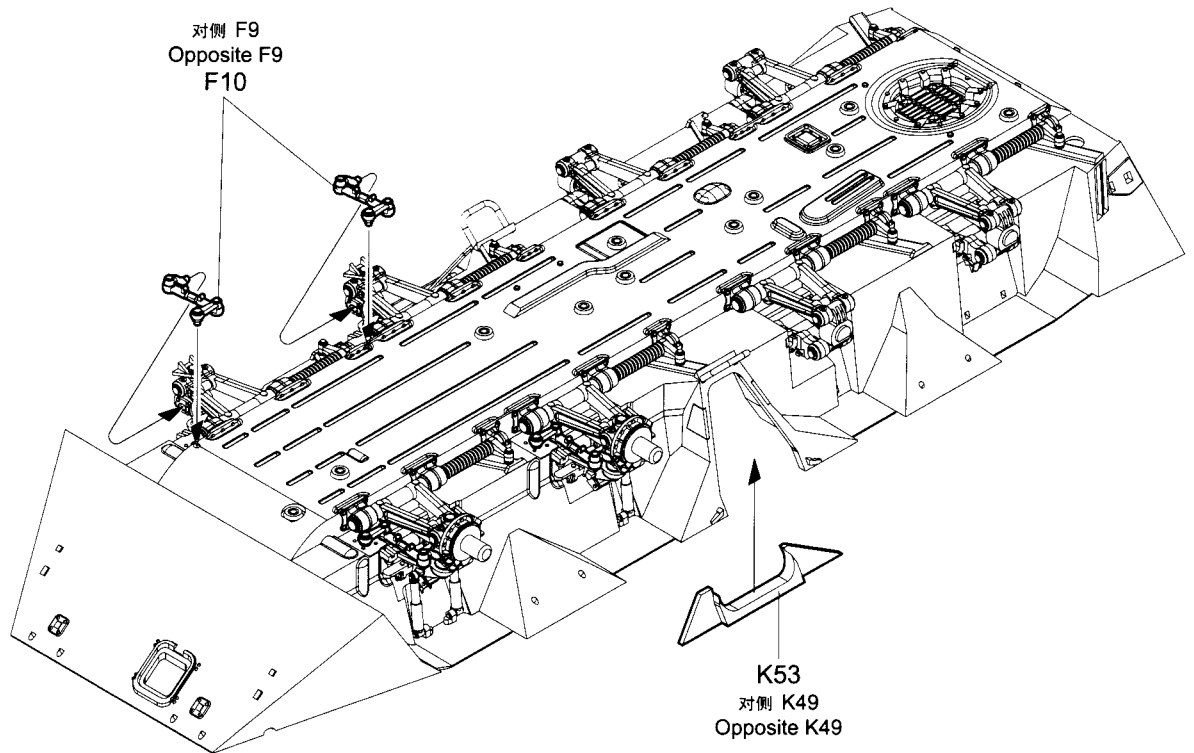
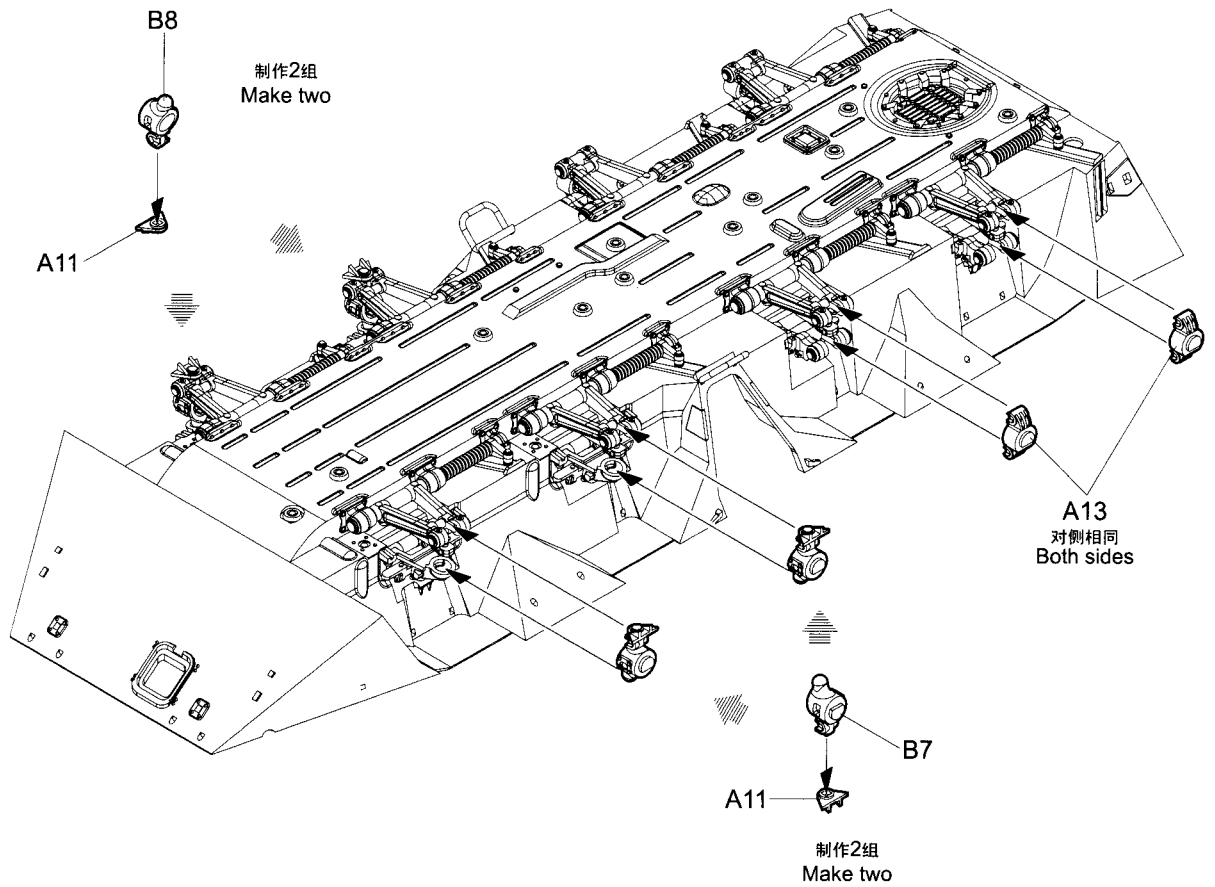
C10

C20

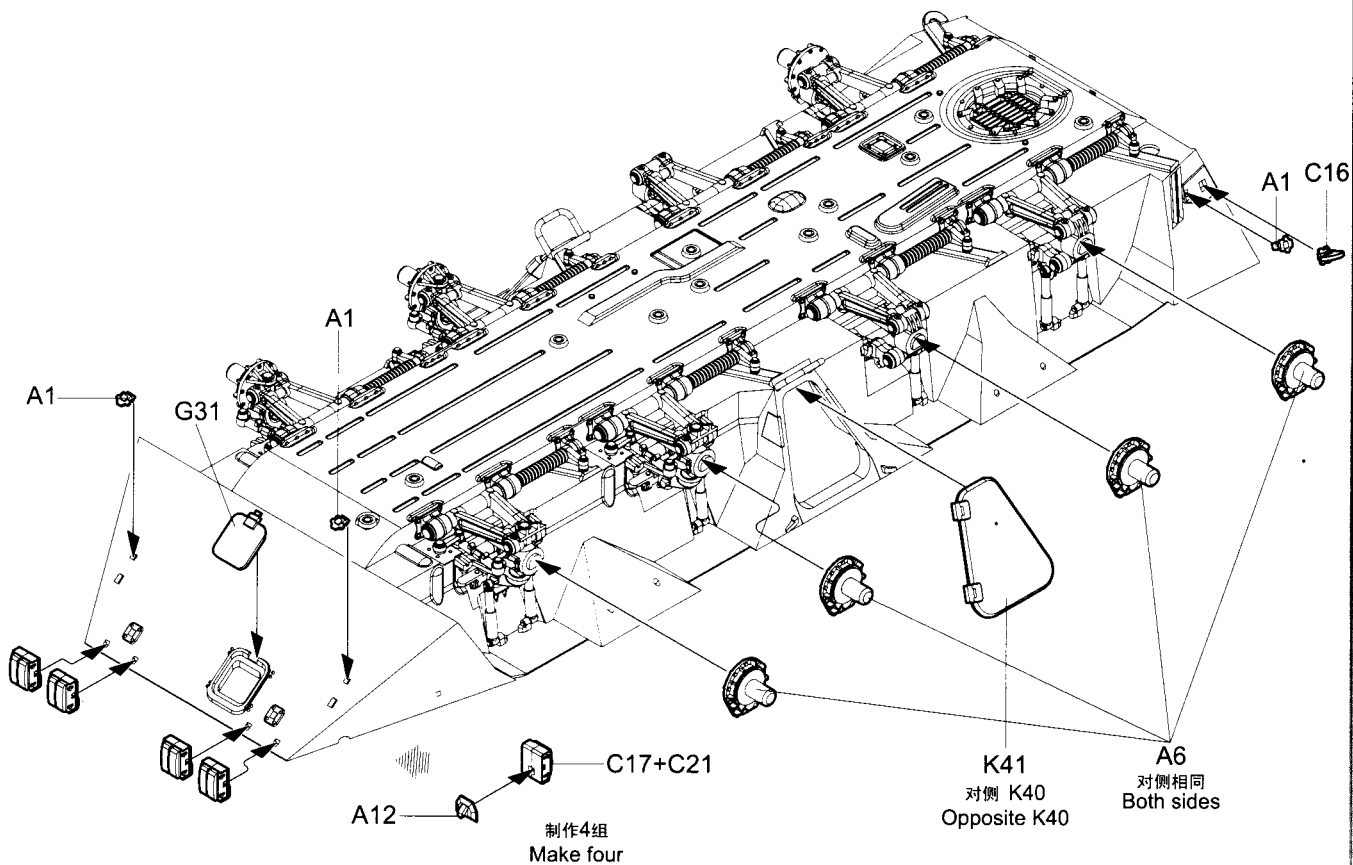
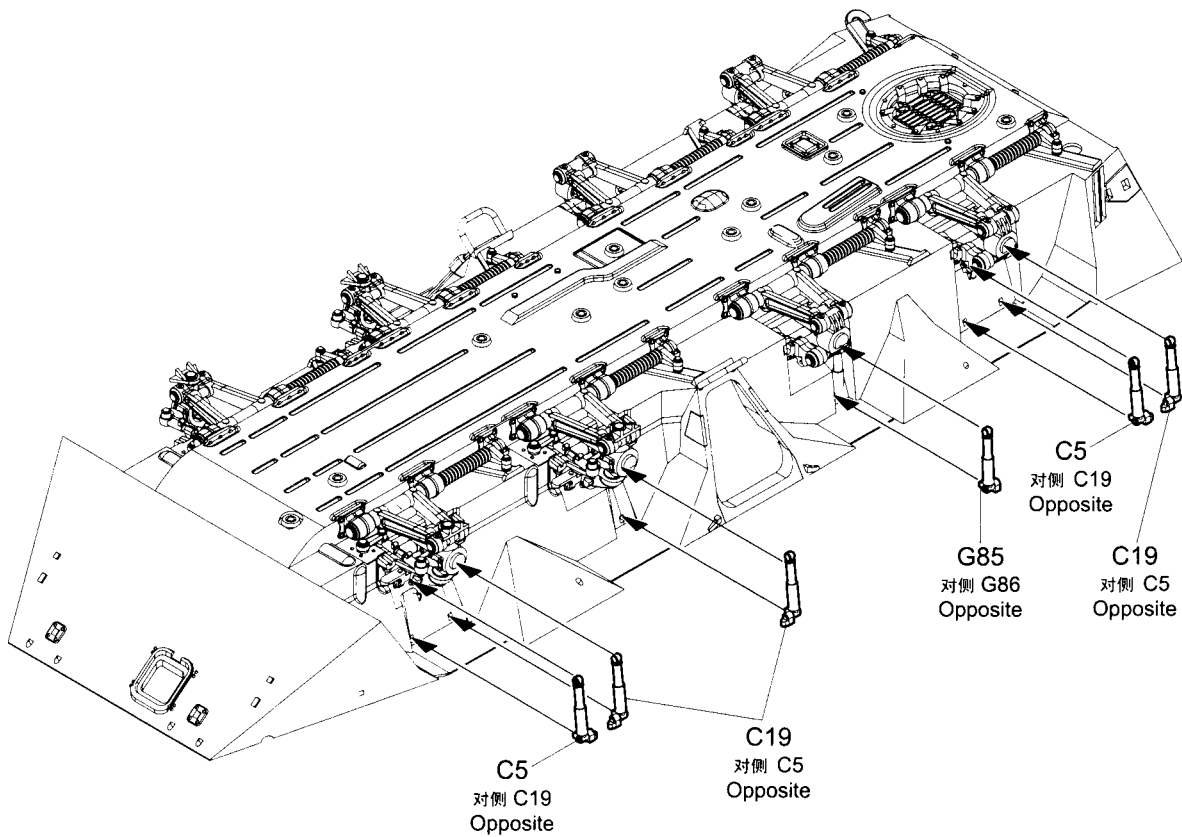
A9

制作4组
Make four

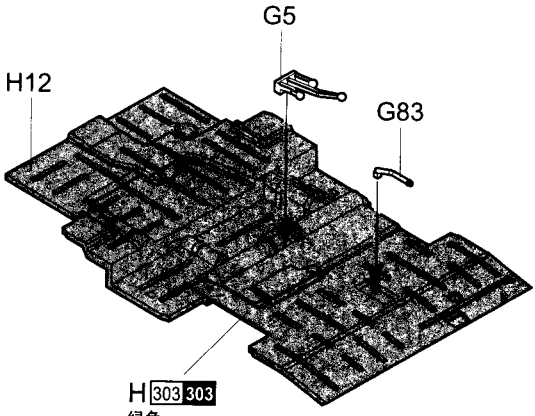
3



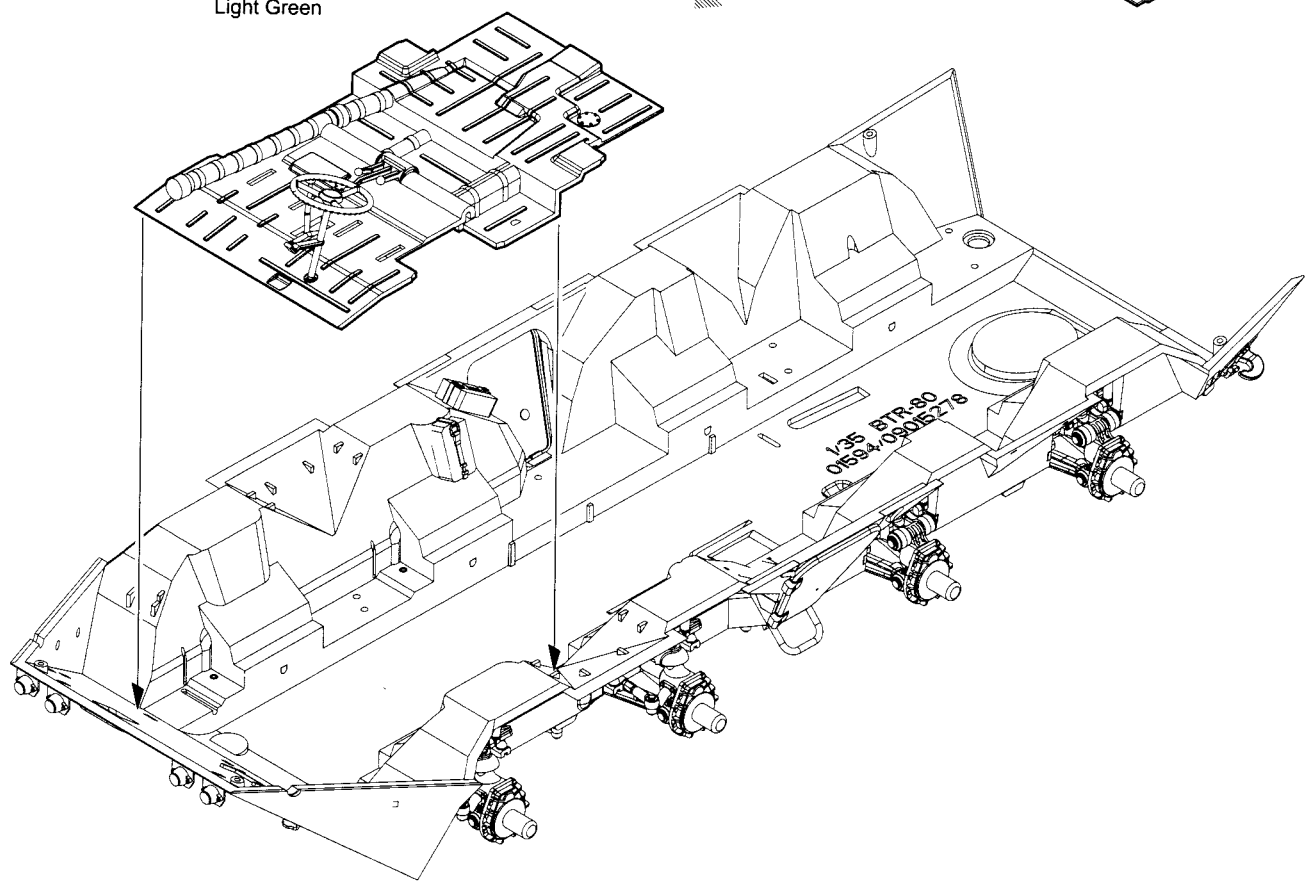
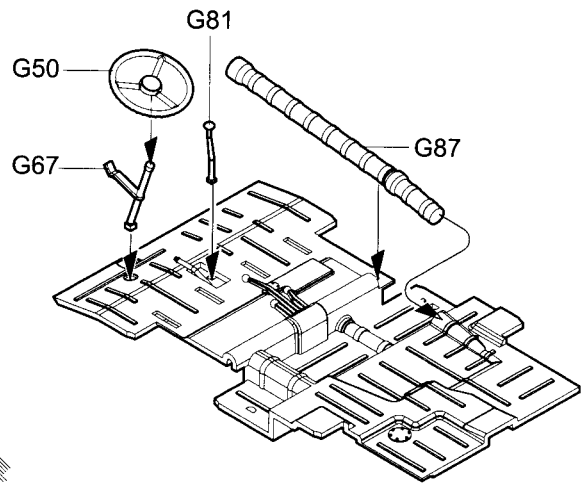
4



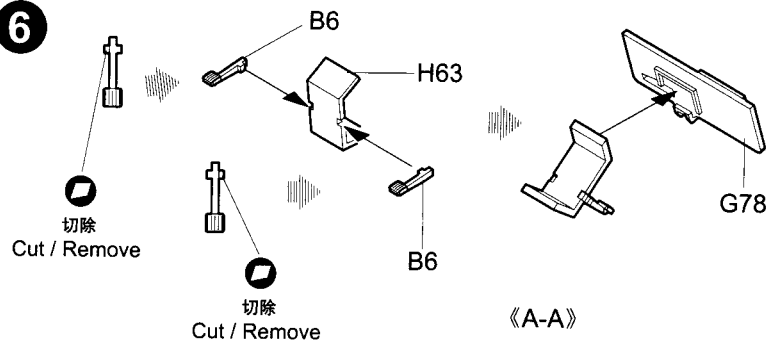
5



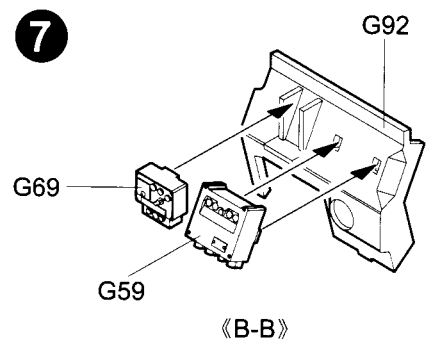
H 303 303
 绿色
 Light Green

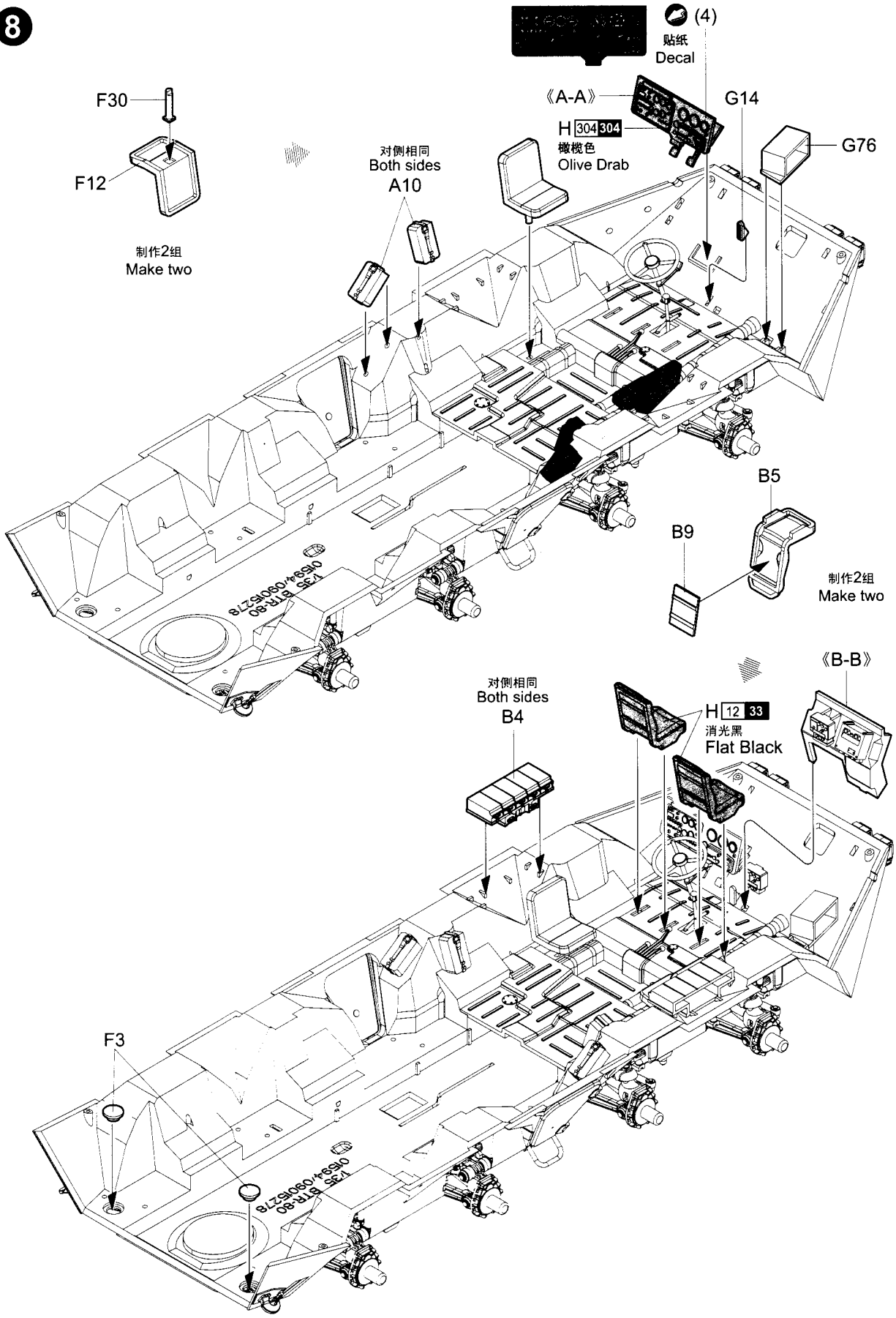


6



7





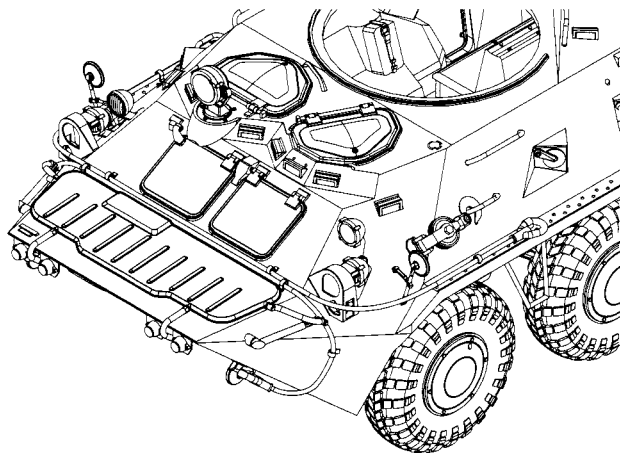
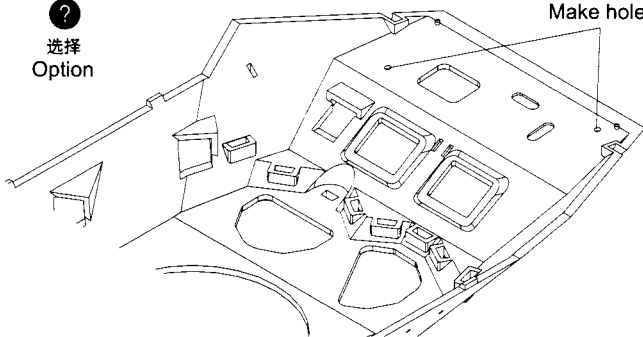
9

L7 收起状态, 车面开口, 参考第14页。

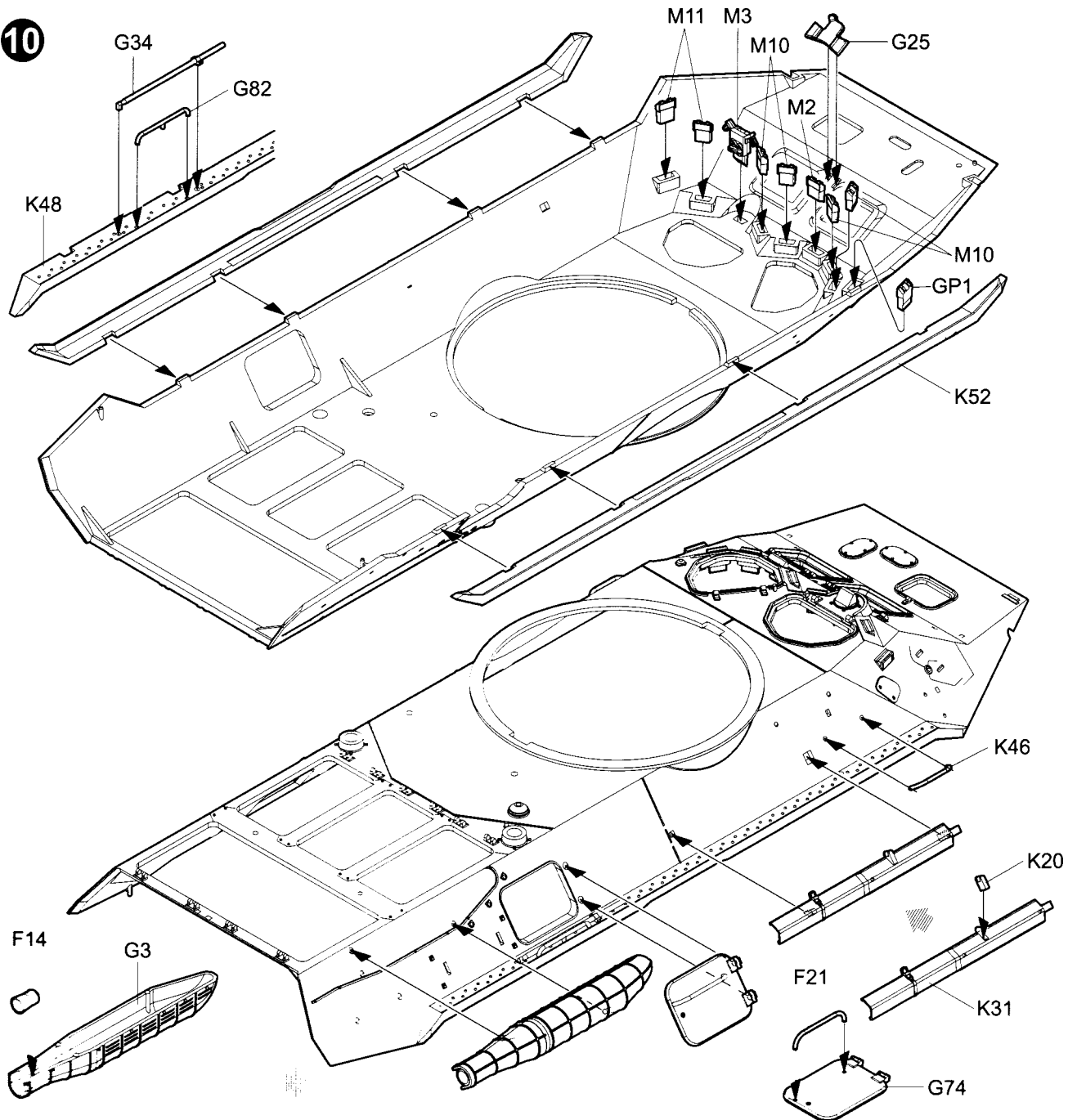
L7 close, upper hull make holes, refer to the 14 page.

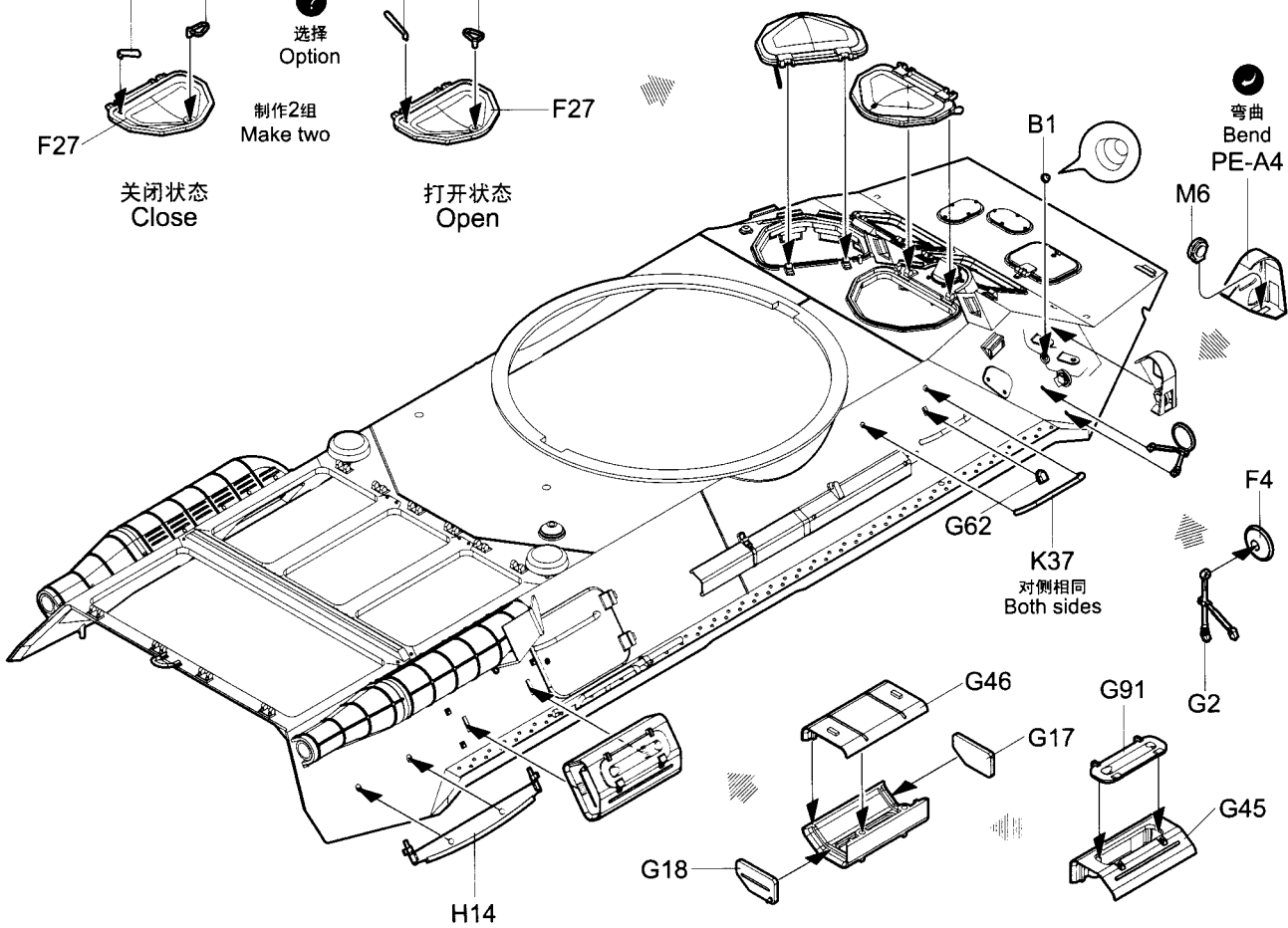
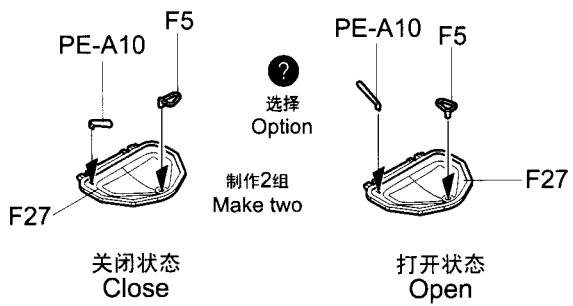
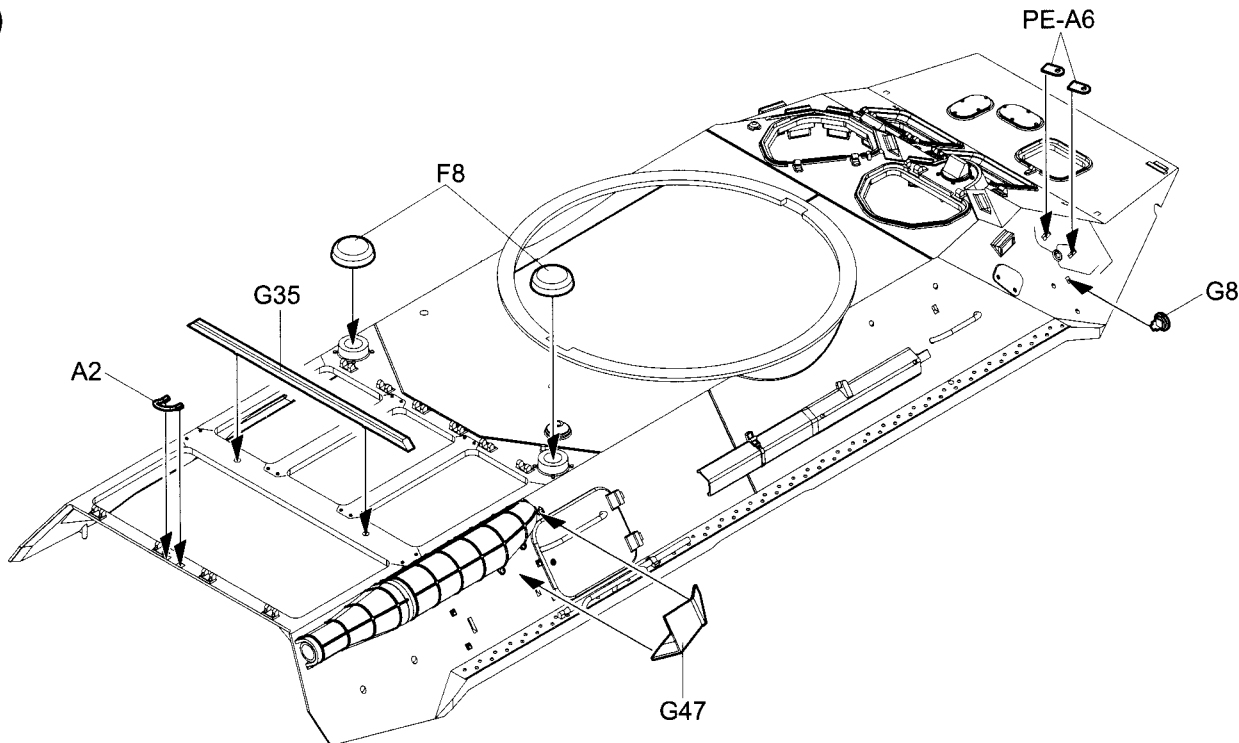
?
选择
Option

T
钻孔
Make hole

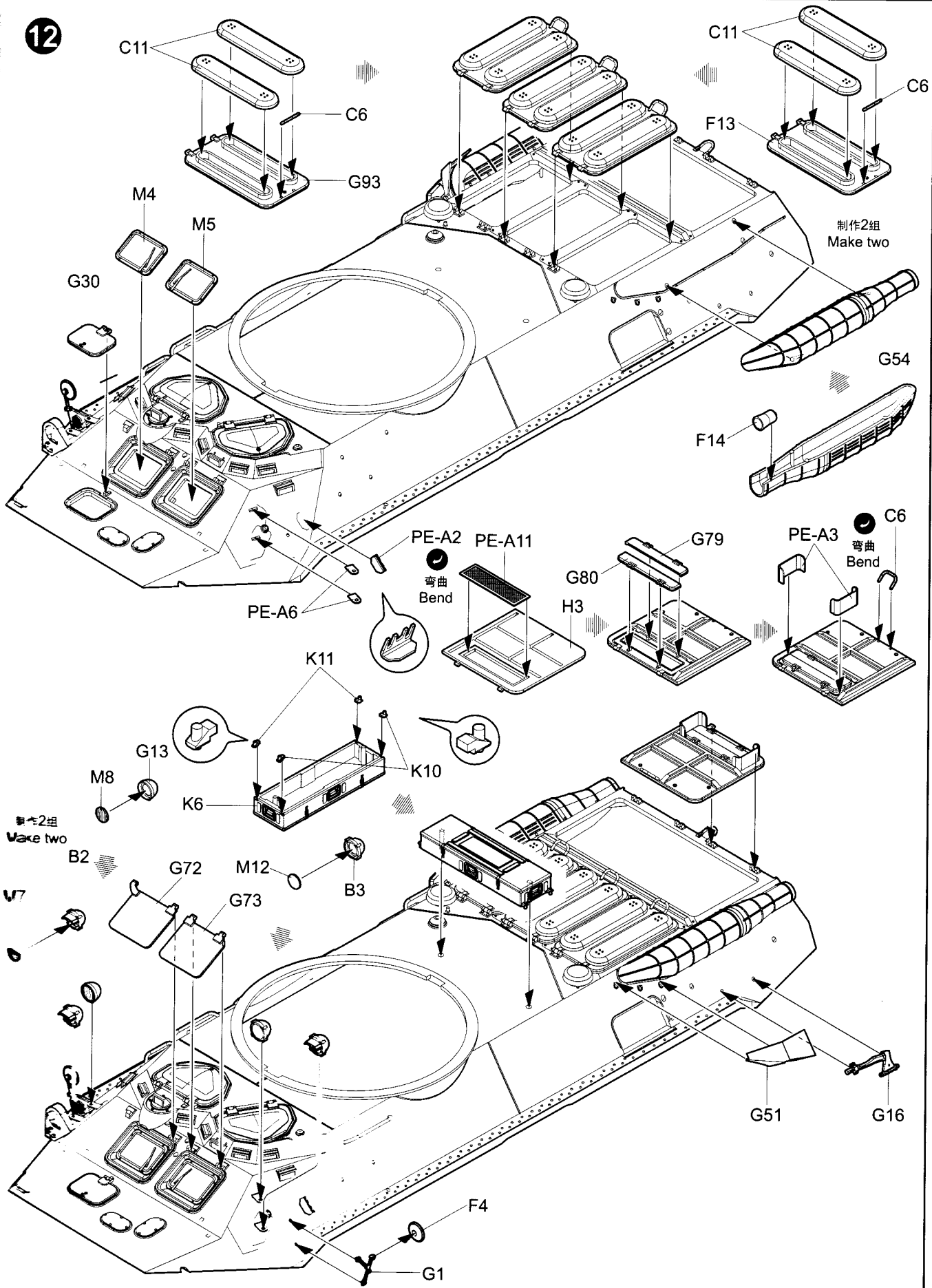


10



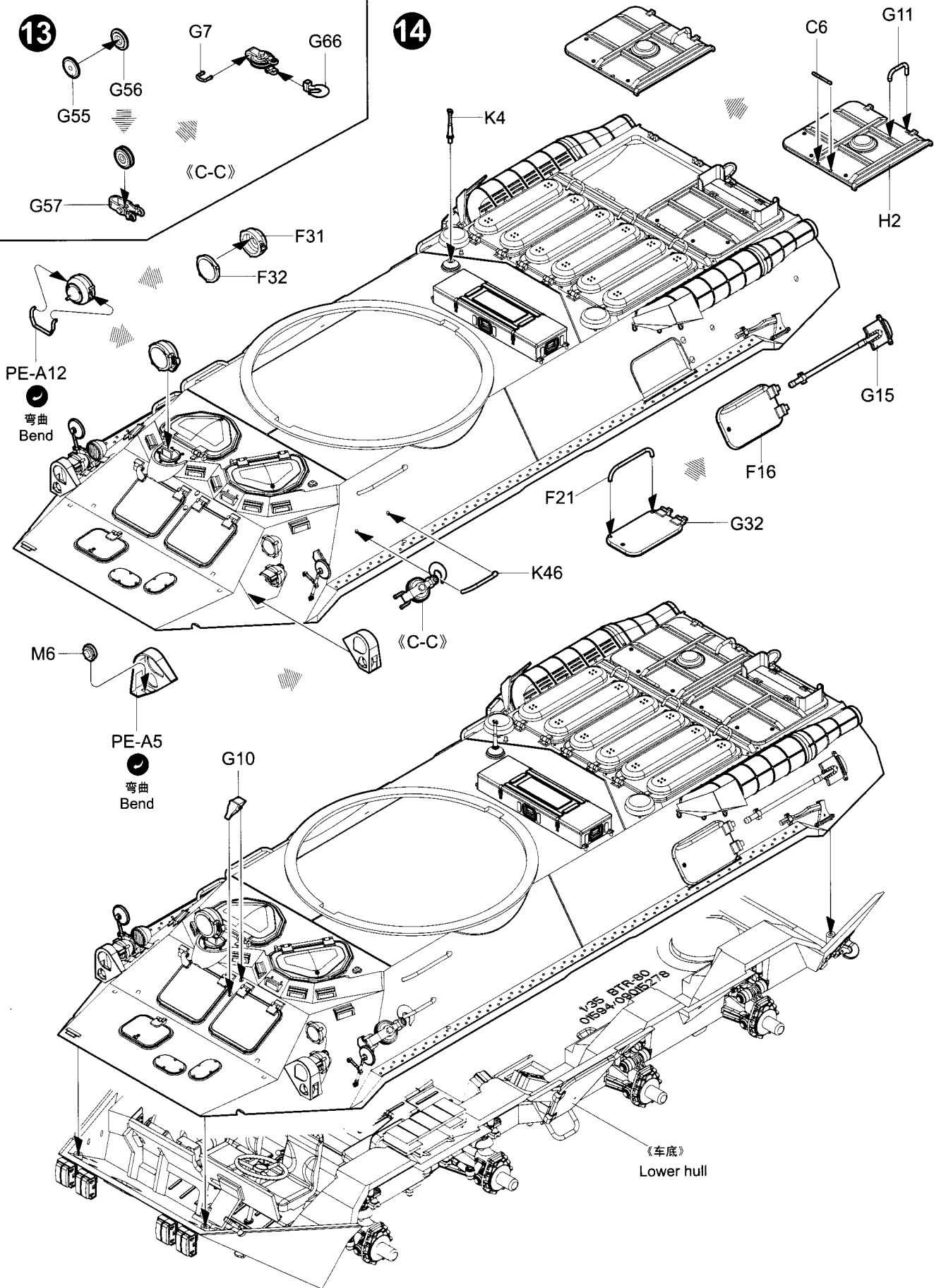


12

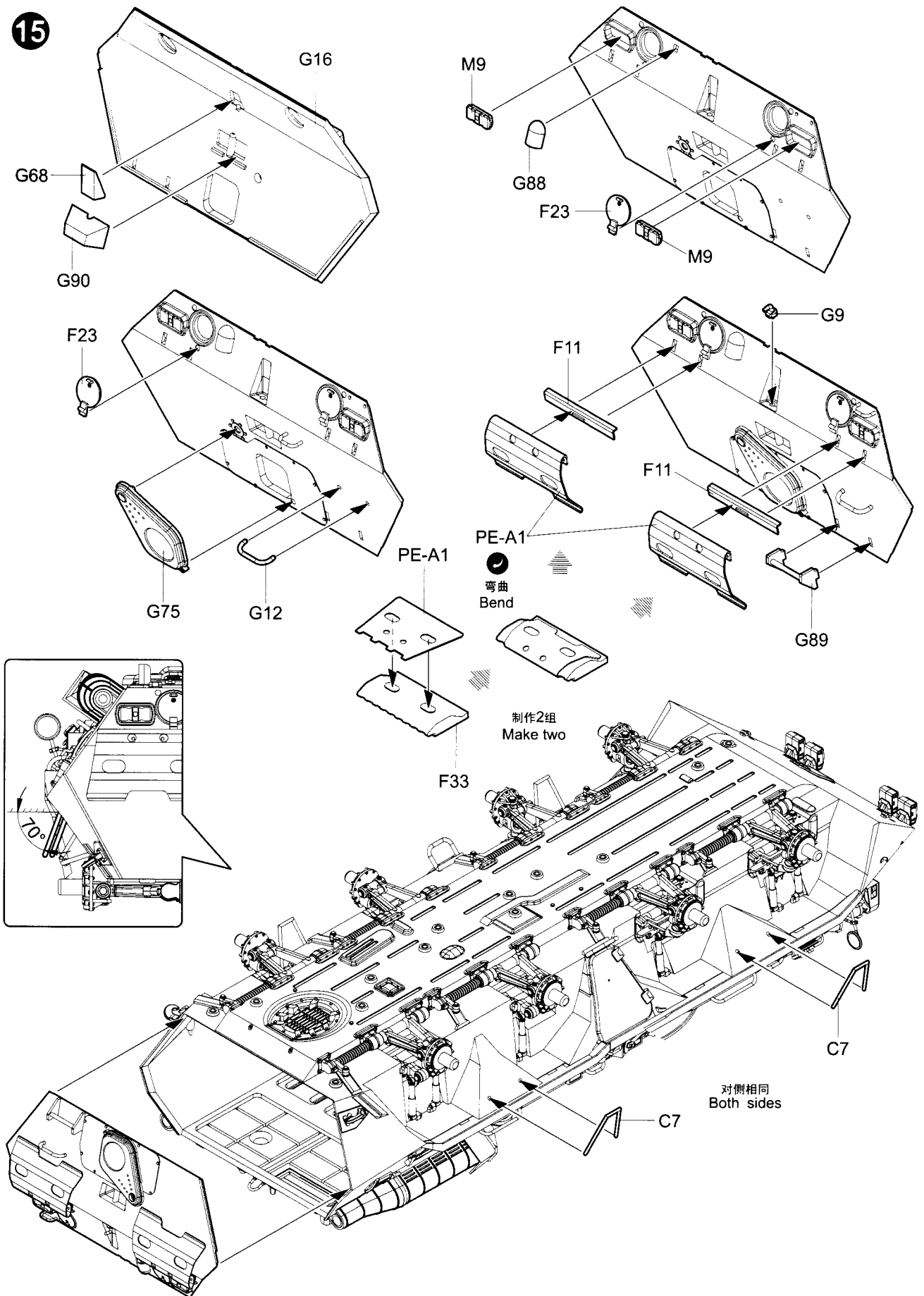


13

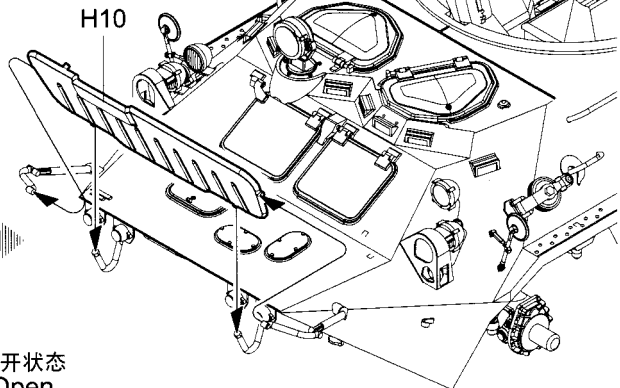
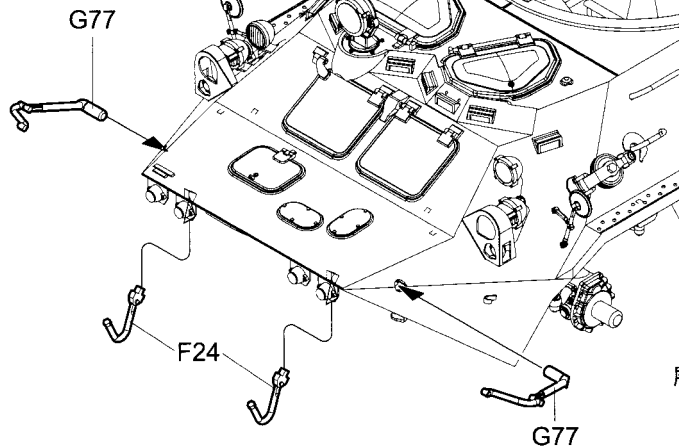
14



15



16

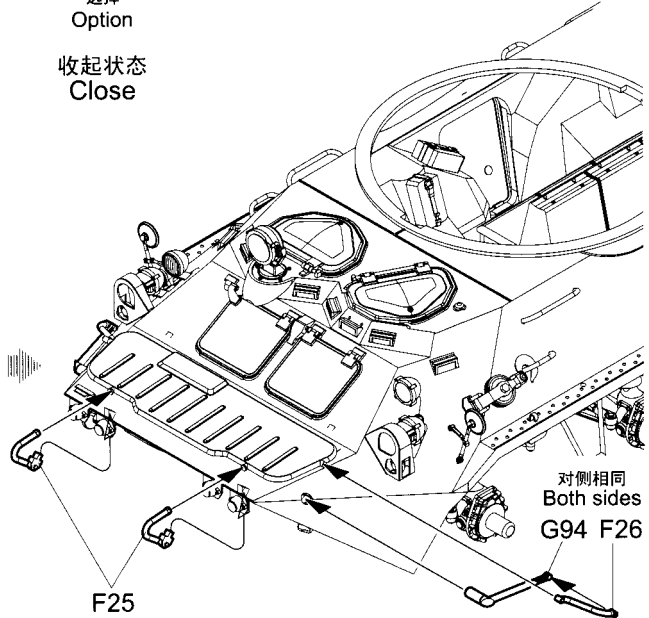
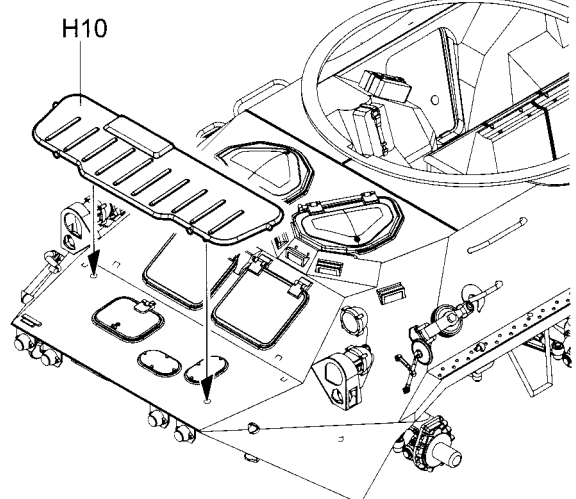


展开状态
Open



选择
Option

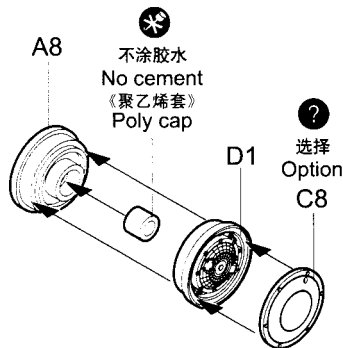
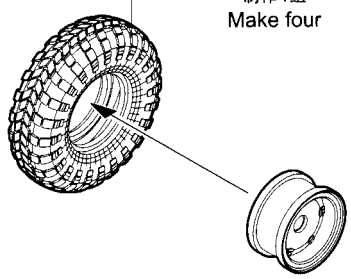
收起状态
Close



对侧相同
Both sides
G94 F26

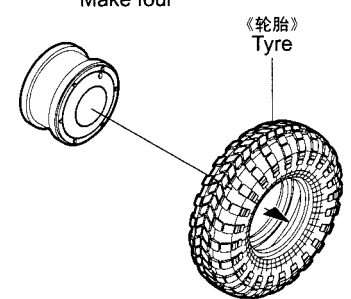
17

《轮胎》
Tyre
《左侧轮胎》
Left tyre
制作4组
Make four



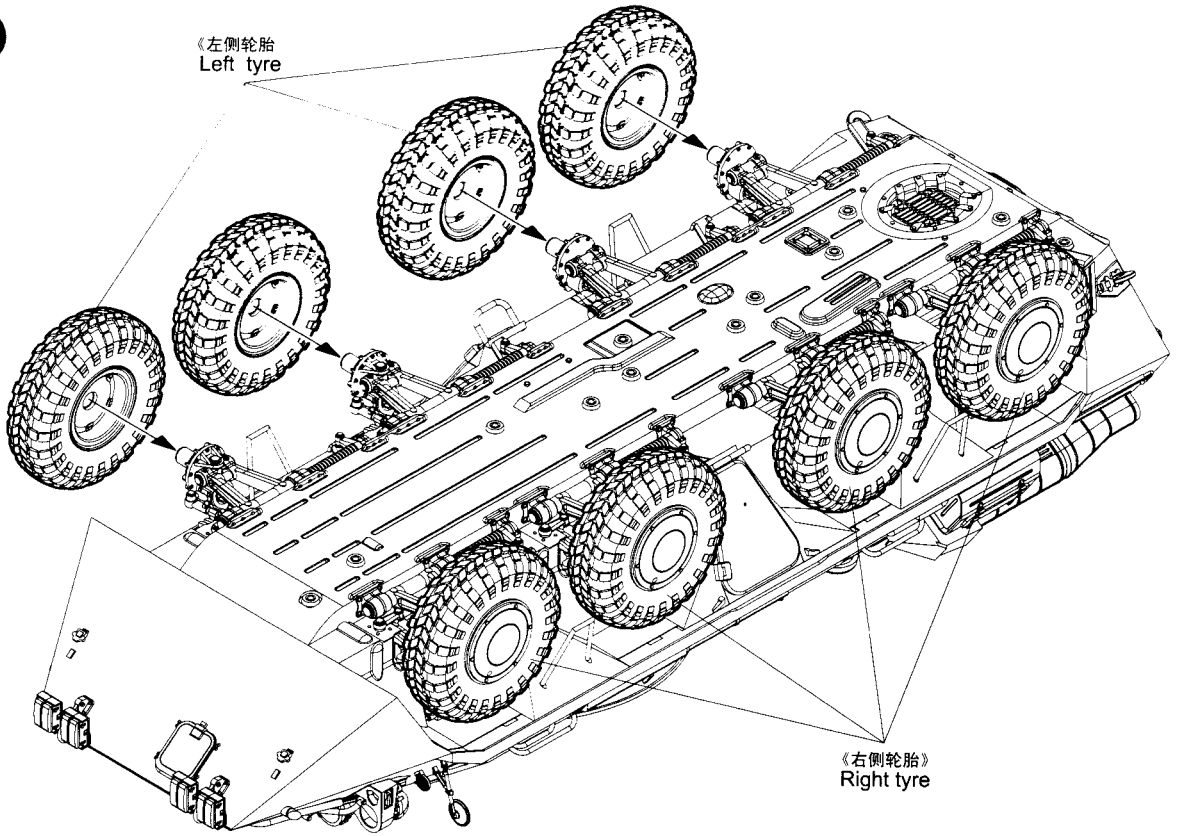
制作8组
Make eight

《右侧轮胎》
Right tyre
制作4组
Make four



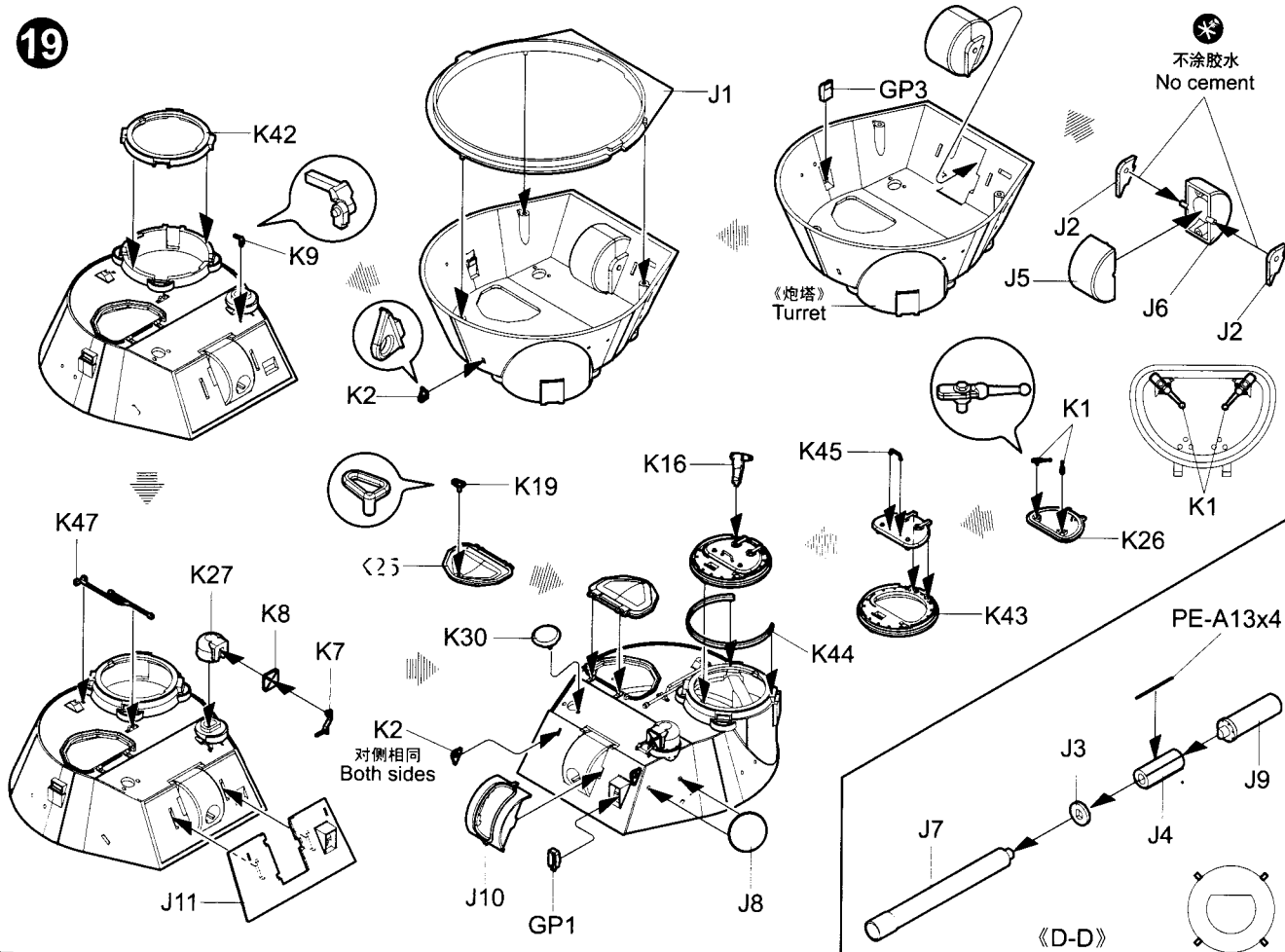
18

《左侧轮胎》
Left tyre



《右侧轮胎》
Right tyre

19



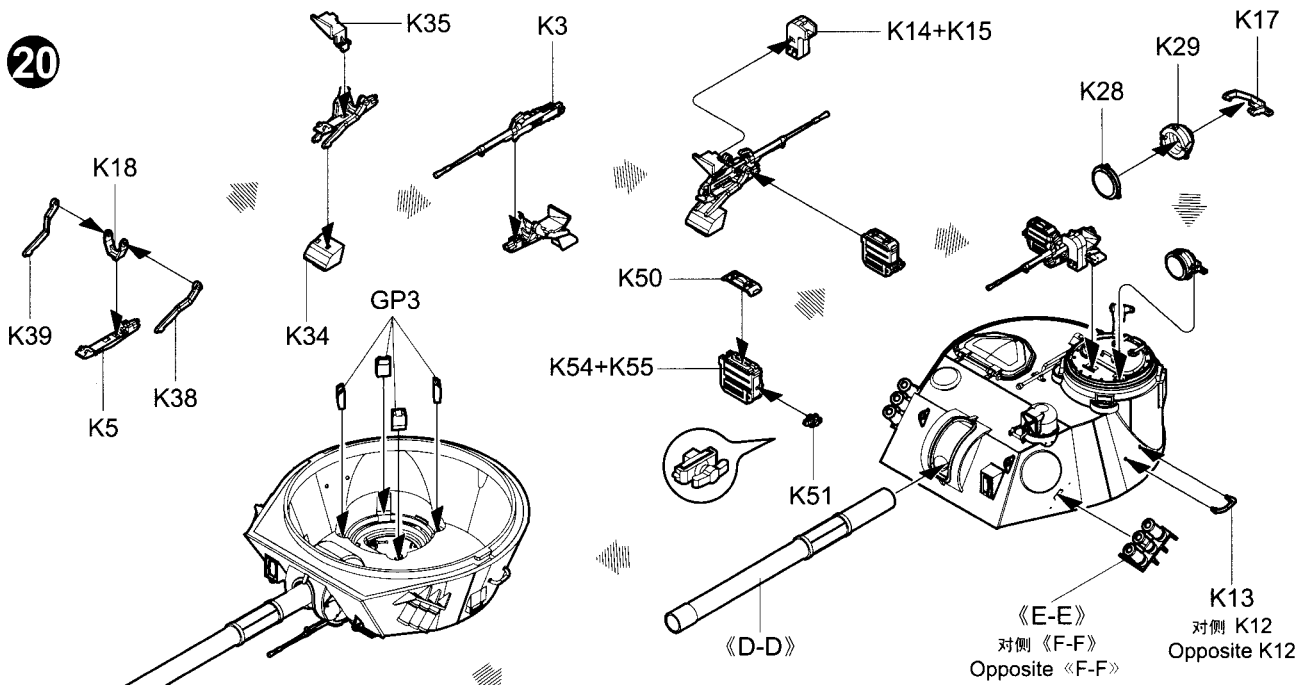
不涂胶水
No cement

《炮塔》
Turret

对侧相同
Both sides

《D-D》

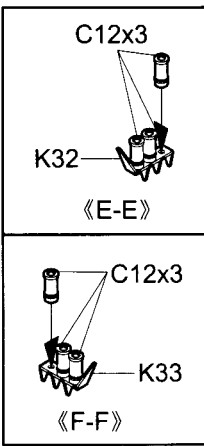
20



G71

《铜缆》 $\varnothing 0.6 \times 165 \text{mm}$
Brass wire

弯曲
Bend
PE-A7x8



F2

PE-A7x2

弯曲
Bend
对侧相同
Both sides

C16x2

《铜缆》 $\varnothing 0.6 \times 120 \text{mm}$
Brass wire

G70

F2