

1/72 SCALE

Bf109G-2/TR0P



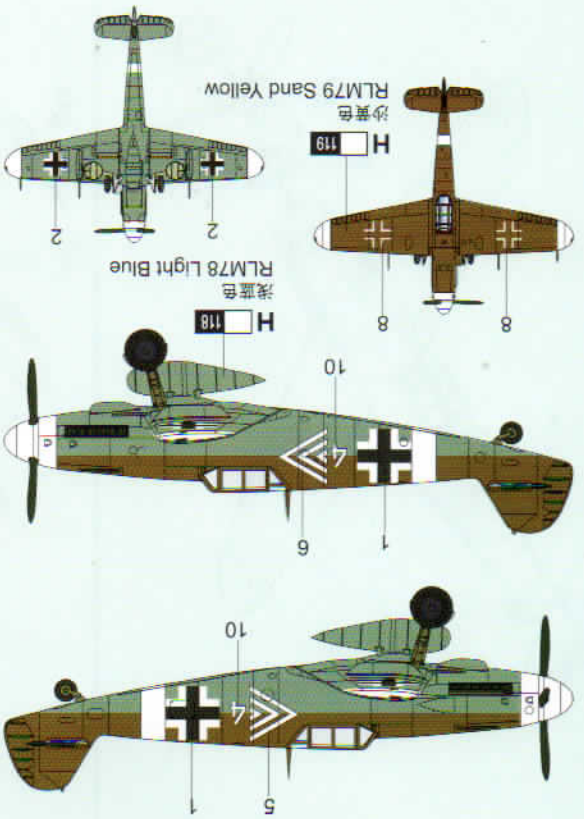
EASY ASSEMBLY AUTHENTIC KIT

-  cyanoacrylate glue 强力胶
-  weight 配重
-  make hole 钻孔
-  cut / remove 切除
-  option 选择
-  no comment 不涂胶水
-  decal 贴纸
-  bend 弯曲

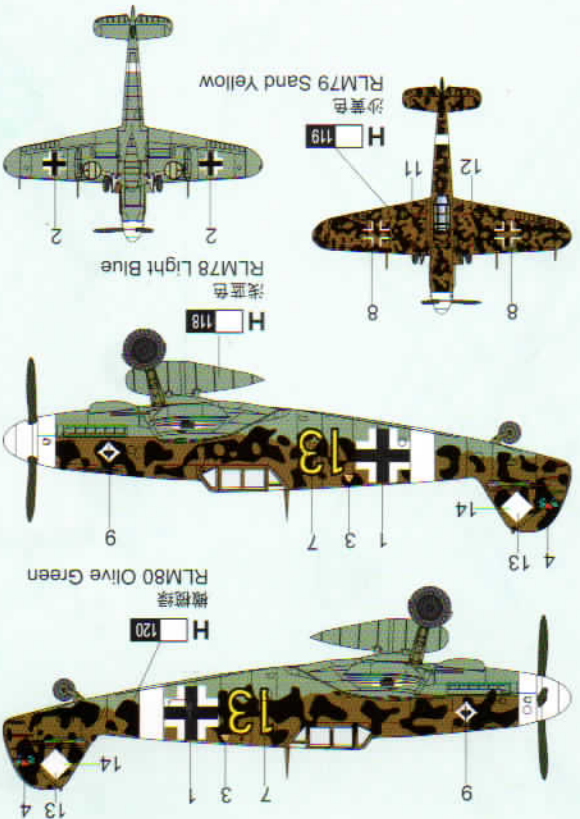
水贴纸的使用方法:

1. Cut off the decal from the decal paper and put it into the warm water 40° for 10 seconds.
 2. Take the decal from the water and put it on a piece of clean cloth.
 3. Remove the decal slowly from the paper to the targeted location by a wet finger.
 4. Use a piece of dry and soft cloth to press it gently on the decal until it peeling dry and no bubble existing.
- 一 把相关的印花从水贴纸上面取下, 放入40℃左右的温水中浸泡10秒。
二 然后将印花放在干净的布上。
三 拿上印花纸底, 手指蘸水将印花移到适当的位置。
四 用软干布轻压印花直至水干, 气泡消失。

JG27, 1943.



III./JG53, 1943, Tunisia.



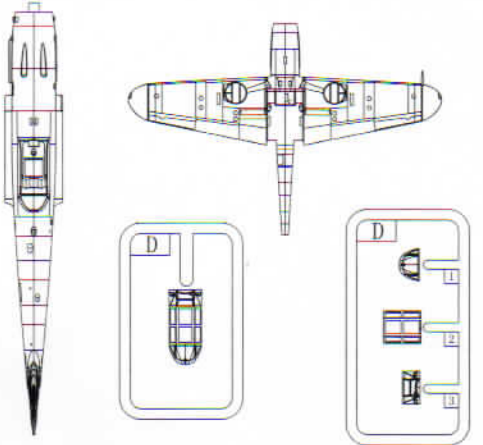
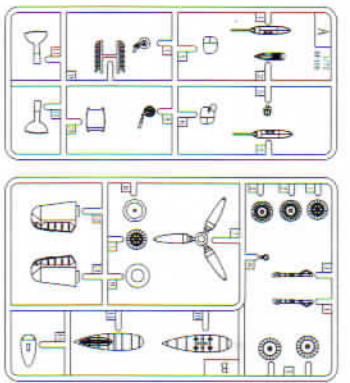
涂装同标贴指示

Painting & Marking guide

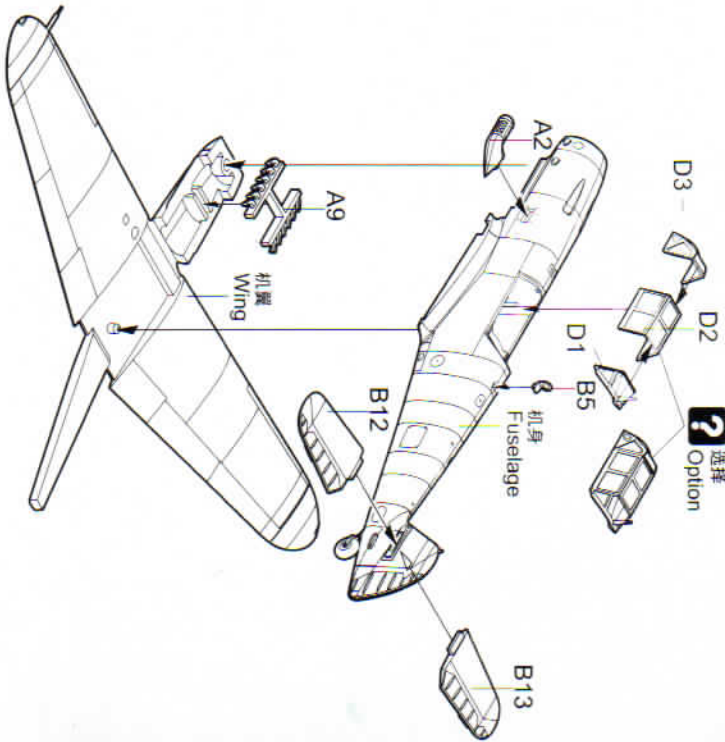
※ Some paints may not be available in your country. Please check your local hobby shop for substitute.

GUNZE SANGYO ADVENUS HOBBY COLOUR X GUNZE SANGYO MR.COLOUR

80224

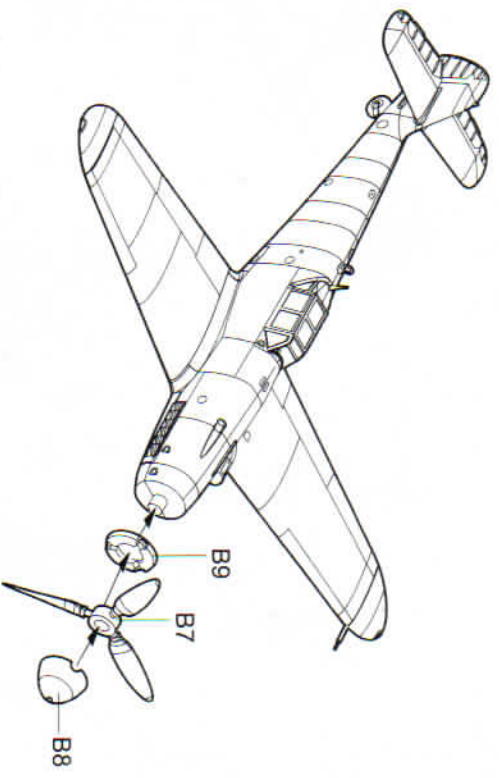


1

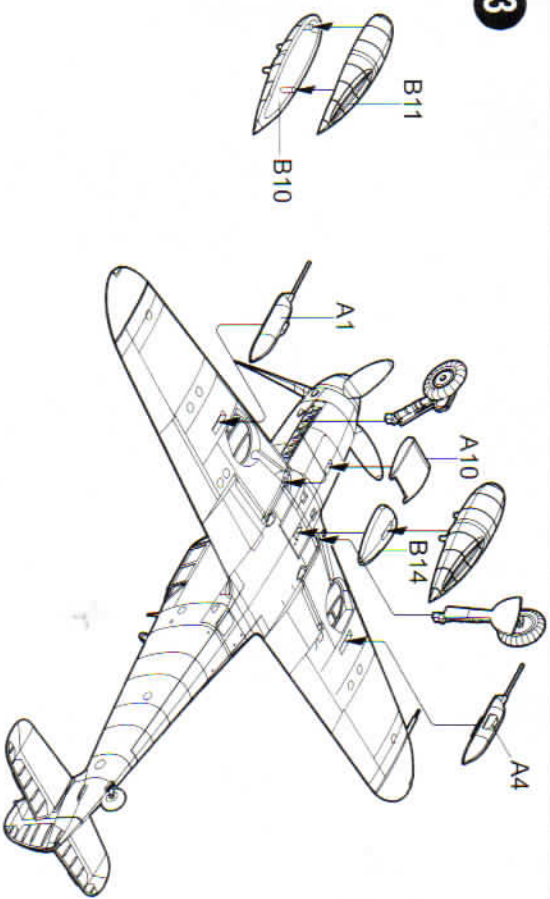


2 选择 Option

2



3



4

