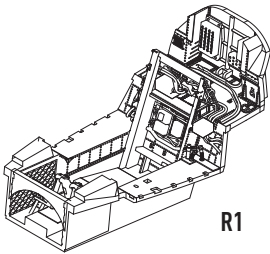
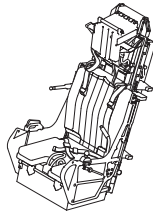


DETAILS AFTER REMOVAL FROM SUPPORTS

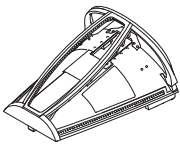
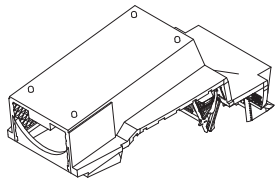
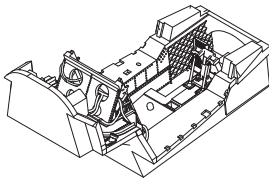
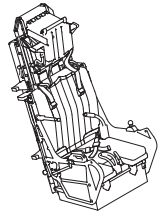
USE A SAW TO REMOVE SUPPORTS
FROM 3D PRINTED PARTS



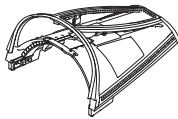
R1



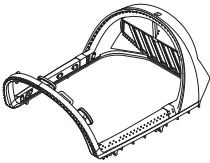
R2



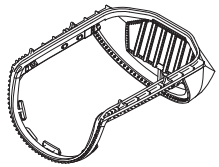
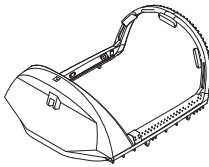
R3



R4



R5



R6



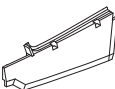
R7



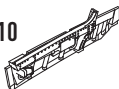
R8



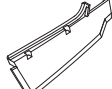
R9



R10



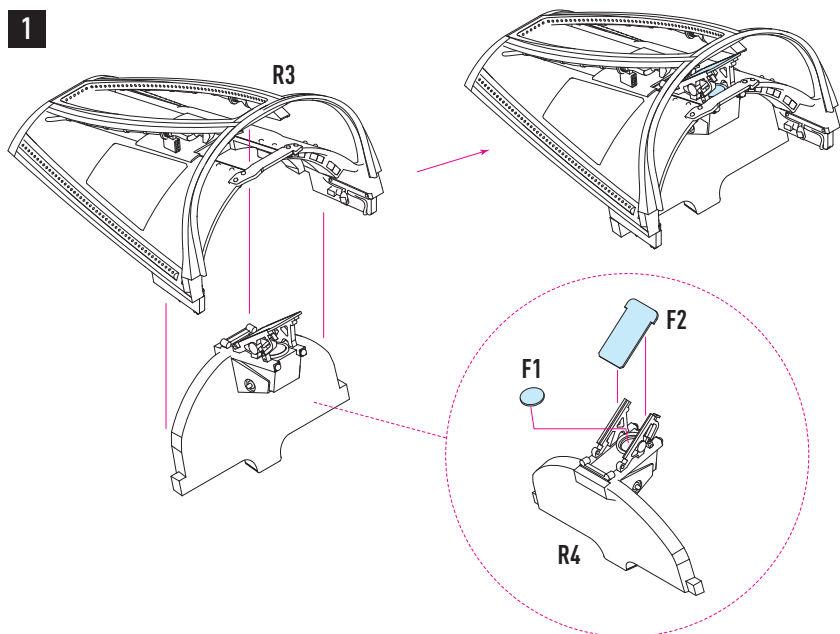
R11



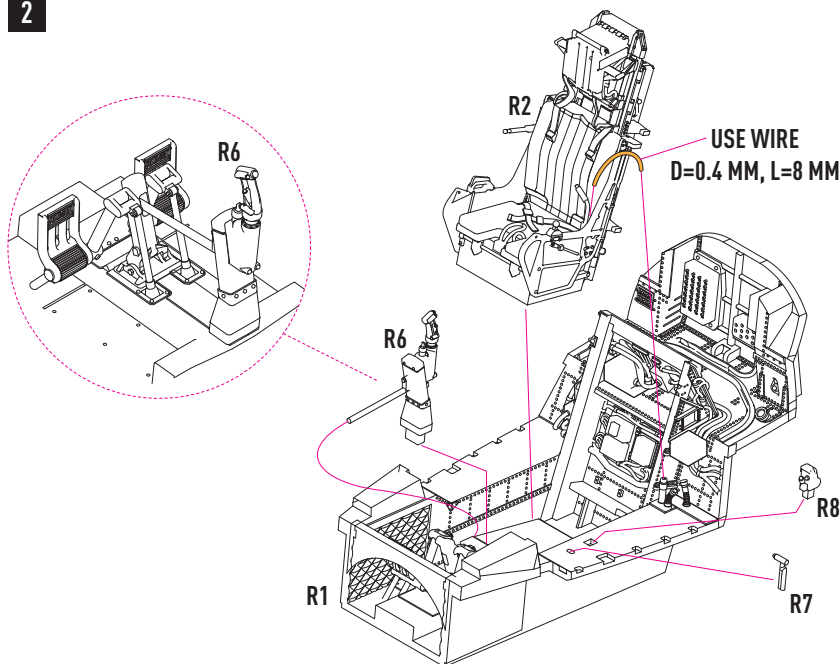
F1

F2

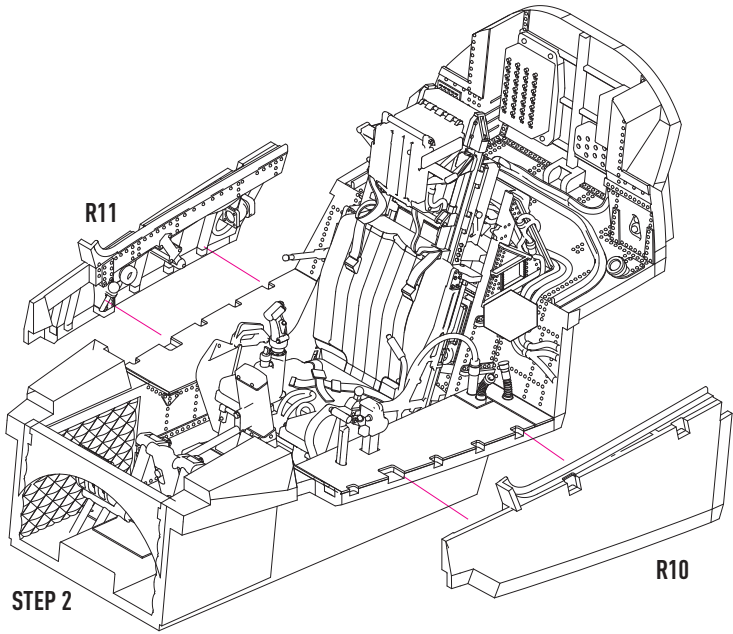
1



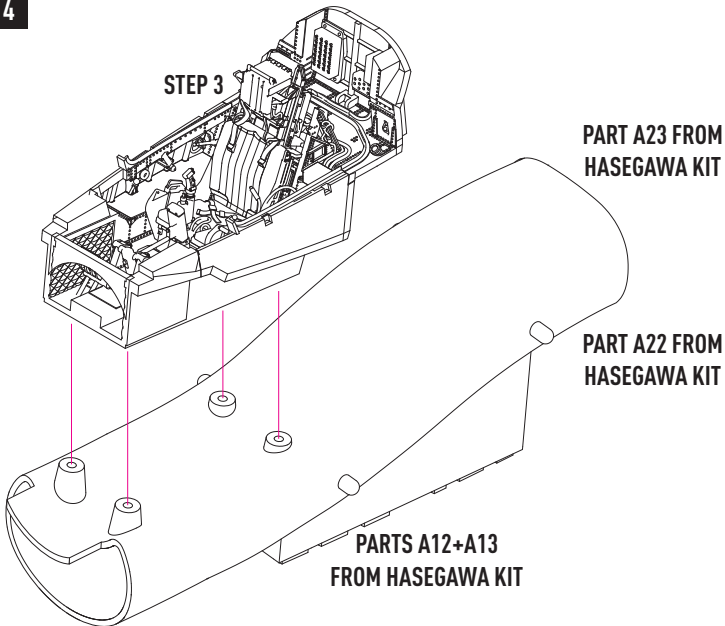
2



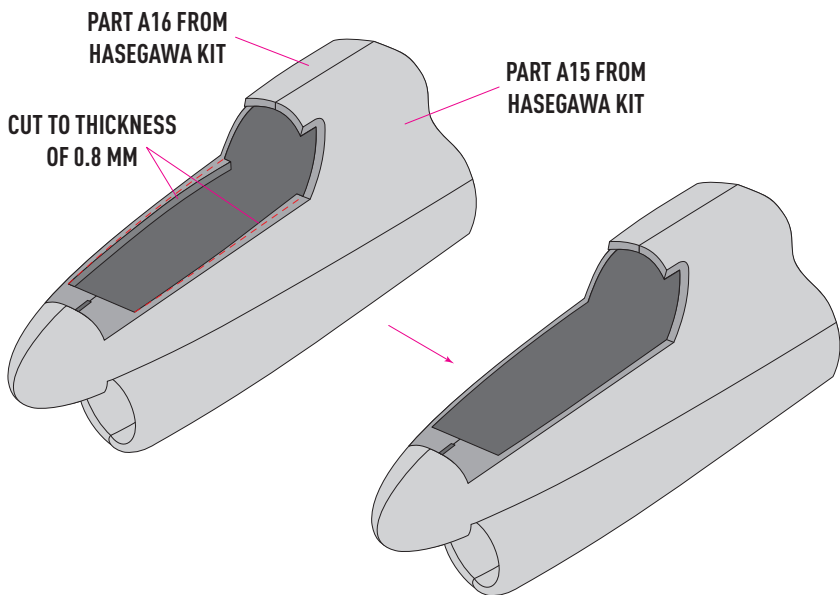
3



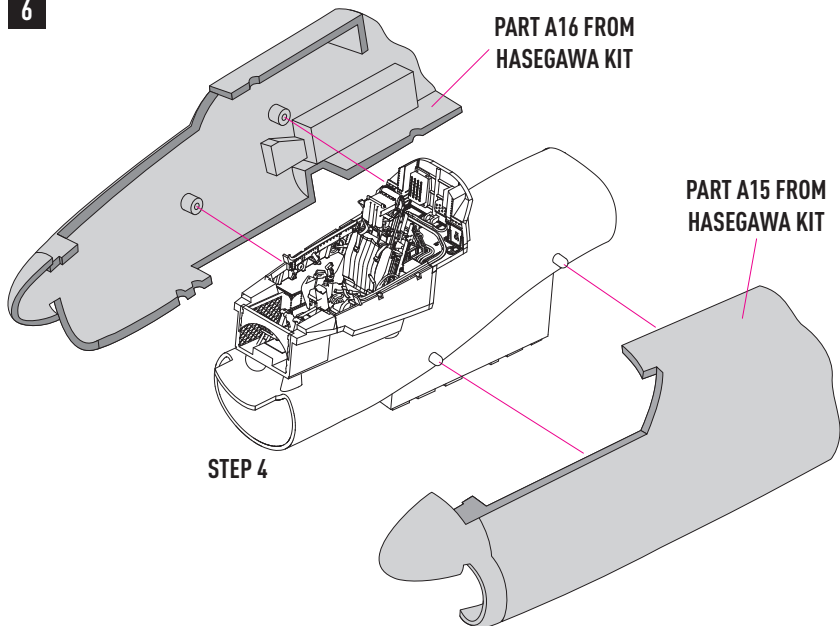
4



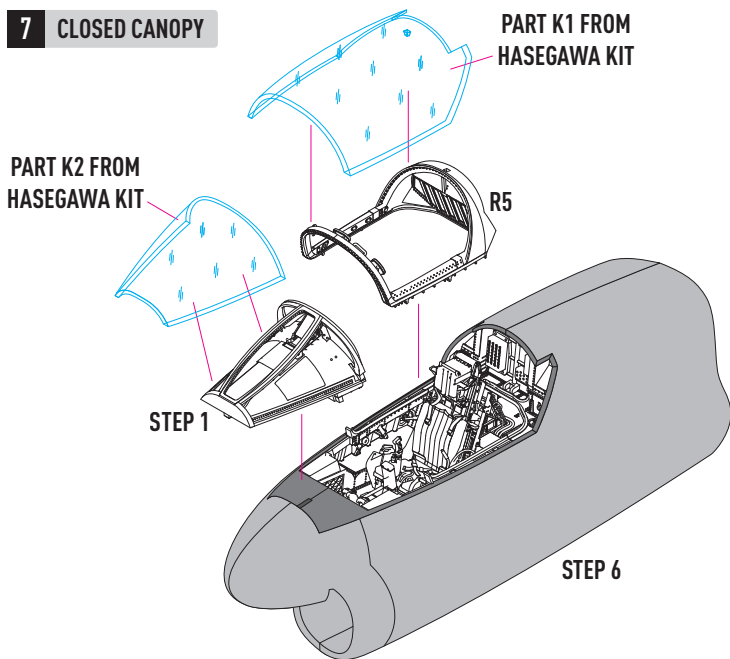
5 PREPARATION OF FUSELAGE PARTS FOR INSTALLATION OF ADDITIONAL KIT



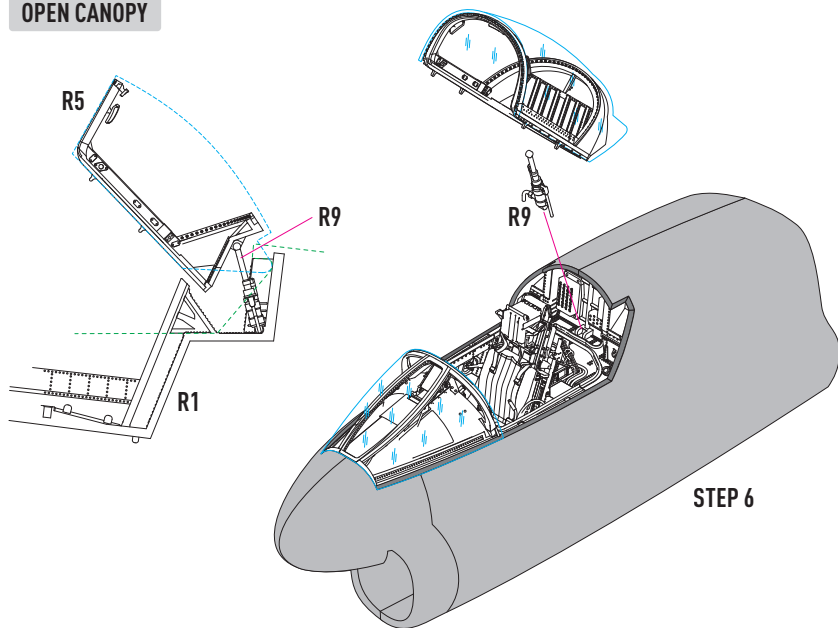
6



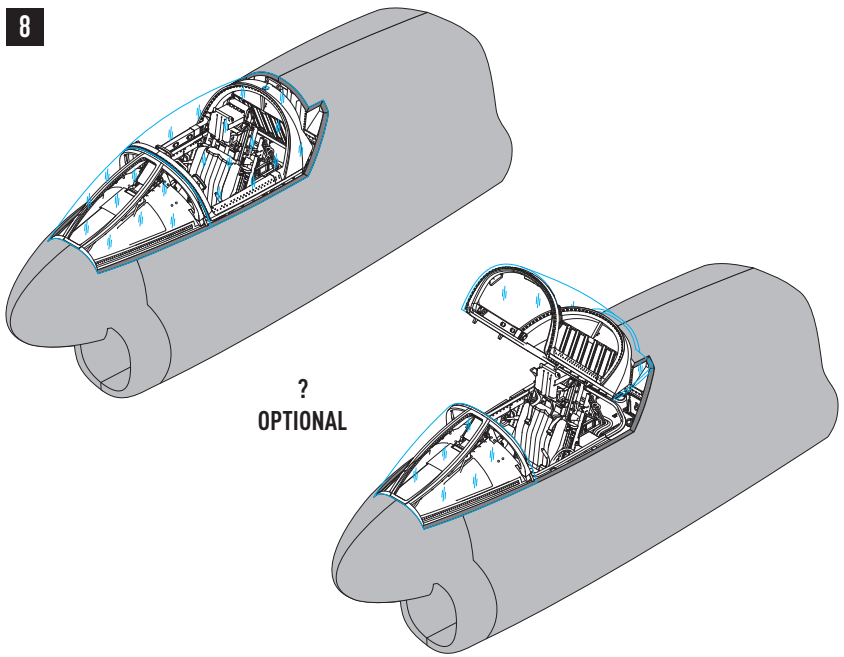
7 CLOSED CANOPY



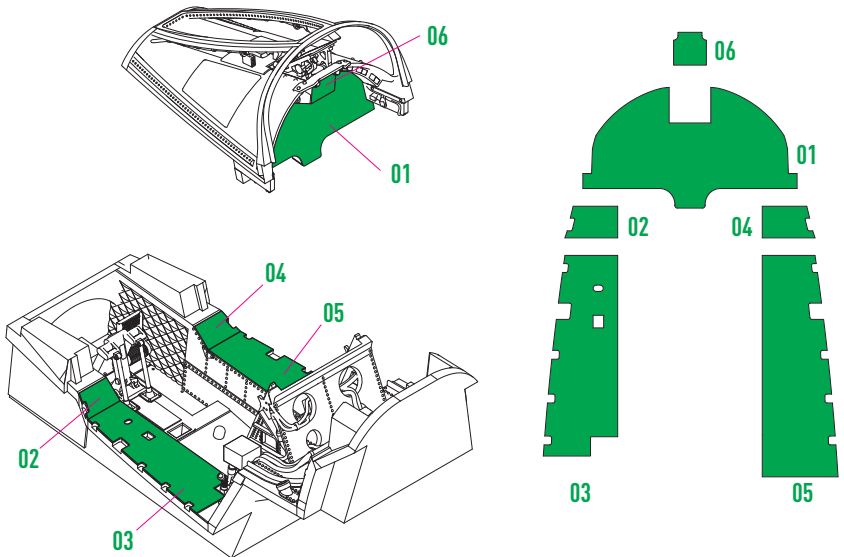
OPEN CANOPY



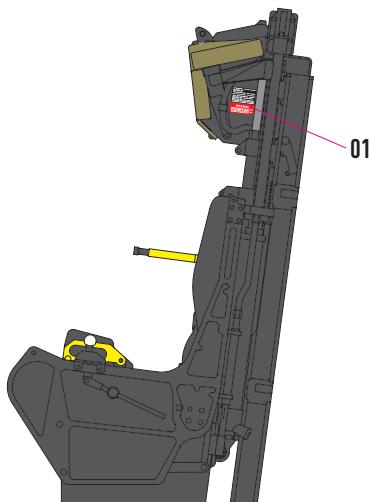
8



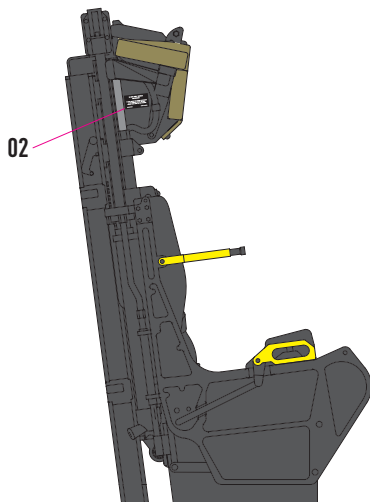
9 3D DECAL APPLICATION INSTRUCTIONS



DECAL INSTRUCTION

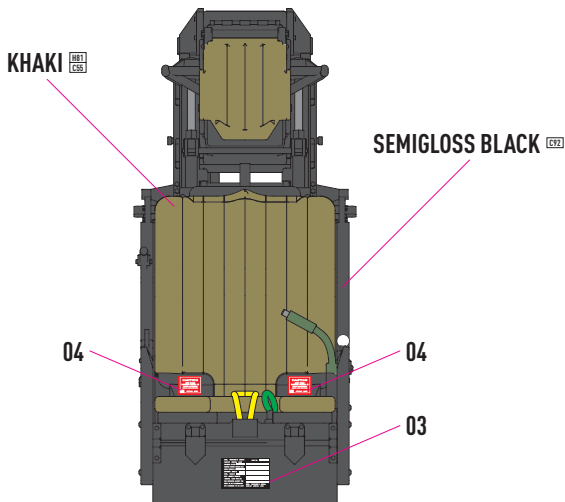


LEFT



RIGHT

FRONT



COLORS	GUNZE / ADEGUS	GUNZE / MR.COLOR
KHAKI	H81	C55
SEMIGLOSS BLACK		C92

general issues: info@reskit.com.ua / claim resolution: claims@reskit.com.ua

RESKIT-MODELS.COM

[fb.com/reskit.official](https://www.facebook.com/reskit.official)

[instagram.com/reskit_official](https://www.instagram.com/reskit_official)

[pinterest.com/reskit_official](https://www.pinterest.com/reskit_official)

YOU CAN FIND INSTRUCTIONS
IN PDF FORMAT ON THE WEBSITE

RESKIT-MODELS.COM

General Issues: info@reskit.com.ua

Wholesales: sales@reskit.com.ua

Claim Resolution: claims@reskit.com.ua