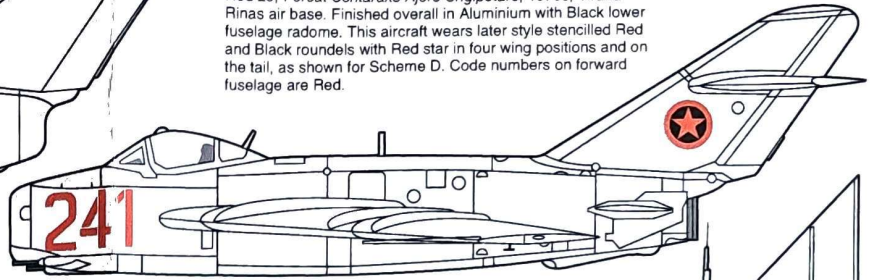
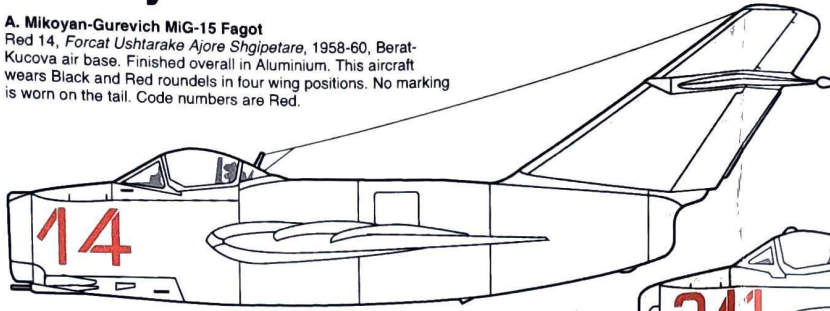


Albanian People's Army Air Force 1958-1980

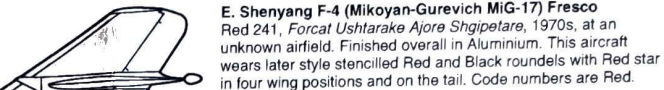
A. Mikoyan-Gurevich MiG-15 Fagot

Red 14, *Forcat Ushtarake Ajore Shqiptare*, 1958-60, Berat-Kucova air base. Finished overall in Aluminium. This aircraft wears Black and Red roundels in four wing positions. No marking is worn on the tail. Code numbers are Red.



C. Ilyushin Il-28 Beagle

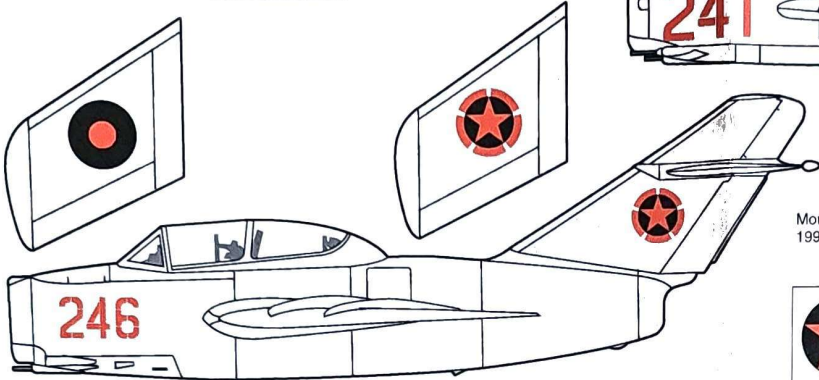
Red 29, *Forcat Ushtarake Ajore Shqiptare*, 1970s, Tirana-Rinas air base. Finished overall in Aluminium with Black lower fuselage radome. This aircraft wears later style stencilled Red and Black roundels with Red star in four wing positions and on the tail, as shown for Scheme D. Code numbers on forward fuselage are Red.



E. Shenyang F-4 (Mikoyan-Gurevich MiG-17) Fresco

Red 241, *Forcat Ushtarake Ajore Shqiptare*, 1970s, at an unknown airfield. Finished overall in Aluminium. This aircraft wears later style stencilled Red and Black roundels with Red star in four wing positions and on the tail. Code numbers are Red.

More Albanian Air Force decals are available from Blue Rider featuring 1992 new-style markings (Sheet BR813).



B. Mikoyan-Gurevich MiG-15UTI Midget

Red 246, *Forcat Ushtarake Ajore Shqiptare*, 1970s, at an unknown airfield. Finished overall in Aluminium. This aircraft wears later style stencilled Red and Black roundels with Red star in four wing positions and on the tail. Code numbers are Red.

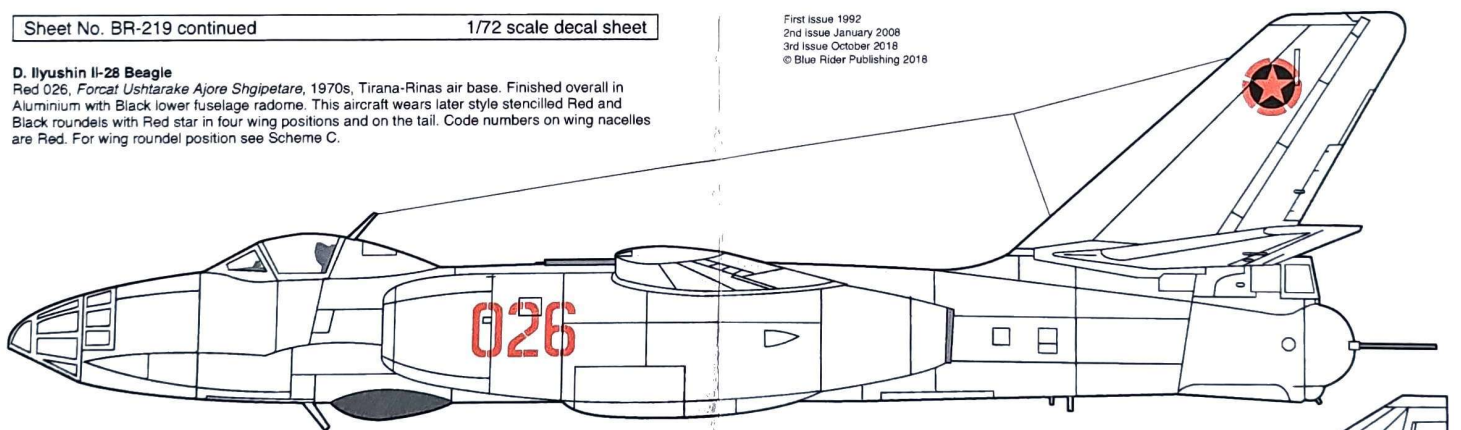
Produced in England by Blue Rider Publishing
Email: blueriderpublishing@gmail.com

Visit our website and shop at www.blueriderpublishing.com



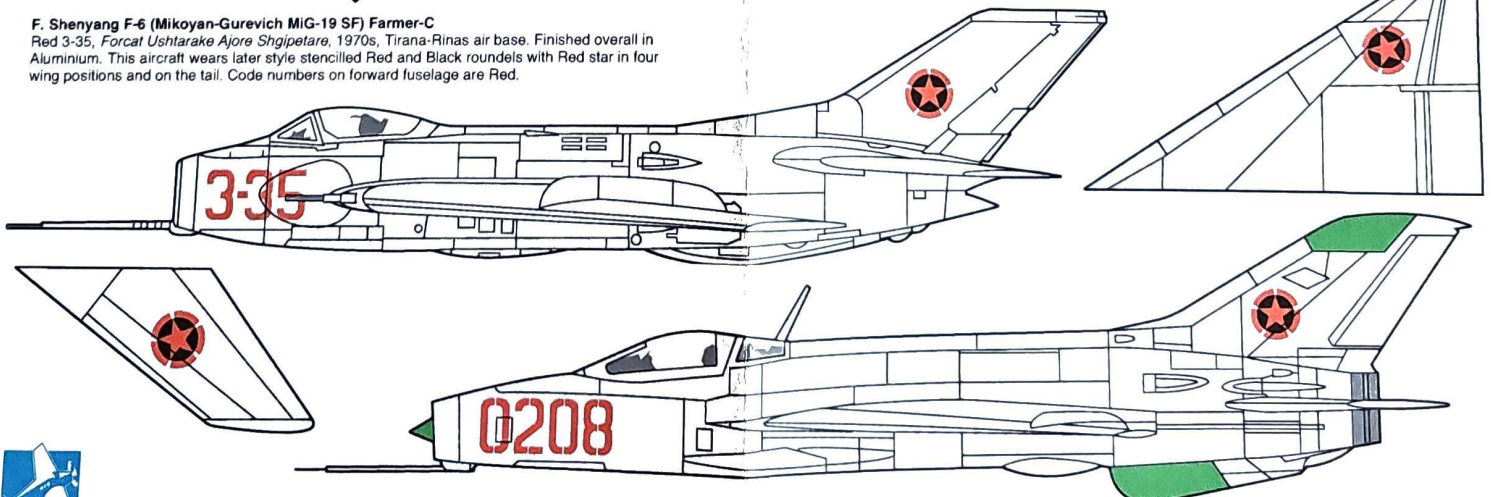
D. Ilyushin Il-28 Beagle

Red 026, *Forcat Ushtarake Ajore Shqiptare*, 1970s, Tirana-Rinas air base. Finished overall in Aluminium with Black lower fuselage radome. This aircraft wears later style stencilled Red and Black roundels with Red star in four wing positions and on the tail. Code numbers on wing nacelles are Red. For wing roundel position see Scheme C.



F. Shenyang F-6 (Mikoyan-Gurevich MiG-19 SF) Farmer-C

Red 3-35, *Forcat Ushtarake Ajore Shqiptare*, 1970s, Tirana-Rinas air base. Finished overall in Aluminium. This aircraft wears later style stencilled Red and Black roundels with Red star in four wing positions and on the tail. Code numbers on forward fuselage are Red.



G. Shenyang F-7A (Mikoyan-Gurevich MiG-21 F-13) Fishbed-E

Red 0208, *Forcat Ushtarake Ajore Shqiptare*, 1970s, unknown airfield. Finished overall in Aluminium with Green dielectric panels and nose cone. This aircraft wears later style stencilled Red and Black roundels with Red star in four wing positions and on the tail. Code numbers on forward fuselage are Red.

Produced in England by Blue Rider Publishing
Email: blueriderpublishing@gmail.com

Visit our website and shop at www.blueriderpublishing.com

