



# F-84F Thunderstreak

**▲ 注意**

- 本產品包含細小部份，請勿讓小孩接觸到。
- 避免小孩吸入任何部份，及勿讓小孩玩耍包裝袋而引起窒息。
- 使用工具，刀具等時要倍加小心，以免受傷。

**▲ Caution**

- Contains small parts. keep out of reach of small children
- Children must not be allowed to suck any parts, or put the package bags over the heads.
- Extra care should be taken to avoid injury when using tools and knives.



表示郡仕樹脂油漆編號  
refers to number of Mr.Color

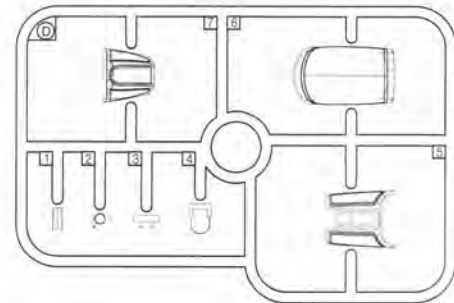
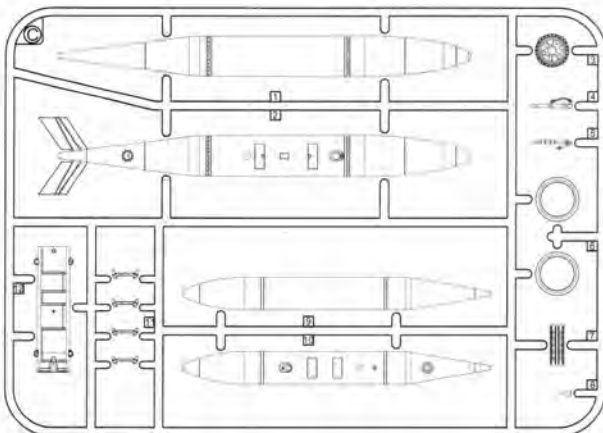
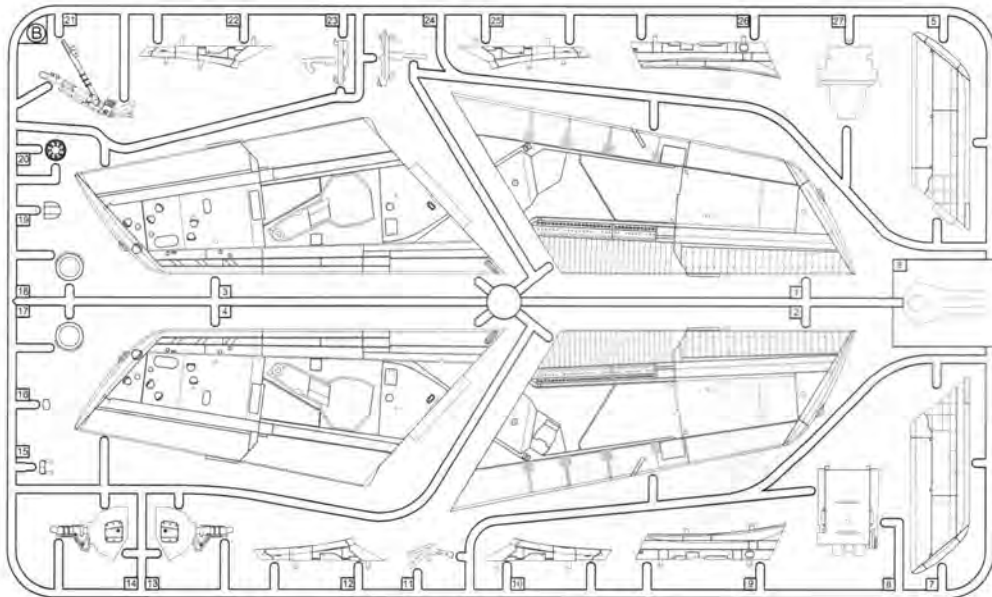
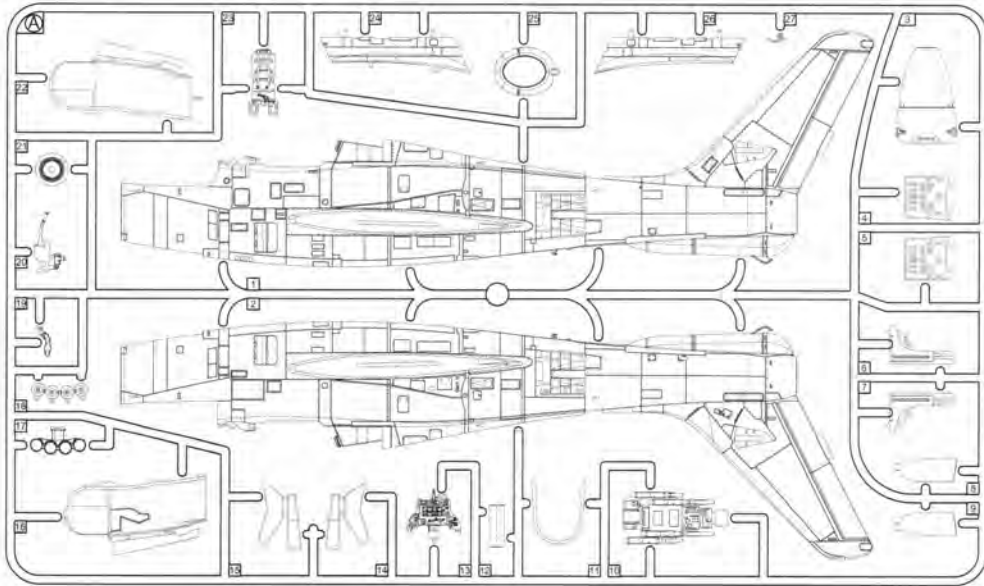
H8	銀色	Silver
H28	黑鐵色	Steel
H33	消光黑色	Flat Black
H3	紅色	Red
H12	深綠色	Olive Dark
H27	內部綠色	Interior Green
H61	燒鐵色	Burnt Iron

Warning 警告

本產品適合14歲或以上使用  
For age 14 years or above

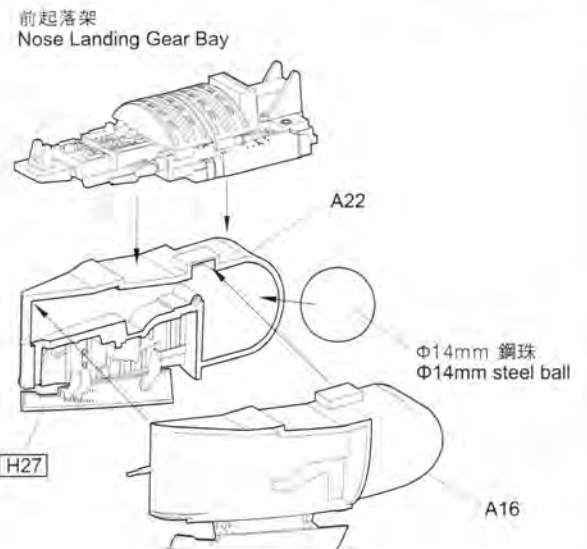
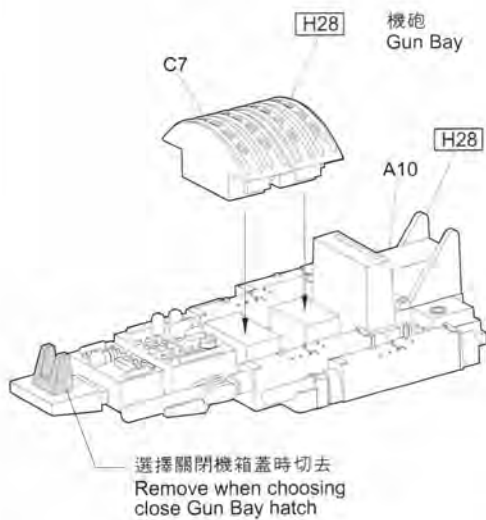
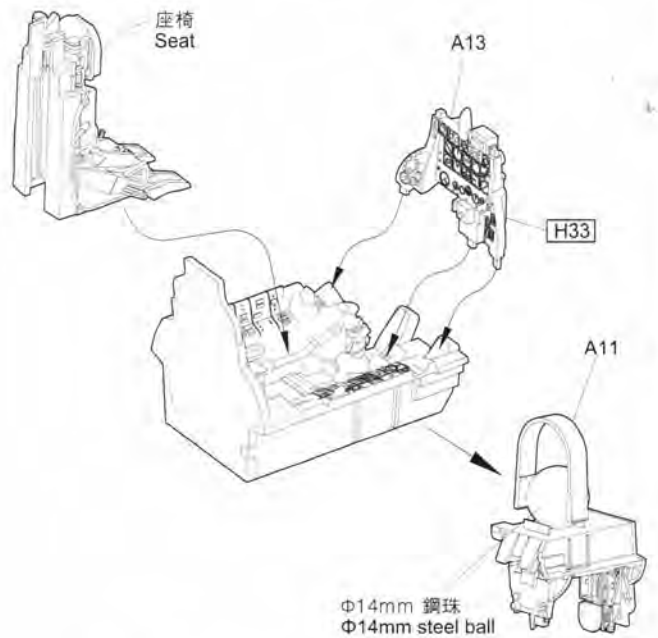
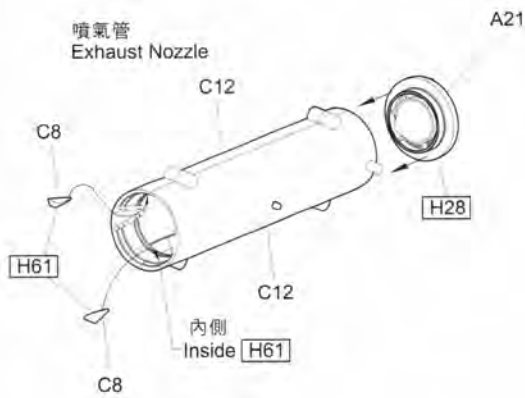
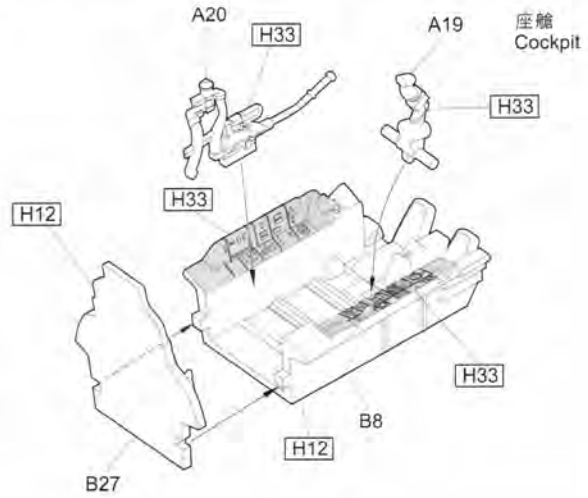
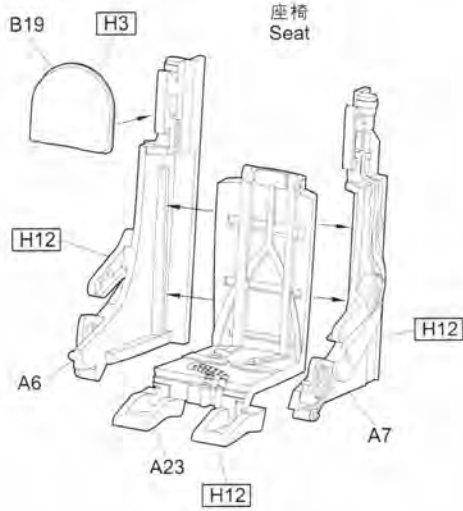
# F-84F Thunderstreak

**KINETIC**  
Model Kits



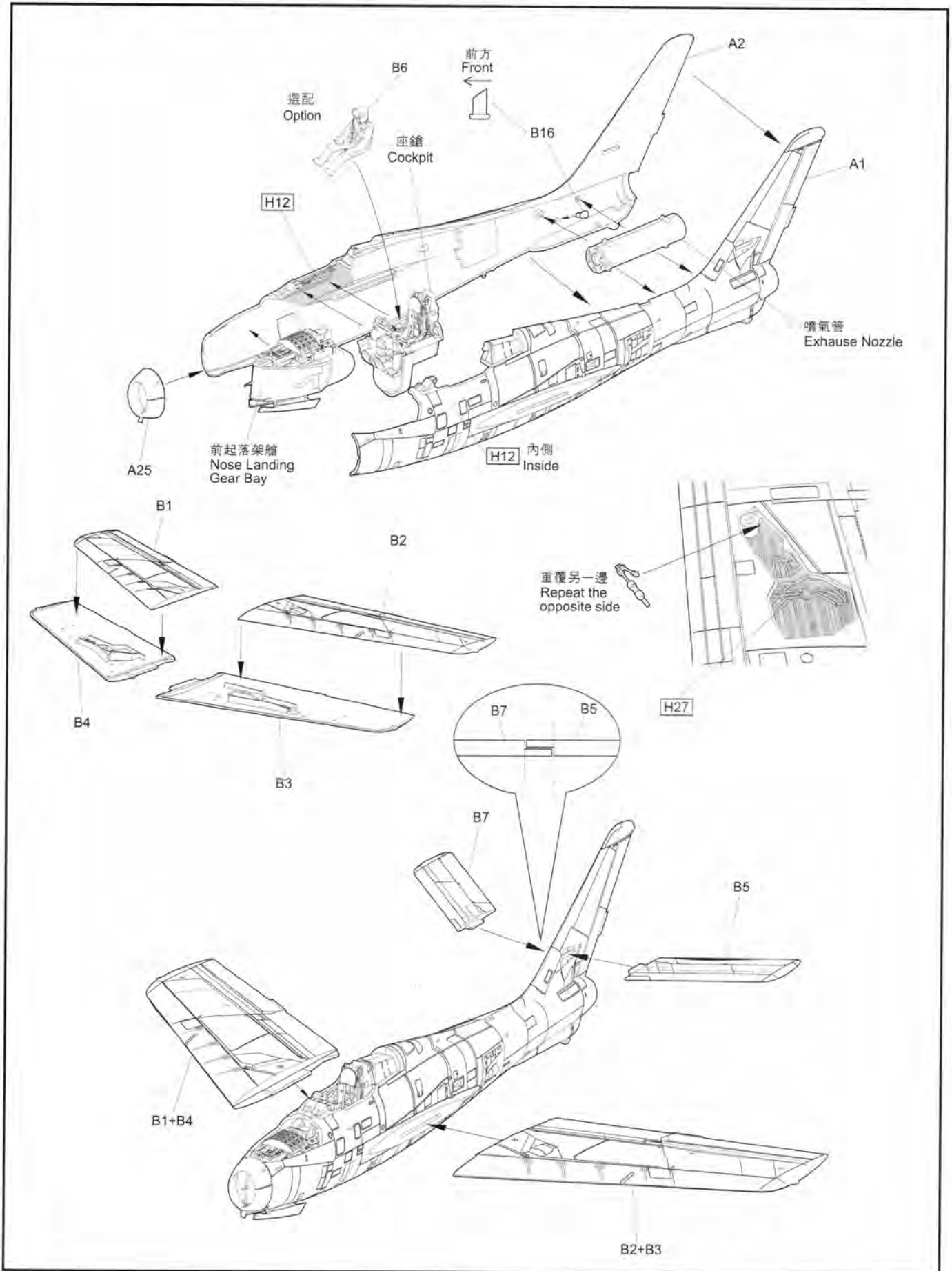
水貼  
Decal X 1  
鋼珠  
Φ14mm Steel Ball X 2

# F-84F Thunderstreak

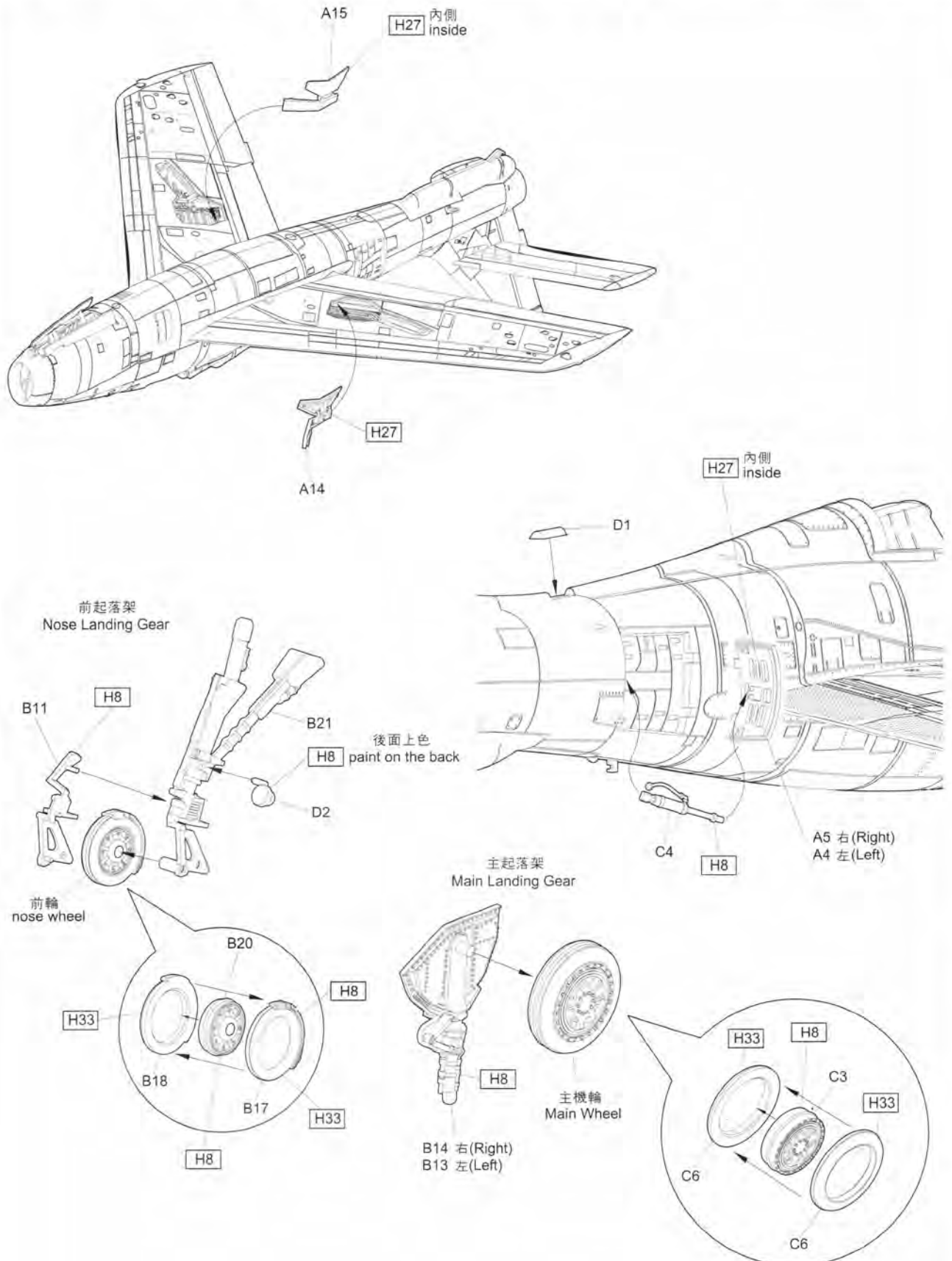


# F-84F Thunderstreak

**KINETIC**  
Model Kits

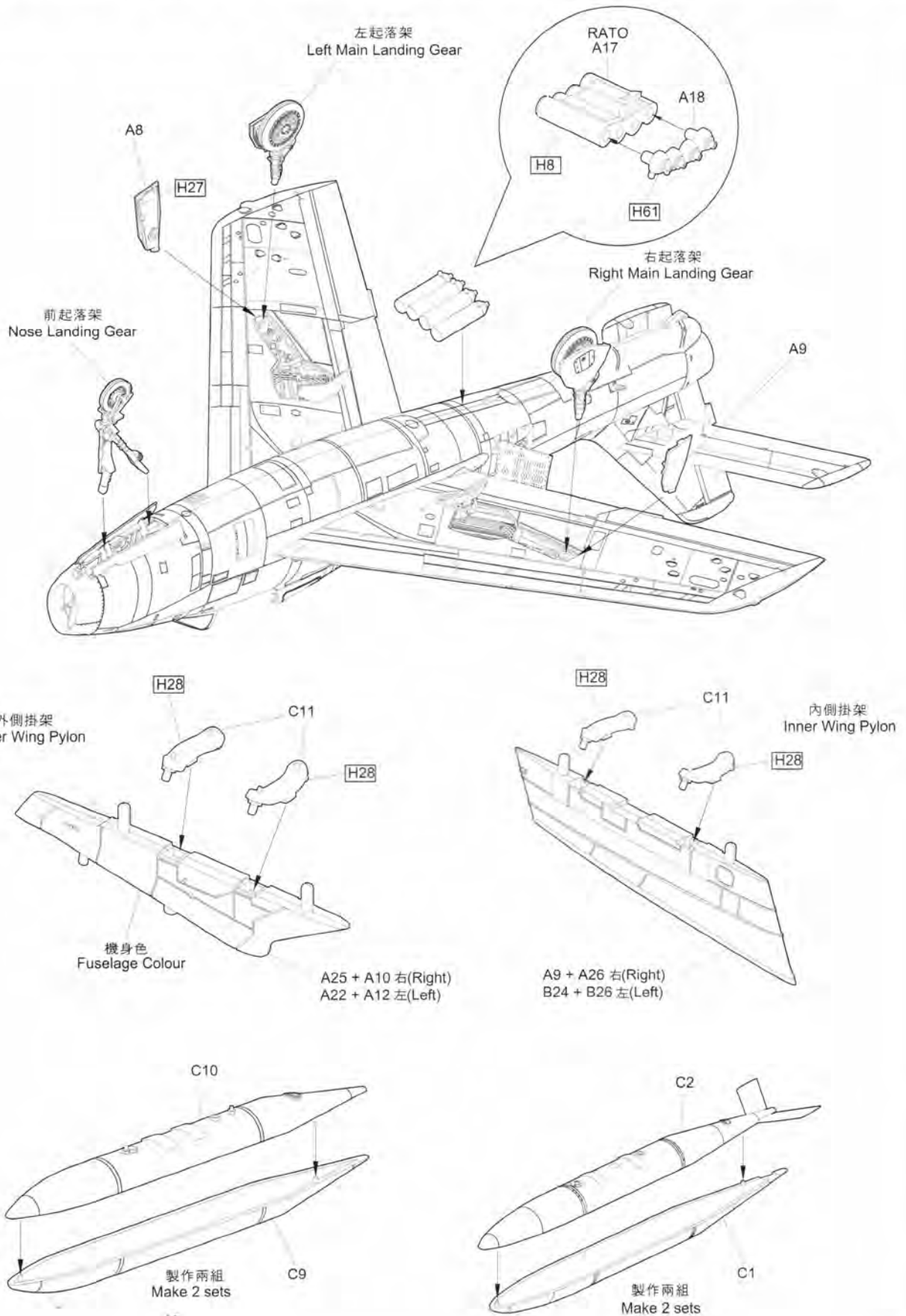


# F-84F Thunderstreak



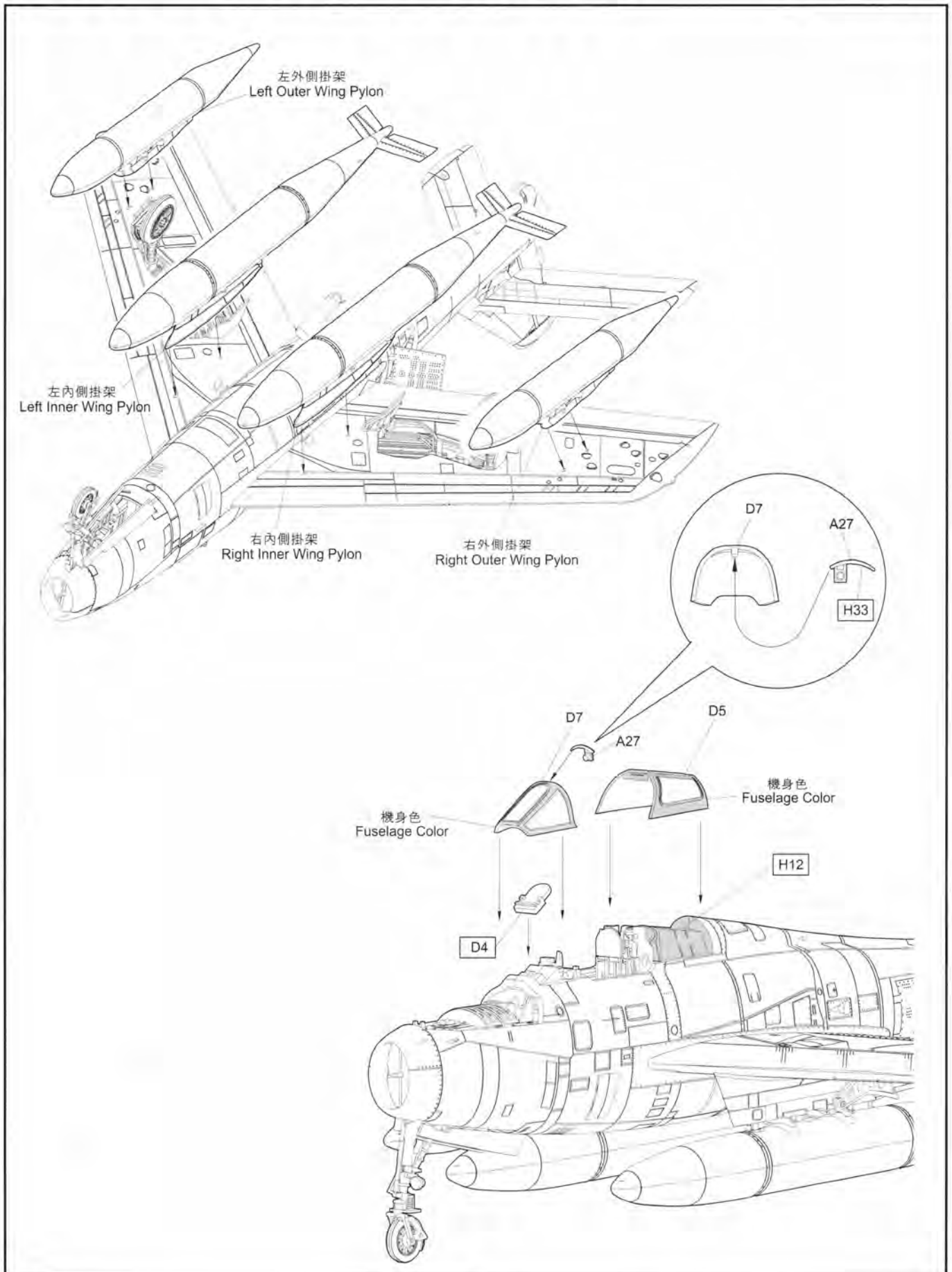


# F-84F Thunderstreak



# F-84F Thunderstreak

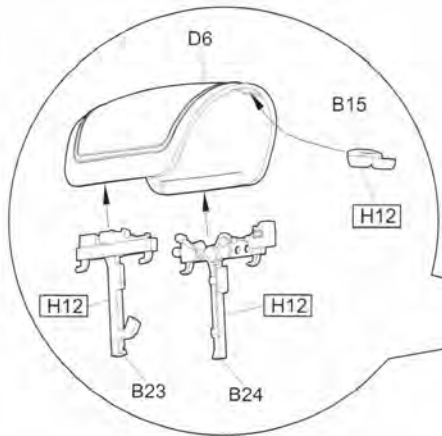
**KINETIC**  
Model Kits



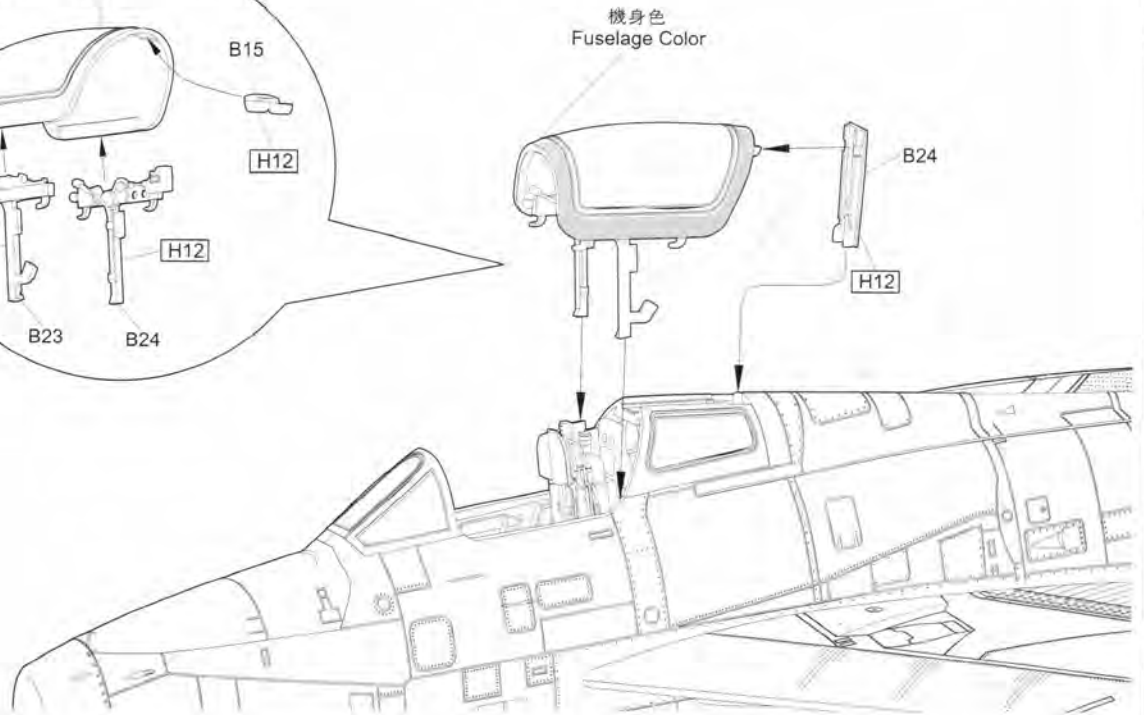
# F-84F Thunderstreak

11000 P T 32

**KINETIC**  
Model Kits



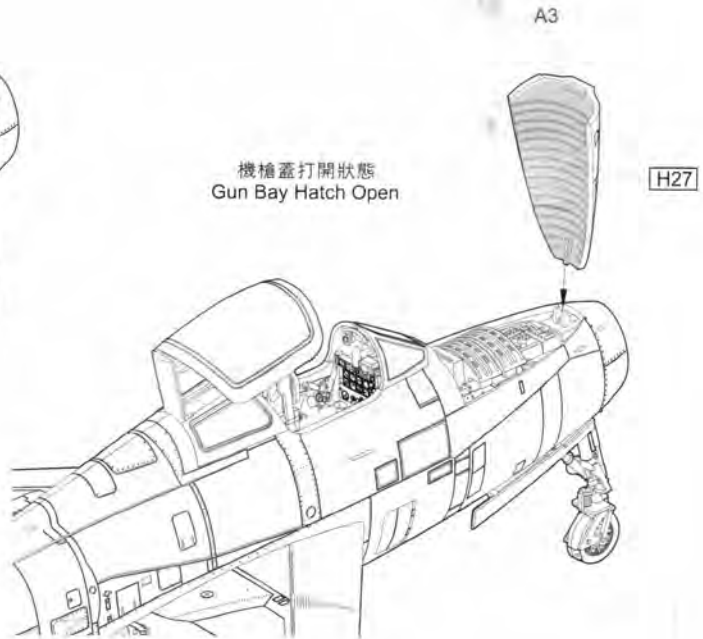
機身色  
Fuselage Color



機槍蓋關閉狀態  
Gun Bay Hatch Closed



機槍蓋打開狀態  
Gun Bay Hatch Open





# USAFJVSU



# U.S. AIR FORCE

# ANG-616



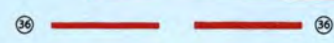
U.S. AIR FORCE A-BAY  
OF RETAIL NO. 11-0005  
SERIES 1-100. STICKER WITH  
GRADE OF APPLICABLE  
IDENTIFICATION LOCATION

U.S. AIR FORCE A-BAY  
OF RETAIL NO. 11-0005  
SERIES 1-100. STICKER WITH  
GRADE OF APPLICABLE  
IDENTIFICATION LOCATION



# MO AIR GUARD 26616

# MO AIR GUARD 26616



Show Me  
Boots II



# ANG-616

# 26368

# 368

# 368

